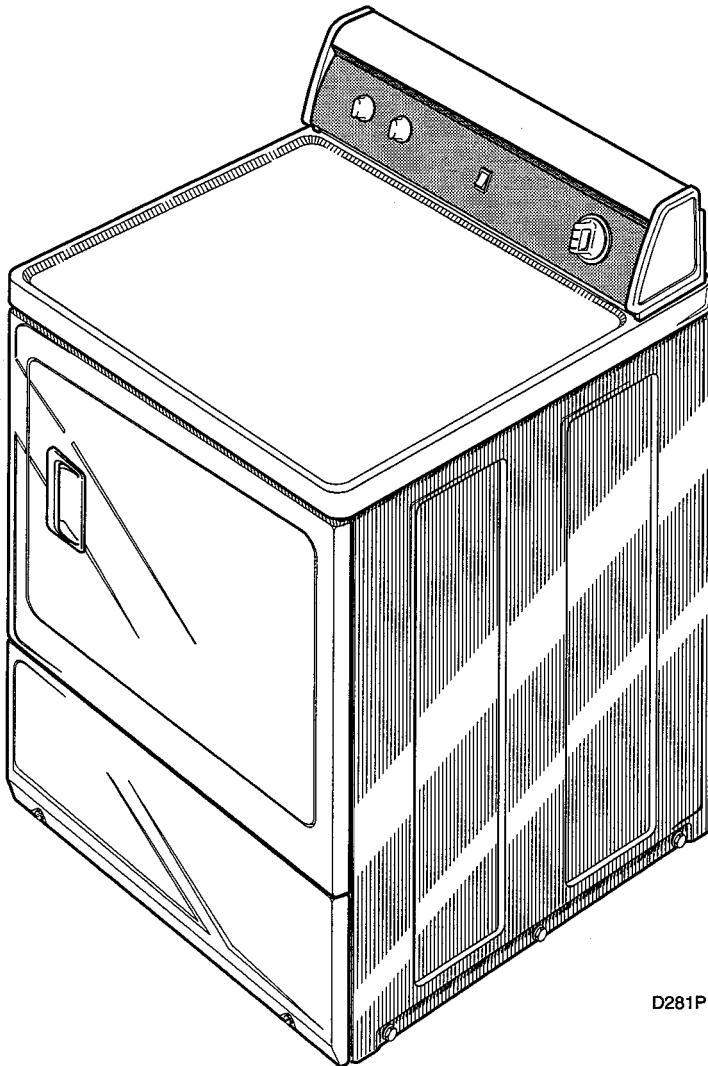


# Service

## Manual for Home Laundry Dryers



D281P

Models and manufacturing numbers in this manual

LEA10AW	PLEA10AW
LEA20AL	PLEA20AL
LEA20AW	PLEA20AW
LEA30AL	PLEA30AL
LEA30AW	PLEA30AW
LEA50AL	PLEA50AL
LEA50AW	PLEA50AW
LEA60AL	PLEA60AL
LEA60AW	PLEA60AW
LEA80AL	PLEA80AL
LEA80AW	PLEA80AW
LEA90AL	PLEA90AL
LEA90AW	PLEA90AW
LEC10AW	PLEC10AW
LEC20AW	PLEC20AW
LEC30AW	PLEC30AW
LEC32AW	PLEC32AW
LEC50AW	PLEC50AW
LEC60AW	PLEC60AW
LEC80AW	PLEC80AW
LEC90AW	PLEC90AW
LED20AW	PLED20AW
LED32AW	PLED32AW
LED57AW	PLED57AW
LED65AW	PLED65AW
LGA10AW	PLGA10AW
LGA20AW	PLGA20AW
LGA30AL	PLGA10AL
LGA30AW	PLGA30AW
LGA50AL	PLGA50AL
LGA50AW	PLGA50AW
LGA60AL	PLGA60AL
LGA60AW	PLGA60AW
LGA80AL	PLGA80AL
LGA80AW	PLGA80AW
LGA90AL	PLGA90AL
LGA90AW	PLGA90AW
LGC20AW	PLGC20AW
LGC50AW	PLGC50AW
LGD20AW	PLGD20AW
LGD32AW	PLGD32AW
LGD57AW	PLGD57AW
LGD65AW	PLGD65AW

This manual is to be used by qualified appliance technicians only. Amana does not assume any responsibility for property damage or personal injury for improper service procedures done by an unqualified person.

**Amana**

RS3200005  
Revision 2  
(504015R2)  
October 1999



# Table of Contents

SECTION 1 – Safety Information .....	1-1	SECTION 5 – Service Procedures	
SECTION 2 – Introduction		1. Control Hood Assembly .....	5-1
Nameplate Location.....	2-1	2. Fluorescent Light Assembly.....	5-1
Model Identification .....	2-1	3. Control Hood End Caps .....	5-1
How Your Dryer Works .....	2-3	4. Graphics Panel.....	5-2
SECTION 3 – Troubleshooting		5. Timer .....	5-2
1. Motor Does Not Run .....	3-1	6. Fabric Selector Switch.....	5-2
2. Unit Stops In Cycle.....	3-2	7. Signal Control.....	5-2
3. Motor Runs But Cylinder Does Not Turn .....	3-2	8. Extended Tumble Switch .....	5-6
4. Motor Does Not Stop.....	3-3	9. Printed Circuit Board.....	5-6
5. Heating Assembly Does Not Heat Or Burner Does Not Ignite.....	3-3	10. Electronic Control .....	5-6
6. Igniter Does Not Glow (Gas Models).....	3-4	11. Lint Filter.....	5-6
7. Burner Ignites And Goes Out Repeatedly (Gas Models).....	3-5	12. Inner And Outer Door Panels And Door Pull .....	5-7
8. Igniter Glows But Burner Does Not Ignite (Gas Models).....	3-5	13. Loading Door and Door Hinge.....	5-7
9. Heater Assembly Or Burner Shuts Off Prematurely .....	3-6	14. Door Strike .....	5-10
10. Heater Assembly Or Burner Repeatedly Cycles Off On Limit Thermostat .....	3-6	15. Door Seal .....	5-10
11. Heater Assembly Or Burner Does Not Shut Off .....	3-7	16. Front Panel And Panel Seal.....	5-11
12. Clothes Do Not Dry .....	3-7	17. Door Switch.....	5-11
13. Signal Does Not Operate Correctly .....	3-8	18. Door Catch .....	5-11
14. Timer Does Not Advance In Automatic Cycle .....	3-8	19. Door Hinge .....	5-13
15. Clothes Are Too Hot When Removed From Dryer .....	3-9	20. Hold-Down Clips And Locators.....	5-13
SECTION 4 – Grounding		21. Burner System Components (Gas Models) .....	5-14
1. Ground Wires From Motor Mounting Bracket To Motor.....	4-1	22. Burner Housing And Heat Shroud (Gas Models) .....	5-16
2. Ground Wires From Terminal Block To Rear Bulkhead And From Rear Bulkhead To Control Housing .....	4-2	23. Limit Thermostat (Gas Models).....	5-16
3. Ground Wires From Power Cord To Rear Bulkhead And From Rear Bulkhead To Control Housing.....	4-2	24. Heating Element (Electric Models).....	5-16
4. Ground Wires From Rear Bulkhead To Timer Mounting Bracket And To Dryer Cabinet Top .....	4-3	25. Thermistor Or Thermostat And Heater .....	5-17
		26. Front Air Duct .....	5-17
		27. Motor And Exhaust Assembly .....	5-18
		28. Cabinet Top .....	5-21
		29. Cylinder Light .....	5-22
		30. Cylinder Light Receptacle.....	5-22
		31. Front Bulkhead Assembly .....	5-23
		32. Moisture Sensor.....	5-24
		33. Cylinder Belt .....	5-25
		34. Cylinder Assembly .....	5-26
		35. Rear Seal.....	5-27

SECTION 5 – Service Procedures, (continued)

36. Cylinder Rollers .....5-29  
 37. Outlet Cover .....5-29  
 38. Rear Bulkhead And Heater Box.....5-30  
 39. Terminal Block Or Power Cord.....5-32  
 40. Terminal Block Terminals .....5-34  
 41. Cabinet .....5-34  
 42. Base.....5-35

SECTION 6 – Adjustments

1. Leveling Legs.....6-1  
 2. Burner Flame (Gas Models).....6-2

SECTION 7 – Test Procedures

1. Drive Motor.....7-1  
 2. Burner System Operation.....7-4  
 3. Electrical Circuit To Ignition System .....7-5  
 4. Gas Valve Coils .....7-6  
 5. Sensor.....7-7  
 6. Igniter .....7-7  
 7. Temperature Switch .....7-7  
 8. Door Switch .....7-8  
 9. Signal Control .....7-8  
 10. Timer Advance And Timer Contact Points .....7-8  
 11. Cycling Or Limit Thermostat.....7-10  
 12. Thermostat Heater.....7-10  
 13. Thermal Fuse (Electric Models) .....7-10  
 14. Heater Assembly (Electric Models).....7-10

SECTION 8 – Service Procedures Unique to Electromechanical Dryers with Moisture Sensor 504175

1. Dryer Operation .....8-1  
 2. Control Replacement.....8-2  
 3. Symptom: Timer Does Not Advance.....8-4  
 4. Symptom: Motor Does Not Stop And Cycle Does Not End.....8-4  
 5. Symptom: Clothes Do Not Dry.....8-5  
 6. Symptom: Machine Stops Prematurely.....8-5  
 7. Symptom: Signal Will Not Operate On One Volume .....8-6  
 8. Symptom: Signal Will Not Operate At All.....8-6

SECTION 9 – Service Procedures Unique To Electronic Control Model Dryers

1. Electrical Service .....9-1  
 2. Grounding Instructions .....9-7  
 3. Symptom: Failure Symptoms .....9-8  
 4. Diagnostic Routine .....9-9  
 5. Symptom: Blown Fuse Or Tripped Circuit Breaker.....9-11  
 6. Symptom: Control Will Not Wake Up After Selection Pad Is Pressed.....9-12  
 7. Symptom: Control Wakes Up But Motor Does Not Start Properly .....9-13  
 8. Symptom: Heater Does Not Turn On Or No Heat.....9-14  
 9. Symptom: Improper Drying Temperature Or Dry Times .....9-15  
 10. Symptom: “oP” Appears In Time Display .....9-17  
 11. Symptom: “SH” Appears In Time Display .....9-18  
 12. Symptom: Dryer Goes Into Cool-Down In About Five Minutes And Load Is Not Dry .....9-19  
 13. Control Replacement .....9-20

SECTION 10 –Internal Wiring Of Dryer Motor Switch ..... 10-1

SECTION 11 – Wiring Diagrams..... 11-1

# SECTION 1

## Safety Information

Throughout this machine and on machine decals, you will find precautionary statements (“CAUTION”, “WARNING”, and “DANGER”) followed by specific instructions. These precautions are intended for the personal safety of the operator, user, servicer, and those maintaining the machine.

### ▲ DANGER

Danger indicates the presence of a hazard that **will** cause **severe** personal injury, death, or substantial property damage if the danger is ignored.

### ▲ WARNING

Warning indicates the presence of a hazard that **can** cause **severe** personal injury, death, or substantial property damage if the warning is ignored.

### ▲ CAUTION

Caution indicates the presence of a hazard that **will** or **can** cause **minor** personal injury or property damage if the caution is ignored.

Additional precautionary statements (“IMPORTANT” and “NOTE”) are followed by specific instructions.


### IMPORTANT

The word “IMPORTANT” is used to inform the reader of specific procedures where minor machine damage will occur if the procedure is not followed.

### NOTE

The word “NOTE” is used to communicate installation, operation, maintenance or servicing information that is important but not hazard related.

In the interest of safety, some general precautions relating to the operation of this machine follow.

	<b>WARNING</b>
<ul style="list-style-type: none"><li>• <b>Failure to install, maintain, and/or operate this product according to the manufacturer’s instructions may result in conditions which can produce serious injury, death and/or property damage.</b></li><li>• <b>Do not repair or replace any part of the product or attempt any servicing unless specifically recommended or published in this Service Manual and that you understand and have the skills to carry out.</b></li><li>• <b>Whenever ground wires are removed during servicing, these ground wires must be reconnected to ensure that the product is properly grounded and to reduce the risk of fire, electric shock, serious injury, or death.</b></li></ul>	
<small>W006</small>	



## WARNING

To reduce the risk of electric shock, fire, explosion, serious injury or death:

- Disconnect electric power to the dryer before servicing.
- Close gas shut-off valve to gas dryer before servicing.
- Never start the dryer with any guards/panels removed.
- Whenever ground wires are removed during servicing, these ground wires must be reconnected to ensure that the dryer is properly grounded.

W001



## WARNING

- Repairs that are made to your products by unqualified persons can result in hazards due to improper assembly or adjustments subjecting you, or the inexperienced person making such repairs, to the risk of serious injury, electrical shock, or death.

W007



## CAUTION

- If you or an unqualified person perform service on your product, you must assume the responsibility for any personal injury or property damage which may result. The manufacturer will not be responsible for any injury or property damage arising from improper service and/or service procedures.

W008

**NOTE:** The WARNINGS and IMPORTANT INSTRUCTIONS appearing in this manual are not meant to cover all possible conditions and situations that may occur. Common sense, caution and care must be exercised when installing, maintaining or operating the dryer.

Always contact your dealer, distributor, service agent or the manufacturer about any problems or conditions you do not understand.

### Locating an Authorized Servicer:

Amana is not responsible for personal injury or property damage resulting from improper service. Review all service information before beginning repairs.

Warranty service must be performed by an authorized technician, using authorized factory parts. If service is required after the warranty expires, Amana also recommends contacting an authorized technician and using authorized factory parts. Locate an authorized technician by calling 800-NATLSVC (800-628-5782).

#### For Assistance Within the U.S.A. Contact:

Consumer Affairs Department  
 Amana  
 2800 220th Trail  
 P.O. Box 8901  
 Amana, IA 52204-0001  
 (319) 622-5511 — Telephone  
 (319) 622-2977 — Facsimile

#### For Assistance Outside the U.S.A. Contact:

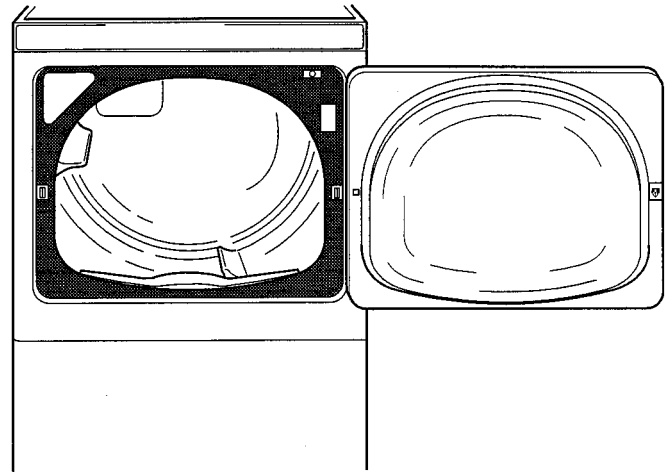
International Division  
 Amana  
 2800 220th Trail  
 P.O. Box 8901  
 Amana, IA 52204-0001  
 (319) 622-5511 — Telephone  
 (319) 622-8595 — Facsimile

# SECTION 2

## Introduction

### Nameplate Location

When calling or writing about your dryer, be sure to mention model, manufacturing and serial numbers. Model, manufacturing and serial numbers are located on nameplate. Nameplate is in one of the four corners of the door well. The doorwell is the shaded area shown.



D294S

### Model Identification

Information in this manual is applicable to these dryer models.

Model Number	Manufacturing Number	Electric Heat	Gas Heat	Timer Model	Electronic Model	Moisture Sensor	Cylinder Light	Cylinder Type
LEA10AW	PLEA10AW	X		X				Painted
LEA20AL	PLEA20AL	X		X				Painted
LEA20AW	PLEA20AW	X		X				Painted
LEA30AL	PLEA10AL	X		X				Painted
LEA30AW	PLEA30AW	X		X				Painted
LEA50AL	PLEA50AL	X		X			X	Painted
LEA50AW	PLEA50AW	X		X			X	Painted
LEA60AL	PLEA60AL	X		X			X	Stainless Steel
LEA60AW	PLEA60AW	X		X			X	Stainless Steel
LEA80AL	PLEA80AL	X		X		X	X	Stainless Steel
LEA80AW	PLEA80AW	X		X		X	X	Stainless Steel
LEA90AL	PLEA90AL	X			X	X	X	Stainless Steel
LEA90AW	PLEA90AW	X			X	X	X	Stainless Steel
LEC10AW	PLEC10AW	X		X				Painted
LEC20AW	PLEC20AW	X		X				Painted
LEC30AW	PLEC30AW	X		X				Painted
LEC32AW	PLEC32AW	X		X				Painted
LEC50AW	PLEC50AW	X		X			X	Painted
LEC60AW	PLEC60AW	X		X			X	Stainless Steel
LEC80AW	PLEC80AW	X		X		X	X	Stainless Steel
LEC90AW	PLEC90AW	X			X	X	X	Stainless Steel

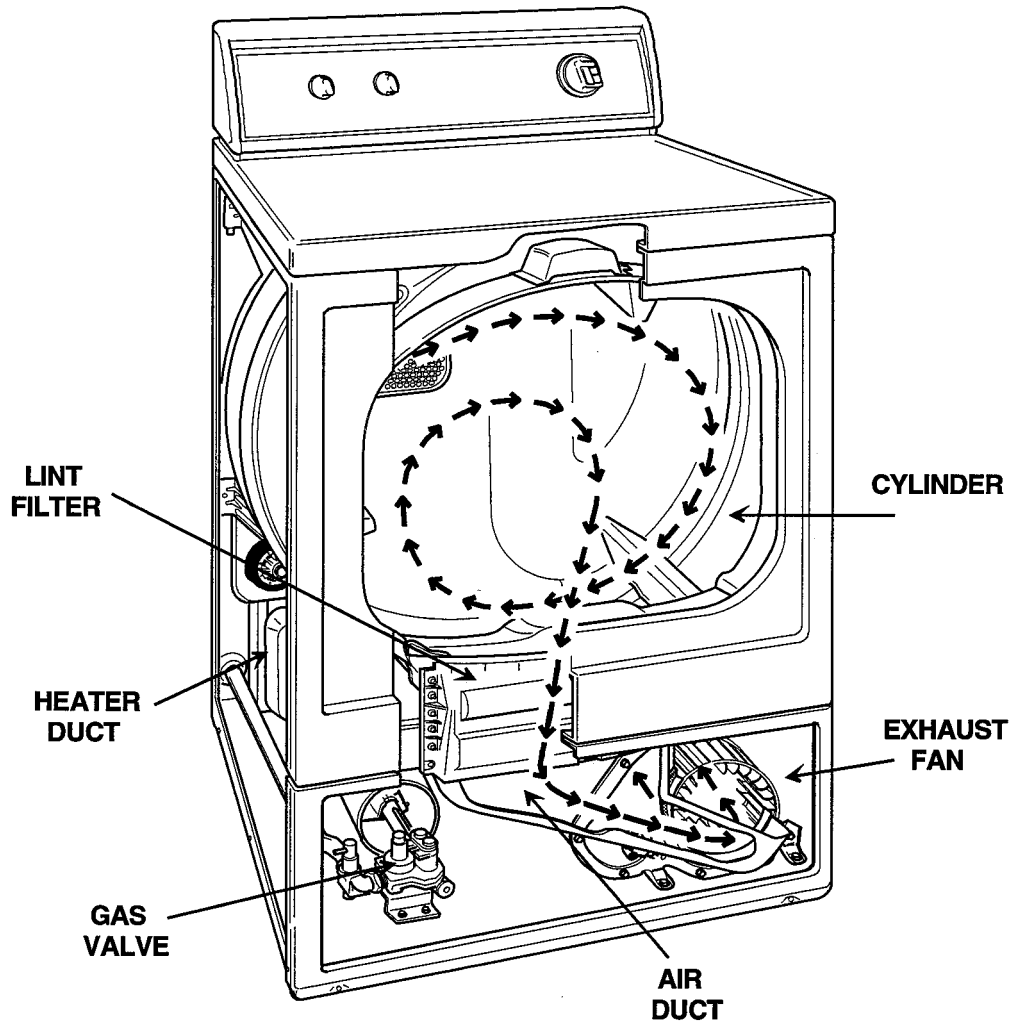
(CONTINUED)

# Model Identification, continued

Model Number	Manufacturing Number	Electric Heat	Gas Heat	Timer Model	Electronic Model	Moisture Sensor	Cylinder Light	Cylinder Type
LED20AW	PLED20AW	X		X				Painted
LED32AW	PLED32AW	X		X				Painted
LED57AW	PLED57AW	X		X			X	Stainless Steel
LED65AW	PLED65AW	X		X		X	X	Painted
LGA10AW	PLEA10AW		X	X				Painted
LGA20AW	PLGA20AW		X	X				Painted
LGA30AL	PLEA10AL		X	X				Painted
LGA30AW	PLEA30AW		X	X				Painted
LGA50AL	PLEA50AL		X	X			X	Painted
LGA50AW	PLEA50AW		X	X			X	Painted
LGA60AL	PLEA60AL		X	X			X	Stainless Steel
LGA60AW	PLEA60AW		X	X			X	Stainless Steel
LGA80AL	PLEA80AL		X	X		X	X	Stainless Steel
LGA80AW	PLEA80AW		X	X		X	X	Stainless Steel
LGA90AL	PLEA90AL		X		X	X	X	Stainless Steel
LGA90AW	PLEA90AW		X		X	X	X	Stainless Steel
LGC20AW	PLGC20AW		X	X				Painted
LGC50AW	PLGC50AW		X	X			X	Painted
LGD20AW	PLGD20AW		X	X				Painted
LGD32AW	PLGD32AW		X	X				Painted
LGD57AW	PLGD57AW		X	X			X	Stainless Steel
LGD65AW	PLGD65AW		X	X		X	X	Painted



# How Your Dryer Works



D282SE3A

The dryer uses heated air to dry loads of laundry. When the motor is started, the exhaust fan pulls room temperature air in through louvers at the rear of the dryer and over the heat source (burner flame for gas and heating element for electric). The heated air moves through the air duct and into the cylinder, where it circulates through the wet load. The air then passes through the lint filter, exhaust fan, and is vented to the outdoors.



# SECTION 3

## Troubleshooting



### WARNING

To reduce the risk of electric shock, fire, explosion, serious injury or death:

- Disconnect electric power to the dryer before servicing.
- Close gas shut-off valve to gas dryer before servicing.
- Never start the dryer with any guards/panels removed.
- Whenever ground wires are removed during servicing, these ground wires must be reconnected to ensure that the dryer is properly grounded.

W001

**IMPORTANT:** Refer to appropriate Model Wiring Diagram for aid in testing dryer components.

#### 1. MOTOR DOES NOT RUN

POSSIBLE CAUSE	TO CORRECT
Electrical power off, fuse blown, or power cord not plugged in.	<ul style="list-style-type: none"> <li>• Check laundry room for blown or loose fuse(s), or open circuit breaker(s). The gas dryer itself does not have an electrical fuse.</li> <li>• Check both fuses on electric models.</li> </ul>
Loading door not closed or inoperative door switch.	<ul style="list-style-type: none"> <li>• Close door or test switch and replace if inoperative.</li> </ul>
Timer improperly set.	<ul style="list-style-type: none"> <li>• Reset timer, or try another cycle.</li> </ul>
Inoperative timer.	<ul style="list-style-type: none"> <li>• Test timer and replace if inoperative.</li> </ul>
Motor starting functions inoperative. Doesn't start, or motor just hums.	<ul style="list-style-type: none"> <li>• Refer to SECTION 7, paragraph 1 to check start switch and start windings.</li> </ul>
Motor is dead, won't run.	<ul style="list-style-type: none"> <li>• Refer to SECTION 7, paragraph 1 to check start switch, start windings, and main windings.</li> </ul>
Motor overload protector has cycled.	<ul style="list-style-type: none"> <li>• Wait two or three minutes for overload protector to reset. If protector cycles repeatedly, refer to SECTION 3, paragraph 2.</li> </ul>
Motor centrifugal switch sticky or plugged with lint.	<ul style="list-style-type: none"> <li>• Remove dust or lint and spray with "SLYDE," No. 131P4, to clean and lubricate.</li> </ul>
Bind in motor bearing.	<ul style="list-style-type: none"> <li>• Remove belts and determine if motor shaft will spin.</li> <li>• Replace motor if shaft is locked up.</li> </ul>
Loose motor wire harness connection block.	<ul style="list-style-type: none"> <li>• Firmly press connection block onto motor switch.</li> </ul>
Broken, loose, or incorrect wiring.	<ul style="list-style-type: none"> <li>• Refer to appropriate wiring diagram in SECTION 11.</li> </ul>
Power cord is miswired.	<ul style="list-style-type: none"> <li>• Refer to appropriate wiring diagram for the correct wiring. Refer to SECTION 11.</li> </ul>
Inoperative electronic control.	<ul style="list-style-type: none"> <li>• Refer to SECTION 9 to check out the electronic control operation.</li> </ul>

\* Mechanical Timer Models only

† Electronic Control Models only



## WARNING

To reduce the risk of electric shock, fire, explosion, serious injury or death:

- Disconnect electric power to the dryer before servicing.
- Close gas shut-off valve to gas dryer before servicing.
- Never start the dryer with any guards/panels removed.
- Whenever ground wires are removed during servicing, these ground wires must be reconnected to ensure that the dryer is properly grounded.

W001

### 2. UNIT STOPS IN CYCLE; QUILTS AFTER A COUPLE LOADS; HAS A BURNING SMELL; CYCLES ON MOTOR THERMAL PROTECTOR

POSSIBLE CAUSE	TO CORRECT
Incorrect Voltage.	<ul style="list-style-type: none"> <li>• See nameplate in door well for correct voltage.</li> <li>• Refer to INSTALLATION INSTRUCTIONS (supplied with dryer) for electrical requirements.</li> </ul>
Clothes load too large.	<ul style="list-style-type: none"> <li>• Remove part of load. A normal washer load is a normal dryer load. Maximum load: dryer cylinder one half full of wet clothes.</li> </ul>
Clothes cylinder is binding.	<ul style="list-style-type: none"> <li>• Check cylinder for binding and "out of round" condition.</li> <li>• Check front and rear bulkheads for warping.</li> <li>• Check support rollers for binding.</li> <li>• Check cylinder seals and glides for wear or damage.</li> <li>• Check for clothes lodged between cylinder baffle and bulkhead.</li> </ul>
Broken, loose or incorrect wiring.	<ul style="list-style-type: none"> <li>• Refer to appropriate wiring diagram in SECTION 11.</li> </ul>
Motor switch functions inoperative. Short in motor winding.	<ul style="list-style-type: none"> <li>• Refer to SECTION 7, paragraph 1 to check switch and windings.</li> </ul>

### 3. MOTOR RUNS BUT CYLINDER DOES NOT TURN

POSSIBLE CAUSE	TO CORRECT
Motor drive pulley loose.	<ul style="list-style-type: none"> <li>• Tighten pulley.</li> </ul>
Belt not installed on pulley.	<ul style="list-style-type: none"> <li>• Install belt. Refer to SECTION 5, paragraph 18.</li> </ul>
Broken cylinder belt.	<ul style="list-style-type: none"> <li>• Replace belt.</li> </ul>
Clothes cylinder is binding.	<ul style="list-style-type: none"> <li>• Check cylinder for binding and "out of round" condition.</li> <li>• Check front and rear bulkheads for warping.</li> <li>• Check cylinder rollers for binding.</li> <li>• Check cylinder seals and glides for wear or damage.</li> </ul>
Broken, weak or disconnected idler lever spring.	<ul style="list-style-type: none"> <li>• Replace or reconnect spring. Refer to section 5, paragraph 18.</li> </ul>
Belt routed on wrong side of idler lever.	<ul style="list-style-type: none"> <li>• Reroute belt. Refer to SECTION 5, paragraph 18.</li> </ul>
Oil on cylinder.	<ul style="list-style-type: none"> <li>• Wipe oil from cylinder.</li> </ul>
Belt is "inside out."	<ul style="list-style-type: none"> <li>• Reinstall belt with ribbed surface against cylinder.</li> </ul>
Idler arm is binding.	<ul style="list-style-type: none"> <li>• Add grease between idler arm and motor mount.</li> <li>• Replace idler arm and bolt if needed.</li> </ul>
Dryer is overloaded.	<ul style="list-style-type: none"> <li>• Load dryer half full of laundry.</li> </ul>
Wrong motor.	<ul style="list-style-type: none"> <li>• Refer to Parts manual for proper motor part number.</li> </ul>
Wrong belt used on dryer.	<ul style="list-style-type: none"> <li>• Check belt part number against correct part number in the Parts manual.</li> <li>• Replace belt if needed.</li> </ul>
Bent idler arm.	<ul style="list-style-type: none"> <li>• Replace idler arm.</li> </ul>



## WARNING

To reduce the risk of electric shock, fire, explosion, serious injury or death:

- Disconnect electric power to the dryer before servicing.
- Close gas shut-off valve to gas dryer before servicing.
- Never start the dryer with any guards/panels removed.
- Whenever ground wires are removed during servicing, these ground wires must be reconnected to ensure that the dryer is properly grounded.

W001

### 4. MOTOR DOES NOT STOP

POSSIBLE CAUSE	TO CORRECT
Incorrect wiring to motor switch.	• Refer to appropriate wiring diagram in SECTION 11.
Motor centrifugal switch sticky or plugged with lint.	• Remove dust or lint and spray with "SLYDE," No. 131P4, to clean and lubricate.
Inoperative door switch.	• Test switch and replace if inoperative.
*Inoperative timer – nonmetered models.	• Test timer and replace if inoperative.
†Inoperative electronic control.	• Refer to SECTION 9 to check out the electronic control operation.
Inoperative moisture sensing control.	• Refer to SECTION 8 to check out the moisture sensing control operation.

\* Mechanical Timer Models only

† Electronic Control Models only

### 5. HEATING ASSEMBLY DOES NOT HEAT OR BURNER DOES NOT IGNITE

POSSIBLE CAUSE	TO CORRECT
Improper or inadequate exhaust system.	• See INSTALLATION INSTRUCTIONS (supplied with dryer) for exhaust requirements.
Use of plastic or thin foil exhaust duct.	• Replace with solid or rigid flexible metal exhaust duct.
Blown house fuse or tripped circuit breaker.	• Check fuses or circuit breakers. A 240 Volt dryer has two fuses. Make sure both fuses are good.
*Temperature selector switch set at FLUFF, or inoperative.	• Reset or test switch and replace if inoperative.
*Timer improperly set (set in a cool-down period, or a no heat cycle).	• Reset timer. Try another cycle.
Inoperative limit thermostat.	• Test thermostat and replace if inoperative.
Electric Models: Inoperative heater assembly.	• Test heater assembly and replace if cold Ohms do not read between 9 and 10.5 Ohms.
Gas Models: Insufficient gas supply.	• Check gas shut-off valve in dryer and main gas line valve. • Open partially closed gas shut-off valve, or correct low gas pressure.
Inoperative drive motor switch.	• Test switch and replace if inoperative.
Gas Models: Inoperative gas valve coils.	• Test coils and replace if inoperative. Refer to SECTION 7, paragraph 4.
Gas Models: Inoperative flame sensor.	• Test flame sensor and replace if inoperative. Refer to SECTION 7, paragraph 5.
Gas Models: Inoperative igniter.	• Test igniter and replace if inoperative. Refer to SECTION 7, paragraph 6.

**(CONTINUED)**



## WARNING

To reduce the risk of electric shock, fire, explosion, serious injury or death:

- Disconnect electric power to the dryer before servicing.
- Close gas shut-off valve to gas dryer before servicing.
- Never start the dryer with any guards/panels removed.
- Whenever ground wires are removed during servicing, these ground wires must be reconnected to ensure that the dryer is properly grounded.

W001

### 5. HEATING ASSEMBLY DOES NOT HEAT OR BURNER DOES NOT IGNITE (cont.)

POSSIBLE CAUSE	TO CORRECT
Gas Models: Harness not properly connected to gas controls.	<ul style="list-style-type: none"> <li>• Check harness connections to gas valve coils, sensor and main harness.</li> <li>• Reconnect as required.</li> </ul>
Gas Models: Restricted gas flow in gas orifice.	<ul style="list-style-type: none"> <li>• Clean out gas orifice.</li> </ul>
Electric Models: Inoperative thermal fuse.	<ul style="list-style-type: none"> <li>• Test thermal fuse and replace if inoperative.</li> </ul>
*Inoperative cycling thermostat.	<ul style="list-style-type: none"> <li>• Test thermostat and replace if inoperative.</li> </ul>
*Inoperative timer.	<ul style="list-style-type: none"> <li>• Test timer and replace if inoperative.</li> </ul>
†Inoperative electronic control.	<ul style="list-style-type: none"> <li>• Refer to SECTION 9 to check out the electronic control operation.</li> </ul>
†Read-out on electronic control indicates "SH."	<ul style="list-style-type: none"> <li>• Thermistor is shorted. Replace thermistor.</li> </ul>
†Read-out on electronic control indicates "OP."	<ul style="list-style-type: none"> <li>• Thermistor is open. Replace thermistor.</li> </ul>
Broken, loose, or incorrect wiring.	<ul style="list-style-type: none"> <li>• Refer to appropriate wiring diagram.</li> </ul>
Inoperative moisture sensing control.	<ul style="list-style-type: none"> <li>• Refer to SECTION 8 to check out the moisture sensing control.</li> </ul>

\* Mechanical Timer Models only

† Electronic Control Models only

### 6. IGNITER DOES NOT GLOW (gas supply sufficient) – GAS MODELS

POSSIBLE CAUSE	TO CORRECT
*No power to power leads on valve.	<ul style="list-style-type: none"> <li>• Check timer, selector switch, thermostats, motor switch, and wiring.</li> </ul>
Flame sensor failed with contacts open.	<ul style="list-style-type: none"> <li>• Replace flame sensor.</li> </ul>
Igniter broken or open.	<ul style="list-style-type: none"> <li>• Replace igniter.</li> </ul>
†Inoperative electronic control.	<ul style="list-style-type: none"> <li>• Refer to SECTION 9 to check out the electronic control operation.</li> </ul>
†Inoperative moisture sensing control.	<ul style="list-style-type: none"> <li>• Refer to SECTION 8 to check out the moisture sensing control.</li> </ul>

\* Mechanical Timer Models only

† Electronic Control Models only



## WARNING

To reduce the risk of electric shock, fire, explosion, serious injury or death:

- Disconnect electric power to the dryer before servicing.
- Close gas shut-off valve to gas dryer before servicing.
- Never start the dryer with any guards/panels removed.
- Whenever ground wires are removed during servicing, these ground wires must be reconnected to ensure that the dryer is properly grounded.

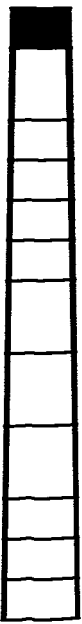
W001

### 7. BURNER IGNITES AND GOES OUT REPEATEDLY – GAS MODELS

POSSIBLE CAUSE	TO CORRECT
Improper or inadequate exhaust system. Weather hood flapper restricted.	<ul style="list-style-type: none"> <li>• See INSTALLATION INSTRUCTIONS (supplied with dryer) for exhaust requirements.</li> </ul>
Burner heat not holding flame sensor contacts open.	<ul style="list-style-type: none"> <li>• Replace flame sensor, or correct gas supply problem.</li> </ul>
Insufficient gas supply.	<ul style="list-style-type: none"> <li>• Check gas supply and pressure.</li> <li>• Make sure gas shut-off valve is turned on.</li> </ul>
Cracked igniter.	<ul style="list-style-type: none"> <li>• Replace igniter and bracket.</li> </ul>
Inoperative or intermittent gas valve coils.	<ul style="list-style-type: none"> <li>• Check and replace appropriate coil. Refer to SECTION 7, paragraph 4.</li> </ul>

### 8. IGNITER GLOWS BUT BURNER DOES NOT IGNITE – GAS MODELS

POSSIBLE CAUSE	TO CORRECT
Flame sensor failed in closed position.	<ul style="list-style-type: none"> <li>• Replace flame sensor.</li> </ul>
Open secondary coil or holding coil.	<ul style="list-style-type: none"> <li>• Replace gas valve (in-warranty), or replace coils (out-of-warranty). Refer to SECTION 7, paragraph 4.</li> </ul>
Insufficient gas supply.	<ul style="list-style-type: none"> <li>• Check gas supply and pressure.</li> <li>• Make sure gas shut-off valve is turned on.</li> </ul>
Igniter and bracket installed improperly on burner tube assembly.	<ul style="list-style-type: none"> <li>• Loosen screw and properly position igniter and bracket on burner tube assembly.</li> </ul>
Flame sensor installed improperly on burner housing.	<ul style="list-style-type: none"> <li>• Loosen screw and properly position the flame sensor on the burner housing.</li> </ul>







## WARNING

To reduce the risk of electric shock, fire, explosion, serious injury or death:

- Disconnect electric power to the dryer before servicing.
- Close gas shut-off valve to gas dryer before servicing.
- Never start the dryer with any guards/panels removed.
- Whenever ground wires are removed during servicing, these ground wires must be reconnected to ensure that the dryer is properly grounded.

W001

### 9. HEATER ASSEMBLY OR BURNER SHUTS OFF PREMATURELY

POSSIBLE CAUSE	TO CORRECT
Improper or inadequate exhaust system. Weather hood flapper restricted.	<ul style="list-style-type: none"> <li>• See INSTALLATION INSTRUCTIONS (supplied with dryer) for exhaust requirements.</li> </ul>
Gas Models: Insufficient gas supply.	<ul style="list-style-type: none"> <li>• Check main gas line shut-off valve.</li> <li>• Open partially closed gas shut-off valve, or correct low pressure.</li> </ul>
Gas Models: Dryer not properly equipped for type of gas used.	<ul style="list-style-type: none"> <li>• Refer to "Gas Burner Conversion Procedures" supplied in gas burner conversion kit.</li> </ul>
Gas Models: Improperly adjusted burner flame.	<ul style="list-style-type: none"> <li>• Adjust flame. Refer to SECTION 6, paragraph 2.</li> </ul>
Cycling off on limit thermostat.	<ul style="list-style-type: none"> <li>• Momentarily connect a jumper wire across thermostat terminals. If heater element heats or burner ignites when jumper wire is connected, refer to SECTION 3, paragraph 8.</li> </ul>
Gas models: Flame sensor contact closing	<ul style="list-style-type: none"> <li>• Replace flame sensor or adjust burner flame. Refer to SECTION 6, paragraph 2.</li> </ul>
*Inoperative cycling thermostat.	<ul style="list-style-type: none"> <li>• Test thermostat and replace if inoperative.</li> </ul>
*Inoperative timer.	<ul style="list-style-type: none"> <li>• Test timer and replace if inoperative.</li> </ul>
Broken, loose, or incorrect wiring.	<ul style="list-style-type: none"> <li>• Refer to appropriate wiring diagram in SECTION 11.</li> </ul>
†Inoperative electronic control.	<ul style="list-style-type: none"> <li>• Refer to SECTION 9 to check out the electronic control operation.</li> </ul>
Inoperative moisture sensing control.	<ul style="list-style-type: none"> <li>• Refer to SECTION 8 to check out the moisture sensing control.</li> </ul>

### 10. HEATER ASSEMBLY OR BURNER REPEATEDLY CYCLES OFF ON LIMIT THERMOSTAT

POSSIBLE CAUSE	TO CORRECT
External exhaust system longer or providing greater restriction than recommended.	<ul style="list-style-type: none"> <li>• Refer to INSTALLATION INSTRUCTIONS (supplied with dryer) for exhaust system requirements.</li> </ul>
Use of plastic or thin foil exhaust duct.	<ul style="list-style-type: none"> <li>• Replace with solid or rigid flexible metal exhaust duct.</li> </ul>
Clogged lint filter.	<ul style="list-style-type: none"> <li>• Clean lint filter.</li> </ul>
Lint in internal dryer ductwork.	<ul style="list-style-type: none"> <li>• Disassemble dryer ductwork and clean.</li> </ul>
Lint or other obstruction in external exhaust system.	<ul style="list-style-type: none"> <li>• Disassemble and clean exhaust system.</li> </ul>
Hinged damper on exhaust system weather hood not free to open.	<ul style="list-style-type: none"> <li>• Free hinged damper or replace weather hood</li> </ul>
*Limit thermostat cycling at too low a temperature.	<ul style="list-style-type: none"> <li>• Replace thermostat. Refer to SECTION 5, paragraph 23.</li> </ul>
Air leak around loading door. (Door not sealing due to damaged seal or inoperative door catch.)	<ul style="list-style-type: none"> <li>• Replace seal or catch.</li> </ul>
†Inoperative thermistor.	<ul style="list-style-type: none"> <li>• Test thermistor and replace if inoperative.</li> </ul>
Air leak at blower seal.	<ul style="list-style-type: none"> <li>• Check and replace seal if necessary.</li> </ul>
Air leak at cylinder seal(s).	<ul style="list-style-type: none"> <li>• Check and replace seal(s) if necessary.</li> </ul>

\* Mechanical Timer Models only

† Electronic Control Models only



## WARNING

To reduce the risk of electric shock, fire, explosion, serious injury or death:

- Disconnect electric power to the dryer before servicing.
- Close gas shut-off valve to gas dryer before servicing.
- Never start the dryer with any guards/panels removed.
- Whenever ground wires are removed during servicing, these ground wires must be reconnected to ensure that the dryer is properly grounded.

W001

### 11. HEATER ASSEMBLY OR BURNER DOES NOT SHUT OFF

POSSIBLE CAUSE	TO CORRECT
Improper motor switch. (Timer must be in a heat setting.)	<ul style="list-style-type: none"> <li>• Test switch and replace if inoperative.</li> </ul>
Motor does not stop.	<ul style="list-style-type: none"> <li>• Refer to SECTION 3, paragraph 4.</li> </ul>
Incorrect wiring.	<ul style="list-style-type: none"> <li>• Refer to appropriate wiring diagram in SECTION 11.</li> </ul>
Heater assembly shorted.	<ul style="list-style-type: none"> <li>• Remove heater assembly and check for short.</li> </ul>

### 12. CLOTHES DO NOT DRY

POSSIBLE CAUSE	TO CORRECT
Heater assembly does not heat or burner does not ignite.	<ul style="list-style-type: none"> <li>• Refer to SECTION 3, paragraph 5.</li> </ul>
Too much water in articles being dried.	<ul style="list-style-type: none"> <li>• Remove excess water.</li> </ul>
Clothes load too large.	<ul style="list-style-type: none"> <li>• Remove part of load. A normal washer load is a normal dryer load. Maximum load: Dryer cylinder one half full of wet clothes.</li> </ul>
Excessive lint on lint filter.	<ul style="list-style-type: none"> <li>• Clean lint filter.</li> </ul>
Load too small.	<ul style="list-style-type: none"> <li>• Add one or two bath towels to load.</li> </ul>
Automatic cycle.	<ul style="list-style-type: none"> <li>• Adjust timer knob to More Dry setting.</li> </ul>
Heat selector switch or timer set on FLUFF or inoperative.	<ul style="list-style-type: none"> <li>• Reset switch or timer, or test and replace the switch or timer if inoperative.</li> </ul>
Improper or inadequate exhaust system.	<ul style="list-style-type: none"> <li>• See INSTALLATION INSTRUCTIONS (supplied with dryer) for exhaust requirements.</li> </ul>
Heater assembly or burner shuts off prematurely.	<ul style="list-style-type: none"> <li>• Refer to SECTION 3, paragraph 9.</li> </ul>
Gas Models: Gas line pressure too high or too low.	<ul style="list-style-type: none"> <li>• If Natural Gas line pressure to dryer exceeds 8 inch water column pressure, or is lower than 4 inch water column, ask Gas Company to correct.</li> </ul>
Inoperative moisture sensing control.	<ul style="list-style-type: none"> <li>• Refer to SECTION 8 to check out the moisture sensing control.</li> </ul>
Improper belt installation (Low RPM).	<ul style="list-style-type: none"> <li>• Check for proper installation. Refer to SECTION 5.</li> </ul>



# WARNING

To reduce the risk of electric shock, fire, explosion, serious injury or death:

- Disconnect electric power to the dryer before servicing.
- Close gas shut-off valve to gas dryer before servicing.
- Never start the dryer with any guards/panels removed.
- Whenever ground wires are removed during servicing, these ground wires must be reconnected to ensure that the dryer is properly grounded.

W001

## 13. SIGNAL DOES NOT OPERATE CORRECTLY

POSSIBLE CAUSE	TO CORRECT
Inoperative moisture sensing control.	<ul style="list-style-type: none"> <li>• Refer to SECTION 8 to check out the moisture sensing control.</li> </ul>

## 14. TIMER DOES NOT ADVANCE IN AUTOMATIC CYCLE (MECHANICAL TIMER MODELS ONLY)

POSSIBLE CAUSE	TO CORRECT
Inoperative cycling thermostat	<ul style="list-style-type: none"> <li>• Test thermostat and replace if inoperative.</li> </ul>
Inoperative resistor (Electric Models)	<ul style="list-style-type: none"> <li>• Test resistor and replace if inoperative.</li> </ul>
Heater assembly does not heat or burner does not ignite.	<ul style="list-style-type: none"> <li>• Refer to SECTION 3, paragraph 5.</li> </ul>
Heater assembly or burner cycles off prematurely.	<ul style="list-style-type: none"> <li>• Refer to SECTION 3, paragraph 9.</li> </ul>
Improper or inadequate exhaust system.	<ul style="list-style-type: none"> <li>• Refer to INSTALLATION INSTRUCTIONS (supplied with dryer) for exhaust requirements.</li> </ul>
*Drying large load.	<ul style="list-style-type: none"> <li>• Timer will not advance until the load is almost dry.</li> </ul>
Broken, loose or incorrect wiring.	<ul style="list-style-type: none"> <li>• Refer to appropriate wiring diagram in SECTION 11.</li> </ul>
Timer motor is inoperative.	<ul style="list-style-type: none"> <li>• Select a drying cycle and activate start switch.</li> <li>• Rotate timer knob until signal sounds.</li> <li>• Release timer knob.</li> <li>• Signal should stop within ten minutes. If not, replace timer.</li> <li>• Refer to SECTION 7, paragraph 10.</li> </ul>
Inoperative seals (air leaks).	<ul style="list-style-type: none"> <li>• Check and replace any inoperative seals in the following areas:               <ol style="list-style-type: none"> <li>1. Seal between loading door and front panel.</li> <li>2. Seal between front panel and front bulkhead.</li> <li>3. Seal between blower cover and air duct.</li> <li>4. Seal between cylinder and front or rear bulkhead.</li> <li>5. Seal between upper and lower air ducts.</li> </ol> </li> </ul>
Inoperative moisture sensing control.	<ul style="list-style-type: none"> <li>• Refer to SECTION 8 to check out the moisture sensing control.</li> </ul>

\* Mechanical Timer Models only

† Electronic Control Models only



## WARNING

To reduce the risk of electric shock, fire, explosion, serious injury or death:

- Disconnect electric power to the dryer before servicing.
- Close gas shut-off valve to gas dryer before servicing.
- Never start the dryer with any guards/panels removed.
- Whenever ground wires are removed during servicing, these ground wires must be reconnected to ensure that the dryer is properly grounded.

W001

### 15. CLOTHES ARE TOO HOT WHEN REMOVED FROM DRYER

POSSIBLE CAUSE	TO CORRECT
Improper or inadequate exhaust system.	<ul style="list-style-type: none"><li>• Refer to INSTALLATION INSTRUCTIONS (supplied with dryer for exhaust requirements.</li></ul>
Clothes are removed from dryer before cycle has completed.	<ul style="list-style-type: none"><li>• Allow the dryer to complete the cycle through the cool-down to the OFF position.</li></ul>
Inoperative cycling thermostat. Inoperative thermostat heater on the DELICATE setting.	<ul style="list-style-type: none"><li>• Test cycling thermostat or thermostat heater and replace if inoperative.</li></ul>
Inoperative timer (not allowing cool-down).	<ul style="list-style-type: none"><li>• Test timer and replace if inoperative.</li></ul>
Inoperative seals (air leaks).	<ul style="list-style-type: none"><li>• Check and replace any inoperative seals in the following areas:<ol style="list-style-type: none"><li>1. Seal between loading door and front panel.</li><li>2. Seal between front panel and front bulkhead.</li><li>3. Seal between blower cover and air duct.</li><li>4. Seal between cylinder and front or rear bulkhead.</li><li>5. Seal between upper and lower air ducts.</li></ol></li></ul>

# Notes

---

---

---

---

---

---

---

---

---

---

---

---

---

---

---

---

---

---

---

---

---

---

---

---

---

---

---

---

---

# SECTION 4

## Grounding



### WARNING

To reduce the risk of electric shock, fire, explosion, serious injury or death:

- Disconnect electric power to the dryer before servicing.
- Close gas shut-off valve to gas dryer before servicing.
- Never start the dryer with any guards/panels removed.
- Whenever ground wires are removed during servicing, these ground wires must be reconnected to ensure that the dryer is properly grounded.

W001

#### 1. GROUND WIRES FROM TERMINAL BLOCK TO REAR BULKHEAD AND FROM REAR BULKHEAD TO CONTROL HOUSING (Electric Models Only – Figure 4-1).

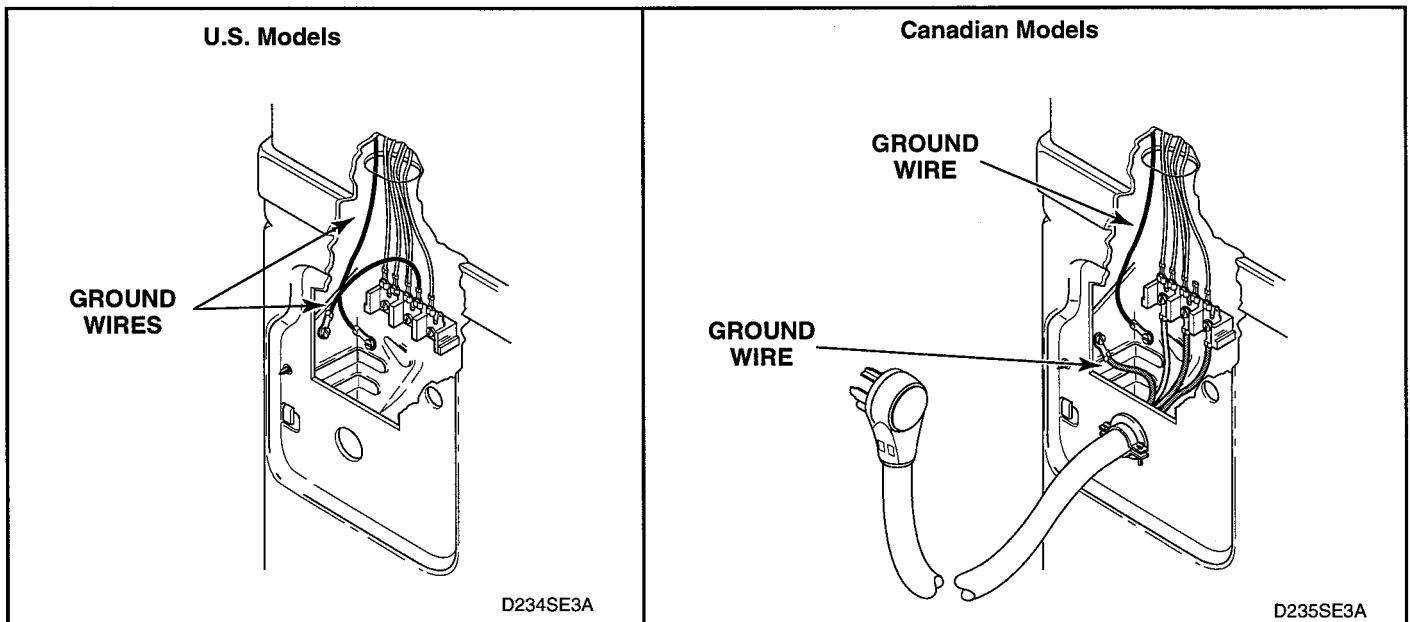


Figure 4-1



## WARNING

To reduce the risk of electric shock, fire, explosion, serious injury or death:

- Disconnect electric power to the dryer before servicing.
- Close gas shut-off valve to gas dryer before servicing.
- Never start the dryer with any guards/panels removed.
- Whenever ground wires are removed during servicing, these ground wires must be reconnected to ensure that the dryer is properly grounded.

W001

### 2. GROUND WIRES FROM POWER CORD TO REAR BULKHEAD AND FROM REAR BULKHEAD TO CONTROL HOUSING. CHECK WALL RECEPTACLE POLARITY (Gas Models Only – Figure 4-2).

**NOTE:** A qualified electrician should check the polarity of the wall receptacle. If a voltage reading is measured other than that illustrated, the qualified electrician should correct the problem.

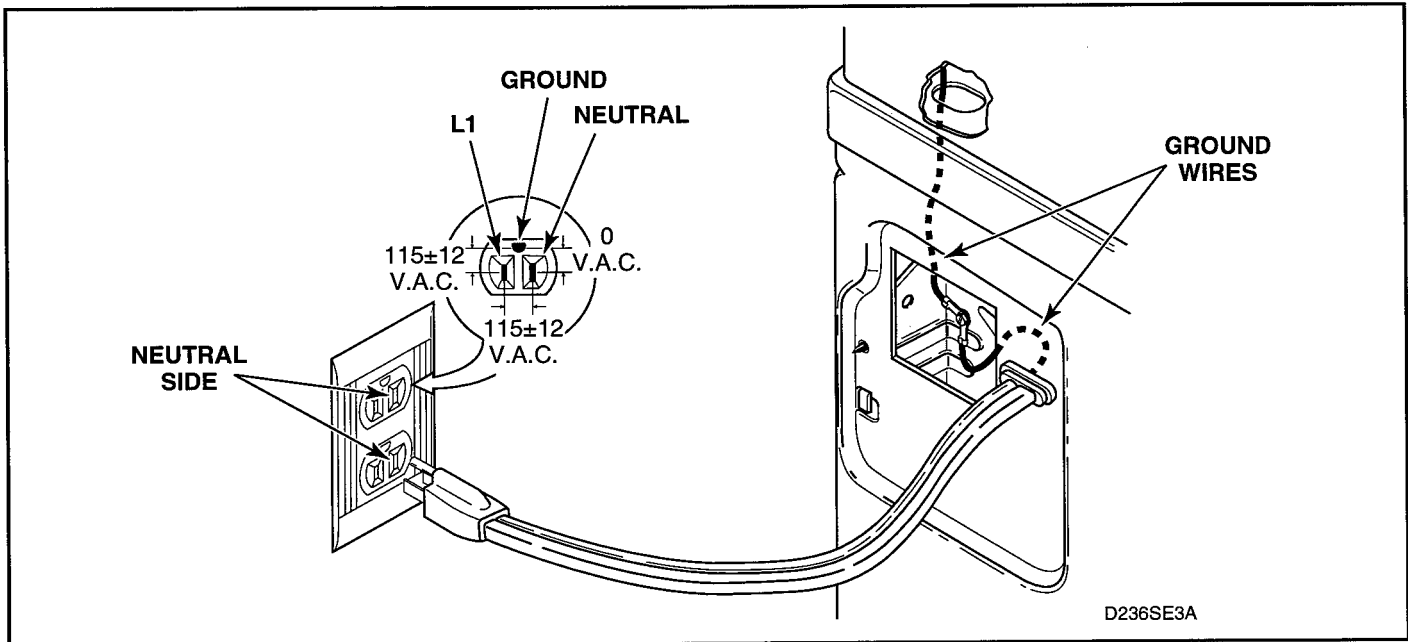


Figure 4-2



## WARNING

To reduce the risk of electric shock, fire, explosion, serious injury or death:

- Disconnect electric power to the dryer before servicing.
- Close gas shut-off valve to gas dryer before servicing.
- Never start the dryer with any guards/panels removed.
- Whenever ground wires are removed during servicing, these ground wires must be reconnected to ensure that the dryer is properly grounded.

W001

3. **GROUND WIRES FROM REAR BULKHEAD TO TIMER MOUNTING BRACKET AND TO DRYER CABINET TOP. GROUND WIRES FROM TIMER MOUNTING BRACKET TO GRAPHIC PANEL (Mechanical Timer Models Only – Figure 4-3).**

**GROUND WIRES FROM REAR BULKHEAD TO DRYER CABINET TOP TO ELECTRONIC CONTROL AND TO GRAPHICS PANEL (Electronic Control Model Dryers – Figure 4-3).**

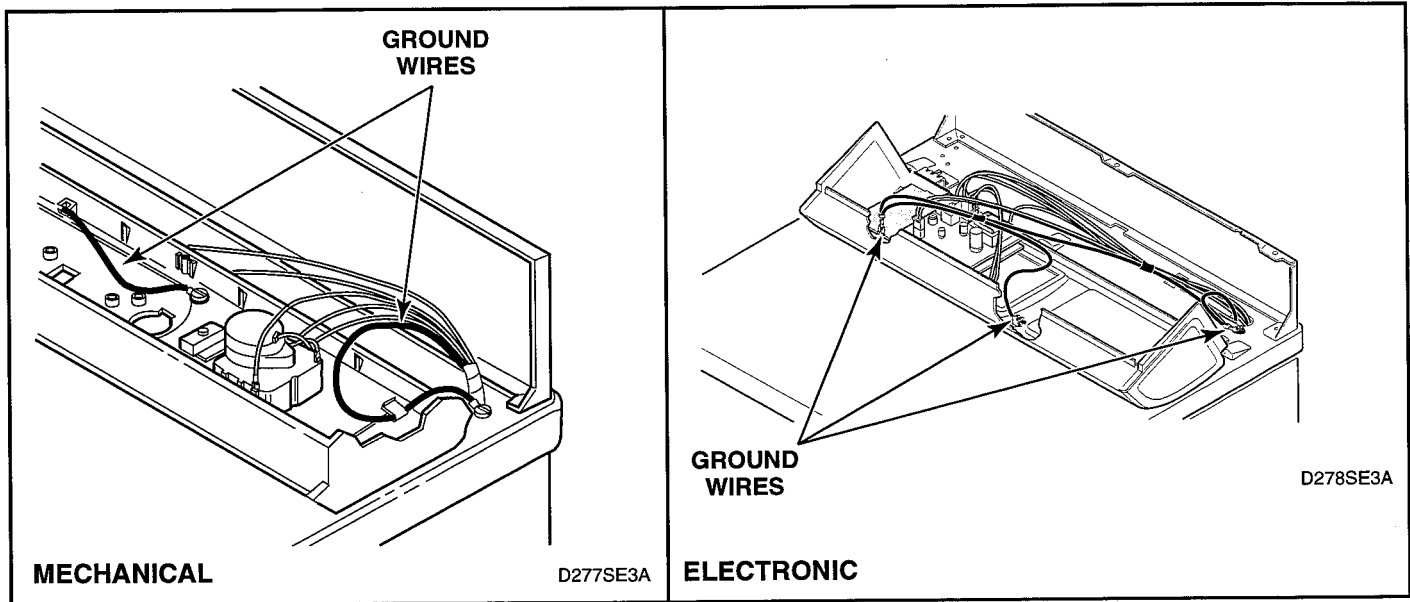


Figure 4-3





# SECTION 5

## Service Procedures



### WARNING

To reduce the risk of electric shock, fire, explosion, serious injury or death:

- Disconnect electric power to the dryer before servicing.
- Close gas shut-off valve to gas dryer before servicing.
- Never start the dryer with any guards/panels removed.
- Whenever ground wires are removed during servicing, these ground wires must be reconnected to ensure that the dryer is properly grounded.

W001

**IMPORTANT:** When reference to direction (right or left) is made in this manual, it is from the operator's position facing the front of the dryer.

#### 1. CONTROL HOOD ASSEMBLY (Figures 5-1, 5-2 and 5-3)

- Remove three screws holding control hood assembly to control hood rear panel.
- Rotate assembly forward to access inner wiring.
- Disconnect wiring from inner components and carefully remove components from control hood assembly.

**NOTE:** Refer to appropriate wiring diagram when rewiring component parts.

- Rotate control hood assembly forward and lift to free assembly from hold-down clips.

#### 2. FLUORESCENT LIGHT ASSEMBLY (Models containing fluorescent light only) (Figure 5-3)

- Remove three screws holding top cover to support control panel. Rotate top cover forward to release front edge of top cover from top edge of diffuser.
- Disconnect two wires from rocker switch (located in diffuser).
- Disconnect wires at disconnect blocks located in support control panel.
- Remove two screws holding fluorescent light to support control panel.
- Lift fluorescent light out of support control panel.

#### 3. CONTROL HOOD END CAPS (Figures 5-1, 5-2, and 5-3)

- Remove three screws holding control hood assembly to control hood rear panel.
- Rotate assembly forward to access inner wiring.
- Disconnect wiring from inner components and carefully remove components from control hood assembly.

**NOTE:** Refer to appropriate wiring diagram when rewiring component parts.

- Remove two screws holding end cap to end of support control panel.
- Carefully pry end cap from support control panel.

**NOTE:** To re-assemble, reverse the steps.



## WARNING

To reduce the risk of electric shock, fire, explosion, serious injury or death:

- Disconnect electric power to the dryer before servicing.
- Close gas shut-off valve to gas dryer before servicing.
- Never start the dryer with any guards/panels removed.
- Whenever ground wires are removed during servicing, these ground wires must be reconnected to ensure that the dryer is properly grounded.

W001

### 4. GRAPHICS PANEL (Figures 5-1, 5-2, and 5-3)

- Remove three screws holding control hood assembly to control hood rear panel.
- Rotate assembly forward to access inner wiring.
- Disconnect wiring from inner components and carefully remove components from control hood assembly.

**NOTE: Refer to appropriate wiring diagram when rewiring component parts.**

- Remove three screws holding top cover to support control panel. Rotate top cover forward.
- Carefully remove two switch knobs and timer knob by pulling forward.
- Remove screws holding end caps to support control panel and pry off caps.
- With graphic panel facing forward, rotate control hood assembly forward to access tabs holding graphic panel.
- Bend graphic panel tabs until straight and pull panel away from control mounting plate.

**NOTE: To re-assemble, reverse the steps.**

### 5. TIMER (Figures 5-1 and 5-2)

- Remove the three screws holding the control assembly to the control hood rear panel.
- Rotate assembly forward to access inner wiring.
- Disconnect wiring from inner components and carefully remove components from control hood assembly.

**NOTE: Refer to appropriate wiring diagram when rewiring component parts.**

- Remove two screws holding timer to support control panel.
- Remove knob.

### 6. FABRIC SELECTOR SWITCH (Not included in electronic control models) (Figures 5-1 and 5-2)

- Remove three screws holding control hood assembly to control hood rear panel.
- Rotate assembly forward to access inner wiring.
- Disconnect wiring from inner components and carefully remove components from control hood assembly.

**NOTE: Refer to appropriate wiring diagram when rewiring component parts.**

- Carefully press in on locking tabs holding fabric selector switch to support control panel.
- With locking tabs pressed in, rotate fabric selector switch counterclockwise 1/4 turn and remove switch out rear of control mounting plate.

### 7. SIGNAL CONTROL (Figures 5-1 and 5-2)

- Remove three screws holding control hood assembly to control hood rear panel.
- Rotate assembly forward to access inner wiring.
- Disconnect wires to the signal control.

**NOTE: Refer to appropriate wiring diagram when rewiring component parts.**

- Remove signal control knob from graphic panel.
- Remove two screws holding the signal control to the support control panel.
- Carefully remove signal control.

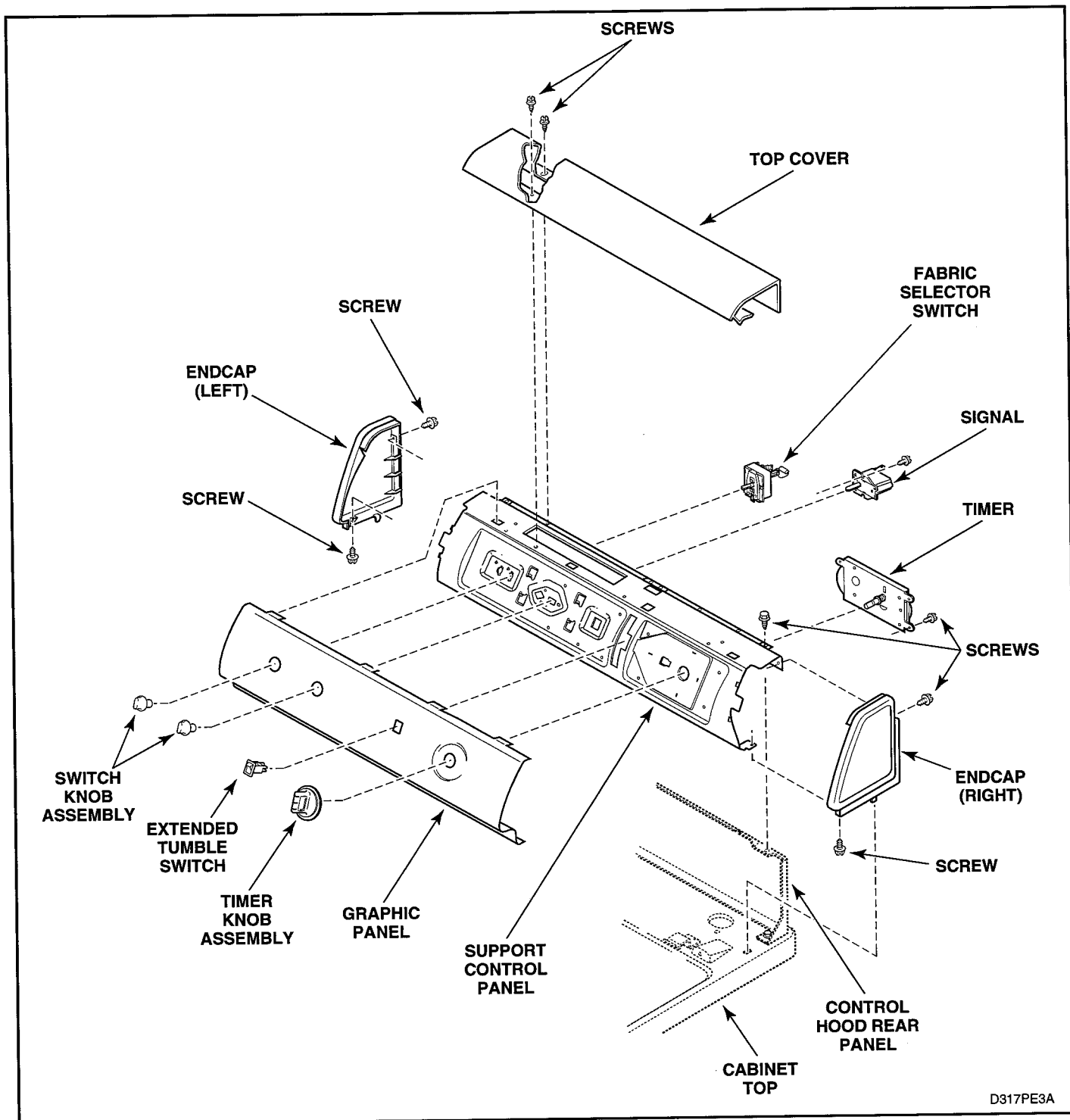
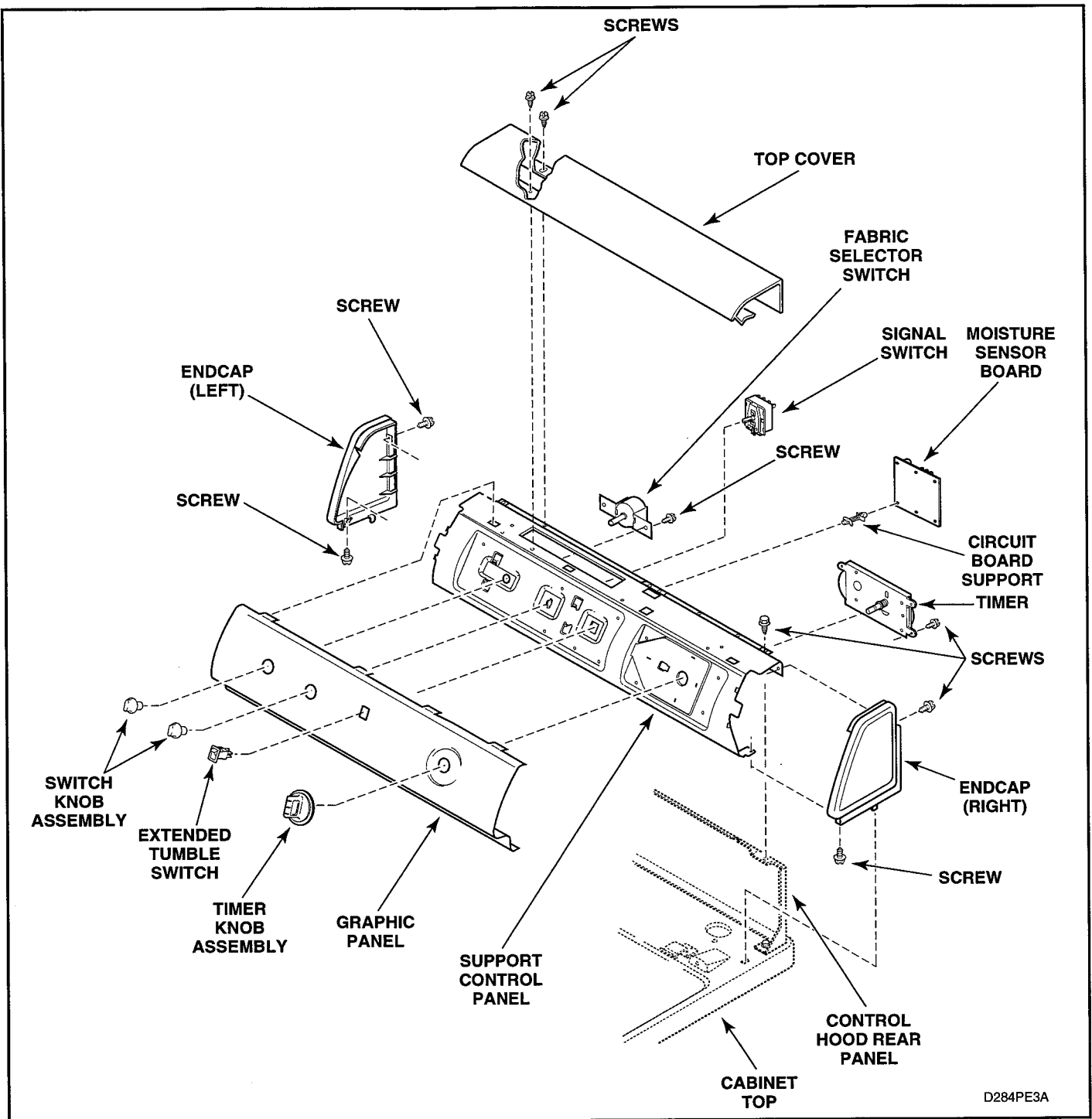


Figure 5-1

**GRAPHIC PANEL, CONTROL HOOD AND CONTROLS**

(Models LEA10A\*, LEA30A\*, LEA50A\*, LEA60A\*, LEC10A\*, LEC20A\*, LEC30A\*, LEC32A\*, LEC50A\*, LEC60A\*, LED57A\*, LGA10A\*, LGA30A\*, LGA50A\*, LGA60A\*, LGC20A\* and LGC50A\* and LGD57A\*)

\*Add letter to designate color. L – Almond W – White



D284PE3A

Figure 5-2  
**GRAPHIC PANEL, CONTROL HOOD AND CONTROLS**  
 (Models LEA80A\*, LEC80A\*, LED65A\*, LGA80A\* and LGD65A\*)

\*Add letter to designate color. L – Almond W – White

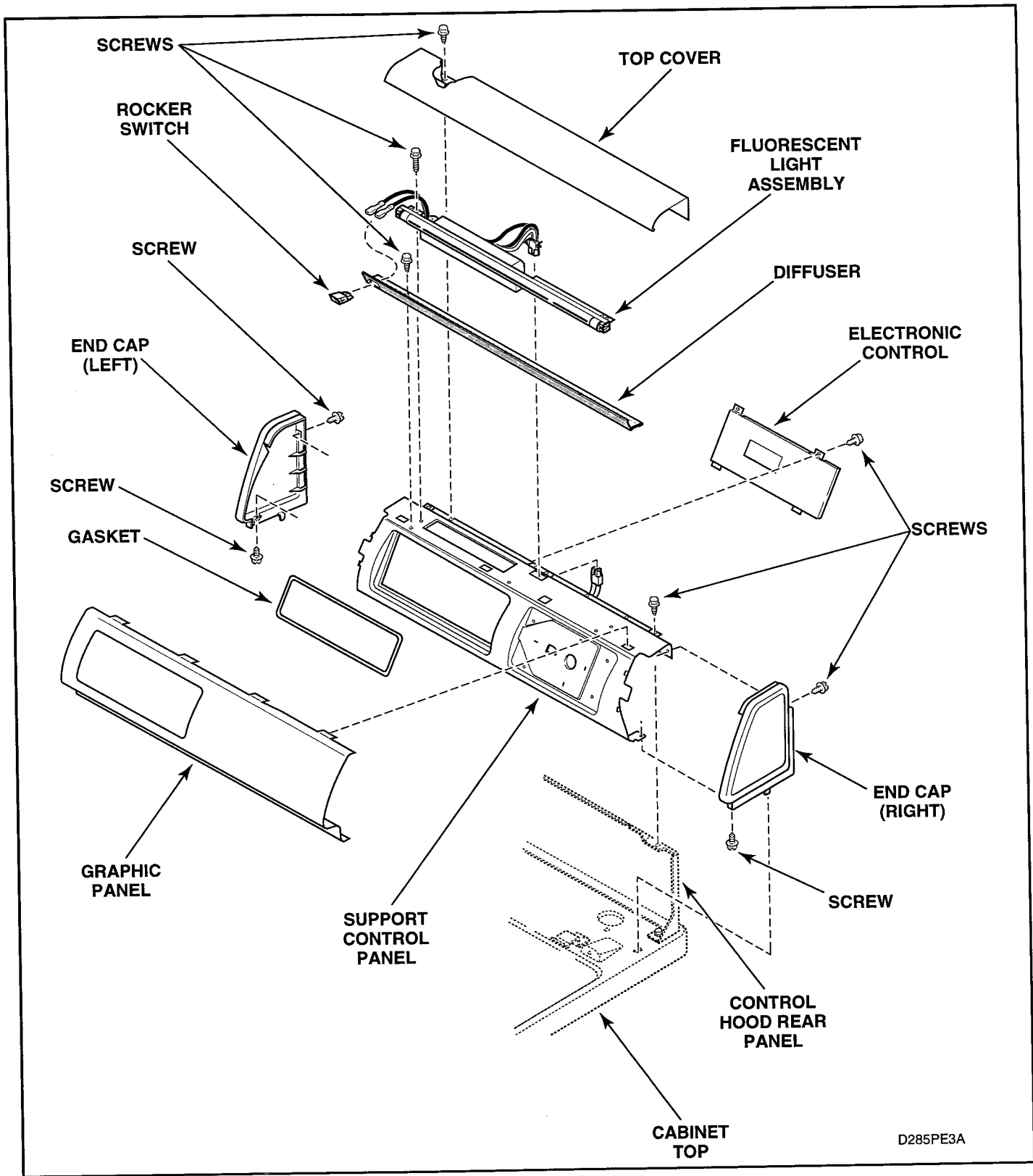


Figure 5-3  
**GRAPHIC PANEL, CONTROL HOOD AND CONTROLS**  
 (Models LEA90A\*, LEC90A\* and LGA90A\*)

\*Add letter to designate color. L - Almond W - White



## WARNING

To reduce the risk of electric shock, fire, explosion, serious injury or death:

- Disconnect electric power to the dryer before servicing.
- Close gas shut-off valve to gas dryer before servicing.
- Never start the dryer with any guards/panels removed.
- Whenever ground wires are removed during servicing, these ground wires must be reconnected to ensure that the dryer is properly grounded.

W001

### 8. EXTENDED TUMBLE SWITCH

- Remove three screws holding control hood assembly to control hood rear panel.
- Rotate assembly forward to access inner wiring.
- Disconnect wires to the extended tumble switch.
- Remove extended tumble switch from graphic panel.

### 9. PRINTED CIRCUIT BOARD

(Models with Moisture Sensor Only)

- Remove three screws holding control hood assembly to control hood rear panel.
- Rotate assembly forward to access inner wiring.
- Pull printed circuit board forward to slide off plastic support pegs.

### 10. ELECTRONIC CONTROL

(See figure 5-3 for control removal)

**IMPORTANT:** When removing or installing an electronic control, handle the control by the edges, or the control could become damaged.

**NOTE:** Refer to the appropriate wiring diagram when rewiring the electronic control.

### 11. LINT FILTER (Figure 5-4)

- Open loading door.
- Lift lint filter out of air duct, paying close attention to orientation.

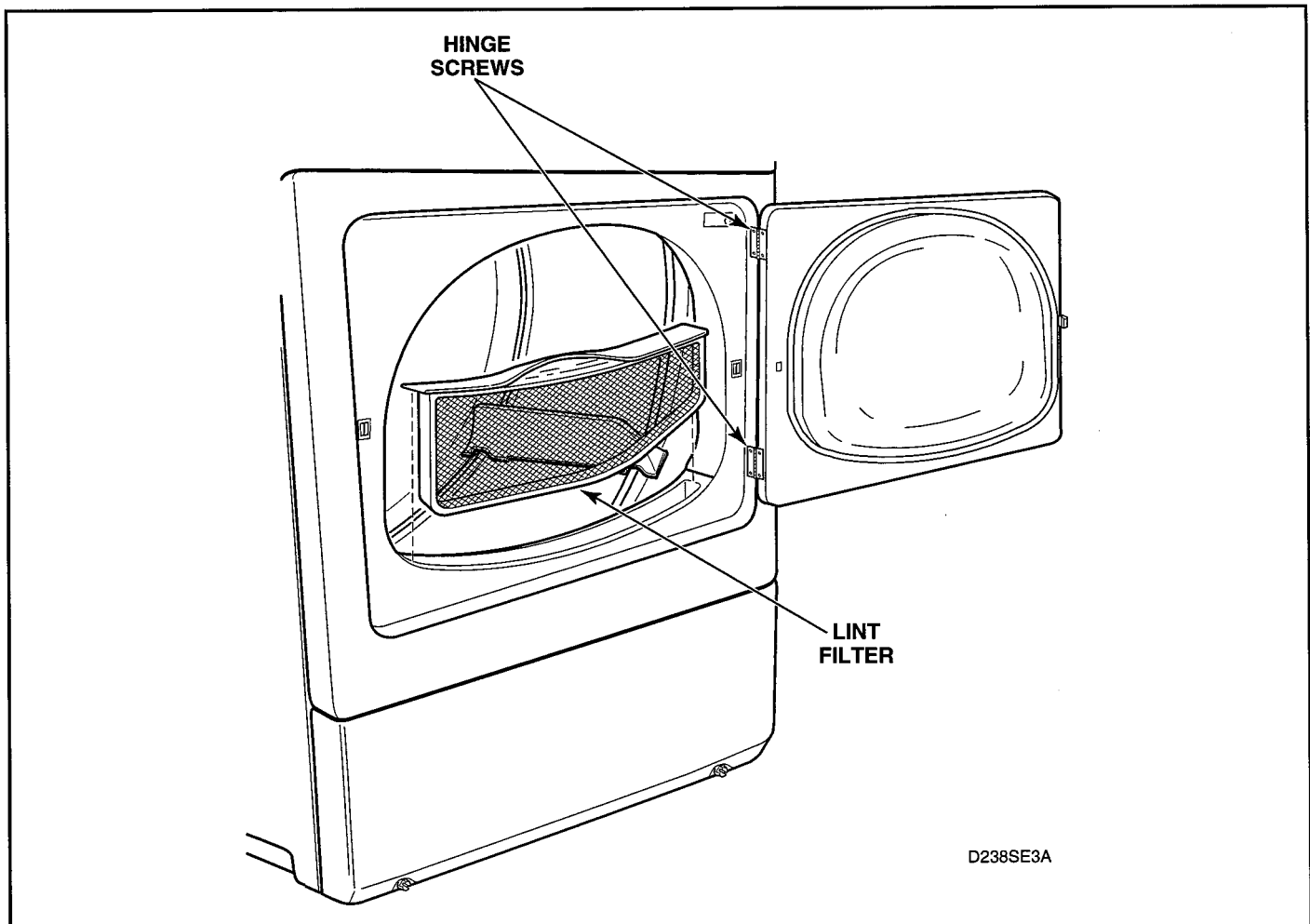


Figure 5-4







## WARNING

To reduce the risk of electric shock, fire, explosion, serious injury or death:

- Disconnect electric power to the dryer before servicing.
- Close gas shut-off valve to gas dryer before servicing.
- Never start the dryer with any guards/panels removed.
- Whenever ground wires are removed during servicing, these ground wires must be reconnected to ensure that the dryer is properly grounded.

W001

### 12. INNER AND OUTER DOOR PANELS AND DOOR PULL

- a. Remove four screws holding door assembly to hinges. See figure 5-4.
- b. Carefully remove door pull. See figure 5-6.
- c. Remove remaining screws around the door perimeter and separate panels. See figure 5-6.

**NOTE:** All screws are interchangeable.

### 13. LOADING DOOR AND DOOR HINGE

- a. Open loading door.
- b. Remove screws holding loading door to hinges. See figure 5-4.

# Reversing Door Procedure

The door on this dryer is completely reversible. To reverse door proceed as follows:

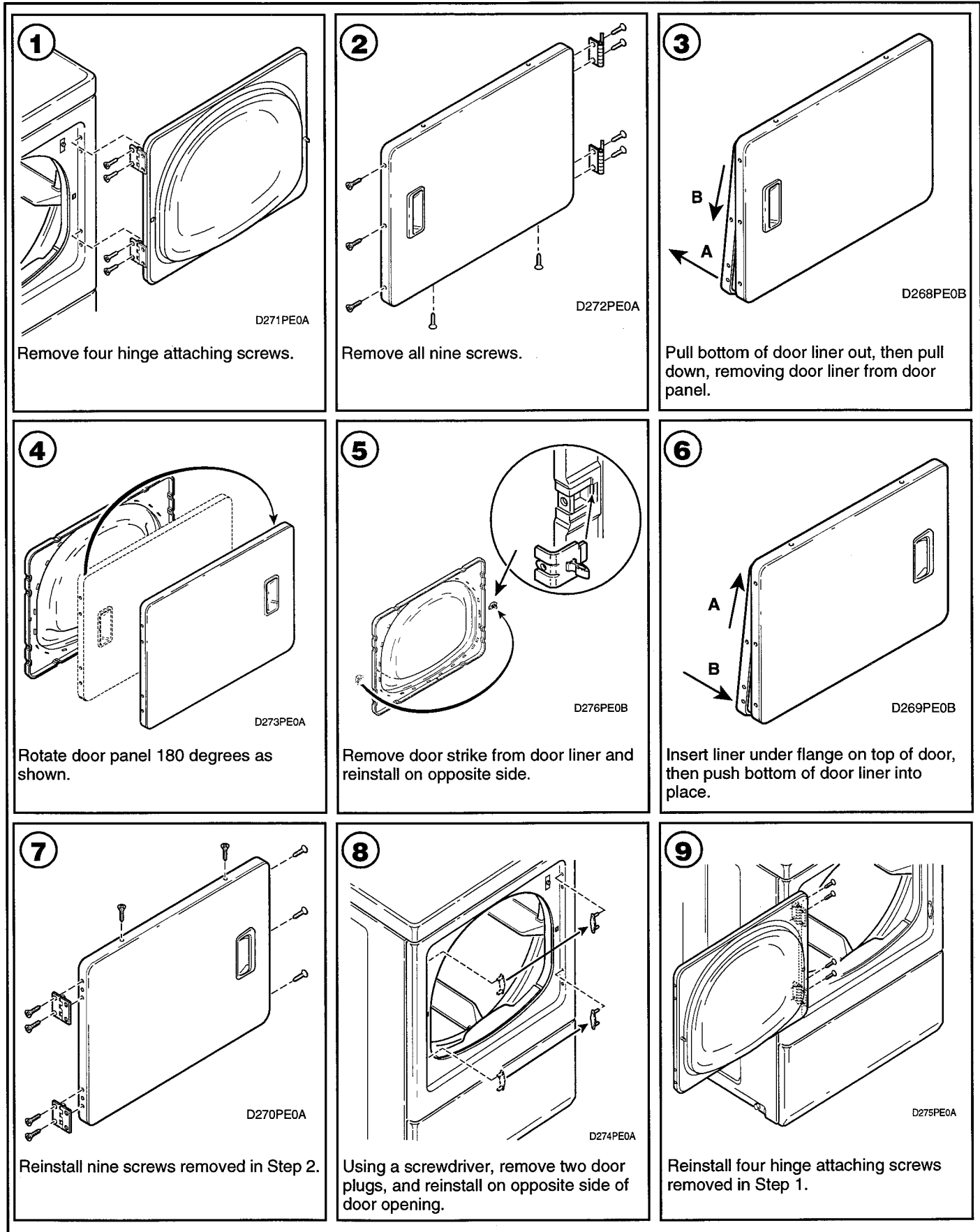


Figure 5-5



## WARNING

To reduce the risk of electric shock, fire, explosion, serious injury or death:

- Disconnect electric power to the dryer before servicing.
- Close gas shut-off valve to gas dryer before servicing.
- Never start the dryer with any guards/panels removed.
- Whenever ground wires are removed during servicing, these ground wires must be reconnected to ensure that the dryer is properly grounded.

W001

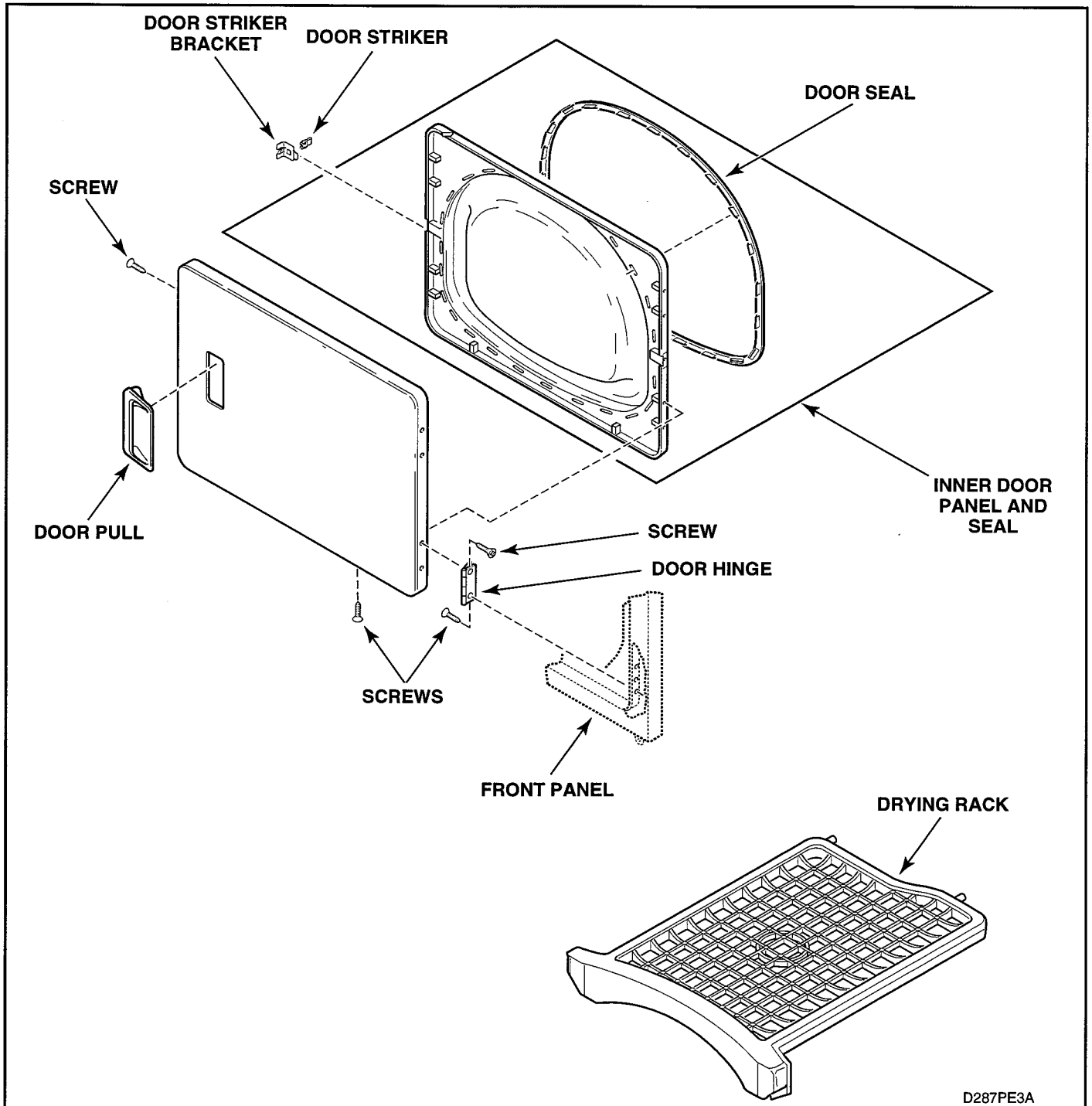


Figure 5-6



## WARNING

To reduce the risk of electric shock, fire, explosion, serious injury or death:

- Disconnect electric power to the dryer before servicing.
- Close gas shut-off valve to gas dryer before servicing.
- Never start the dryer with any guards/panels removed.
- Whenever ground wires are removed during servicing, these ground wires must be reconnected to ensure that the dryer is properly grounded.

W001

### 14. DOOR STRIKE (FIGURE 5-6)

- Open loading door.
- Remove screw holding door strike and bracket to loading door and remove strike and bracket.

**NOTE:** You may have to loosen the two screws on end of door to allow for striker and bracket removal.

### 15. DOOR SEAL (Figure 5-7)

- Open loading door.

- Grasp either end of door seal at bottom of door and remove seal from tabs on inner door panel by gently pulling on the seal. See figure 5-7.

**NOTE:** When replacing seal, be sure seal is not stretched or distorted. The groove in the seal should be installed on each tab of the inner door panel, as in figure 5-7. The split in the seal should be at the bottom of the door.

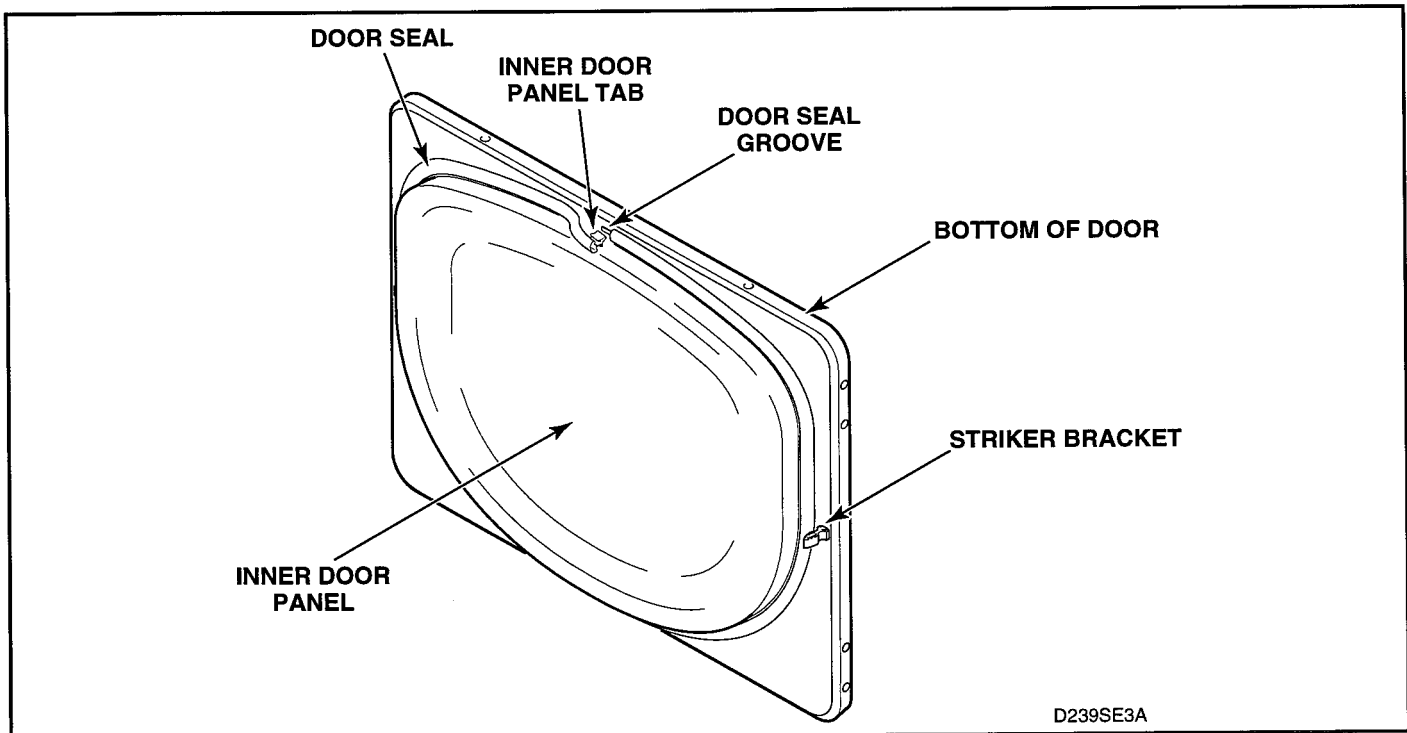


Figure 5-7



## WARNING

To reduce the risk of electric shock, fire, explosion, serious injury or death:

- Disconnect electric power to the dryer before servicing.
- Close gas shut-off valve to gas dryer before servicing.
- Never start the dryer with any guards/panels removed.
- Whenever ground wires are removed during servicing, these ground wires must be reconnected to ensure that the dryer is properly grounded.

W001

### 16. FRONT PANEL AND PANEL SEAL (Figure 5-9)

- While supporting the lower access panel, remove two screws from bottom edge of lower access panel.
- Gently lower the access panel to disengage locators from bottom edge of front panel.
- Remove two screws holding bottom tabs on front panel to dryer side panels. Swing bottom of front panel away from dryer far enough to disengage hold-down clips and locators from cabinet top.
- Disconnect wires from door switch.

**NOTE: Refer to appropriate wiring diagram when rewiring switch.**

- Remove front panel seal from flange around inside of door opening.

**NOTE: Be sure seal is properly positioned when installing on front panel.**

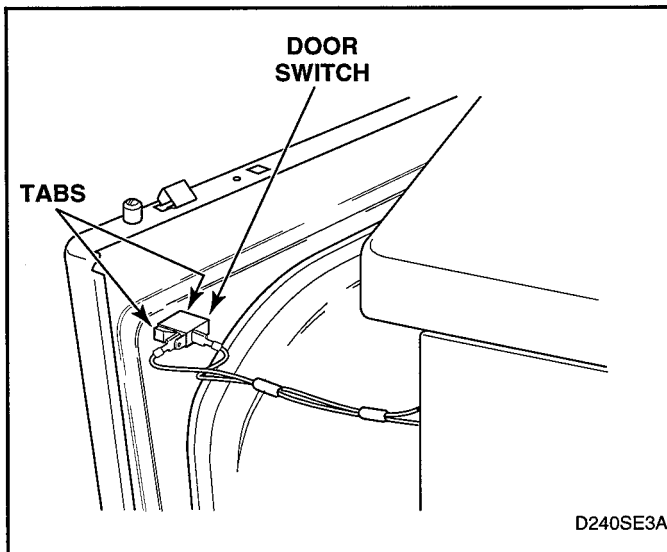


Figure 5-8

### 17. DOOR SWITCH (Figure 5-9)

- While supporting the lower access panel, remove two screws from bottom edge of lower access panel.
- Gently lower the access panel to disengage locators from bottom edge of front panel.
- Remove two screws holding tabs on front panel to dryer side panels. Swing bottom of front panel away from dryer far enough to disengage hold-down clips and locators from cabinet top.
- Disconnect wires from door switch.

**NOTE: Refer to appropriate wiring diagram when rewiring switch.**

- Depress tabs on top and bottom of switch and push out of front panel.

### 18. DOOR CATCH (Figure 5-9)

- While supporting the lower access panel, remove two screws from bottom edge of lower access panel.
- Gently lower the access panel to disengage locators from bottom edge of front panel.
- Remove two screws holding bottom tabs on front panel to dryer side panels. Swing bottom of front panel away from dryer far enough to disengage hold-down clips and locators from cabinet top.
- Disconnect wires from door switch.

**NOTE: Refer to appropriate wiring diagram when rewiring switch.**

- Depress tabs on top and bottom of catch and push out of front panel.

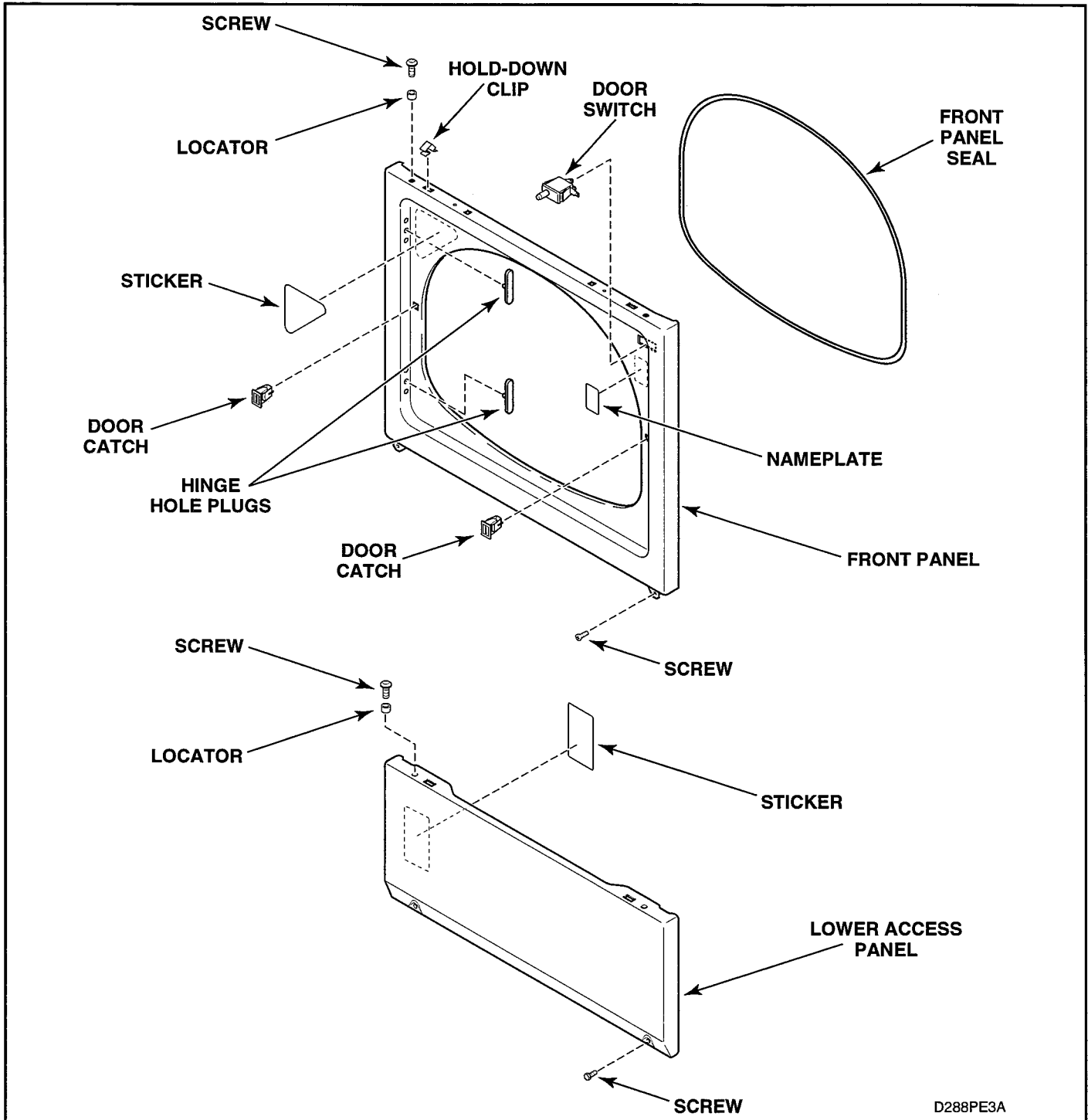


## WARNING

To reduce the risk of electric shock, fire, explosion, serious injury or death:

- Disconnect electric power to the dryer before servicing.
- Close gas shut-off valve to gas dryer before servicing.
- Never start the dryer with any guards/panels removed.
- Whenever ground wires are removed during servicing, these ground wires must be reconnected to ensure that the dryer is properly grounded.

W001



D288PE3A

Figure 5-9



## WARNING

To reduce the risk of electric shock, fire, explosion, serious injury or death:

- Disconnect electric power to the dryer before servicing.
- Close gas shut-off valve to gas dryer before servicing.
- Never start the dryer with any guards/panels removed.
- Whenever ground wires are removed during servicing, these ground wires must be reconnected to ensure that the dryer is properly grounded.

W001

### 19. DOOR HINGE (Figure 5-10)

- Open loading door and, while supporting door, remove four screws holding door assembly to hinges.
- Remove four screws holding hinges to front panel.

- Remove two screws holding bottom tabs on front panel to dryer side panels. Swing bottom edge of front panel away from dryer far enough to disengage hold-down clips and locators from cabinet top.
- Disconnect wires from door switch.

### 20. HOLD-DOWN CLIPS AND LOCATORS (Figure 5-9)

- While supporting the lower access panel, remove two screws from bottom edge of lower access panel.
- Gently lower the access panel to disengage locators from bottom edge of front panel.

**NOTE: Refer to appropriate wiring diagram when rewiring switch.**

- Compress hold-down clips and remove from top of access panel or front panel.
- Remove four screws holding four locators to access panel or front panel.

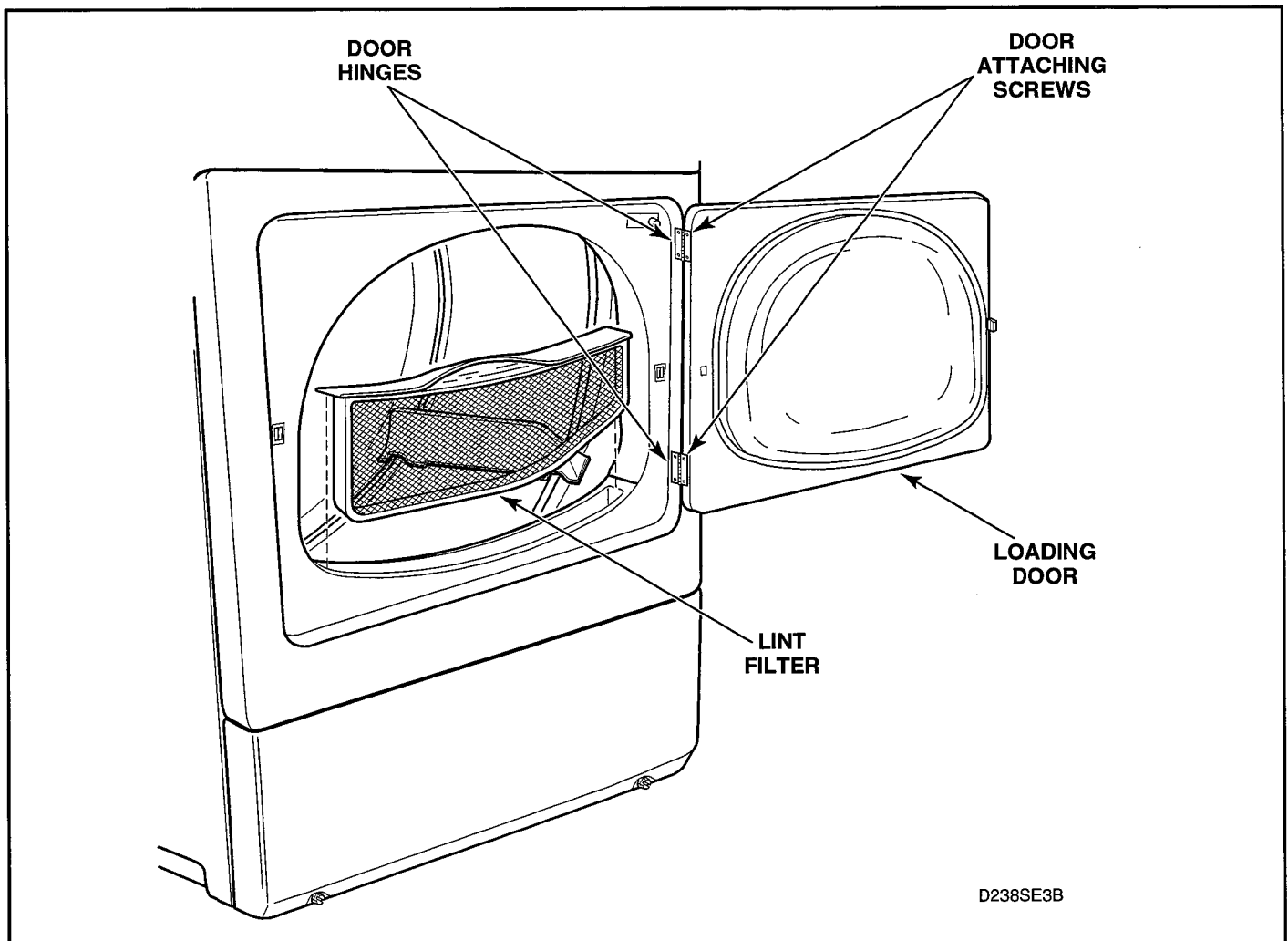


Figure 5-10



# WARNING

To reduce the risk of electric shock, fire, explosion, serious injury or death:

- Disconnect electric power to the dryer before servicing.
- Close gas shut-off valve to gas dryer before servicing.
- Never start the dryer with any guards/panels removed.
- Whenever ground wires are removed during servicing, these ground wires must be reconnected to ensure that the dryer is properly grounded.

W001

## 21. BURNER SYSTEM COMPONENTS - GAS MODELS

### a. Complete Gas Valve Assembly.

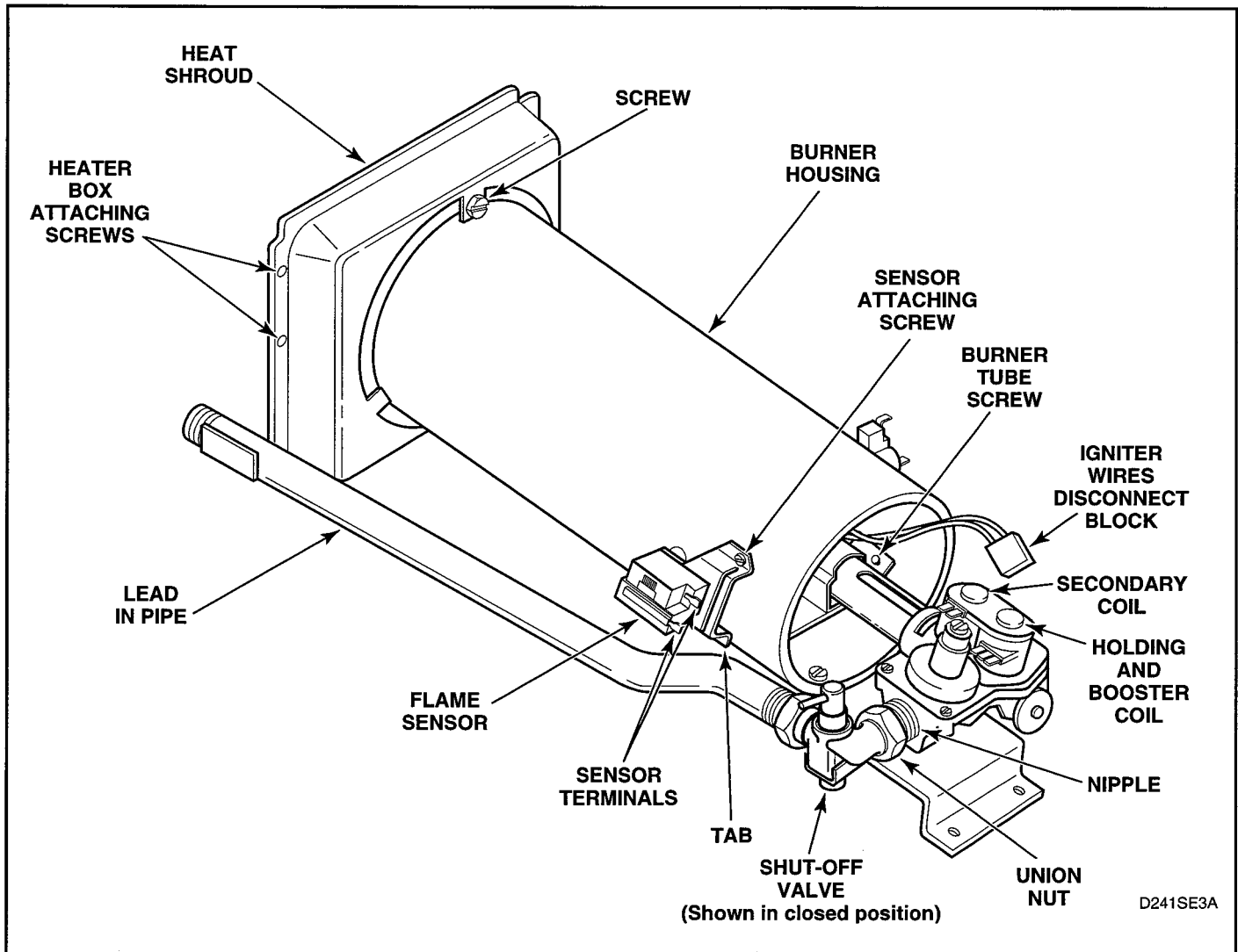
1. While supporting the lower access panel, remove two screws from bottom edge of lower access panel. See figure 5-9.
2. Gently lower the access panel to disengage locators from bottom edge of front panel.
3. Close main gas shut-off valve, disconnect igniter wires at disconnect blocks, sensor wires from flame sensor terminals, and wires from gas valve coils at the quick disconnect blocks. See figure 5-11.

4. Disconnect gas shut-off valve from gas valve at the union nut. See figure 5-11.
5. Remove three screws holding valve and mounting bracket to base. See figure 5-11.
6. Lift gas valve and mounting bracket from base. See figure 5-11.

**NOTE:** The holding and booster coil, and secondary coil can be replaced individually.

### b. Burner Tube, Igniter and Bracket

**NOTE:** Burner tube and igniter can be removed without removing gas valve and bracket.



D241SE3A

Figure 5-11





## WARNING

To reduce the risk of electric shock, fire, explosion, serious injury or death:

- Disconnect electric power to the dryer before servicing.
- Close gas shut-off valve to gas dryer before servicing.
- Never start the dryer with any guards/panels removed.
- Whenever ground wires are removed during servicing, these ground wires must be reconnected to ensure that the dryer is properly grounded.

W001

1. Remove one screw from right side of burner housing holding burner tube in place. See figure 5-13.
2. Gently move burner tube toward rear of dryer to disengage tab from slot on left side of burner housing. See figure 5-11.
3. Carefully rotate burner tube and igniter **counterclockwise** so tab is at 8 o'clock position.
4. Move air shutter end of burner tube slightly to right and **CAREFULLY** remove burner tube and igniter assembly out through front of dryer.
5. Remove screw holding igniter and bracket to burner tube and remove igniter and bracket. See figure 5-12.

**IMPORTANT:** Use care while removing igniter to avoid damaging or breaking it. The igniter is very fragile.

**IMPORTANT:** Handle igniter by grasping the white ceramic portion of bracket only. **DO NOT** handle silicon carbide portion of igniter with hands or allow any oil, grease or other foreign material to contaminate it. Oil, grease and other impurities or hairline cracks will cause the igniter to burn out.

### c. Flame Sensor

1. While supporting the lower access panel, remove two screws from bottom edge of lower access panel. See figure 5-9.
2. Gently lower the access panel to disengage locators from bottom edge of front panel.
3. Remove wires from sensor terminals. See figure 5-11.
4. Remove screw holding sensor to burner housing. See figure 5-11.

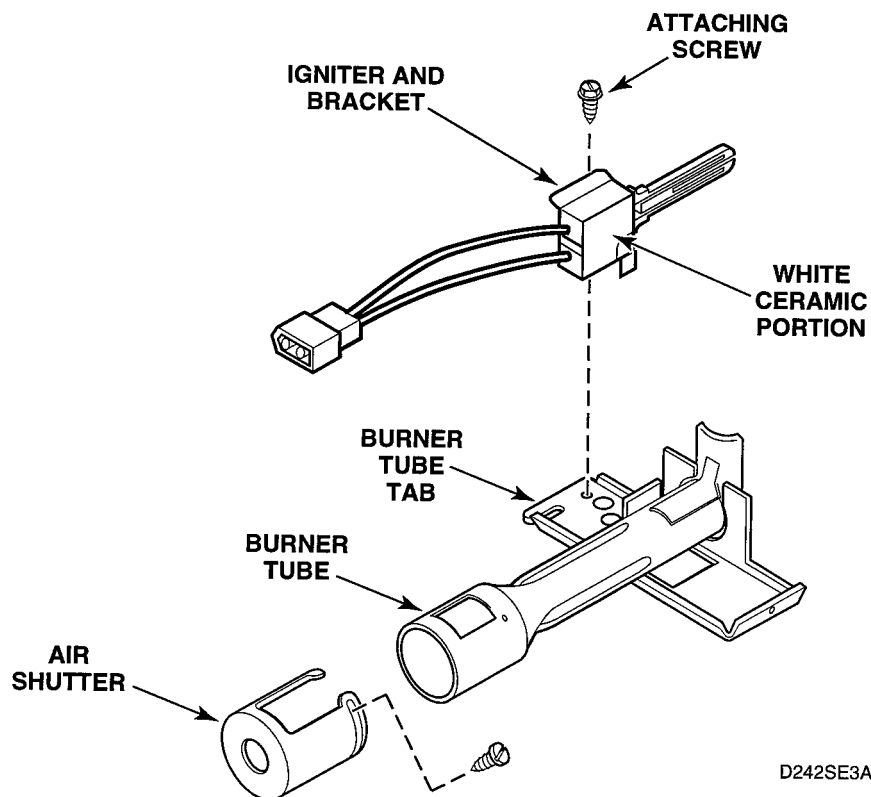


Figure 5-12



## WARNING

To reduce the risk of electric shock, fire, explosion, serious injury or death:

- Disconnect electric power to the dryer before servicing.
- Close gas shut-off valve to gas dryer before servicing.
- Never start the dryer with any guards/panels removed.
- Whenever ground wires are removed during servicing, these ground wires must be reconnected to ensure that the dryer is properly grounded.

W001

### 22. BURNER HOUSING AND HEAT SHROUD (Gas Models)

- While supporting the lower access panel, remove two screws from bottom edge of lower access panel. See figure 5-9.
- Gently lower the access panel to disengage locators from bottom edge of front panel.
- Disconnect igniter wires at disconnect blocks, sensor wires from flame sensor terminals, and wires from gas valve coils at the quick disconnect blocks. See figure 5-11.
- Remove screw from right side of burner housing, while holding burner tube in place. See figure 5-13.
- Gently move burner tube toward rear of dryer to disengage tab from slot on left side of burner housing. See figure 5-11.
- Carefully rotate burner tube and igniter **counterclockwise** so tab is at 8 o'clock position.
- Move air shutter end of burner tube slightly to the right and **CAREFULLY** remove burner tube and igniter assembly out through front of dryer.

**IMPORTANT: The igniter is very fragile. Be careful not to damage it during removal.**

- Remove screw holding burner housing to heat shroud. See figure 5-11.
- Remove screw holding front of burner housing to dryer base and remove housing out through front of dryer. See figure 5-13.

- Remove two screws holding shroud to heater box and take shroud out through front of dryer.

### 23. LIMIT THERMOSTAT (Gas Models)

- While supporting the lower access panel, remove two screws from bottom edge of lower access panel. See figure 5-9.
- Gently lower the access panel to disengage locators from bottom edge of front panel.
- Disconnect wires and remove screws attaching limit thermostat to burner housing or element plate. See figure 5-13.

### 24. HEATING ELEMENT (Electric Models)

- While supporting the lower access panel, remove two screws from bottom edge of lower access panel. See figure 5-9.
- Gently lower the access panel to disengage locators from bottom edge of front panel.
- Remove two screws holding element and plate to heater box and pull element down and away from heater box. See figure 5-13.
- Disconnect wires from element and plate. See figure 5-13.
- Remove screws holding element and plate. See figure 5-13.

**NOTE: When reassembling, be sure all wire connectors are tight on element terminals, thermal fuse and limit thermostat.**

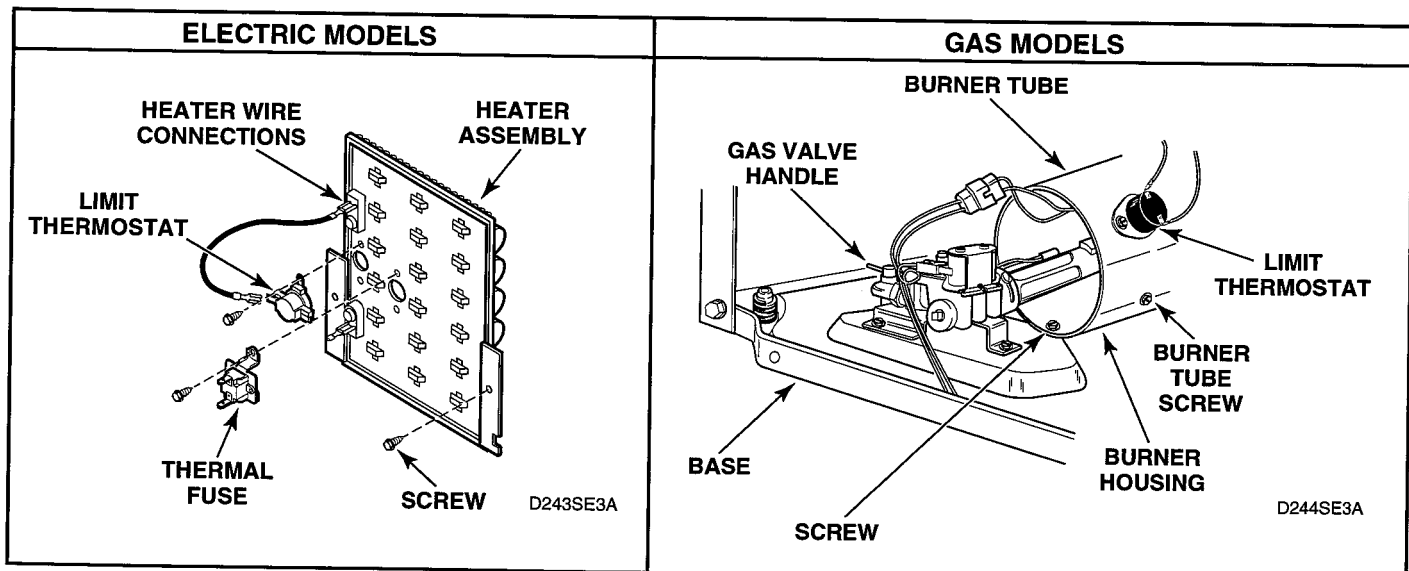


Figure 5-13



## WARNING

To reduce the risk of electric shock, fire, explosion, serious injury or death:

- Disconnect electric power to the dryer before servicing.
- Close gas shut-off valve to gas dryer before servicing.
- Never start the dryer with any guards/panels removed.
- Whenever ground wires are removed during servicing, these ground wires must be reconnected to ensure that the dryer is properly grounded.

W001

### 25. THERMISTOR OR THERMOSTAT AND HEATER

- While supporting the lower access panel, remove two screws from bottom edge of lower access panel. See figure 5-9.
- Gently lower the access panel to disengage locators from bottom edge of front panel.
- Disconnect wires and remove thermostat attaching screws, thermostat and heater. See figure 5-14.

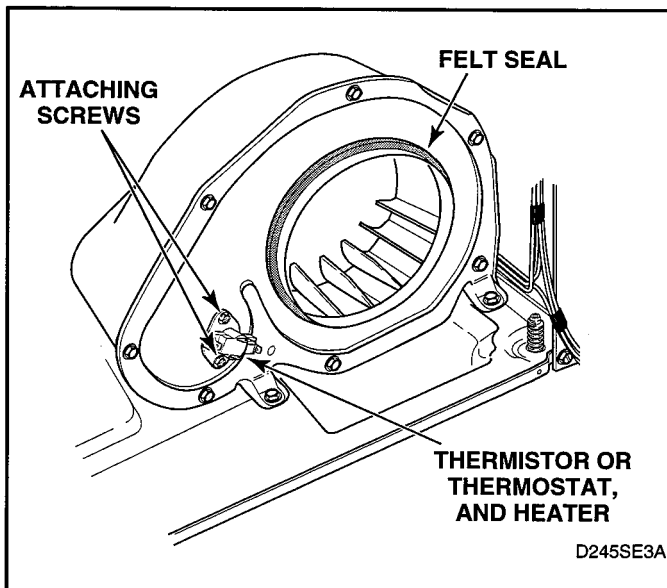


Figure 5-14

### 26. FRONT AIR DUCT

- While supporting the lower access panel, remove two screws from bottom edge of lower access panel. See figure 5-9.
- Gently lower the access panel to disengage locators from bottom edge of front panel.
- Open loading door, remove lint filter screws and lift filter out of bulkhead. See figure 5-4.

**IMPORTANT:** When installing lint filter, be sure to install the filter with the word "FRONT" facing the front of the dryer. If filter is installed backwards, lint will accumulate in exhaust system, which can adversely affect dryer performance.

- Remove two screws holding duct to front bulkhead and remove air duct. See figure 5-15.



## WARNING

To reduce the risk of serious injury or death by carbon monoxide and other gases in gas dryers, carefully read and follow all instructions given in this section.

**IMPORTANT:** When reassembling, be sure felt seal on exhaust fan cover makes airtight seal on flange of duct. See figure 5-14. If the seal is installed improperly, the airflow through the exhaust system will be restricted which can adversely affect dryer performance.

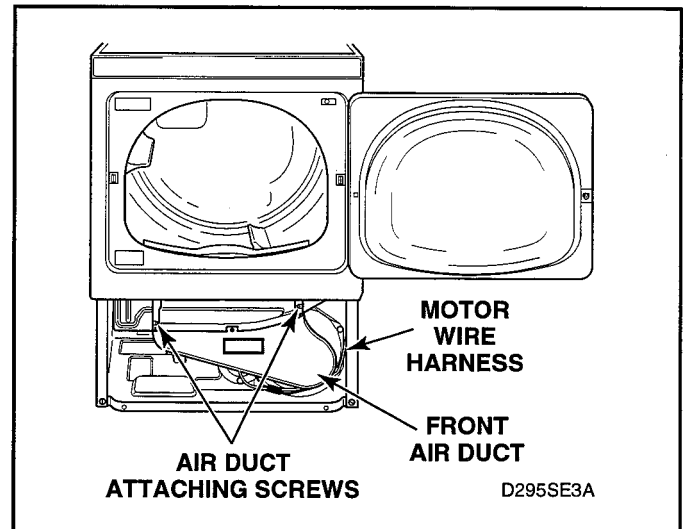


Figure 5-15



## WARNING

To reduce the risk of electric shock, fire, explosion, serious injury or death:

- Disconnect electric power to the dryer before servicing.
- Close gas shut-off valve to gas dryer before servicing.
- Never start the dryer with any guards/panels removed.
- Whenever ground wires are removed during servicing, these ground wires must be reconnected to ensure that the dryer is properly grounded.

W001

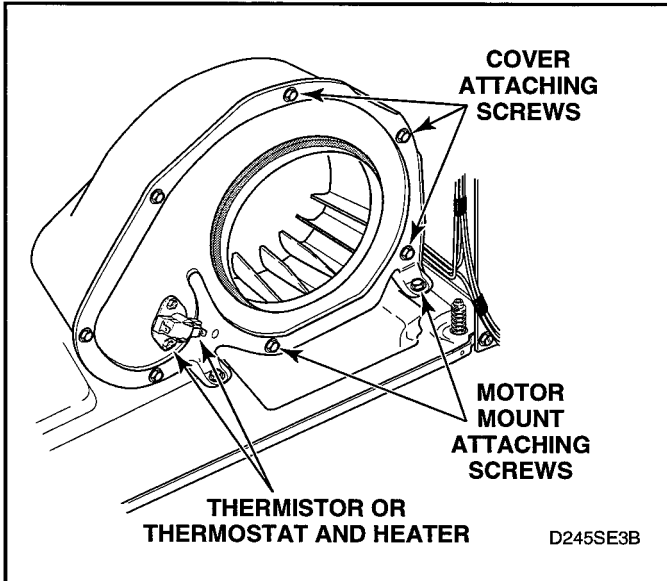


Figure 5-16

**NOTE:** Refer to appropriate wiring diagram when rewiring thermostat and heater.

- Remove cylinder belt from idler and motor pulleys. See figure 5-17.
- Disengage motor wire harness terminal block from motor switch by pressing in on the movable locking tabs (located on each end of the terminal block) and pulling away from motor. See figures 5-18 and 5-20.
- Remove two screws holding motor mounting bracket to dryer base. See figure 5-16.

### 27. MOTOR AND EXHAUST ASSEMBLY

- While supporting the lower access panel, remove two screws from bottom edge of lower access panel. See figure 5-9.
- Gently lower the access panel to disengage locators from bottom edge of front panel.
- Open loading door and lift filter out of bulkhead. See figure 5-4.
- Remove screws holding air duct to front bulkhead and remove air duct. See figure 5-15.

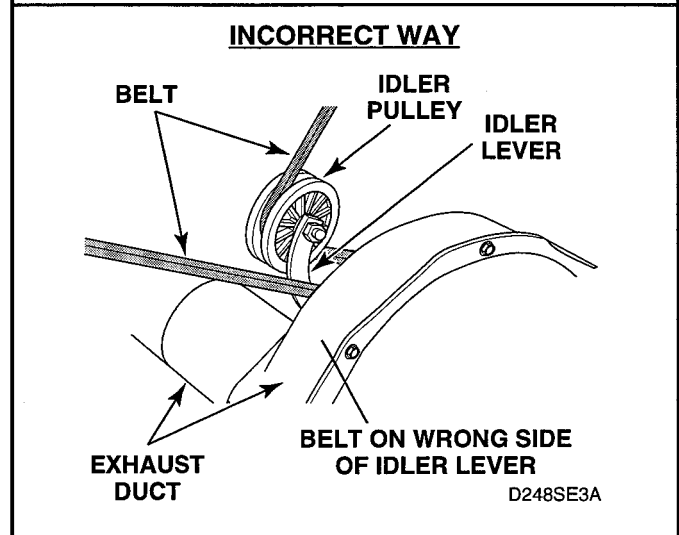
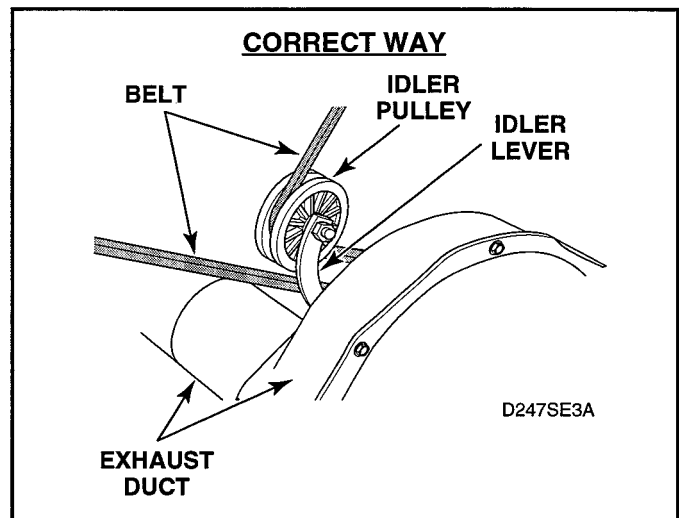


Figure 5-17



## WARNING

To reduce the risk of serious injury or death by carbon monoxide and other gases in gas dryers, carefully read and follow all instructions given in this section.

**IMPORTANT:** When reassembling, be sure felt seal on exhaust fan cover makes airtight seal on flange of duct. See figure 5-14. If the seal is installed improperly, the airflow through the exhaust system will be restricted which can adversely affect dryer performance.

- Disconnect wires from thermostat/thermistor and heater. See figure 5-13.



## WARNING

To reduce the risk of electric shock, fire, explosion, serious injury or death:

- Disconnect electric power to the dryer before servicing.
- Close gas shut-off valve to gas dryer before servicing.
- Never start the dryer with any guards/panels removed.
- Whenever ground wires are removed during servicing, these ground wires must be reconnected to ensure that the dryer is properly grounded.

W001



## WARNING

To reduce the risk of serious injury or death by carbon monoxide and other gases in gas dryers, carefully read and follow all instructions given in this section.

**IMPORTANT:** When reassembling, be sure felt seal on exhaust fan cover makes airtight seal on flange of duct. See figure 5-14. If the seal is installed improperly, the airflow through the exhaust system will be restricted which can adversely affect dryer performance.

**IMPORTANT:** When reinstalling motor and exhaust assembly, be sure wire harness on right side is clipped to motor mounting bracket and is routed along dryer base (between motor mounting bracket and right side of cabinet). See figure 5-15. Tab on rear of motor mounting bracket must be slid into slot in dryer base. Be sure the belt has been installed on the correct side of the idler lever. See figure 5-17.

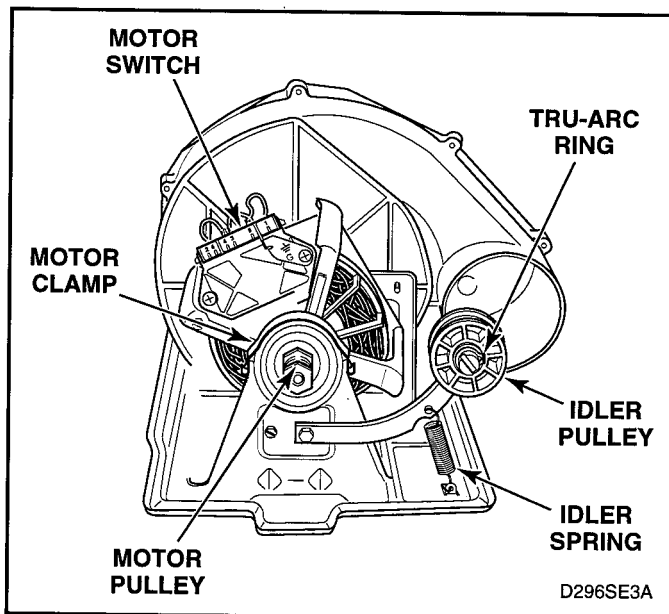


Figure 5-18

- Pull assembly forward and disengage the middle exhaust duct.
- Rotate the assembly 90° counterclockwise and slide out of machine.

- Motor pulley and idler pulley assemblies. See figure 5-18 for motor and idler pulley removal.

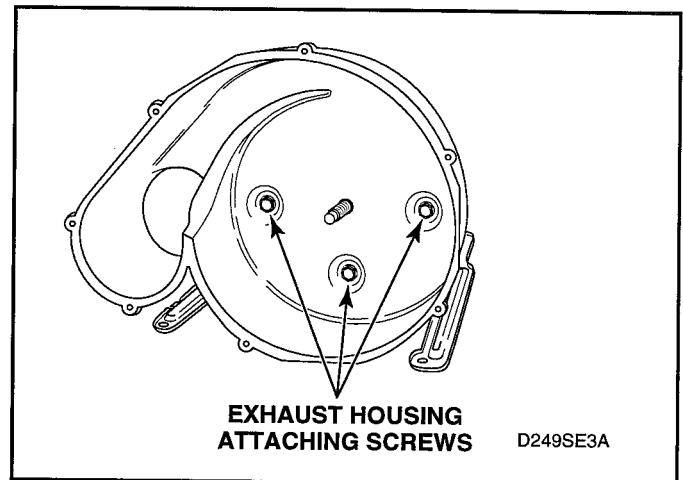


Figure 5-19

**NOTE:** When repairing or replacing the idler arm, it is important to make sure the idler arm moves freely. To ensure that the idler arm can move freely, proceed as follows:

1. Unhook idler spring.
  2. Lift idler arm approximately 3 inches and release. If idler arm does not fall back to the base of the motor mount, then idler arm bolt is too tight.
  3. Loosen idler arm bolt 1/4 turn.
  4. Add grease between idler arm and motor mount.
1. **Impeller and housing.**
    1. Remove screws holding cover to housing. See figure 5-16.
    2. Hold motor pulley securely and unthread impeller from motor shaft (right hand thread). Use a 7/8 inch, 6 point socket to aid in the removal of the impeller.
    3. Remove three screws holding the exhaust housing to the motor mounting bracket. See figure 5-19.



## WARNING

To reduce the risk of electric shock, fire, explosion, serious injury or death:

- Disconnect electric power to the dryer before servicing.
- Close gas shut-off valve to gas dryer before servicing.
- Never start the dryer with any guards/panels removed.
- Whenever ground wires are removed during servicing, these ground wires must be reconnected to ensure that the dryer is properly grounded.

W001

### m. Motor.

1. Disengage motor wire harness terminal block from the motor by pressing in on the movable locking tabs (located on each side of the terminal block) and pulling away from motor. See figures 5-20 and 5-21.

**IMPORTANT:** To avoid an open circuit, **DO NOT** pull on the terminal block wires when removing blocks from motor as this could damage the wires or terminal crimping.

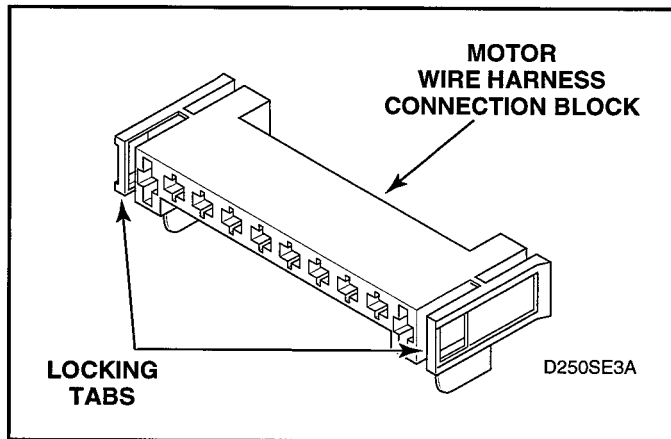


Figure 5-20

Before attaching wire harness terminal block to motor, be sure all the male terminals on motor are straight and are capable of accepting the terminals from the wire harness terminal block.

2. Disconnect ground wire from motor. See figure 5-18.
3. Pry two motor clamps off motor mounting bracket with screwdriver. See figure 5-18, then lift motor out of mounting bracket.

**NOTE:** When replacing motor, motor switch should be at 10 o'clock position. The positioning tab on the motor should be engaged with the anti-rotating notch in the motor bracket.

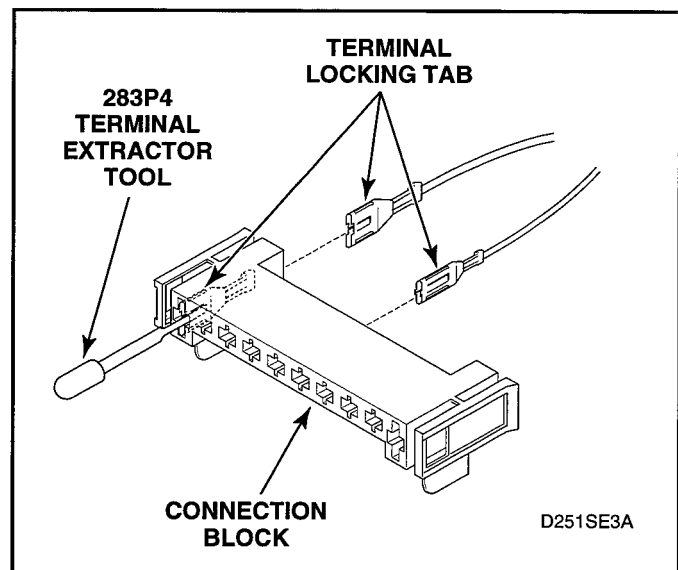


Figure 5-21



## WARNING

To reduce the risk of electric shock, fire, explosion, serious injury or death:

- Disconnect electric power to the dryer before servicing.
- Close gas shut-off valve to gas dryer before servicing.
- Never start the dryer with any guards/panels removed.
- Whenever ground wires are removed during servicing, these ground wires must be reconnected to ensure that the dryer is properly grounded.

W001

### 28. CABINET TOP

- While supporting the lower access panel, remove two screws from bottom edge of lower access panel. See figure 5-9.
- Gently lower the access panel to disengage locators from bottom edge of front panel.
- Remove two screws holding bottom tabs on front panel to dryer side panels. See figure 5-9. Swing bottom of front panel away from dryer far enough to disengage hold-down clips and locators from cabinet top.
- Disconnect wires from door switch. See figure 5-8.

**NOTE:** Refer to appropriate wiring diagram when rewiring switch.

- Remove two cabinet top hold-down screws. See figure 5-22.
- Lift cabinet top to a vertical position by hinging it on the rear top hinges. See figure 5-22.

**NOTE:** Cabinet top may be raised and hinged on the rear hold-down hinges or supported against wall behind dryer while servicing.

- Carefully withdraw wire harness through hole in cabinet top and lift the top off the top hinges. See figure 5-22.

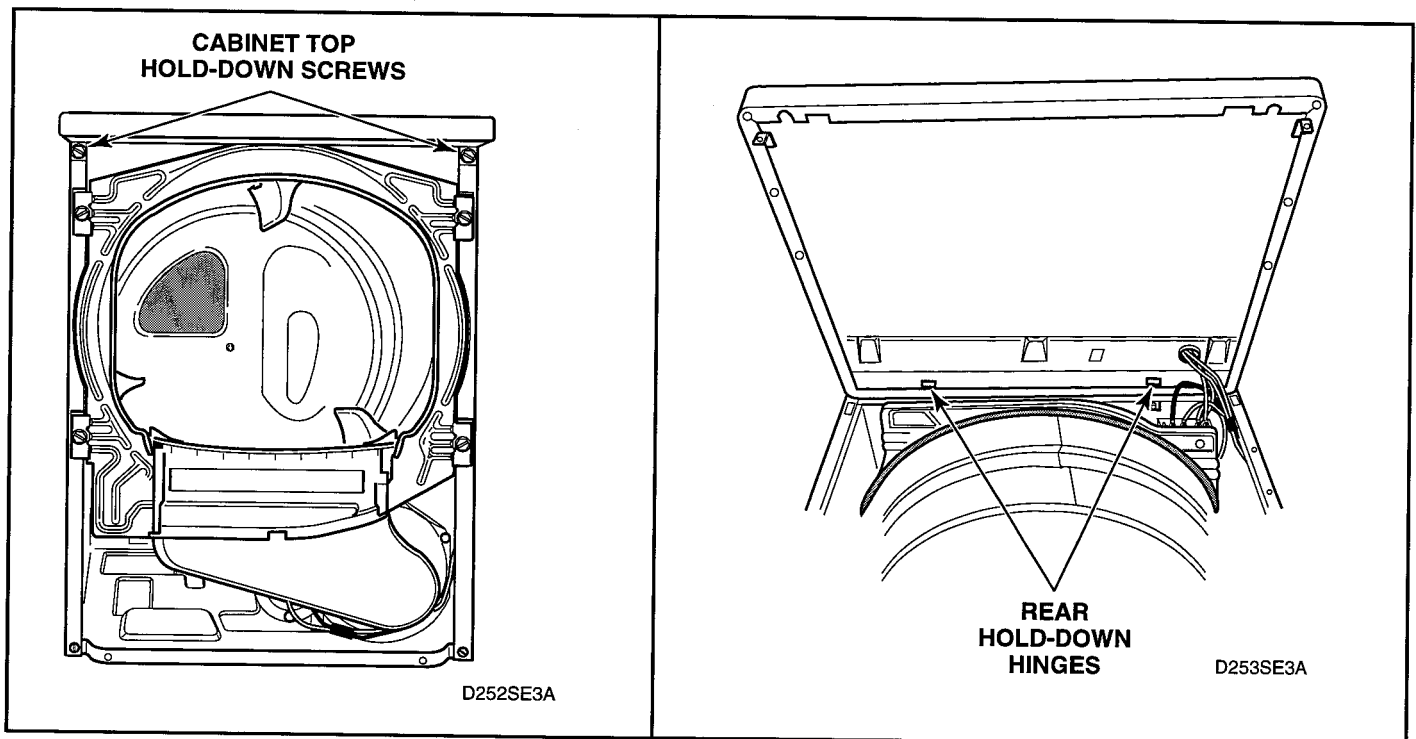


Figure 5-22



## WARNING

To reduce the risk of electric shock, fire, explosion, serious injury or death:

- Disconnect electric power to the dryer before servicing.
- Close gas shut-off valve to gas dryer before servicing.
- Never start the dryer with any guards/panels removed.
- Whenever ground wires are removed during servicing, these ground wires must be reconnected to ensure that the dryer is properly grounded.

W001

### 29. CYLINDER LIGHT (FIGURE 5-23)

- Open loading door and remove screw holding lens to the front bulkhead.
- Turn the bulb counterclockwise and twist out of light receptacle.

### 30. CYLINDER LIGHT RECEPTACLE

(Figure 5-23)

- While supporting the lower access panel, remove two screws from bottom edge of lower access panel. See figure 5-9.
- Gently lower the access panel to disengage locators from bottom edge of front panel.
- Disconnect wires from door switch. See figure 5-8.

- Open loading door and remove screw holding lens to the front bulkhead. See figure 5-23.
- Remove two screws holding bottom tabs on front panel to dryer side panels. See figure 5-9. Swing bottom of front panel away from dryer far enough to disengage hold-down clips and locators from cabinet top.
- Disconnect wires from light receptacle terminals.

**NOTE: Refer to appropriate wiring diagram when rewiring switch.**

- Unsnap and lift light receptacle out of front bulkhead.

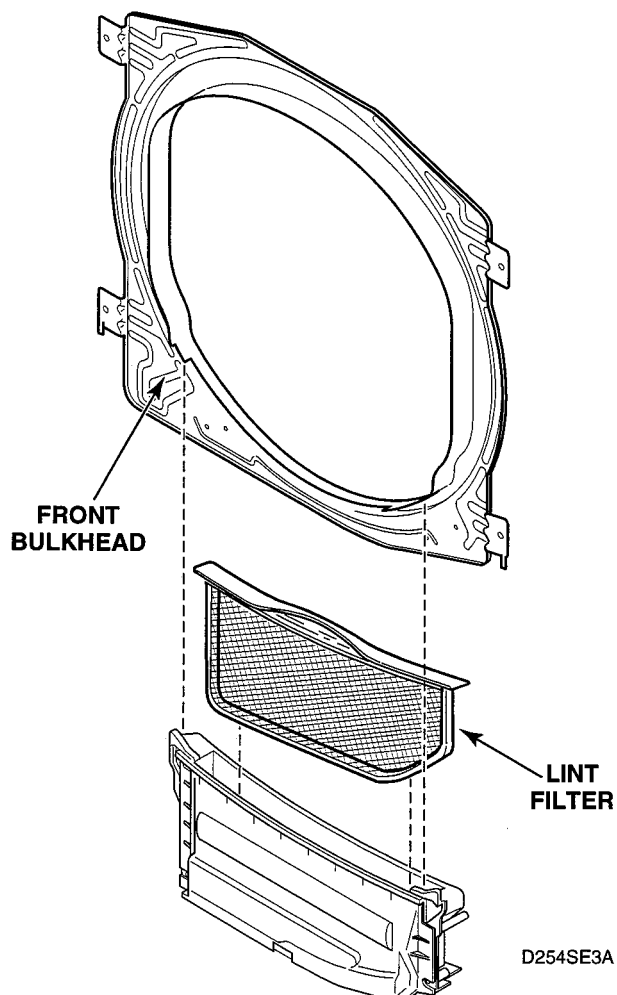


Figure 5-23





## WARNING

To reduce the risk of electric shock, fire, explosion, serious injury or death:

- Disconnect electric power to the dryer before servicing.
- Close gas shut-off valve to gas dryer before servicing.
- Never start the dryer with any guards/panels removed.
- Whenever ground wires are removed during servicing, these ground wires must be reconnected to ensure that the dryer is properly grounded.

W001

### 31. FRONT BULKHEAD ASSEMBLY

- While supporting the lower access panel, remove two screws from bottom edge of lower access panel. See figure 5-9.
- Gently lower the access panel to disengage locators from bottom edge of front panel.
- Remove two screws holding bottom tabs on front panel to dryer side panels. See figure 5-9. Swing bottom of front panel away from dryer far enough to disengage hold-down clips and locators from cabinet top.
- Disconnect wires from door switch. See figure 5-8.

**NOTE:** Refer to appropriate wiring diagram when rewiring switch.

- Disconnect wires to cylinder light housing (if applicable).
- Disconnect wires from moisture sensor terminals (if applicable). See figure 5-27.



## WARNING

To reduce the risk of serious injury or death by carbon monoxide and other gases in gas dryers, carefully read and follow all instructions given in this section.

- Disengage belt from motor and idler pulleys. See figure 5-17.
- Remove four screws holding bulkhead to front flange of cabinet and lift complete bulkhead assembly out of slots in cabinet. See figure 5-24.

**IMPORTANT:** When reassembling, be sure felt seal on exhaust fan cover makes airtight seal on flange of duct. See figure 5-14. If the seal is installed improperly, the airflow through the exhaust system will be restricted which can adversely affect dryer performance.

- Cylinder Glides and Glide Bracket (See figure 5-25.)
  - Unsnap glide from each glide bracket.
  - Remove rivets holding glide bracket to front bulkhead.

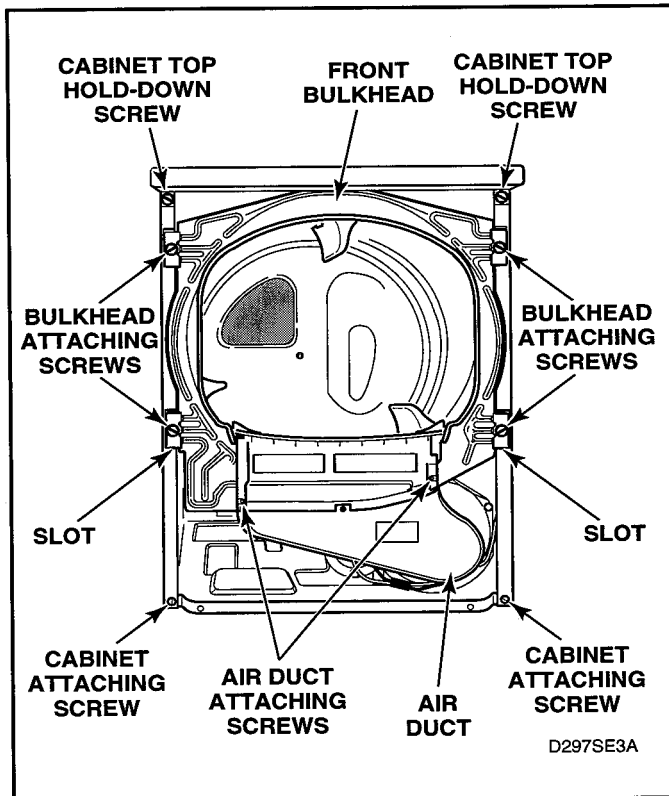


Figure 5-24

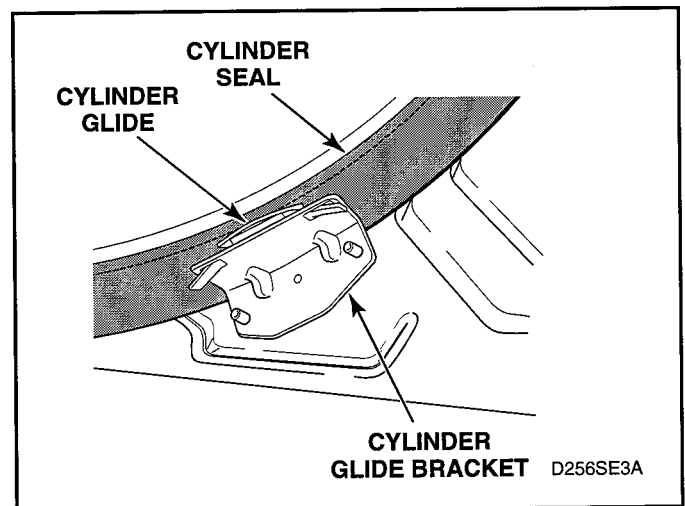


Figure 5-25



## WARNING

To reduce the risk of electric shock, fire, explosion, serious injury or death:

- Disconnect electric power to the dryer before servicing.
- Close gas shut-off valve to gas dryer before servicing.
- Never start the dryer with any guards/panels removed.
- Whenever ground wires are removed during servicing, these ground wires must be reconnected to ensure that the dryer is properly grounded.

W001

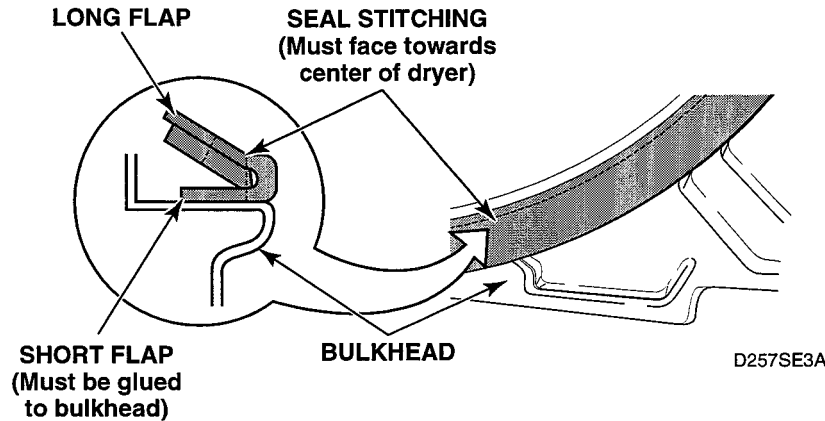


Figure 5-26

j. Front Cylinder Seal (Figure 5-26)

When installing the cylinder seal, it is important to remember these two important steps:

1. The stitching on the seal must face towards the dryer center.
2. The short flap, must be glued to the bulkhead and the long flap left loose.

**IMPORTANT:** The replacement seal can be adhered to the bulkhead using No. 22506P Sealant. This is accomplished by applying a bead of sealant around the entire flanged area where the felt seal contacts the bulkhead.

### 32. MOISTURE SENSOR

- a. While supporting the lower access panel, remove two screws from bottom edge of lower access panel. See figure 5-9.
- b. Gently lower the access panel to disengage locators from bottom edge of front panel.
- c. Remove two screws holding bottom tabs on front panel to dryer side panels. See figure 5-9. Swing bottom of front panel away from dryer far enough to disengage hold-down clips and locators from cabinet top.
- d. Disconnect wires from door switch. See figure 5-8.
- e. Open loading door and lift lint filter out of bulkhead. See figure 5-4.



## WARNING

When installing lint filter, be sure to install the filter with the word "FRONT" facing the front of the dryer. If filter is installed backwards, lint will accumulate in exhaust system, causing fire and machine malfunction.



## WARNING

To reduce the risk of serious injury or death by carbon monoxide and other gases in gas dryers, carefully read and follow all instructions given in this section.

**IMPORTANT:** When reassembling, be sure felt seal on exhaust fan cover makes airtight seal on flange of duct. See figure 5-14. If the seal is installed improperly, the airflow through the exhaust system will be restricted which can adversely affect dryer performance.

- f. Disconnect two wires connected to the moisture sensor. See figure 5-27.
- g. Unsnap moisture sensor bars from air duct.

**NOTE:** For moisture sensor test procedures, refer to SECTION 8.



## WARNING

To reduce the risk of electric shock, fire, explosion, serious injury or death:

- Disconnect electric power to the dryer before servicing.
- Close gas shut-off valve to gas dryer before servicing.
- Never start the dryer with any guards/panels removed.
- Whenever ground wires are removed during servicing, these ground wires must be reconnected to ensure that the dryer is properly grounded.

W001

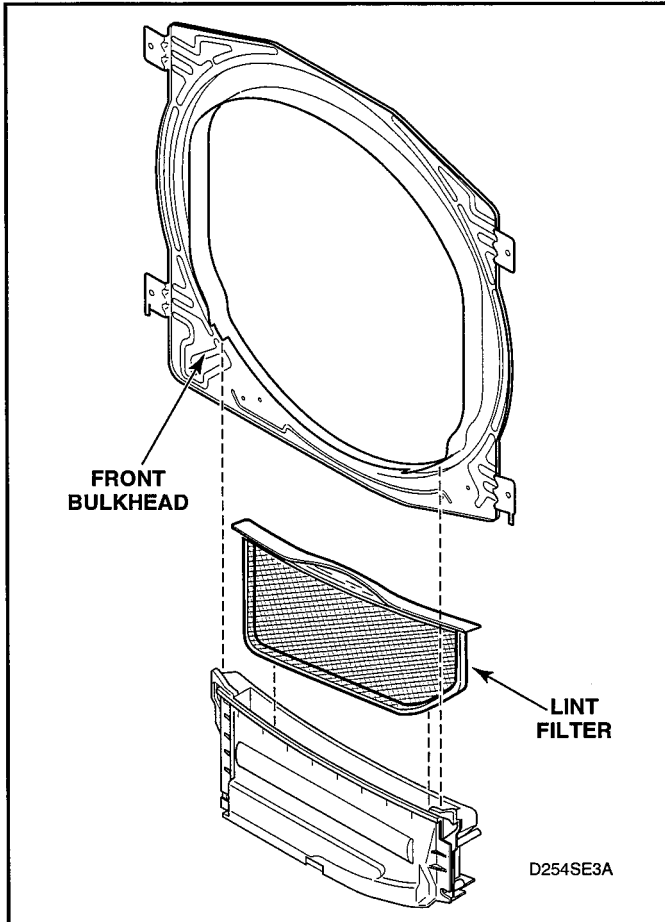


Figure 5-27

### 33. CYLINDER BELT

- While supporting the lower access panel, remove two screws from bottom edge of lower access panel. See figure 5-9.
- Gently lower the access panel to disengage locators from bottom edge of front panel.

- Remove two screws holding bottom tabs on front panel to dryer side panels. See figure 5-9. Swing bottom of front panel away from dryer far enough to disengage hold-down clips and locators from cabinet top.
- Disconnect wires from door switch. See figure 5-8.

**NOTE:** Refer to appropriate wiring diagram when rewiring switch.

- Disengage belt from motor and idler pulleys. See figure 5-17.
- Remove four screws holding bulkhead to front flange of cabinet. Then, lift complete bulkhead assembly out of slots in cabinet. See figure 5-24.



## WARNING

To reduce the risk of serious injury or death by carbon monoxide and other gases in gas dryers, carefully read and follow all instructions given in this section.

**IMPORTANT:** When reassembling, be sure felt seal on exhaust fan cover makes airtight seal on flange of duct. See figure 5-14. If the seal is installed improperly, the airflow through the exhaust system will be restricted which can adversely affect dryer performance.

- While supporting cylinder, carefully remove belt from cylinder.

**NOTE:** Be sure belt is properly installed on motor and idler pulleys, and is on the correct side of the idler lever. See figure 5-17. Belt must be positioned around cylinder between center and rear baffle screws with the ribbed surface against the cylinder. After installing belt, manually rotate cylinder counterclockwise to check that belt is properly aligned.



## WARNING

To reduce the risk of electric shock, fire, explosion, serious injury or death:

- Disconnect electric power to the dryer before servicing.
- Close gas shut-off valve to gas dryer before servicing.
- Never start the dryer with any guards/panels removed.
- Whenever ground wires are removed during servicing, these ground wires must be reconnected to ensure that the dryer is properly grounded.

W001

### 34. CYLINDER ASSEMBLY

- While supporting the lower access panel, remove two screws from bottom edge of lower access panel. See figure 5-9.
- Gently lower the access panel to disengage locators from bottom edge of front panel.
- Remove two screws holding bottom tabs on front panel to dryer side panels. See figure 5-9. Swing bottom of front panel away from dryer far enough to disengage hold-down clips and locators from cabinet top.
- Disconnect wires from door switch. See figure 5-8.

**NOTE: Refer to appropriate wiring diagram when rewiring switch.**

- Disengage belt from motor and idler pulleys. See figure 5-17.

**NOTE: When reinstalling belt, be sure belt is properly installed on motor and idler pulleys, and is on the correct side of the idler lever. See figure 5-17. Belt must be positioned around cylinder between center and rear baffle screws with the ribbed surface against the cylinder. After installing belt, manually rotate cylinder counterclockwise to check that belt is properly aligned.**

- Remove four screws holding bulkhead to front flange of cabinet. Then lift complete bulkhead assembly out of slots in cabinet. See figure 5-24.

**IMPORTANT: When reassembling, be sure felt seal on exhaust fan cover makes airtight seal on flange of duct. See figure 5-14. If the seal is installed improperly, the airflow through the exhaust system will be restricted which can adversely affect dryer performance.**

- Loosen two cabinet top hold-down screws. See figure 5-24.
- Manually rotate cylinder until one of the baffles is at the 6 o'clock position and carefully remove cylinder out through front of dryer.
- Baffles - Remove screws holding baffles to cylinder. See figure 5-28.

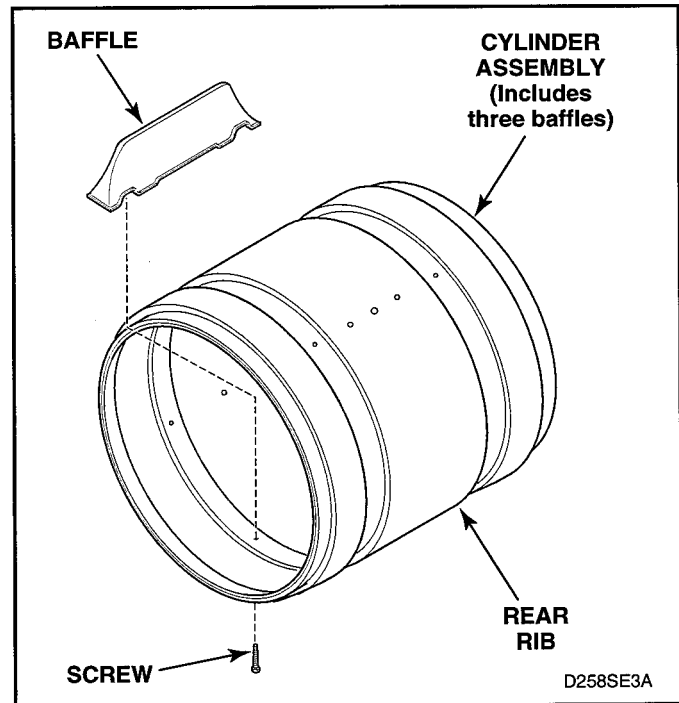


Figure 5-28



## WARNING

To reduce the risk of serious injury or death by carbon monoxide and other gases in gas dryers, carefully read and follow all instructions given in this section.

W005



## WARNING

To reduce the risk of electric shock, fire, explosion, serious injury or death:

- Disconnect electric power to the dryer before servicing.
- Close gas shut-off valve to gas dryer before servicing.
- Never start the dryer with any guards/panels removed.
- Whenever ground wires are removed during servicing, these ground wires must be reconnected to ensure that the dryer is properly grounded.

W001

### 35. REAR SEAL

- a. While supporting the lower access panel, remove two screws from bottom edge of lower access panel. See figure 5-9.
- b. Gently lower the access panel to disengage locators from bottom edge of front panel.
- c. Remove two screws holding bottom tabs on front panel to dryer side panels. See figure 5-9. Swing bottom of front panel away from dryer far enough to disengage hold-down clips and locators from cabinet top.
- d. Disconnect wires from door switch. See figure 5-8.

**NOTE:** Refer to appropriate wiring diagram when rewiring switch.

- e. Remove two cabinet top hold-down screws. See figure 5-22.
- f. Lift cabinet top to a vertical position by hinging it on the rear hold-down hinges. See figure 5-22.

**NOTE:** Cabinet top may be raised and hinged on the rear hold-down hinges, or supported against a wall behind the dryer.

- g. Disengage belt from motor and idler pulleys. See figure 5-18.

**NOTE:** When reinstalling belt, be sure belt is properly installed on motor and idler pulleys and is on the correct side of the idler lever. See figure 5-17. Belt must be positioned between center and rear baffle screws with the ribbed surface against the cylinder. After installing belt, manually rotate cylinder counterclockwise to check that belt is properly aligned.

- h. Remove four screws holding bulkhead to front flange of cabinet. Then, lift complete bulkhead assembly out of slots in cabinet. See figure 5-24.



## WARNING

To reduce the risk of serious injury or death by carbon monoxide and other gases in gas dryers, carefully read and follow all instructions given in this section.

W005

**IMPORTANT:** When reassembling, be sure felt seal on exhaust fan cover makes airtight seal on flange of duct. See figure 5-14. If the seal is installed improperly, the airflow through the exhaust system will be restricted which can adversely affect dryer performance.

- i. Manually rotate cylinder until one of the baffles is at the 6 o'clock position and carefully remove cylinder out through front of dryer.
- j. Pull rear cylinder seal from flanged edge of bulkhead. See figure 5-29.

**NOTE:** When installing the cylinder seal, it is important to remember these two important steps:

- (1) The stitching on the seal must face towards the dryer center. See figure 5-26.
- (2) The short flap, shown in figure 5-26, must be glued to the bulkhead and the long flap left loose.

**IMPORTANT:** The seal can be adhered to the bulkhead using replacement sealant No. 22506P. This is accomplished by applying a bead of sealant around the entire flanged area where the felt seal contacts the bulkhead.



## WARNING

To reduce the risk of electric shock, fire, explosion, serious injury or death:

- Disconnect electric power to the dryer before servicing.
- Close gas shut-off valve to gas dryer before servicing.
- Never start the dryer with any guards/panels removed.
- Whenever ground wires are removed during servicing, these ground wires must be reconnected to ensure that the dryer is properly grounded.

W001

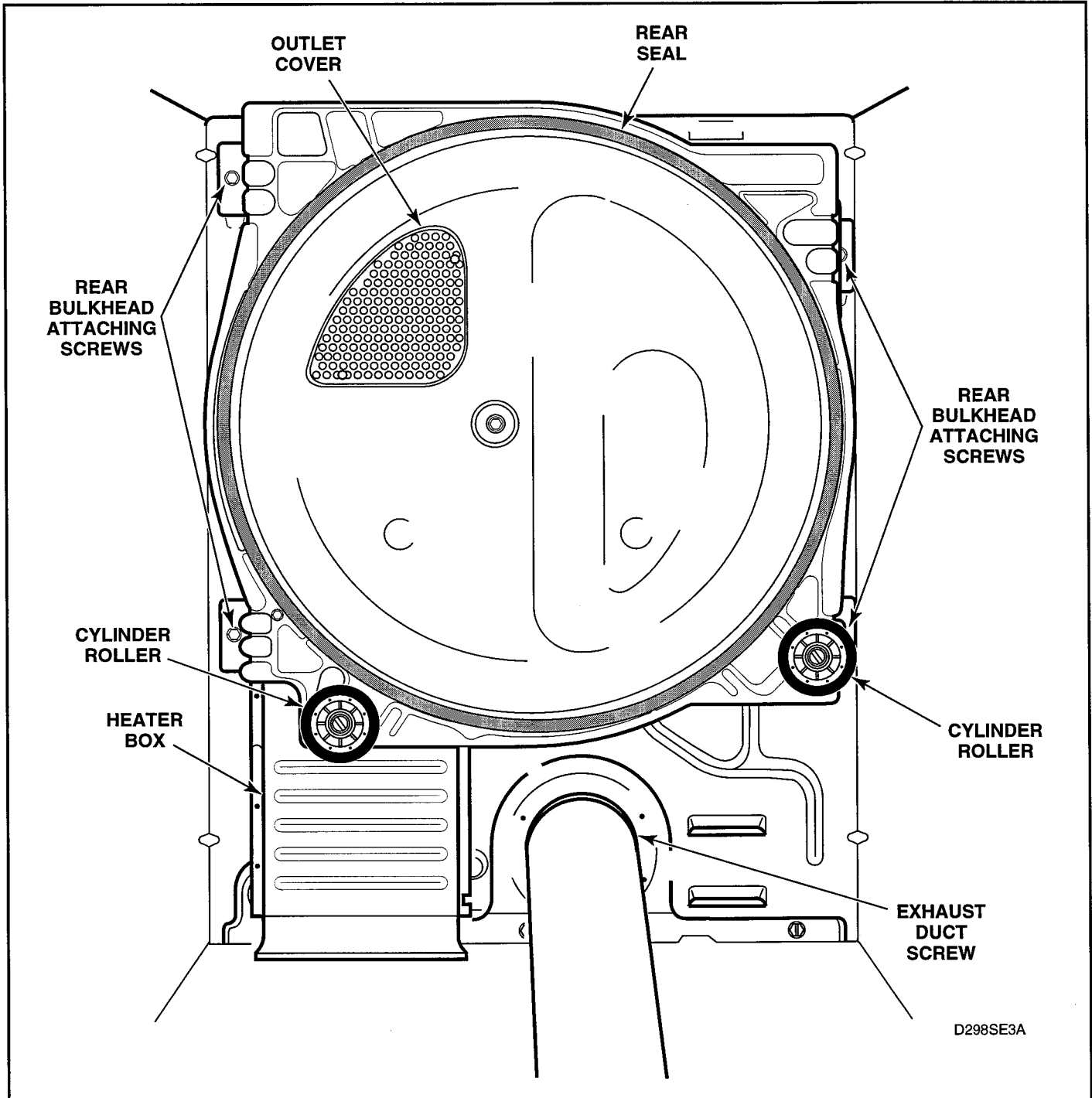


Figure 5-29



## WARNING

To reduce the risk of electric shock, fire, explosion, serious injury or death:

- Disconnect electric power to the dryer before servicing.
- Close gas shut-off valve to gas dryer before servicing.
- Never start the dryer with any guards/panels removed.
- Whenever ground wires are removed during servicing, these ground wires must be reconnected to ensure that the dryer is properly grounded.

W001

### 36. CYLINDER ROLLERS

- While supporting the lower access panel, remove two screws from bottom edge of lower access panel. See figure 5-9.
- Gently lower the access panel to disengage locators from bottom edge of front panel.
- Remove two screws holding bottom tabs on front panel to dryer side panels. See figure 5-9. Swing bottom of front panel away from dryer far enough to disengage hold-down clips and locators from cabinet top.
- Disconnect wires from door switch. See figure 5-8.

**NOTE: Refer to appropriate wiring diagram when rewiring switch.**

- Disengage belt from motor and idler pulleys. See figure 5-17.
- Remove four screws holding bulkhead to front flange of cabinet. Then lift complete bulkhead assembly out of slots in cabinet. See figure 5-24.



## WARNING

To reduce the risk of serious injury or death by carbon monoxide and other gases in gas dryers, carefully read and follow all instructions given in this section.

W005

**IMPORTANT:** When reassembling, be sure felt seal on exhaust fan cover makes airtight seal on flange of duct. See figure 5-14. If the seal is installed improperly, the airflow through the exhaust system will be restricted which can adversely affect dryer performance.

- Pull cylinder forward allowing rear of cylinder to drop down exposing rollers. See figure 5-30.
- See figure 5-30 for removal of roller from bulkhead.

**NOTE:** When replacing the cylinder roller, it is important that cylinder roller is installed with the flanged surface of the roller bearing facing towards the front of the dryer.

### 37. OUTLET COVER

**NOTE: Outlet Cover is not removable from the Heater Box Assembly that originally came with the dryer. It is only removable from the replacement Heater Box Assembly, Part No. 503607P.**

- Open door and remove two screws (if present) holding outlet cover to rear bulkhead. See figure 5-29.

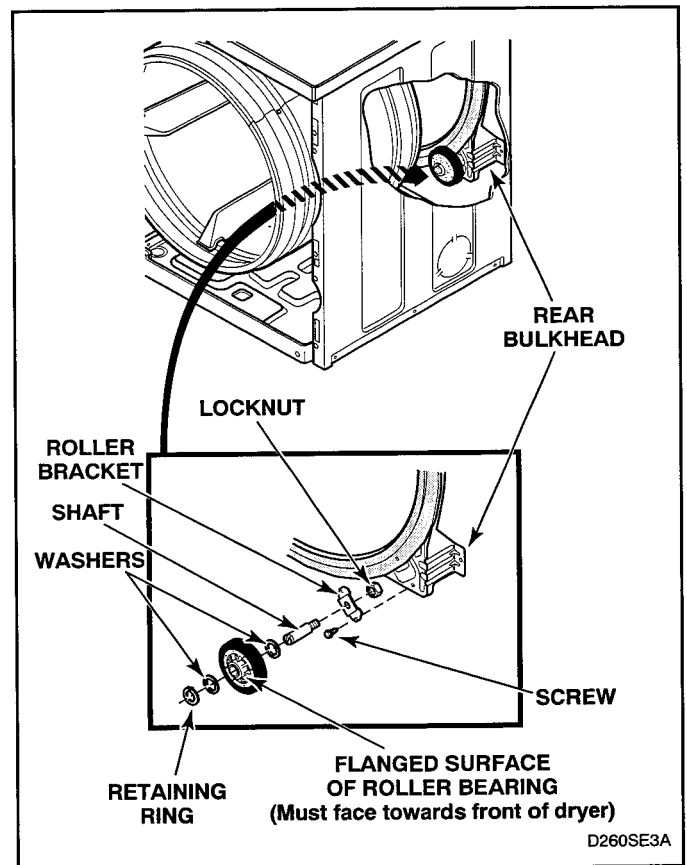


Figure 5-30



## WARNING

To reduce the risk of electric shock, fire, explosion, serious injury or death:

- Disconnect electric power to the dryer before servicing.
- Close gas shut-off valve to gas dryer before servicing.
- Never start the dryer with any guards/panels removed.
- Whenever ground wires are removed during servicing, these ground wires must be reconnected to ensure that the dryer is properly grounded.

W001

### 38. REAR BULKHEAD AND HEATER BOX

- a. While supporting the lower access panel, remove two screws from bottom edge of lower access panel. See figure 5-9.
- b. Gently lower the access panel to disengage locators from bottom edge of front panel.
- c. Remove two screws from bottom tabs on front panel. See figure 5-9. Swing bottom of front panel away from dryer far enough to disengage hold-down clips and locators from cabinet top.
- d. Disconnect wires from door switch. See figure 5-8.

**NOTE: Refer to appropriate wiring diagram when rewiring switch.**

- e. Disengage belt from motor and idler pulleys. See figure 5-17.

**NOTE: When reinstalling belt, be sure belt is properly installed on motor and idler pulleys and is on the correct side of the idler lever. See figure 5-17. Belt must be positioned around cylinder between center and rear baffle screws with the ribbed surface against the cylinder. After installing belt, manually rotate cylinder counterclockwise to check that belt is properly aligned.**

- f. Remove four screws holding bulkhead to front flange of cabinet. Then lift complete bulkhead assembly out of slots in cabinet. See figure 5-24.

- g. Loosen two cabinet top hold-down screws. See figure 5-22.
- h. Manually rotate cylinder until one of the baffles is at the 6 o'clock position and carefully remove cylinder out through front of dryer.
- i. **Gas Models:**
  1. Disconnect igniter wires at disconnect blocks, sensor wires from flame sensor terminals, and wires from gas valve coils at the quick disconnect blocks. See figure 5-11.
  2. Remove burner tube attaching screw from right side of burner housing, while holding burner tube in place. See figure 5-13.
  3. Gently move burner tube toward rear of dryer to disengage tab from slot on left side of burner housing. See figure 5-12.
  4. Carefully rotate burner tube and igniter **counterclockwise** so tab is at the 8 o'clock position.
  5. Move air shutter end of burner tube slightly to right and **CAREFULLY** remove burner tube and igniter assembly out through front of dryer. See figure 5-12.

**IMPORTANT: The igniter is very fragile. Be careful not to damage it during removal.**

6. Remove screw holding burner housing to heat shroud. See figure 5-11.
7. Remove screw holding front of burner housing to dryer base and remove housing out through front of dryer. See figure 5-13.
8. Remove four screws holding shroud to heater box, and remove shroud out through front of dryer. See figure 5-11.



## WARNING

To reduce the risk of serious injury or death by carbon monoxide and other gases in gas dryers, carefully read and follow all instructions given in this section.

W005

**IMPORTANT: When reassembling, be sure felt seal on exhaust fan cover makes airtight seal on flange of duct. See figure 5-14. If the seal is installed improperly, the airflow through the exhaust system will be restricted which can adversely affect dryer performance.**





## WARNING

To reduce the risk of electric shock, fire, explosion, serious injury or death:

- Disconnect electric power to the dryer before servicing.
- Close gas shut-off valve to gas dryer before servicing.
- Never start the dryer with any guards/panels removed.
- Whenever ground wires are removed during servicing, these ground wires must be reconnected to ensure that the dryer is properly grounded.

W001

j. **Electric Models:**

Remove two screws holding element and plate to heater box, then pull element down and away from heater box. See figure 5-13.

- k. While supporting bulkhead, remove the four screws holding rear bulkhead to dryer cabinet, then lift complete assembly out of dryer. See figure 5-29.

- l. To remove heater box from rear bulkhead, See figure 5-31.

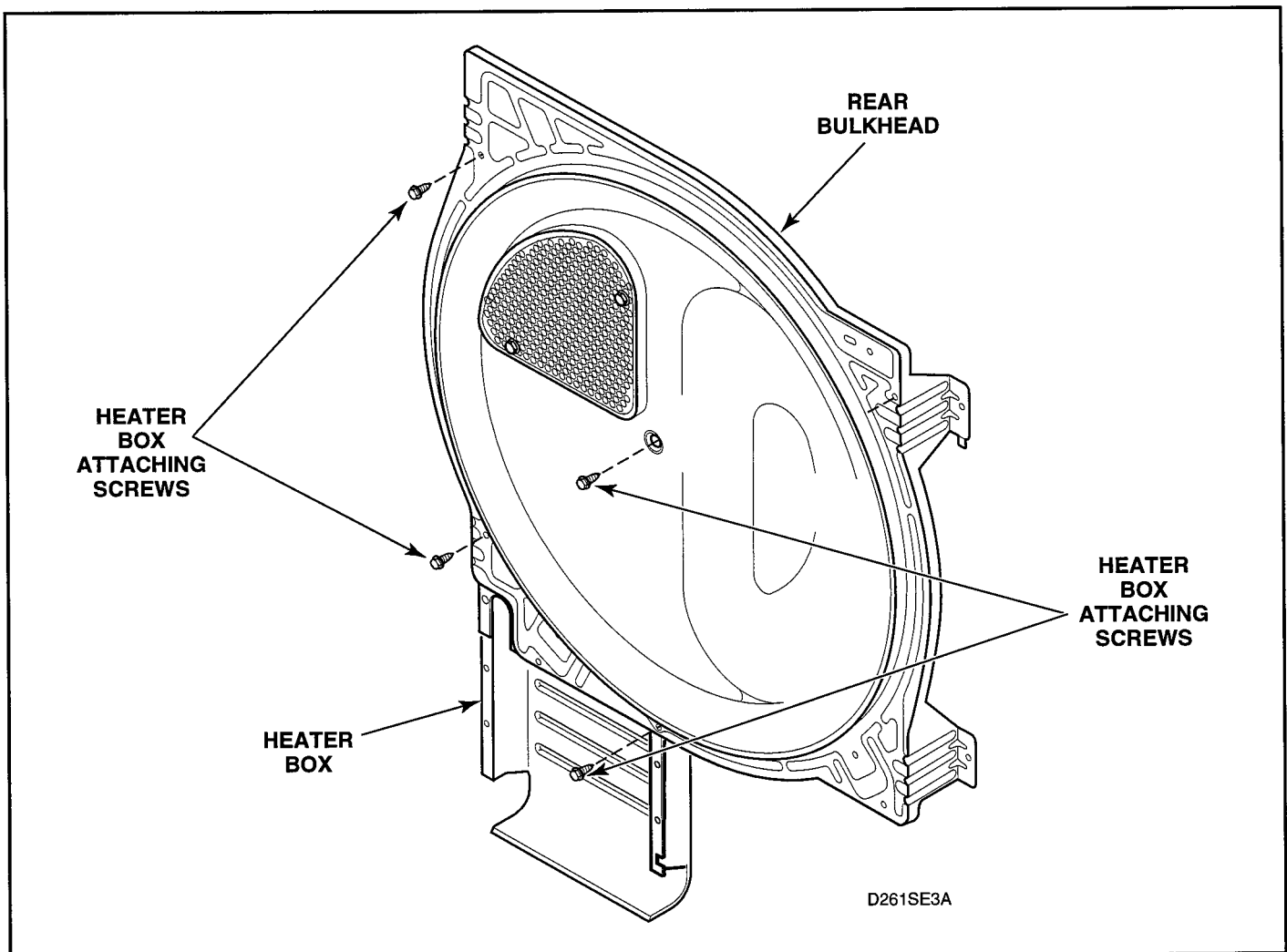


Figure 5-31



## WARNING

To reduce the risk of electric shock, fire, explosion, serious injury or death:

- Disconnect electric power to the dryer before servicing.
- Close gas shut-off valve to gas dryer before servicing.
- Never start the dryer with any guards/panels removed.
- Whenever ground wires are removed during servicing, these ground wires must be reconnected to ensure that the dryer is properly grounded.

W001

### 39. TERMINAL BLOCK OR POWER CORD

#### a. Terminal Block:

1. While supporting the lower access panel, remove two screws from bottom edge of lower access panel. See figure 5-9.
2. Gently lower the access panel to disengage locators from bottom edge of front panel.
3. Remove two screws holding bottom tabs on front panel to dryer side panels. See figure 5-9. Swing bottom of front panel away from dryer far enough to disengage hold-down clips and locators from cabinet top.
4. Disconnect wires from door switch. See figure 5-8.
5. Remove two cabinet hold-down screws. See figure 5-22.
6. Lift cabinet top to a vertical position by hinging it on the rear hold-down brackets. See figure 5-22.

**NOTE: When servicing, cabinet top may be raised and hinged on the rear hold-down brackets, or supported against wall behind the dryer.**

7. Remove all wires from terminal block. (Refer to appropriate wiring diagram when rewiring terminal block).
8. Remove screw holding terminal block to rear bulkhead. See figure 5-32.

**NOTE: Refer to appropriate wiring diagram when rewiring switch.**

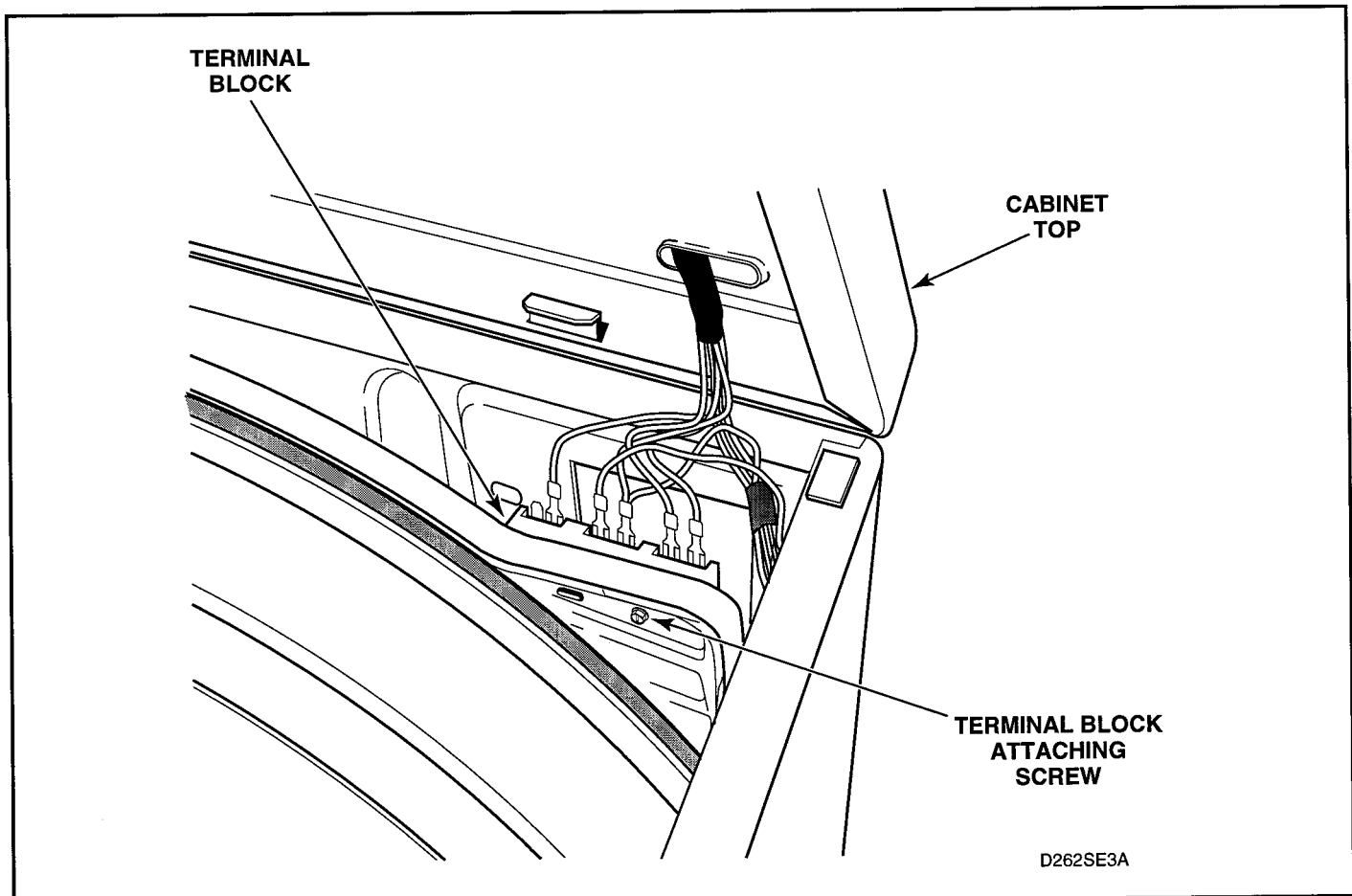


Figure 5-32



## WARNING

To reduce the risk of electric shock, fire, explosion, serious injury or death:

- Disconnect electric power to the dryer before servicing.
- Close gas shut-off valve to gas dryer before servicing.
- Never start the dryer with any guards/panels removed.
- Whenever ground wires are removed during servicing, these ground wires must be reconnected to ensure that the dryer is properly grounded.

W001

### b. Power Cord:

1. Remove access plate on rear of cabinet.
2. Remove strain relief.
3. Remove screw holding power cord ground wire to rear bulkhead. See figure 5-33.

4. Disconnect molex plug and remove power cord from rear of dryer cabinet.

**NOTE:** Reinstall screw and ground wires into same hole in bulkhead when reinstalling power cord.

**NOTE:** A qualified electrician should check the polarity of the wall receptacle. If a voltage reading is measured other than that illustrated, the qualified electrician should correct the problem.

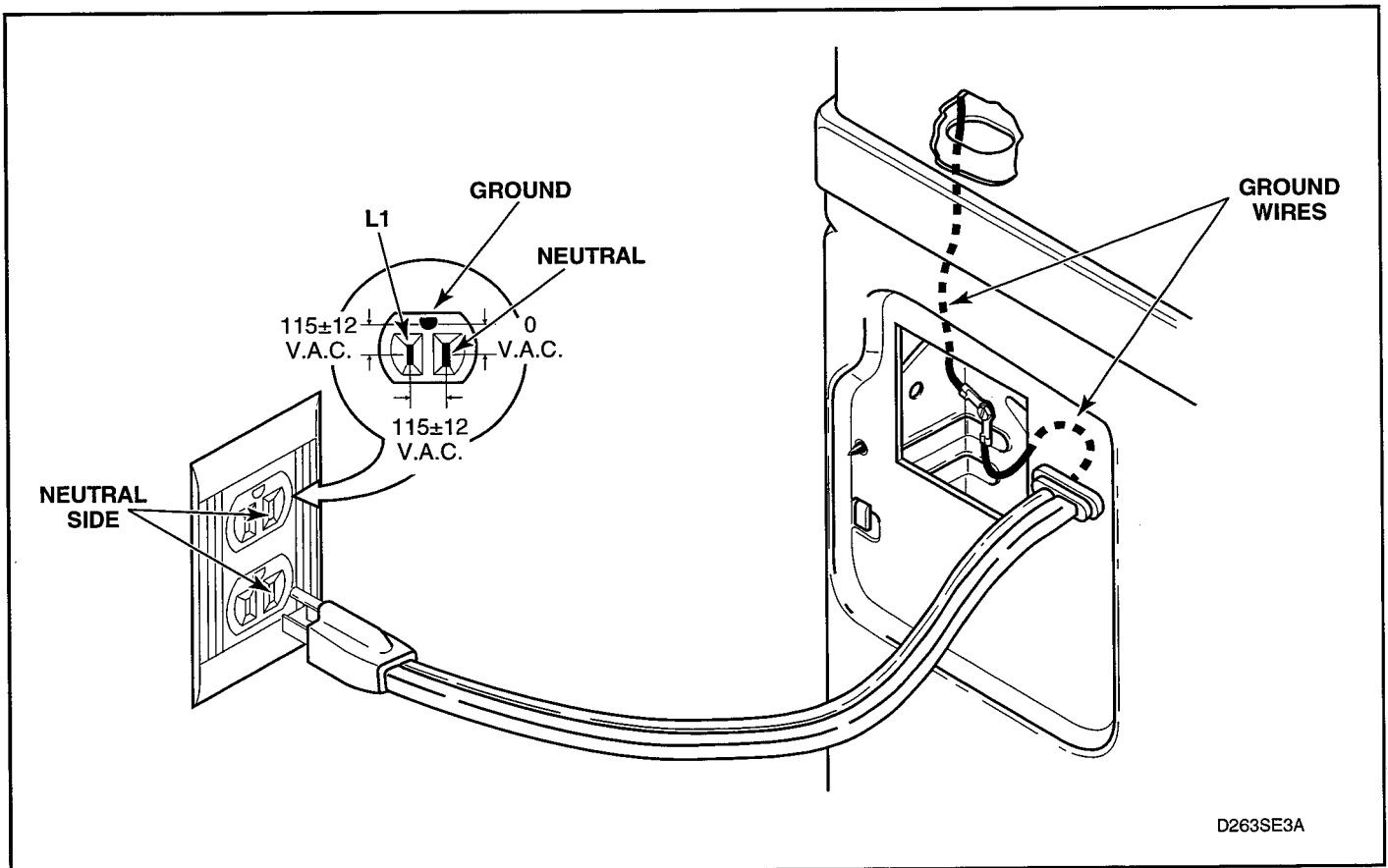


Figure 5-33



## WARNING

To reduce the risk of electric shock, fire, explosion, serious injury or death:

- Disconnect electric power to the dryer before servicing.
- Close gas shut-off valve to gas dryer before servicing.
- Never start the dryer with any guards/panels removed.
- Whenever ground wires are removed during servicing, these ground wires must be reconnected to ensure that the dryer is properly grounded.

W001

### 40. TERMINAL BLOCK TERMINALS

Remove terminals from the plastic connector block using No. 283P4 Terminal Extractor Tool as follows:

- a. Insert the tool into the plastic connector block on the back of the terminal being removed. See figure 5-21.
- b. Apply tool pressure to compress the terminal locking tab on terminal and force the terminal out back side of plastic connector block. See figure 5-21.

To install terminal in plastic connector block, insert terminal (with wire securely crimped in place) into back side of plastic connector block. Push terminal into plastic connector block until locking tab on terminal spreads and holds terminal in place.

### 41. CABINET

- a. Remove the three screws holding the control assembly to the control hood rear panel. See figures 5-1, 5-2, 5-3 or 5-5.
- b. Rotate the assembly forward to access inner wiring.
- c. Disconnect wiring from inner components and carefully remove components from control hood assembly.

**NOTE: Refer to appropriate wiring diagram when rewiring component parts.**

- d. Rotate control hood assembly forward and lift to free assembly from hold-down clips.
- e. Remove two screws from bottom edge of lower front access panel. See figure 5-9.
- f. Swing bottom of panel away from dryer to disengage hold-down clips and locators from bottom edge of front panel.

- g. Remove two screws holding bottom tabs on front panel to dryer side panels. See figure 5-9. Swing bottom of front panel away from dryer far enough to disengage hold-down clips and locators from cabinet top.
- h. Disconnect wires from door switch. See figure 5-8.

**NOTE: Refer to appropriate wiring diagram when rewiring switch.**

- i. Remove two cabinet top hold-down screws. See figure 5-22.
- j. Lift cabinet top to a vertical position by hinging it on the rear hold-down brackets. See figure 5-22.

**NOTE: Cabinet top may be raised and hinged on the rear hold-down hinges or supported against wall behind dryer while servicing.**

- k. Carefully withdraw wire harness through hole in cabinet top and lift the top off the hold-down hinges with timer case attached. See figure 5-22.
- l. Disengage belt from motor and idler pulleys. See figure 5-17.

**NOTE: When reinstalling belt, be sure belt is properly installed on motor and idler pulleys and is on the correct side of the idler lever. See figure 5-17. Belt must be positioned around cylinder between center and rear baffle screws with the ribbed surface against the cylinder. After installing belt, manually rotate cylinder counterclockwise to check that belt is properly aligned.**

- m. Remove four screws holding bulkhead to front flange of cabinet and lift complete bulkhead assembly out of slots in cabinet. See figure 5-24.
- n. Manually rotate cylinder until one of the baffles is at the 6 o'clock position and carefully remove cylinder out through front of dryer.



## WARNING

To reduce the risk of electric shock, fire, explosion, serious injury or death:

- Disconnect electric power to the dryer before servicing.
- Close gas shut-off valve to gas dryer before servicing.
- Never start the dryer with any guards/panels removed.
- Whenever ground wires are removed during servicing, these ground wires must be reconnected to ensure that the dryer is properly grounded.

W001

### o. Gas Models:

1. Disconnect igniter wires at disconnect blocks, sensor wires from flame sensor terminals, and wires from gas valve coils at the quick disconnect blocks. See figure 5-11.
2. Remove screw from right side of burner housing holding burner tube in place. See figure 5-13.
3. Gently move burner tube toward rear of dryer to disengage tab from slot on left side of burner housing. See figure 5-11.
4. Carefully rotate burner tube and igniter **counterclockwise** so tab is at the 8 o'clock position.
5. Move air shutter end of burner tube slightly to right and **CAREFULLY** remove burner tube and igniter assembly out through front of dryer.

**IMPORTANT: The igniter is very fragile. Be careful not to damage it during removal.**

6. Remove screw holding burner housing to heat shroud. See figure 5-11.
7. Remove screw holding front of burner housing to dryer base and remove housing out through front of dryer. See figure 5-11.
8. Remove four screws holding shroud to heater box. Remove shroud out through front of dryer. See figure 5-11.

### p. Electric Models:

Remove two screws holding element and plate to heater box, then pull element down and away from heater box. See figure 5-13.

- q. Remove screw holding heat shield to dryer base. See figure 5-29.
- r. While supporting bulkhead, remove screws holding bulkhead to rear of dryer cabinet, and remove assembly out of dryer. See figure 5-29.

- s. Remove screw holding exhaust duct to dryer cabinet and pull duct out of cabinet. See figure 5-29.
- t. Remove two screws from each rear cabinet top hold-down bracket. See figure 5-24.
- u. Remove screw holding access plate and remove plate.
- v. Remove wire harness clips.
- w. Remove locators and screws.
- x. Remove two screws from front edge at each side of cabinet. See figure 5-24. Then remove remaining screws from around bottom of cabinet and lift cabinet off base.

### 42. BASE

- a. While supporting the lower access panel, remove two screws from bottom edge of lower access panel. See figure 5-9.
- b. Gently lower the access panel to disengage locators from bottom edge of front panel.
- c. Remove two screws holding bottom tabs on front panel to dryer side panels. See figure 5-9. Swing bottom of front panel away from dryer far enough to disengage hold-down clips and locators from cabinet top.
- d. Disconnect wires from door switch. See figure 5-8.

**NOTE: Refer to appropriate wiring diagram when rewiring switch.**



## WARNING

To reduce the risk of serious injury or death by carbon monoxide and other gases in gas dryers, carefully read and follow all instructions given in this section.

W005



## WARNING

To reduce the risk of electric shock, fire, explosion, serious injury or death:

- Disconnect electric power to the dryer before servicing.
- Close gas shut-off valve to gas dryer before servicing.
- Never start the dryer with any guards/panels removed.
- Whenever ground wires are removed during servicing, these ground wires must be reconnected to ensure that the dryer is properly grounded.

W001

### e. Gas Models:

1. Disconnect igniter wires at disconnect blocks, sensor wires from flame sensor terminals, and wires from gas valve coils at the quick disconnect blocks. See figure 5-11.
2. Close main gas shut-off valve.
3. Disconnect gas line to dryer.
4. Remove three screws holding gas valve bracket to base and remove valve with attached lead-in pipe. See figure 5-11.
5. Remove screw holding burner tube in place from right side of burner housing. See figure 5-13.
6. Gently move burner tube toward rear of dryer to disengage tab from slot on left side of burner housing. See figure 5-11.
7. Carefully rotate burner tube and igniter counterclockwise so tab is at the 8 o'clock position, and CAREFULLY remove burner tube and igniter assembly out through front of dryer.

**IMPORTANT: The igniter is very fragile. Be careful not to damage it during removal.**

8. Remove screw holding front of burner housing to dryer base. See figure 5-13.
9. Remove four screws holding shroud to heater box and remove shroud and burner housing out through front of dryer. See figure 5-11.

### f. Electric Models:

1. Remove two screws holding element and plate to heater box, then pull element down and away from heater box. See figure 5-13.
  2. Disconnect wire harness from limit thermostat, thermal fuse and/or heating element. See figure 5-13.
- g. Remove screw holding heat shield to dryer base. See figure 5-31.
- h. Remove lint filter screws and lint filter. See figure 5-4.
- i. Remove screws holding air duct to front bulkhead and remove air duct. See figure 5-15.

**IMPORTANT: When reassembling, be sure felt seal on exhaust fan cover makes airtight seal on flange of duct. See figure 5-14. If the seal is installed improperly, the airflow through the exhaust system will be restricted which can adversely affect dryer performance.**

- j. Disconnect wires from thermostat and heater. See figure 5-16.

**NOTE: Refer to appropriate wiring diagram when rewiring thermostat and heater.**

- k. Remove cylinder belt from idler and motor pulleys. See figure 5-17.
- l. Remove two screws holding motor mounting bracket to dryer base. Then pull complete assembly forward to disengage middle exhaust duct.
- m. Rotate the assembly **counterclockwise** 90° and slide out front of machine.
- n. Disconnect wires from motor switch and remove harness clip from motor bracket. See figure 5-18. Then, set motor and exhaust assembly off to the side.
- o. Remove screw holding bracket on exhaust duct to rear of cabinet and pull duct out of cabinet. See figure 5-29.

**IMPORTANT: When reinstalling motor and exhaust assembly, be sure wire harness on right side is clipped to motor mounting bracket and is routed along dryer base (between motor mounting bracket and right side of cabinet). See figure 5-15. Tab on rear of motor mounting bracket must be slid into slot in dryer base. Be sure the belt has been installed on the correct side of the idler lever. See figure 5-17.**

- p. Remove two screws from front edge at each side of cabinet. See figure 5-24. Then remove remaining screws from around bottom of cabinet and lift cabinet off base.
- q. Remove leveling legs from base and reinstall on new base. See figure 6-1.

# SECTION 6

## Adjustments



### WARNING

To reduce the risk of electric shock, fire, explosion, serious injury or death:

- Disconnect electric power to the dryer before servicing.
- Close gas shut-off valve to gas dryer before servicing.
- Never start the dryer with any guards/panels removed.
- Whenever ground wires are removed during servicing, these ground wires must be reconnected to ensure that the dryer is properly grounded.

W001

#### 1. LEVELING LEGS (Figure 6-1)

**NOTE:** Dryer should be installed on a solid and level floor.

- Place dryer in position, adjusting the legs until dryer is level.

**NOTE:** Legs can be adjusted outside the dryer by using a 1-1/4 inch size wrench, or from inside the dryer (with lower front access panel removed) by using a 1/4 inch drive ratchet with extension.

- Keep dryer as close to the floor as possible. All four legs must rest firmly on the floor so weight of the dryer is evenly distributed. The dryer **MUST NOT** rock.



### WARNING

To reduce the risk of serious injury or death by carbon monoxide and other gases in gas dryers, carefully read and follow all instructions given in this section.

**IMPORTANT:** DO NOT move the dryer at any time unless the dryer is completely assembled. DO NOT slide the dryer across the floor once the leveling legs have been extended as the legs and base could become damaged.

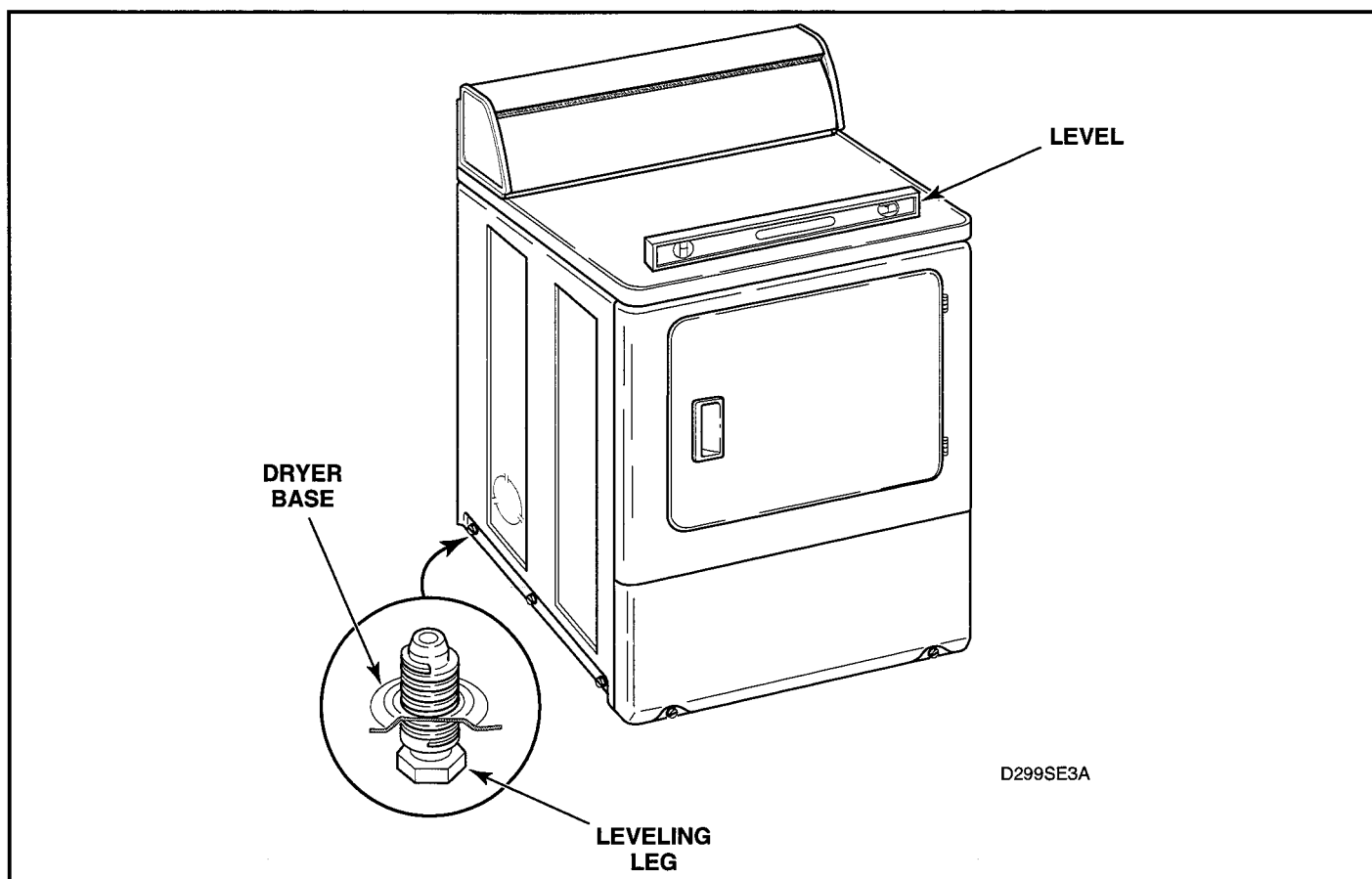


Figure 6-1



## WARNING

To reduce the risk of electric shock, fire, explosion, serious injury or death:

- Disconnect electric power to the dryer before servicing.
- Close gas shut-off valve to gas dryer before servicing.
- Never start the dryer with any guards/panels removed.
- Whenever ground wires are removed during servicing, these ground wires must be reconnected to ensure that the dryer is properly grounded

W001

### 2. BURNER FLAME – Gas Models

- While supporting the lower access panel, remove two screws from bottom edge of lower access panel. See figure 5-9.
- Gently lower the access panel to disengage locators from bottom edge of front panel.
- Set timer at “60” minutes.
- Close the loading door. Start the dryer in a heat setting (refer to Operating Instructions supplied with the dryer). The dryer will start, the igniter will glow red, and the main burner will ignite.
- Allow the dryer to operate for approximately five minutes, then loosen the air shutter lockscrew. See figure 6-2.

- Turn the air shutter to the left to get a luminous yellow tipped flame, then turn it back slowly to the right to obtain a steady blue flame.
- After proper flame is obtained, tighten air shutter lockscrew securely. See figure 6-2.
- Reinstall lower front access panel and screws.



## WARNING

To reduce the risk of fire or serious injury, the access door must be in place during normal operation.

After the dryer has operated for approximately three minutes, exhaust air or exhaust pipe should be warm.

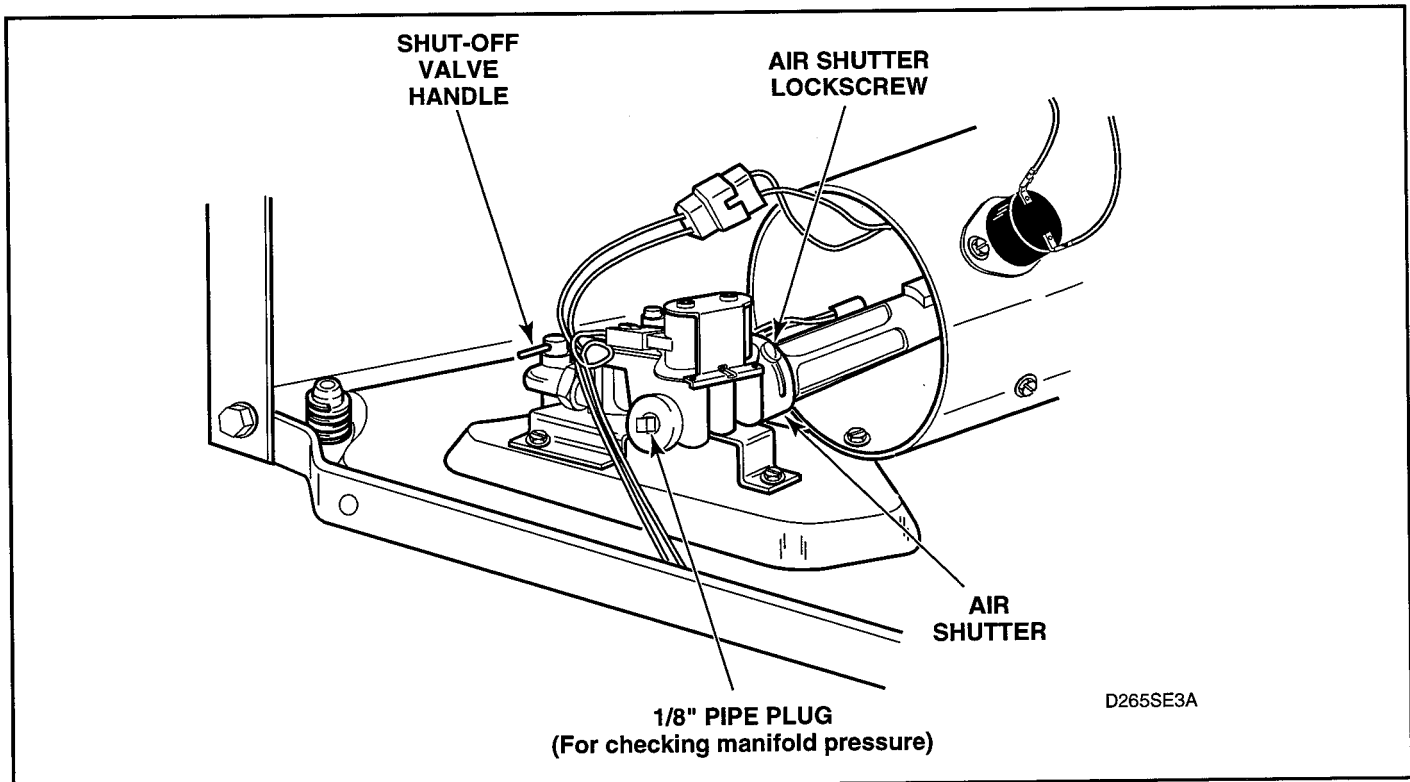


Figure 6-2



# SECTION 7

## Test Procedures



### WARNING

To reduce the risk of electric shock, fire, explosion, serious injury or death:

- Disconnect electric power to the dryer before servicing.
- Close gas shut-off valve to gas dryer before servicing.
- Never start the dryer with any guards/panels removed.
- Whenever ground wires are removed during servicing, these ground wires must be reconnected to ensure that the dryer is properly grounded.

W001

**IMPORTANT:** Electrical test procedures in this service manual are performed by using a Volt-Ohm meter. Tests can also be performed using a multi-meter or any other electrical testing equipment with which the service person is familiar.

#### 1. DRIVE MOTOR (Figure 7-1)

- a. Remove motor and exhaust assembly. Refer to Section 5, paragraph 27.
- b. Disconnect motor wire harness at motor disconnect block.

**NOTE:** Refer to appropriate wiring diagram when rewiring motor switch.

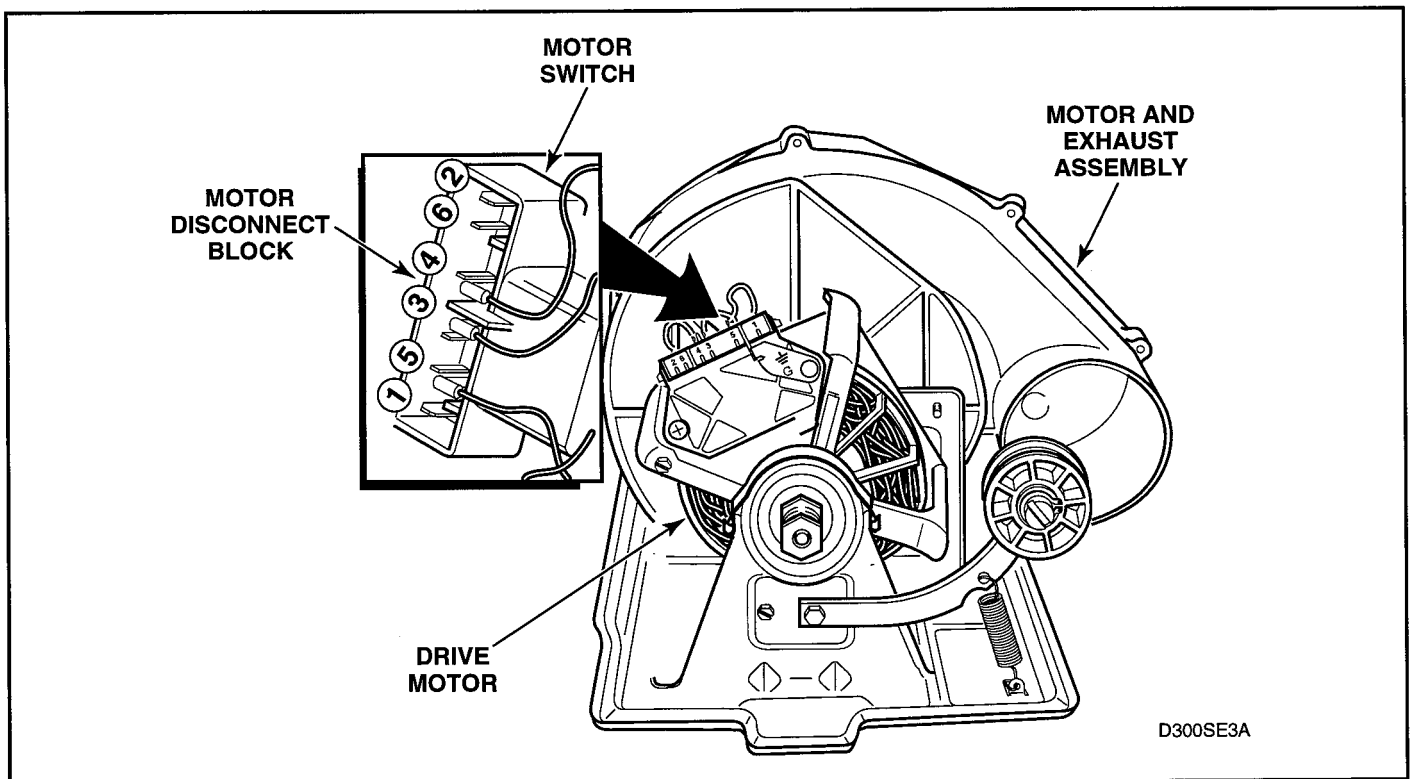


Figure 7-1



# WARNING

To reduce the risk of electric shock, fire, explosion, serious injury or death:

- Disconnect electric power to the dryer before servicing.
- Close gas shut-off valve to gas dryer before servicing.
- Never start the dryer with any guards/panels removed.
- Whenever ground wires are removed during servicing, these ground wires must be reconnected to ensure that the dryer is properly grounded.

W001

c. Motor Switch (Refer to SECTION 6.)

**WARNING**  
 Disconnect electric power to dryer before performing any of the following steps or replacing inoperative motor switches.

UNPLUG THE MOTOR WIRE HARNESS FROM THE MOTOR CONNECTION BLOCK BEFORE STARTING THIS TEST.

**START TERMINALS**  
 NOTE: DISCONNECT YELLOW WIRE FROM MOTOR SWITCH BEFORE TESTING START TERMINALS.

A. CONTINUITY EXISTS BETWEEN SWITCH TERMINAL 5 AND BLACK WIRE.

NO

YES

B. MANUALLY DEPRESS ACTUATOR. CONTINUITY BROKEN BETWEEN SWITCH TERMINAL 5 AND BLACK WIRE.

NO

INOPERATIVE START SWITCH. REPLACE SWITCH.

YES

**RUN TERMINALS**  
 NOTE: RECONNECT YELLOW WIRE TO MOTOR SWITCH BEFORE TESTING RUN TERMINALS.

C. CONTINUITY BROKEN BETWEEN SWITCH TERMINAL 6 AND YELLOW WIRE.

NO

YES

D. MANUALLY DEPRESS ACTUATOR. CONTINUITY EXISTS BETWEEN SWITCH TERMINAL 6 AND YELLOW WIRE.

NO

INOPERATIVE START SWITCH. REPLACE SWITCH.

YES

**HEATER CIRCUIT TERMINALS**

E. CONTINUITY BROKEN BETWEEN SWITCH TERMINAL 1 AND SWITCH TERMINAL 2.

NO

YES

F. MANUALLY DEPRESS ACTUATOR. CONTINUITY EXISTS BETWEEN SWITCH TERMINAL 1 AND SWITCH TERMINAL 2.

NO

INOPERATIVE START SWITCH. REPLACE SWITCH.

YES

MOTOR SWITCH CHECKS O.K.



# WARNING

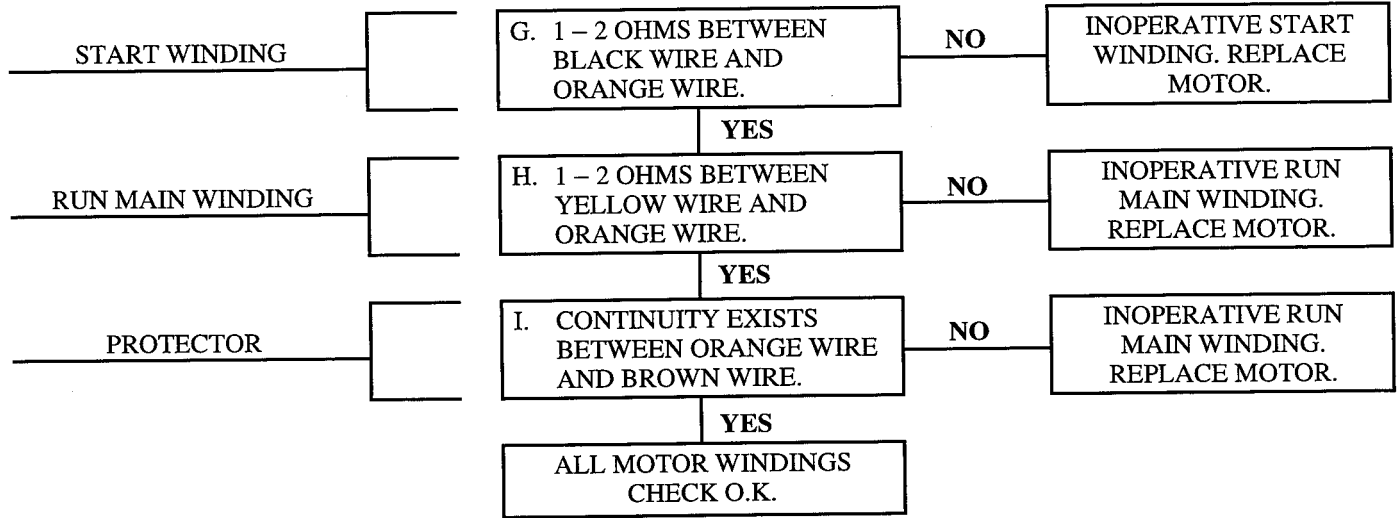
To reduce the risk of electric shock, fire, explosion, serious injury or death:

- Disconnect electric power to the dryer before servicing.
- Close gas shut-off valve to gas dryer before servicing.
- Never start the dryer with any guards/panels removed.
- Whenever ground wires are removed during servicing, these ground wires must be reconnected to ensure that the dryer is properly grounded.

W001

## d. Motor Windings (Refer to SECTION 6.)

**WARNING**  
 Disconnect electric power to dryer before performing any of the following steps or replacing inoperative motor switches.



## e. Internal Wiring of Dryer Motor

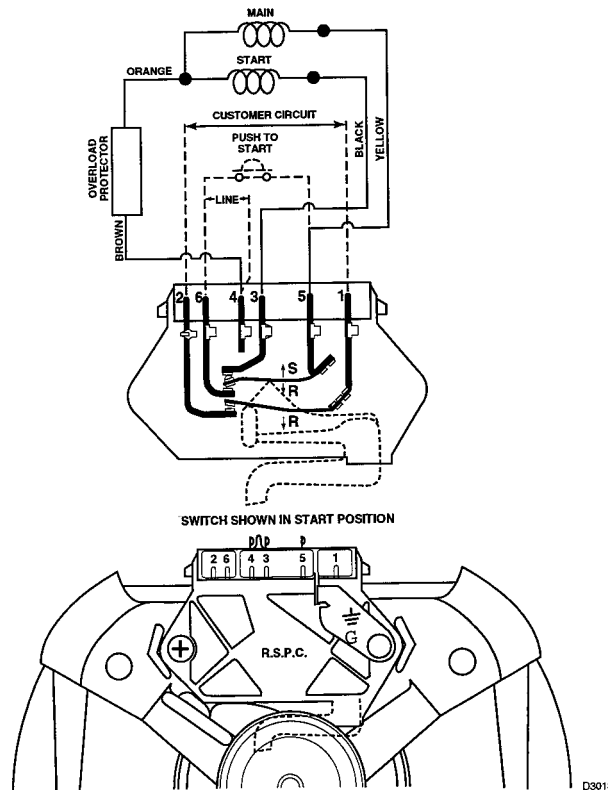


Figure 7-2



## WARNING

To reduce the risk of electric shock, fire, explosion, serious injury or death:

- Disconnect electric power to the dryer before servicing.
- Close gas shut-off valve to gas dryer before servicing.
- Never start the dryer with any guards/panels removed.
- Whenever ground wires are removed during servicing, these ground wires must be reconnected to ensure that the dryer is properly grounded.

W001

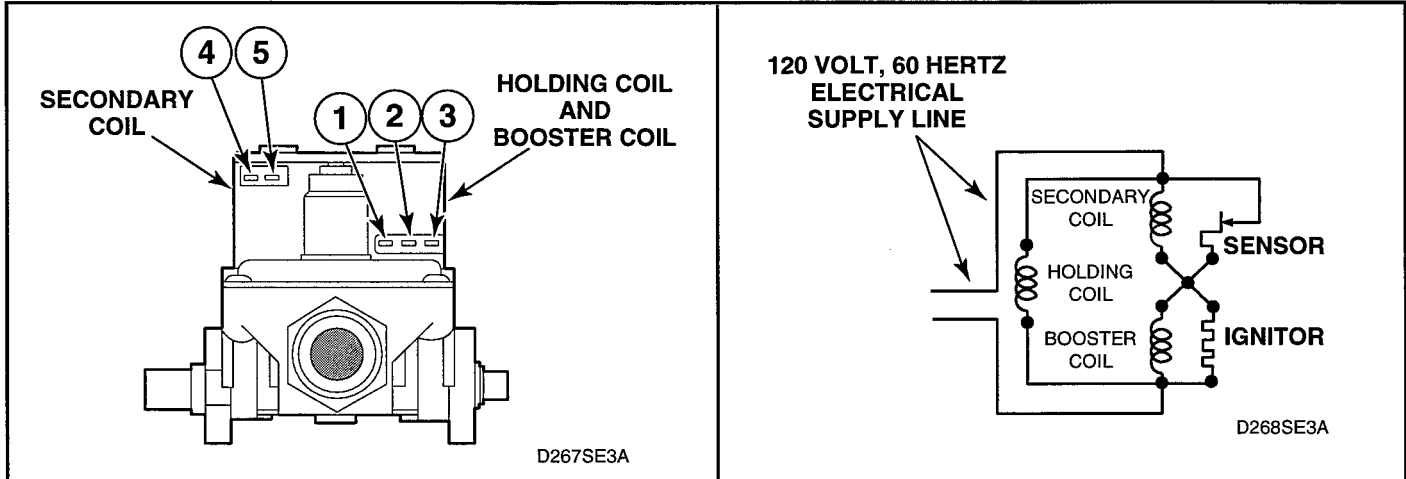


Figure 7-3

## 2. BURNER SYSTEM OPERATION (Figure 7-3)

### Components

This burner has four basic components: A silicon carbide (glow bar) igniter, burner tube, flame sensor, and a two-stage gas valve consisting of a split-coil valve and a secondary coil valve. The split-coil valve is opened when the dryer thermostat calls for heat, while the secondary valve does not open until the igniter has attained ignition temperature.

### Pre-Ignition Circuits

When the dryer thermostat calls for heat, circuits are completed through the holding coil, flame sensor, booster coil and igniter. Both coils must be energized to open split-coil valve. Once opened, the holding coil can hold the valve open without assistance from the booster coil. The current travels around the secondary coil by the flame sensor, passing through the igniter, causing it to get hot.

### Burner Circuit

In approximately 30 seconds, the igniter attains ignition temperature and the flame sensor (located on burner housing beside the igniter) contacts open. A circuit is then completed through the secondary valve coil, opening the valve and allowing gas to flow. Ignition is made and the heat from the burner flame causes the flame sensor contacts to open.

## IGNITION SYSTEM FEATURES (Figure 7-3)

### MOMENTARY POWER INTERRUPTION:

Upon resumption of power, flame sensor contacts will still be open, permitting secondary valve to open. However, with the secondary coil in the circuit, the booster coil cannot draw enough current to open the split-coil valve. When flame sensor contacts do reclose, the secondary valve will close, and the burner system will be in the normal pre-ignition circuit.

**FLAME FAILURE:** In case of flame failure, the flame sensor contacts will reclose in about 45 seconds. This will close the secondary valve and the burner system will be in the normal pre-ignition circuit.

**IGNITION FAILURE:** If flame is not established as flame sensor contacts open, secondary valve will remain open until flame sensor contacts reclose. Flame sensor will continue to recycle the igniter and secondary valve (about once per minute) until ignition is made or dryer is turned off.



## WARNING

To reduce the risk of electric shock, fire, explosion, serious injury or death:

- Disconnect electric power to the dryer before servicing.
- Close gas shut-off valve to gas dryer before servicing.
- Never start the dryer with any guards/panels removed.
- Whenever ground wires are removed during servicing, these ground wires must be reconnected to ensure that the dryer is properly grounded.

W001

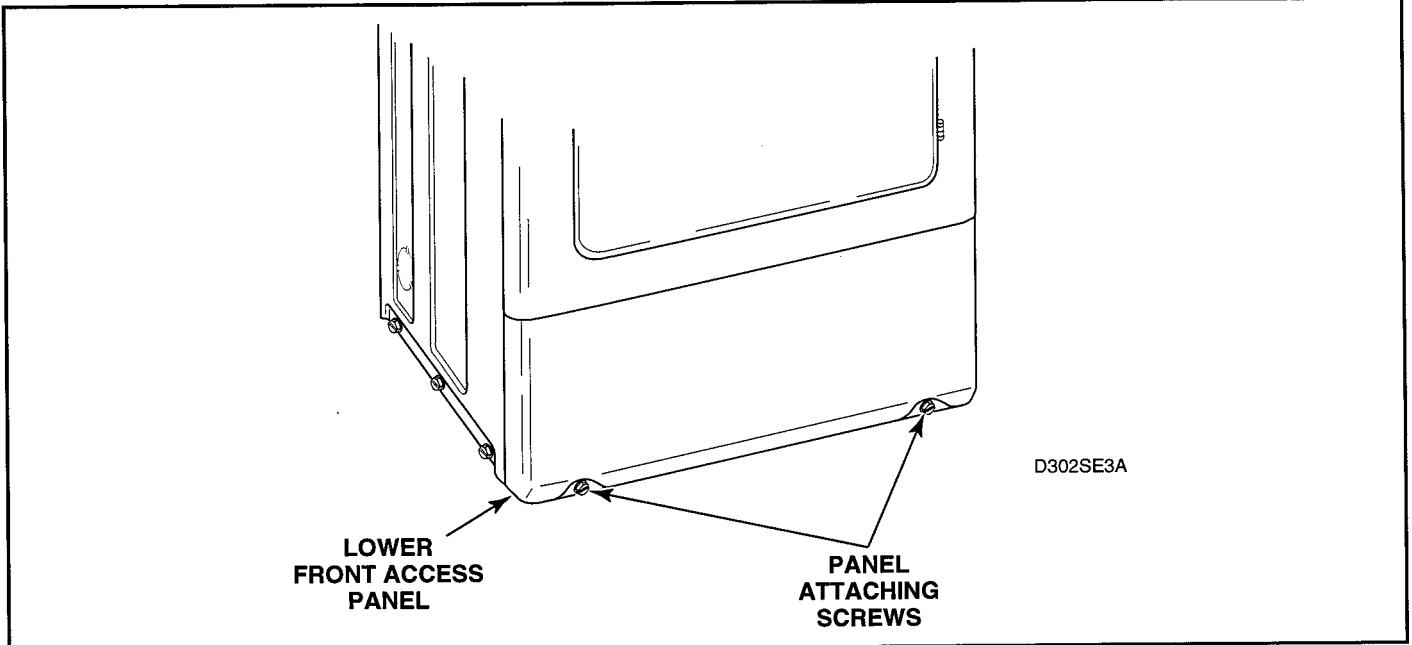


Figure 7-4

### 3. ELECTRICAL CIRCUIT TO IGNITION SYSTEM

- While supporting the lower access panel, remove two screws from bottom edge of lower access panel. See figure 7-4.
- Gently lower the access panel to disengage locators from bottom edge of front panel.
- Close main gas shut-off valve.
- Remove valve wire harness disconnect block from the holding and booster coil. See figure 7-5.
- Plug dryer power cord into wall receptacle, and start the dryer in a heat setting (refer to the Operating Instructions supplied with dryer).
- Set test meter to read AC voltage and apply meter probes into terminals on the dryer harness plug that would correspond to terminals 1 and 2 on the coil. See figure 7-3. Meter should register line voltage in all Fabric settings, except FLUFF which should read "zero" VAC.
- If meter does not read line voltage in step "f", check motor switch, thermostats, fabric switch, or timer.



## WARNING

To reduce the risk of electric shock, fire, explosion, serious injury or death:

- Disconnect electric power to the dryer before servicing.
- Close gas shut-off valve to gas dryer before servicing.
- Never start the dryer with any guards/panels removed.
- Whenever ground wires are removed during servicing, these ground wires must be reconnected to ensure that the dryer is properly grounded.

W001

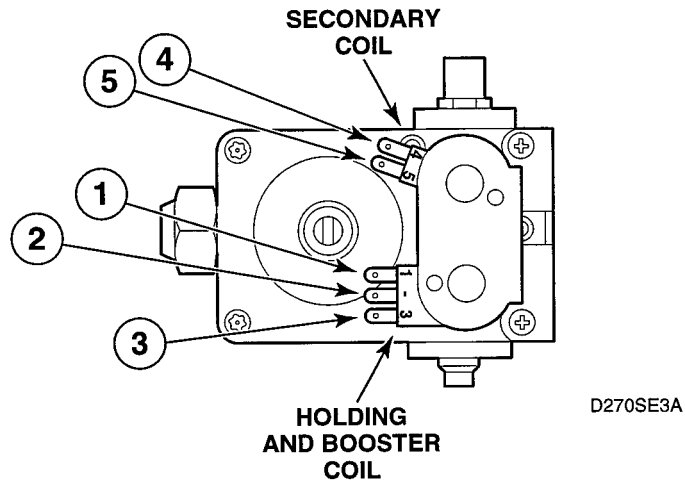


Figure 7-5

### 4. GAS VALVE COILS



## WARNING

To reduce the risk of fire, explosion and electric shock, close the valve in the gas supply line to the gas dryer and disconnect the electrical power unless gas or power supplies are required to perform test procedure.

- While supporting the lower access panel, remove two screws from bottom edge of lower access panel. See figure 7-4.
- Gently lower the access panel to disengage locators from bottom edge of front panel.
- Close main gas shut-off valve.
- Remove disconnect blocks from gas valve coils.
- Set test meter to read Ohms and put meter probes to terminals as in Figure 7-5, and the chart below.

### COIL TOLERANCE READINGS

Holding Coil Terminals 1 & 2	1365 ± 25 Ohms
Booster Coil Terminals 1 & 3	560 ± 25 Ohms
Secondary Coil Terminals 4 & 5	1220 ± 50 Ohms

**NOTE:** If meter registers any other readings than those listed above, the respective coil(s) should be replaced.

### 5. SENSOR

- While supporting the lower access panel, remove two screws from bottom edge of lower access panel. See figure 7-4.
- Gently lower the access panel to disengage locators from bottom edge of front panel.
- Close main gas shut-off valve.
- Remove wires from sensor terminals. See figure 5-11.
- Set test meter to read Ohms, put meter probes on sensor terminals. Meter should read "zero" Ohms. If meter registers an Ohm reading of any amount, replace sensor.



## WARNING

To reduce the risk of electric shock, fire, explosion, serious injury or death:

- Disconnect electric power to the dryer before servicing.
- Close gas shut-off valve to the gas dryer before servicing.
- Never start the dryer with any guards/panels removed.
- Whenever ground wires are removed during servicing, these ground wires must be reconnected to ensure that the dryer is properly grounded.

W001

### 6. IGNITER

Gas dryers are manufactured with an igniter.

- While supporting the lower access panel, remove two screws from bottom edge of lower access panel.
- Gently lower the access panel to disengage locators from bottom edge of front panel.
- Disconnect igniter wires at disconnect block.
- Set test meter to read Ohms and put meter probes on terminals of igniter wires.
- Norton Igniter** – meter should read between 45 - 200 Ohms. See figure 7-6.

If meter does not read appropriate Ohms, then replace the igniter.

**IMPORTANT:** Always examine all wires, terminals and connectors to be sure wiring is proper before replacing any components.

**NOTE:** Test procedures of Section 7 paragraph 4, 5, and 6 can be performed on a workbench if gas valve, igniter, burner tube and burner housing have been removed from dryer.

### 7. TEMPERATURE SWITCH

- Remove three screws holding the control assembly to the control hood rear panel and cabinet top. See figures 5-1 and 5-2.
- Disconnect wires from temperature switch.
- Set the meter to read Ohms and apply the meter probes to the switch terminals.
  - Three Position Heat Switch** – Follow the appropriate wiring diagram for your model dryer. See SECTION 11 of this manual.
  - Four Position Heat Switch** – Follow the appropriate wiring diagram for your model dryer. See SECTION 11 of this manual.
  - Infinite Heat Switch** – Meter should read 10 Ohms (maximum) with the switch in the DELICATE setting. Turn switch full **CLOCKWISE** direction, meter should read 10,000 Ohms (minimum).

**NOTE:** Refer to proper model wiring diagram when reconnecting wires.

FABRIC SELECTOR SWITCH – 3 Position			
	L1-1	L1-2	L1-3
Perm. Press and Regular	–	X	–
Delicate	X	X	–
Fluff	–	–	X

X indicates closed

FABRIC SELECTOR SWITCH – 4 Position				
	L1-1	L1-2	L1-3	L1-4
Fluff	–	–	X	–
Delicate	X	X	–	–
Perm. Press	–	X	–	X
Regular	–	X	–	–

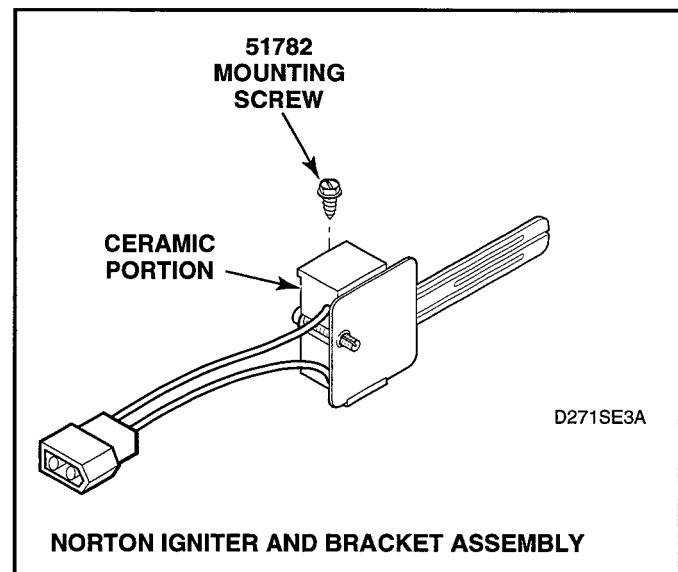


Figure 7-6



## WARNING

To reduce the risk of electric shock, fire, explosion, serious injury or death:

- Disconnect electric power to the dryer before servicing.
- Close gas shut-off valve to gas dryer before servicing.
- Never start the dryer with any guards/panels removed.
- Whenever ground wires are removed during servicing, these ground wires must be reconnected to ensure that the dryer is properly grounded.

W001

### 8. DOOR SWITCH

- While supporting the lower access panel, remove two screws from bottom edge of lower access panel. See figure 7-4.
- Gently lower the access panel to disengage locators from bottom edge of front panel.
- Disconnect wires from door switch. See figure 5-8.

**NOTE: Refer to appropriate model wiring diagram when rewiring switch.**

- Set meter to read Ohms and apply meter probes on switch terminals 1 and 3 with door closed. You should get “zero” reading.
- Apply probes to terminals 1 and 2 with door closed. The meter should read “no reading”.
- Open door. Meter should read “zero”.

### 9. SIGNAL CONTROL

- Remove the three screws holding the control assembly to the control hood rear panel. See figures 5-1, 5-2, or 5-5.
- Disconnect wires from signal control.
- Set meter to read Ohms and apply meter probes to terminals of signal control. Meter should read approximately 1,000 Ohms at all times.

### 10. TIMER ADVANCE AND TIMER CONTACT POINTS (FIGURE 7-7)

This test will determine if the timer advances. If the timer advances then it does not need to be replaced.

#### Advance Test:

For models which produce an audible signal (a buzzing sound):

- Select a cycle and activate dryer start switch.
- Rotate timer knob to a position where the signal will activate, then release timer knob.

- If timer is advancing, signal will end in less than 10 minutes.
- If signal continues to sound for more than 10 minutes, replace timer.

For models which do not produce an audible signal:

- Rotate timer knob to the 10 minute mark.
- If timer is advancing, dryer will cycle into the cool down period and then to OFF position.

**NOTE: If timer does not advance, see Section 5 paragraph 5 for timer replacement.**

To check timer contact points proceed as follows:

- Remove the three screws holding the control assembly to the control hood rear panel. See figures 5-1, 5-2, or 5-5.
- Disconnect wires from timer.

**NOTE: Refer to appropriate model wiring diagram when rewiring timer.**

- Set test meter to read Ohms and apply meter probes to terminals. See figure 7-7.
- Starting with timer knob indicator in OFF position at top of timer, slowly turn timer knob clockwise until indicator is again pointing toward OFF position at top of timer. Meter should register “zero” reading when circuit being tested is completed by timer. Refer to figure 7-7 for Timer Cycle Chart showing when circuit is made.

#### Timer Motor Resistance Check

120V 60 Hz. motor resistance should be 2,460 – 3,100 Ohms.

#### Timer Resistor Resistance Check (Electric Models)

4.7K 10W resistor resistance should be 4,465 – 4,935 Ohms.





# WARNING

To reduce the risk of electric shock, fire, explosion, serious injury or death:

- Disconnect electric power to the dryer before servicing.
- Close gas shut-off valve to gas dryer before servicing.
- Never start the dryer with any guards/panels removed.
- Whenever ground wires are removed during servicing, these ground wires must be reconnected to ensure that the dryer is properly grounded.

W001

CIRCUIT TO BE TESTED	TIMER No. 503632	TIMER No. 503739	TIMER No. 503767	TIMER No. 503793	TIMER No. 503873	TIMER No. 503912	TIMER No. 504178	TIMER No. 504179	TIMER No. 504180	TIMER No. 504545	TIMER No. 504546
Timer Motor	L1 and T	L2 and T	L2 and T	L2 and T	L2 and T	L2 and T	N and T	N and T	N and T	N and T	N and T
Signal Control	P/B and S	P/B and P/B	-	P/B and P/B	P/B and P/B	P/B and P/B	-	P/B and P/B	P/B and P/B	P/B and P/B	P/B and P/B
Motor	L1 and M	L1 and M	L1 and M	L1 and M	L1 and M	L1 and M	L1 and M	L1 and M	L1 and M	L1 and M	L1 and M
Heat	L2 and H	L2 and H	L2 and H	L2 and H	L2 and H	L2 and H	L2 and H	L2 and H	L2 and H	L2 and H	L2 and H
Push-to-Start	M and S	M and S	M and S	M and S	M and S	M and S	M and S	M and S	M and S	M and S	M and S

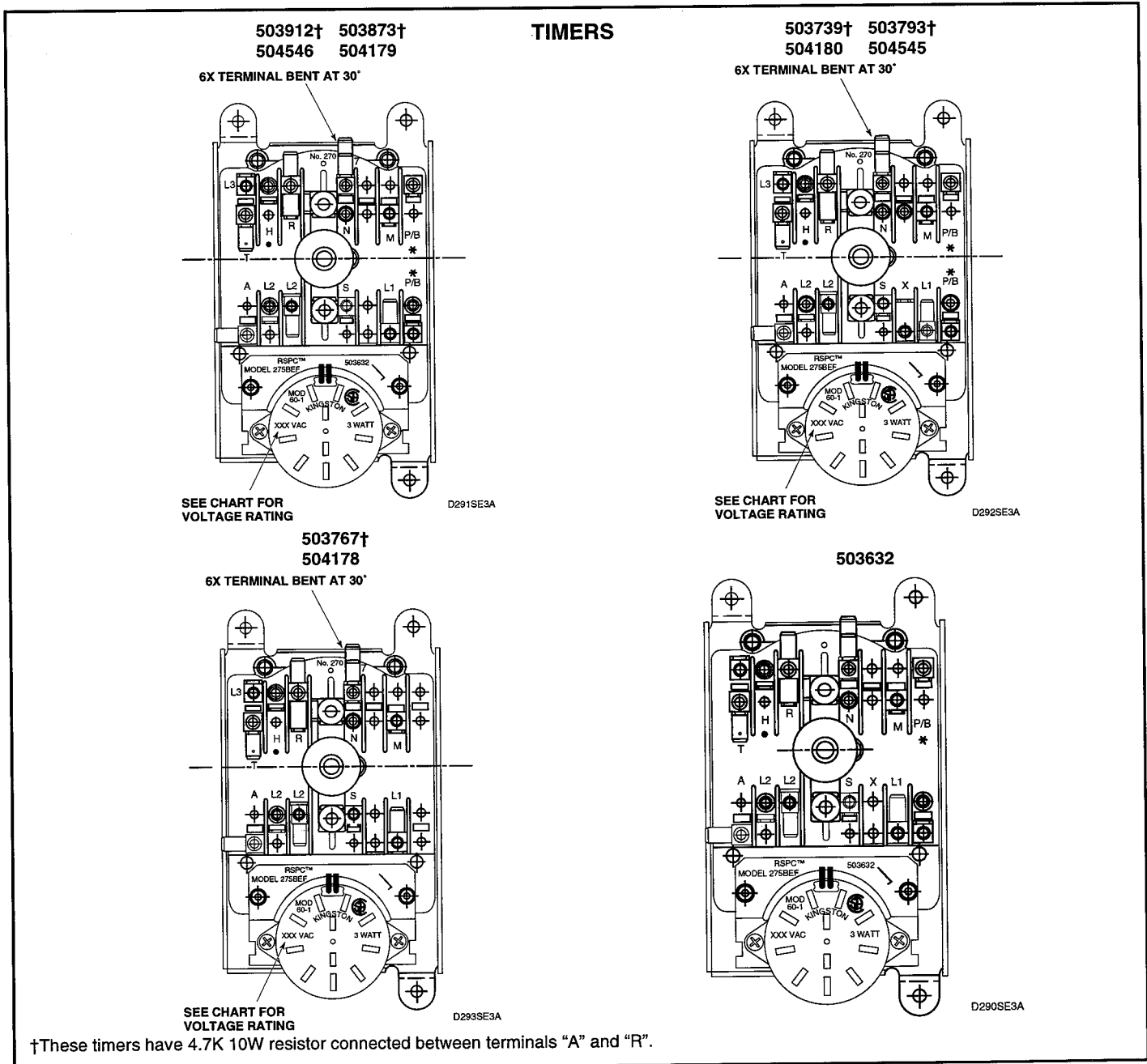


Figure 7-7



## WARNING

To reduce the risk of electric shock, fire, explosion, serious injury or death:

- Disconnect electric power to the dryer before servicing.
- Close gas shut-off valve to gas dryer before servicing.
- Never start the dryer with any guards/panels removed.
- Whenever ground wires are removed during servicing, these ground wires must be reconnected to ensure that the dryer is properly grounded.

W001

### 11. CYCLING OR LIMIT THERMOSTAT

- While supporting the lower access panel, remove two screws from bottom edge of lower access panel. See figure 7-4.
- Gently lower the access panel to disengage locators from bottom edge of front panel.
- Label and disconnect wires from thermostat. See figure 5-13 or 5-14.

**NOTE: Refer to appropriate model wiring diagram when rewiring thermostat.**

#### Cycling Thermostat (S.P.S.T. – 2 Terminals) or Limit Thermostat

- Set meter to read Ohms.
- Apply meter probes to the thermostat terminals.
- Meter should read “zero”.

#### Cycling Thermostat (S.P.D.T. – 3 Terminals)

- Set meter to read Ohms.
- Apply meter probes to terminals 1 and 3. Meter should read “zero”.
- Remove screws holding thermostat to exhaust fan cover.
- Heat thermostat with a small flame until a distinct “click” is heard, then immediately apply meter probes to terminals 1 and 2. Meter should read “zero”.

### 12. THERMOSTAT HEATER

- While supporting the lower access panel, remove two screws from bottom edge of lower access panel. See figure 7-4.
- Gently lower the access panel to disengage locators from bottom edge of front panel.
- Label and disconnect wires from thermostat/heater. See figure 5-14.

**NOTE: Refer to appropriate wiring diagram when rewiring thermostat heater.**

- Set meter to read Ohms. Apply meter probes to the thermostat heater terminals. Meter should read as follows: (Cold Ohms)

120 Volt 60 Hz. 2400 ± 240 Ohms.

### 13. THERMAL FUSE (ELECTRIC MODELS)

- While supporting the lower access panel, remove two screws from bottom edge of lower access panel. See figure 7-4.
- Gently lower the access panel to disengage locators from bottom edge of front panel.
- Label and disconnect wires from thermal fuse. See figure 5-13.

**NOTE: Refer to appropriate model wiring diagram when rewiring thermal fuse.**

- Set multimeter to read Ohms on the X1 scale. Apply meter probes to the thermal fuse terminals. Multimeter should read 0 Ohms. If the meter does not show any reading (infinite Ohms), then the fuse is open. If the fuse is open, then replace BOTH the thermal fuse and the limit thermostat.

### 14. HEATER ASSEMBLY (ELECTRIC MODELS)

- While supporting the lower access panel, remove two screws from bottom edge of lower access panel. See figure 7-4.
- Gently lower the access panel to disengage locators from bottom edge of front panel.
- Disconnect wires from heater assembly. See figure 5-13.

**NOTE: Refer to appropriate wiring diagram when rewiring heater assembly.**

- Set meter to read Ohms. Apply meter probes to the heater wire terminals. Meter should read as follows: (Cold Ohms). See figure 5-13.

Element Color Code	Voltage/Hz.	Resistance Reading
Red	240 V 60 Hz.	10.39 ± .31 Ohms cold
White	208 V 60 Hz.	8.2 ± .5 Ohms Cold

# SECTION 8

## Service Procedures Unique to Electromechanical Dryers with Moisture Sensor 504175



### WARNING

To reduce the risk of electric shock, fire, explosion, serious injury or death:

- Disconnect electric power to the dryer before servicing.
- Close gas shut-off valve to gas dryer before servicing.
- Never start the dryer with any guards/panels removed.
- Whenever ground wires are removed during servicing, these ground wires must be reconnected to ensure that the dryer is properly grounded.

W001

### 1. DRYER OPERATION

The moisture sensor board uses the wetness of the clothing to determine the time needed for the clothing to dry. To use this feature, an AUTOMATIC cycle must be selected. The moisture sensor board uses two metal strips located below the lint filter to determine the moisture of the clothing. As the wet clothing tumbles against the two strips, the timer motor will not advance. As the clothes start to become dry, the timer motor will advance. The timer will run for five minutes with the heat on and five minutes in cool down. The moisture sensor also incorporates a signal that has four settings: OFF, LOW, MED and HIGH.



# WARNING

To reduce the risk of electric shock, fire, explosion, serious injury or death:

- Disconnect electric power to the dryer before servicing.
- Close gas shut-off valve to gas dryer before servicing.
- Never start the dryer with any guards/panels removed.
- Whenever ground wires are removed during servicing, these ground wires must be reconnected to ensure that the dryer is properly grounded.

W001

## 2. MOISUTRE SENSOR CONTROL REPLACEMENT

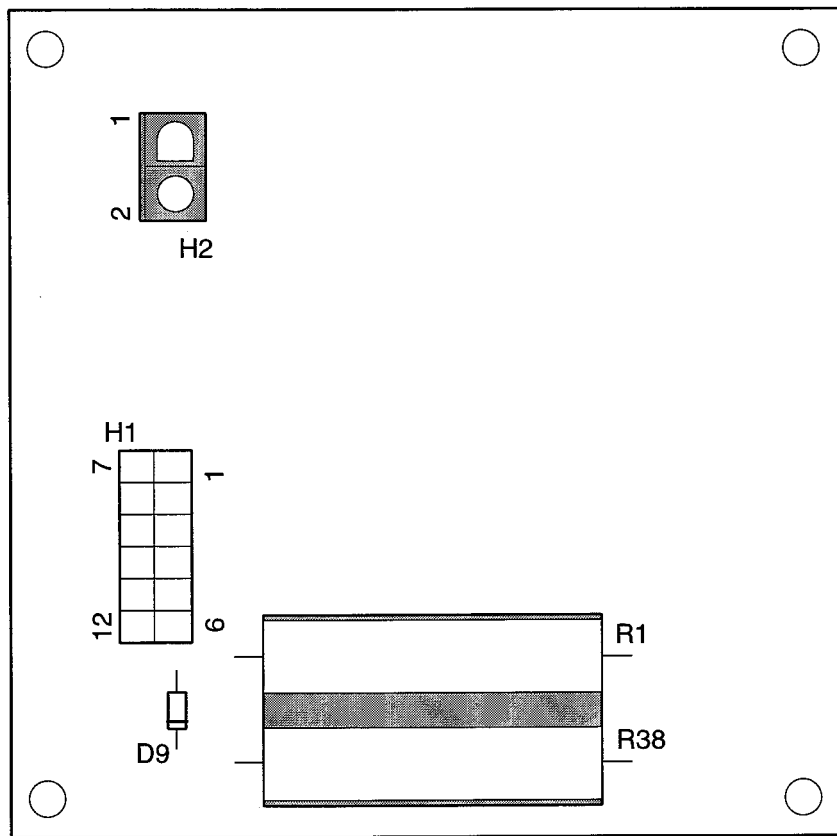
See Section 9, paragraph 13 on handling electronic parts, both new and those to be returned.

Remove control hood per instructions in Section 5. Carefully remove connectors H1 and H2 on the control. See figure 8-1.

Working on one corner of the PC board at a time, depress the locking tab on the plastic stand-off with needle nose pliers and lift that corner free.

The new control is supplied in an anti-static bag and protected by anti-static packaging. Carefully remove control from packaging and bag. Snap the new PC board into place on the stand-offs. Reconnect H1 and H2, making sure the connectors are secured tightly to the headers on the PC board.

To re-install the control hood, rotate hood forward until the screw holes in the hood align with the screw holes in the dryer's back mounting bracket. Insert the three screws into the holes and secure.



D284S

Figure 8-1



# WARNING

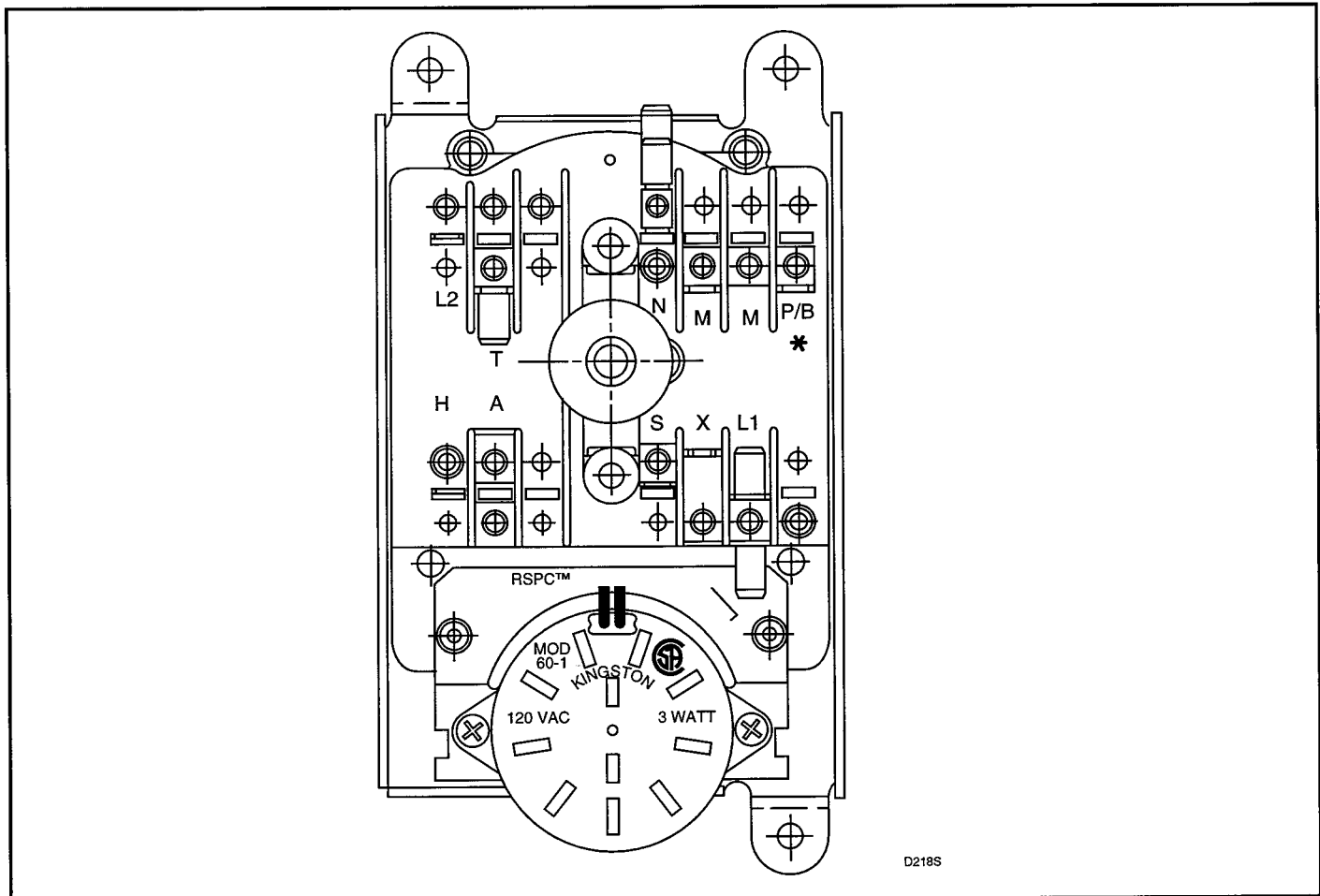
To reduce the risk of electric shock, fire, explosion, serious injury or death:

- Disconnect electric power to the dryer before servicing.
- Close gas shut-off valve to gas dryer before servicing.
- Never start the dryer with any guards/panels removed.
- Whenever ground wires are removed during servicing, these ground wires must be reconnected to ensure that the dryer is properly grounded.

W001

CIRCUIT TO BE TESTED	CONTACTS	VOLTAGE
Timer Motor	T and N	120VAC
Main Motor	L1 and M	120VAC
Auto Regulator/Delicate	A and N with moisture sensor bars shorted. T and N with moisture sensor bars open.	12VDC 12VDC
Auto Perm Press	A and N with moisture sensor bars shortened. T and N with moisture sensor bars open.	12VDC 12VDC
Time Dry	L2 and H	120VAC
Wrinkle Out	L2 and H	120VAC
Push-to-Start	S and M	120VAC
Signal	B/P and S	120VAC

Figure 8-2



D218S

Figure 8-3



# WARNING

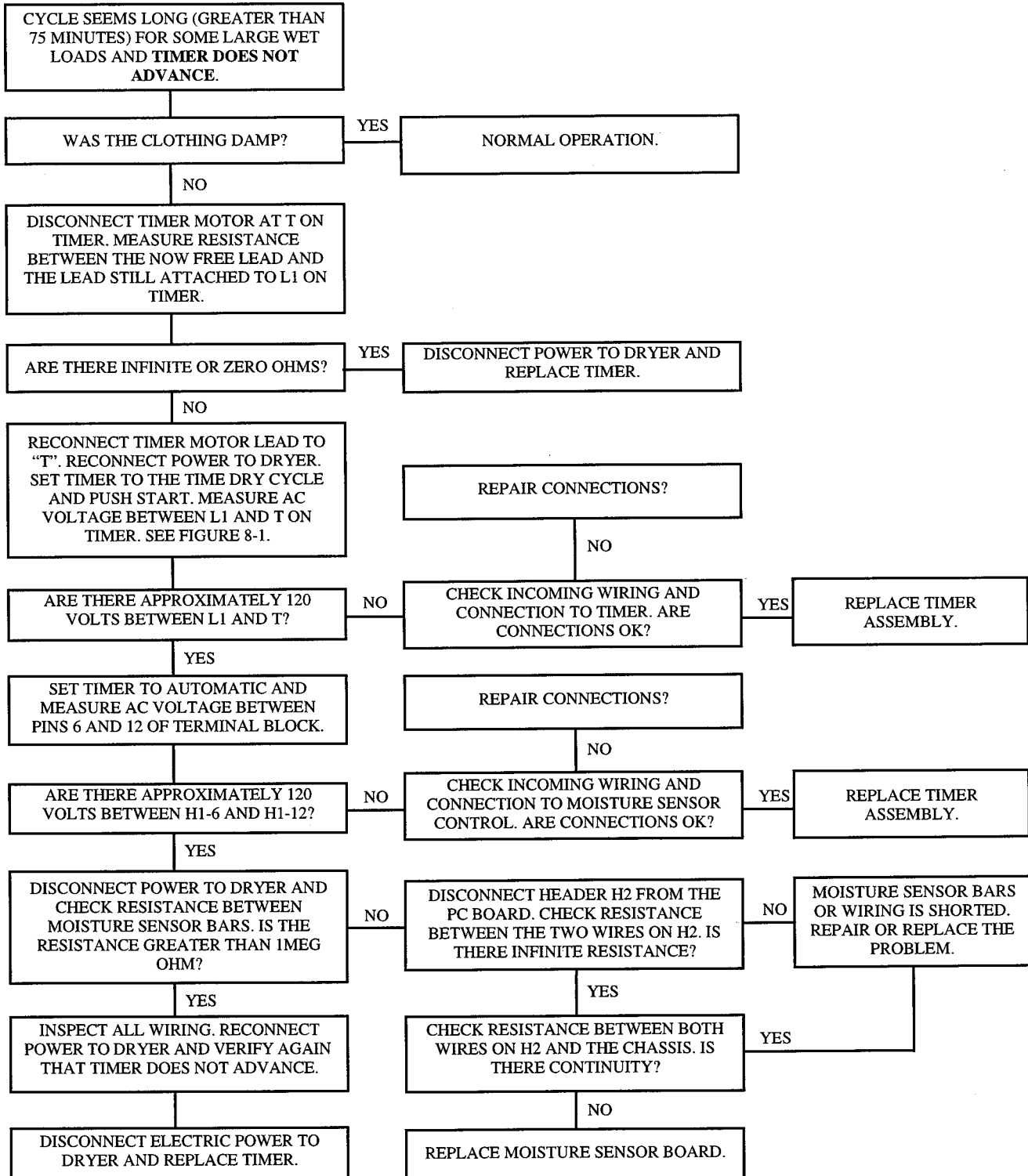
To reduce the risk of electric shock, fire, explosion, serious injury or death:

- Disconnect electric power to the dryer before servicing.
- Close gas shut-off valve to gas dryer before servicing.
- Never start the dryer with any guards/panels removed.
- Whenever ground wires are removed during servicing, these ground wires must be reconnected to ensure that the dryer is properly grounded.

W001

### 3. SYMPTOM: TIMER DOES NOT ADVANCE.

### 4. SYMPTOM: MOTOR DOES NOT STOP AND CYCLE DOES NOT END.





## WARNING

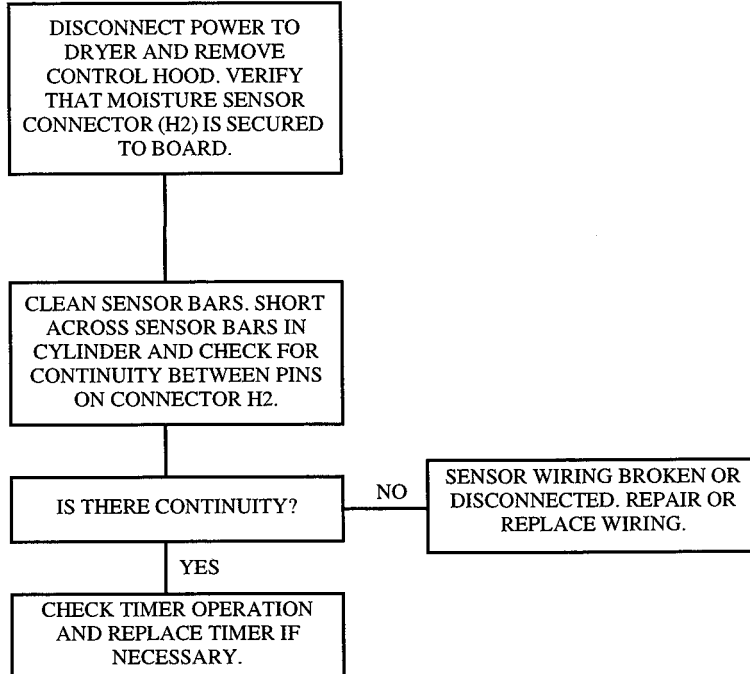
To reduce the risk of electric shock, fire, explosion, serious injury or death:

- Disconnect electric power to the dryer before servicing.
- Close gas shut-off valve to gas dryer before servicing.
- Never start the dryer with any guards/panels removed.
- Whenever ground wires are removed during servicing, these ground wires must be reconnected to ensure that the dryer is properly grounded.

W001

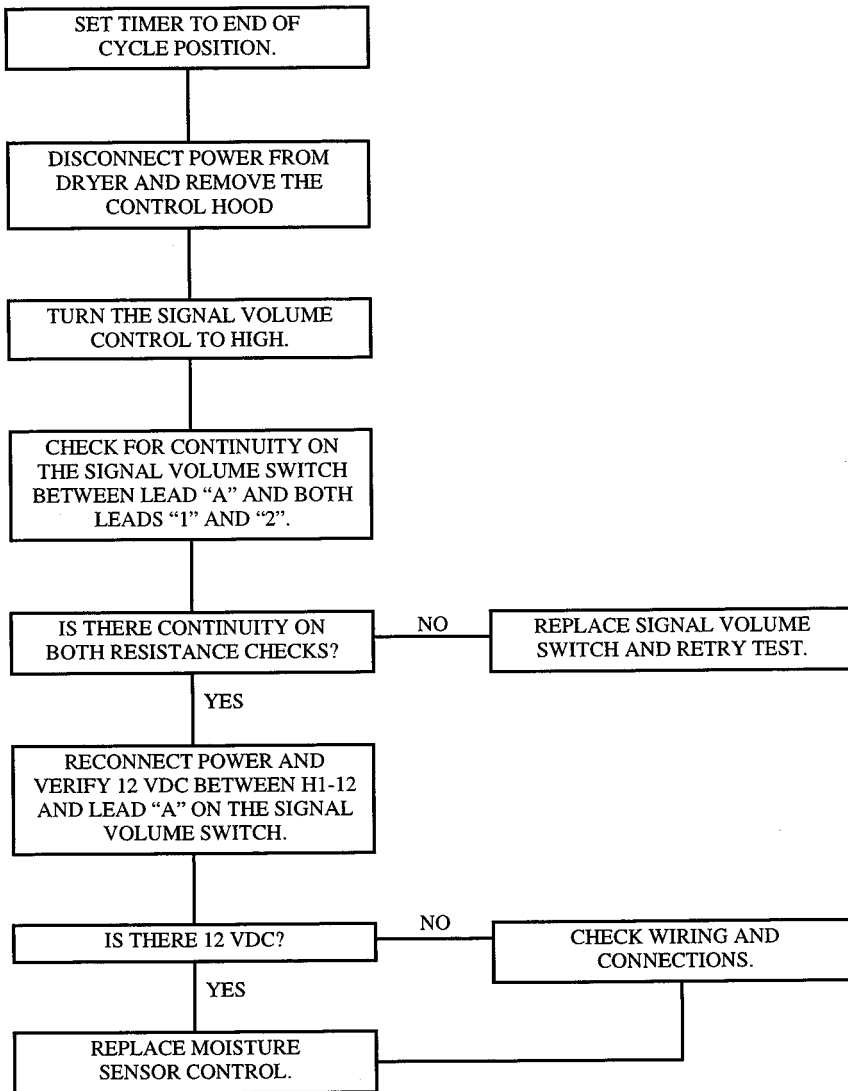
5. SYMPTOM: CLOTHES DO NOT DRY.

6. SYMPTOM: MACHINE STOPS PREMATURELY.



7. SYMPTOM: SIGNAL WILL NOT OPERATE ON ONE VOLUME.

8. SYMPTOM: SIGNAL WILL NOT OPERATE AT ALL.





# SECTION 9

## Service Procedures Unique to Electronic Control Model Dryers



### WARNING

To reduce the risk of electric shock, fire, explosion, serious injury or death:

- Disconnect electric power to the dryer before servicing.
- Close gas shut-off valve to gas dryer before servicing.
- Never start the dryer with any guards/panels removed.
- Whenever ground wires are removed during servicing, these ground wires must be reconnected to ensure that the dryer is properly grounded.

W001

MODEL	Electronic Control Assembly PART NO.
LEA90A* LEC90AW LGA90A*	500540
LE4807, LE4907, LG4809, LG4909	501273

### 1. ELECTRICAL SERVICE

#### A. Electric Dryers

(120/240 Volt, 60 Hertz, 3-Wire Installation)

(120/208 Volt, 60 Hertz, 3-Wire Installation)

**NOTE:** The wiring diagram is located inside the control hood.



### WARNING

To reduce the risk of fire, electric shock or personal injury, all wiring and grounding **MUST** conform with the latest edition of the National Electrical Code, ANSI/NFPA No. 70, and such local regulations as might apply. **IT IS THE CUSTOMER'S RESPONSIBILITY TO HAVE THE WIRING AND FUSES CHECKED BY A QUALIFIED ELECTRICIAN TO MAKE SURE YOUR HOME HAS ADEQUATE ELECTRICAL POWER TO OPERATE THE DRYER.**

### Grounding and Wiring Instructions

- The dryer must be connected to a grounded metal, permanent wiring system; or an equipment-grounding conductor must be run with the circuit conductors and connected to the equipment-grounding terminal or lead on the dryer.
- The dryer has its own terminal block that must be connected to a separate branch, 60 Hertz single phase, AC (alternating current) circuit, fused at 30 Amperes (the circuit must be fused on both sides of the line). **ELECTRICAL SERVICE FOR DRYER SHOULD BE OF MAXIMUM RATED VOLTAGE LISTED ON THE NAMEPLATE. DO NOT CONNECT DRYER TO 110, 115, OR 120 VOLT CIRCUIT.** Heating elements are available for field installation in dryers which are to be connected to electrical service of different voltage than that listed on nameplate, such as 208.
- If branch circuit to dryer is 15 feet (4.50 m) or less in length, use U.L. (Underwriters Laboratories) listed No. 10 A.W.G. wire (copper wire only), or as required by local codes. If over 15 feet (4.50 m), use U.L. (Underwriters Laboratories) listed No. 8 A.W.G. wire (copper wire only), or as required by local codes. Allow sufficient slack in wiring so dryer can be moved from its normal location when necessary.
- The power cord (pigtail) connections between wall receptacle and dryer terminal block is **NOT** supplied with dryer. Type of pigtail and gauge of wire must conform to local codes and with instructions mentioned in previous paragraph.
- The method of wiring the dryer is optional and subject to local code requirements. See figures 9-1 and 9-3.





## WARNING

To reduce the risk of electric shock, fire, explosion, serious injury or death:

- Disconnect electric power to the dryer before servicing.
- Close gas shut-off valve to gas dryer before servicing.
- Never start the dryer with any guards/panels removed.
- Whenever ground wires are removed during servicing, these ground wires must be reconnected to ensure that the dryer is properly grounded.

W001

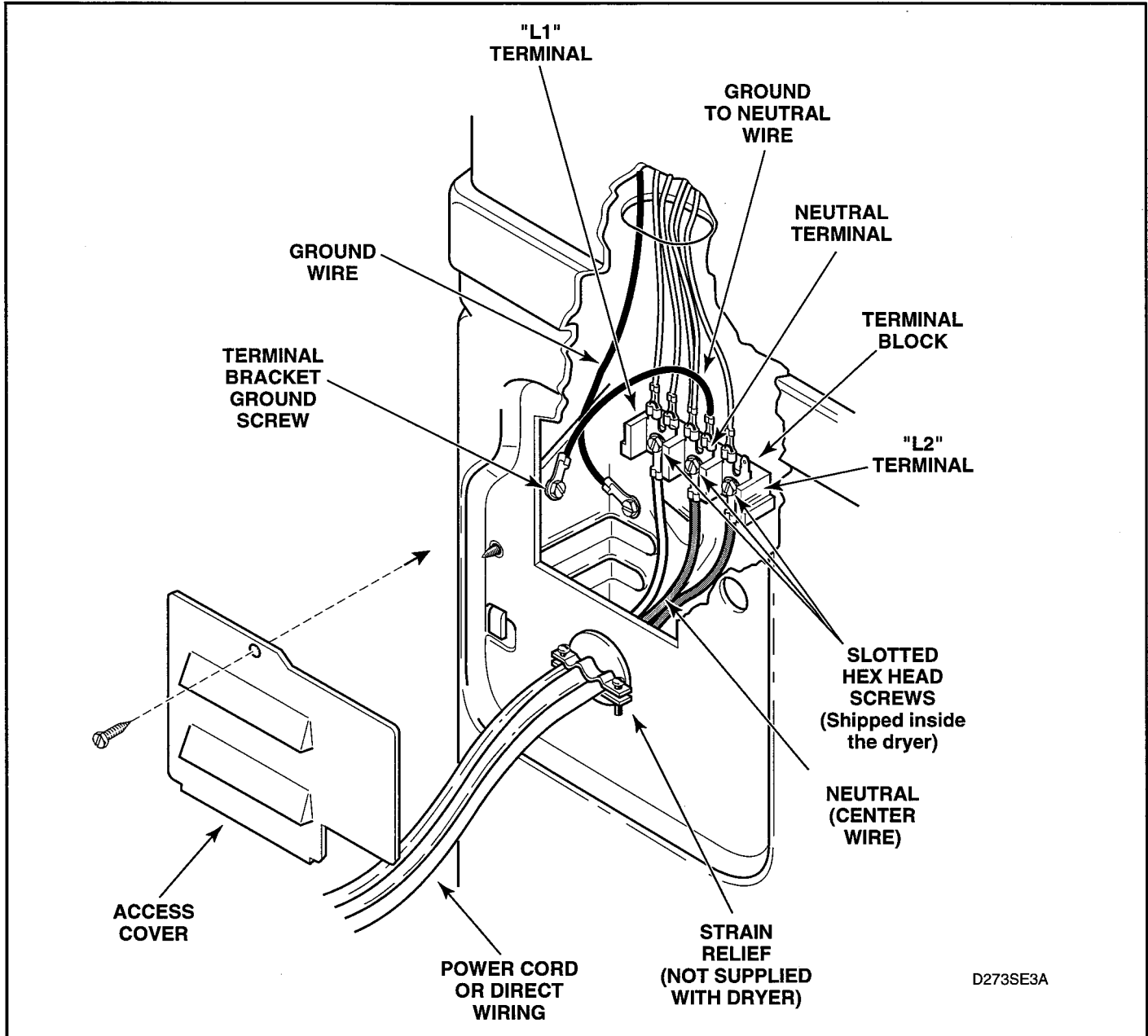


Figure 9-1



# WARNING

To reduce the risk of electric shock, fire, explosion, serious injury or death:

- Disconnect electric power to the dryer before servicing.
- Close gas shut-off valve to gas dryer before servicing.
- Never start the dryer with any guards/panels removed.
- Whenever ground wires are removed during servicing, these ground wires must be reconnected to ensure that the dryer is properly grounded.

W001

## Electrical Connection (Three-Wire)

**IMPORTANT:** This dryer is grounded to a neutral conductor at the terminal block. If the dryer is installed in a mobile home, or if local codes do not permit grounding through the neutral, proceed as shown in Section 9 paragraph 2.

- Remove screw and terminal block access cover from rear of dryer cabinet.
- Insert ends of wires through power supply hole (containing proper strain relief) in rear of dryer cabinet. Connect the power cord, or direct wiring, to the appropriate terminal block terminals using the three-wire binding (10-32 x 3/8") screws from the accessories pack in the envelope shipped inside the dryer cylinder.

If the dryer had previously been connected with a four-wire power cord, remove the cord by reversing procedures under four-wire power cord.

**IMPORTANT:** Use only a U.L. listed No. 10 (copper wire only) three conductor power supply cord kit rated 240 Volts (minimum) 30 Amperes and labeled as suitable for use in a clothes dryer.

- Tighten wire-binding screws firmly.

**IMPORTANT:** Failure to tighten screws firmly may result in wire failure at the terminal block.

- Secure the strain relief to the power cord, or wires, where they enter the dryer cabinet.
- Reinstall access cover and screw.

## Three Wire Plus Ground Wire Power Cord

**IMPORTANT:** Use only a U.L. listed No. 10 A.W.G. (copper wire only) four conductor power supply cord kit rated 240 Volts (minimum) 30 Amperes and labeled as suitable for use in a clothes dryer.

**NOTE:** The power cord is not supplied with the dryer when the dryer is shipped from the factory, therefore, disregard Steps 2 and 3 below when connecting a four-wire power cord to a NEW dryer.

If the dryer has a three-wire cord attached, then complete Steps a through k.

- Remove screw holding the access plate to rear of dryer cabinet.
- Remove three screws holding the three wires to terminal block terminals. **Save these screws.**
- Loosen strain relief screw and pull the cord or wires out through rear of the dryer.
- Remove terminal bracket ground screw holding the ground wire to terminal block mounting bracket. **Save the screw.**

**NOTE: ON NEW DRYERS – This is the ground wire that goes from the neutral (center) terminal on the terminal block to the mounting bracket.**

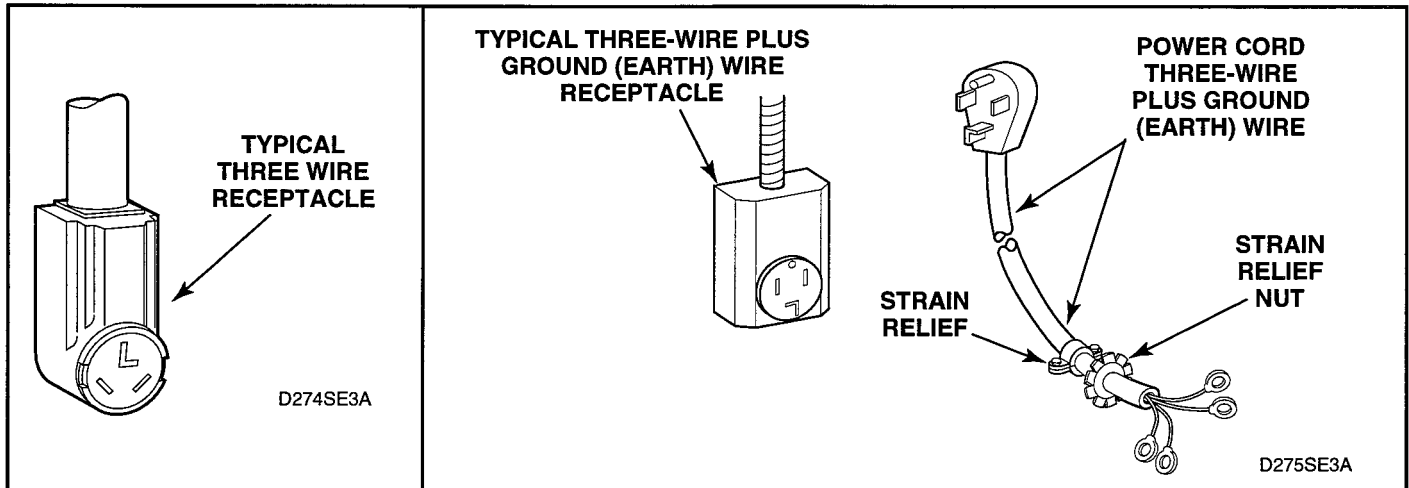


Figure 9-2



## WARNING

**To reduce the risk of electric shock, fire, explosion, serious injury or death:**

- **Disconnect electric power to the dryer before servicing.**
- **Close gas shut-off valve to gas dryer before servicing.**
- **Never start the dryer with any guards/panels removed.**
- **Whenever ground wires are removed during servicing, these ground wires must be reconnected to ensure that the dryer is properly grounded.**

W001

### Install Three Wire Plus Ground Power Cord

- e. Route the end of the three wire plus ground (earth) power cord through the strain relief. **DO NOT** tighten the strain relief screws at this time.
- f. Insert the end of the power cord and strain relief through the hole in the rear of dryer cabinet. See figure 9-3. Install the strain relief nut from the inside of the cabinet and tighten firmly.
- g. Attach the ground wire (from the three wire plus ground [earth] power cord) to the terminal block mounting bracket using the hex head screw removed in Step d. Tighten the screw firmly.
- h. Using the three wire-binding (10-32x3/8") screws from the accessories envelope (located inside the cylinder, unless the screws were previously removed in Step b), attach the power cord wires to the terminal block terminals as follows:
  1. Red to Red
  2. Black to Black
  3. White to White (see NOTE below)

**NOTE: When installing the white to white wire, loop the free eyelet end of the ground wire (from Step d) and place it together with the white wire. Attach both wires to the neutral (center) terminal on the terminal block. See figure 9-3.**

**IMPORTANT: Failure to tighten the screws firmly on the terminal block may result in terminal block failure.**

- i. Tighten the two strain relief screws to secure the power cord.
- j. Recheck all screws to be sure they are tight.
- k. Reinstall the access plate and screw to the rear of the dryer cabinet.

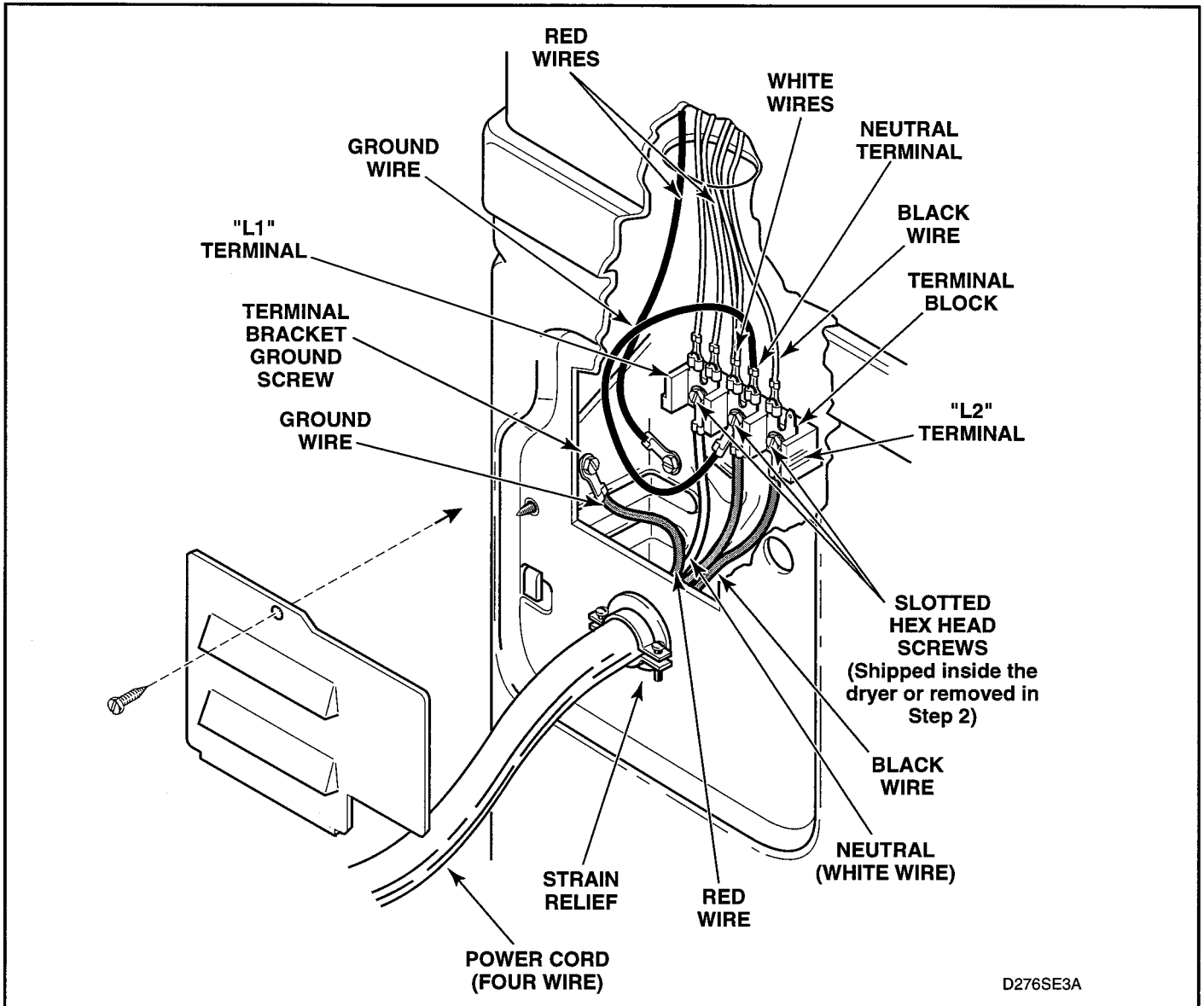


## WARNING

To reduce the risk of electric shock, fire, explosion, serious injury or death:

- Disconnect electric power to the dryer before servicing.
- Close gas shut-off valve to gas dryer before servicing.
- Never start the dryer with any guards/panels removed.
- Whenever ground wires are removed during servicing, these ground wires must be reconnected to ensure that the dryer is properly grounded.

W001



D276SE3A

Figure 9-3



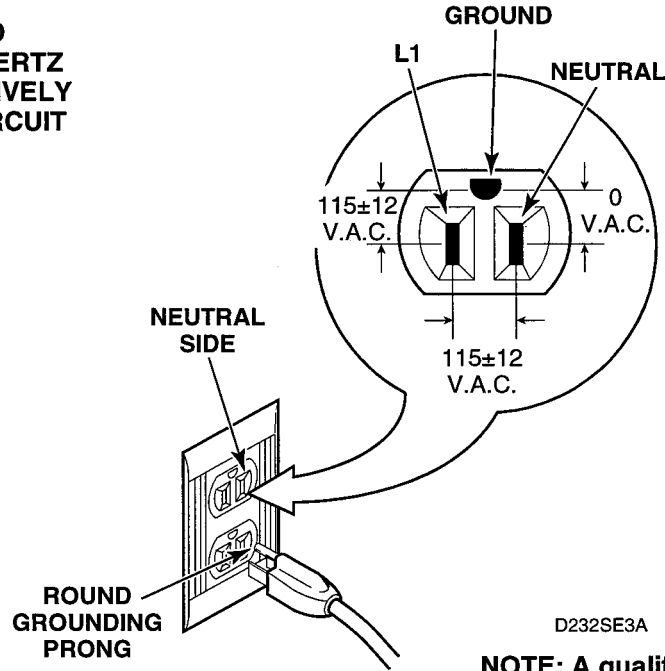
## WARNING

To reduce the risk of electric shock, fire, explosion, serious injury or death:

- Disconnect electric power to the dryer before servicing.
- Close gas shut-off valve to gas dryer before servicing.
- Never start the dryer with any guards/panels removed.
- Whenever ground wires are removed during servicing, these ground wires must be reconnected to ensure that the dryer is properly grounded.

W001

STANDARD  
120 VOLT, 60 HERTZ  
3-WIRE EFFECTIVELY  
GROUNDED CIRCUIT



D232SE3A

**NOTE:** A qualified electrician should check the polarity of the wall receptacle. If a voltage reading is measured other than that illustrated, the qualified electrician should correct the problem.

Figure 9-4

### B. Gas Dryers

(120 Volt, 60 Hertz, with 3-Prong Grounding Plug)

**NOTE:** The wiring diagram is located inside the control hood.

- The dryer is designed to be operated on a separate branch, polarized, three-wire, effectively grounded, 120 Volt, 60 Hertz, AC (alternating current), circuit protected by a **15 Ampere fuse**, equivalent fusetrone or circuit breaker.
- The three-prong grounding plug on the power cord should be plugged directly into a polarized three-slot effectively grounded receptacle rated 110/120 Volts AC (alternating current) 15 Amps. See figure 9-4 for determining correct polarity of the wall receptacle.
- **DO NOT OPERATE OTHER APPLIANCES ON THE SAME CIRCUIT. DO NOT OVERLOAD CIRCUITS!** See figure 9-5.



## WARNING

To reduce the risk of fire, electric shock or personal injury, all wiring and grounding **MUST** conform with the latest edition of the National Electrical Code, ANSI/NFPA No. 70, and such local regulations as might apply. **IT IS THE CUSTOMER'S RESPONSIBILITY TO HAVE THE WIRING AND FUSES CHECKED BY A QUALIFIED ELECTRICIAN TO MAKE SURE YOUR HOME HAS ADEQUATE ELECTRICAL POWER TO OPERATE THE DRYER.**



## WARNING

To reduce the risk of an electric shock or fire, **DO NOT** use an extension cord or an adapter to connect the dryer to the electrical power source.



## WARNING

To reduce the risk of electric shock, fire, explosion, serious injury or death:

- Disconnect electric power to the dryer before servicing.
- Close gas shut-off valve to gas dryer before servicing.
- Never start the dryer with any guards/panels removed.
- Whenever ground wires are removed during servicing, these ground wires must be reconnected to ensure that the dryer is properly grounded.

W001

### 2. Grounding Instructions

- The dryer must be grounded. In the event of malfunction or breakdown, grounding will reduce the risk of electric shock by providing a path of least resistance for electric current. The dryer is equipped with a cord having an equipment-grounding conductor and a three-prong grounding plug. The plug must be plugged into an appropriate outlet that is properly installed and grounded in accordance with all local codes and ordinances.

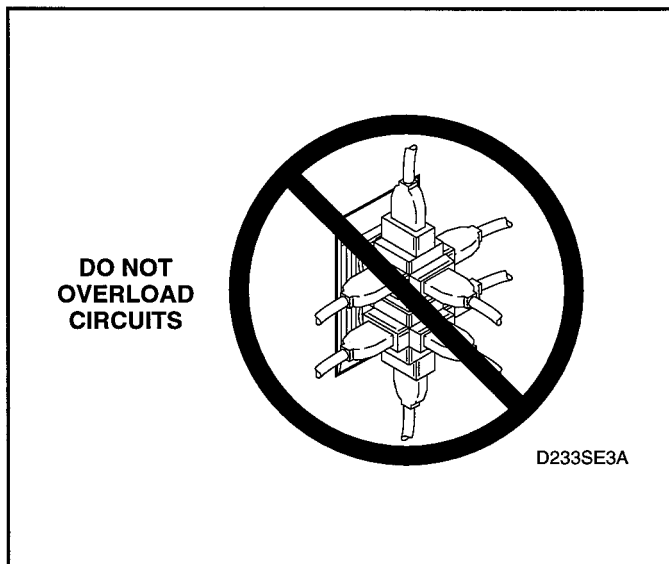


Figure 9-5



## WARNING

Improper connection of the equipment-grounding conductor can result in a risk of electric shock. Check with a qualified electrician or serviceman if you are in doubt as to whether the dryer is properly grounded.

- **DO NOT** modify the plug provided with the dryer - if it will not fit the outlet, have a proper outlet installed by a qualified electrician.
- If a positive ground cannot be established through the power cord and **if local code permits** its use, connect an external ground wire (18 gauge minimum, available at your local hardware store). Connect one end of the wire under the ground screw (located at the rear of the dryer) and the other end to a known effective electrical ground.
- If your home's electrical supply does not meet the above specifications and/or if you are not sure your home has an effective ground, have a qualified electrician or your local electrical utility company check it and correct any problems.





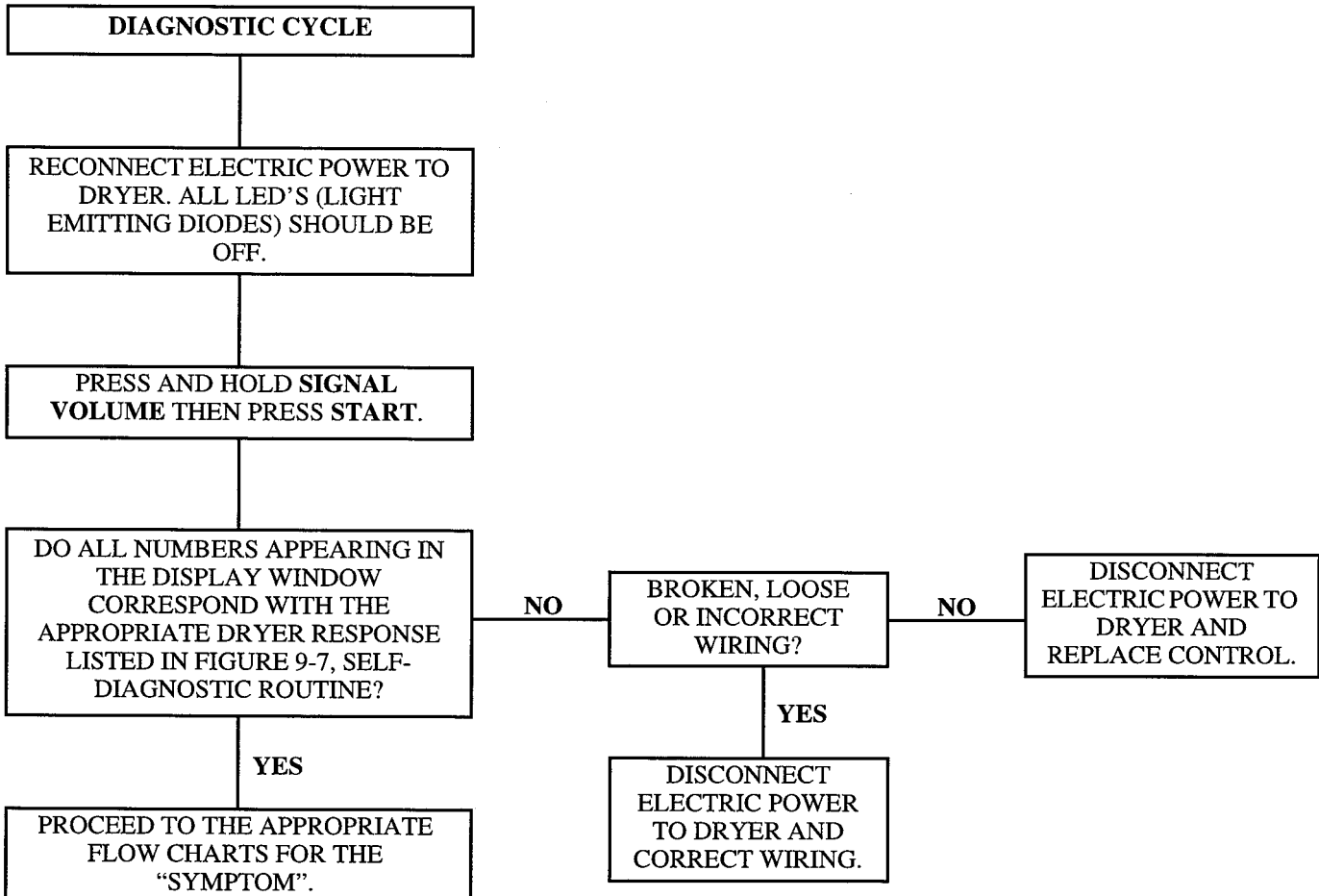
## WARNING

To reduce the risk of electric shock, fire, explosion, serious injury or death:

- Disconnect electric power to the dryer before servicing.
- Close gas shut-off valve to gas dryer before servicing.
- Never start the dryer with any guards/panels removed.
- Whenever ground wires are removed during servicing, these ground wires must be reconnected to ensure that the dryer is properly grounded.

W001

### 3. SYMPTOM: FAILURE SYMPTOMS



**NOTE:** The DIAGNOSTIC cycle follows the Diagnostic Routine located behind the control hood. All numbers should match with the correct dryer action. See figure 9-7.



## WARNING

To reduce the risk of electric shock, fire, explosion, serious injury or death:

- Disconnect electric power to the dryer before servicing.
- Close gas shut-off valve to gas dryer before servicing.
- Never start the dryer with any guards/panels removed.
- Whenever ground wires are removed during servicing, these ground wires must be reconnected to ensure that the dryer is properly grounded.

W001

### 4. DIAGNOSTIC ROUTINE

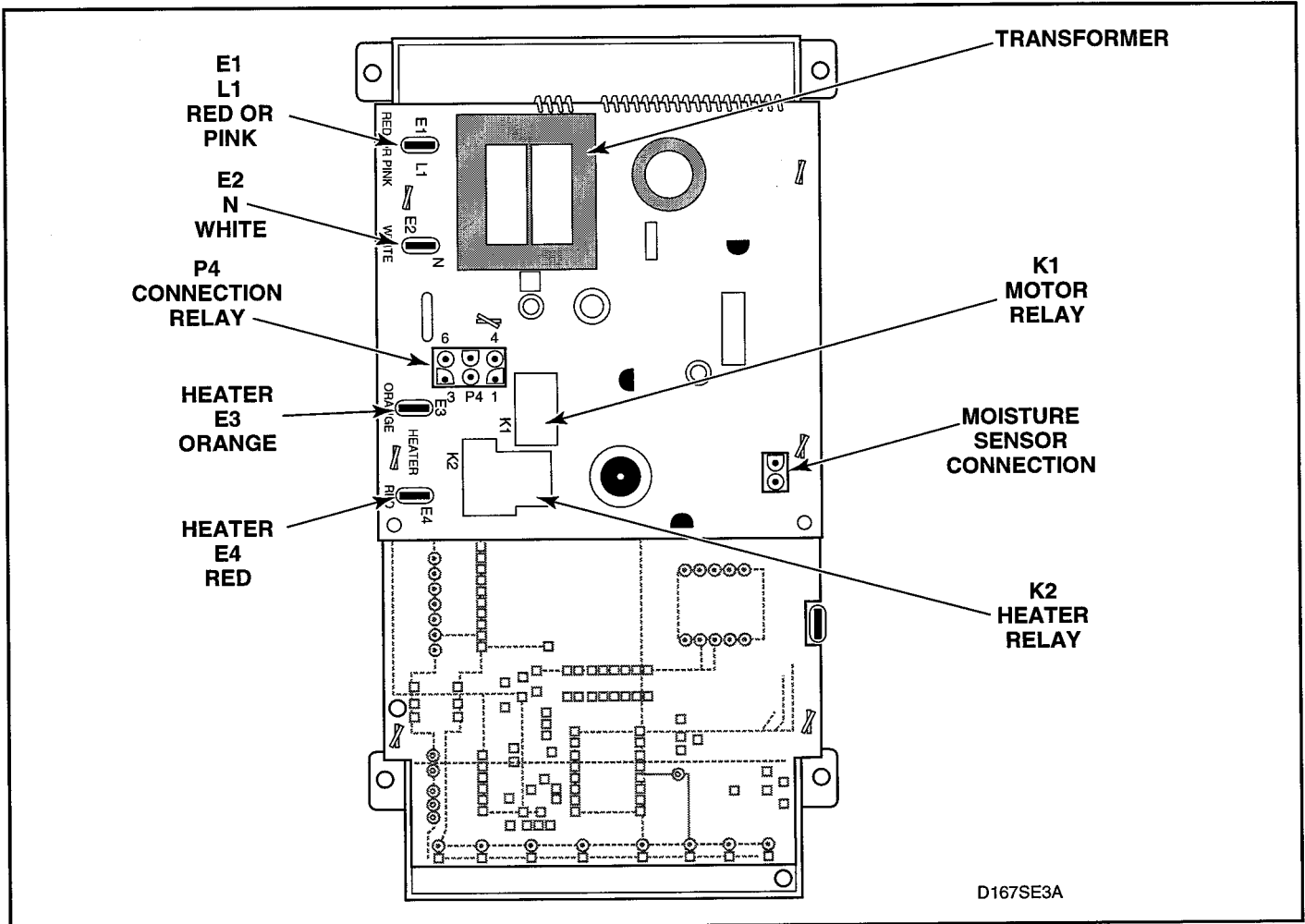


Figure 9-6



# WARNING

To reduce the risk of electric shock, fire, explosion, serious injury or death:

- Disconnect electric power to the dryer before servicing.
- Close gas shut-off valve to gas dryer before servicing.
- Never start the dryer with any guards/panels removed.
- Whenever ground wires are removed during servicing, these ground wires must be reconnected to ensure that the dryer is properly grounded.

W001

TIME DISPLAY	ILLUMINATED LED'S/VFD	MOTOR RELAY	HEATER RELAY	SIGNAL
11	ALL ON	ON	OFF	OFF
12	ALL OFF	ON	ON	OFF
33	ALL ON	ON	ON	OFF
44	ALL ON	ON	ON	OFF
55	ALL OFF	OFF	OFF	LOWEST
66	ALL ON	OFF	OFF	MEDIUM
77	ALL OFF	OFF	OFF	LOUDEST

**NOTE:**

1. This test routine will only light in the LED's pertaining to the hardware model selected.
2. When the last step in the table is finished, the routine sequence will repeat.
3. Each output is on for two seconds.

Figure 9-7



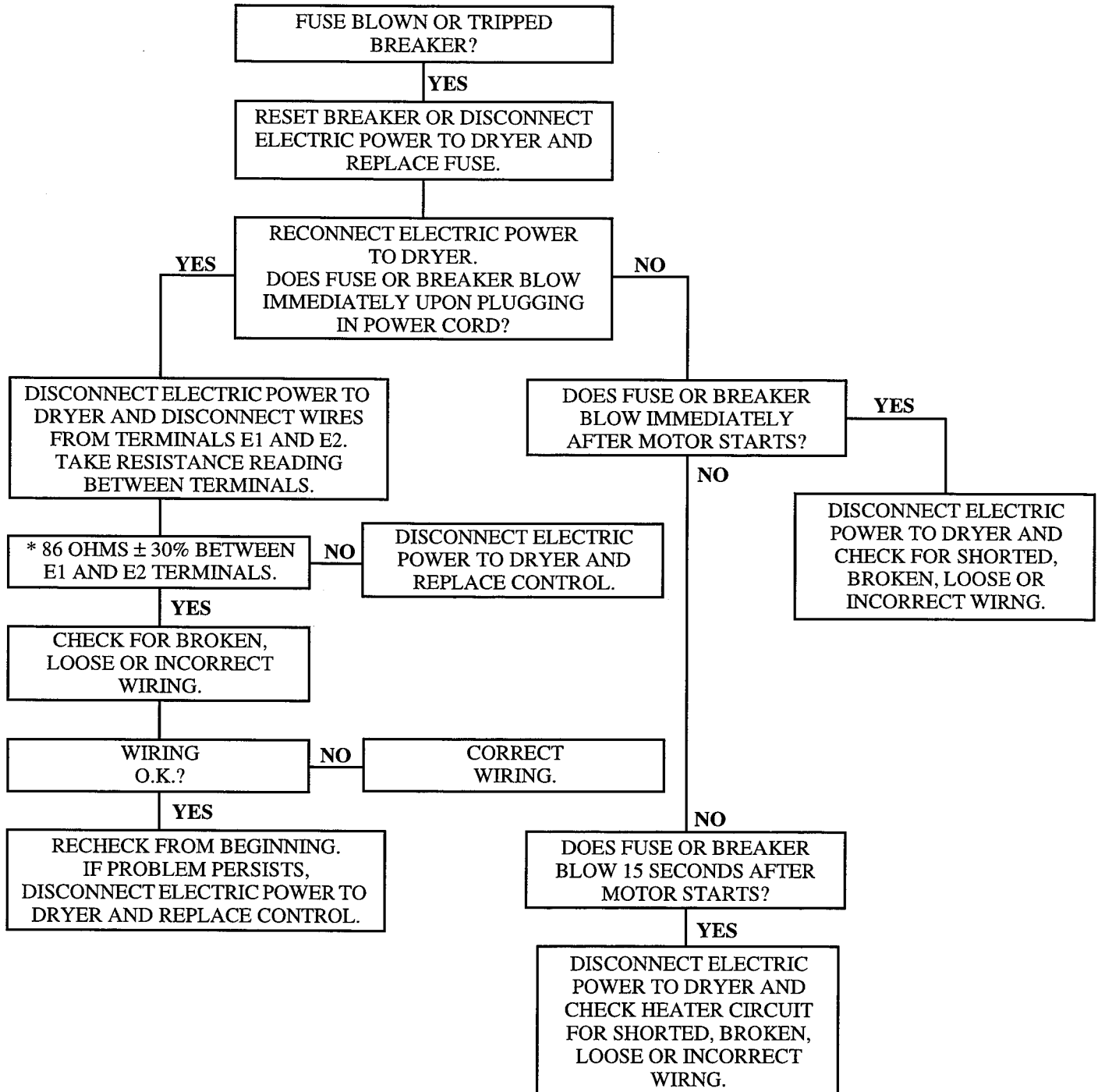
# WARNING

To reduce the risk of electric shock, fire, explosion, serious injury or death:

- Disconnect electric power to the dryer before servicing.
- Close gas shut-off valve to gas dryer before servicing.
- Never start the dryer with any guards/panels removed.
- Whenever ground wires are removed during servicing, these ground wires must be reconnected to ensure that the dryer is properly grounded.

W001

## 5. SYMPTOM: BLOWN FUSE OR TRIPPED CIRCUIT BREAKER.



\* This measurement should be made with a digital Multi-Meter set at 200 Ohm scale for best accuracy.

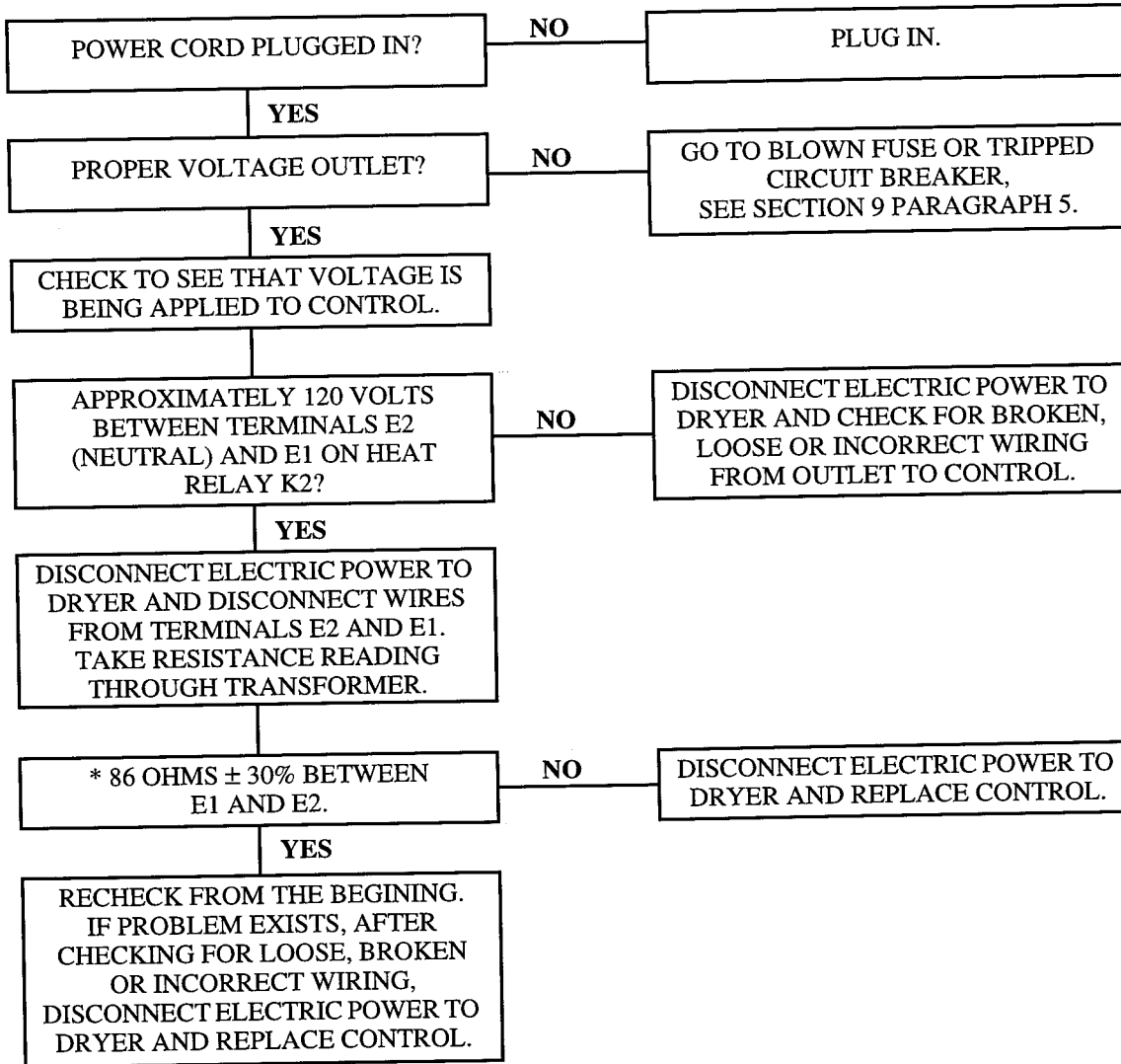
# WARNING

To reduce the risk of electric shock, fire, explosion, serious injury or death:

- Disconnect electric power to the dryer before servicing.
- Close gas shut-off valve to gas dryer before servicing.
- Never start the dryer with any guards/panels removed.
- Whenever ground wires are removed during servicing, these ground wires must be reconnected to ensure that the dryer is properly grounded.

W001

## 6. SYMPTOM: CONTROL WILL NOT WAKE UP (no LED'S light) AFTER SELECT CYCLE PAD IS PRESSED.



\* This measurement should be made with a digital Multi-Meter set at 200 Ohm scale for best accuracy.



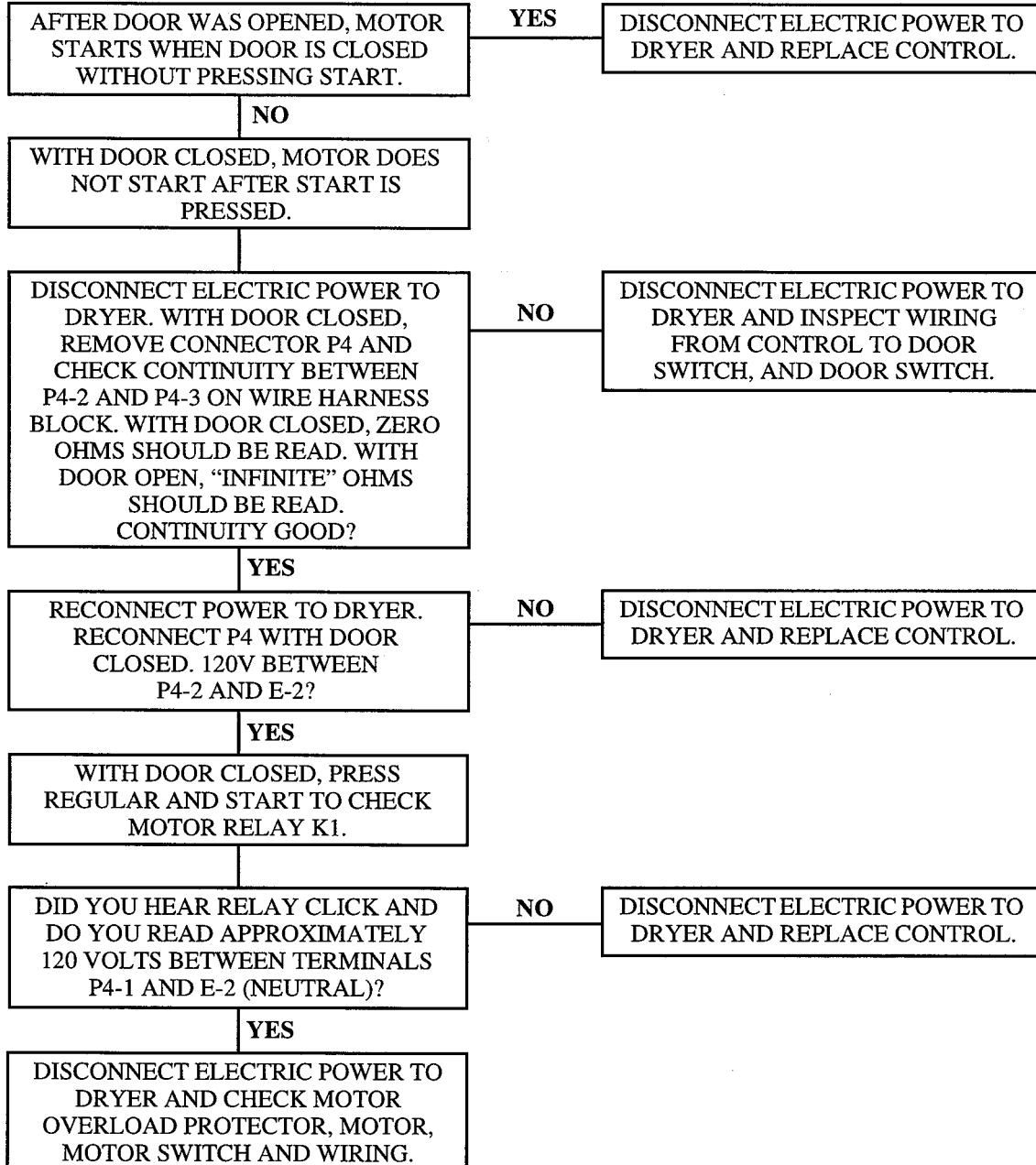
# WARNING

To reduce the risk of electric shock, fire, explosion, serious injury or death:

- Disconnect electric power to the dryer before servicing.
- Close gas shut-off valve to gas dryer before servicing.
- Never start the dryer with any guards/panels removed.
- Whenever ground wires are removed during servicing, these ground wires must be reconnected to ensure that the dryer is properly grounded.

W001

**7. SYMPTOM: CONTROL WAKES UP (WHEN SELECT CYCLE PAD IS PRESSED) BUT MOTOR DOES NOT START PROPERLY. CONTROL MAY INDICATE DOOR OPEN ON DISPLAY WITH DOOR CLOSED. HOWEVER, THE FOLLOWING CHECKS STILL NEED TO BE MADE TO ISOLATE THE PROBLEM.**





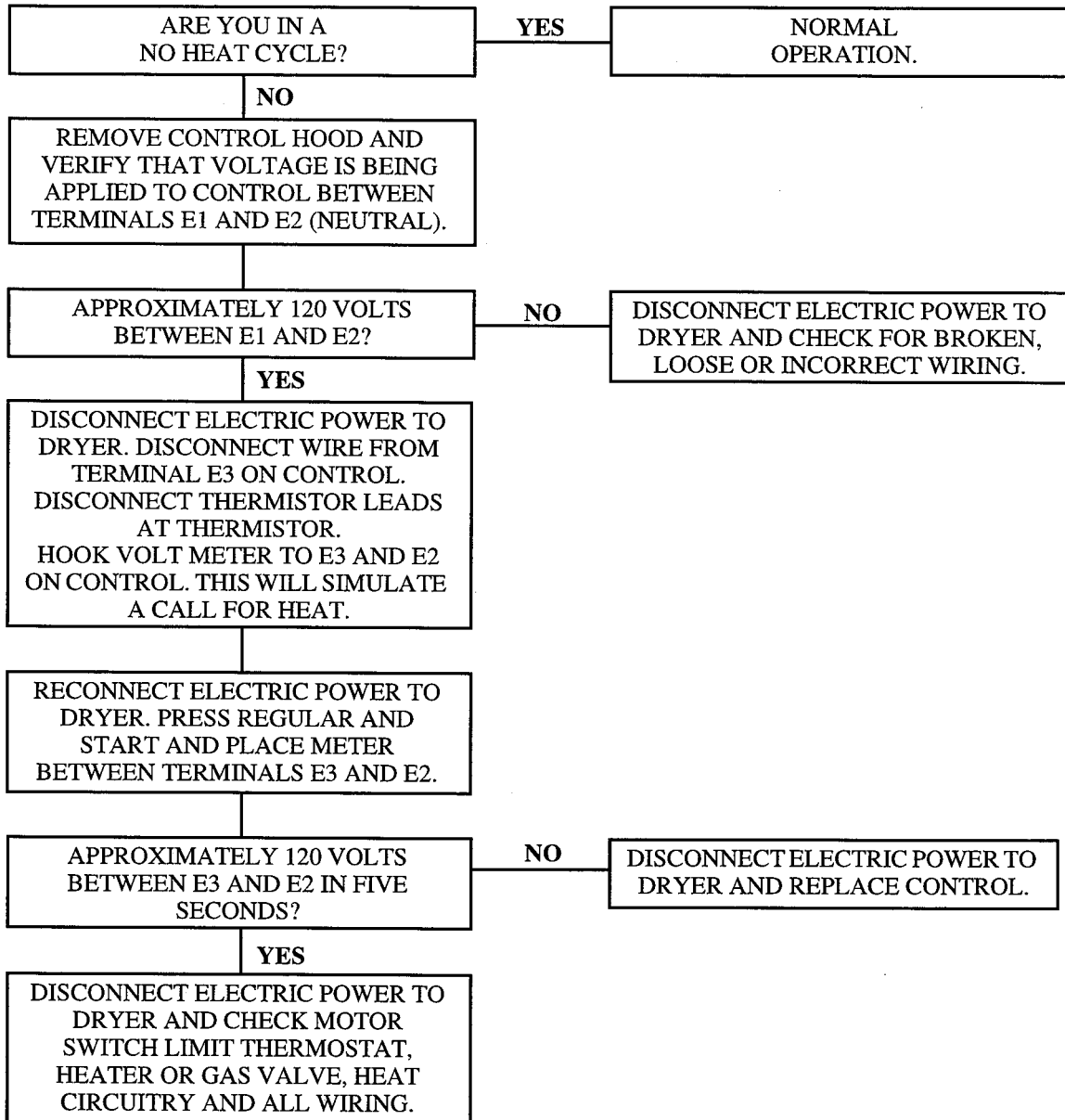
# WARNING

To reduce the risk of electric shock, fire, explosion, serious injury or death:

- Disconnect electric power to the dryer before servicing.
- Close gas shut-off valve to gas dryer before servicing.
- Never start the dryer with any guards/panels removed.
- Whenever ground wires are removed during servicing, these ground wires must be reconnected to ensure that the dryer is properly grounded.

W001

## 8. SYMPTOM: HEATER DOES NOT TURN ON OR NO HEAT.





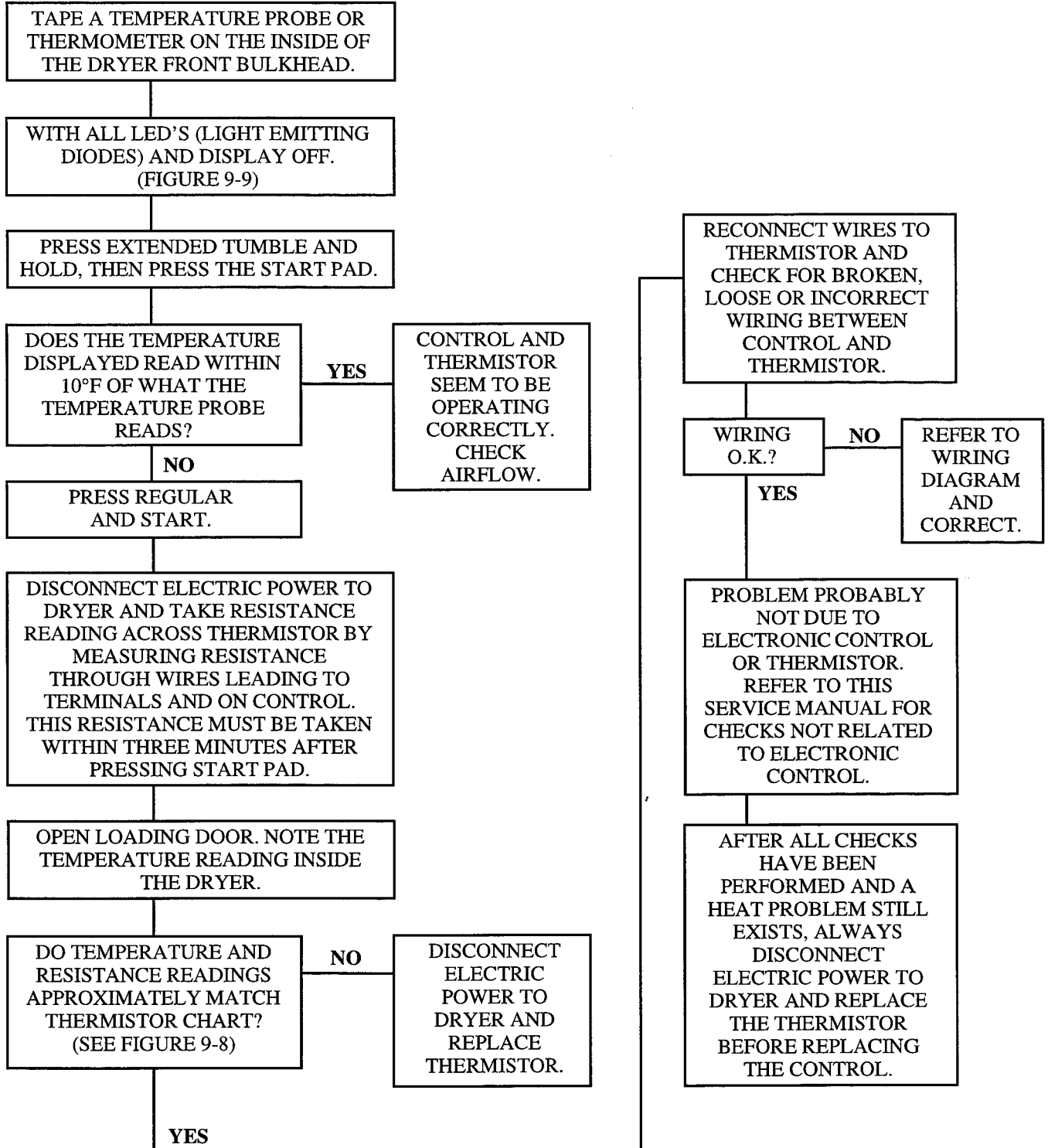
# WARNING

To reduce the risk of electric shock, fire, explosion, serious injury or death:

- Disconnect electric power to the dryer before servicing.
- Close gas shut-off valve to gas dryer before servicing.
- Never start the dryer with any guards/panels removed.
- Whenever ground wires are removed during servicing, these ground wires must be reconnected to ensure that the dryer is properly grounded.

W001

## 9. SYMPTOM: IMPROPER DRYING TEMPERATURE OR DRY TIMES.





**Thermistor Chart**

<b>Temp. °F</b>	<b>Resistance Ohms</b>	<b>Temp. °F</b>	<b>Resistance Ohms</b>	<b>Temp. °F</b>	<b>Resistance Ohms</b>
-20	826000	55	87200	125	16900
-15	697000	60	76600	130	15200
-10	590500	65	67350	135	13800
-5	501500	70	59400	140	12400
0	427000	75	52500	145	11300
5	364800	77	50000	150	10200
10	312500	80	46500	155	9300
15	268400	85	41300	160	8400
20	231200	90	36700	165	7700
25	199600	95	32700	170	7000
30	172800	100	29100	175	6400
35	150000	105	26100	180	5900
40	130500	110	23300	185	5400
45	113800	115	20900	190	4900
50	99500	120	18800	195	4500

Figure 9-8



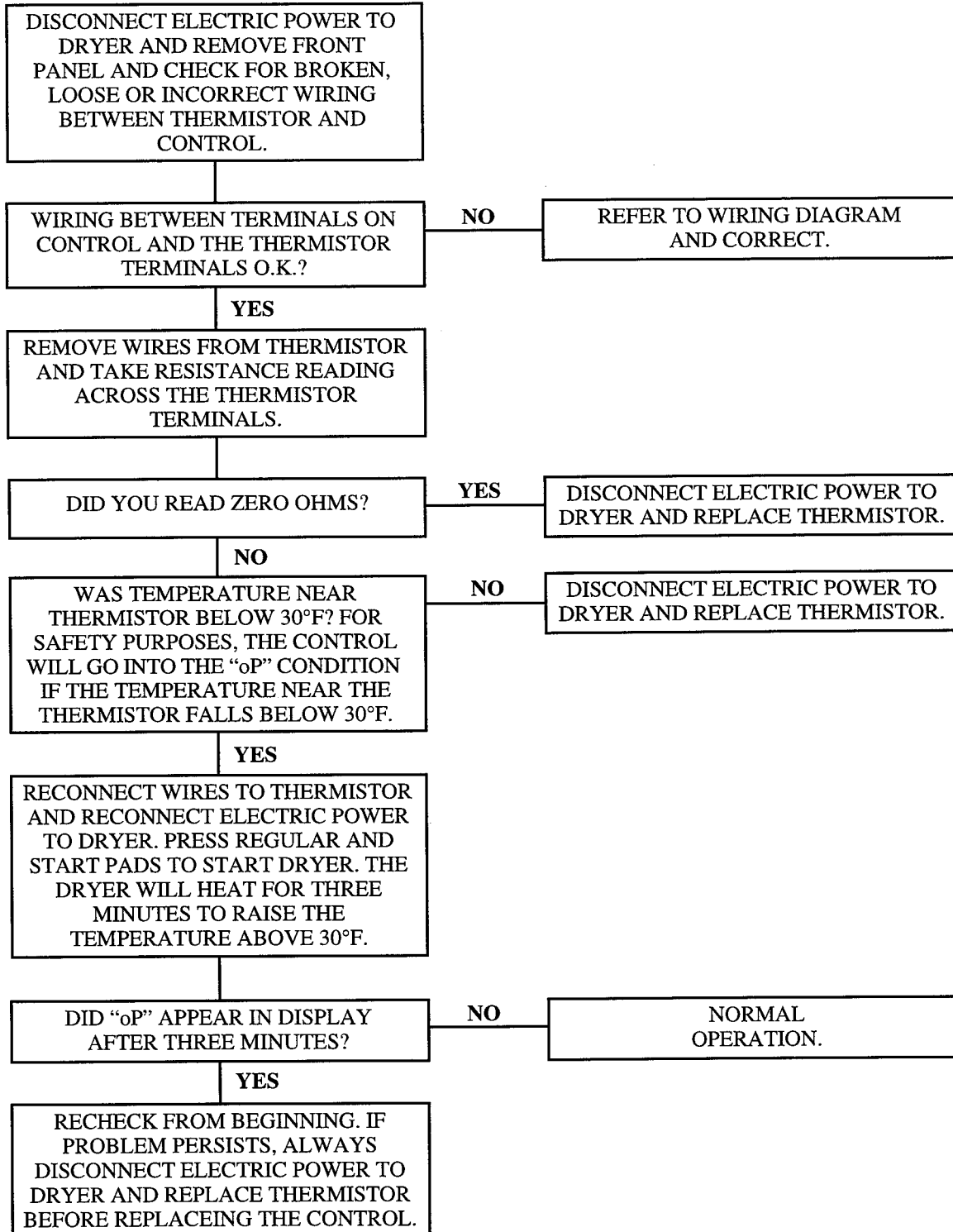
## WARNING

To reduce the risk of electric shock, fire, explosion, serious injury or death:

- Disconnect electric power to the dryer before servicing.
- Close gas shut-off valve to gas dryer before servicing.
- Never start the dryer with any guards/panels removed.
- Whenever ground wires are removed during servicing, these ground wires must be reconnected to ensure that the dryer is properly grounded.

W001

### 10. SYMPTOM: "oP" APPEARS IN TIME DISPLAY.





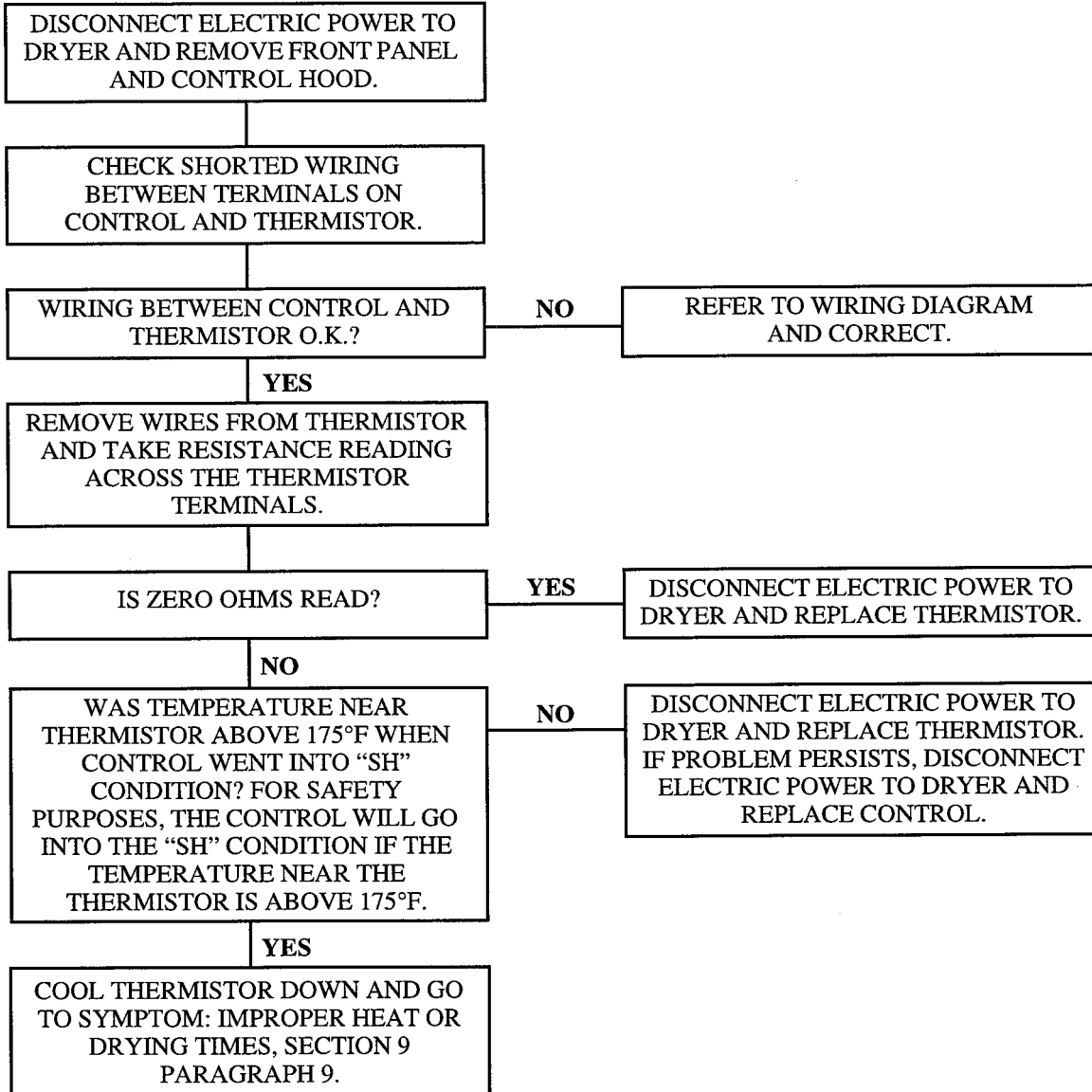
# WARNING

To reduce the risk of electric shock, fire, explosion, serious injury or death:

- Disconnect electric power to the dryer before servicing.
- Close gas shut-off valve to gas dryer before servicing.
- Never start the dryer with any guards/panels removed.
- Whenever ground wires are removed during servicing, these ground wires must be reconnected to ensure that the dryer is properly grounded.

W001

## 11. SYMPTOM: "SH" APPEARS IN TIME DISPLAY





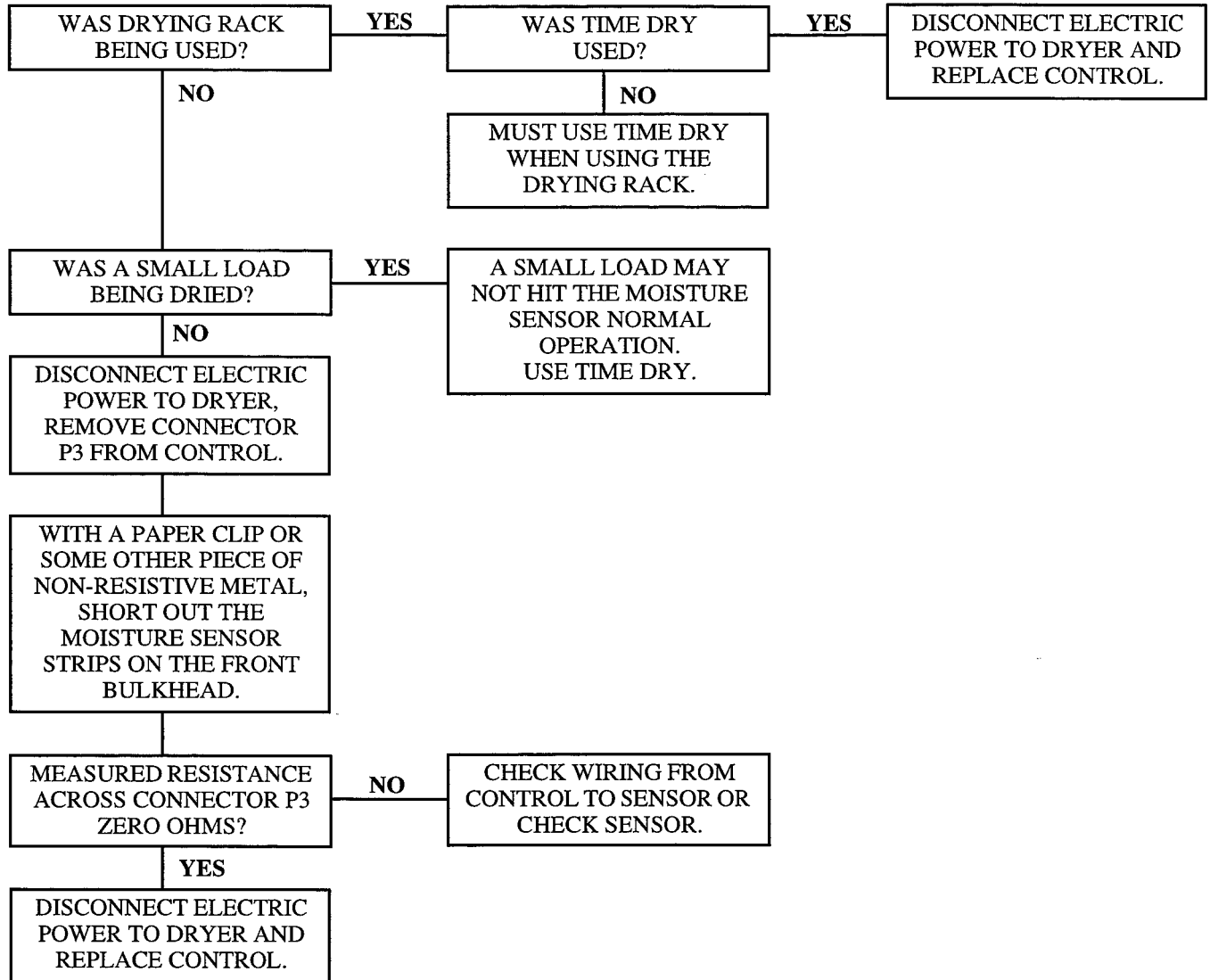
# WARNING

To reduce the risk of electric shock, fire, explosion, serious injury or death:

- Disconnect electric power to the dryer before servicing.
- Close gas shut-off valve to gas dryer before servicing.
- Never start the dryer with any guards/panels removed.
- Whenever ground wires are removed during servicing, these ground wires must be reconnected to ensure that the dryer is properly grounded.

W001

## 12. SYMPTOM: DRYER GOES INTO COOL-DOWN IN ABOUT FIVE MINUTES AND LOAD IS NOT DRY.





# WARNING

To reduce the risk of electric shock, fire, explosion, serious injury or death:

- Disconnect electric power to the dryer before servicing.
- Close gas shut-off valve to gas dryer before servicing.
- Never start the dryer with any guards/panels removed.
- Whenever ground wires are removed during servicing, these ground wires must be reconnected to ensure that the dryer is properly grounded.

W001

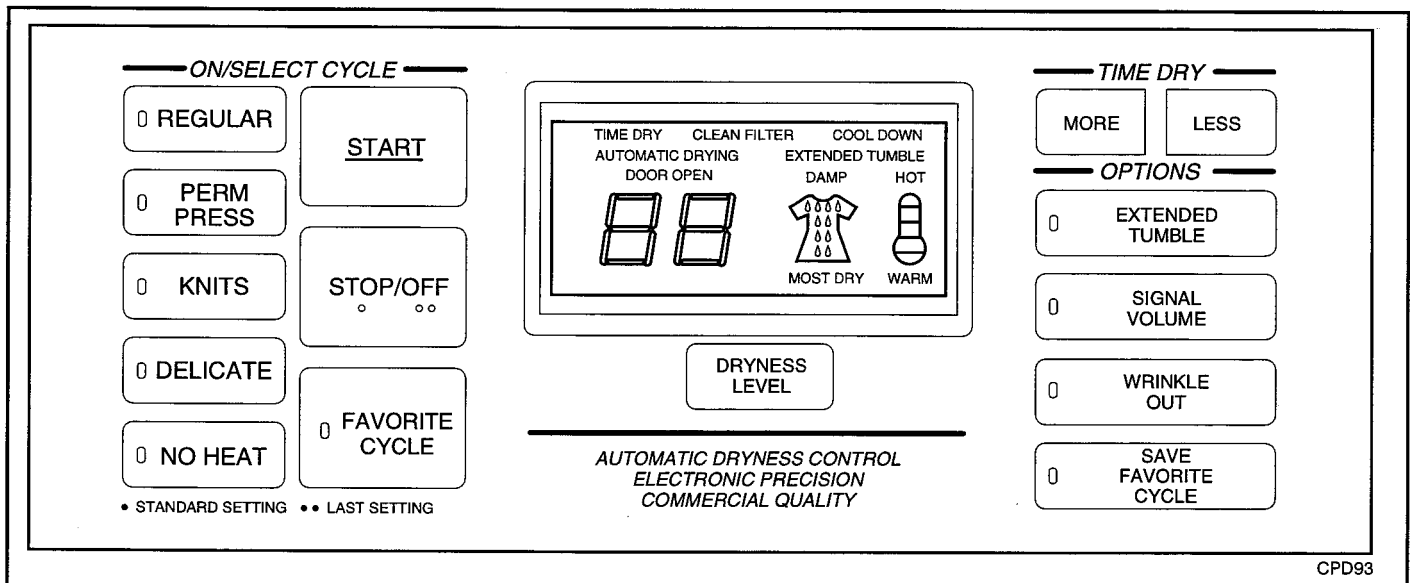
## 13. CONTROL REPLACEMENT (Figure 9-9)

When a problem with the electronic control is detected during the diagnostic cycle, or while making the electrical tests we have discussed, the control is replaced as a complete unit. Due to the sensitivity of the electronic control, careful handling is required. As a precautionary measure, we recommend the use of a grounded wrist strap when handling the electronic controls. The wrist strap, cord and alligator clip are designed to carry away any electrostatic charge from your body and to direct the charge to an available ground. By using this static protection device, potential electrostatic discharge problems associated with the handling of the electronic control will be minimized. Always handle the electronic control by the metal edges. If a wrist strap is not available, touch the dryer while it is plugged in before handling the control to dissipate any charge.

To replace the control, first unplug the dryer. Remove all of the wires connected to the control and take out the screws securing the control to the control hood. When removing wires from the control, hold down on the board near the appropriate terminal, and disconnect the wires using a pliers. Do not pull on wires.

The new control is supplied in a special anti-static wrapping, and protected by anti-static foam. While holding the metal edges, remove the control from the foam and the wrapping. Lift the inoperative control off the mounting bracket and place it on the anti-static wrapping. Before positioning the new control in the control hood, peel off the protective plastic coating from the front side of the control, then fasten the control down with the screws. Following the wiring diagram, reconnect the wires to the new control, then replace the control hood.

**IMPORTANT: Take care when handling the original control. It must be carefully placed in the anti-static wrapping and the anti-static foam which was removed from the new control. A copy of the replacement report, included on the next page, must be completely filled out and returned with the control. Warranty credit will not be issued if the control is not wrapped properly.**



CPD93

Figure 9-9

# Electronic Control Board Replacement Report

Installation Date: \_\_\_\_\_ Date Failed: \_\_\_\_\_

Model No. \_\_\_\_\_ Serial No.: \_\_\_\_\_

Service Company Identification No.: \_\_\_\_\_

1. What was the customer's complaint?

2. Mark the cause of the complaint in the appropriate box below:

## Washer Control Failure

### Failure in Diagnostic Cycle

#### **Transformer:**

- Resistance not in 60 – 100 Ohm range between E1 and E2?

#### **Hot Water Relay K5:**

- 120 Volts not found between P4-1 and E2 in hot fill?

#### **Cold Water Relay K6:**

- 120 Volts not found between P4-4 and E2 in cold fill?

#### **Speed Relay K2:**

- 120 Volts not found between E2 and P3-5 in low speed?  
 120 Volts not found between E2 and P3-4 in high speed?

#### **Agitation Relay K3:**

- 120 Volts not found between P3-3 and E2 in agitation?  
 120 Volts found between P3-3 and E2 in spin?

#### **Spin Relay K3:**

- 120 Volts not found between P3-1 and E2 during spin?  
 120 Volts found between P3-1 and E2 during agitation?  
 Ambient temperature is not what control shows in temperature diagnostics. (Allow washer to return to room temperature before running diagnostics.)

## Dryer Control Failure

### Failure in Diagnostic Cycle

#### **Transformer:**

- Resistance not in 60 – 100 Ohm range between E1 and E2?

#### **Motor Relay K1:**

- 120 Volts not found between P4-1 and E2.?

#### **Heat Relay K2:**

- With E3 disconnected, 120 Volts not found between E3 and E2?

#### **Temperature Regulating Circuit:**

- "SH" appears in the display window when the exhaust temperature is less than 175°F?  
 "OP" appears in display window when the dryer has heated for three minutes.  
 Ambient temperature is not what control shows in temperature diagnostics. (Allow dryer to return to room temperature before running diagnostics.)

## Dryer Moisture Sensor Control Failure

#### **Timer Motor Relay K702:**

- 120 Volts not found between "M" and "T"?

#### **Heat Relay K701:**

- 120 Volts not found between "E2" and "E3"?

#### **Temperature Regulating Circuit:**

- Timer, thermistor, moisture sensor and Temp/dryness control are functioning and work correctly.

**Both copies of this form must be completed and returned with the control board.**

**Warranty is void if control board is returned improperly packed or damaged.**



# SECTION 10

## Internal Wiring of Dryer Motor Switch



### WARNING

To reduce the risk of electric shock, fire, explosion, serious injury or death:

- Disconnect electric power to the washer before servicing.
- Never start the washer with any guards/panels removed.
- Whenever ground wires are removed during servicing, these ground wires must be reconnected to ensure that the washer is properly grounded.

W001

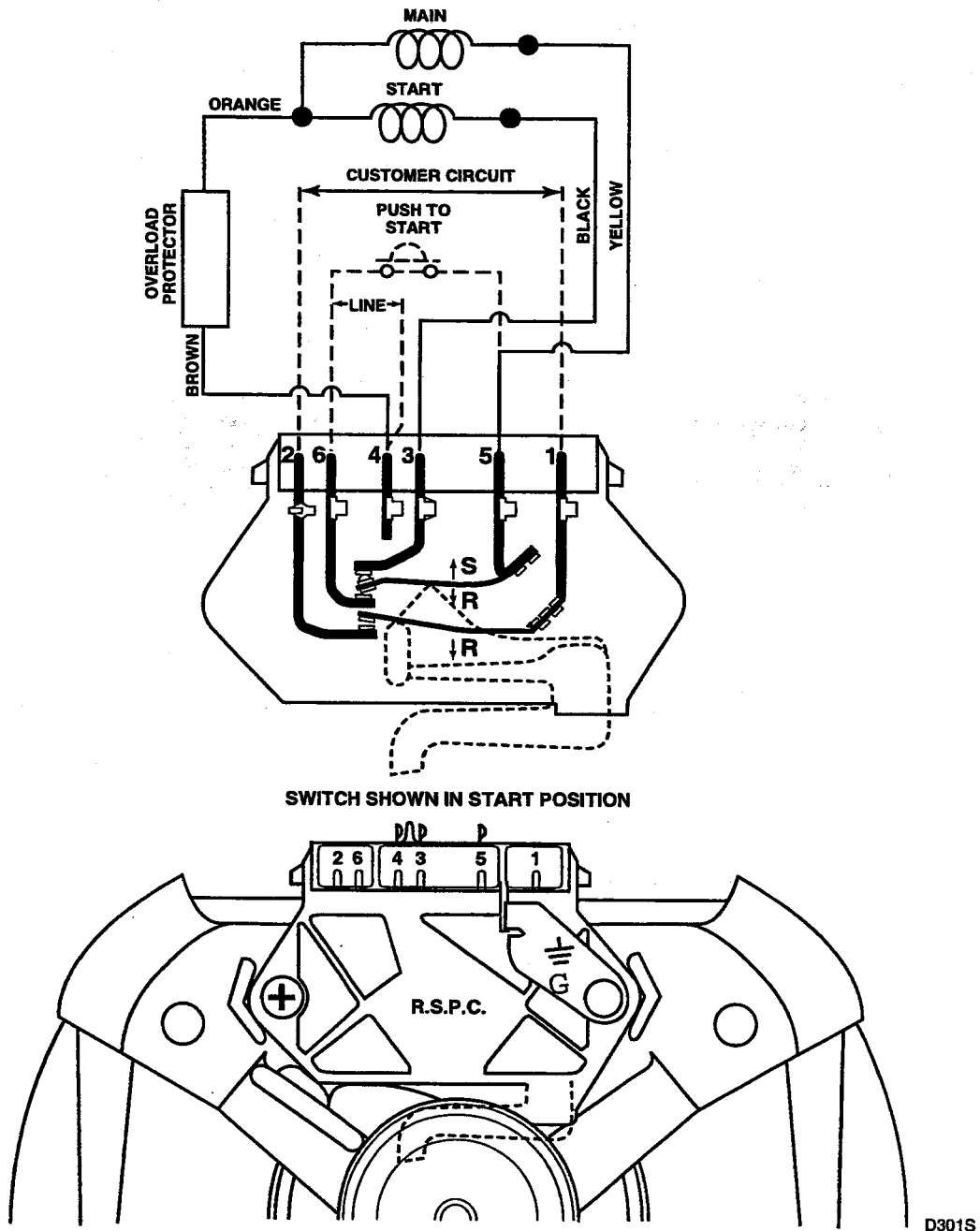


Figure 10-1





# SECTION 11

## Wiring Diagrams



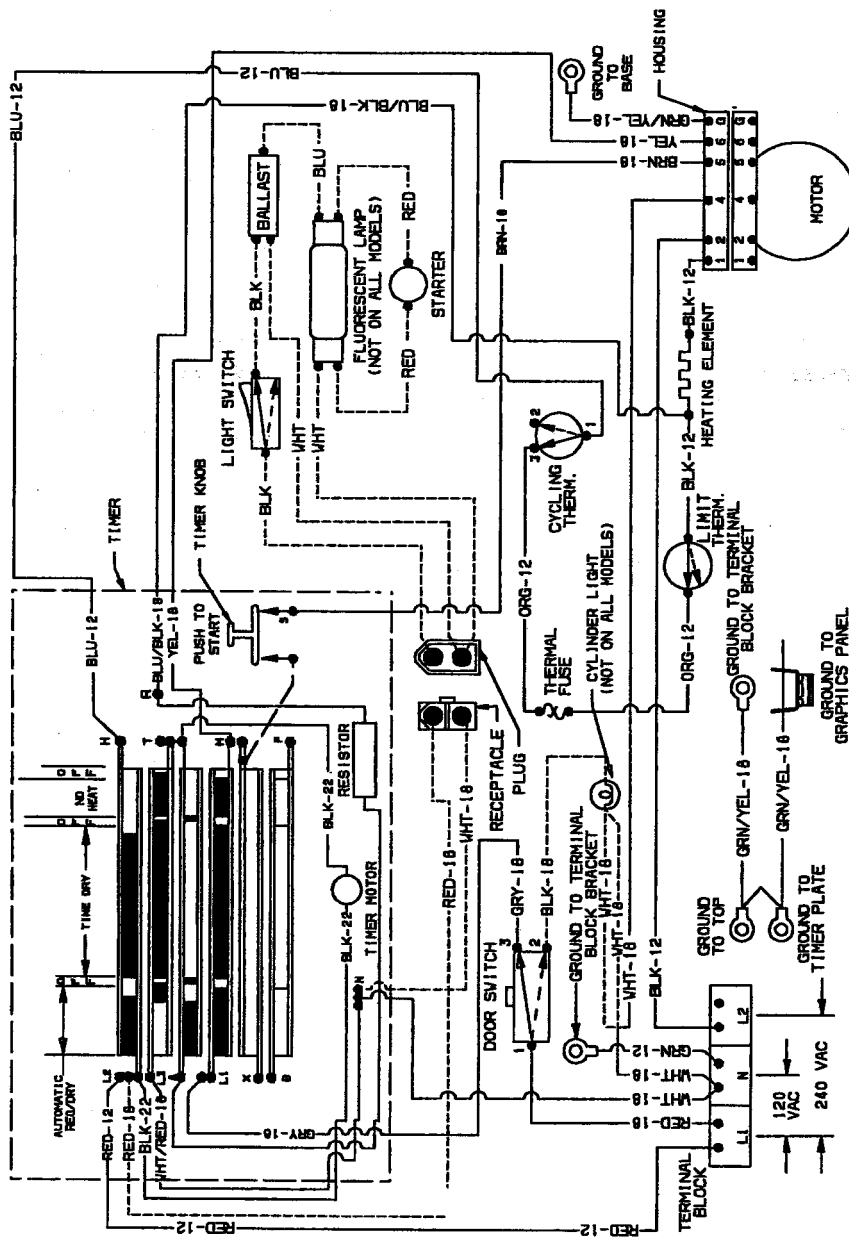
### WARNING

Failure to install, maintain, and/or operate this machine according to the manufacturer's instructions may result in conditions which can produce bodily injury and/or property damage.



### CAUTION

Label all wires prior to disconnection when servicing controls. Wiring errors can cause improper and dangerous operation. Verify proper operation after servicing.



Part number: 503946R1

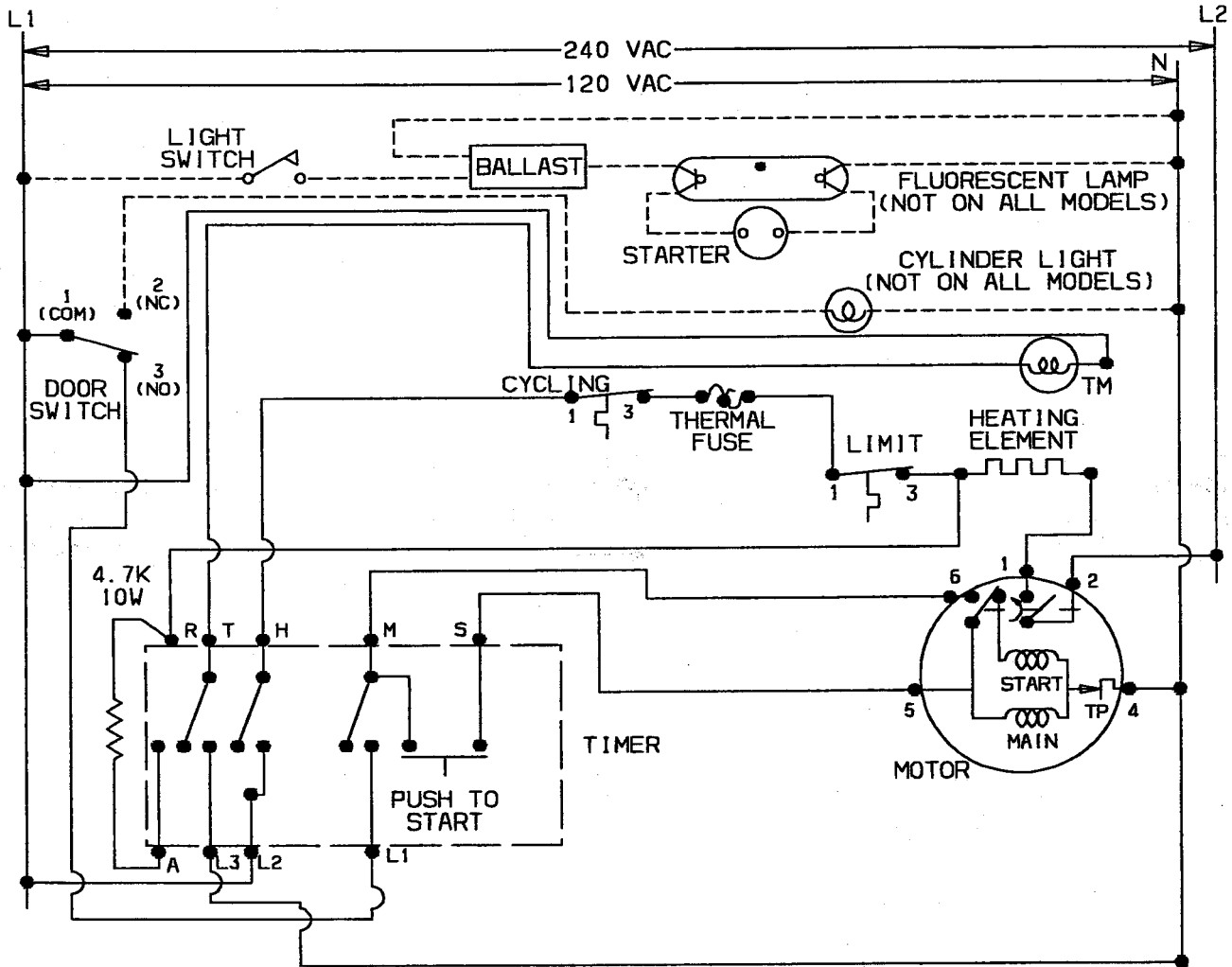
Model LEA10A\* Connection Diagram

# WARNING

Failure to install, maintain, and/or operate this machine according to the manufacturer's instructions may result in conditions which can produce bodily injury and/or property damage.

# CAUTION

Label all wires prior to disconnection when servicing controls. Wiring errors can cause improper and dangerous operation. Verify proper operation after servicing.



Model LEA10A\* Schematic Diagram



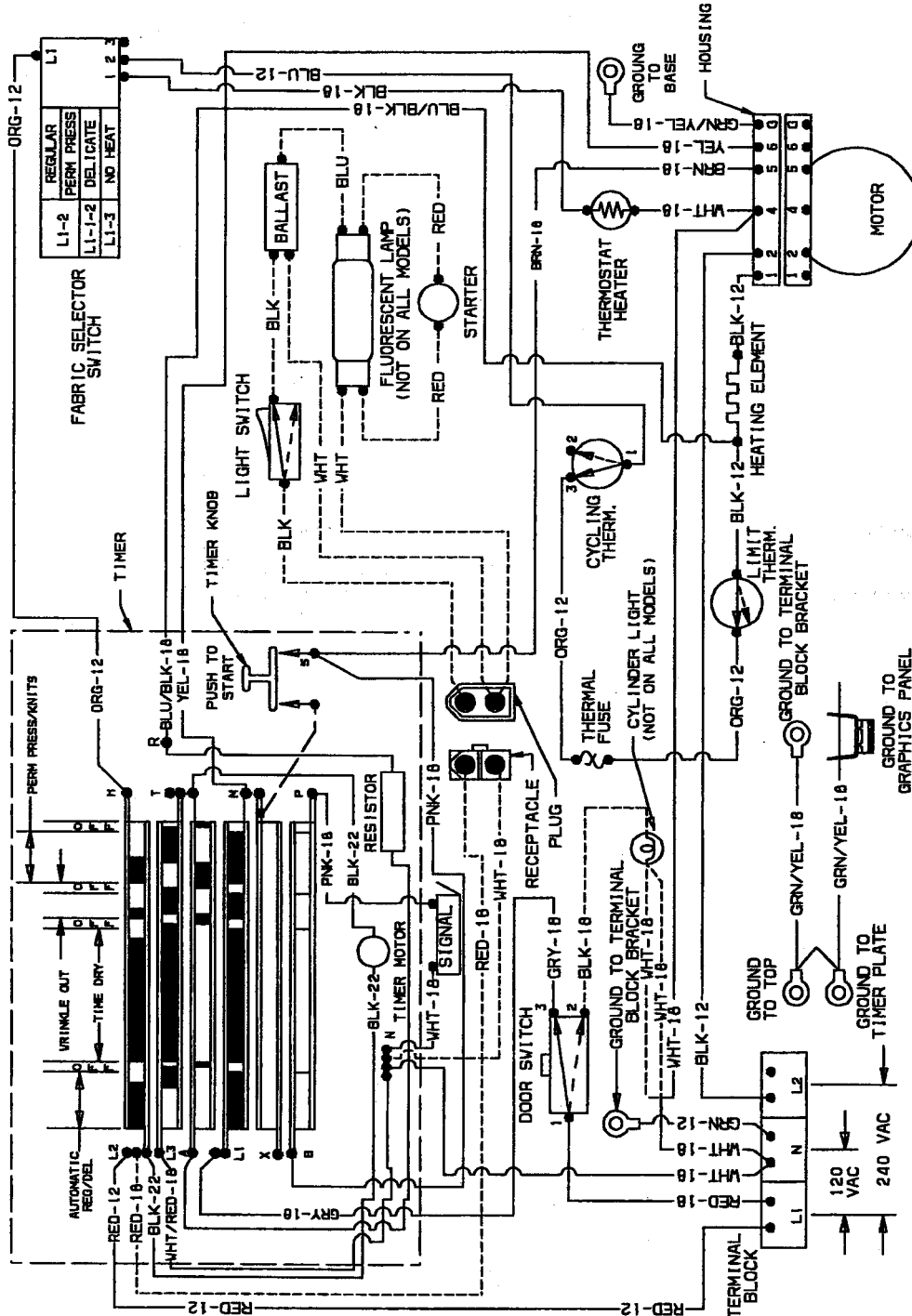
# WARNING

Failure to install, maintain, and/or operate this machine according to the manufacturer's instructions may result in conditions which can produce bodily injury and/or property damage.



# CAUTION

Label all wires prior to disconnection when servicing controls. Wiring errors can cause improper and dangerous operation. Verify proper operation after servicing.



Part number: 503942R1

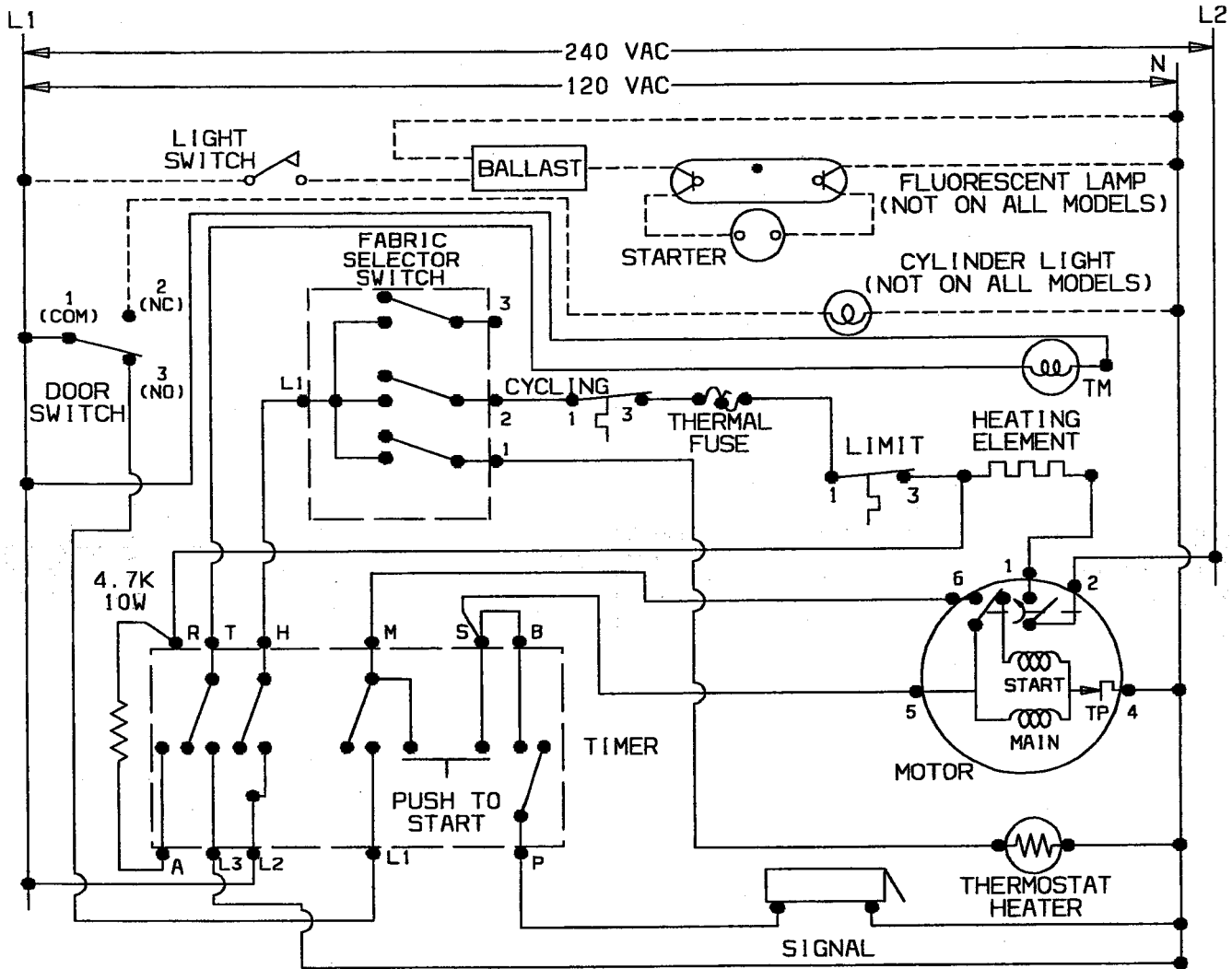
Model LEA30A\* Connection Diagram

# WARNING

Failure to install, maintain, and/or operate this machine according to the manufacturer's instructions may result in conditions which can produce bodily injury and/or property damage.

# CAUTION

Label all wires prior to disconnection when servicing controls. Wiring errors can cause improper and dangerous operation. Verify proper operation after servicing.



Model LEA30A\* Schematic Diagram



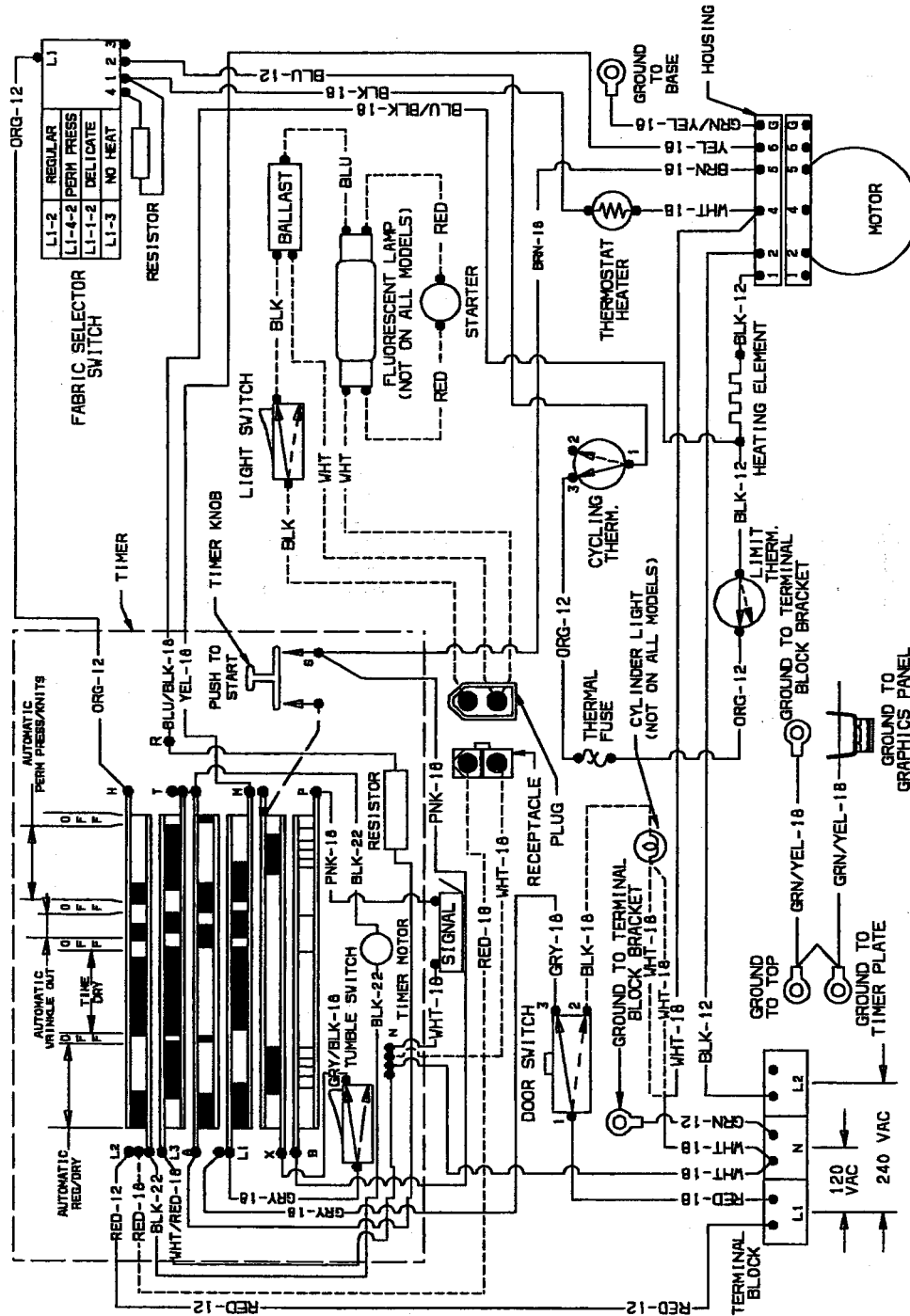
# WARNING

Failure to install, maintain, and/or operate this machine according to the manufacturer's instructions may result in conditions which can produce bodily injury and/or property damage.



# CAUTION

Label all wires prior to disconnection when servicing controls. Wiring errors can cause improper and dangerous operation. Verify proper operation after servicing.



Part number: 503934R1

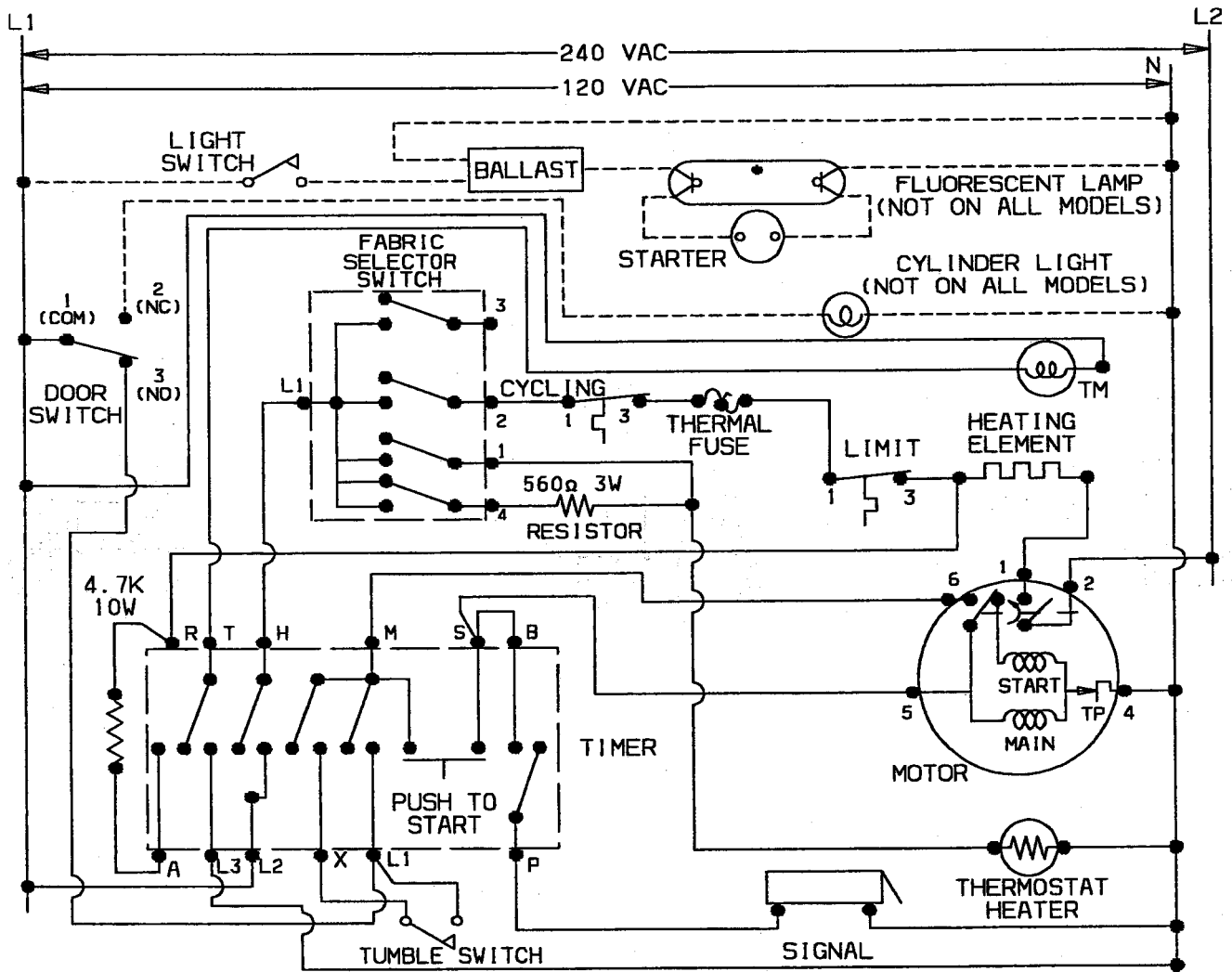
Models LEA50A\* and LEA60A\* Connection Diagram

# WARNING

Failure to install, maintain, and/or operate this machine according to the manufacturer's instructions may result in conditions which can produce bodily injury and/or property damage.

# CAUTION

Label all wires prior to disconnection when servicing controls. Wiring errors can cause improper and dangerous operation. Verify proper operation after servicing.



Models LEA50A\* and LEA60A\* Schematic Diagram



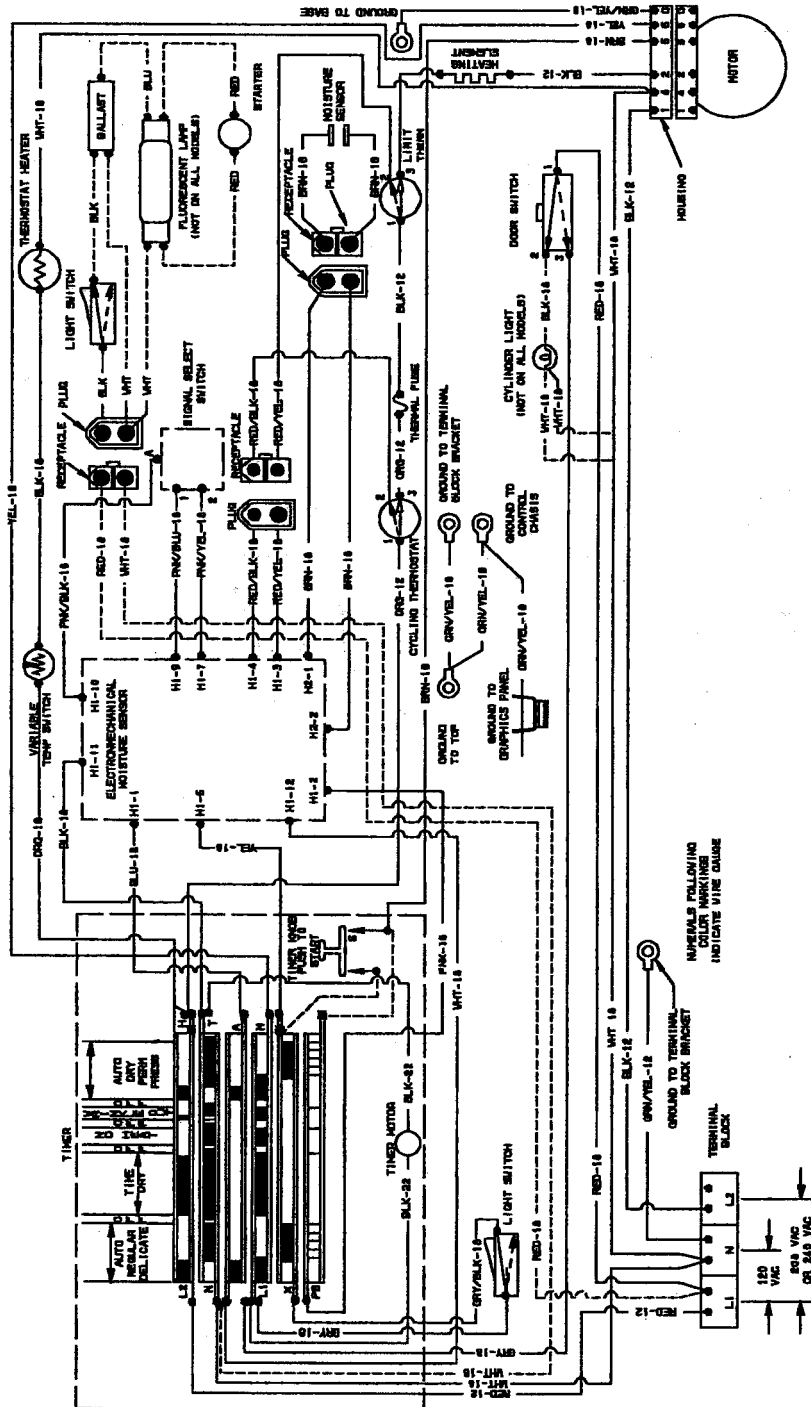
# WARNING

Failure to install, maintain, and/or operate this machine according to the manufacturer's instructions may result in conditions which can produce bodily injury and/or property damage.



# CAUTION

Label all wires prior to disconnection when servicing controls. Wiring errors can cause improper and dangerous operation. Verify proper operation after servicing.



Part number: 503930

Models LEA80A+ and LED65A+ Connection Diagram

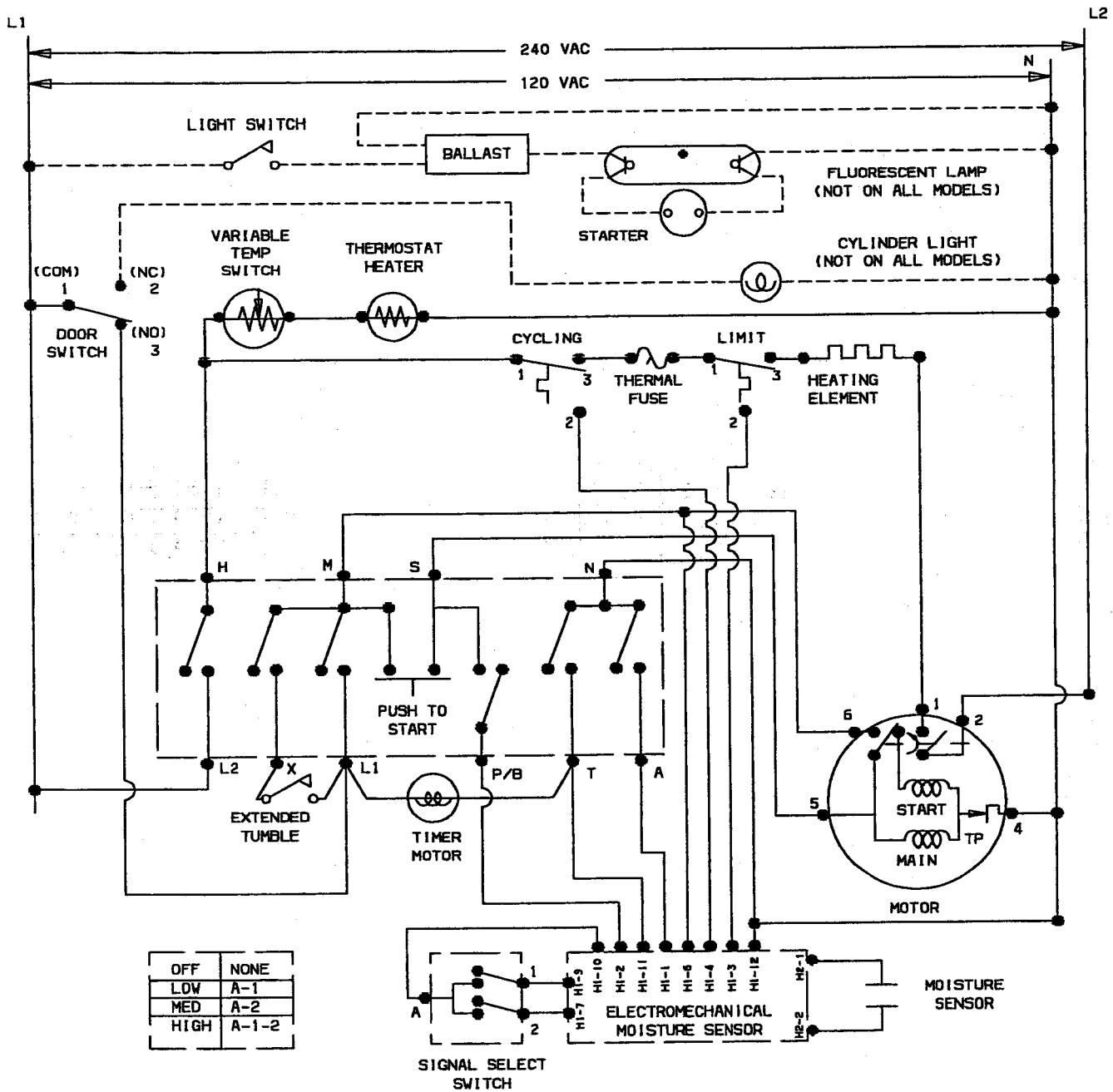


# ⚠ WARNING

Failure to install, maintain, and/or operate this machine according to the manufacturer's instructions may result in conditions which can produce bodily injury and/or property damage.

# ⚠ CAUTION

Label all wires prior to disconnection when servicing controls. Wiring errors can cause improper and dangerous operation. Verify proper operation after servicing.



**Models LEA80A+ and LED65A+ Schematic Diagram**



## WARNING

Failure to install, maintain, and/or operate this machine according to the manufacturer's instructions may result in conditions which can produce bodily injury and/or property damage.



## CAUTION

Label all wires prior to disconnection when servicing controls. Wiring errors can cause improper and dangerous operation. Verify proper operation after servicing.

# SELF-DIAGNOSTIC ROUTINE

ENTRY: FOLLOW THE SEQUENCE GIVEN BELOW

1. MAKE SURE DRYER DOOR IS CLOSED.
2. START IN THE SLEEP MODE (DISPLAY COMPLETELY OFF).
3. PRESS THE SIGNAL PAD AND HOLD.
4. NOW PRESS THE START PAD.
5. RELEASE BOTH PADS.
6. IF UNABLE TO START ROUTINE CHECK DOOR SWITCH.

EXIT: DO ANY OF THE FOLLOWING.

1. PRESS ANY PAD.
2. OPEN DRYER DOOR.
3. UNPLUG THE DRYER.

TIME DISPLAY	ILLUMINATED L.E.D./V.F.D.	MOTOR RELAY	HEAT RELAY	SIGNAL
11	ALL ON	ON	OFF	OFF
22	ALL OFF	ON	ON	OFF
33	ALL ON	ON	ON	OFF
44	ALL ON	ON	ON	OFF
55	ALL OFF	OFF	OFF	LOWEST
66	ALL ON	OFF	OFF	MEDIUM
77	ALL OFF	OFF	OFF	LOUDEST

1. THIS TEST ROUTINE WILL ONLY LIGHT THE LEADS PERTAINING TO THE HARDWARE MODEL SELECTED.
2. WHEN THE LAST STEP IN THE TABLE IS FINISHED THE ROUTINE SEQUENCE WILL REPEAT.
3. EACH OUTPUT IS ON FOR 5 SECONDS.

TEMPERATURE REGULATING CIRCUITRY ROUTINE: THIS ROUTINE WILL ALLOW A CHECK OF THE TEMPERATURE REGULATING CIRCUITRY. ONCE THIS ROUTINE IS ENTERED, THE CONTROL WILL DISPLAY A CODE IN THE 2-DIGIT VFD DISPLAY INDICATING A TEMPERATURE.

SEQUENCE TO ENTER TEMPERATURE REGULATING CIRCUIT ROUTINE

1. START IN THE SLEEP MODE (DISPLAY COMPLETELY OFF).
2. PRESS EXTENDED TUMBLE PAD AND HOLD.
3. NOW PRESS THE START PAD.
4. RELEASE BOTH PADS.
5. CONTROL NOW WILL DISPLAY THE AMBIENT TEMPERATURE OF THERMISTOR AS INDICATED IN THE TABLE BELOW.

DISPLAY	TEMP (±5°F)	DISPLAY	TEMP (±5°F)
0P	TEMPS < 10°F	00	100
50	50	10	110
60	60	20	120
70	70	30	130
80	80	SH	TEMPS > 170°F
90	90		

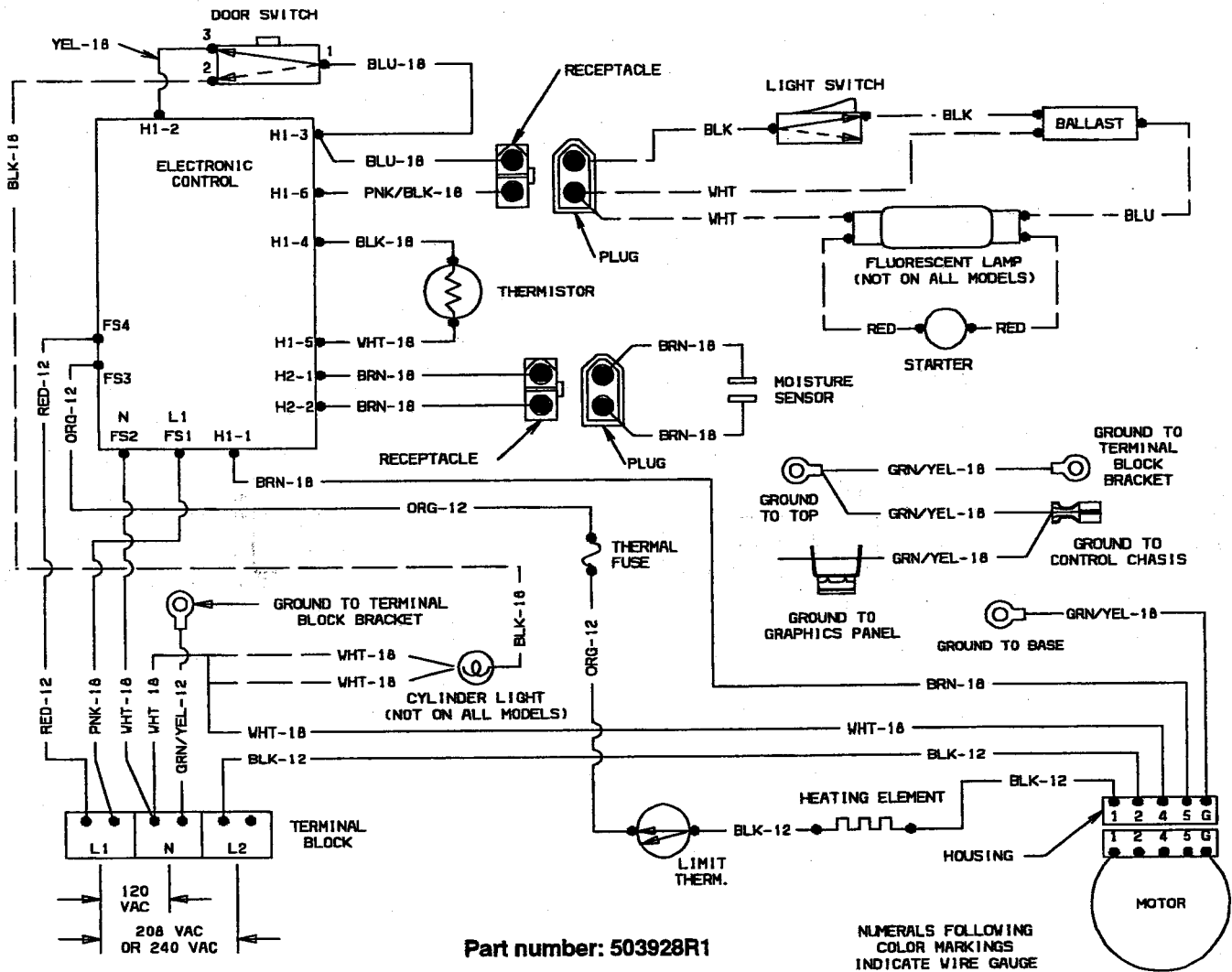
6. TO EXIT THIS ROUTINE PRESS ANY PAD OR UNPLUG THE MACHINE.

**! WARNING**

Failure to install, maintain, and/or operate this machine according to the manufacturer's instructions may result in conditions which can produce bodily injury and/or property damage.

**! CAUTION**

Label all wires prior to disconnection when servicing controls. Wiring errors can cause improper and dangerous operation. Verify proper operation after servicing.



**Models LEA90A\* Connection Diagram**



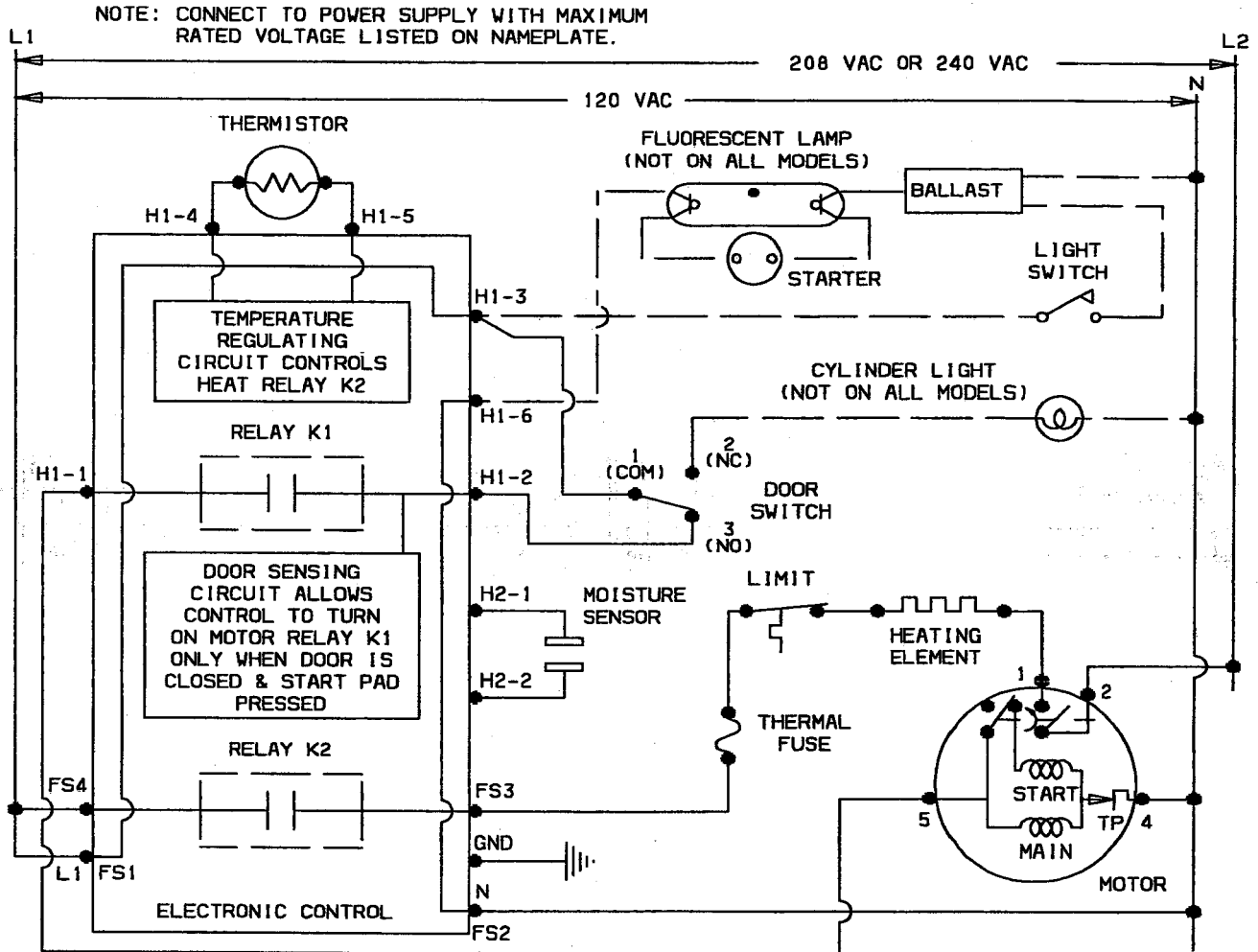
# WARNING

Failure to install, maintain, and/or operate this machine according to the manufacturer's instructions may result in conditions which can produce bodily injury and/or property damage.



# CAUTION

Label all wires prior to disconnection when servicing controls. Wiring errors can cause improper and dangerous operation. Verify proper operation after servicing.



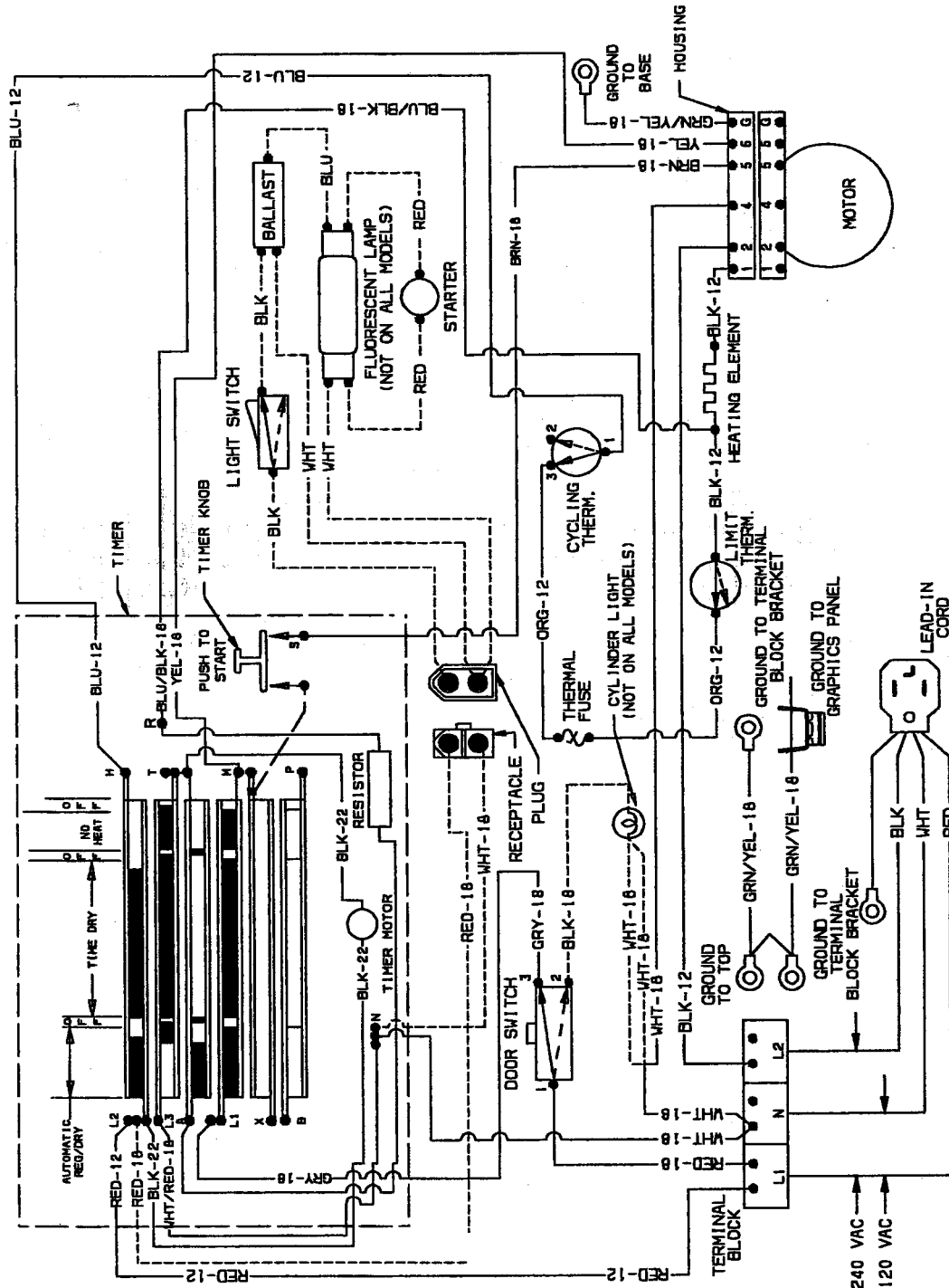
Models LEA90A\* Schematic Diagram

# ! WARNING

Failure to install, maintain, and/or operate this machine according to the manufacturer's instructions may result in conditions which can produce bodily injury and/or property damage.

# ! CAUTION

Label all wires prior to disconnection when servicing controls. Wiring errors can cause improper and dangerous operation. Verify proper operation after servicing.



Part number: 504891

**Model LEC10A+ Connection Diagram**



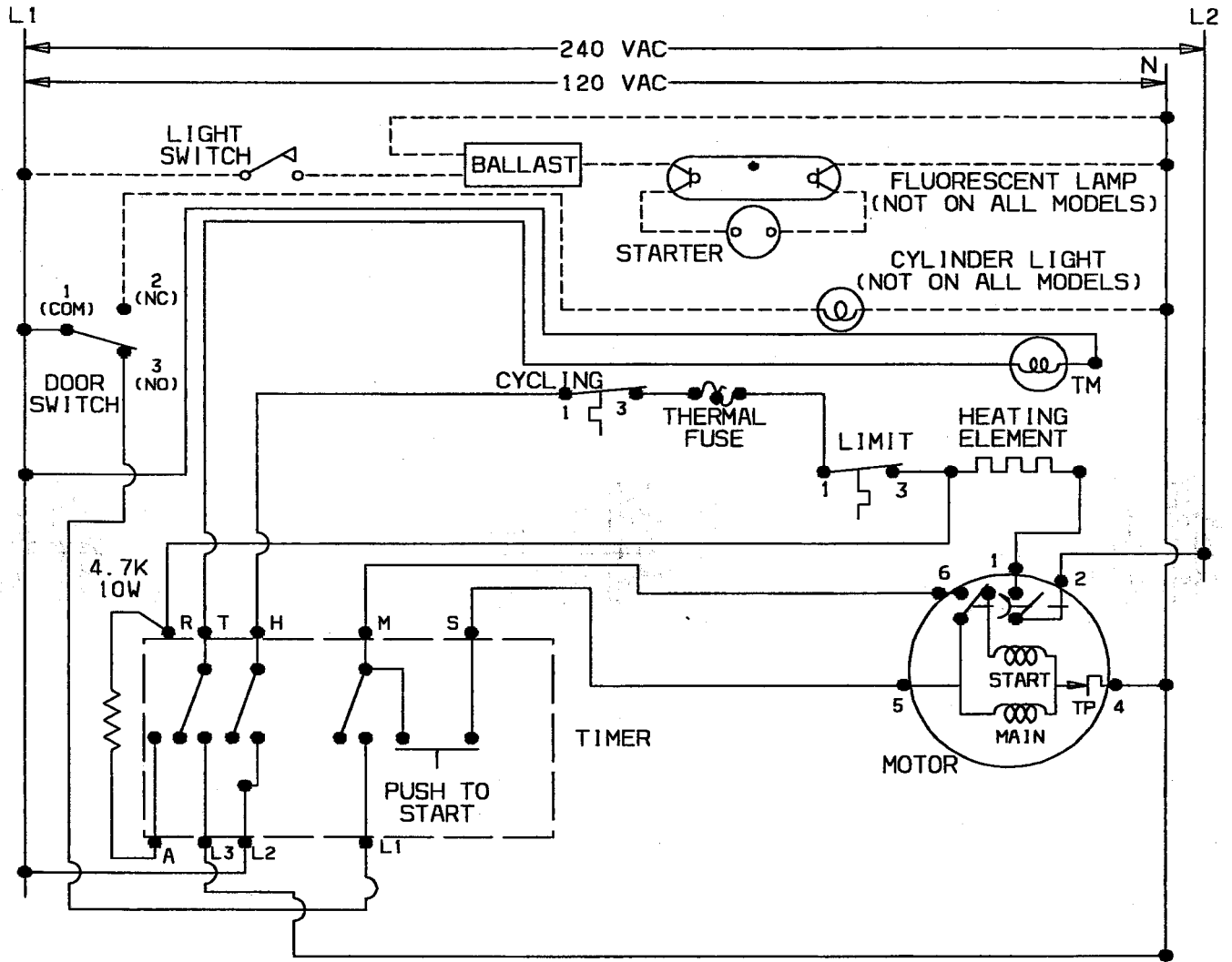
# WARNING

Failure to install, maintain, and/or operate this machine according to the manufacturer's instructions may result in conditions which can produce bodily injury and/or property damage.



# CAUTION

Label all wires prior to disconnection when servicing controls. Wiring errors can cause improper and dangerous operation. Verify proper operation after servicing.



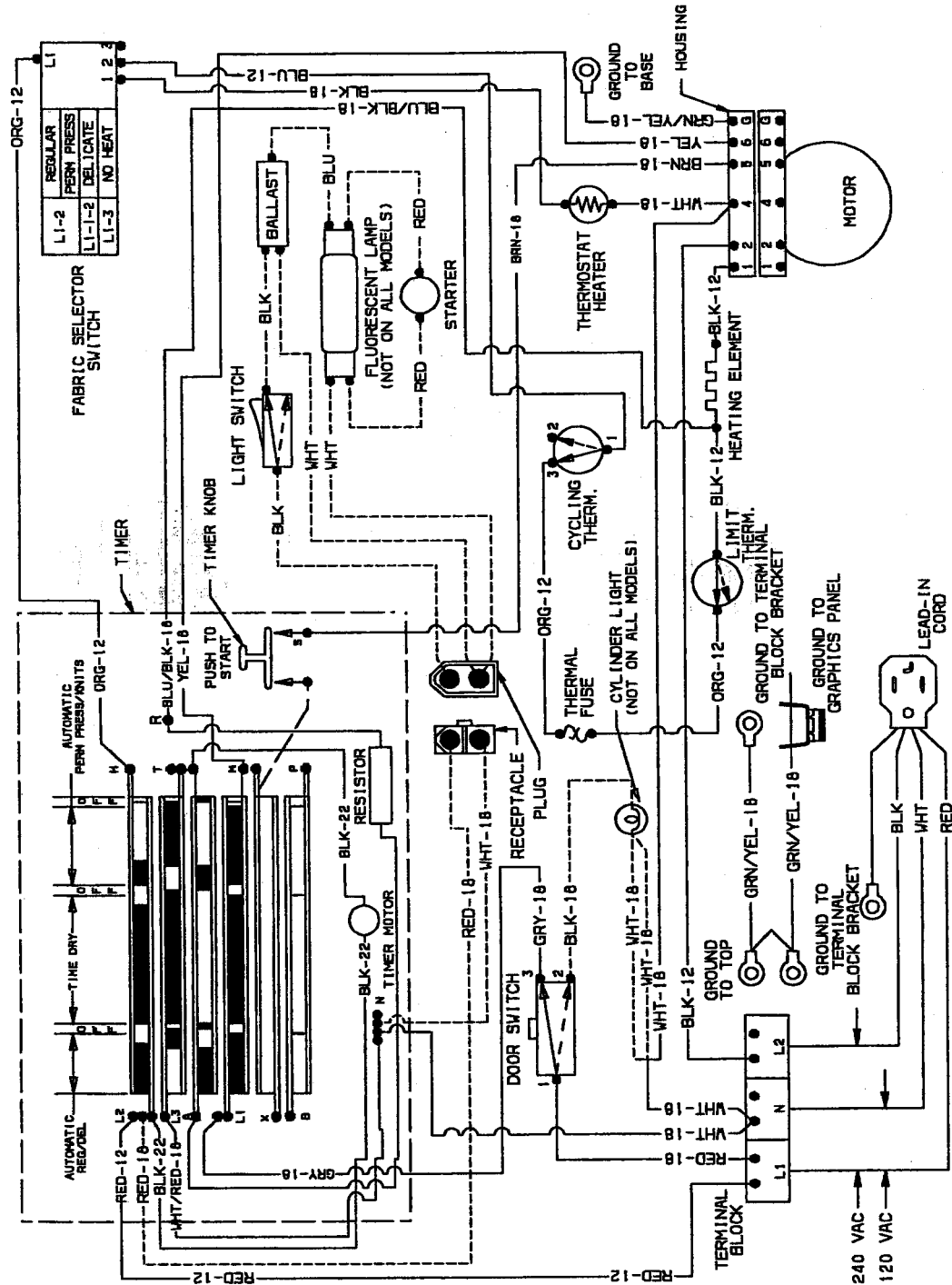
Model LEC10A+ Schematic Diagram

# ⚠ WARNING

Failure to install, maintain, and/or operate this machine according to the manufacturer's instructions may result in conditions which can produce bodily injury and/or property damage.

# ⚠ CAUTION

Label all wires prior to disconnection when servicing controls. Wiring errors can cause improper and dangerous operation. Verify proper operation after servicing.



Part number: 504894

Model LEC20A\* Connection Diagram



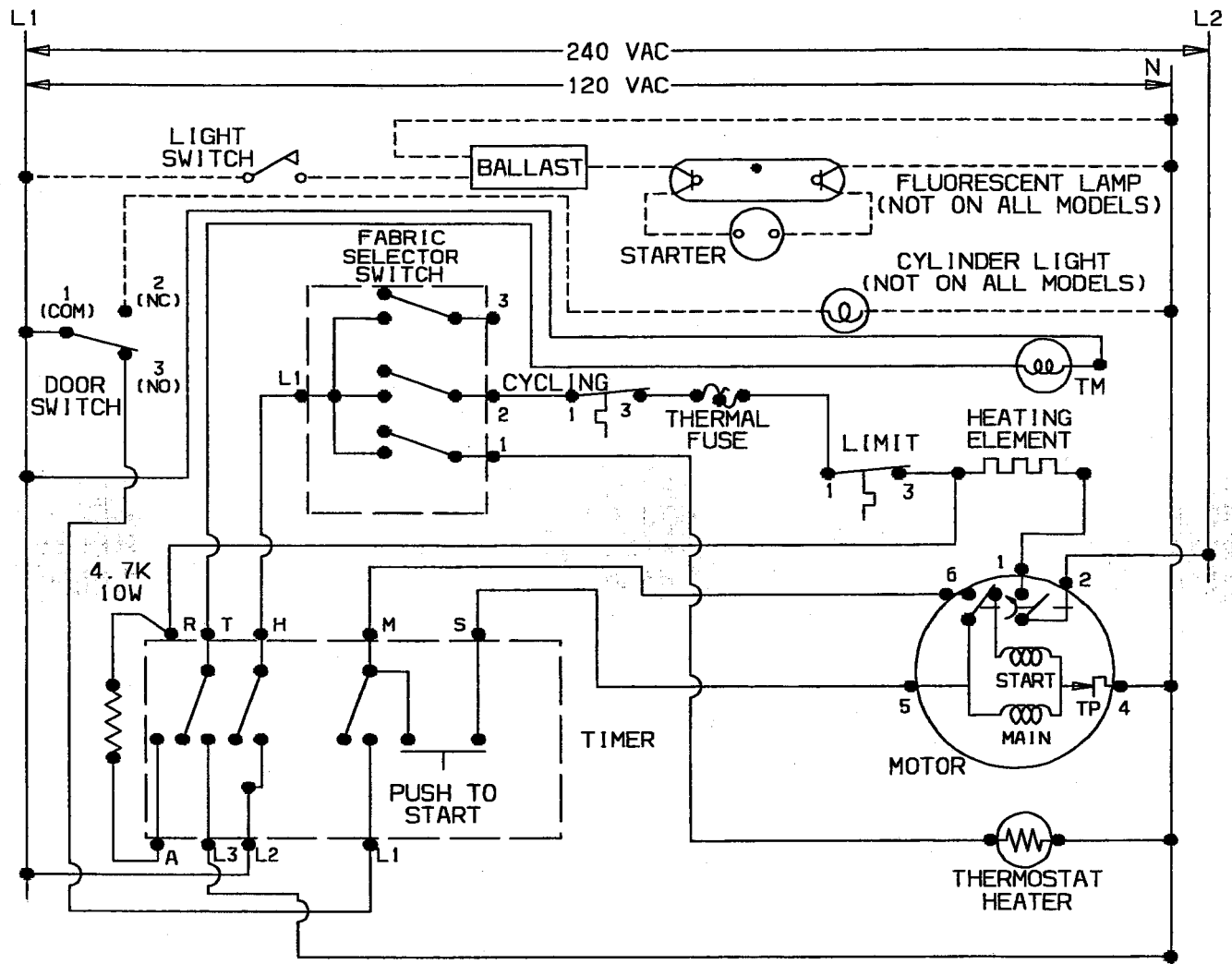
# WARNING

Failure to install, maintain, and/or operate this machine according to the manufacturer's instructions may result in conditions which can produce bodily injury and/or property damage.



# CAUTION

Label all wires prior to disconnection when servicing controls. Wiring errors can cause improper and dangerous operation. Verify proper operation after servicing.



Model LEC20A\* Schematic Diagram

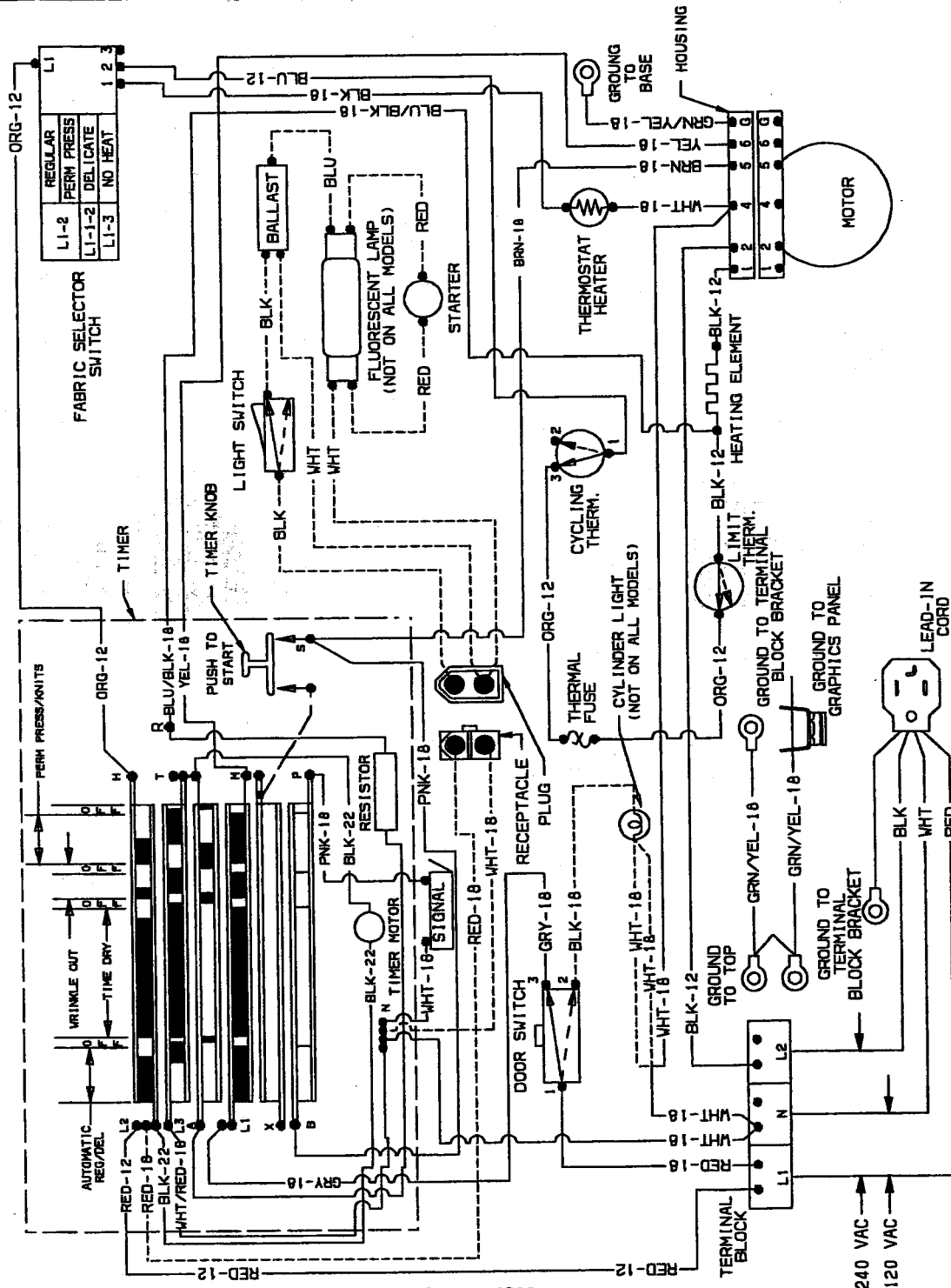


# ⚠ WARNING

Failure to install, maintain, and/or operate this machine according to the manufacturer's instructions may result in conditions which can produce bodily injury and/or property damage.

# ⚠ CAUTION

Label all wires prior to disconnection when servicing controls. Wiring errors can cause improper and dangerous operation. Verify proper operation after servicing.



Part number: 504892

**Model LEC30A+ Connection Diagram**



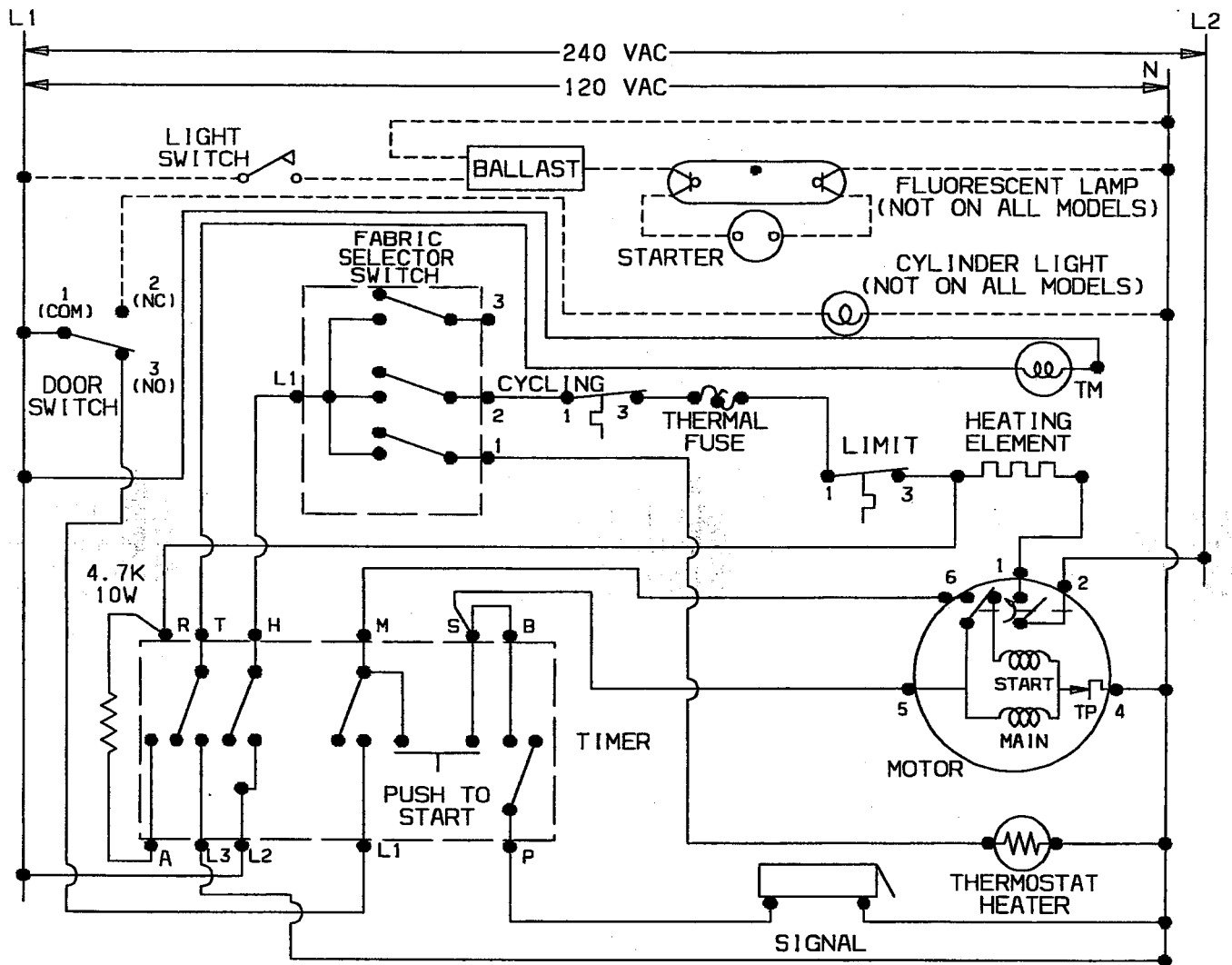
# WARNING

Failure to install, maintain, and/or operate this machine according to the manufacturer's instructions may result in conditions which can produce bodily injury and/or property damage.



# CAUTION

Label all wires prior to disconnection when servicing controls. Wiring errors can cause improper and dangerous operation. Verify proper operation after servicing.



Model LEC30A\* Schematic Diagram



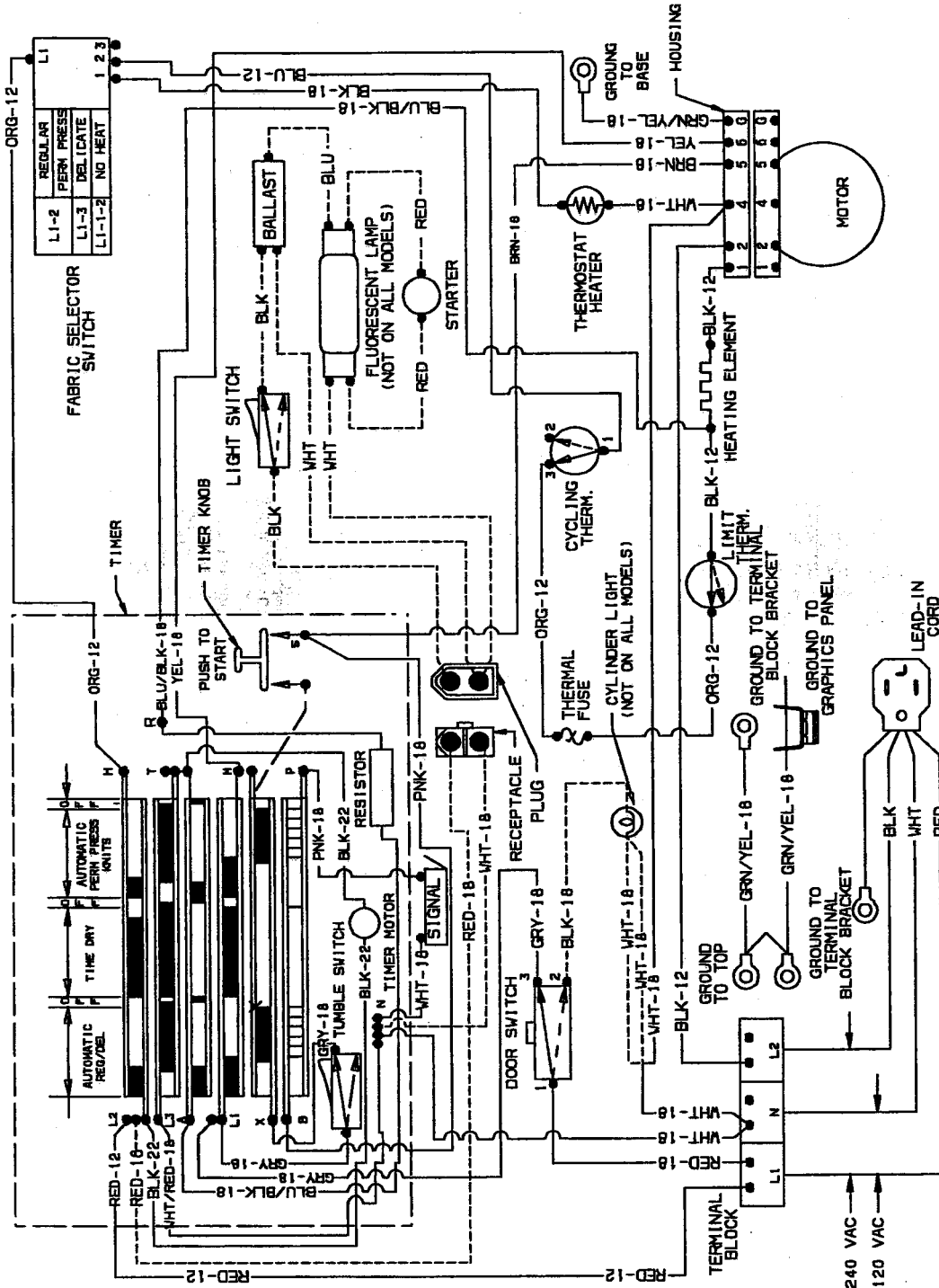
# WARNING

Failure to install, maintain, and/or operate this machine according to the manufacturer's instructions may result in conditions which can produce bodily injury and/or property damage.



# CAUTION

Label all wires prior to disconnection when servicing controls. Wiring errors can cause improper and dangerous operation. Verify proper operation after servicing.



Part number: 504895

Model LEC32A\* Connection Diagram



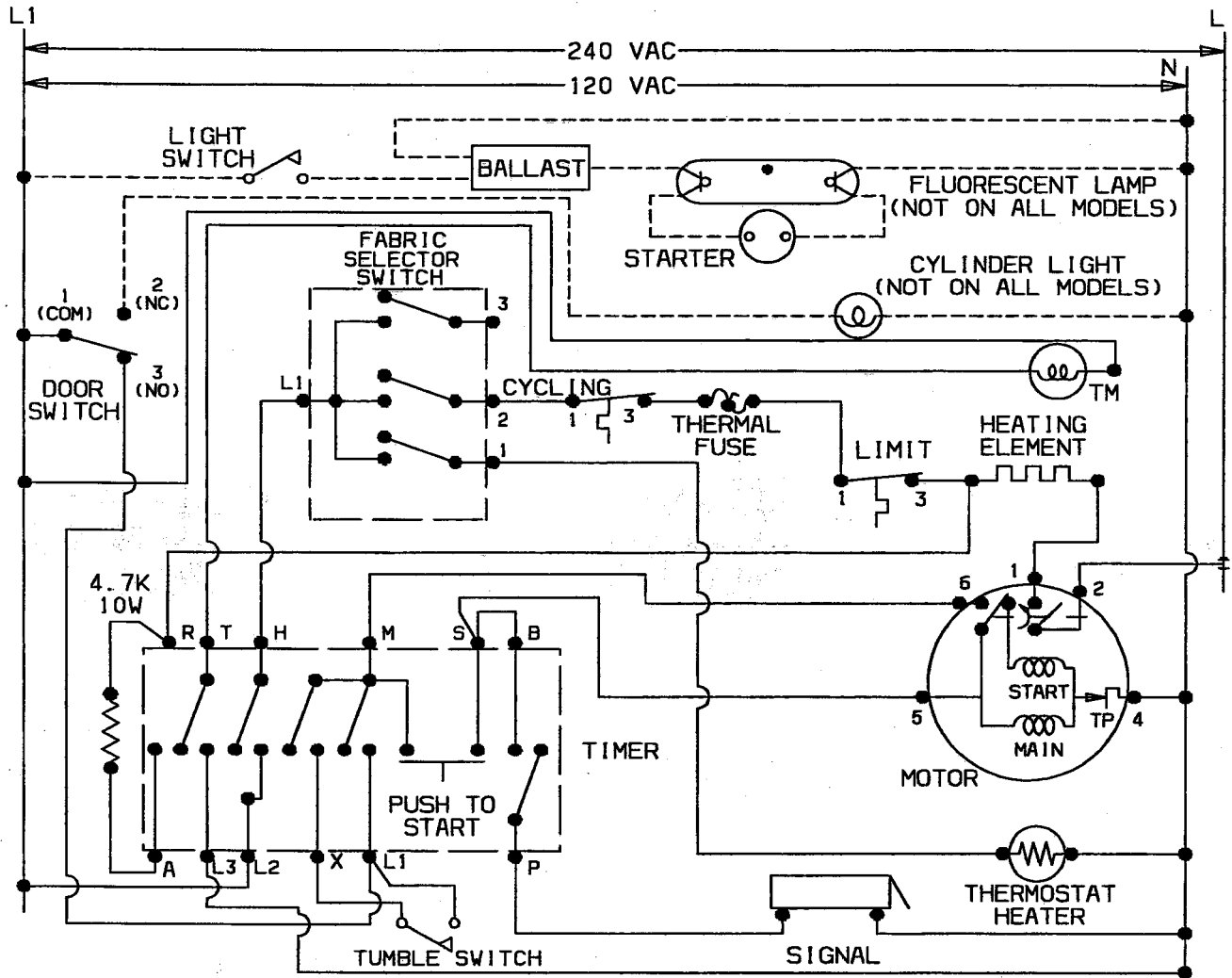
# WARNING

Failure to install, maintain, and/or operate this machine according to the manufacturer's instructions may result in conditions which can produce bodily injury and/or property damage.



# CAUTION

Label all wires prior to disconnection when servicing controls. Wiring errors can cause improper and dangerous operation. Verify proper operation after servicing.



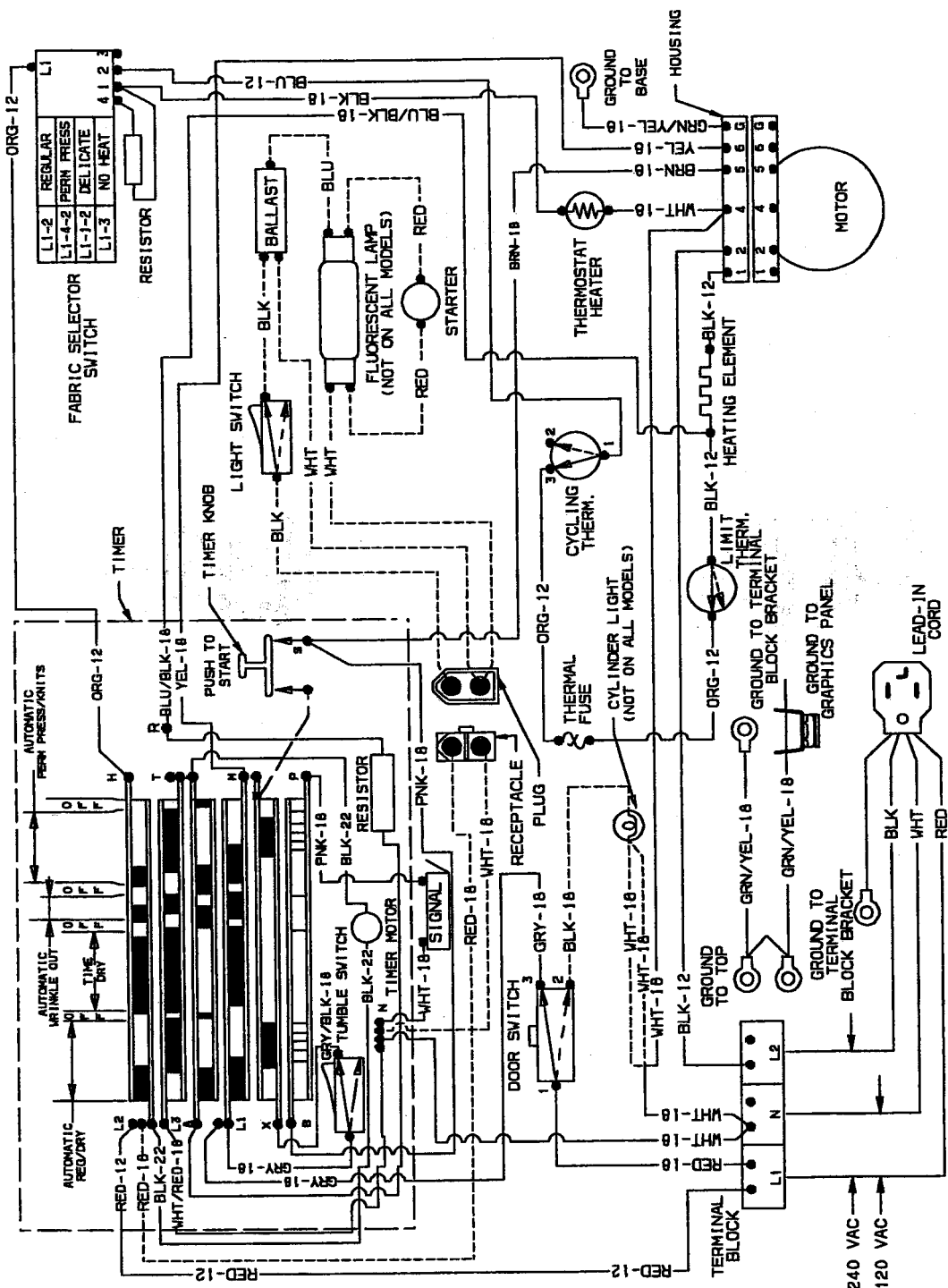
Model LEC32A\* Schematic Diagram

# ⚠ WARNING

Failure to install, maintain, and/or operate this machine according to the manufacturer's instructions may result in conditions which can produce bodily injury and/or property damage.

# ⚠ CAUTION

Label all wires prior to disconnection when servicing controls. Wiring errors can cause improper and dangerous operation. Verify proper operation after servicing.



Part number: 504893

**Models LEC50A\* and LEC60A\* Connection Diagram**



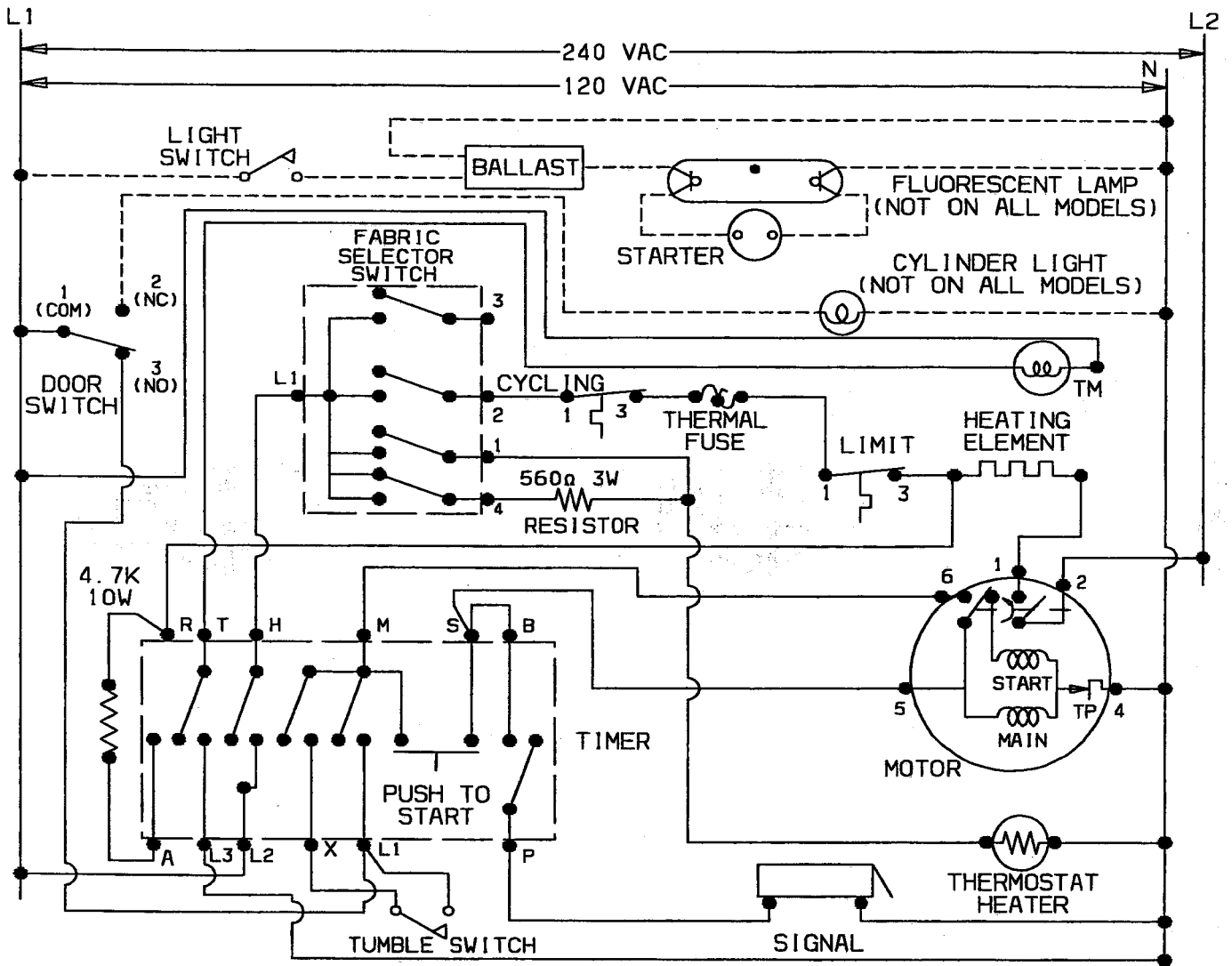
# WARNING

Failure to install, maintain, and/or operate this machine according to the manufacturer's instructions may result in conditions which can produce bodily injury and/or property damage.



# CAUTION

Label all wires prior to disconnection when servicing controls. Wiring errors can cause improper and dangerous operation. Verify proper operation after servicing.



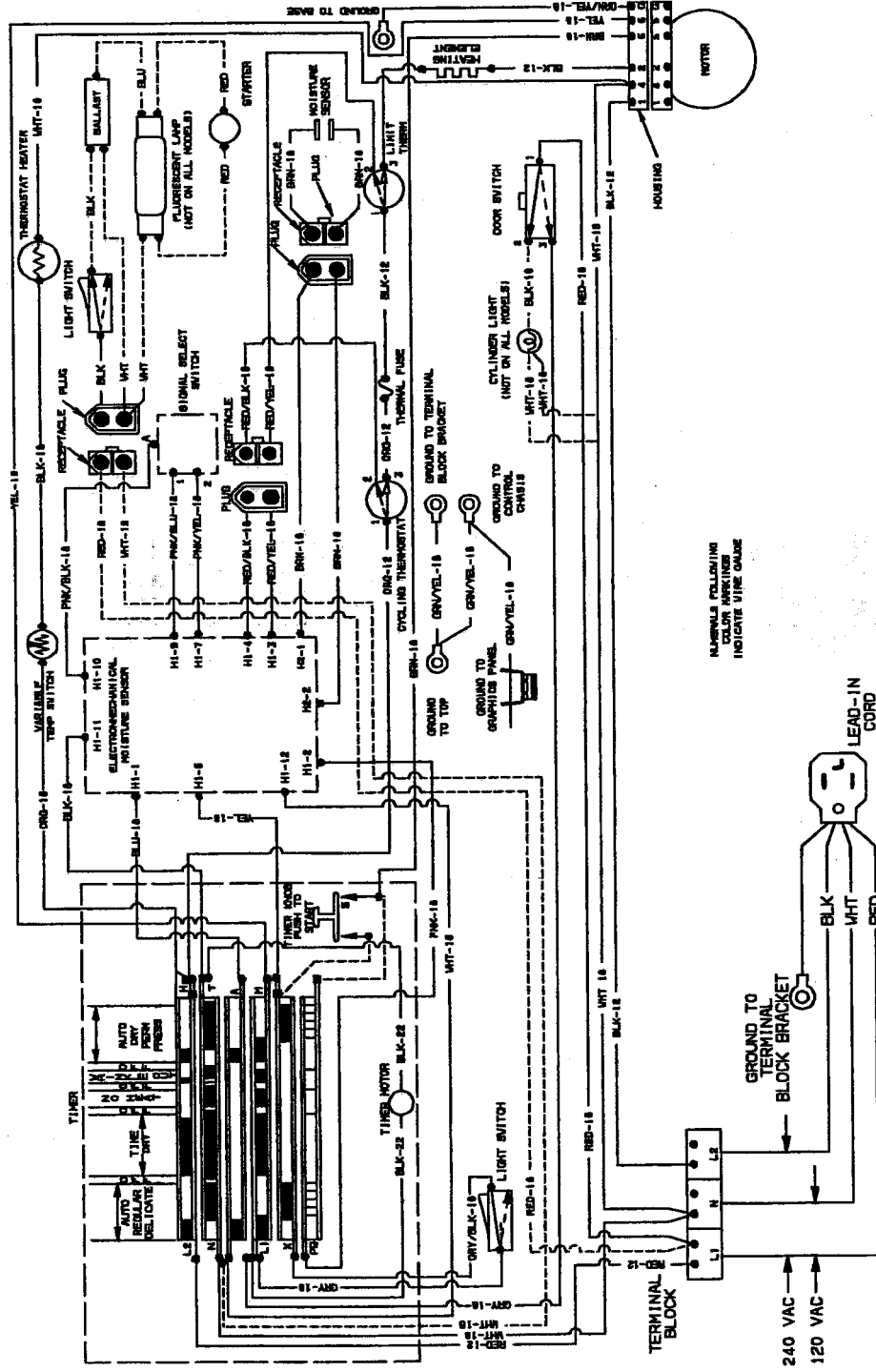
Models LEC50A\* and LEC60A\* Schematic Diagram

# WARNING

Failure to install, maintain, and/or operate this machine according to the manufacturer's instructions may result in conditions which can produce bodily injury and/or property damage.

# CAUTION

Label all wires prior to disconnection when servicing controls. Wiring errors can cause improper and dangerous operation. Verify proper operation after servicing.



MARKINGS FOLLOWING COLOR MARKINGS INDICATE WIRE COLOR

Part number: 504896

Model LEC80A\* Connection Diagram



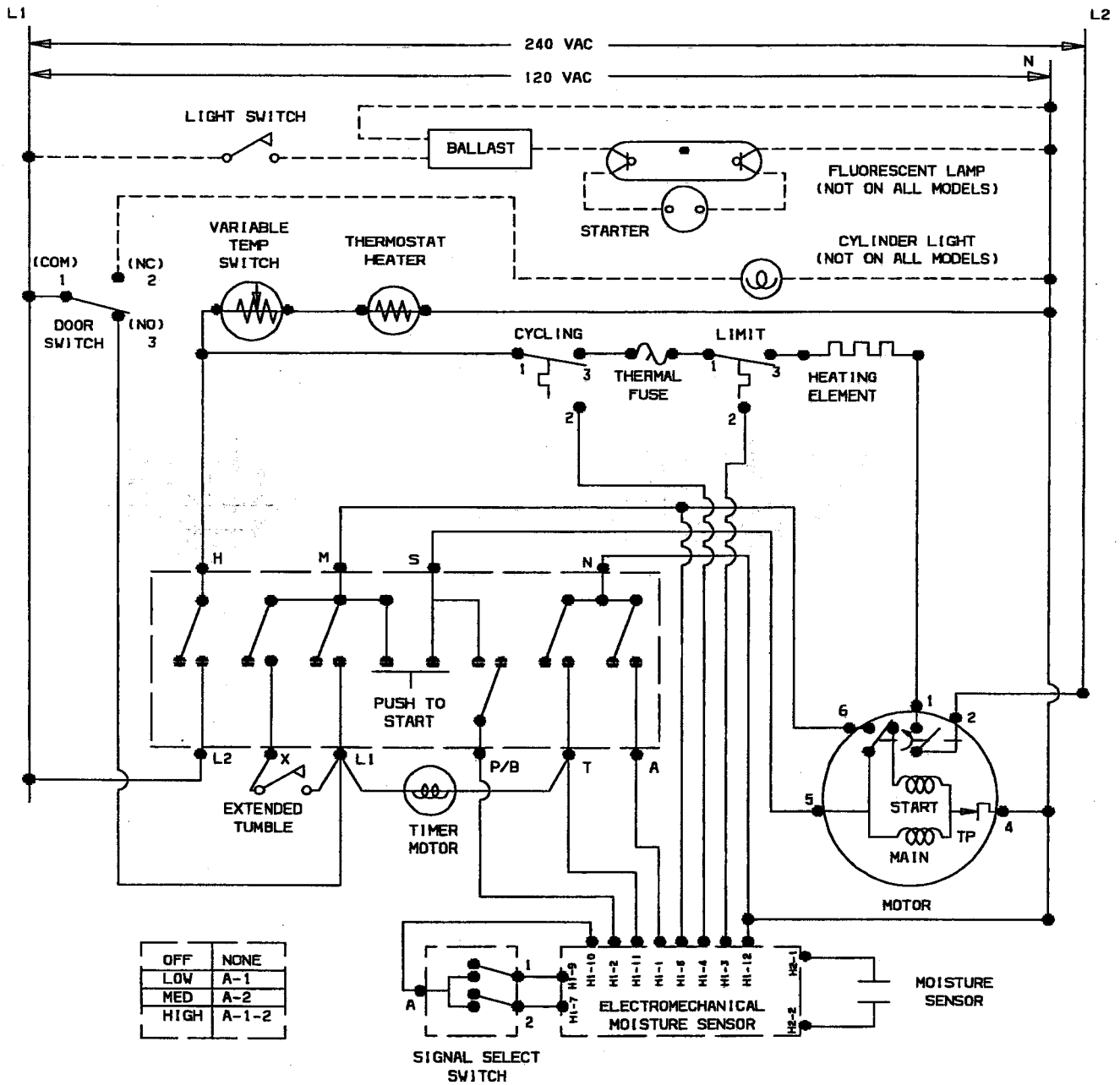
# WARNING

Failure to install, maintain, and/or operate this machine according to the manufacturer's instructions may result in conditions which can produce bodily injury and/or property damage.



# CAUTION

Label all wires prior to disconnection when servicing controls. Wiring errors can cause improper and dangerous operation. Verify proper operation after servicing.



Model LEC80A\* Schematic Diagram





## WARNING

Failure to install, maintain, and/or operate this machine according to the manufacturer's instructions may result in conditions which can produce bodily injury and/or property damage.



## CAUTION

Label all wires prior to disconnection when servicing controls. Wiring errors can cause improper and dangerous operation. Verify proper operation after servicing.

# SELF-DIAGNOSTIC ROUTINE

ENTRY: FOLLOW THE SEQUENCE GIVEN BELOW

1. MAKE SURE DRYER DOOR IS CLOSED.
2. START IN THE SLEEP MODE (DISPLAY COMPLETELY OFF).
3. PRESS THE SIGNAL PAD AND HOLD.
4. NOW PRESS THE START PAD.
5. RELEASE BOTH PADS.
6. IF UNABLE TO START ROUTINE CHECK DOOR SWITCH.

EXIT: DO ANY OF THE FOLLOWING.

1. PRESS ANY PAD.
2. OPEN DRYER DOOR.
3. UNPLUG THE DRYER.

TIME DISPLAY	ILLUMINATED L.E.D./V.F.D.	MOTOR RELAY	HEAT RELAY	SIGNAL
11	ALL ON	ON	OFF	OFF
22	ALL OFF	ON	ON	OFF
33	ALL ON	ON	ON	OFF
44	ALL ON	ON	ON	OFF
55	ALL OFF	OFF	OFF	LOWEST
66	ALL ON	OFF	OFF	MEDIUM
77	ALL OFF	OFF	OFF	LOUDEST

1. THIS TEST ROUTINE WILL ONLY LIGHT THE LEDS PERTAINING TO THE HARDWARE MODEL SELECTED.
2. WHEN THE LAST STEP IN THE TABLE IS FINISHED THE ROUTINE SEQUENCE WILL REPEAT.
3. EACH OUTPUT IS ON FOR 5 SECONDS.

TEMPERATURE REGULATING CIRCUITRY ROUTINE: THIS ROUTINE WILL ALLOW A CHECK OF THE TEMPERATURE REGULATING CIRCUITRY. ONCE THIS ROUTINE IS ENTERED, THE CONTROL WILL DISPLAY A CODE IN THE 2-DIGIT VFD DISPLAY INDICATING A TEMPERATURE.

SEQUENCE TO ENTER TEMPERATURE REGULATING CIRCUIT ROUTINE

1. START IN THE SLEEP MODE (DISPLAY COMPLETELY OFF).
2. PRESS EXTENDED TUMBLE PAD AND HOLD.
3. NOW PRESS THE START PAD.
4. RELEASE BOTH PADS.
5. CONTROL NOW WILL DISPLAY THE AMBIENT TEMPERATURE OF THERMISTOR AS INDICATED IN THE TABLE BELOW.

DISPLAY	TEMP ( $\pm 5^{\circ}\text{F}$ )	DISPLAY	TEMP ( $\pm 5^{\circ}\text{F}$ )
0P	TEMPS < 10°F	00	100
50	50	10	110
60	60	20	120
70	70	30	130
80	80	SH	TEMPS > 170°F
90	90		

6. TO EXIT THIS ROUTINE PRESS ANY PAD OR UNPLUG THE MACHINE.

### Model LEC90A\* Self-Diagnostic Routine



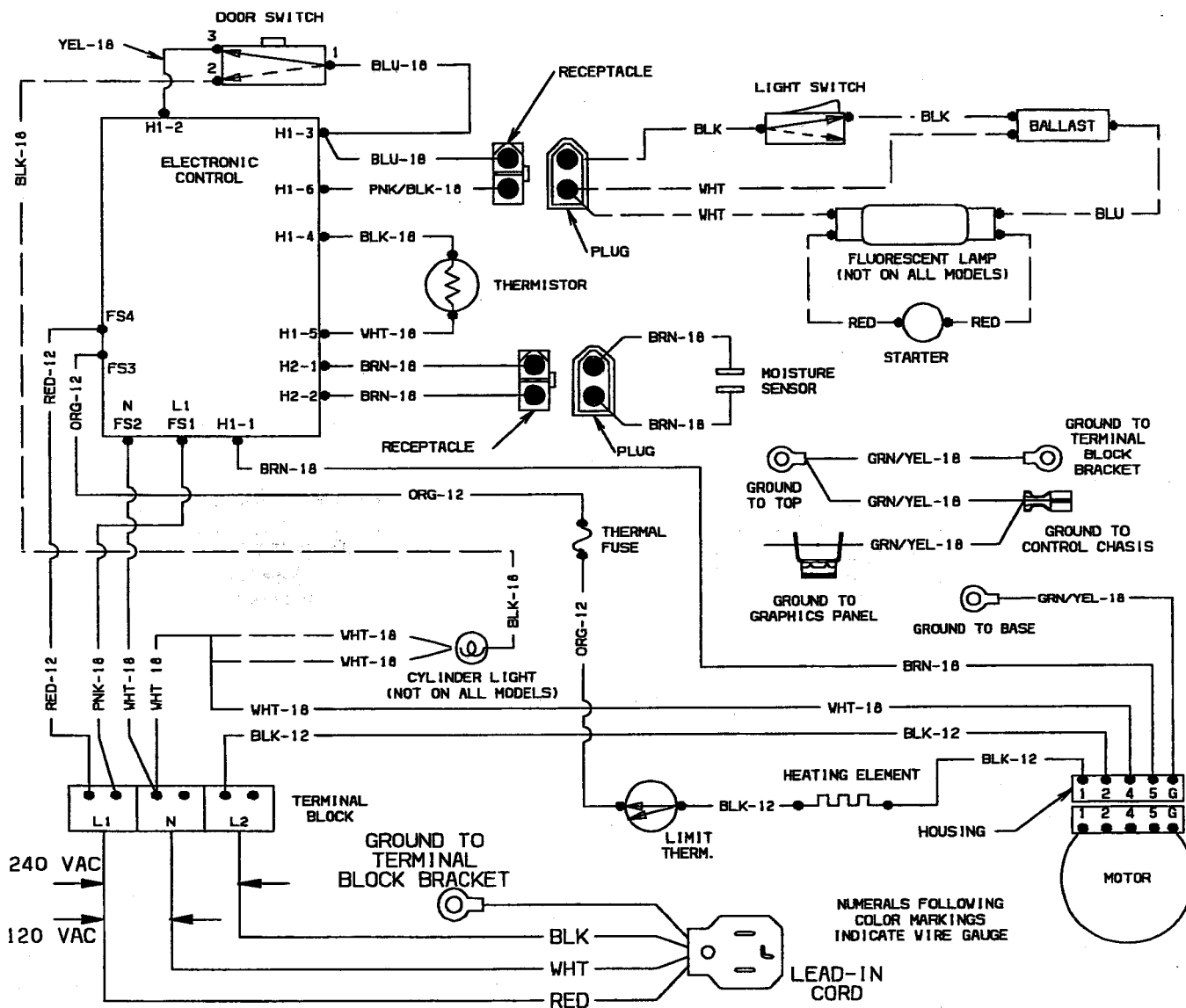
# WARNING

Failure to install, maintain, and/or operate this machine according to the manufacturer's instructions may result in conditions which can produce bodily injury and/or property damage.



# CAUTION

Label all wires prior to disconnection when servicing controls. Wiring errors can cause improper and dangerous operation. Verify proper operation after servicing.



Part number: 504897

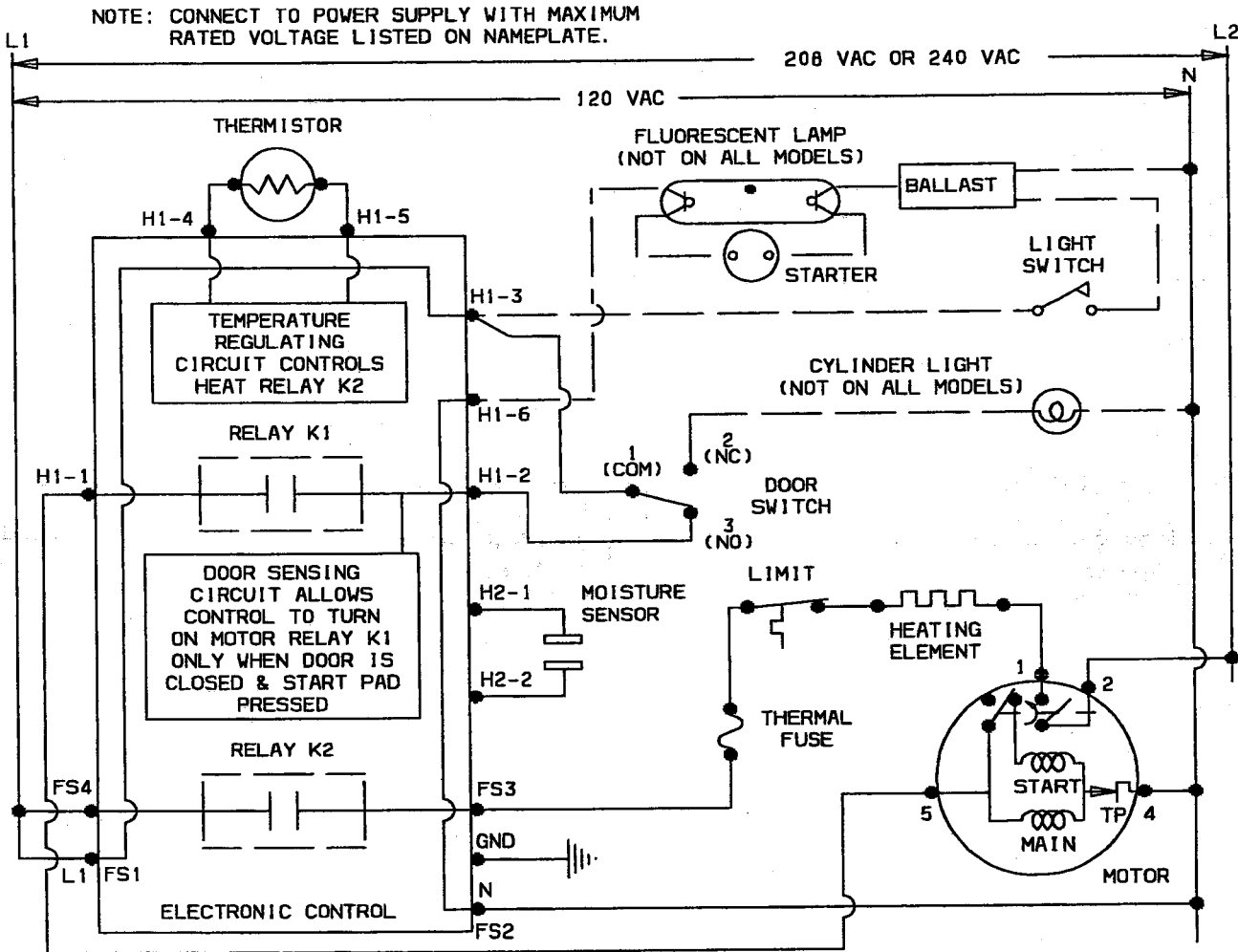
Model LEC90A\* Connection Diagram

# WARNING

Failure to install, maintain, and/or operate this machine according to the manufacturer's instructions may result in conditions which can produce bodily injury and/or property damage.

# CAUTION

Label all wires prior to disconnection when servicing controls. Wiring errors can cause improper and dangerous operation. Verify proper operation after servicing.



Model LEC90A\* Schematic Diagram



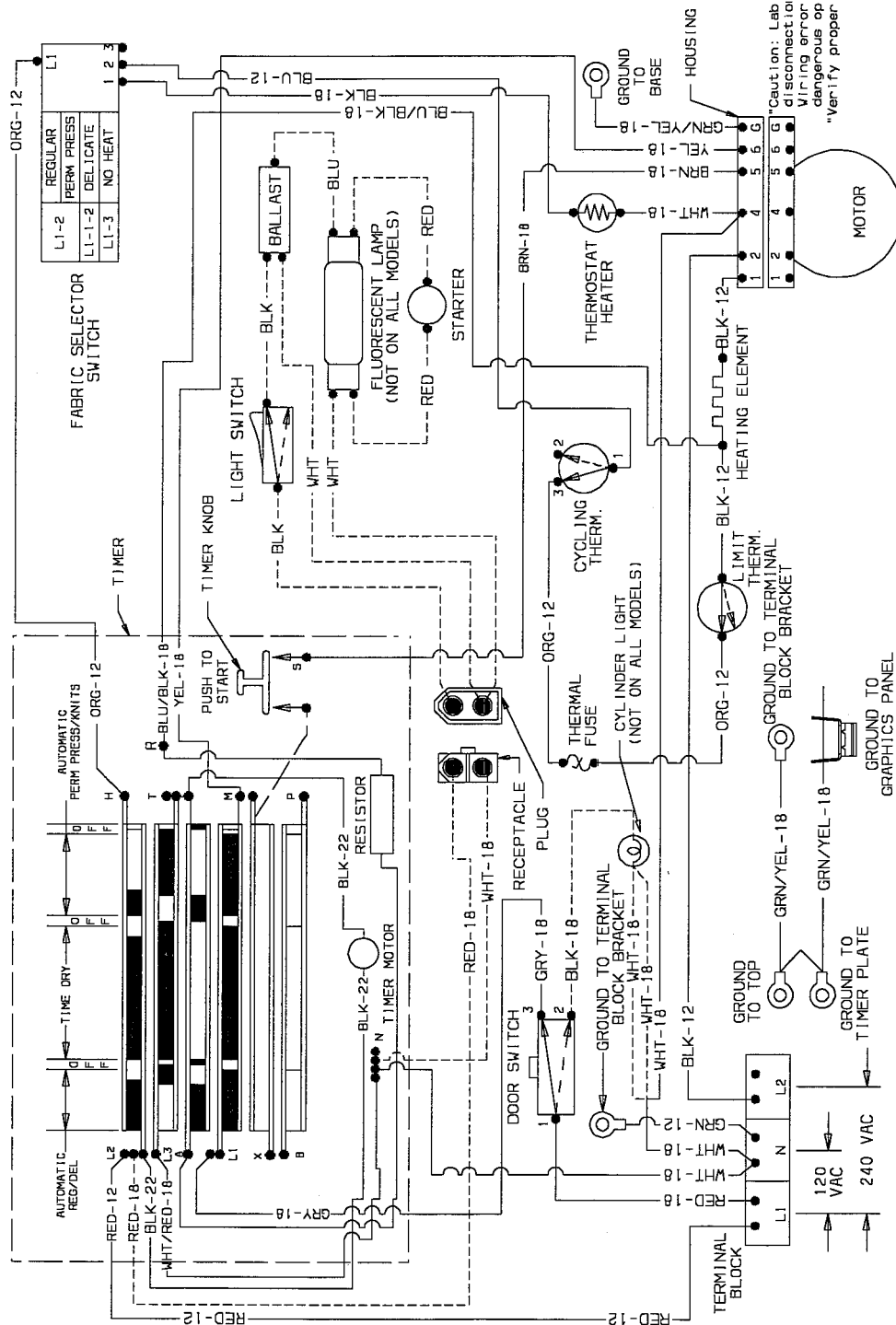
# WARNING

Failure to install, maintain, and/or operate this machine according to the manufacturer's instructions may result in conditions which can produce bodily injury and/or property damage.



# CAUTION

Label all wires prior to disconnection when servicing controls. Wiring errors can cause improper and dangerous operation. Verify proper operation after servicing.



Part number: 503944R1

Model LEA20A\*, LED20A\* Connection Diagram



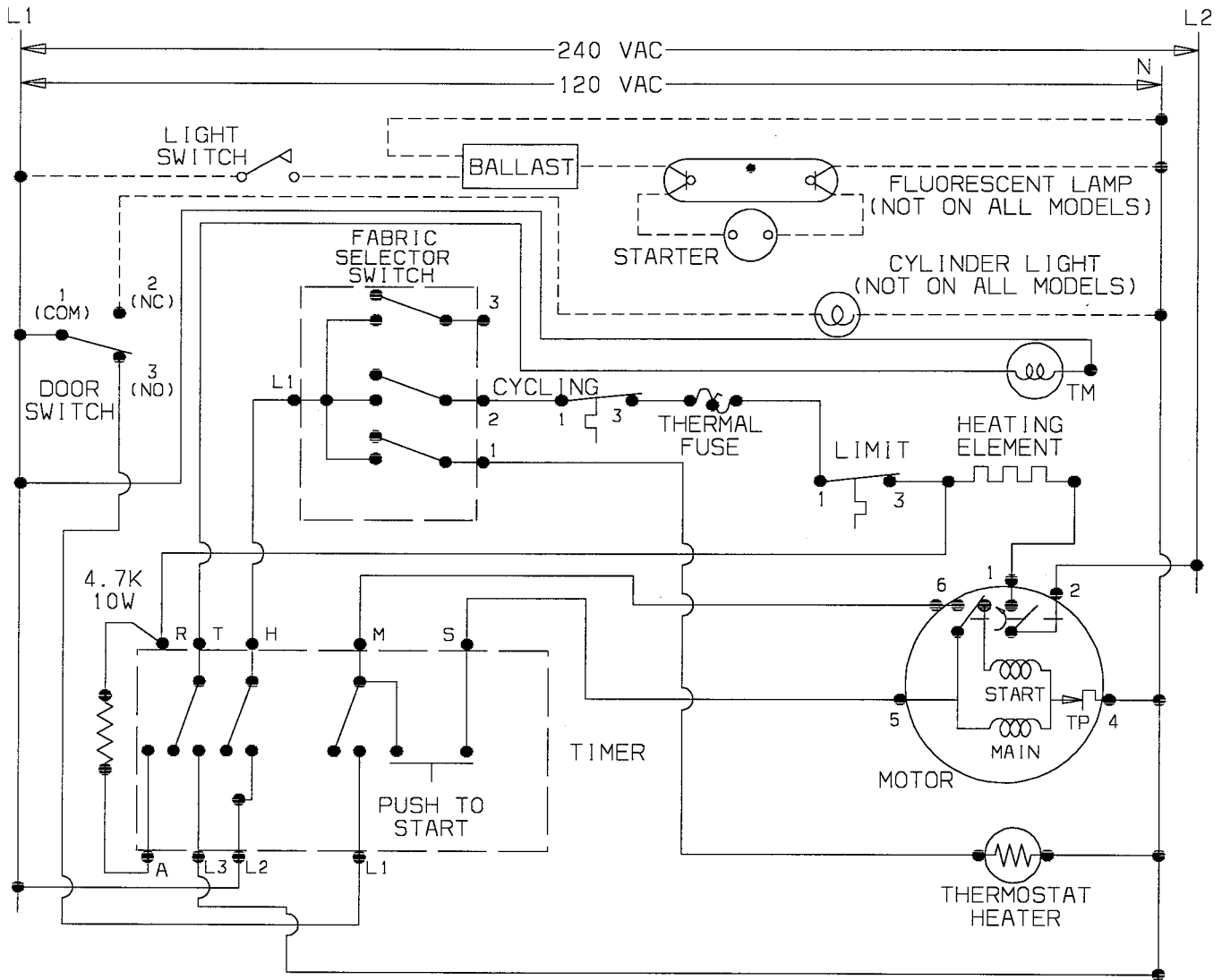
# WARNING

Failure to install, maintain, and/or operate this machine according to the manufacturer's instructions may result in conditions which can produce bodily injury and/or property damage.



# CAUTION

Label all wires prior to disconnection when servicing controls. Wiring errors can cause improper and dangerous operation. Verify proper operation after servicing.



Model LEA20A\*, LED20A\* Schematic Diagram



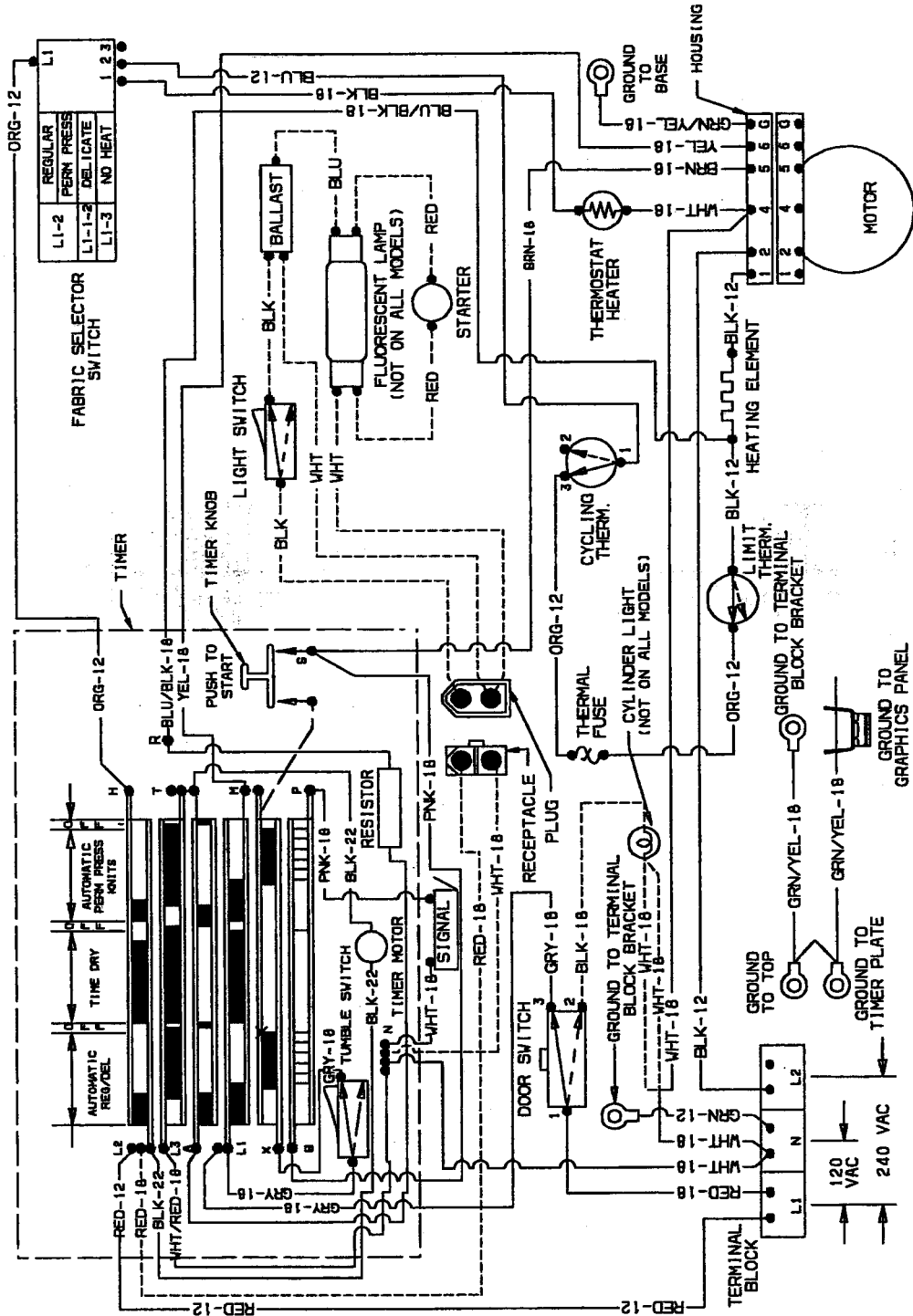
# WARNING

Failure to install, maintain, and/or operate this machine according to the manufacturer's instructions may result in conditions which can produce bodily injury and/or property damage.



# CAUTION

Label all wires prior to disconnection when servicing controls. Wiring errors can cause improper and dangerous operation. Verify proper operation after servicing.



Part number: 503940R1

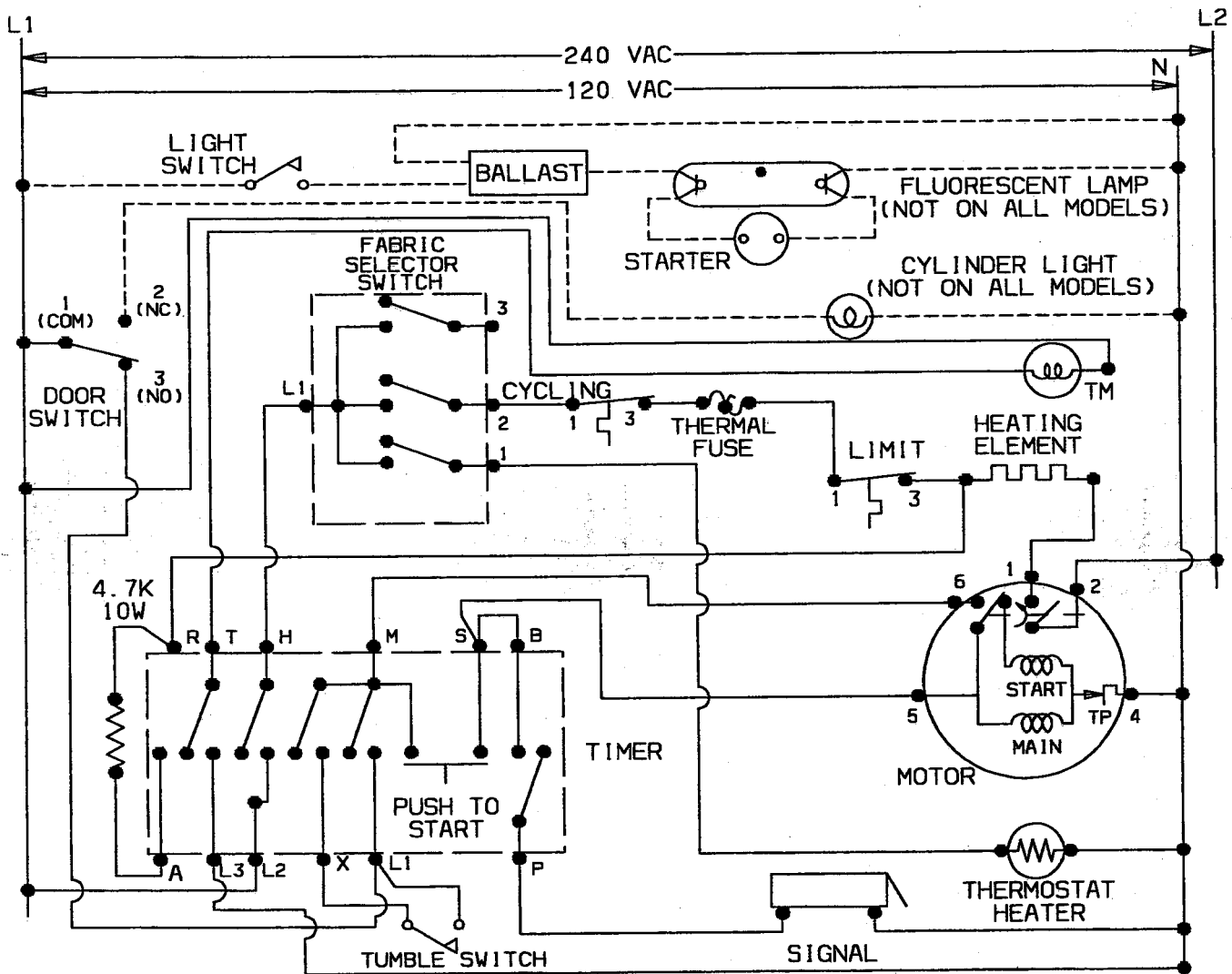
Model LED32A\* Connection Diagram

# WARNING

Failure to install, maintain, and/or operate this machine according to the manufacturer's instructions may result in conditions which can produce bodily injury and/or property damage.

# CAUTION

Label all wires prior to disconnection when servicing controls. Wiring errors can cause improper and dangerous operation. Verify proper operation after servicing.



Model LED32A\* Schematic Diagram



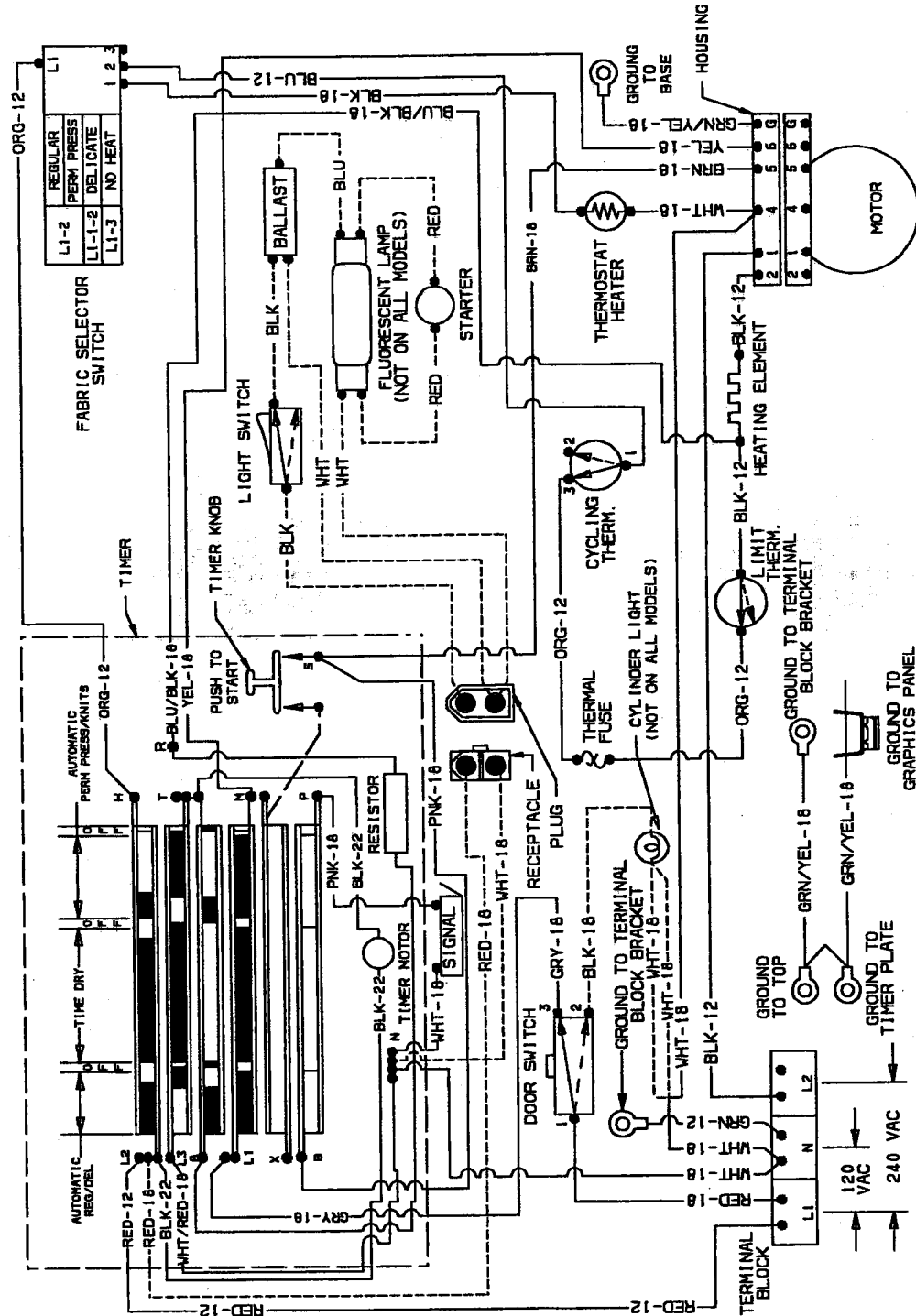
# WARNING

Failure to install, maintain, and/or operate this machine according to the manufacturer's instructions may result in conditions which can produce bodily injury and/or property damage.



# CAUTION

Label all wires prior to disconnection when servicing controls. Wiring errors can cause improper and dangerous operation. Verify proper operation after servicing.



Model LED57A\* Connection Diagram

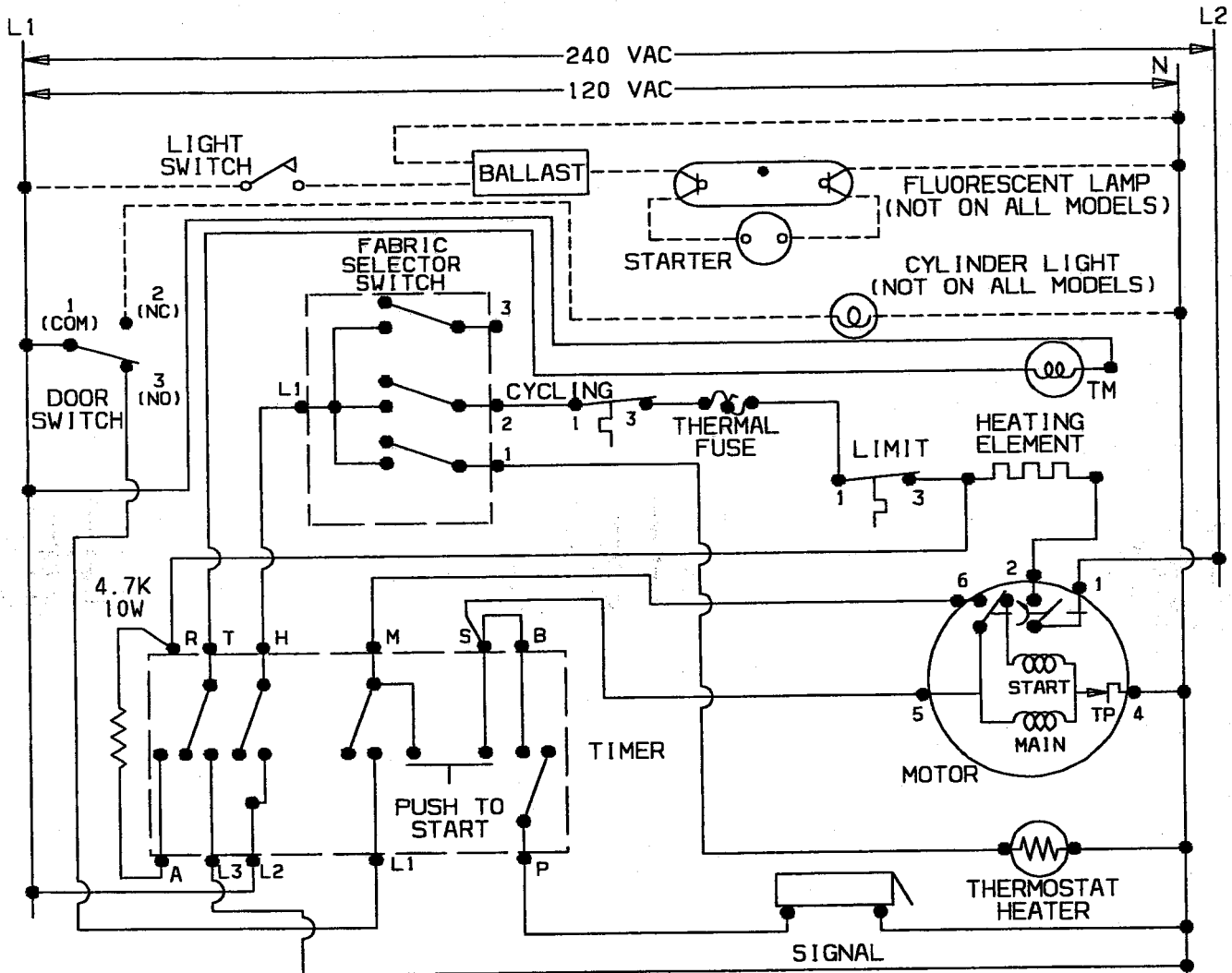


# WARNING

Failure to install, maintain, and/or operate this machine according to the manufacturer's instructions may result in conditions which can produce bodily injury and/or property damage.

# CAUTION

Label all wires prior to disconnection when servicing controls. Wiring errors can cause improper and dangerous operation. Verify proper operation after servicing.



Model LED57A\* Schematic Diagram



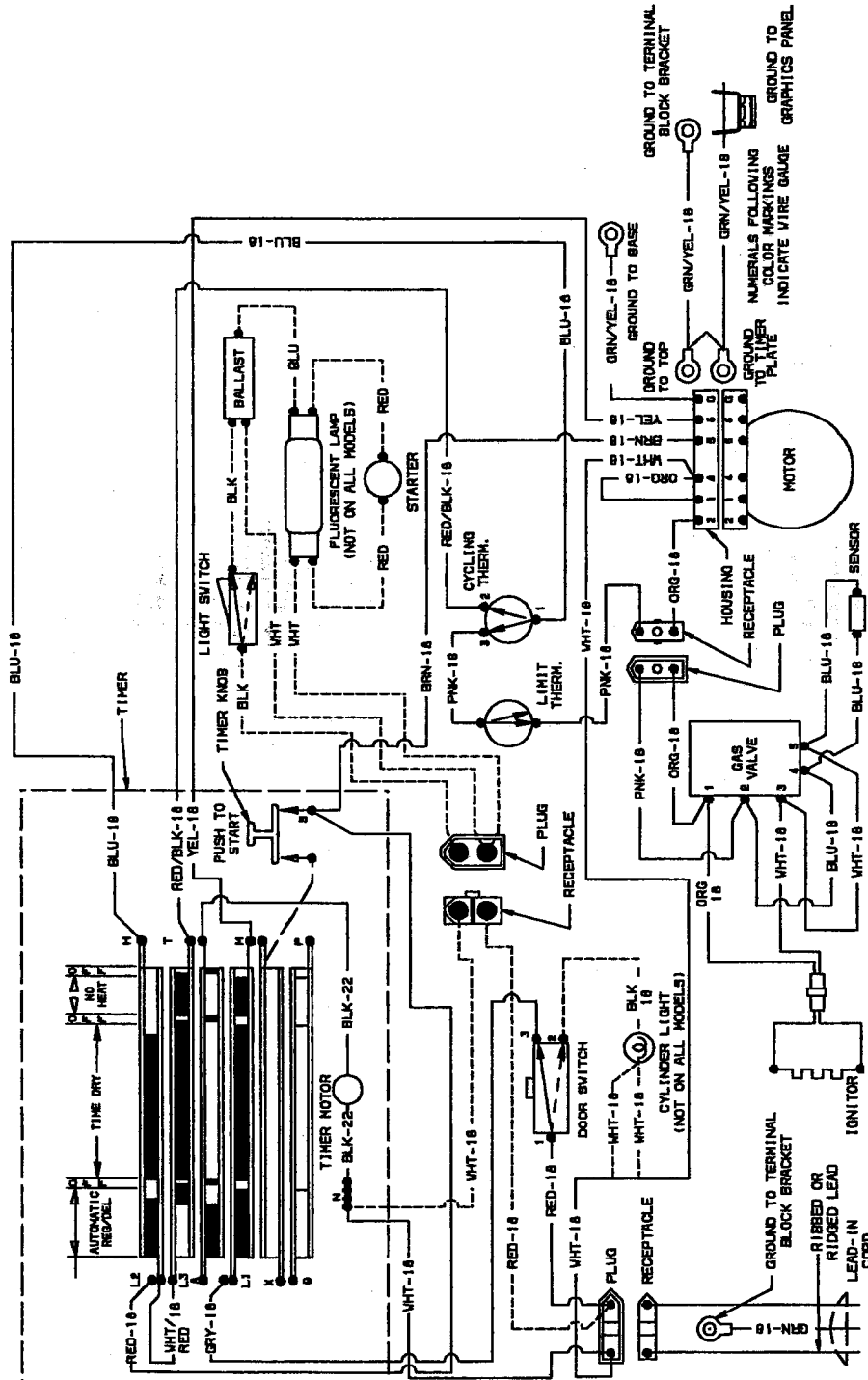
# WARNING

Failure to install, maintain, and/or operate this machine according to the manufacturer's instructions may result in conditions which can produce bodily injury and/or property damage.



# CAUTION

Label all wires prior to disconnection when servicing controls. Wiring errors can cause improper and dangerous operation. Verify proper operation after servicing.



Part number: 503947R1

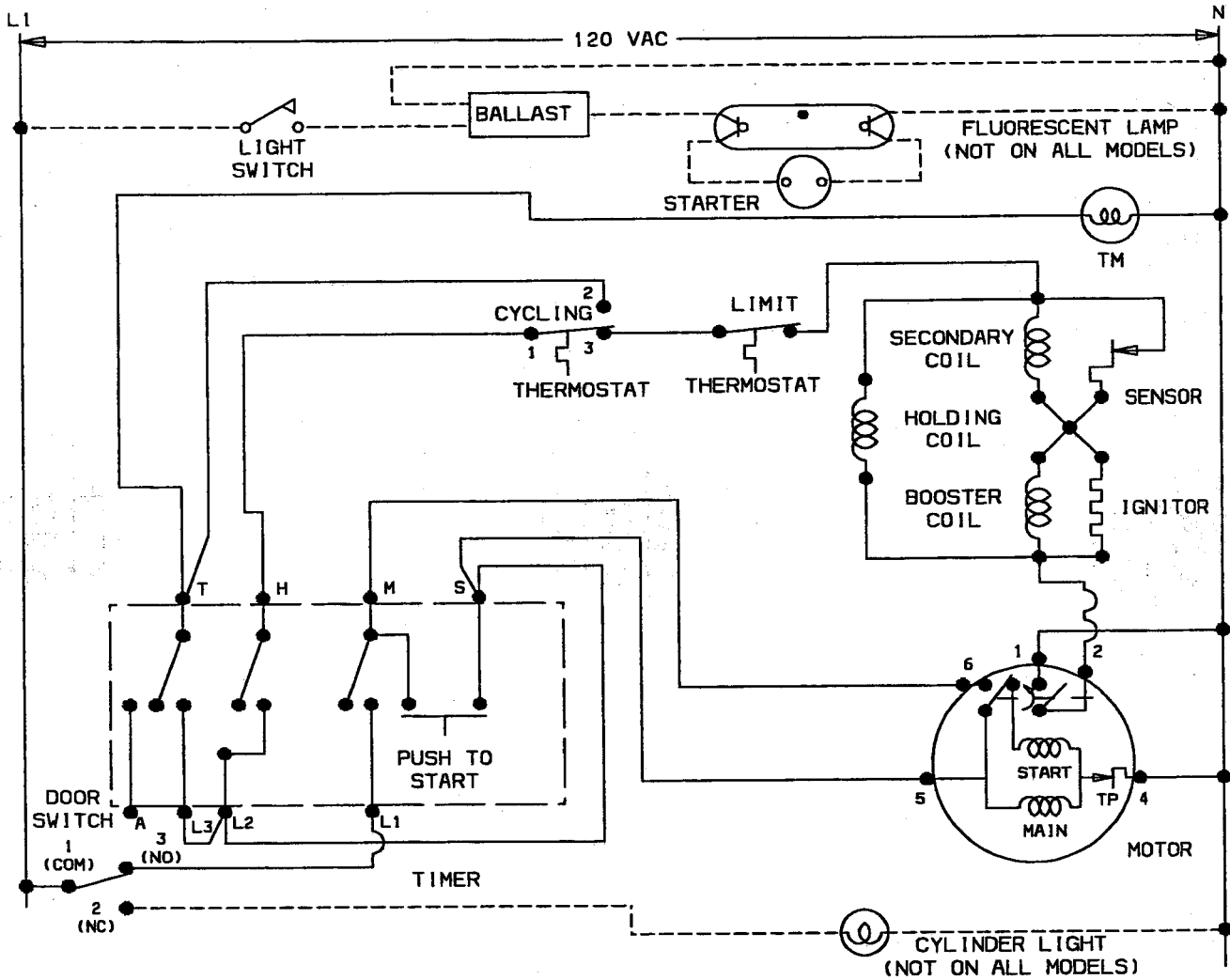
Model LGA10A\* Connection Diagram

**WARNING**

Failure to install, maintain, and/or operate this machine according to the manufacturer's instructions may result in conditions which can produce bodily injury and/or property damage.

**CAUTION**

Label all wires prior to disconnection when servicing controls. Wiring errors can cause improper and dangerous operation. Verify proper operation after servicing.



Model LGA10A\* Schematic Diagram



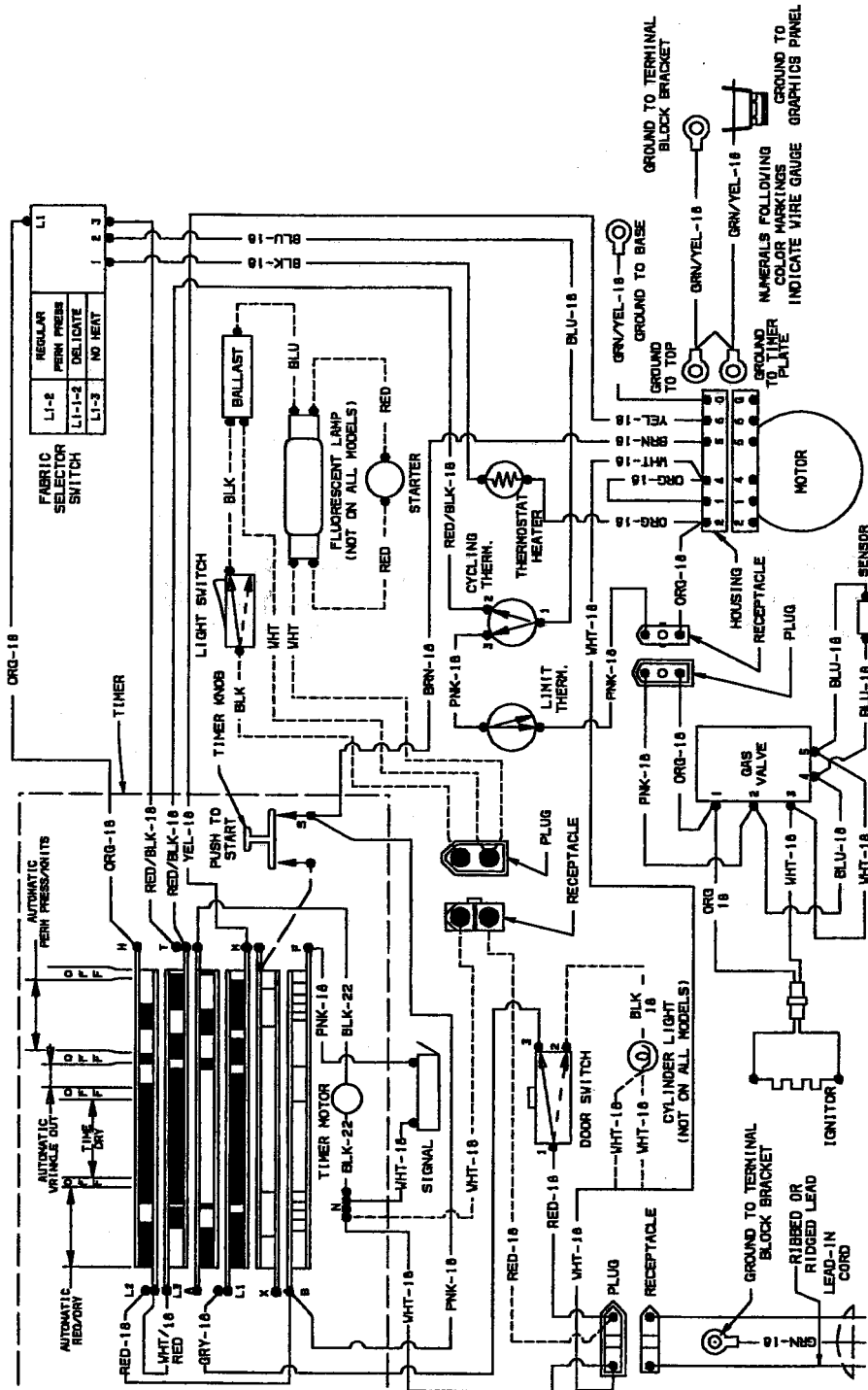
# WARNING

Failure to install, maintain, and/or operate this machine according to the manufacturer's instructions may result in conditions which can produce bodily injury and/or property damage.



# CAUTION

Label all wires prior to disconnection when servicing controls. Wiring errors can cause improper and dangerous operation. Verify proper operation after servicing.



Part number: 503943

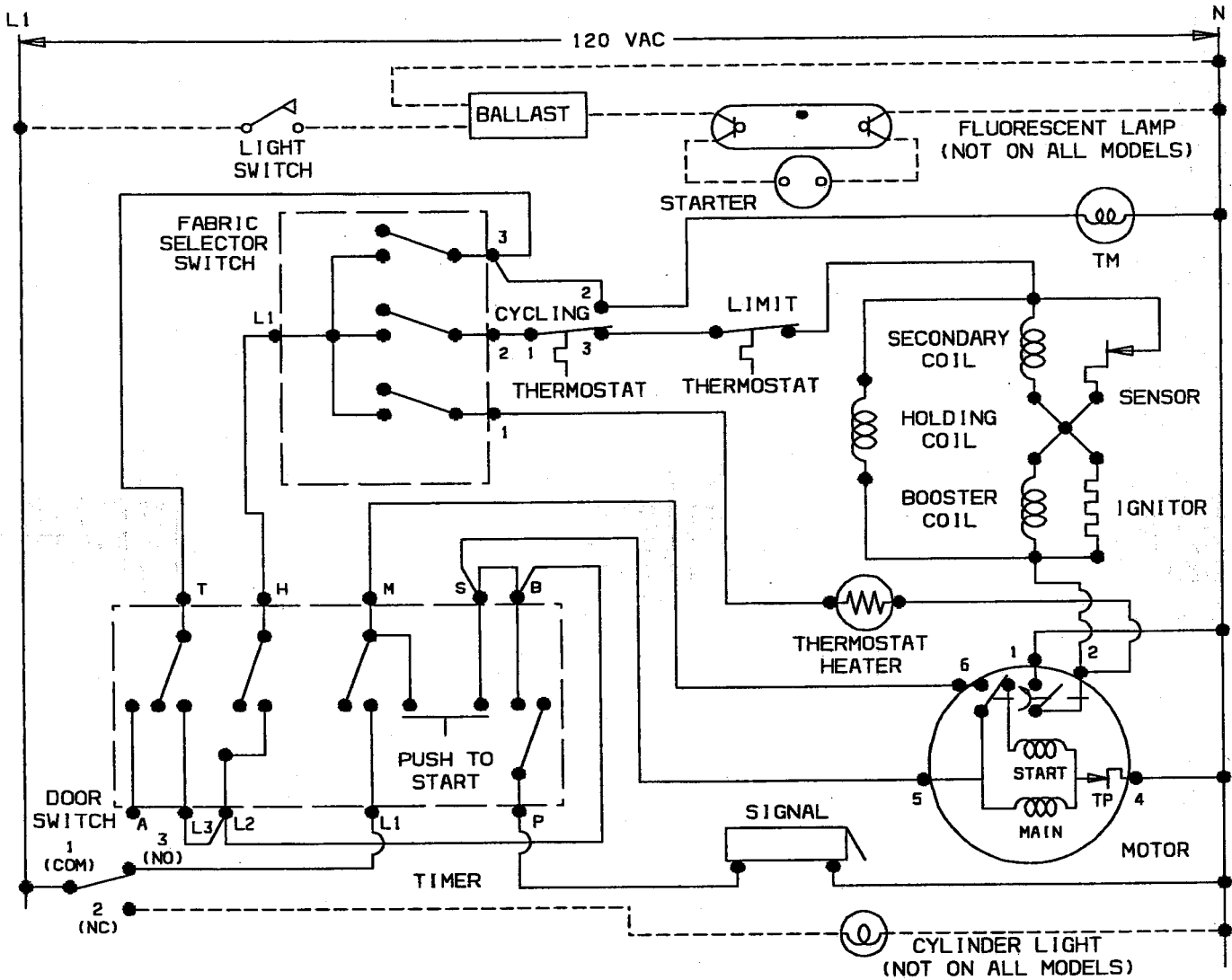
Model LGA30A+ Connection Diagram

# ⚠ WARNING

Failure to install, maintain, and/or operate this machine according to the manufacturer's instructions may result in conditions which can produce bodily injury and/or property damage.

# ⚠ CAUTION

Label all wires prior to disconnection when servicing controls. Wiring errors can cause improper and dangerous operation. Verify proper operation after servicing.



**Model LGA30A\* Schematic Diagram**



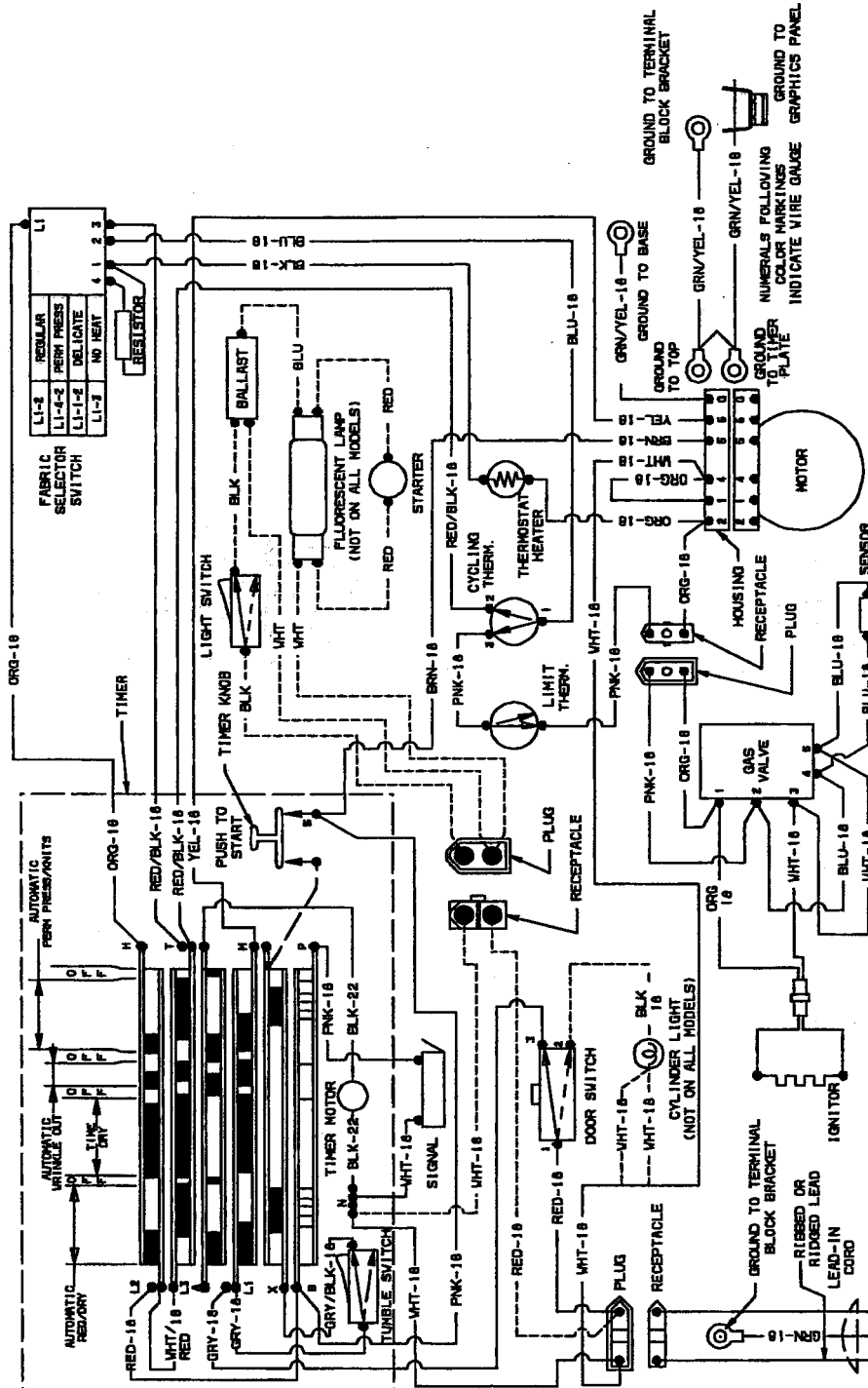
# WARNING

Failure to install, maintain, and/or operate this machine according to the manufacturer's instructions may result in conditions which can produce bodily injury and/or property damage.



# CAUTION

Label all wires prior to disconnection when servicing controls. Wiring errors can cause improper and dangerous operation. Verify proper operation after servicing.



Part number: 503935

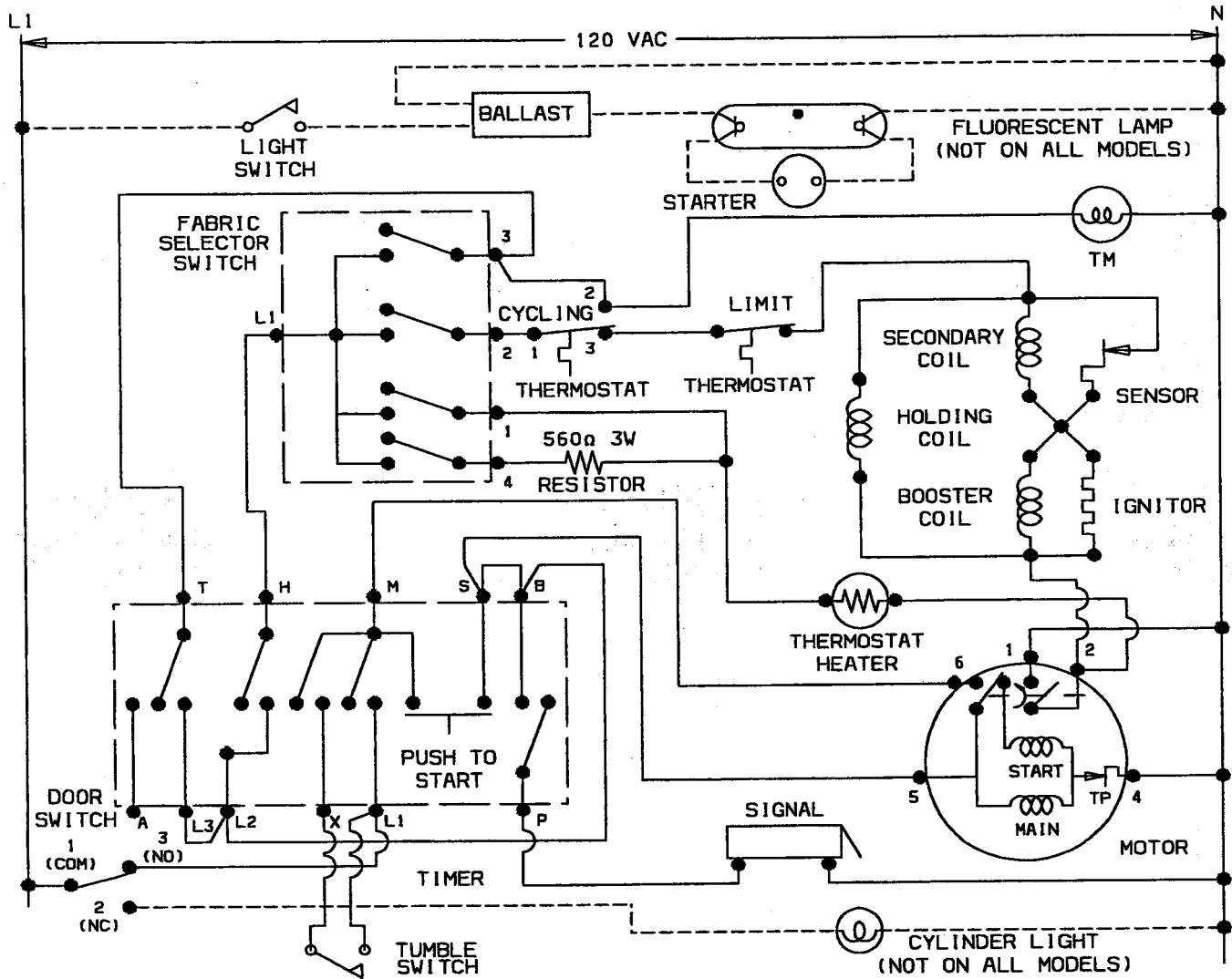
Models LGA50A\*, LGA60A\* and LGC50A\* Connection Diagram

# WARNING

Failure to install, maintain, and/or operate this machine according to the manufacturer's instructions may result in conditions which can produce bodily injury and/or property damage.

# CAUTION

Label all wires prior to disconnection when servicing controls. Wiring errors can cause improper and dangerous operation. Verify proper operation after servicing.



Models LGA50A\*, LGA60A\* and LGC50A\* Schematic Diagram



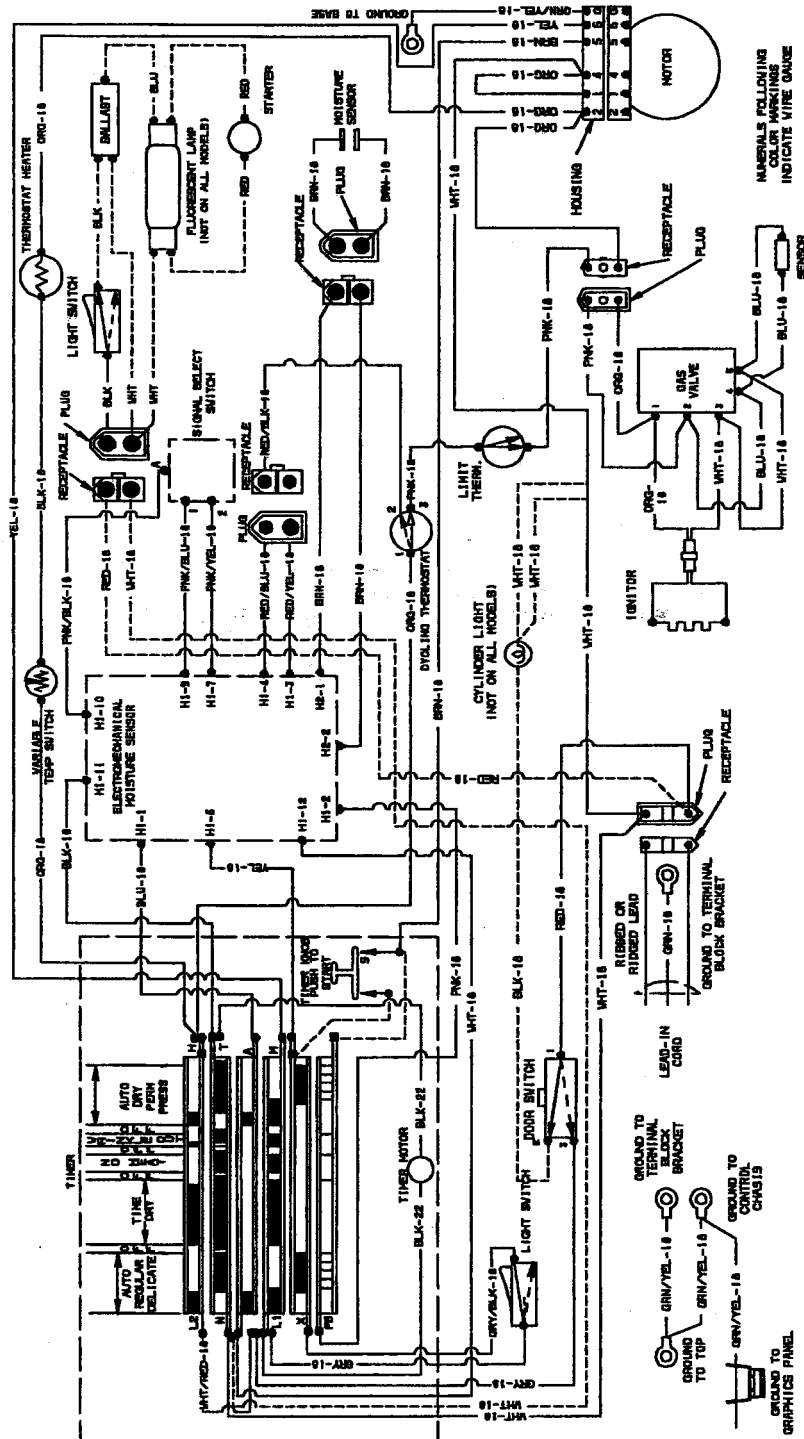
# WARNING

Failure to install, maintain, and/or operate this machine according to the manufacturer's instructions may result in conditions which can produce bodily injury and/or property damage.



# CAUTION

Label all wires prior to disconnection when servicing controls. Wiring errors can cause improper and dangerous operation. Verify proper operation after servicing.



Part number: 503931

Model LGA80A+ and LGD65A+ Connection Diagram

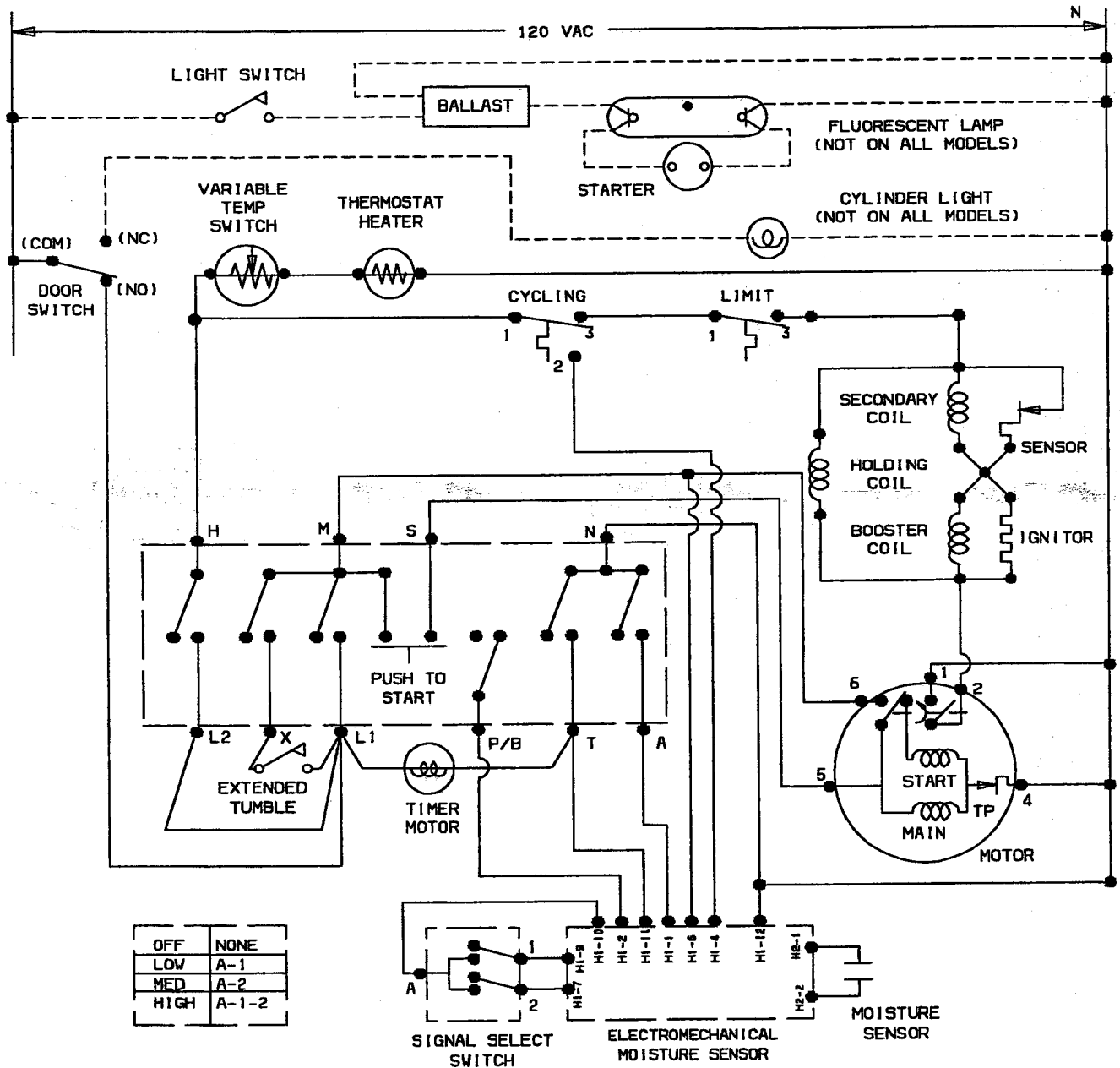


## ⚠ WARNING

Failure to install, maintain, and/or operate this machine according to the manufacturer's instructions may result in conditions which can produce bodily injury and/or property damage.

## ⚠ CAUTION

Label all wires prior to disconnection when servicing controls. Wiring errors can cause improper and dangerous operation. Verify proper operation after servicing.



**Model LGA80A\* and LGD65A\* Schematic Diagram**



## WARNING

Failure to install, maintain, and/or operate this machine according to the manufacturer's instructions may result in conditions which can produce bodily injury and/or property damage.



## CAUTION

Label all wires prior to disconnection when servicing controls. Wiring errors can cause improper and dangerous operation. Verify proper operation after servicing.

# SELF-DIAGNOSTIC ROUTINE

ENTRY: FOLLOW THE SEQUENCE GIVEN BELOW

1. MAKE SURE DRYER DOOR IS CLOSED.
2. START IN THE SLEEP MODE (DISPLAY COMPLETELY OFF).
3. PRESS THE SIGNAL PAD AND HOLD.
4. NOW PRESS THE START PAD.
5. RELEASE BOTH PADS.
6. IF UNABLE TO START ROUTINE CHECK DOOR SWITCH.

EXIT: DO ANY OF THE FOLLOWING.

1. PRESS ANY PAD.
2. OPEN DRYER DOOR.
3. UNPLUG THE DRYER.

TIME DISPLAY	ILLUMINATED L. E. D. / V. F. D.	MOTOR RELAY	HEAT RELAY	SIGNAL
11	ALL ON	ON	OFF	OFF
22	ALL OFF	ON	ON	OFF
33	ALL ON	ON	ON	OFF
44	ALL ON	ON	ON	OFF
55	ALL OFF	OFF	OFF	LOWEST
66	ALL ON	OFF	OFF	MEDIUM
77	ALL OFF	OFF	OFF	LOUDEST

1. THIS TEST ROUTINE WILL ONLY LIGHT THE LEDS PERTAINING TO THE HARDWARE MODEL SELECTED.
2. WHEN THE LAST STEP IN THE TABLE IS FINISHED THE ROUTINE SEQUENCE WILL REPEAT.
3. EACH OUTPUT IS ON FOR 5 SECONDS.

TEMPERATURE REGULATING CIRCUITRY ROUTINE: THIS ROUTINE WILL ALLOW A CHECK OF THE TEMPERATURE REGULATING CIRCUITRY. ONCE THIS ROUTINE IS ENTERED, THE CONTROL WILL DISPLAY A CODE IN THE 2-DIGIT VFD DISPLAY INDICATING A TEMPERATURE.

SEQUENCE TO ENTER TEMPERATURE REGULATING CIRCUIT ROUTINE

1. START IN THE SLEEP MODE (DISPLAY COMPLETELY OFF).
2. PRESS EXTENDED TUMBLE PAD AND HOLD.
3. NOW PRESS THE START PAD.
4. RELEASE BOTH PADS.
5. CONTROL NOW WILL DISPLAY THE AMBIENT TEMPERATURE OF THERMISTOR AS INDICATED IN THE TABLE BELOW.

DISPLAY	TEMP ( $\pm 5^{\circ}\text{F}$ )	DISPLAY	TEMP ( $\pm 5^{\circ}\text{F}$ )
0P	TEMPS < 10 $^{\circ}\text{F}$	00	100
50	50	10	110
60	60	20	120
70	70	30	130
80	80	SH	TEMPS > 170 $^{\circ}\text{F}$
90	90		

6. TO EXIT THIS ROUTINE PRESS ANY PAD OR UNPLUG THE MACHINE.

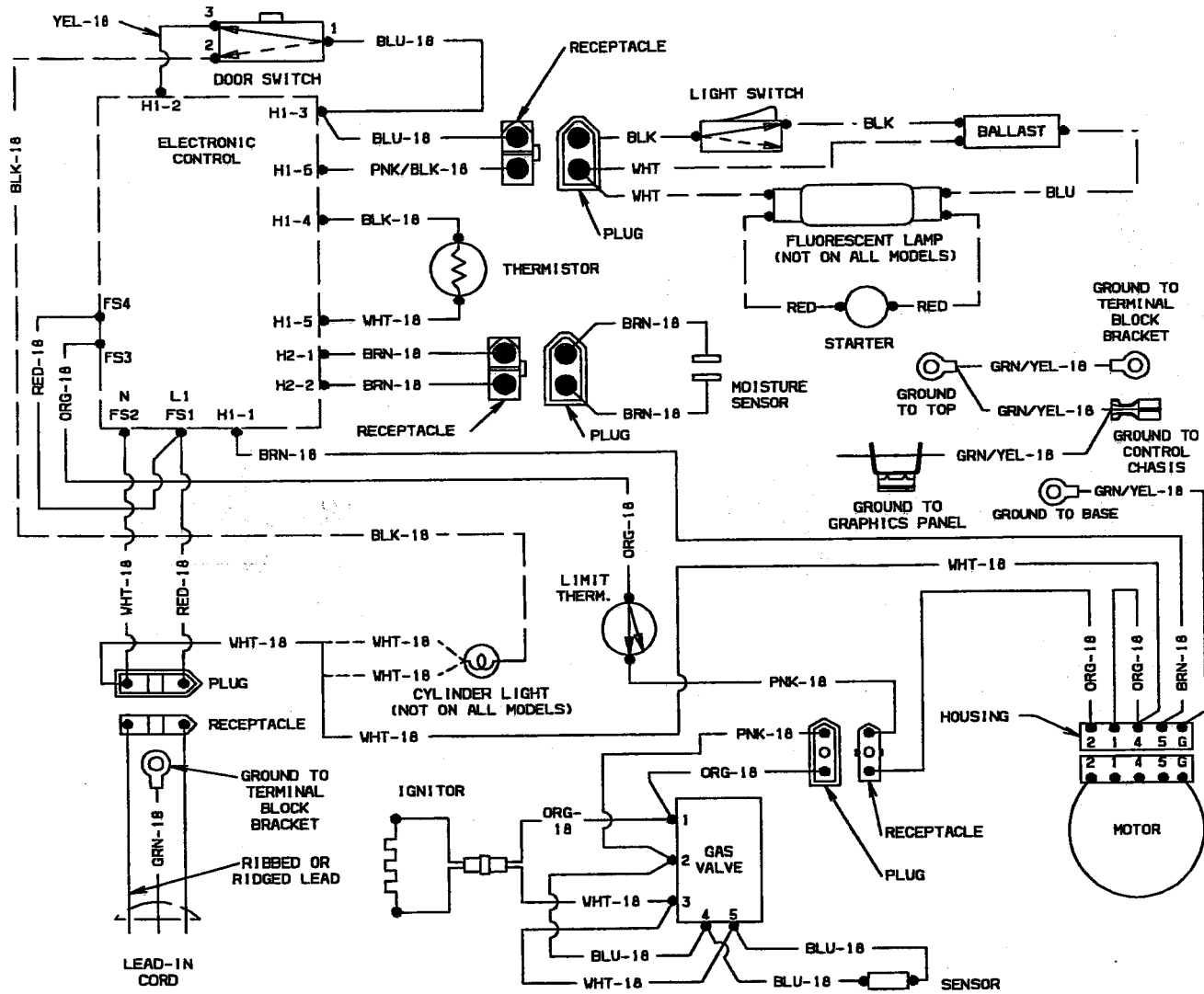
Model LGA90A\* Self-Diagnostic Routine\*

# ⚠ WARNING

Failure to install, maintain, and/or operate this machine according to the manufacturer's instructions may result in conditions which can produce bodily injury and/or property damage.

# ⚠ CAUTION

Label all wires prior to disconnection when servicing controls. Wiring errors can cause improper and dangerous operation. Verify proper operation after servicing.



Part number: 503929R1

Model LGA90A\* Connection Diagram



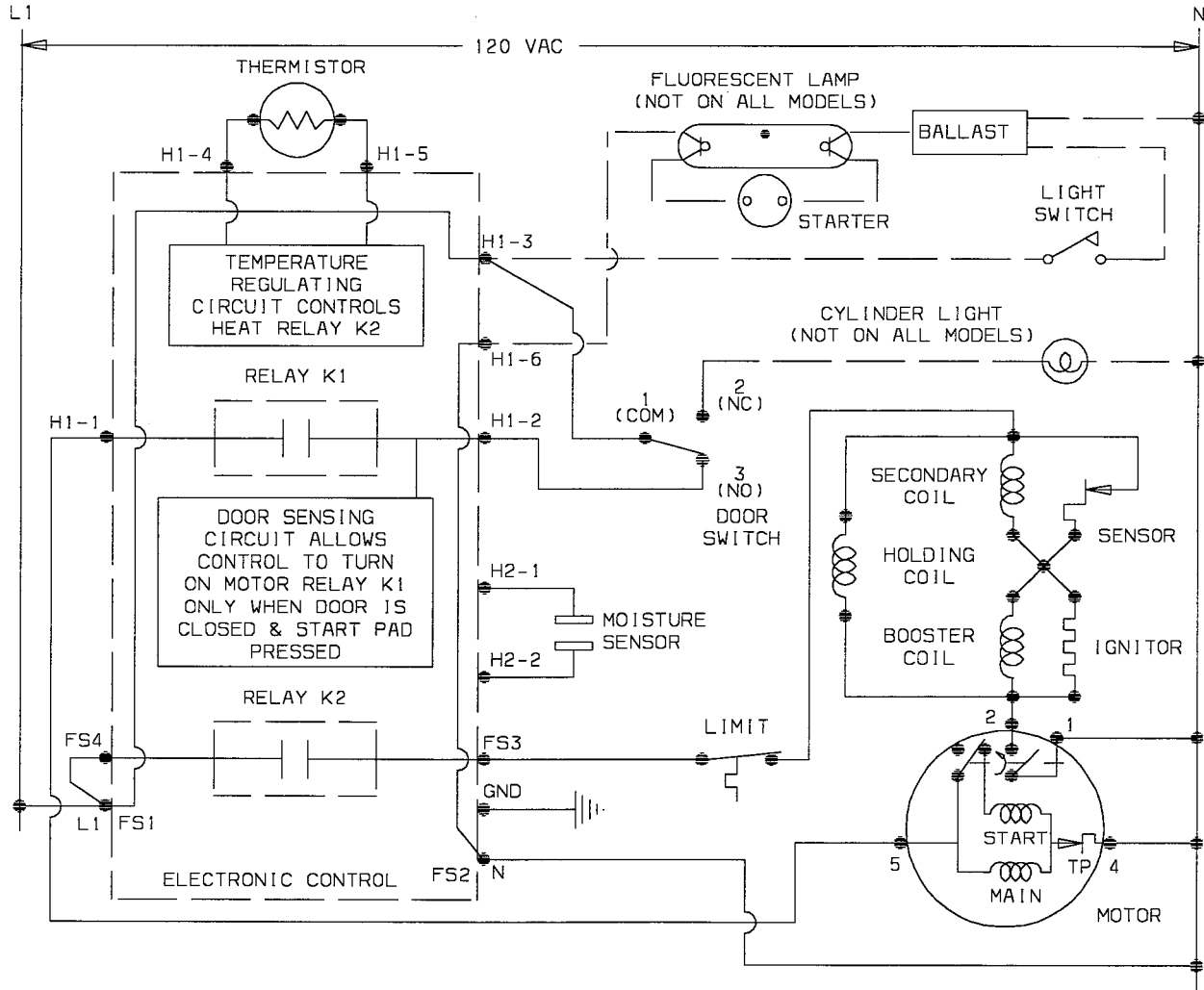
# WARNING

Failure to install, maintain, and/or operate this machine according to the manufacturer's instructions may result in conditions which can produce bodily injury and/or property damage.



# CAUTION

Label all wires prior to disconnection when servicing controls. Wiring errors can cause improper and dangerous operation. Verify proper operation after servicing.



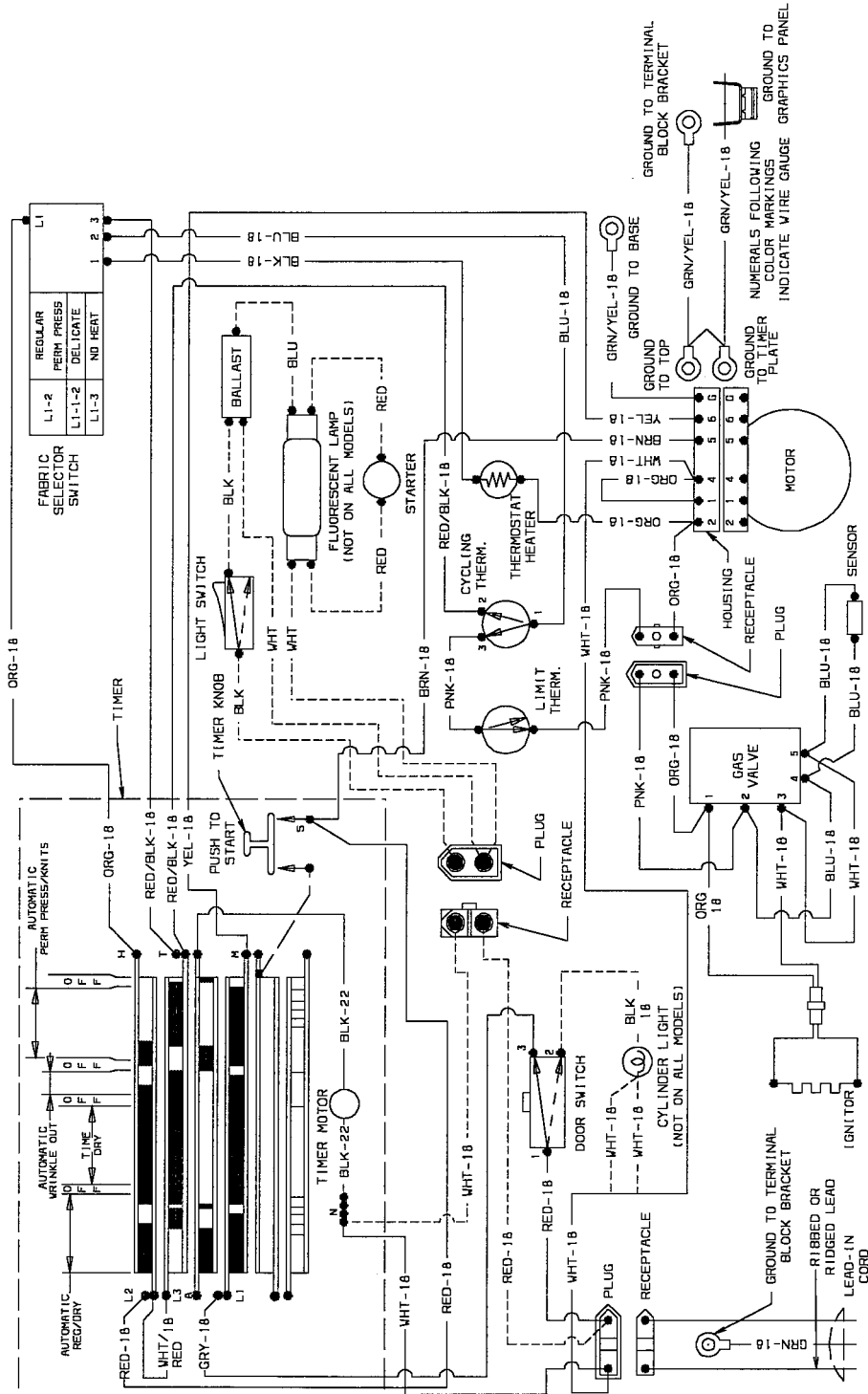
Model LGA90A\* Schematic Diagram

# ⚠ WARNING

Failure to install, maintain, and/or operate this machine according to the manufacturer's instructions may result in conditions which can produce bodily injury and/or property damage.

# ⚠ CAUTION

Label all wires prior to disconnection when servicing controls. Wiring errors can cause improper and dangerous operation. Verify proper operation after servicing.



Part number: 503945R1

**Model LGA20A\*, LGC20A\* and LGD20A\* Connection Diagram**



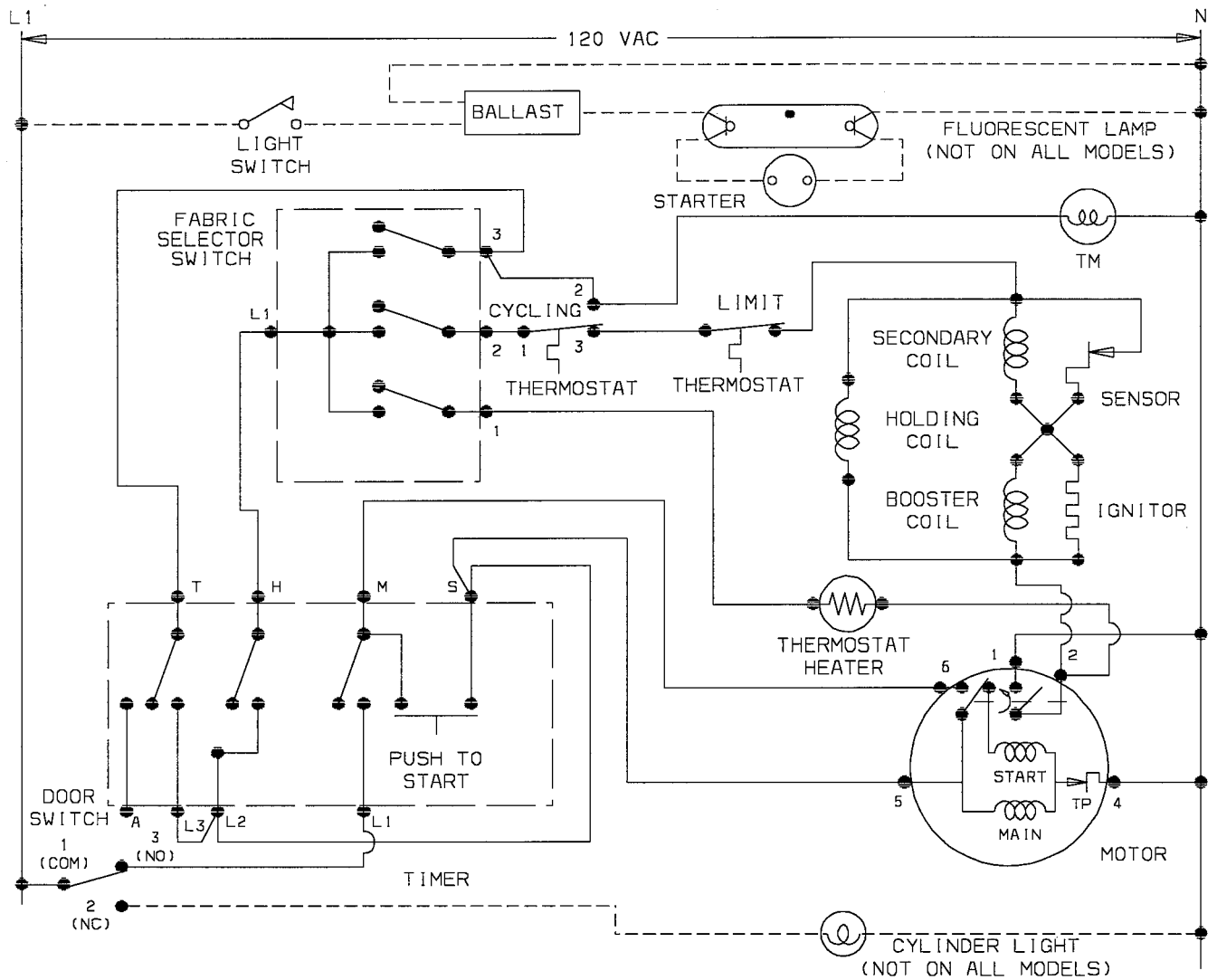
# WARNING

Failure to install, maintain, and/or operate this machine according to the manufacturer's instructions may result in conditions which can produce bodily injury and/or property damage.



# CAUTION

Label all wires prior to disconnection when servicing controls. Wiring errors can cause improper and dangerous operation. Verify proper operation after servicing.



Model LGA20A\*, LGC20A\* and LGD20A\* Schematic Diagram



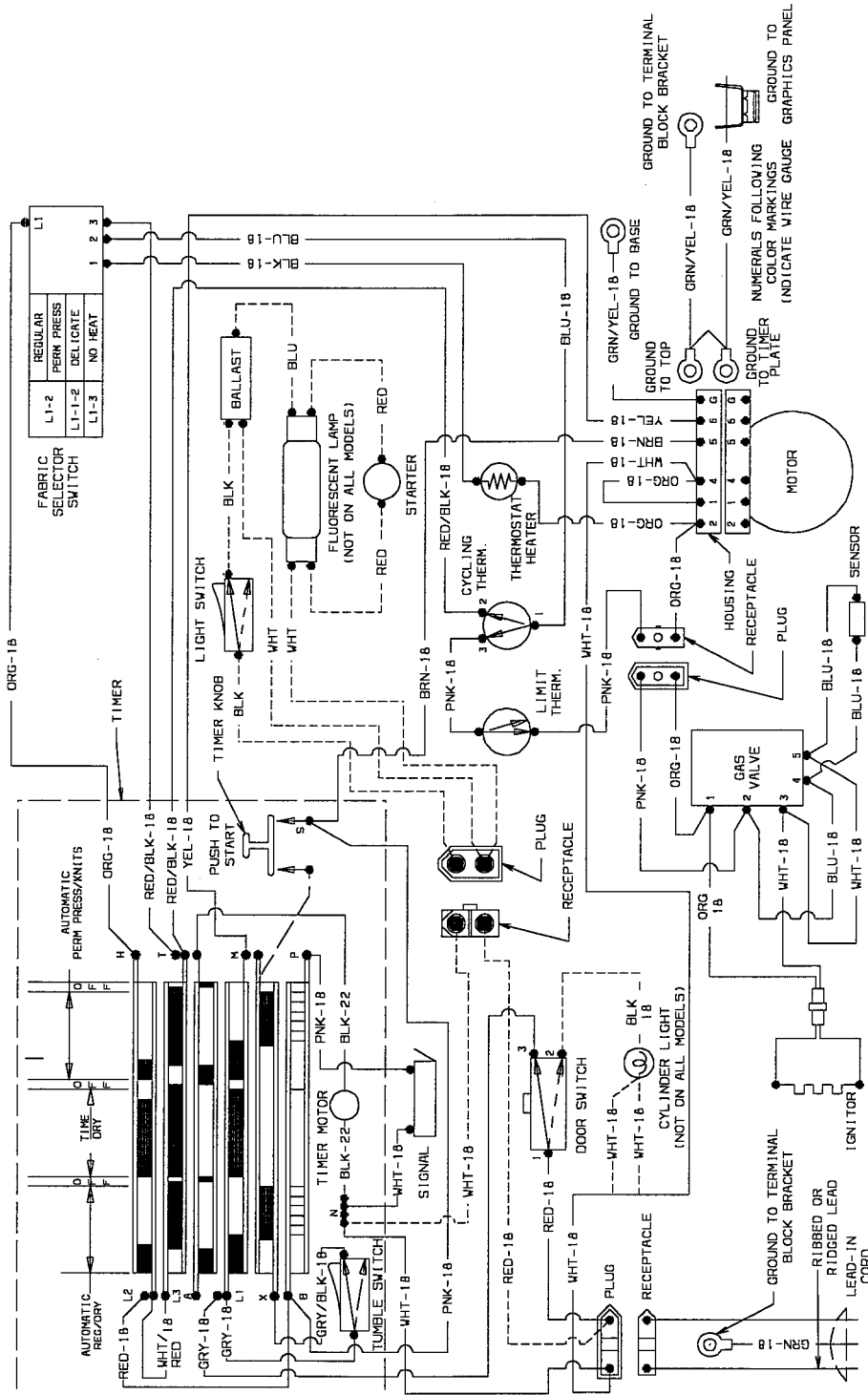
# WARNING

Failure to install, maintain, and/or operate this machine according to the manufacturer's instructions may result in conditions which can produce bodily injury and/or property damage.



# CAUTION

Label all wires prior to disconnection when servicing controls. Wiring errors can cause improper and dangerous operation. Verify proper operation after servicing.



Part number: 503941

## Model LGD32A\* Connection Diagram



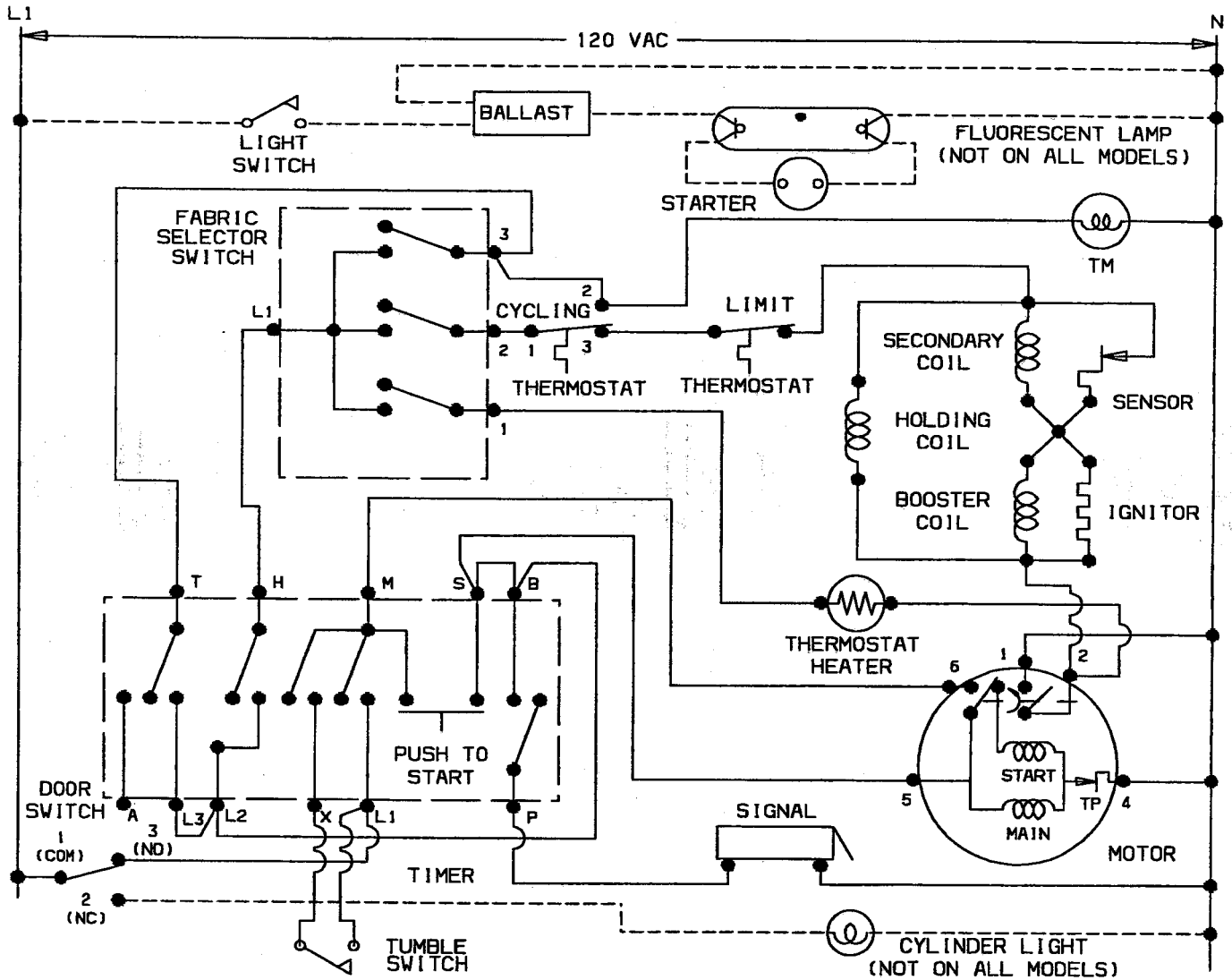
# WARNING

Failure to install, maintain, and/or operate this machine according to the manufacturer's instructions may result in conditions which can produce bodily injury and/or property damage.



# CAUTION

Label all wires prior to disconnection when servicing controls. Wiring errors can cause improper and dangerous operation. Verify proper operation after servicing.



Model LGD32A\* Schematic Diagram

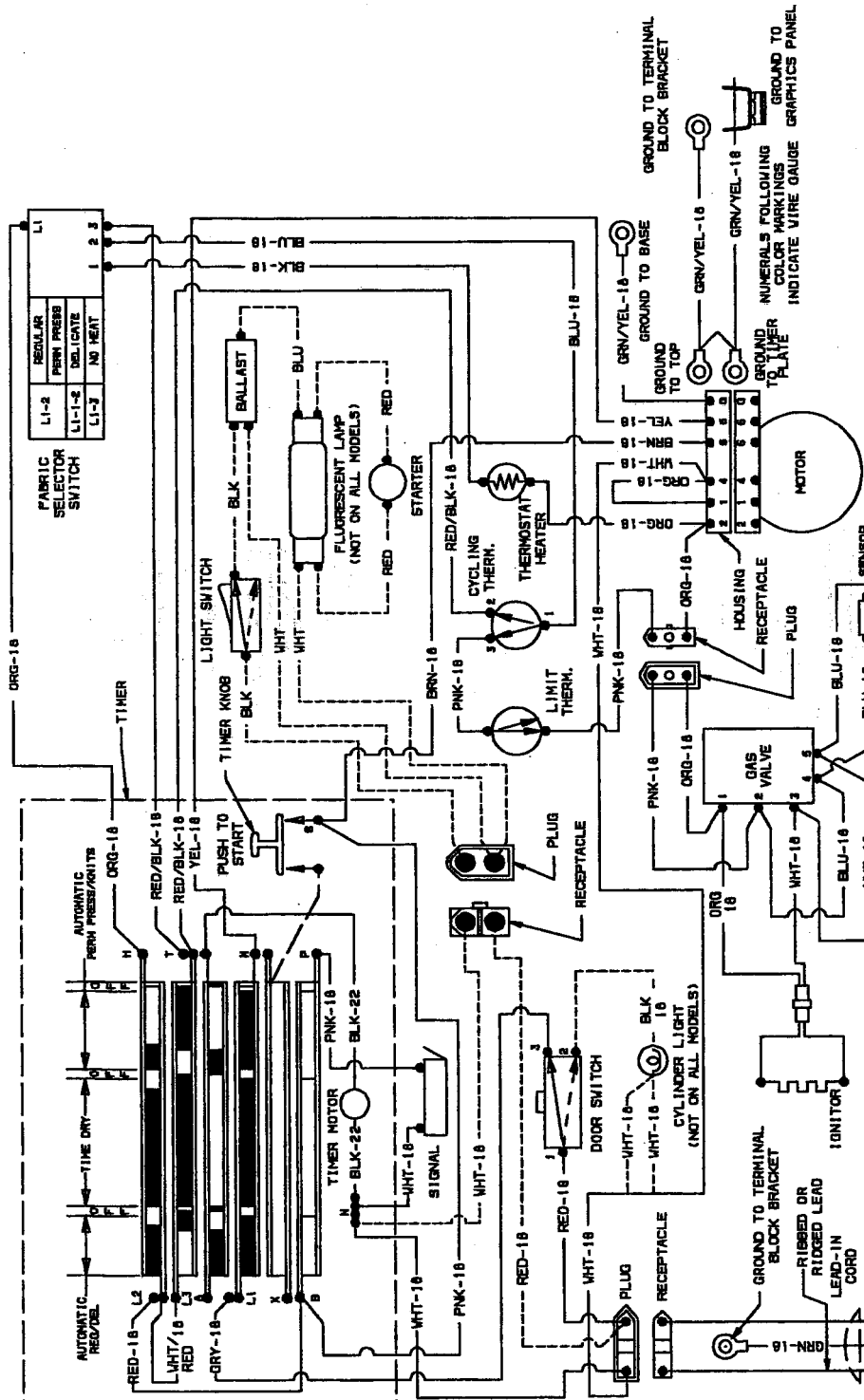


# ⚠ WARNING

Failure to install, maintain, and/or operate this machine according to the manufacturer's instructions may result in conditions which can produce bodily injury and/or property damage.

# ⚠ CAUTION

Label all wires prior to disconnection when servicing controls. Wiring errors can cause improper and dangerous operation. Verify proper operation after servicing.



Part number:503937R1

Model LGD57A\* Connection Diagram



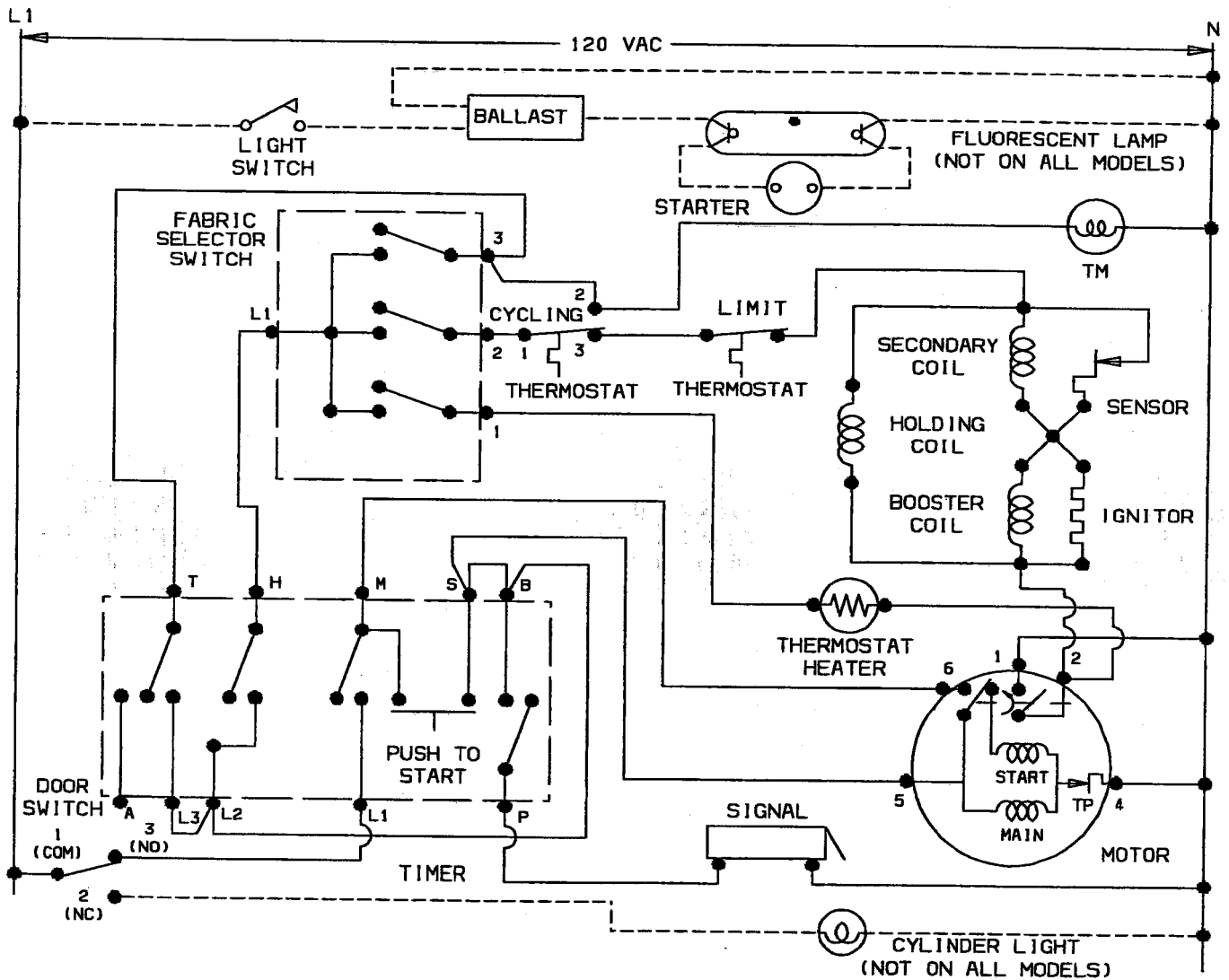
# WARNING

Failure to install, maintain, and/or operate this machine according to the manufacturer's instructions may result in conditions which can produce bodily injury and/or property damage.



# CAUTION

Label all wires prior to disconnection when servicing controls. Wiring errors can cause improper and dangerous operation. Verify proper operation after servicing.



Model LGD57A\* Schematic Diagram

# NOTES