



ELECTROLUX HOME PRODUCTS NORTH AMERICA

SERVICE MANUAL

27" Dryers

Gas & Electric

Models

Frigidaire

TAPPAN

W White-Westinghouse

Gibson

Kelvinator 

SAFE SERVICING PRACTICES - ALL APPLIANCES

To avoid personal injury and/or property damage, it is important that **Safe Servicing Practices** be observed. The following are some limited examples of safe practices:

1. **DO NOT** attempt a product repair if you have any doubts as to your ability to complete it in a safe and satisfactory manner.
2. Before servicing or moving an appliance:
 - Remove the power cord from the electrical outlet, trip the circuit breaker to the OFF position, or remove the fuse.
 - Turn off the gas supply.
 - Turn off the water supply.
3. Never interfere with the proper operation of any safety device.
4. **USE ONLY REPLACEMENT PARTS CATALOGED FOR THIS APPLIANCE. SUBSTITUTIONS MAY DEFEAT COMPLIANCE WITH SAFETY STANDARDS SET FOR HOME APPLIANCES.**
5. **GROUNDING:** The standard color coding for safety ground wires is **GREEN**, or **GREEN** with **YELLOW STRIPES**. Ground leads are not to be used as current carrying conductors. It is **EXTREMELY** important that the service technician reestablish all safety grounds prior to completion of service. Failure to do so will create a hazard.
6. Prior to returning the product to service, ensure that:
 - All electrical connections are correct and secure
 - All electrical leads are properly dressed and secured away from sharp edges, high-temperature components, and moving parts
 - All non-insulated electrical terminals, connectors, heaters, etc. are adequately spaced away from all metal parts and panels
 - All safety grounds (both internal and external) are correctly and securely connected
 - All panels are properly and securely reassembled

ATTENTION!!!

This service manual is intended for use by persons having electrical and mechanical training and a level of knowledge of these subjects generally considered acceptable in the appliance repair trade. Electrolux Home Products cannot be responsible, nor assume any liability, for injury or damage of any kind arising from the use of this manual.

SAFE SERVICING PRACTICES	2
QUICK REFERENCE SHEET	7 - 9
Serial nameplate location	7
Serial number breakdown	7
Tech sheet location	7
Front console models	7
Rear console models	7
Specification	8
Component resistance chart	9
Sample wiring diagrams	10 - 13
Sample wiring diagram for electric models without electronic moisture sensor controls	10
Sample wiring diagram for electric models with electronic moisture sensor controls	11
Sample wiring diagram for gas models without electronic moisture sensor controls	12
Sample wiring diagram for gas models with electronic moisture sensor controls	13
SECTION A - OPERATING INSTRUCTIONS	14 - 15
Before operating your dryer	14
Operating steps	14
Temperature selection	14
Air Fluff - no heat	14
Cycle selection	14 - 15
Auto Regular/Whites Cycle	14
Auto Delicate Cycle	15
Timed Dry Regular Cycle	15
Auto Perm Press/Colors Cycle	15
Energy saving tips	15
SECTION B - OWNERS GUIDE	16 - 24
Safety information	16 - 17
What to do if you smell gas	16
Product registration	16
Important safety instructions	16
Prevent fire	16
Protect children	17
Prevent injury	17
Drying Procedures	18
Features	19
Common drying problems	20
Care and cleaning	21
Inside	21
Outside	21
Avoid service checklist	22
Sample warranty	24
SECTION B - INSTALLATION INSTRUCTIONS GAS & ELECTRIC DRYER	26 - 34
Pre-installation requirements	26
Tools and materials required for installation	26
Electrical requirements	26
Electric dryers	26
Gas dryers	26
Exhaust system requirements	26
Exhaust directions	28
Exhaust duct locating dimensions	28

Gas supply requirements	28
Location of your dryer	28
Do not install your dryer	28
Installation in a recess or closet	28
Minimum installation clearances	28
This dryer must be exhausted outdoors	28
Under counter installation	29
Mobile home installation	29
Under counter & stack models	30
Rough-in dimensions	30
Top console models	31
Rough-in dimensions	31
Unpacking	31
Reversing door swing	31
Electrical installation	32
Electric dryers	32
Grounding requirements	32
Non-Canadian electric dryers	32
Canadian Electric dryer	32
Gas dryer	32
Electrical connections for 3-wire system	33
Non-Canadian electric dryers	33
Electrical connections for 4-wire system	33
Non-Canadian electric dryers	33
Installation	34
Gas connection	34
Replacement parts	34
SECTION D - HOW THE COMPONENTS WORK	35 - 49
The basic components	35 - 36
Drum	35
Heat source	35
Electric	35
Gas	35
Drive motor and blower	35
Control thermostat	36
Timer	36
Airflow	36
Airflow electric dryers	36
Airflow gas dryers	37
Airflow problems	38
Restrictions	38
Air leaks	38
Short unrestricted vents	38
Electrical operation (Electric dryers models without electronic moisture sensor)	38- 40
Auto dry cycle	39 - 40
Drive motor circuit	39
The timer motor circuit	39
The heating circuit	39
The cycle signal circuit	40
Timed dry cycle	40
Electrical operation (Electric dryers models with electronic moisture sensor)	40 - 43
Auto dry regular cycle	41 - 42
Drive motor circuit	41
The timer motor circuit	41
The heating circuit	42
The cycle signal circuit	42
Auto dry knits and delicates cycle	42

Drive motor and heating circuits _____	42
Timed dry cycle _____	42
Drive motor and heating circuits _____	42
Permanent press cycle _____	43
Drive motor, heating and end of cycle circuits _____	43
Electrical operation (Gas dryers models without electronic moisture sensor) _____	43 - 45
Auto dry cycle _____	43 - 45
Drive motor circuit _____	43
The timer motor circuit _____	44
The heating circuit _____	44
The cycle signal circuit _____	45
Timed dry cycle _____	45
Electrical operation (Gas dryers models with electronic moisture sensor) _____	46 - 49
Auto dry regular cycle _____	46 - 48
Drive motor circuit _____	46
The timer motor circuit _____	47
The heat circuit _____	47
The cycle signal circuit _____	48
Auto dry knits and delicates cycle _____	48 - 49
Drive motor and heating circuits _____	49
Timed dry cycle _____	49
Drive motor, heating and cycle signal circuits _____	49
SECTION F - TROUBLESHOOTING FLOW CHARTS _____	51 - 59
Electric dryer completely inoperative _____	52
Gas dryer completely inoperative _____	52
Electric dryers, without electronic moisture sensor control, motor runs but timer does not advance in auto or timed dry _____	53
Electric dryers, without electronic moisture sensor control, timer advances in timed dry but not in auto dry _____	53
Electric dryers, without electronic moisture sensor control, timer advances in auto dry but not in timed dry _____	54
Gas and Electric dryers, with electronic moisture sensor controls, motor runs but timer does not advance in auto or timed dry _____	54
Electric and Gas dryers, with electronic moisture sensor control, timer advances in timed dry but not in auto dry _____	55
Electric and Gas dryers, with electronic moisture sensor control, timer does not pause in auto dry with wet clothes in the dryer _____	55
Electric and Gas dryers blower motor runs but drum does not turn _____	56
Electric and Gas dryers longer than normal drying times _____	56
Electric dryers blower motor runs but dryer does not heat _____	57
Gas dryers blower motor runs but dryer does not heat _____	58
Electric and Gas dryers dryer over heating _____	59
SECTION G - TEARDOWN _____	60 - 78
Removing the knobs _____	60
Raising the top _____	60
Removing rear panel from console (Top console models) _____	61
Removing the timer (Top console models) _____	61
Removing the timer (Front console models) _____	62
Removing the turn to start or temperature switch (Top console models) _____	62
Removing the turn to start or temperature switch (Front console models) _____	63
Removing the press saver option or end of cycle chime switch (Top console models) _____	63
Removing the press saver option switch (Front console models) _____	64
Removing the end of cycle chime switch (Front console models) _____	64
Removing the electronic moisture sensor control (Top console models) _____	64
Removing the electronic moisture sensor control (Front console models) _____	65

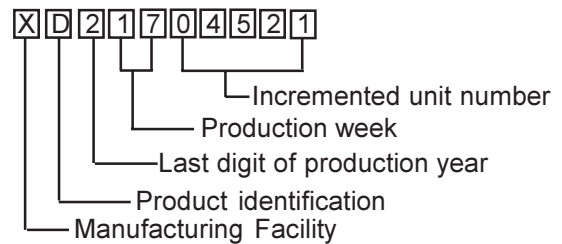
Removing the top console skirt (Top console models)	65
Removing the console (Top console models)	65
Removing the end caps (Top console models)	66
Removing the console's front panel (Top console models)	66
Removing the buzzer (Top console models)	66
Removing the buzzer (Front console models)	66
Removing the door	66
Separating the door panel	67
Removing the door seal	67
Removing the door handle	67
Removing the door strike	67
Removing the door hinge	67
Removing the door catch	68
Releasing the top of the front panel	68
Removing the door switch	68
Removing the clips that hold the front of the top down	69
Removing the front panel (Front console models)	69
Removing the console (Front console models)	69
Separating the front console panel and the control mounting panel (Front console models)	69
Removing the sensor bars	70
Replacing the drum light bulb	70
Replacing the drum light housing	70
Replacing the drum light socket	71
Replacing the felt seal	71
Replacing the foam seal	71
Removing the rear vent	71
Releasing the dryer belt	72
Removing the vane from the drum	72
Removing the drum	72
Removing the belt	72
Removing the hitch ball from the drum	73
Removing the teflon glides	73
Removing the drum heat shield (Electric dryers)	73
Removing the hitch	73
Removing the high limit thermostat	74
Removing the thermal limiter (Electric dryers)	74
Removing the heating element assembly (Electric dryers)	74
Removing the control thermostat	75
Removing the blower housing and fan blade	75
Removing the idler pulley	76
Removing the idler pulley assembly	76
Removing the drive motor	76
Removing the burner (Gas dryers)	76
Removing the ignitor (Gas dryers)	77
Removing the gas valve assembly (Gas dryers)	77
Removing the gas valve coils (Gas dryers)	77
Removing the sensor (Gas dryers)	78
Removing the combustion chamber (Gas dryers)	78
Removing the duct and heat shield (Gas dryers)	78
Removing the manifold pipe (Gas dryers)	79
Removing the vent pipe (Gas dryers)	79
Removing the gasket between the vent pipe and blower housing	79

QUICK REFERENCE SHEET

1. Serial nameplate location: on the front panel at the left side of the dryer door opening.

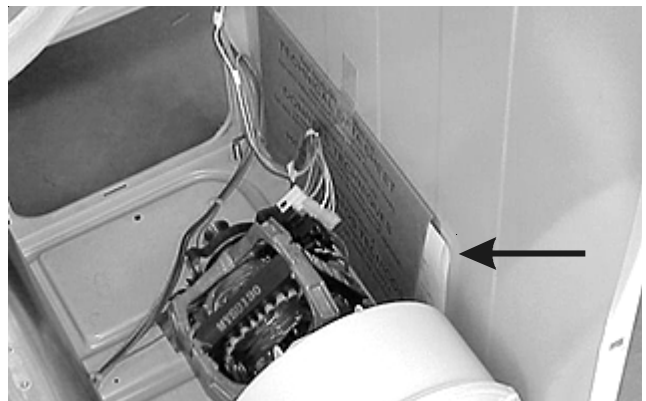


2. Serial number breakdown.



3. Tech sheet location

Front console models: on the righthand bodyside behind the front panel and inside rear access pane.



Rear console models: on main top inside console.



QUICK REFERENCE SHEET

SPECIFICATION	ELECTRIC MODELS	GAS MODELS
Electrical		
Volts 120/208 or 120/240	120/208 or 120/240	120
Amps (circuit)	30	15
Motor wattage	160-350 Watts	160-350 Watts
Heat input (Watts @ 240VAC)	3200/4500	---
Heat input (BTU/Hr.)	---	20,000
Auto. Elec. Ignition	---	Yes
Drum		
Size (Cu. Ft.)	5.7	5.7
Finish	Power Paint Epoxy	Power Paint Epoxy
R.P.M.	48 - 54	48 - 54
Airflow CFM	200	200
DRUM TEMPERATURES (Max. opening on 1st cycle)		
High	145° - 190°	145° - 190°
Medium	140° - 180°	140° - 180°
Low	135° - 175°	135° - 170°
Dimension (Inches)		
Height (Stack Models)	36"	36"
Height (Console Models)	43 3/8"	43 3/8"
Width	26 7/8"	26 7/8"
Depth	27"	27"
Vent Capability**	4-Way	3-Way
Top Finish	Power Paint Enamel	Power Paint Enamel
Port Opening (Sq. In.)	235	235

** Electric dryers can be vented four ways: through back, bottom, right or left side.

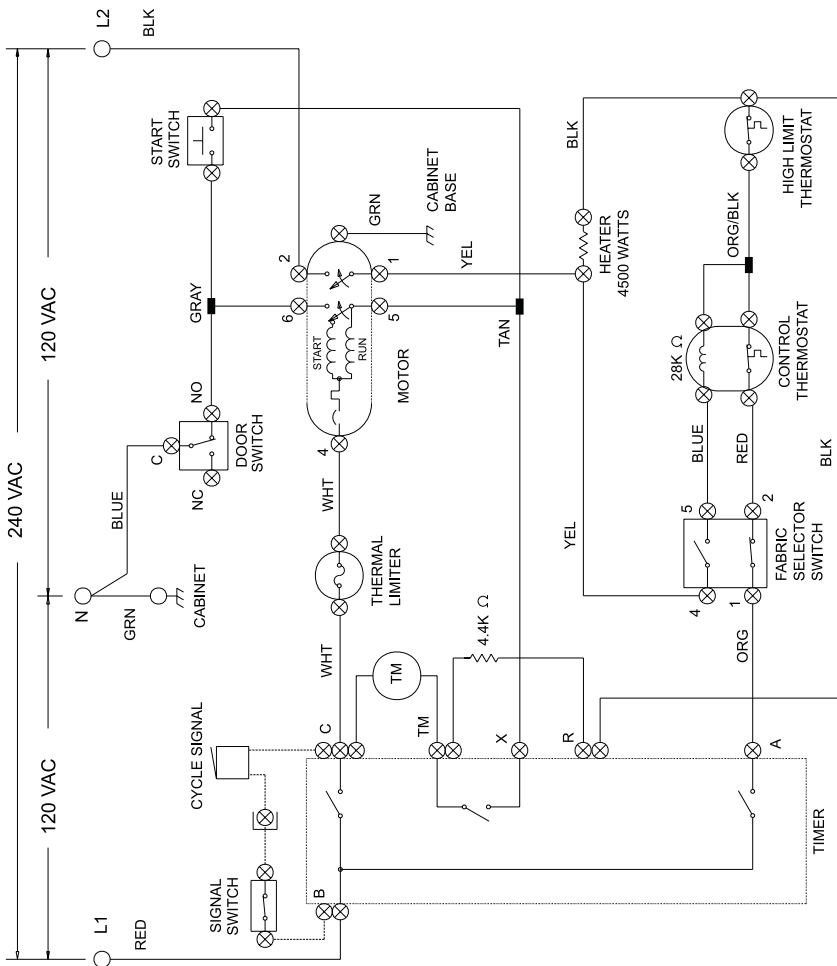
** Gas dryers can be vented three ways: through back, bottom, or right side.

QUICK REFERENCE SHEET

Component Resistances*	Electric Models	Gas Models
Drive motor (120 volt, 60 Hz, 1/4 h.p. 1725 rpm)		
Motor Start Winding	4.5 Ohms	4.5 Ohms
Motor Run Winding	3.8 Ohms	3.8 Ohms
Timer Motor	2280-2300 Ohms	2280-2300 Ohms
Timer Dropping Resistor (located in the harness)	4,400 Ohms	
Heating Element	12.8 Ohms	
Bias Heater on Thermostat	28,000 Ohms	7,000 Ohms
Burner Assembly		
Ignitor	---	50 - 400 Ohms
Secondary Coil	---	1200 Ohms
Booster Coil	---	1320 Ohms

* +/- 10% @ 77° F

SAMPLE WIRING DIAGRAM FOR ELECTRIC MODELS WITHOUT ELECTRONIC MOISTURE SENSOR CONTROLS



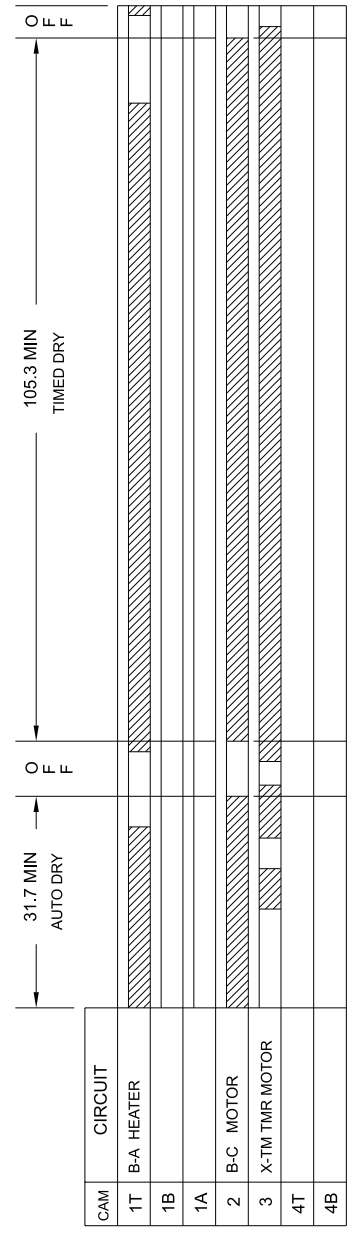
WIRING CODES	
	QUICK DISCONNECT TERMINAL CONNECTION
	NO CONNECTION
	MOTOR SWITCH
	SPLICE
	MOTOR PROTECTOR
	CHASSIS (CABINET) GROUND
	SCREW TERMINAL
	HARNESS CONNECTOR TERMINAL
	INSULATED TERMINAL

FABRIC SELECTOR SWITCH

FUNCTION	CIRCUIT 1-2	4-5
REGULAR	X	X
LOW	X	X
AIR FLUFF		X

X= CONTACTS CLOSED

- NOTES:**
1. ALL WIRING MUST CONFORM TO LOCAL ELECTRICAL CODES.
 2. CONNECT DRYER TO A 30 AMPERE INDIVIDUAL BRANCH CIRCUIT.
 3. TIMER SHOWN IN OFF POSITION, DOOR SWITCH CLOSED, MOTOR AT REST, THERMOSTAT CLOSED AND FABRIC SELECTOR SWITCH AT REGULAR.



NOTE: DASHED LINES INDICATE CIRCUITS THAT ARE NOT IN ALL MODELS.

BAR CHART TO THE LEFT REPRESENTS ONE COMPLETE REVOLUTION OF TIMER SHAFT.
SHADED PORTION OF BAR CHART INDICATES THE PROPORTIONAL TIMES THAT INTERNAL TIMER CONTACTS ARE CLOSED.

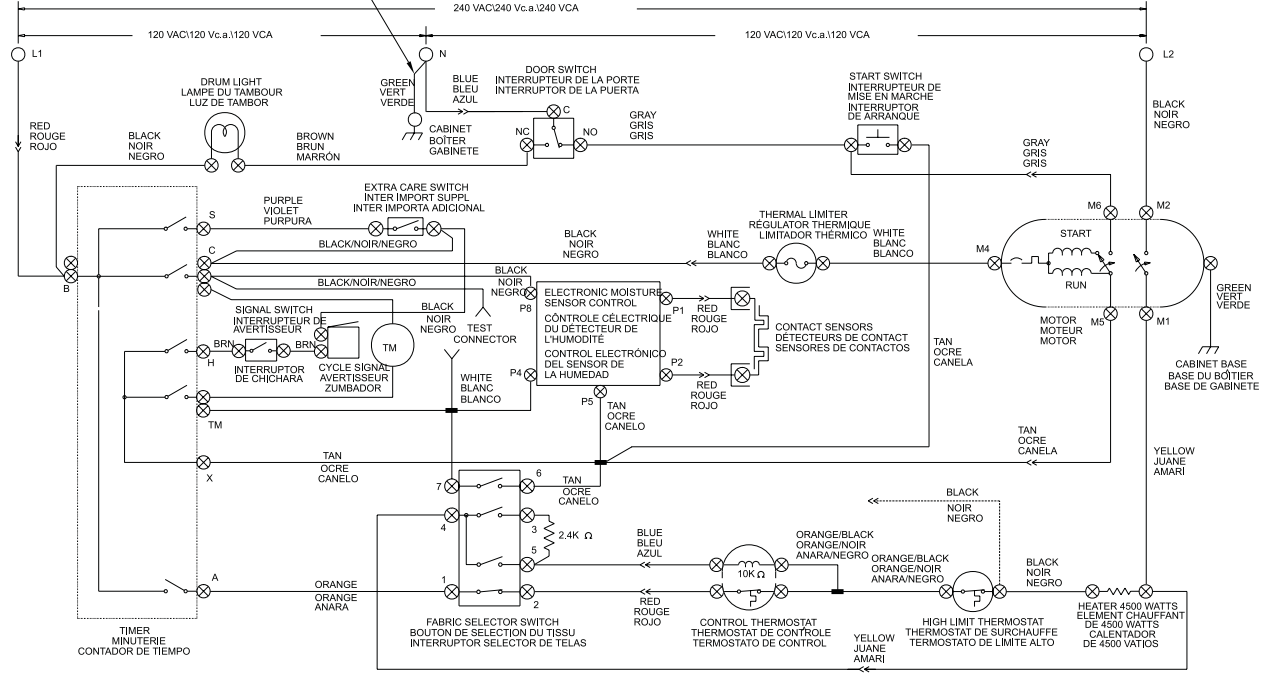
SAMPLE WIRING DIAGRAM FOR ELECTRIC MODELS WITH ELECTRONIC MOISTURE SENSOR CONTROLS

WIRE NOT INCLUDED IN MODELS PROVIDED WITH 4-WIRE POWER CORD.
 FIL NON COMPRIS POUR LES MODELES QUI DISPOSENT D'UN CORDON D'ALIMENTATION A 4 FILS.
 EL ALAMBRE NO SW INCLUYE EN LOS MODELOS PROPORCIONADOS CON UN CORDON DE ALIMENTACION DE CUATRO ALAMBRES.

NOTE: DASHED LINE INDICATES CIRCUITS THAT ARE NOT IN ALL MODELS.

REMARQUE: LES TIRETS INDIQUENT L'EMPLACEMENT DES CIRCUITS QUI NE SONT PAS PRESENTS DANS TOUS LES MODPRELES.

NOTA: LAS LINEAS DE PUNTO INDICAN CIRCUITOS QUE NO ESTAN EN TODOS LOS MODELOS.



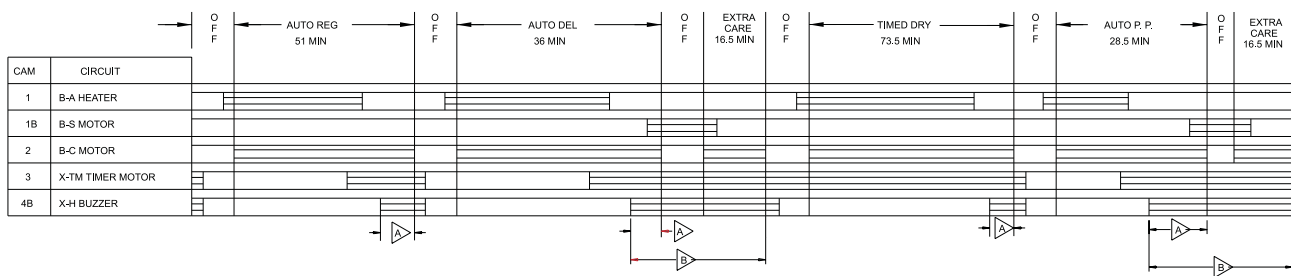
WIRING CODES	CODES DE CÂBLAGE	CODIGOS DE ALAMBRADOS
⊗ QUICK DISCONNECT TERMINAL	BORNE À DBOURNE EBRANCHEMENT RAPIDE	TERMINAL DE DESCONEXION RAPIDA
⊕ CONNECTION	CONNEXION	CONEXION
⊖ NO CONNECTION	AUCUNE CONNEXION	SIN CONEXION
⊛ MOTOR SWITCH	INTERRUPTEUR DU MOTEUR	INTERRUPTEUR DEL MOTOR
⊞ SPLICE	EPISSURE	EMPALME
⊟ MOTOR PROTECTOR	PROTECTEUR DU MOTEUR	PROTECTOR DEL MOTOR
⊠ CHASSIS (CABINET) GROUND	MISE À LA TERRE DU BOMISE TIERRA	PUESTA A TIERRA DEL CHASIS (GABINETE)
⊡ SCREW TERMINAL	BORNE DE TORNILLO	BORNE DE TORNILLO
⊢ HARNESS CONNECTOR TERMINAL	BORNE À CONNECTEUR DE HARNESS	TERMINAL CONECTOR DE CONEXIONADO
⊣ INSULATED TERMINAL	BORNE OSOLEE	TERMINAL AISLADO

FABRIC SELECTOR SWITCH BOULON DE SELECTION DU TISSU INTERRUPTEUR SELECTOR DE TELAS		CIRCUIT CIRCUITO				
FUNCTION	FONCTION	FUNCION	1-2	4-3	4-5	6-7
REGULAR	RÉGULIER	REGULAR	X			
MEDIUM	MOYEN	MEDIO	X	X		
LOW	FABLE	BAJO	X		X	
AIR FLUFF	DUVETAGE	ESPONNADO CON AIRE				X

NOTES:
 1. ALL WIRING MUST CONFORM TO LOCAL ELECTRICAL CODES.
 2. CONNECT DRYER TO A 30 AMP INDIVIDUAL BRANCH CIRCUIT.
 3. TIMER SHOWN IN OFF POSITION, DOOR SWITCH CLOSED.
 MOTOR AT REST, THERMOSTAT CLOSED AND FABRIC SELECTOR SWITCH AT REGULAR.

REMARKS:
 1. TOUT LE CÂBLAGE DOIT RESPECTER LES CODES DE L'ELECTRICITÉ LOCAUX.
 2. BRANCHER LA SÈCHEUSE À UNE DÉRIVATION DISTINCTE DE 30 AMPÈRES.
 3. MINUTERIE ILLUSTRÉE EN POSITION FERMÉE, MOTEUR ARRÊTÉ, THERMOSTAT FERMARRÊTÉ ET BOUTON DE SELECTION DU TISSU SUR RÈGULIER.

NOTAS:
 1. TODAS LAS INSTALACIONES ALAMBRICAS DEBEN CUMPLIR CON LOS CODIGOS ELECTRICOS LOCALES.
 2. CONECTAR LA SECADORA A UN CIRCUITO DE RAMAL INDIVIDUAL DE 30 AMPERIOS.
 3. EL CRONIZADOR SE MUESTRA EN POSICION APAGADO, EL INTERRUPTOR DE LA PUERTA CERRADO, EL MOTOR EN REPOSE, EL THERMOSTATO CERRADO Y EL INTERRUPTOR SELECTOR DE TISSU EN REGULAR.



BAR CHART ABOVE REPRESENTS ONE COMPLETE REVOLUTION OF TIMER SHAFT.

LE DIAGRAMME SUR LA GAUCHE REPRÉSENTE UNE ROTATION COMPLETE DE L'ARBRE DE LA MINUTERIE.

EL GRAFICO DE BARRAS DE LA IZQUIERDA REPRESENTA UNA REVOLUCION COMPLETA DEL EJE DEL CRONIZADOR.

SHADED PORTION OF BAR CHART INDICATES THE PROPORTIONAL TIMES THAT INTERNAL TIMER CONTACTS ARE CLOSED.

LA PARTIE OMBRÉE DU DIAGRAMME INDIQUE LE TEMPS RELATIF PENDANT LEQUEL LES CONTACTS INTERNES DE LA MINUTERIE SONT FERMÉS.

LA PORCION SOMBRADA DEL GRAFICO DE BARRAS INDICA LOS TIEMPOS PROPORCIONALES QUE LOS CONTACTOS INTERNOS DEL CRONIZADOR ESTAN CERRADOS.

A PULSAR CAM, LOCATED NEXT TO THE BUZZER CAM AND ROTATING AT 12 REVOLUTIONS PER HOUR, ALLOWS CIRCUITS "X-H" TO CLOSE FOR 5 SECONDS (±3 SECONDS).

UNE CAME D'IMPULSION SITUÉE À CÔTÉ DE LA CAME DE L'AVERTISSEUR ET TOURNANT À RAISON DE 12 TOURS À L'HEURE PERMET AU CIRCUIT «X-H» DE SE FERMER PENDANT 5 SECONDES (±3 SECONDES).

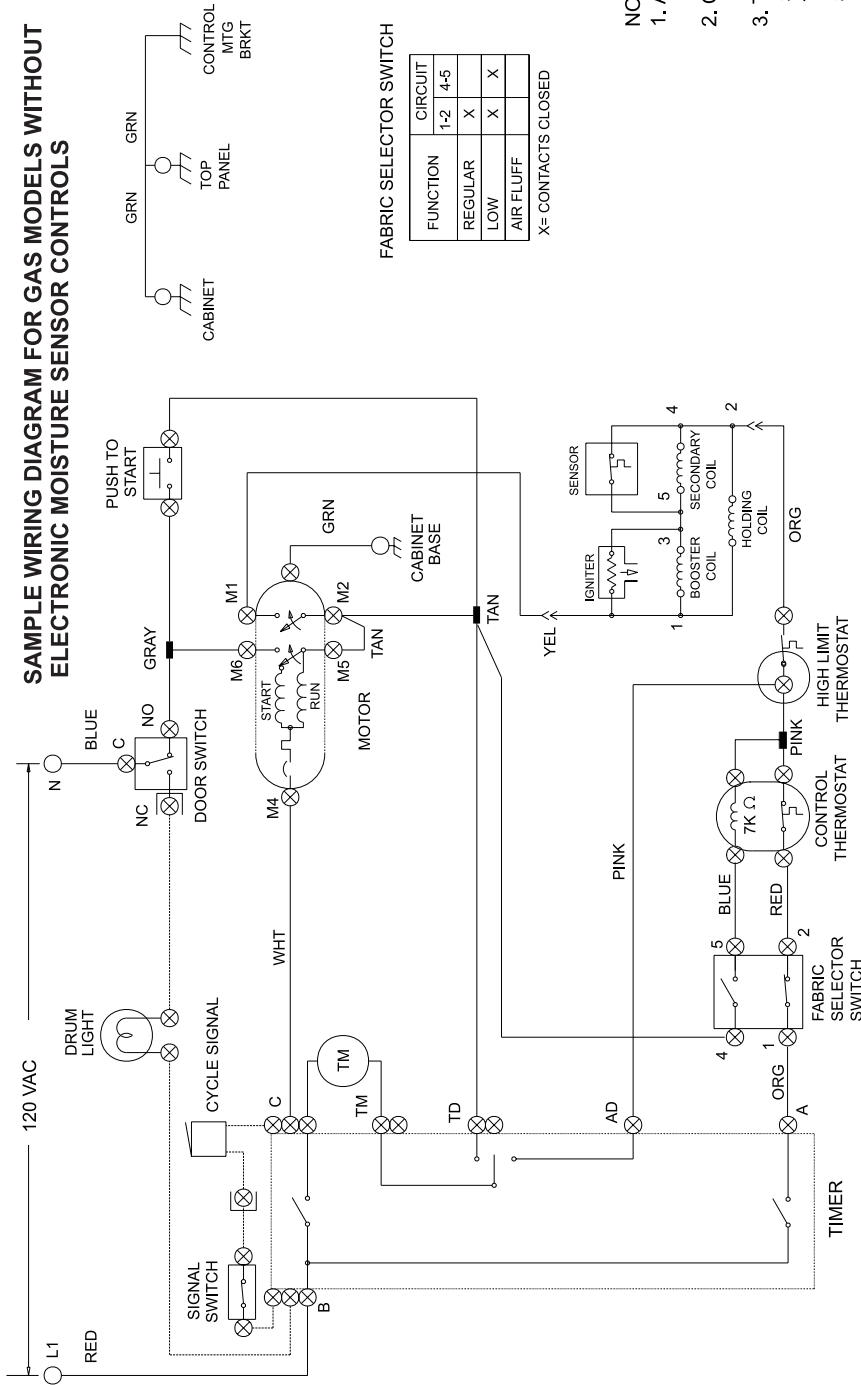
UNA LEVA GENERADORA DE IMPULSION, UBICADA JUNTO A LA LEVA DEL ZUMBADOR Y GIRANDO A 12 REVOLUCIONES POR HORA, PERMITE QUE EL CIRCUITO "X-H" SE CIERRE DURANTE 5 SEGUNDOS (±3 SEGUNDOS).

⊠ 1 OR 2 TIMES IN THIS AREA
 ⊡ 5 TO 7 TIMES IN THIS AREA

⊠ 1 OU 2 FOIS DANS CETTE SECTION
 ⊡ DE 5 À 7 FOIS DANS CETTE SECTION

⊠ 1 Ó 2 VECES EN ESTA AREA
 ⊡ 5 A 7 VECES EN ESTA AREA

SAMPLE WIRING DIAGRAM FOR GAS MODELS WITHOUT ELECTRONIC MOISTURE SENSOR CONTROLS



WIRING CODES	
	PLUG-IN TIMER
	QUICK DISCONNECT TERMINAL
	CONNECTION
	NO CONNECTION
	MOTOR SWITCH
	SPLICE
	MOTOR PROTECTOR
	CHASSIS (CABINET) GROUND
	SCREW TERMINAL
	HARNESS CONNECTOR TERMINAL
	INSULATED TERMINAL

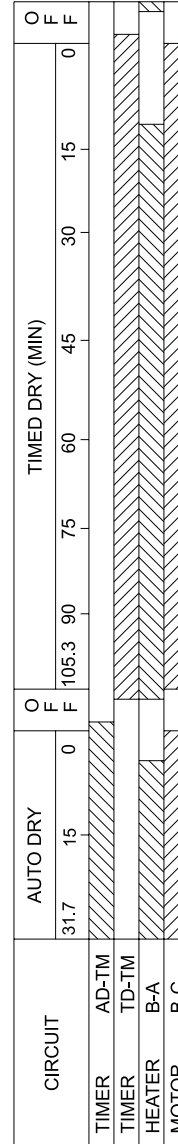
FUNCTION	CIRCUIT	
	1-2	4-5
REGULAR	X	X
LOW	X	X
AIR FLUFF	X	X

X= CONTACTS CLOSED

- NOTES:
1. ALL WIRING MUST CONFORM TO LOCAL ELECTRICAL CODES.
 2. CONNECT DRYER TO A 15 AMPERE INDIVIDUAL BRANCH CIRCUIT.
 3. TIMER SHOWN IN OFF POSITION, DOOR SWITCH CLOSED, MOTOR AT REST, THERMOSTAT CLOSED AND FABRIC SELECTOR SWITCH AT REGULAR.

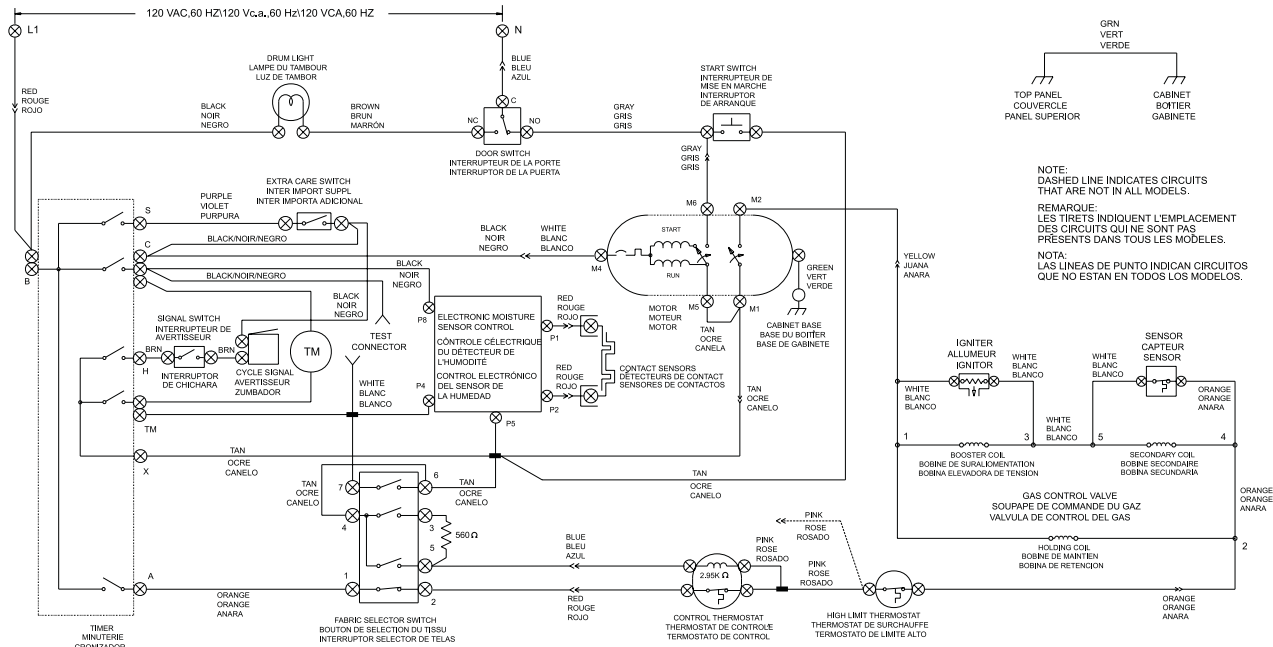
BAR CHART TO THE LEFT REPRESENTS ONE COMPLETE REVOLUTION OF TIMER SHAFT.

SHADED PORTION OF BAR CHART INDICATES THE PROPORTIONAL TIMES THAT INTERNAL TIMER CONTACTS ARE CLOSED.



NOTE: DASHED LINES INDICATE CIRCUITS THAT ARE NOT IN ALL MODELS.

SAMPLE WIRING DIAGRAM FOR GAS MODELS WITH ELECTRONIC MOISTURE SENSOR CONTROLS



NOTE: DASHED LINE INDICATES CIRCUITS THAT ARE NOT IN ALL MODELS.
 REMARQUE: LES TIRETS INDICENT L'EMPLACEMENT DES CIRCUITS QUI NE SONT PAS PRÉSENTS DANS TOUTS LES MODÈLES.
 NOTA: LAS LINEAS DE PUNTO INDICAN CIRCUITOS QUE NO ESTAN EN TODOS LOS MODELOS.

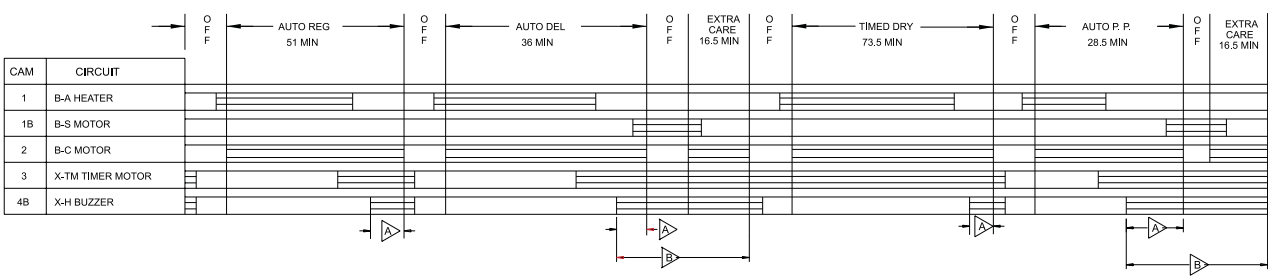
WIRING CODES	CODES DE CÂBLAGE	CODIGOS DE ALAMBRADOS
⊗ QUICK DISCONNECT TERMINAL	BORNE À DORNE EBRANCHEMENT RAPIDE	TERMINAL DE DESCONEXION RAPIDA
⊕ CONNECTION	CONNEXION	CONEXION
⊖ NO CONNECTION	AUCUNE CONNEXION	SIN CONEXION
⊕⊖ MOTOR SWITCH	INTERRUPTEUR DU MOTEUR	INTERRUPTEUR DEL MOTOR
⊕ SPICE	ÉPISSURE	EMPALME
⊖ MOTOR PROTECTOR	PROTECTEUR DU MOTEUR	PROTECTOR DEL MOTOR
⊕ CHASSIS (CABINET) GROUND	MISE À LA TERRE DU BOMISE TIER	PUESTA A TIERRA DEL CHASSIS (GABINETE)
⊖ SCREW TERMINAL	BORNE À VIS	BORNE DE TORNILLO
⊕ HARNESS CONNECTOR TERMINAL	BORNE À CONNECTEUR DE HARNAIS	TERMINAL CONECTOR DE CONEXIONADO
⊖ INSULATED TERMINAL	BORNE OSOLÉE	TERMINAL AISLADO

FABRIC SELECTOR SWITCH BOUTON DE SELECTION DU TISSU INTERRUPTEUR SELECTOR DE TELAS		CIRCUIT CIRCUIT CIRCUITO				
FUNCTION	FONCTION	FUNCIÓN	1-2	4-3	4-5	6-7
REGULAR	RÉGULIER	RÉGULAR	X	X		
MEDIUM	MOYEN	MEDIO	X	X		
LOW	FAIBLE	BAJO	X	X	X	
AIR FLUFF	DUVETAGE	ESPONNADO CON AIRE				X

NOTES:
 1. ALL WIRING MUST CONFORM TO LOCAL ELECTRICAL CODES.
 2. CONNECT DRYER TO A 15 AMP INDIVIDUAL BRANCH CIRCUIT.
 3. TIMER SHOWN IN OFF POSITION, DOOR SWITCH CLOSED, MOTOR AT REST, THERMOSTAT CLOSED AND FABRIC SELECTOR SWITCH AT REGULAR.

REMARQUES:
 1. TOUT LE CÂBLAGE DOIT RESPECTER LES CODES DE L'ÉLECTRICITÉ LOCALE.
 2. BRANCHER LA SÈCHEUSE À UNE DÉRIVATION DISTINCTE DE 15 AMPÈRES.
 3. MINUTERIE ILLUSTRÉE EN POSITION FERMÉE, INTERRUPTEUR DE LA PORTE FERMÉE, MOTEUR ARRÊTÉ, THERMOSTAT FERMARRÊTÉ ET BOUTON DE SÉLECTION DU TISSU SUR RÉGULIER.

NOTAS:
 1. TODAS LAS INSTALACIONES ALAMBRICAS DEBEN CUMPLIR CON LOS CODIGOS ELECTRICOS LOCALES.
 2. CONECTAR LA SECADORA A UN CIRCUITO DE RAMAL INDIVIDUAL DE 15 AMPERIOS.
 3. EL CRONIZADOR SE MUESTRA EN POSICION APAGADO, EL INTERRUPTEUR DE LA PUERTA CERRADO, EL MOTOR EN REPOSE, EL THERMOSTAT CERRADO Y EL INTERRUPTEUR SELECTOR DE TELAS EN REGULAR.



BAR CHART ABOVE REPRESENTS ONE COMPLETE REVOLUTION OF TIMER SHAFT.
 SHADED PORTION OF BAR CHART INDICATES THE PROPORTIONAL TIMES THAT INTERNAL TIMER CONTACTS ARE CLOSED.
 A PULSAR CAM, LOCATED NEXT TO THE BUZZER CAM AND ROTATING AT 12 REVOLUTIONS PER HOUR, ALLOWS CIRCUITS "X-H" TO CLOSE FOR 5 SECONDS (±3 SECONDS).

LE DIAGRAMME SUR LA GAUCHE REPRÉSENTE UNE ROTATION COMPLÈTE DE L'ARBRE DE LA MINUTERIE.
 LA PARTIE OMBRÉE DU DIAGRAMME INDIQUE LE TEMPS RELATIF PENDANT LEQUEL LES CONTACTS INTERNES DE LA MINUTERIE SONT FERMÉS.
 UNE CAME D'IMPULSION SITUÉE À CÔTÉ DE LA CAME DE L'AVERTISSEUR ET TOURNANT À RAISON DE 12 TOURS À L'HEURE PERMET AU CIRCUIT «X-H» DE SE FERMER PENDANT 5 SECONDES (±3 SECONDES).

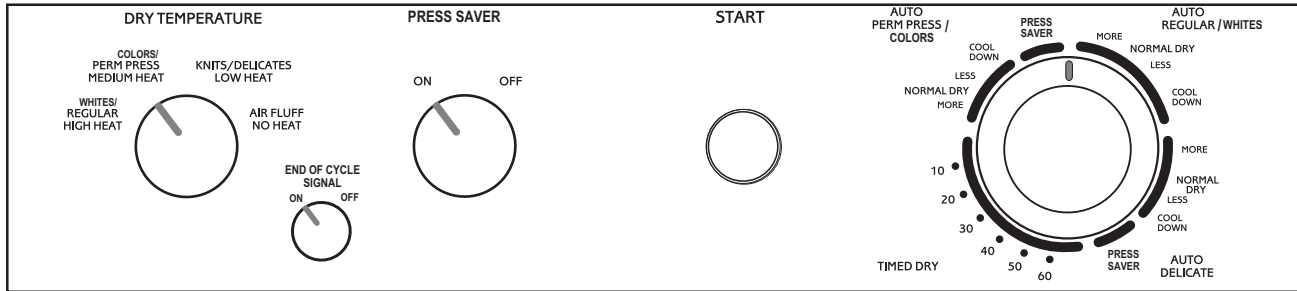
EL GRÁFICO DE BARRAS DE LA IZQUIERDA REPRESENTA UNA REVOLUCIÓN COMPLETA DEL EJE DEL CRONIZADOR.
 LA PORCIÓN SOMBRREADA DEL GRÁFICO DE BARRAS INDICA LOS TIEMPOS PROPORCIONALES QUE LOS CONTACTOS INTERNOS DEL CRONIZADOR ESTAN CERRADOS.
 UNA LEVA GENERADORA DE IMPULSIONES, UBICADA JUNTO A LA LEVA DEL ZUMBADOR Y GIRANDO A 12 REVOLUCIONES POR HORA, PERMITE QUE EL CIRCUITO "X-H" SE CIERRE DURANTE 5 SEGUNDOS (±3 SEGUNDOS).

⊕ 1 OR 2 TIMES IN THIS AREA
 ⊖ 5 TO 7 TIMES IN THIS AREA

⊕ 1 OU 2 FOIS DANS CETTE SECTION
 ⊖ DE 5 À 7 FOIS DANS CETTE SECTION

⊕ 1 Ó 2 VECES EN ESTA AREA
 ⊖ 5 A 7 VECES EN ESTA AREA

SECTION A - OPERATING INSTRUCTIONS



Versión en español

Si desea obtener una copia en español de estas Instrucciones de Funcionamiento, sírvase escribir a la dirección que se incluye a continuación. Solicite la P/N 131972200.

Spanish Owner's Guides
Electrolux Home Products
P. O. Box 212378
Augusta, Georgia 30917

Before Operating Your Dryer

Read your dryer Owner's Guide. It has important safety and warranty information. It also has many suggestions for best drying results.

⚠ WARNING To reduce the risk of fire, electric shock, or injury to persons, read the IMPORTANT SAFETY INSTRUCTIONS in your dryer owner's guide before operating this appliance.

Operating Steps

Read Drying Procedures in your Owner's Guide. It explains these operating steps in detail.

1. Prepare items for drying.
2. Check that lint screen is clean and in place.
3. Load the dryer. If desired, add a dryer fabric softener sheet.
4. Close the dryer door.
5. Set Dry Temperature control. Select PRESS SAVER if desired.
6. Turn cycle selector clockwise to desired setting.
7. Start dryer. Push the Start button and hold for 1-2 seconds, or turn the Turn to Start control clockwise to ON. Hold for 1-2 seconds and release
8. A signal will sound toward the end of the cool down period when the End of Cycle chime is turned on.

9. Remove items immediately and hang or fold.
10. Clean lint screen after every load.

Temperature Selection

Always follow directions on fabric care labels.

⚠ WARNING To avoid fire hazard, do not use heat to dry items containing feathers or down, foam rubber, plastics, or similarly textured, rubber-like materials. Use Air Fluff-No Heat setting only.

The **REGULAR-HIGH HEAT**, **PERM PRESS-MEDIUM HEAT**, and **KNITS/DELICATES-LOW HEAT** temperature settings may be used with any cycle setting. The **AIR FLUFF-NO HEAT** setting can be used only in the Timed Dry cycle.

AIR FLUFF-NO HEAT setting tumbles the load without heat. Use Air Fluff to freshen clothing, pillows or blankets, or to dust draperies.

Cycle Selection

Turn cycle selector clockwise to desired cycle and setting.

Each cycle ends with a cool down period. The heat automatically turns off and the load continues to tumble during the cool down period. This reduces wrinkling and makes items easier to handle during unloading.

Drying time varies depending on size and dampness of load, weight and fabric type. Room temperature and humidity, type of installation and electrical voltage or gas pressure can also affect drying time.

Auto Regular/Whites Cycle

This cycle is best for cotton items. Drying time is determined automatically at the temperature selection of your choice.

- High heat is suggested for cotton items.

- Initially set cycle selector on **NORMAL DRY**.
- For items requiring more drying time, set cycle selector on **MORE**.
- For items requiring less drying time, set cycle selector on **LESS**.

Auto Delicate Cycle

This cycle is best for knit and delicate items. Drying time is determined automatically at the temperature selection of your choice.

- Low heat is suggested for knit and delicate items.
- Initially set cycle selector on **NORMAL DRY**.
- For items requiring more drying time, set cycle selector on **MORE**.
- For items requiring less drying time, set cycle selector on **LESS**.
- A signal will sound toward the end of the cool down period when the End of Cycle chime is turned on.
- If the **Press Saver** option is turned on, the cycle selector will advance to the **Press Saver** setting. Unheated tumbling continues during **Press Saver** for 16 minutes to help reduce wrinkling if the dried load cannot be removed promptly. A signal will sound briefly every five minutes as a reminder to remove the load when the End of Cycle chime is turned on.

Timed Dry Regular Cycle

This cycle provides approximately 60 minutes of drying time at the temperature selection of your choice.

Auto Perm Press/Colors Cycle

This cycle is best for permanent press items. Drying time is determined automatically at the temperature selection of your choice.

- Medium heat is suggested for permanent press items.
- Initially set cycle selector on **NORMAL DRY**.
- For items requiring more drying time, set cycle selector on **MORE**.
- For items requiring less drying time, set cycle selector on **LESS**.

- A signal will sound toward the end of the cool down period when the End of Cycle chime is turned on.
- If the **Press Saver** option is turned on, the cycle selector will advance to the **Press Saver** setting. Unheated tumbling continues during **Press Saver** for 16 minutes to help reduce wrinkling if the dried load cannot be removed promptly. A signal will sound briefly every five minutes as a reminder to remove the load when the End of Cycle chime is turned on.

Energy Saving Tips

- Keep the lint screen clean and exhaust the dryer correctly.
- Sort laundry properly and select proper temperature and cycle settings. Choose an automatic dry cycle whenever possible for accurate drying time.
- Dry only full loads. Single items and small loads usually take longer to dry.
- Avoid overloading, adding wet items to a partially dry load, and overdrying.
- Dry one load after another to take advantage of a warm dryer.
- Opening the door needlessly causes warm air to escape, which prolongs drying time.
- If possible, use the dryer on low humidity days.
- Install the dryer in an area where the room temperature is at least 45°F (7°C).

SECTION B - OWNERS GUIDE

⚠ WARNING For your safety, the information in this manual must be followed to minimize the risk of fire or explosion or to prevent property damage, personal injury or loss of life.

- Do not store or use gasoline or other flammable vapors and liquids in the vicinity of this or any other appliance.
- **WHAT TO DO IF YOU SMELL GAS:**
 - Do not try to light any appliance.
 - Do not touch any electrical switch; do not use any phone in your building.
 - Clear the room, building or area of all occupants.
 - Immediately call your gas supplier from a neighbor's phone. Follow the gas supplier's instructions.
 - If you cannot reach your gas supplier, call the fire department.

Installation and service must be performed by a qualified installer, service agency or the gas supplier.

Versión en español

Si desea obtener una copia en español de este Manual del Usuario, sírvase escribir a la dirección que se incluye a continuación. Solicite la P/N 131878600.

Spanish Owner's Guides
Frigidaire Home Products
P.O. Box 212378
Augusta, GA 30917

Product Registration

Thank you for choosing this dryer. This owner's guide will explain proper operation and care.

Record Your Model and Serial Numbers

Record below the model and serial numbers found on the dryer serial plate located on the left side of the door opening. Keep these numbers for future reference.

Model Number _____

Serial Number _____

Date of Purchase _____

Register Your Product

The self-addressed **PRODUCT REGISTRATION CARD** should be filled in completely, signed and returned.

Important Safety Instructions

Read all instructions before using this dryer.

⚠ WARNING To reduce the risk of fire, electrical shock, or injury to persons when using this dryer, comply with the basic warnings listed below.

⚠ Failure to comply with these warnings could result in serious personal injuries.

Prevent Fire

⚠ WARNING Do not dry items that have been previously cleaned in, soaked in, or spotted with gasoline, cleaning solvents, kerosene, waxes, etc. Do not store these items on or near the dryer. These substances give off vapors that could ignite or explode.

⚠ WARNING To prevent fire, do not use heat to dry items containing plastic, foam rubber or similarly textured rubber-like materials, or items containing feathers or down. Use Air Fluff (No Heat) only.

⚠ WARNING Clean the lint screen before or after each load. The interior of the dryer, lint screen housing and exhaust duct should be cleaned approximately every 18 months by qualified service personnel. An excessive amount of lint build-up in these areas could result in inefficient drying and possible fire. See **Care and Cleaning**, page 6.

⚠ WARNING Do not operate the dryer if the lint screen is blocked, damaged or missing. Fire hazard, overheating and damage to fabrics can occur. If your dryer has a drying rack, always replace the lint screen when finished using the drying rack.

⚠ WARNING Keep area around the exhaust opening and surrounding areas free from the accumulation of lint, dust and dirt.

⚠ WARNING Do not obstruct the flow of ventilating air. Do not stack or place laundry or throw rugs against the front or back of the dryer.

⚠ WARNING Do not spray any type of aerosol into, on or near dryer at any time.

⚠ WARNING Do not use fabric softeners or products to eliminate static unless recommended by the manufacturer of the fabric softener or product.

⚠ WARNING Do not place items exposed to cooking oils in your dryer. Items contaminated with cooking oils may contribute to a chemical reaction that could cause a load to catch fire.

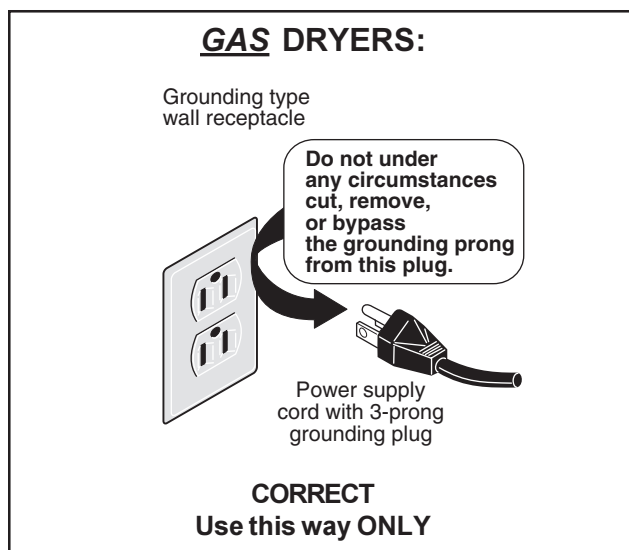
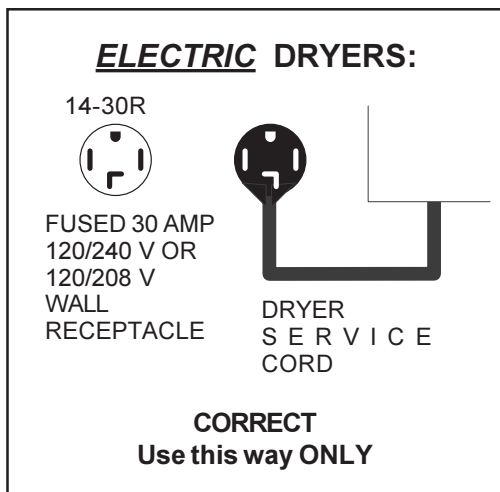
⚠ Failure to comply with these warnings could result in fire, explosion, serious bodily injury and/or damage to the rubber or plastic parts of the dryer.

This Owner's Guide provides general operating instructions for your dryer. It also contains information about features for several other models. Your dryer may not have every feature included.

Use the dryer only as instructed in this Owner's Guide and the **Operating Instructions** card included with your dryer.

⚠ WARNING Avoid fire hazard or electrical shock. Do not use an adaptor plug or extension cord or remove grounding prong from electrical power cord. Failure to follow this warning can cause serious injury, fire or death.

Note: The instructions appearing in this Owner's Guide are not meant to cover every possible condition and



situation that may occur. Common sense and caution must be practiced when installing, operating and maintaining any appliance.

Protect Children

⚠ WARNING Do not allow children to play on or in the dryer. Close supervision of children is necessary when the dryer is used near children. As children grow, teach them the proper, safe use of all appliances.

⚠ WARNING Destroy the carton, plastic bag and other packing materials after the dryer is unpacked. Children might use them for play. Cartons covered with rugs, bedspreads or plastic sheets can become airtight chambers.

⚠ WARNING Keep laundry products out of children's reach. To prevent personal injury, observe all warnings on product labels.

⚠ WARNING Before the dryer is removed from service or discarded, remove the dryer door to prevent accidental entrapment.

⚠ Failure to comply with these warnings could result in serious personal injuries.

Prevent Injury

⚠ WARNING To prevent shock hazard and assure stability during operation, the dryer must be installed and electrically grounded by a qualified service person in accordance with local codes. Installation instructions are packed in the dryer for the installer's reference. Refer to **INSTALLATION INSTRUCTIONS** for detailed grounding procedures. If the dryer is moved to a new

location, have it checked and reinstalled by a qualified service person.

⚠ WARNING To prevent personal injury or damage to the dryer, the electrical power cord of a gas dryer must be plugged into a properly grounded and polarized 3-prong outlet. **The third grounding prong must never be removed. Never ground the dryer to a gas pipe. Do not use an extension cord or an adaptor plug.**

⚠ WARNING **ALWAYS disconnect** the dryer from the electrical supply before attempting any service or cleaning. Failure to do so can result in electrical shock or injury.

⚠ WARNING Do not use any type spray cleanser when cleaning dryer interior. Hazardous fumes or electrical shock could occur.

⚠ WARNING To prevent injury, do not reach into the dryer if the drum is moving. Wait until the dryer has stopped completely before reaching into the drum.

⚠ WARNING To prevent injury and damage to the dryer:

- **All repairs and servicing must be performed by an authorized servicer** unless specifically recommended in this Owner's Guide. Use only authorized factory parts.
- **Do not** tamper with controls.
- **Do not** install or store the dryer where it will be exposed to the weather.

⚠ A thermal limiter switch automatically turns off the motor in the unlikely event of an overheated situation (electric dryers only). A service technician must replace the thermal limiter switch after correcting the fault.

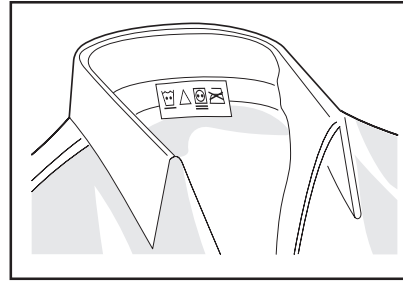
⚠ Failure to comply with these warnings could result in serious personal injuries.

SAVE THESE INSTRUCTIONS

Drying Procedures

- Follow the guidelines below for preparing the load for drying.
- Read the **Operating Instructions** card for operating your specific model.

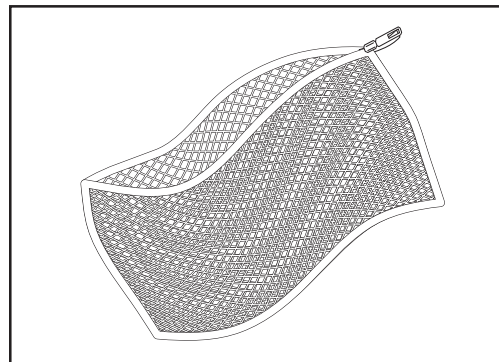
- **Always read and follow fabric care labels and laundry product labels.**



⚠ WARNING To reduce the risk of fire, electrical shock, or injury to persons, read **Important Safety Instructions** before operating this dryer.

1. Prepare items for drying.

- Dry items of similar fabric, weight and construction in the same load.
- Separate dark items from light-colored items. Separate items that shed lint from those that attract lint. If an item sheds lint, turn it inside out.
- Be sure buckles, buttons and trim are heatproof and won't damage the drum finish. Close zippers, fasten hooks and Velcro®-like fasteners. Tie strings and sashes to prevent snagging and tangling.
- If possible, turn pockets inside out for even drying.
- Check for stains which may not have been removed in washing. Dryer heat may permanently set some stains. Repeat stain removal process before drying.
- Place small items in a mesh bag to prevent tangling and for easy removal.



2. Check that lint screen is clean and in place.

3. Load the dryer.

- The average load will fill the drum 1/3 to 1/2 full. Items need room to tumble freely for even drying and less wrinkling. **Do not overload dryer.**



- When drying large items, dry only 2 or 3 at a time. Fill out the load with small and medium sized items.
- For delicate or very small loads, add 2 lint-free towels for better drying, less wrinkling, and to prevent grease stains caused by fabric softener sheets.
- Do not overdry items. Overdrying can cause wrinkling, shrinkage, harshness, and a build-up of static electricity, which can produce more lint.
- If desired, add a dryer fabric softener sheet.

4. Close the dryer door and set dryer controls (some models).

See **Operating Instructions** card for your specific model controls.

5. Turn cycle selector clockwise to the desired setting.

6. Start the dryer.

- Push Start Button for 2 seconds or turn the START knob clockwise to ON, hold for 1-2 seconds and release.
- To add or remove items when the dryer is running, open the door. The dryer will always stop when the door is opened. Allow the drum to come to a complete stop before reaching inside.
- To restart dryer, close the door then push the Start Button for 2 seconds or turn the START

knob clockwise to ON, hold for 1-2 seconds and release.

- The dryer will not start if the cycle selector is in the OFF position.

7. When the cycle ends, remove items immediately and hang or fold. If load is removed before the cycle ends, turn cycle selector to OFF.

Features

Cycle Signal Control (some models)

When the Cycle Signal Control is ON, a signal will sound at the end of each cycle and during the Press Saver setting (some models). The volume is adjustable on some models.

Drum Light (some models)

A drum light will come on whenever the door is opened to illuminate the dryer drum during loading and unloading. Closing the door turns off the light.

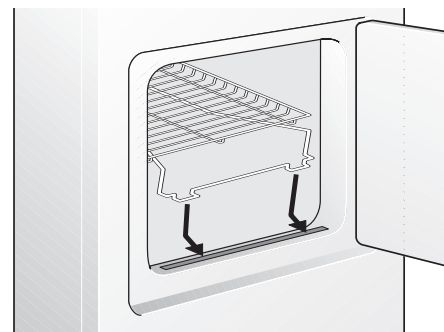
Reversible Dryer Door

Your dryer is equipped with a reversible door. The door can be hinged on the right or left side. Refer to the **INSTALLATION INSTRUCTIONS** for directions on changing the door.

Drying Rack (some models)

Use the drying rack to dry items which should not be tumble dried.

1. Open the dryer door and remove the lint screen.
2. Insert drying rack into the dryer drum. Place the front bar under the lip of the lint screen opening.



3. Place items to be dried on top of the rack. Weight should not exceed 10 lbs. Leave space between

items, but do not let items hang over the sides or through the grids. Do not tumble other items when using the drying rack.

4. Select a timed dry setting best suited for items being dried. Use only the Air Fluff (no heat) temperature setting for items containing plastic,

foam rubber, rubber-like materials, feathers or down.

5. When items are dry, remove the rack and replace the lint screen. If lint screen is not in place, tumbling items could enter the exhaust system and cause damage to the dryer.

Common Drying Problems

Many drying problems involve poor cleaning results, poor soil and stain removal, residues of lint and scum, and fabric damage. For satisfactory drying results, follow these suggestions provided by The Soap and Detergent Association.

PROBLEM	POSSIBLE CAUSES	SOLUTIONS	PREVENTIVE MEASURES
Greasy, oily stains	<ul style="list-style-type: none"> • Fabric softener sheet. 	<ul style="list-style-type: none"> • Rub fabric softener stains with bar soap. Rinse and rewash. 	<ul style="list-style-type: none"> • Add a few bath towels to small loads for proper tumbling. • Some "silk-like" fabrics should be air dried. • Use proper drying temperature. • Place fabric softener sheet on top of load before starting the dryer.
Lint	<ul style="list-style-type: none"> • Overloading. • Overdrying causes static electricity. • Lint screen not clean when cycle began. • Lint is attached to "pills." 	<ul style="list-style-type: none"> • Reduce load size and rewash using liquid fabric softener in the final rinse. • Or, add a fabric softener sheet and tumble without heat. • Use lint brush or roller to remove lint. 	<ul style="list-style-type: none"> • Do not overload dryer. • Use fabric softener in washer or dryer to reduce static electricity. • Remove items when they are slightly damp to avoid overdrying. • Check that lint screen is clean and in place.
Pilling (Fibers break off, ball up and cling to fabric.)	<ul style="list-style-type: none"> • Pilling is normal with synthetic and permanent press fabrics. This is due to abrasion from normal wear. 	<ul style="list-style-type: none"> • Use a lint brush or shaver to remove pills. 	<ul style="list-style-type: none"> • Use fabric softener to lubricate fibers. • When ironing, use spray starch or fabric finish on collars and cuffs. • Turn items inside out to reduce abrasion.
Shrinking	<ul style="list-style-type: none"> • Overdrying. 	<ul style="list-style-type: none"> • Irreversible condition. 	<ul style="list-style-type: none"> • Follow fabric care label directions. • If shrinking is a concern, check load often. • Remove items while slightly damp and hang or lay flat to complete drying. • Block knits into shape.
Wrinkling	<ul style="list-style-type: none"> • Overloading. • Leaving items in dryer after cycle ends. 	<ul style="list-style-type: none"> • Reduce load size and tumble at medium or low heat for 5-10 minutes. • Remove items immediately. Hang or fold. 	<ul style="list-style-type: none"> • Do not overload dryer. • Remove items as soon as cycle ends.

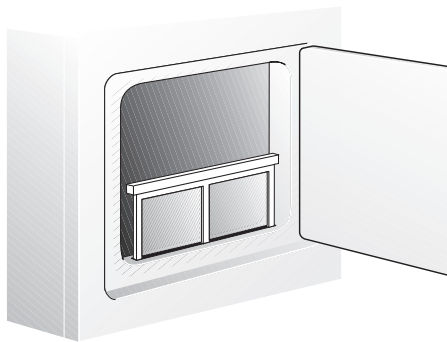
Care and Cleaning

⚠ WARNING To reduce risk of fire or serious injury to persons or property, comply with the basic warnings listed in **Important Safety Instructions** and those listed below.

- Before cleaning the dryer interior, **unplug the electrical power cord** to avoid electrical shock hazards.
- Do not use any type spray cleanser when cleaning dryer interior. Hazardous fumes or electrical shock could occur.

Inside

- Clean the lint screen after every load. Lint build-up in the screen restricts air flow, which causes longer drying times. The screen is located at the bottom of the door opening. Remove by pulling straight up. Remove the lint and replace the screen.



- Occasionally a waxy build-up may form on the lint screen from using dryer-added fabric softener sheets. To remove this build-up, wash the lint screen in warm, soapy water. Dry thoroughly and replace. Do not operate the dryer without the lint screen in place.
- If the dryer drum becomes stained from noncolorfast fabrics, clean the drum with a damp cloth and a mild liquid household cleanser. Remove cleanser residue before drying the next load.
- Every 18 months an authorized servicer should clean the dryer cabinet interior and exhaust duct. These areas can collect lint and dust over time. An excessive amount of lint build-up could result in inefficient drying and possible fire hazard.

Outside

- Clean the cabinet with mild soap and water. **Never use harsh, gritty or abrasive cleansers.**
- If the cabinet becomes stained, clean with diluted chlorine bleach [1/2 cup (120 ml) in 1 quart (.95 liter) water]. Rinse several times with clear water.
- Remove glue residue from tape or labels with a mixture of warm water and mild detergent. Or, touch residue with the sticky side of the tape or label.
- **Before moving the dryer**, place a strip of cardboard or thin fiberboard under the front leveling legs to prevent damage to floor.



Do not store or place laundry products on top of dryer at any time. They can damage the finish or controls.

Avoid Service Checklist

Before calling for service, review this list. It may save both time and expense. The list includes common occurrences that are not the result of defective workmanship or materials in this dryer.

OCCURRENCE	POSSIBLE CAUSE	SOLUTION
Dryer does not start.	Electrical power cord is not securely plugged in or plug may be loose.	Make sure the plug fits tightly in wall outlet.
	House fuse blown or circuit breaker tripped.	Reset circuit breaker or replace fuse. Make sure electrical line is not overloaded and the dryer is on a separate circuit.
	Thermal limiter tripped.	Call authorized service person for replacement.
Dryer runs but won't heat.	There are 2 house fuses in the dryer circuit. If 1 of the 2 fuses is blown, the drum may turn but the heater will not operate.	Replace fuse.
	Gas supply valve is not open (gas models).	Check to make sure supply valve is open. See INSTALLATION INSTRUCTIONS for procedure.
	Dryer does not have enough air supply to support the burner flame (gas models).	See INSTALLATION INSTRUCTIONS.
	LP gas supply tank is empty or there has been a utility interruption of natural gas (gas models).	Refill or replace tank. Dryer should heat when utility service is restored.
Drying cycle takes too long, outside of the dryer feels too hot or smells hot.	Lint screen is clogged with lint.	Make sure all lint has been removed from the dryer lint screen before starting each cycle.
	Exhaust duct requirements have not been met.	Exhaust duct must be at least 4 inches in diameter and made of rigid or flexible metal. When in place, the duct must have no more than two 90° bends and must not exceed length listed in INSTALLATION INSTRUCTIONS.
	Electric dryer is connected to a 208 volt circuit.	Drying time will be 20% longer than drying on a 240 volt circuit.
	Drying procedures have not been followed.	See Drying Procedures .
	Outside exhaust hood or exhaust duct may be clogged or restricted.	Clean out any obstruction.
	High humidity.	Use a dehumidifier near the dryer.
Excessive wrinkling.	Dryer is overloaded.	Do not overload. See Drying Procedures .
	Items left in dryer too long.	Remove items as soon as cycle ends.
	Insufficient sorting of items.	See Drying Procedures .
	Drying temperature too high.	Follow fabric care label instructions.

Avoid Service Checklist

Before calling for service, review this list. It may save both time and expense. The list includes common occurrences that are not the result of defective workmanship or materials in this dryer.

OCCURRENCE	POSSIBLE CAUSE	SOLUTION
Scratching or chipping of the drum finish.	Foreign objects such as coins, pins, clips or buttons are inside the dryer. Permanently attached items such as belt buckles, zippers and fasteners may be hitting the inside of the drum.	Always remove foreign objects from pockets before laundering. Remove objects from drum and restart dryer. It may be necessary to baste a scrap of material securely around ornaments before drying to prevent scratching and damage to the dryer. Drum damage caused by foreign objects or permanently attached items is not covered by the warranty.

FRIGIDAIRE DRYER WARRANTY

Your Frigidaire product is protected by this warranty

Sample warranty - always check warranty with product

	WARRANTY PERIOD	FRIGIDAIRE, THROUGH ITS AUTHORIZED SERVICERS, WILL:	THE CONSUMER WILL BE RESPONSIBLE FOR:
FULL ONE-YEAR WARRANTY	One year from original purchase date.	Pay all costs for repairing or replacing any parts of this appliance which prove to be defective in materials or workmanship.	Costs of service calls that are listed under IMPORTANT RESPONSIBILITIES OF THE CONSUMER.*
LIMITED WARRANTY (Applicable to the State of Alaska)	Time period listed above.	All of the provisions of the full warranty above and the exclusions listed below apply.	Costs of the technician's travel to the home and any costs for pick up and delivery of the appliance required because of service.

Your appliance is warranted by Frigidaire Home Products, a division of White Consolidated Industries, Inc. We authorize no person to change or add to any of our obligations under this warranty. Our obligations for service and parts under this warranty must be performed by Frigidaire or an authorized Frigidaire servicer.

***IMPORTANT RESPONSIBILITIES OF THE CONSUMER**

This warranty applies only to products in ordinary household use, and the consumer is responsible for the items listed below:

1. Proper use of the appliance in accordance with instructions provided with the product.
2. Proper installation by an authorized servicer in accordance with instructions provided with the appliance and in accordance with all local plumbing, electrical and/or gas codes.
3. Proper connection to a grounded power supply of sufficient voltage, replacement of blown fuses, repair of loose connections or defects in house wiring.
4. Expenses for making the appliance accessible for servicing, such as removal of trim, cupboards, shelves, etc., which are not a part of the appliance when it was shipped from the factory.
5. Damages to finish after installation.
6. Replacement of light bulbs and/or fluorescent tubes (on models with these features).

EXCLUSIONS

This warranty does not cover the following:

1. CONSEQUENTIAL OR INCIDENTAL DAMAGES SUCH AS PROPERTY DAMAGE AND INCIDENTAL EXPENSES RESULTING FROM ANY BREACH OF THIS WRITTEN OR ANY IMPLIED WARRANTY.
Note: Some states do not allow the exclusion or limitation of incidental or consequential damages, so this limitation or exclusion may not apply to you.
2. Service calls which do not involve malfunction or defects in workmanship or material, or for appliances not in ordinary household use. The consumer shall pay for such service calls.
3. Damages caused by services performed by servicers other than Frigidaire or its authorized servicers; use of parts other than genuine Frigidaire Home Products parts; obtained from persons other than such servicers; or external causes such as abuse, misuse, inadequate power supply or acts of God.
4. Products with original serial numbers that have been removed or altered and cannot be readily determined.

Keep your bill of sale, delivery slip, or some other appropriate payment record. The date on the bill establishes the warranty period should service be required. If service is performed, it is in your best interest to obtain and keep all receipts. This written warranty gives you specific legal rights. You may also have other rights that vary from state to state. Service under this warranty must be obtained by contacting Frigidaire Home Products:

IF YOU NEED SERVICE

800 • 944 • 9044
Frigidaire Home Products
P.O. Box 212378
Augusta, GA 30917



Product features or specifications as described or illustrated are subject to change without notice. All warranties are made by White Consolidated Industries, Inc. This warranty applies only in the 50 states of the U.S.A. and Puerto Rico.

SECTION B - INSTALLATION INSTRUCTIONS GAS & ELECTRIC DRYER



Before beginning installation, carefully read these instructions. This will simplify the installation and ensure the dryer is installed correctly and safely. Leave these instructions near the Dryer after installation for future reference.

NOTE: The electrical service to the Dryer must conform with local codes and ordinances and the latest edition of the National Electrical Code, ANSI/NFPA 70 or in Canada, CSA C22.1 Canadian Electrical Code Part 1.

NOTE: The gas service to the Dryer must conform with local codes and ordinances and the latest edition of the National Fuel Gas Code ANSI Z223.1 or in Canada, CAN/CGA B149.12.

NOTE: The Dryer is designed under ANSI Z 21.5.1 or ANSI/UL 2158 - CAN/CSA C22.2 (latest editions) for HOME USE only. This Dryer is not recommended for commercial applications such as restaurants **or beauty salons, etc.**

! WARNING For your safety the information in this manual must be followed to minimize the risk of fire or explosion or to prevent property damage, personal injury or loss of life.

- Do not store or use gasoline or other flammable vapors and liquid in the vicinity of this or any other appliance.
- WHAT TO DO IF YOU SMELL GAS
 - Do not try to light any appliance.
 - Do not touch any electrical switch; do not use any phone in your building.
 - Clear the room, building or area of all occupants.
 - Immediately call your gas supplier from a neighbor's phone. Follow the gas supplier's instructions.
 - If you cannot reach your gas supplier, call the fire department.

Installation and service must be performed by a qualified installer, service agency or the gas supplier.

PRE-INSTALLATION REQUIREMENTS

Tools and Materials Required for Installation:

1. Phillips head screwdriver.
2. Channel-lock adjustable pliers.
3. Carpenter's level.
4. Flat or straight blade screwdriver.
5. Duct tape.
6. Rigid or flexible metal 4 inch (10.2 cm) duct.
7. Vent hood.
8. Pipe thread sealer (Gas).
9. Plastic knife
10. 1/2 inch open end wrench.

ELECTRICAL REQUIREMENTS

ELECTRIC Dryer

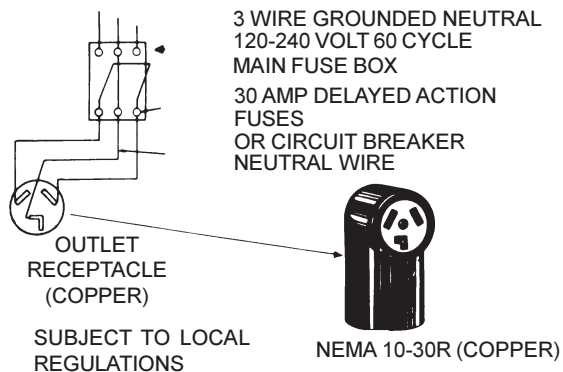
CIRCUIT - Individual 30 amp. branch circuit fused with 30 amp. minimum time delay fuses or circuit breakers.

POWER SUPPLY - 3 wire, 240 volt, single phase, 60 Hz, Alternating Current. (Canada - 240 volt, single phase, 60 Hz, Alternating Current.)

POWER SUPPLY CORD KIT - The dryer **MUST** employ a 3-conductor power supply cord NEMA 10-30 type SRDT rated at 240 volt AC minimum, 30 amp., with 3 open end spade lug connectors with upturned ends or closed loop connectors and marked for use with clothes dryers. If being installed in a manufactured (mobile) home, the dryer **MUST** employ a 4-conductor power supply cord NEMA 14-30 type SRDT or ST (as required) rated at 240 volt AC minimum, 30 amp., with 4 open end spade lug connectors with upturned ends or closed loop connectors and marked for use with clothes dryers. See ELECTRICAL CONNECTIONS FOR A 4-WIRE SYSTEM.

(Canada - 4-wire power supply cord is installed on dryer.)

OUTLET RECEPTACLE - NEMA 10-30R receptacle to be located so the power supply cord is accessible when the dryer is in the installed position. (Canada - NEMA 14-30R receptacle.)



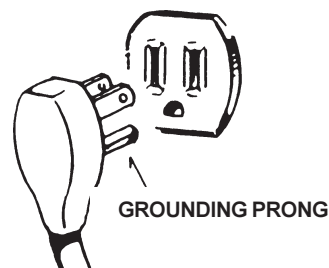
GAS Dryer

CIRCUIT - Individual 15 amp. branch circuit fused with a 15 amp. maximum time delay fuse or circuit breaker.

POWER SUPPLY - 3 wire, 120 volt single phase, 60 Hz, Alternating Current.

POWER SUPPLY CORD - The dryer is equipped with a 120 volt 3-wire power cord.

NOTE: Do not under any circumstances remove grounding prong from plug.



EXHAUST SYSTEM REQUIREMENTS

Use only 4 inch (10.2 cm) diameter (minimum) rigid or flexible metal duct and approved vent hood which has a swing-out damper(s) that open when the dryer is in operation. When the dryer stops, the dampers automatically close to prevent drafts and the entrance of insects and rodents. To avoid restricting the outlet, maintain a minimum of 12 inches (30.5 cm) clearance between the vent hood and the ground or any other obstruction.

⚠ WARNING The following are specific requirements for proper and safe operation of your dryer. Failure to follow these instructions can create excessive drying times and fire hazards.

⚠ Do not use plastic flexible duct to exhaust the dryer. Excessive lint can build up inside exhaust system and create a fire hazard and restrict air flow. Restricted air flow will increase dryer times. If your present system is made up of plastic duct or metal foil duct, replace it with a rigid or flexible metal duct. **Ensure the present duct is free of any lint prior to installing dryer duct.**

⚠ If the dryer is not exhausted outdoors, some fine lint will be expelled into the laundry area. An accumulation of lint in any area of the home can create

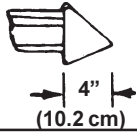

a health and fire hazard. **The dryer exhaust system MUST be exhausted to the outside of the dwelling!**

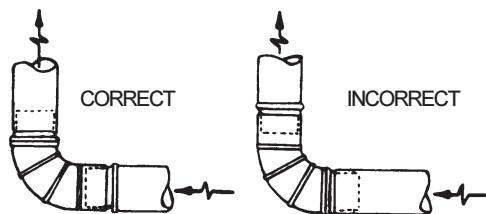
⚠ Do not allow combustible materials (for example: clothing, draperies/curtains, paper) to come in contact with exhaust system. The dryer **MUST NOT** be exhausted into a chimney, a wall, a ceiling, or any concealed space of a building which can accumulate lint, resulting in a fire hazard.

⚠ Exceeding the length of duct pipe or number of elbows allowed in the "MAXIMUM LENGTH" charts can cause an accumulation of lint in the exhaust system. Plugging the system could create a fire hazard, as well as increase drying times.

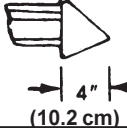

⚠ Do not screen the exhaust ends of the vent system, nor use any screws or rivets to assemble the exhaust system. Lint can become caught in the screen, on the screws or rivets, clogging the duct work and creating a fire hazard as well as increasing drying times. Use an approved vent hood to terminate the duct outdoors, and seal all joints with duct tape. All male duct pipe fittings **MUST** be installed downstream with the flow of air.

⚠ WARNING Explosion hazard. Do not install the dryer where gasoline or other flammables are kept or stored. If the dryer is installed in a garage, it must be a minimum of 18 inches (45.7 cm) above the floor. Failure to do so can result in death, explosion, fire or burns.

Number of 90° Turns	MAXIMUM LENGTH of 4" (10.2 cm) Dia. Rigid Metal Duct		
	VENT HOOD TYPE (Preferred)		
	 4" (10.2 cm)	Louvered	 2 1/2" (6.35 cm)
0	60 ft. (18.28 m)		48 ft. (14.63 m)
1	52 ft. (15.84 m)		40 ft. (12.19 m)
2	44 ft. (13.41 m)		32 ft. (9.75 m)
3	32 ft. (9.75 m)		24 ft. (7.31 m)
4	28 ft. (8.53 m)		16 ft. (4.87 m)



INSTALL MALE FITTINGS IN CORRECT DIRECTION

Number of 90° Turns	MAXIMUM LENGTH of 4" (10.2 cm) Dia. Flexible Metal Duct		
	VENT HOOD TYPE (Preferred)		
	 4" (10.2 cm)	Louvered	 2 1/2" (6.35 cm)
0	30 ft. (9.14 m)		18 ft. (5.49 m)
1	22 ft. (6.71 m)		14 ft. (4.27 m)
2	14 ft. (4.27 m)		10 ft. (3.05 m)
3	NOT RECOMMENDED		

In installations where the exhaust system is not described in the charts, the following method must be used to determine if the exhaust system is acceptable:

1. Connect an inclined or digital manometer between the dryer and the point the exhaust connects to the dryer.
2. Set the dryer timer and temperature to air fluff (cool down) and start the dryer.
3. Read the measurement on the manometer.
4. The system back pressure **MUST NOT** be higher than 0.75 inches of water column. If the system back pressure is less than 0.75 inches of water column, the system is acceptable. If the manometer reading is higher than 0.75 inches of water column, the system is too restrictive and the installation is unacceptable.

Although vertical orientation of the exhaust system is acceptable, certain extenuating circumstances could affect the performance of the dryer:

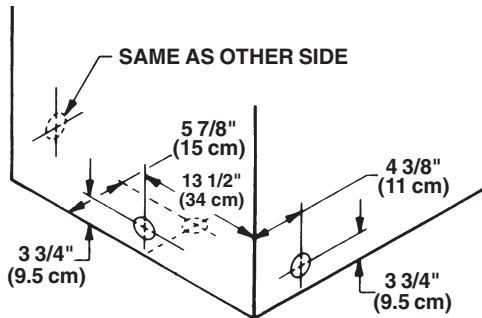
- Only the rigid metal duct work should be used.
- Venting vertical through a roof may expose the exhaust system to down drafts causing an increase in vent restriction.
- Running the exhaust system through an uninsulated area may cause condensation and faster accumulation of lint.
- Compression or crimping of the exhaust system will cause an increase in vent restriction.

The exhaust system should be inspected and cleaned a minimum of every 18 months with normal usage. The more the dryer is used, the more often you should check the exhaust system and vent hood for proper operation.

EXHAUST DIRECTION

All dryers shipped from the factory are set up for rear exhausting. However, on electric dryers, exhausting can be to the right or left side of the cabinet or the bottom of the dryer. On gas dryers, exhausting can be to the right side of the cabinet or the bottom of the dryer. Directional exhausting can be accomplished by installing Exhaust Kit, P/N 131456800, available through your parts distributor. Follow the instructions supplied with the kit.

EXHAUST DUCT LOCATING DIMENSIONS



GAS SUPPLY REQUIREMENTS

! WARNING Replace copper connecting pipe that is not plastic-coated. Stainless steel or plastic-coated brass **MUST** be used.

1. Installation **MUST** conform with local codes, or in the absence of local codes, with the National Fuel Gas Code, ANSI Z223.1 (latest edition) or in Canada, the current CAN/CGA B149.
2. The gas supply line should be of 1/2 inch (1.27 cm) pipe.
3. If codes allow, flexible metal tubing may be used to connect your dryer to the gas supply line. The tubing **MUST** be constructed of stainless steel or plastic-coated brass.
4. The gas supply line **MUST** have an individual shutoff valve.
5. A 1/8 inch (0.32 cm) N.P.T. plugged tapping, accessible for test gauge connection, **MUST** be installed immediately upstream of the gas supply connection to the dryer.
6. The dryer **MUST** be disconnected from the gas supply piping system during any pressure testing of the gas supply piping system at test pressures in excess of 1/2 psig (3.45 kPa).

7. The dryer **MUST** be isolated from the gas supply piping system during any pressure testing of the gas supply piping system at test pressures equal to or less than 1/2 psig (3.45 kPa).

LOCATION OF YOUR DRYER

DO NOT INSTALL YOUR DRYER:

1. In an area exposed to dripping water or outside weather conditions.
2. In an area where it will come in contact with curtains, drapes, or anything that will obstruct the flow of combustion and ventilation air.
3. On carpet. Floor **MUST** be solid with a maximum slope of 1 inch (2.54 cm).

INSTALLATION IN RECESS OR CLOSET

1. A dryer installed in a bedroom, bathroom, recess or closet, **MUST** be exhausted outdoors.
2. No other fuel burning appliance shall be installed in the same closet as the Gas dryer.
3. Your dryer needs the space around it for proper ventilation.

DO NOT INSTALL YOUR DRYER IN A CLOSET WITH A SOLID DOOR.

4. A minimum of 120 square inches (774.2 square cm) of opening, equally divided at the top and bottom of the door, is required. Air openings are required to be unobstructed when a door is installed. A louvered door with equivalent air openings for the full length of the door is acceptable.

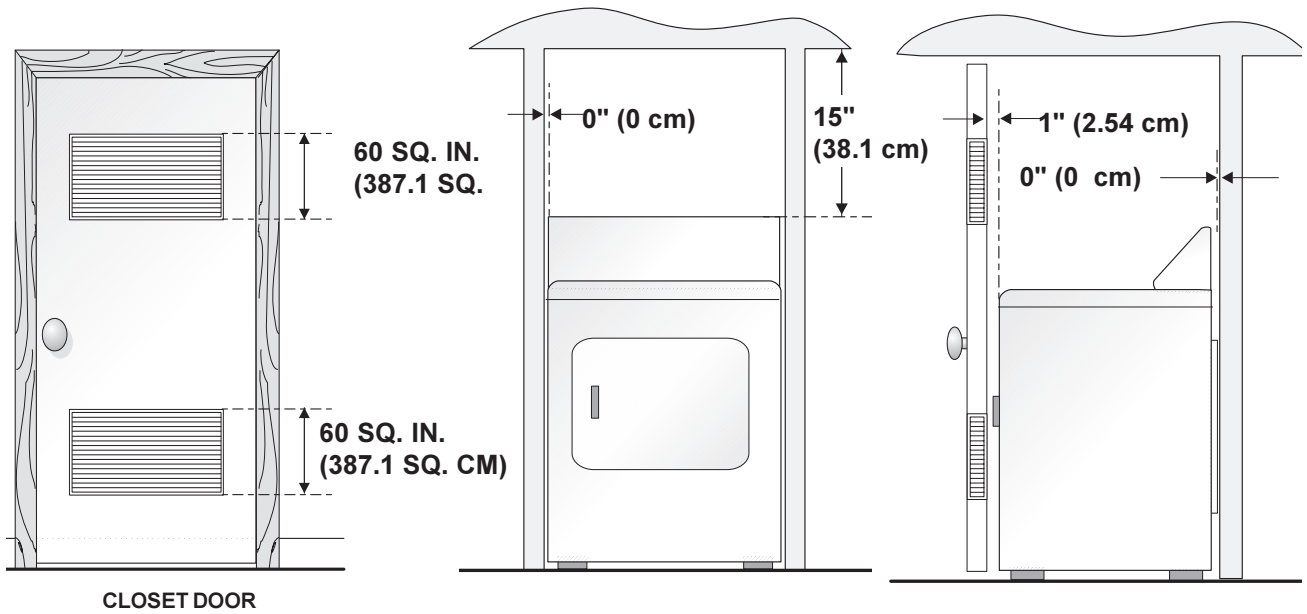
MINIMUM INSTALLATION CLEARANCES (Inches)

	<u>FRONT</u>	<u>SIDES</u>	<u>REAR</u>	<u>TOP</u>
Alcove or Under counter	0 (0 cm)	0 (0 cm)	0 (0 cm)	15 (38.1 cm)
Closet	1 (2.54 cm)	0 (0 cm)	0 (0 cm)	15 (38.1 cm)

Closet door ventilation required: 2 louvered openings each 60 square inches (387 square centimeters) — 3 inches (7.6 cm) from bottom and top of door.

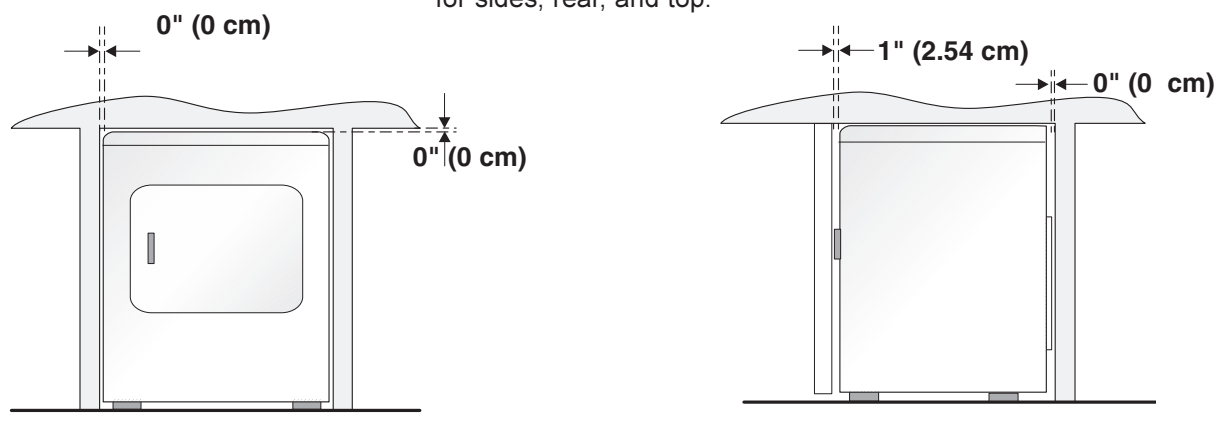
THIS DRYER MUST BE EXHAUSTED OUTDOORS.

5. The following illustrations show minimum clearance dimensions for proper operation in a recess or closet installation.



CLOSET DOOR

NOTE: Under counter and stack models - 0 inches (0 cm) for sides, rear, and top.



UNDER COUNTER INSTALLATION

If an under counter* installation is desired, the dryer **MUST** have a top sheet kit installed, P/N 131629100. Kit is available from an authorized parts distributor.

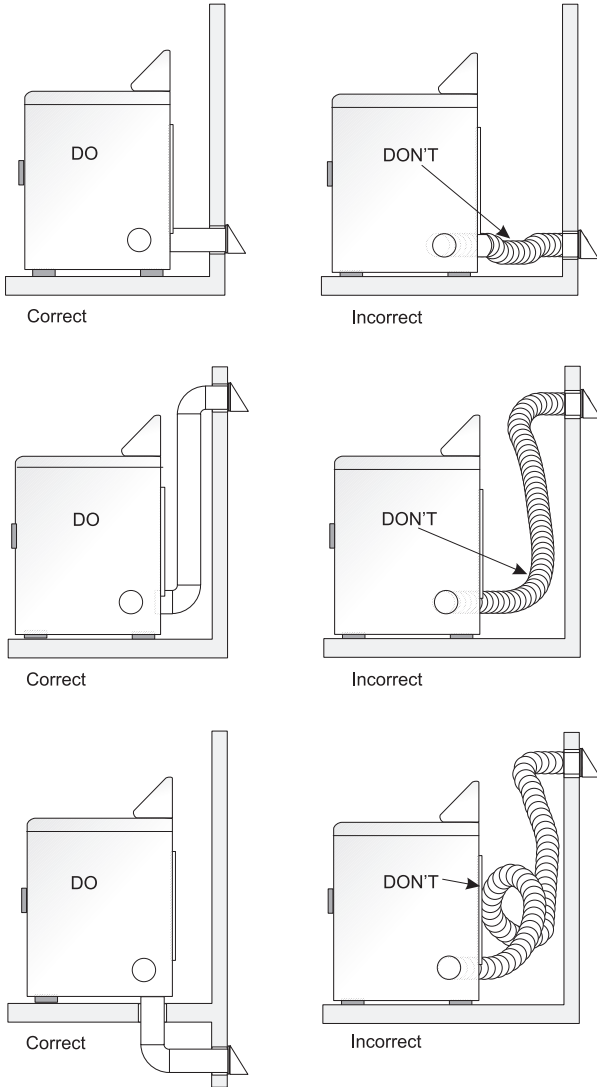
*Custom-sized countertop is required.

MOBILE HOME INSTALLATION

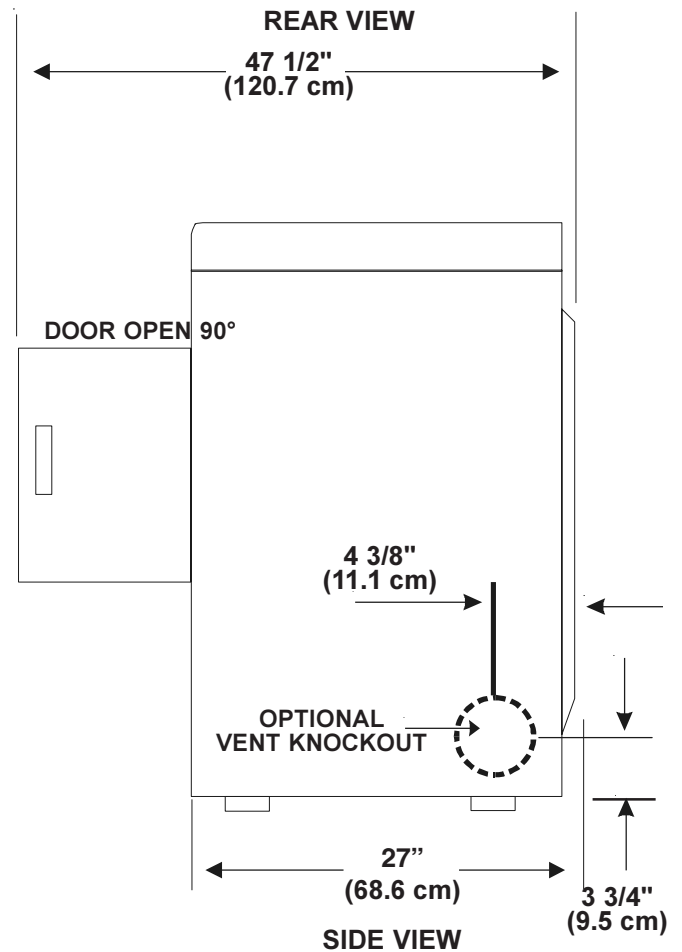
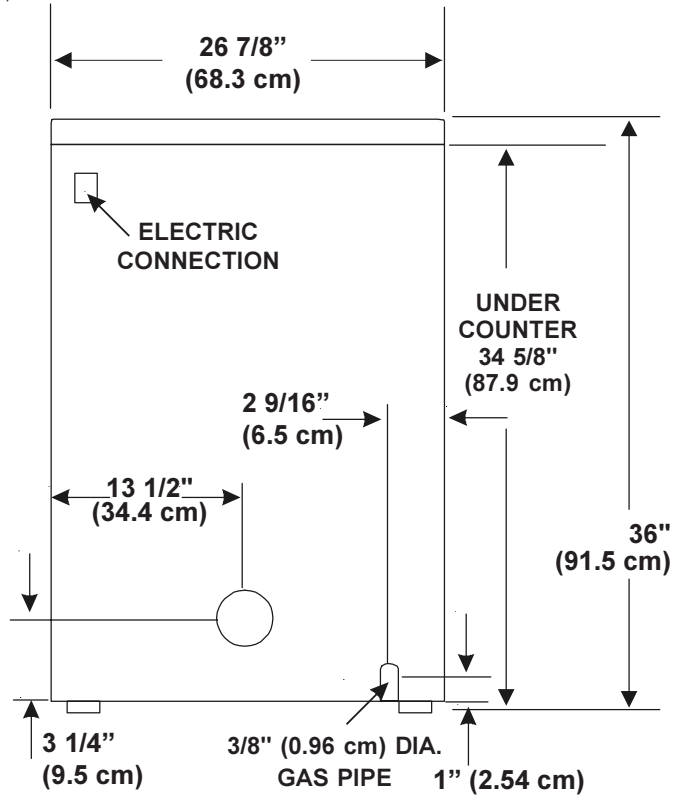
1. Dryer **MUST** be exhausted outside (outdoors, not beneath the mobile home) using metal ducting that will not support combustion. Metal ducting must be 4 inches (10.16 cm) in diameter with no obstructions. Rigid metal duct is preferred.
2. If dryer is exhausted through the floor and area beneath the mobile home is enclosed, the exhaust system **MUST** terminate outside the enclosure with the termination securely fastened to the mobile home structure.
3. When installing a gas dryer into a mobile home, a provision must be made for outside make up air. This provision is to be not less than twice the area of the dryer exhaust outlet.
4. This dryer **MUST** be fastened to the floor. Mobile Home Installation Kit No. 169840 is available from your dealer.
5. Refer to pages 2 and 3 for other important venting requirements.
6. Installation **MUST** conform to current Manufactured Home Construction & Safety Standard (which is a Federal Regulation Title 24 CFR-Part 32-80) or when such standard is not applicable, with American

National Standard for Mobile Homes. In Canada, the CSA Z240 is applicable.

! WARNING The dryer is designed under ANSI Z 21.5.1 for **HOME USE** only.

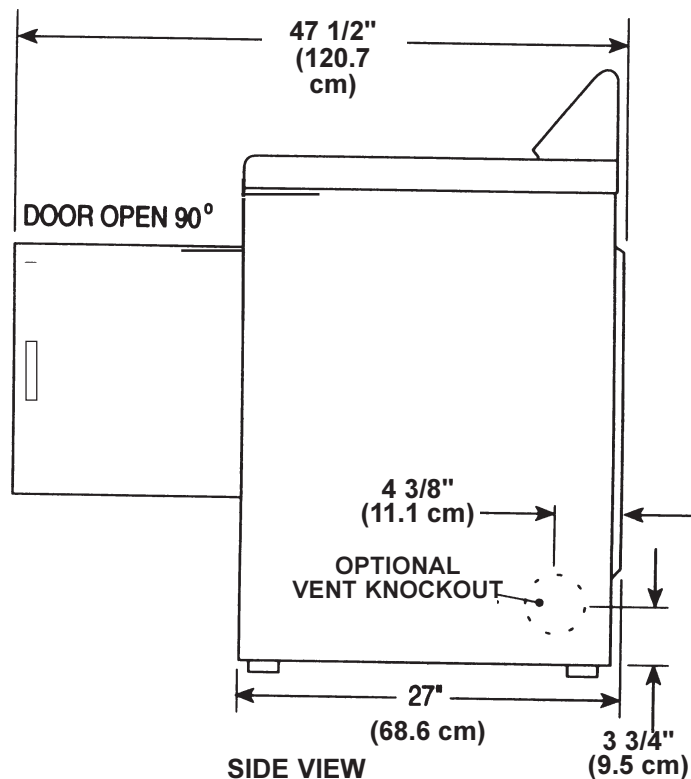
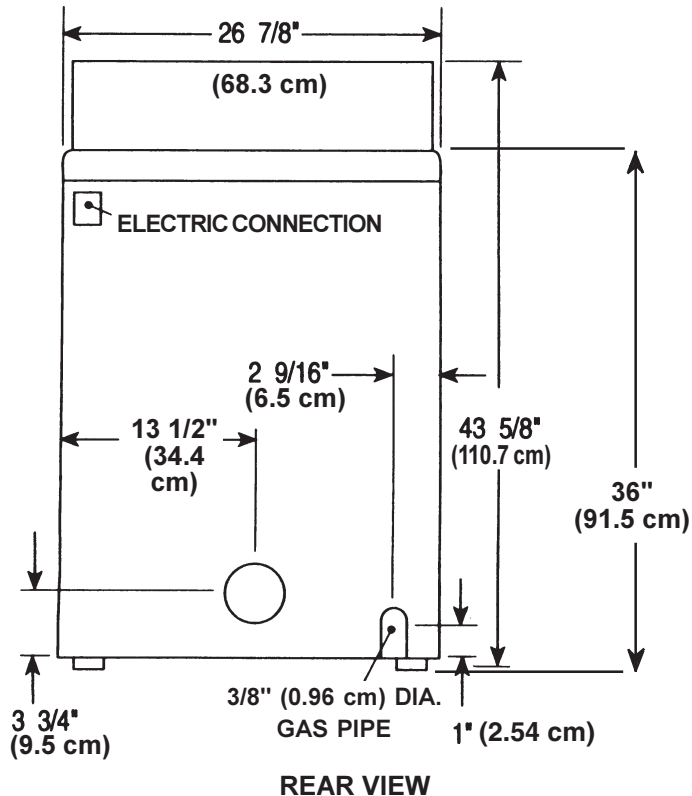


**UNDER COUNTER & STACK MODELS
ROUGH-IN DIMENSIONS**



TOP CONSOLE MODELS

ROUGH-IN DIMENSIONS



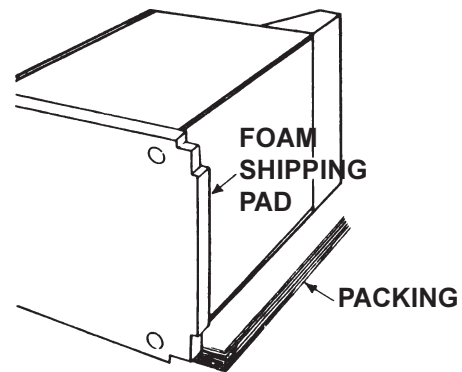
UNPACKING

1. Using the four shipping carton corner posts (two on each side), carefully lay the dryer on its left side and remove foam shipping base.

CAUTION To prevent damage, do not use the control panel as a means to pick up or move the dryer.

NOTE: On under counter model clothes dryers, the top panel may be removed for installation.

2. Return the dryer to an upright position.

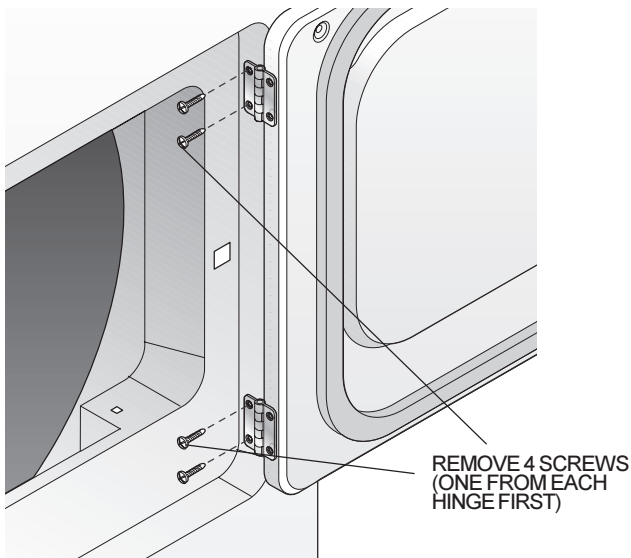


REVERSING DOOR SWING

Your dryer is designed so the door swing may be reversed at any time without additional parts. Conversion is accomplished by transferring hinges to the opposite side of the cabinet.

To change the direction of the door opening:

1. Open the dryer door. Remove the four hinge hole plugs from the left side of the door opening. Place nearby for future installation. **NOTE:** You may need a plastic knife to help pull out the plugs. Be careful not to scratch the paint.
2. Remove the four screws that secure the door hinges to the dryer front panel. **NOTE:** Remove one screw from each of the two hinges first. Hold the door firmly before removing the last two screws.
3. Rotate the door 180° and reinstall the door hinges to the dryer front panel with the four screws.
4. Install the four hinge hole plugs in the open screw holes on the right side of the door opening.



ELECTRICAL INSTALLATION

ALL ELECTRIC Dryers

⚠ WARNING The following are specific requirements for proper and safe electrical installation of your dryer. Failure to follow these instructions can create electrical shock and/or a fire hazard.

⚠ This appliance **MUST** be properly grounded. Electrical shock can result if the dryer is not properly grounded. Follow the instructions in this manual for proper grounding.

⚠ Do not use an extension cord with this dryer. Some extension cords are not designed to withstand the amounts of electrical current this dryer utilizes and can melt, creating electrical shock and/or fire hazard. Locate the dryer within reach of the receptacle for the length power cord to be purchased, allowing some slack in the cord. Refer to the pre-installation requirements in this manual for the proper power cord to be purchased.

⚠ A U.L. approved strain relief must be installed onto power cord. If the strain relief is not attached, the cord can be pulled out of the dryer and can be cut by any movement of the cord, resulting in electrical shock.

⚠ Do not use an aluminum wired receptacle with a copper wired power cord and plug (or vice versa). A chemical reaction occurs between copper and aluminum and can cause electrical shorts. **The proper wiring and receptacle is a copper wired power cord with a copper wired receptacle.**

NOTE: Dryers operating on 208 volt power supply will have longer drying times than operating on 240 volt power supply.

GROUNDING REQUIREMENTS

Non-Canadian ELECTRIC Dryer

⚠ DANGER Improper connection of the equipment grounding conductor can result in a risk of electrical shock. Check with a licensed electrician if you are in doubt as to whether the appliance is properly grounded.

For a grounded, cord-connected dryer:

1. The dryer **MUST** be grounded. In the event of a malfunction or breakdown, grounding will reduce the risk of electrical shock by a path of least resistance for electrical current.
2. If your dryer is equipped with a power supply cord having an equipment-grounding conductor and a grounding plug, the plug **MUST** be plugged into an appropriate, copper wired receptacle that is properly installed and grounded in accordance with all local codes and ordinances. If in doubt, call a licensed electrician.

For a permanently connected dryer:

1. The dryer **MUST** be connected to a grounded metal, permanent wiring system; or an equipment grounding conductor must be run with the circuit conductors and connected to the equipment-grounding terminal or lead on the appliance.

Canadian ELECTRIC Dryer

⚠ DANGER Improper connection of the equipment grounding conductor can result in a risk of electrical shock. Check with a licensed electrician if you are in doubt as to whether the appliance is properly grounded.

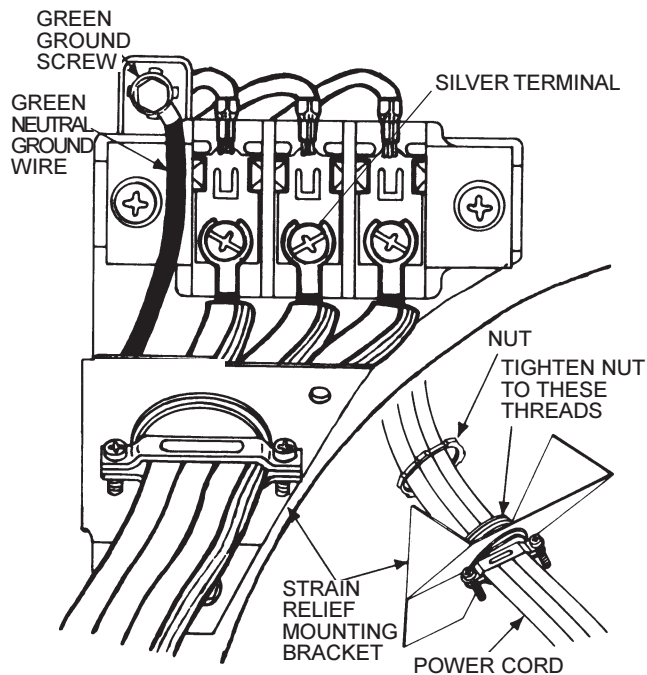
For a grounded, cord-connected dryer:

1. The dryer must be grounded. In the event of a malfunction or breakdown, grounding will reduce the risk of electrical shock by a path of least resistance for electrical current.
2. Since your dryer is equipped with a power supply cord having an equipment-grounding conductor and a grounding plug, the plug must be plugged into an appropriate outlet that is properly installed and grounded in accordance with all local codes and ordinances. If in doubt, call a licensed electrician.

ALL GAS Dryers

This dryer is equipped with a three-prong (grounding) plug for your protection against shock hazard and

should be plugged directly into a properly grounded three-prong receptacle. Do not cut or remove the grounding prong from this plug.



ELECTRICAL CONNECTIONS FOR 3-WIRE SYSTEM

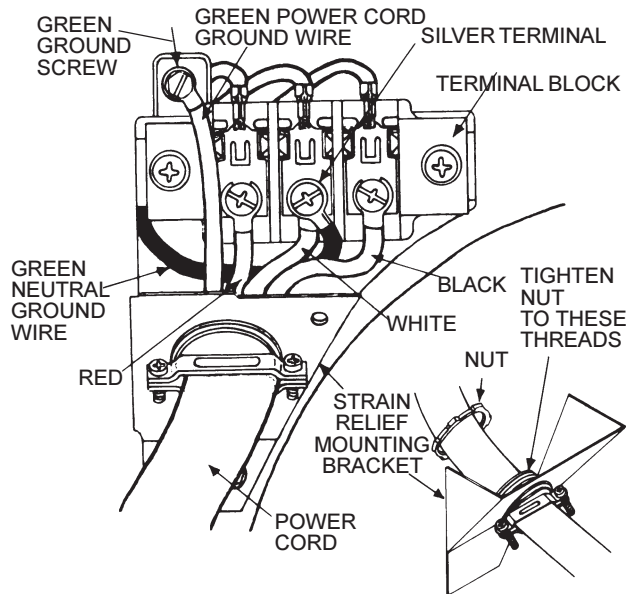
Non-Canadian ELECTRIC Dryer

1. Remove the screws securing the terminal block access cover and the strain relief mounting bracket located on the back of the dryer upper corner.
2. Install a U.L. approved strain relief into the power cord entry hole of the mounting bracket. Finger tighten the nut only at this time.
3. Thread a U.L. approved 30 amp. power cord, NEMA 10-30 Type SRDT, through the strain relief.
4. Attach the power cord neutral (center wire) conductor to the silver colored center terminal on the terminal block. Tighten the screw securely.
5. Attach the remaining two power cord outer conductors to the outer brass colored terminals on the terminal block. Tighten both screws securely.

⚠ WARNING Do not make a sharp bend or crimp wiring/ conductor at connections.

6. Reattach the strain relief mounting bracket to the back of the dryer with two screws. Tighten screws securely.
7. Tighten the screws securing the cord restraint firmly against the power cord.

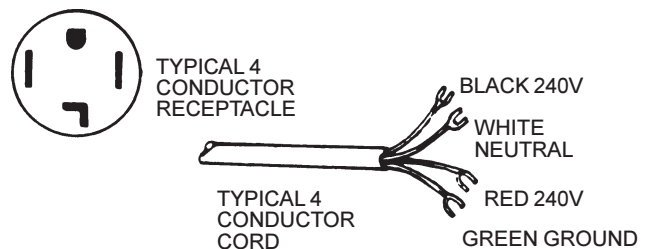
8. Tighten the strain relief nut securely so that the strain relief does not turn.
9. Reinstall the terminal block cover.



ELECTRICAL CONNECTIONS FOR 4-WIRE SYSTEM

Non-Canadian ELECTRIC Dryer

1. Remove the screws securing the terminal block access cover and the strain relief mounting bracket located on the back of the dryer upper corner.
2. Install a U.L. approved strain relief in the entry hole of the mounting bracket. Finger tighten the nut only at this time.
3. Remove the green neutral ground wire from the green ground screw located above the terminal block.



30 AMP NEMA 14-30 TYPE SRDT OR ST

4. Thread a U.L. approved 30 amp power cord, NEMA 14-30 type ST or SRDT through the strain relief.
5. Attach the green power cord ground wire to the cabinet with the green ground screw.
6. Attach the white (neutral) power cord conductor from the power cord and the green ground wire from the dryer harness to the silver-colored center terminal

on the terminal block. Tighten the screw securely.

7. Attach the red and black power cord conductors to the outer brass-colored terminals on the terminal block.

⚠ WARNING Do not make a sharp bend or crimp wiring/ conductor at the connections.

8. Tighten the screws securing the cord restraint firmly against the power cord.
9. Tighten the strain relief nut securely so the strain relief does not turn.
10. Reinstall the terminal block access cover.

INSTALLATION

1. GAS CONNECTION (*Gas dryers only*)

- a. Remove the shipping cap from gas pipe at the rear of the dryer.

NOTE: DO NOT connect the dryer to L.P. gas service without converting the gas valve. An L.P. conversion kit (P/N 131776600) must be installed by a qualified gas technician.

- b. Connect a 1/2 inch (1.27 cm) I.D. semi-rigid or approved pipe from gas supply line to the 3/8 inch (0.96 cm) pipe located on the back of the dryer. Use a 1/2 inch to 3/8 inch (1.27 cm to 0.96 cm) reducer for a connection. Apply an approved thread sealer that is resistant to the corrosive action of liquefied gases on all pipe connections.
- c. Open the shutoff valve in the gas supply line.
- d. Test all connections by brushing on a soapy water solution. **NEVER TEST FOR GAS LEAKS WITH AN OPEN FLAME.**

2. Connect the exhaust duct to outside exhaust system. Use duct tape to seal all joints.
3. With the dryer in its final position, adjust one or more of the legs until the dryer is resting solid on all four legs. Place a level on top of the dryer. **THE DRYER MUST BE LEVEL AND RESTING SOLID ON ALL FOUR LEGS.** Turn the lock nuts on each of the four legs up toward the base of the dryer and snug with a 1/2 inch open end wrench.
4. Plug the power cord into a grounded outlet. **NOTE:** Check to ensure the power is off at circuit breaker/ fuse box before plugging the power cord into the outlet.

5. Turn on the power at the circuit breaker/fuse box.

⚠ CAUTION Before operating the dryer, make sure the dryer area is clear and free from combustible materials, gasoline, and other flammable vapors. Also see that nothing (such as boxes, clothing, etc.) obstructs the flow of combustion and ventilation air.

6. Run the dryer through a cycle check for proper operation.

NOTE: On gas dryers, before the burner will light, it is necessary for the gas line to be bled of air. If the burner does not light within 45 seconds the first time the dryer is turned on, the safety switch will shut the burner off. If this happens, turn the timer to "OFF" and wait 5 minutes before making another attempt to light.

7. If your dryer does not operate, please review the "Avoid Service Checklist" located in your Owner's Guide before calling for service.
8. Place these instructions in a location near the dryer for future reference.

NOTE: A wiring diagram is located inside the dryer console or under the top panel.

REPLACEMENT PARTS

If replacement parts are needed for your dryer, contact the source where you purchased your dryer.

⚠ CAUTION Label all wires prior to disconnection when servicing controls. Wiring errors can cause improper and dangerous operation. Verify proper operation after servicing.

⚠ WARNING Destroy the carton and plastic bags after the dryer is unpacked. Children might use them for play. Cartons covered with rugs, bedspreads, or plastic sheets can become airtight chambers causing suffocation. Place all materials in a garbage container or make materials inaccessible to children.

⚠ WARNING The instructions in this manual and all other literature included with this dryer are not meant to cover every possible condition and situation that may occur. Good safe practice and caution **MUST** be applied when installing, operating and maintaining any appliance.

SECTION D - HOW THE COMPONENTS WORK

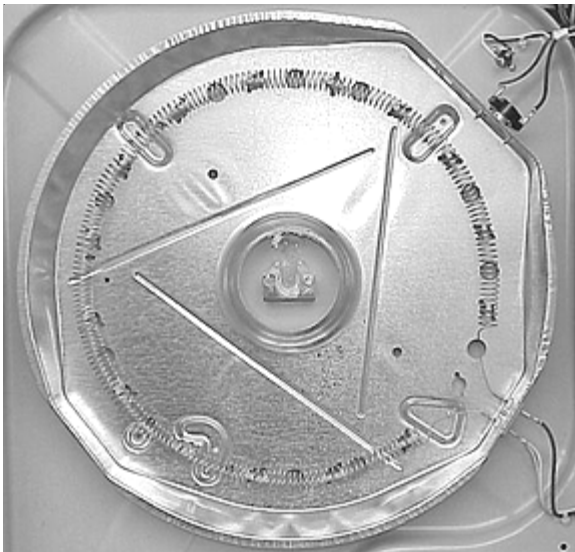
Clothes dryers remove moisture from clothes by pulling air, either warmed or room temperature, through the clothes while they are being tumbled by a turning drum. The moisture from the clothes is exhausted through the dryer vent system to the outside of the house.

The basic components are :

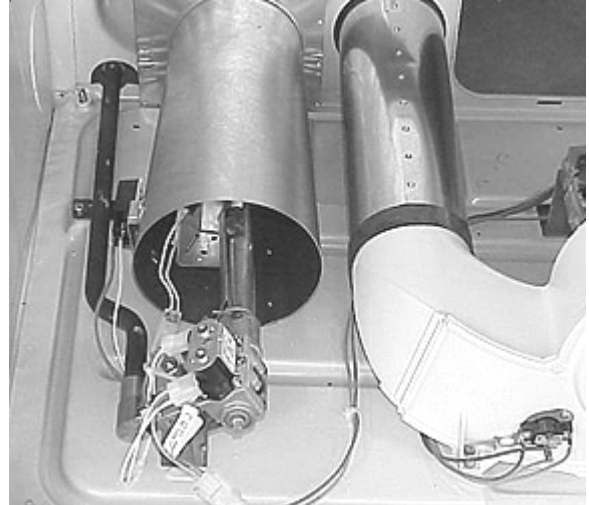
Drum



Heat Source



Electric

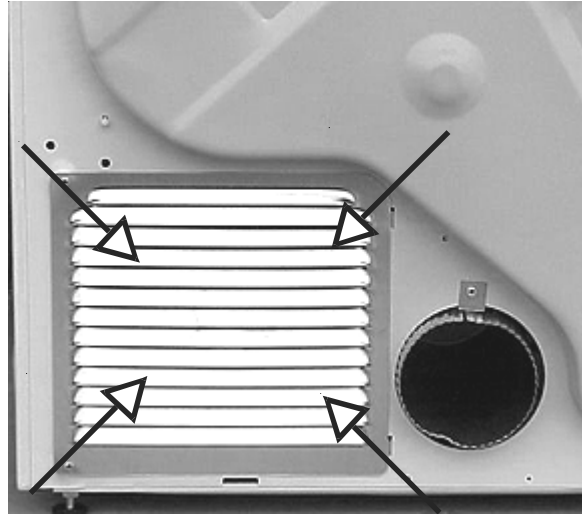
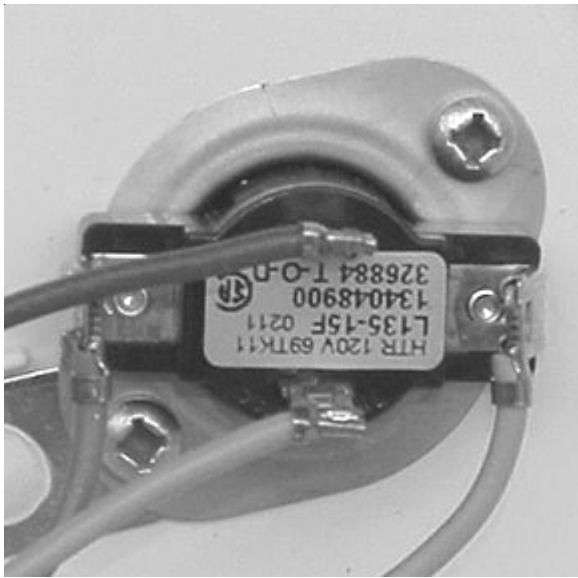


Gas

Drive motor and blower

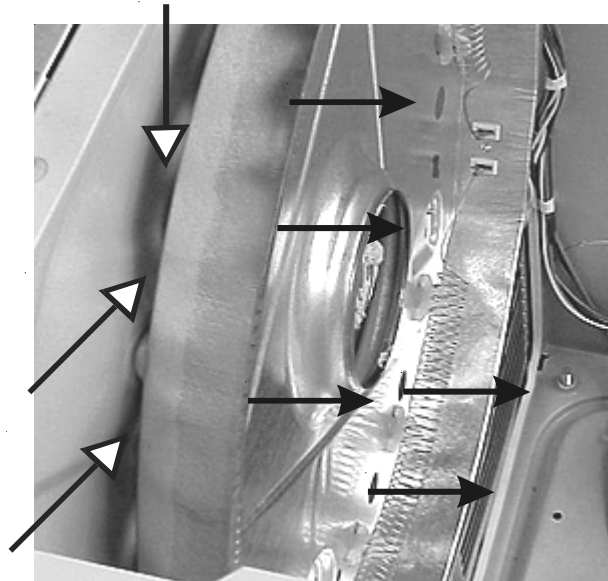
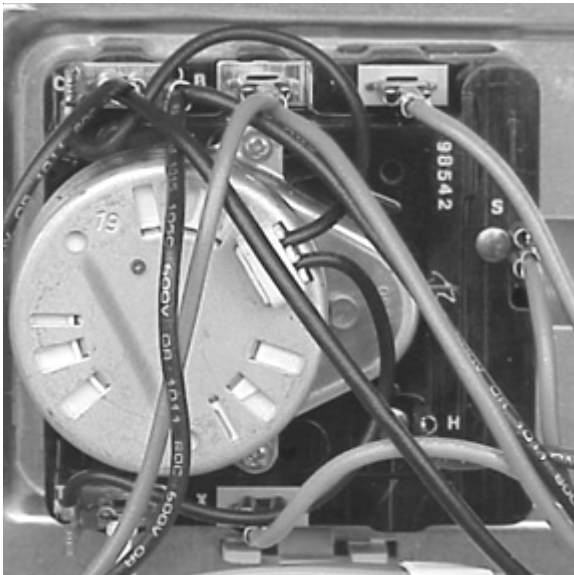


Control thermostat



Once inside the dryer cavity the air is drawn between the rear wall of the dryer and the plenum. The holes in the plenum allow the air to be drawn across the heating element. In any cycle, other than Air Fluff, the heating element heats the air as it passes through.

Timer



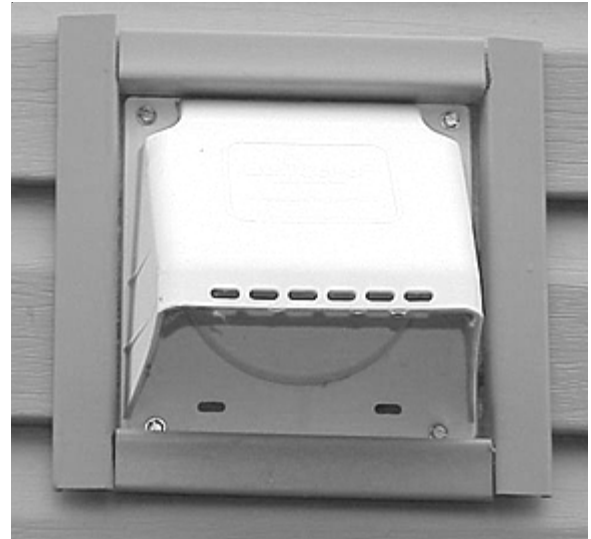
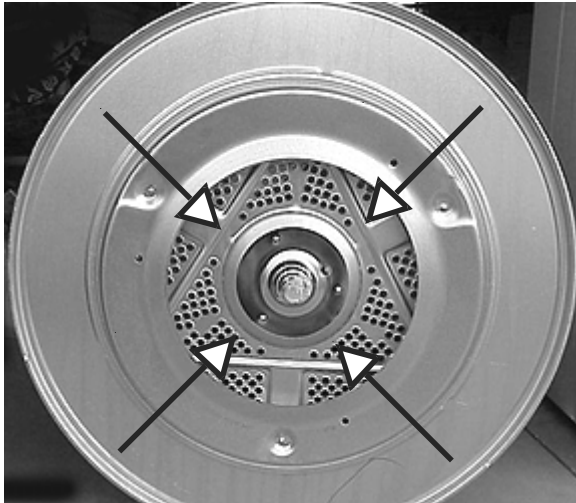
Airflow

Since the moisture in the clothes is removed by air moving through the drum, it is important to understand the complete air flow system.

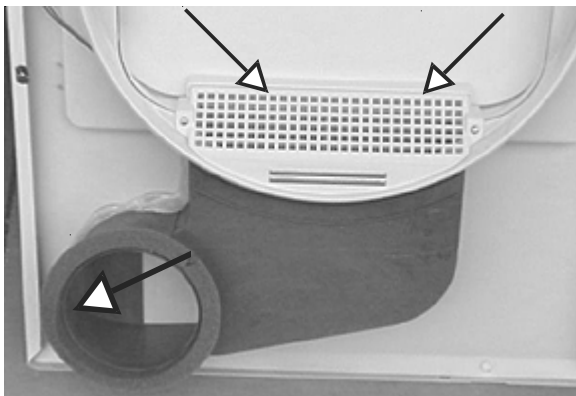
Airflow electric dryers:

Room air enters the dryer through a louvered panel in the rear right-hand corner of the dryer.

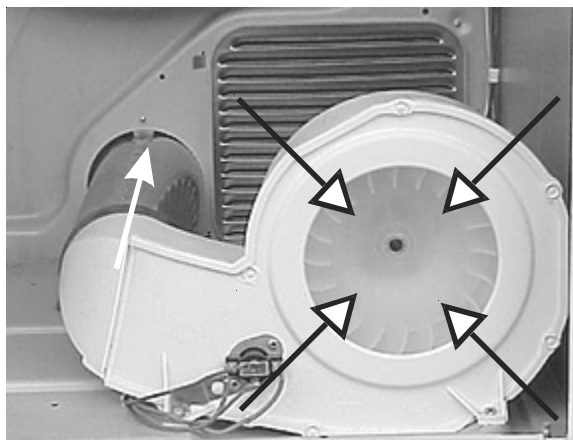
The air then is drawn into the drum through the holes in the rear of the drum.



The air passes through the drum picking up moisture and is drawn through the lint filter into the ductwork at the front of the dryer.

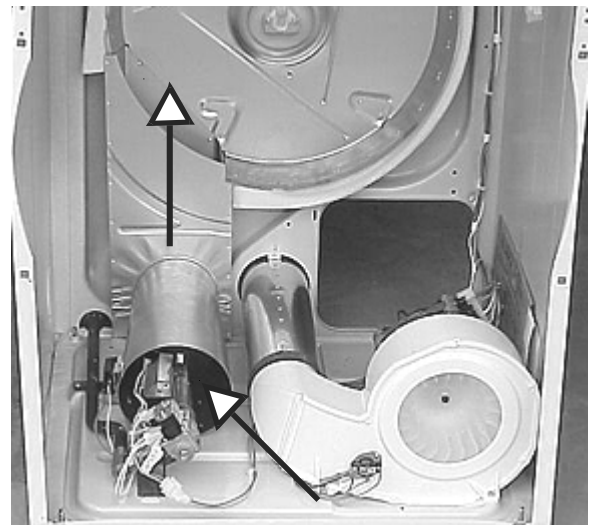


The air enters the fan housing and is pushed out the exhaust vent to the outside of the house.



Airflow gas dryers:

The airflow in gas dryers is similar to electric dryers except for the heat source and the rear of the drum. The air enters the cavity through the louvered opening in the right rear corner of the dryer. The air is pulled across the gas burner, through the burner chamber and is ducted to the rear of the drum.



The drum is the same as in the electric dryer, except it does not have a heat baffle on it.



Airflow problems:

Airflow problems are usually caused by restrictions, leaks or short unrestricted vents resulting in longer drying times, hotter dryer surfaces and in extreme cases causing the thermal limiter to open on electric dryers.

Restrictions:

Restrictions can occur any place in the airflow system, but the most common are:

1. Installing the dryer in a small inclosed area; such as a closet without a louvered door that reduces the intake air.
2. Fan problems caused by either a slow running motor, a broken or deformed fan blade or a deformed fan housing.
3. A lint restriction in the lint screen area. Operator may not be cleaning the lint screen before using.
4. A restriction in the exhaust system in the house caused by the design of the vent, such as; the diameter of the vent pipe being too small, too long, too many right angles, or a collapsed or lint restricted vent pipe.

Note: Problems caused by the vent pipe in the house are not cover under the product warranty.

Air leaks:

Two types of air leaks may occur:

1. Air being drawn in around the door opening, between the drum and the front panel, or around the foam seal between the front duct and the blower housing, replaces some of the air being drawn through the drum and lowers the efficiency of the dryer.

Note: An air leak that occurs around the door opening or between the drum and the front panel usually will cause lint to build up on the inner panel of the door.

2. Air being pushed out around the blower housing or vent pipe inside the dryer, allows some of the moisture that has been removed from the clothes to be recirculated.

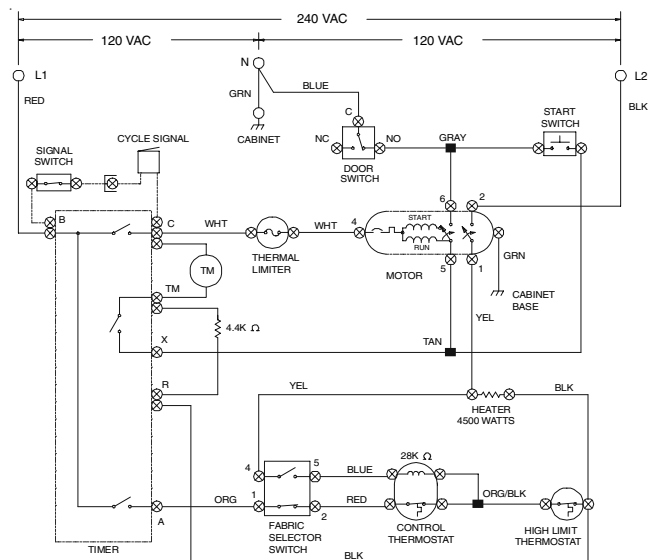
Short unrestricted vents:

The venting system in the dryer is designed to operate under some back pressure. This back pressure is needed to slow the airflow and allow the air to be heated before it passes through the clothes.

Note: With short direct vent runs; such as you have when the dryer is installed against an outside wall, use a 2 1/2" vent cap rather than a 4" vent cap.

Electrical Operation (Electric Dryers Models Without Electronic Moisture Sensor):

Note: Always refer to the wiring diagram or schematic with the product.

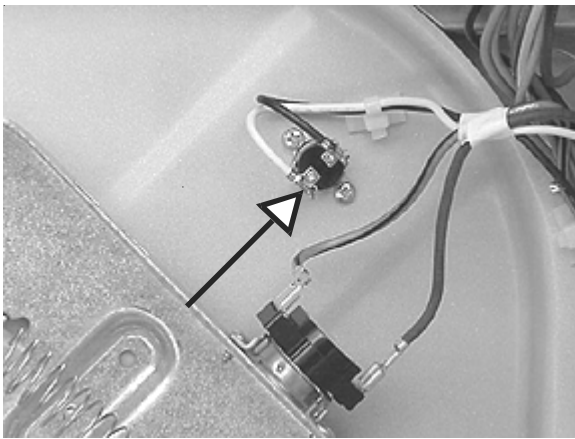


Auto Dry Cycle

When the dryer is connected to electrical power, line 1 is connected to terminal B of the timer and the input terminal of the cycle signal switch. When the timer is set to the Auto Dry cycle, contacts B to C and B to A in the timer are closed. This provides power to four circuits; the drive motor circuit, timer motor circuit, heating circuit and cycle signal circuit.

Drive Motor Circuit:

When contacts B to C are closed, line 1 is applied through the thermal limiter (a non-resettable fuse mounted on the rear wall of the dryer) to terminal M4 of



the drive motor. Terminal M4 is connected inside the motor to one side of the thermal overload. (The thermal overload protects the motor from being damaged by overheating.) The other side of the thermal overload is connected to one end of both the run winding and the start winding of the drive motor. When the motor is not turning, the other end of the start winding is connected internally to terminal M5 of the motor through the NC contact of the motor centrifugal switch. The other end of the run winding is also connected internally to terminal M5.

When the motor is not turning, the start winding and the run winding are connected in parallel. Terminal M5 of the motor is connected to the start switch, which is connected to neutral through the door switch. When the start switch is activated, with the dryer door closed, line 1 to neutral voltage is applied across both the start and run windings of the drive motor. With power applied to both the start and run windings, the motor starts to turn.

When the speed of the motor reaches about 80% of its normal run speed the contacts of the centrifugal switch change from NC to NO, opening the circuit to the start winding and connecting the run winding to motor terminal M6. Terminal M6 is connected to neu-

tral through the door switch. The start winding is now out of the circuit and the run winding circuit is bypassing the start switch, so the switch can be released without interrupting power to the run winding.

The drive motor performs two tasks in the dryer. A pulley attached to one end of the motor shaft uses a belt to drive the dryer drum. The blower wheel is attached to the other end of the motor shaft to pull the air through the clothes and force it out the exhaust vent.

The Timer Motor Circuit:

When timer contacts B to C close, line 1 is applied to one end of the timer motor winding. The other end of the timer motor winding is connected to one end of the heater through a 4400 Ohm dropping resistor that allows the 120 volt timer motor to operate in a 240 volt circuit without burning up. The other end of the heater is connected to line 2 by a centrifugal switch in the motor whenever the motor is turning. The circuit formed by contacts B and C of the timer, the timer motor and the dropping resistor are in parallel with a circuit formed by contacts B and A of the timer, contacts 1 and 2 of the fabric selector switch, the contacts of the control thermostat and the contacts of the high limit thermostat. This circuit has either zero resistance when the contacts of the control thermostat are closed or infinity resistance when the contacts of the control thermostat are open. Since electrical current follows the path of least resistance, when the contacts of the control thermostat are closed all the current flow is through the circuit formed by contacts B and A of the timer, contacts 1 and 2 of fabric selector switch, the contacts of the control thermostat and the contacts of the high limit thermostat. With no current flowing through the timer motor winding, the timer motor does not turn. When the heat in the dryer opens the contacts of the control thermostat the only path for current flow is through the circuit formed by the timer motor winding and the dropping resistor. With current flowing through the timer motor winding, the timer advances. At the start of the cycle the amount of heat energy needed to drive the moisture from the clothes slows the temperature rise in the dryer and the contacts of the control thermostat remain closed preventing the timer from advancing. As the clothes dry, it takes less heat energy to maintain the temperature in the drum. This causes the contacts of the control thermostat to be open a higher percentage of the time allowing the timer motor to run more.

The Heating Circuit:

Timer contacts B to A connect line 1 to terminal 1 of the fabric selector switch. The fabric selector switch allows the dryer to be set to operate at Regular temperature, Low temperature and Air Fluff. In the Air Fluff setting the drum turns but the heater does not operate.

Whenever the fabric selector switch is set to either Regular or Low, contact 1 is closed to contact 2 and line 1 is applied to the contacts of the control thermostat. When the fabric selector switch is set to Low, contacts 4 to 5 of the switch are also closed connecting the windings of the small heater in the control thermostat to line 2 through the second centrifugal switch in the motor. When the drive motor is running and the contacts of the control thermostat are closed current flow through the heater. The heat from the heater causes the thermostat to cycle at a lower drum temperature.

The control thermostat senses the temperature of the air in the blower housing and controls the temperature in the dryer by opening and closing the heater circuit. When the temperature in the drum is below the cycle temperature, the contacts are closed, connecting line 1 to the high limit thermostat. The high limit thermostat is a safety device that prevents the dryer from overheating if the contacts of the control thermostat fail closed. The contacts of the high limit thermostat are normally closed and are set to open at a temperature above the cycling temperature of the control thermostat. From the output terminal of the high limit thermostat, line 1 is connected to one side of the element. The other side of the heating element is connected to line 2 through the contacts of the second centrifugal switch in the drive motor. This switch prevents power from being applied to the element

if the motor is not running.

The Cycle Signal Circuit:

The end of cycle signal circuit is made up of a signal switch and the cycle signal (buzzer). The signal switch and the cycle signal are connected in series with one another and in parallel with terminals B and C of the timer. Terminal B and one side of the signal switch are connected to line 1. Terminal C and one side of the cycle signal are connected through the motor centrifugal switch to neutral. When the dryer is operating, terminal B is connected to terminal C by contacts B and C of the timer and the cycle signal circuit is shorted out. At the end of the cycle, contacts B and C open and if the signal switch is closed, current flows through cycle signal (about 5 seconds) until the motor stops and the centrifugal switch opens.

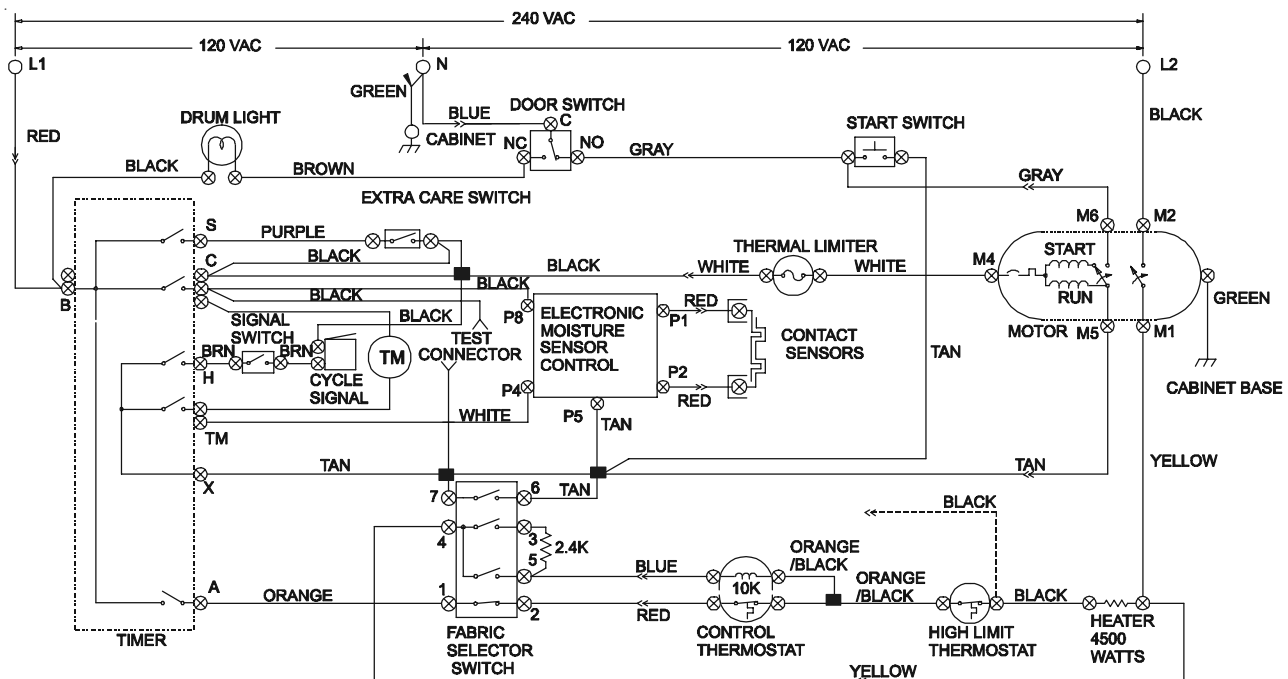
Timed Dry Cycle

The time dry cycle operates the same as the auto dry cycle except for the operation of the timer motor. When the dial is turned to the timed dry section, contacts TM to X in the timer close connecting the timer motor to neutral through the centrifugal switch in the motor. The timer motor then runs continuously until contacts B to C of the timer opens and the motor stops.

Electrical Operation (Electric Dryer with Electronic Moisture Sensor)

Note: Always refer to the wiring diagram or schematic with the product.

Sample wiring diagram for models with electronic moisture sensor

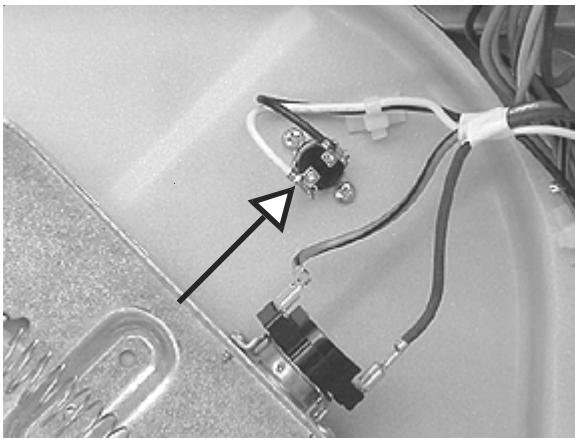


Auto Dry Regular Cycle

When the dryer is connected to electrical power line 1 is connected to terminal B of the timer and one side of the drum light. When the timer is set to the Auto Dry cycle contacts B to C and B to A are closed. This provides power at the start of the cycle to four circuits; the drive motor circuit, timer motor circuit, electronic moisture sensor control circuit and the heating circuit.

Drive Motor Circuit:

When contacts B to C are closed, line 1 is applied through the thermal limiter (a non resettable fuse mounted on the rear wall of the dryer) to terminal M4 of



the drive motor. Terminal M4 is connected in the motor to one side of the thermal overload. (The thermal overload protects the motor from being damaged by overheating.) The other side of the thermal overload is connected to one end of both the run winding and the start winding of the drive motor. When the motor is not turning, the other end of the start winding is connected internally to terminal M5 of the motor through the NC contact of the motor centrifugal switch. The other end of the run winding is also connected internally to terminal M5.

When the motor is not turning the start winding and the run winding are connected in parallel. Terminal M5 of the motor is connected to the start switch, which is connected to neutral through the door switch. When the start switch is activated, with the dryer door closed, line 1 to neutral voltage is applied across both the start and run windings of the drive motor. With power applied to both the start and run windings, the motor starts to turn.

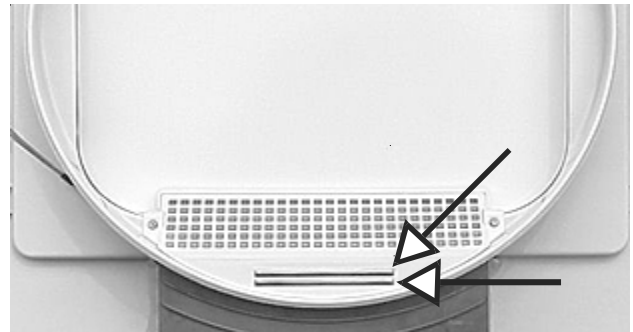
When the speed of the motor reaches about 80% of its normal run speed the contacts of the centrifugal switch change from NC to NO, opening the circuit to the start winding and connecting the run winding to motor terminal M6. Terminal M6 is connected to neutral through

the door switch. The start winding is now out of the circuit and the run winding circuit is bypassing the start switch, so the switch can be released without interrupting power to the run winding.

The drive motor performs two tasks in the dryer. A pulley attached to one end of the motor shaft uses a belt to drive the dryer drum. The blower wheel is attached to the other end of the motor shaft and pulls the air through the clothes and forces it out the exhaust vent.

The Timer Motor Circuit:

When timer contacts B to C close, line 1 is applied to one end of the timer motor winding. The other end of the timer motor winding is connected to terminal TM of the timer. Terminal TM is connected to neutral through terminals P4 and P5 of the electronic moisture sensor control, the start switch (when the motor is not running) and through the centrifugal switch in the motor (when the motor is running). Current flow through the timer motor in the auto dry cycle, is controlled by the electronic moisture sensor control. The control circuit in the electronic moisture sensor control is in series with the timer motor. The electronic moisture sensor control measures the capacitance between the two sensor bars located in the vent cover.



When wet clothes are placed in the dryer, the clothes touch the sensor bars and the moisture lowers the capacitance between the bars. The electronic moisture sensor control reads this and increases the resistance between terminals P4 and P5. When resistance is increased in a series circuit, the current flow in the circuit is reduced. The increase in resistance inside the control lowers the current flow through the timer motor below the level needed to operate the motor, preventing the timer from advancing. As the moisture is removed from the clothes, the capacitance between the bars increases. When the increase in capacitance satisfies the electronic moisture control, the electronic moisture control removes the resistance between terminals P4 and P5, increasing the current flow through the timer motor, causing the motor to advance.

Note: In the auto regular cycle, the timer motor can run for 51 minutes. The cycle time can be 51 min plus the time current flow is being shunted by the electronic moisture sensor control.

The Heating Circuit:

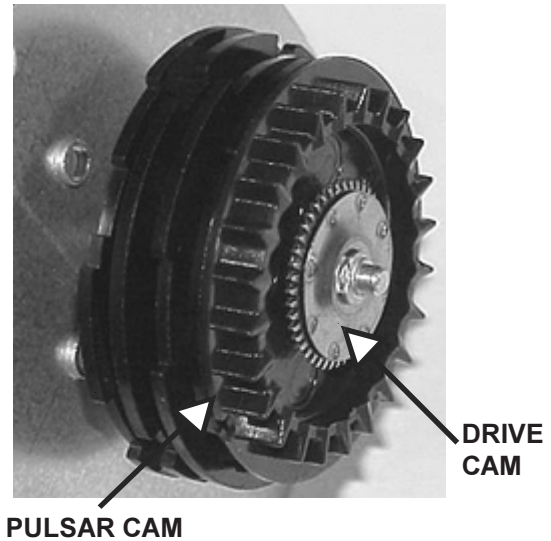
Timer contacts B to A connect line 1 to terminal 1 of the fabric selector switch. The fabric selector switch allows the dryer to be set to operate at High temperature, Medium temperature, Low temperature or Air Fluff. In the Air Fluff setting the drum turns but the heater does not operate. Whenever the fabric selector switch is set to either High, Medium or Low, contact 1 is closed to contact 2 and line 1 is applied to the contacts of the control thermostat. When the fabric switch is set to either Medium or Low, power is applied to a small heater in the control thermostat, and the control thermostat is then cycled by a combination of heat from the thermostat heater and heat in the drum. When the fabric selector switch is set to Medium, contacts 3 to 5 of the switch are closed connecting the series circuit formed by a 2400 Ohm resistor and the windings of the small heater in the control thermostat to line 2. When the fabric selector switch is set to Low, contacts 4 to 5 of the switch are closed connecting the windings of the small heater in the control thermostat to line 2. Since more current flows through the thermostat heater in the Low setting, the control thermostat cycles at a lower drum temperature than Medium.

The control thermostat senses the temperature of the air in the blower housing and controls the temperature in the dryer by opening and closing the heater circuit. When the temperature in the drum is below the cycle temperature, the contacts are closed, connecting line 1 to the high limit thermostat. The high limit thermostat is a safety device that prevents the dryer from overheating if the contacts of the control thermostat fail closed. The contacts of the high limit thermostat are normally closed and are set to open at a temperature above the cycling temperature of the control thermostat. From the output terminal of the high limit thermostat, line 1 is connected to one side of the element. The other side of the element is connected to line 2 through the contacts of the second centrifugal switch in the drive motor. This switch prevents power from being applied to the element if the motor is not running.

The Cycle Signal Circuit:

The cycle signal circuit is made up of the cycle signal (buzzer) and signal switch which allows the customer to active and deactivate the cycle signal feature. When contacts B to C of the timer are closed or contacts B to

S of the timer are closed and the extra care switch is set to ON, line 1 is connected to one side of the cycle signal. The other side of the cycle signal is connected to the signal switch. When the signal switch is set to ON the contacts of the switch are closed connecting the circuit to terminal H of the timer. A Pulsar cam, located next to the cycle signal cam and rotating at 12 revolutions per hour, allows contacts H to X to close for 5 seconds +/-3 seconds.



Auto Dry Knits and Delicates Cycle:

The auto dry knits and delicates cycle operates the same as the auto dry regular cycle except for the length of time the timer motor can run (36 minutes) and the extra care feature capability. When the extra care feature is selected, the dryer tumbles an extra 16.5 minutes at the end of the cycle without heat. During the 16.5 minutes, the end of cycle signal will sound 5 to 7 times.

Drive Motor and Heating Circuits:

The drive motor and heat circuits operate the same as in the regular auto dry cycle.

Timed Dry Cycle

When the timed dry cycle is selected a drying time up to 73.5 minutes may be set by turning the timer dial. When the cycle is started, the timer motor runs continuously for the time set and at the end of the cycle the end of cycle signal sounds one or two times.

Drive Motor and Heating Circuits:

The drive motor and heat circuits operate the same as in the regular auto dry cycle.

Permanent Press Cycle:

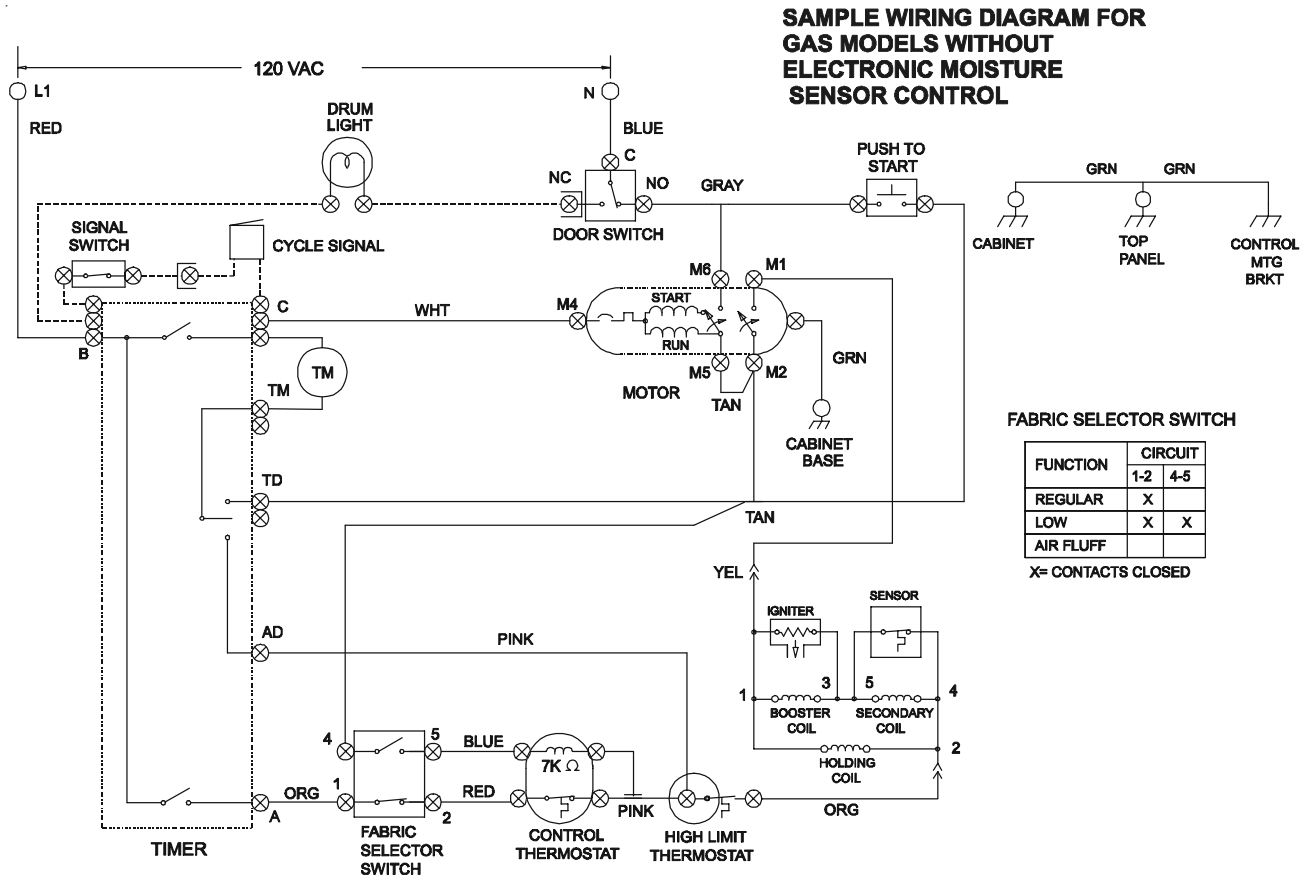
The permanent press cycle operates the same as the auto dry knits and delicate cycle except the timer motor run time is 28.5 minutes.

Drive Motor, Heating and End of Cycle Circuits:

The drive motor, heating and end of cycle circuits operate the same as in the regular auto dry cycle.

Electrical Operation (Gas Dryers Models Without Electronic Moisture Sensor)

Note: Always refer to the wiring diagram or schematic with the product.



NOTE:
DASHED LINES INDICATE
CIRCUITS THAT ARE NOT
IN ALL MODELS.

Auto Dry Cycle

When the dryer is connected to electrical power, line 1 is connected to terminal B of the timer and the input terminal of the signal switch. When the timer is set to the Auto Dry cycle, contacts B to C and B to A are closed. This provides power to four circuits; the drive motor circuit, timer motor circuit, heating circuit and cycle signal circuit.

Drive Motor Circuit:

When contacts B to C are closed line 1 is applied to terminal M4 of the drive motor. Terminal M4 is connected in the motor to one side of the thermal overload. (The thermal overload protects the motor from being damaged by overheating). The other side of the thermal overload is

connected to both the run winding and the start winding of the drive motor. When the motor is not turning the other end of the start winding is connected internally to terminal M5 of the motor through the NC contact of the motor centrifugal switch. The other end of the run winding is also connected internally to terminal M5.

When the motor is not turning the start winding and the run winding are connected in parallel. Terminal M5 of the motor is connected to the start switch which is connected to neutral through the door switch. When the start switch is activated, with the dryer door closed, line 1 to neutral voltage is applied across both the start and run windings of the drive motor. With power applied to both the start and run windings the motor starts to turn. When the speed of the motor reaches about 80% of its normal run speed the contacts of the centrifugal switch

change from NC to NO, opening the circuit to the start winding and connecting the run winding to motor terminal M6. Terminal M6 is connected to neutral through the door switch. The Start winding is now out of the circuit and run winding circuit is bypassing the start switch, so the switch can be released without interrupting power to the run winding.

The drive motor performs two tasks in the dryer. A pulley attached to one end of the motor shaft uses a belt to drive the dryer drum. The blower wheel is attached to the other end of the motor shaft that pulls the air through the clothes and forces it out the exhaust vent.

The Timer Motor Circuit:

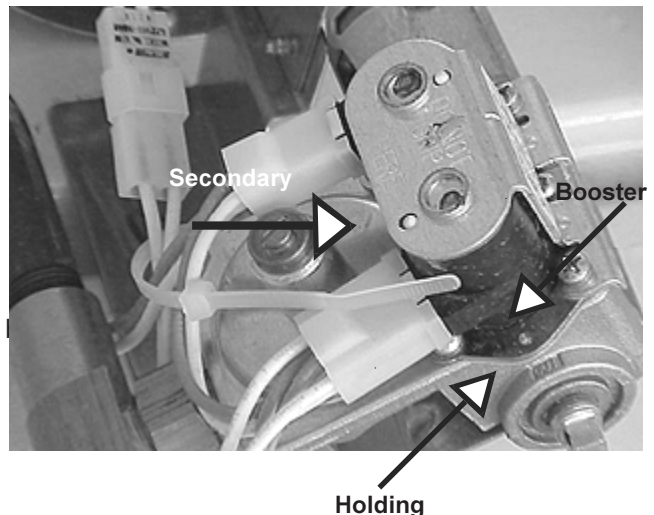
When timer contacts B to C close line 1 is applied to one end of the timer motor winding. The other end of the timer motor is connected to terminal TM of the timer. Terminal TM is connected by an internal contact in the timer to terminal AD of the timer. Terminal AD is connected to the input side of the high limit thermostat. The high limit thermostat is connected to neutral through the coils of the gas valve and the centrifugal switches of the motor (whenever the motor is turning). The circuit formed by contacts B and C of the timer, the timer motor and contacts TM and AD are in parallel with a circuit form by contacts B and A of the timer, contacts 1 and 2 of the fabric selector switch, and the contacts of the control thermostat. This circuit has either zero resistance when the contacts of the control thermostat are closed or infinity resistance when the contacts of the control thermostat are open. When the contacts of the control thermostat are closed, all the current flow is through the circuit formed by contacts B and A of the timer, contacts 1 and 2 of fabric selector switch, and the contacts of the control thermostat because electrical current follows the path of least resistance. With no current flowing through the timer motor, the timer motor does not turn. When the heat in the drum opens the contacts of the control thermostat, the only path for current flow is through the circuit formed by contacts B and C and contacts TM and AD of the timer and the timer motor winding. With current flowing through the timer winding the timer advances. At the start of the cycle the amount of heat energy needed to drive the moisture from the clothes slows the temperature rise in the dryer and the contacts of the control thermostat remain closed preventing the timer from advancing. As the clothes dry, it takes less heat energy to maintain the temperature in the drum. This causes the contacts of the control thermostat to be open a higher percentage of the time allowing the timer motor to run more.

The Heating Circuit:

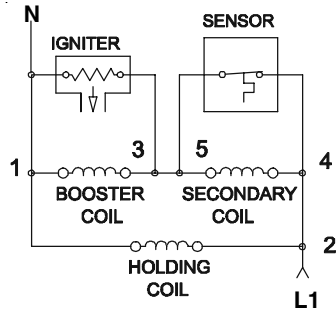
Timer contacts B to A connect line 1 to terminal 1 of the fabric selector switch. The fabric selector switch allows the dryer to be set to operate at Regular temperature, Low temperature and Air Fluff. In the Air Fluff setting the drum turns but the heater circuit is not activated. Whenever the fabric selector switch is set to either Regular or Low contact 1 is closed to contact 2 and line 1 is applied to the contacts of the control thermostat. When the fabric selector switch is set to Low, contacts 4 to 5 of the switch are also closed connecting the windings of the small heater in the control thermostat to neutral through the centrifugal switch in the motor. When the drive motor is running and the contacts of the control thermostat are closed current flows through the heater. The heat from the heater causes the thermostat to cycle at a lower drum temperature.

The control thermostat senses the temperature of the air in the blower housing and controls the temperature in the drum by opening and closing the heater circuit. When the temperature in the drum is below the cycle temperature, the contacts are closed, connecting line 1 to the high limit thermostat. The high limit thermostat is a safety device that prevents the dryer from overheating, if the contacts of the control thermostat fail closed. The contacts of the high limit thermostat are normally closed and set to open at a temperature above the cycling temperature of the control thermostat. From the output terminal of the high limit thermostat, line 1 is connected to one side of the holding coil of the gas valve, the secondary coil of the gas valve, and the sensor that is mounted on the combustion chamber.

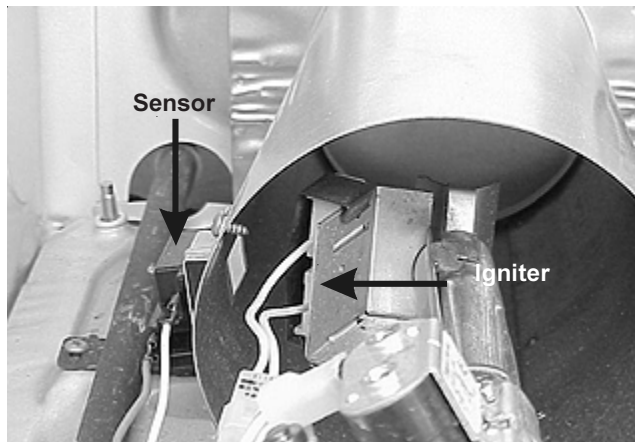
The holding coil, secondary coil, booster coil, sensor and igniter circuits interact with one another to assure safe operation of the dryer gas burner.



The gas valve has two chambers in series and both must be opened before gas will flow into the burner. The solenoid that controls the gas flow through the first chamber has two coils, the booster coil and the holding coil. The solenoid that controls the second chamber has one coil called the secondary coil.



One side of the holding coil, booster coil and igniter are connected to neutral through the two centrifugal switches in the motor (that are closed when the motor is running) and the door switch. When power is applied across these circuits, current flows through the holding coil, but the holding coil does not have enough magnetic force to open the solenoid by itself. At the same time current flows through sensor contacts providing power to the booster coil and the igniter. When current flows through both the holding and booster coils, the first chamber opens. The contacts of the sensor are in parallel with the secondary coil so as long as the contacts of the sensor remain closed, current flow bypasses the secondary coil, and gas is prevented from flowing through the second chamber to the burner.



It is necessary to raise temperature above 1100° F to ignite gas. As current flows through the igniter the temperature of the igniter raises from room temperature to around 1800° F within 30 seconds. The contacts of the sensor are heat sensitive and set to open above the ignition temperature of gas. When the sensor contacts open, current flows through the secondary coil open-

ing the second chamber allowing gas to the burner, which is then ignited by the heat of the igniter. When the contacts of the sensor open, the parallel circuit formed by the igniter and the booster coil are in series with the secondary coil which lowers the current flow through the igniter and booster coil. Since it takes less magnetic force to hold a solenoid open than it does to open it, the secondary coil still remains open when the current through the booster coil is reduced. The reduction of current flow through the igniter reduces heat from the igniter but the sensor contacts are held open by the heat of the burner flame.

The Cycle Signal Circuit:

The end of cycle signal circuit is made up of signal switch and the cycle signal (buzzer). The signal switch and the cycle signal are connected in series with one another and in parallel with terminals B and C of the timer. Terminal B and one side of the signal switch are connected to line 1. Terminal C and one side of the cycle signal is connected through the motor centrifugal switch to neutral. When the dryer is operating terminal B is connected to terminal C by contacts B and C of the timer and the cycle signal circuit is shorted out. At the end of the cycle, contacts B and C open and if the signal switch is closed current flows through the cycle signal (about 5 seconds) until the motor stops and the centrifugal switch opens.

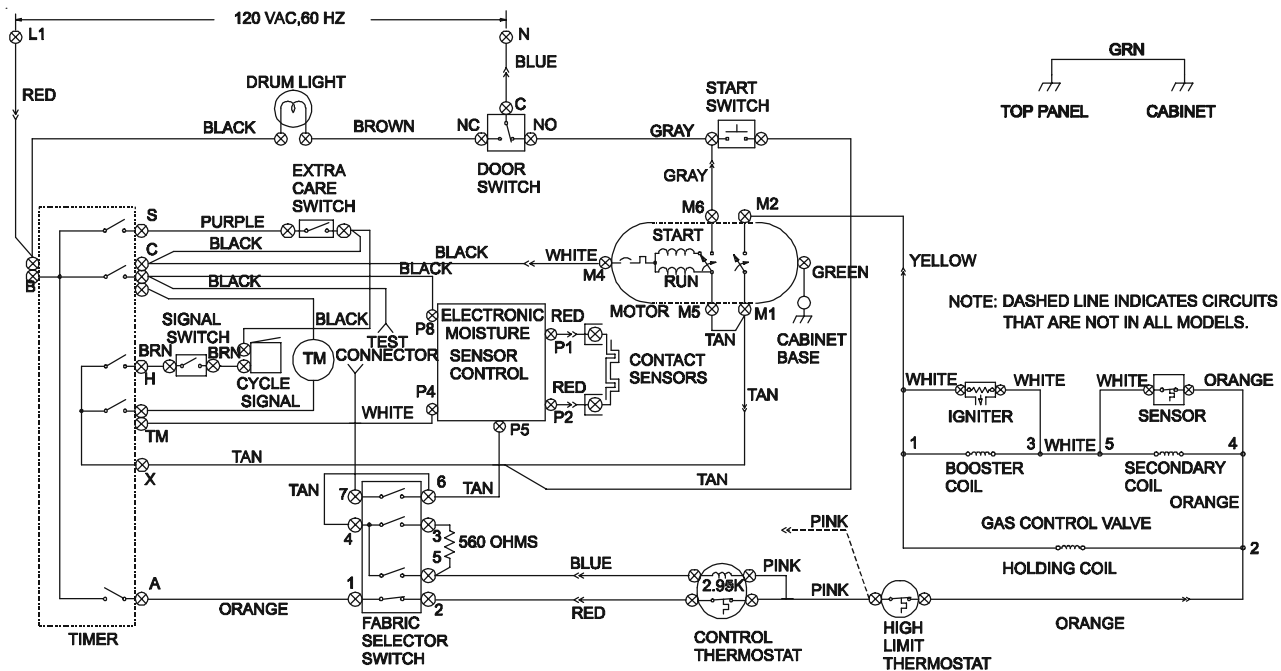
Timed Dry Cycle:

The time dry cycle operates the same as the auto dry cycle except for the operation of the timer motor. When the dial is turned to the timed dry section, contacts TM to TD in the timer close connecting the timer motor to neutral through the centrifugal switch in the motor. The timer motor then runs continuously until contacts B to C of the timer opens and the motor stops.

Electrical Operation (Gas Dryers Models With Electronic Moisture Sensor)

Note: Always refer to the wiring diagram or schematic with the product.

Sample wiring diagram for models with electronic moisture sensor



Auto Dry Regular Cycle

When the dryer is connected to electrical power, line 1 is connected to terminal B of the timer and one side of the drum light. When the timer is set to the Auto Dry cycle, contacts B to C and B to A are closed. This provides power at the start of the cycle to four circuits: the drive motor circuit, timer motor circuit, electronic moisture sensor circuit and the heating circuit.

Drive Motor Circuit:

When contacts B to C are closed line 1 is applied to terminal M4 of the drive motor. Terminal M4 is connected in the motor to one side of the thermal overload. (The thermal overload protects the motor from being damaged by overheating.) The other side of the thermal overload is connected to both the run winding and the start winding of the drive motor. When the motor is not turning, the other end of the start winding is connected internally to terminal M5 of the motor, through the NC contact of the motor centrifugal switch. The other end of the run winding is also connected internally to terminal M5.

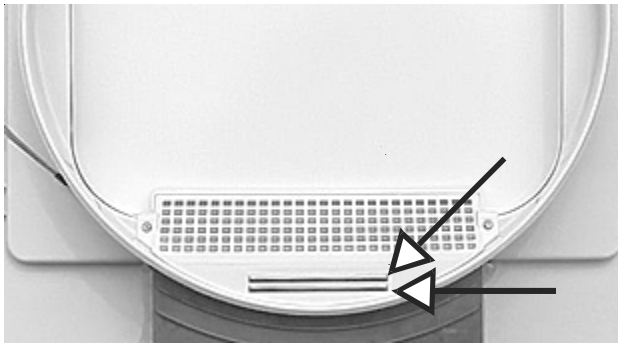
When the motor is not turning, the start winding and the run winding are connected in parallel. Terminal M5 of the motor is connected to the start switch, which is connected to neutral through the door switch. When the start switch is activated and the dryer door closed, line 1 to neutral voltage is applied across both the start and run windings of the drive motor. With power applied to both the start and run windings, the motor starts to turn.

When the speed of the motor reaches about 80% of its normal run speed, the contacts of the centrifugal switch change from NC to NO, opening the circuit to the start winding and connecting the run winding to motor terminal M6. Terminal M6 is connected to neutral through the door switch. The start winding is now out of the circuit and the run winding circuit is bypassing the start switch so the switch can be released without interrupting power to the run winding.

The drive motor performs two tasks in the dryer. A pulley attached to one end of the motor shaft uses a belt to drive the dryer drum. The blower wheel, attached to the other end of the motor shaft, pulls the air through the clothes and forces it out the exhaust vent.

The Timer Motor Circuit:

When timer contacts B to C close, line 1 is applied to one side of the timer motor. The other side of the timer motor is connected to terminal TM of the timer. Terminal TM is connected to neutral through terminals P4 and P5 of the electronic moisture control, the push to start switch (when the motor is not running) and through the centrifugal switch in the motor (when the motor is running). Current flow through the timer motor in the auto dry cycle is controlled by the electronic moisture sensor control. The control circuit in the electronic moisture sensor control is in series with the timer motor. The electronic moisture sensor control measures the capacitance between the two sensor bars located in the vent cover.



When wet clothes are placed in the dryer the clothes touch the sensor bars and the moisture lowers the capacitance between them. The electronic moisture sensor control reads this and increases the resistance between terminals P4 and P5. When resistance is increased in a series circuit, current flow in the circuit is reduced. The increase in resistance inside the control lowers the current flow through the timer motor below the level needed to operate the motor, preventing the timer from advancing. As the moisture is removed from the clothes, the capacitance between the bars increases. When the increase in capacitance satisfies the electronic moisture control, the electronic moisture control removes the resistance between terminals P4 and P5, increasing the current flow through the timer motor, causing the motor to advance.

Note: In the auto regular cycle the timer motor can run for 51 minutes. The cycle time can be 51 min plus the time current flow is being shunted by the electronic moisture sensor control.

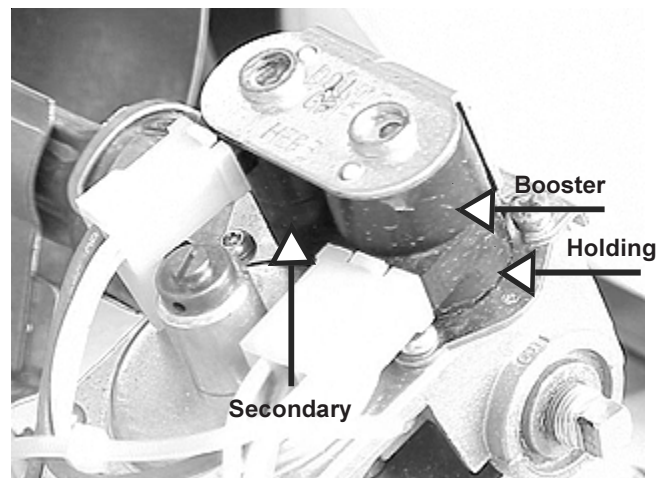
The Heat Circuit:

Timer contacts B to A connect line 1 to terminal 1 of the fabric selector switch. The fabric selector switch allows the dryer to be set to operate at High temperature, Medium temperature, Low temperature and Air

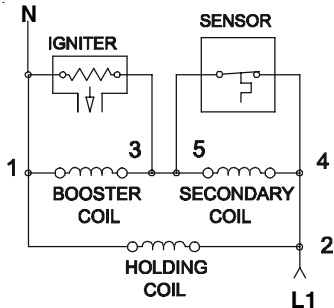
Fluff. In the Air Fluff setting the drum turns but the heater does not operate. Whenever the fabric selector switch is set to either High, Medium or Low, contact 1 is closed to contact 2 and line 1 is applied to the control thermostat. When the fabric selector switch is set to either Medium or Low, power is applied to a small heater in the control thermostat, and the contacts of the control thermostat are cycled by a combination of heat from the heater and the heat in the drum. When the fabric selector switch is set to Medium, contacts 3 to 4 of the switch are closed connecting the series circuit formed by a 560 Ohm resistor and the small heater in the control thermostat to neutral. When the fabric selector switch is set to Low, contacts 4 to 5 of the switch are closed connecting the small heater in the control thermostat to neutral. Since more current flows through the thermostat heater in the Low setting, the contacts cycle at a lower drum temperature than Medium.

The control thermostat senses the temperature of the air in the blower housing and controls the temperature in the dryer by opening and closing the heating circuit. When the temperature in the drum is below the cycle temperature, the contacts of the control thermostat are closed, connecting line 1 to the high limit thermostat. The high limit thermostat is a safety device that prevents the dryer from overheating, if the contacts of the control thermostat fail closed. The contacts of the high limit thermostat are normally closed and are set to open at a temperature above the cycling temperature of the control thermostat. From the output terminal of the high limit thermostat, line 1 is connected to one side of the holding coil of the gas valve, the secondary coil of the gas valve and the sensor that is mounted on the burner chamber.

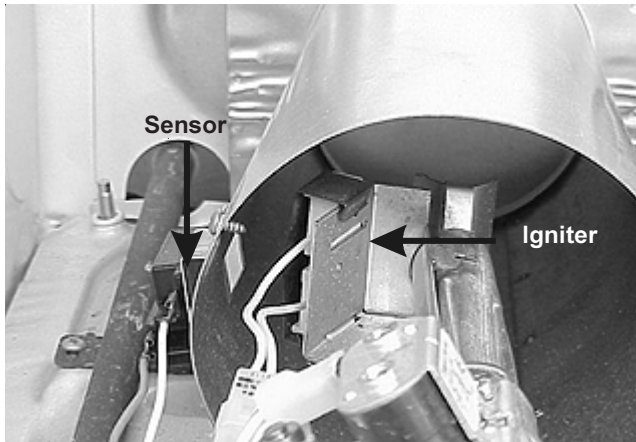
The holding coil, secondary coil, booster coil, sensor and igniter circuits interact with one another to assure safe operation of the dryer gas burner.



The gas valve has two chambers in series, both must be opened before gas will flow into the burner. The solenoid that controls the gas flow through the first chamber has two coils, the booster coil and the holding coil. The solenoid that control the second chamber has one coil, the secondary coil.



The other side of the holding coil, booster coil and igniter are connected to neutral through the two centrifugal switches in the motor (that are closed when the motor is running) and the door switch. When power is applied across these circuits, current flows through the holding coil, but the holding coil does not have enough magnetic force to open the solenoid by itself. At the same time current flows through sensor contacts providing power to the booster coil and the igniter. When current flows through both the holding and booster coils, the first chamber opens. The contacts of the sensor are in parallel with the secondary coil so as long as the contacts of the sensor remain closed, current flow bypasses the secondary coil, and gas is prevented from flowing through the second chamber of the valve to the burner.

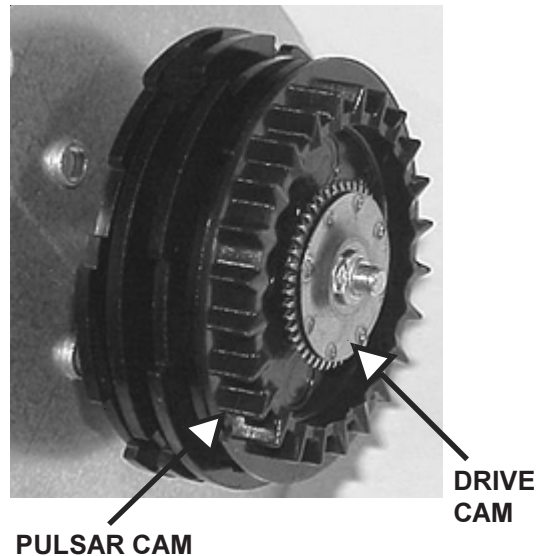


It is necessary to raise temperature above 1100° F to ignite gas. As current flows through the igniter the temperature of igniter raises from room temperature to around 1800° F within 30 seconds. The contacts of the sensor are heat sensitive and set to open above the ignition temperature of gas. When the sensor contacts

open, current flows through the secondary coil opening the second chamber allowing gas to the burner, and is ignited by the heat of the igniter. When the contacts of the sensor are open, the parallel circuit formed by the igniter and the booster coil are in series with the secondary coil which lowers the current flow through the igniter and booster coil. Since it takes less magnetic force to hold a solenoid open than it does to open it, the first solenoid remains open when the current through the booster coil is reduced. The reduction of current flow through the igniter reduces heat from the igniter but the sensor contacts are held open by the heat of the burner flame.

The Cycle Signal Circuit:

The cycle signal circuit is made up of the cycle signal (buzzer), signal switch (which allows the customer to activate and deactivate the cycle signal feature) and contacts X and H that connect the circuit to neutral. When contacts B to C of the timer are closed or contacts B to S of the timer are closed and the extra care switch is set to ON, line 1 is connected to one side of the cycle signal. The other side of the cycle signal is connected to the signal switch. When signal switch is set to ON the contacts of the switch are closed, connecting the circuit to terminal H of the timer. A Pulsar cam, located next to the cycle signal cam and rotating at 12 revolutions per hour, allows contacts H to X to close for 5 seconds +/-3 seconds.



Auto Dry Knits and Delicates Cycle:

The auto dry knits and delicates cycle operates the same as the auto dry regular cycle except for the length of time the timer motor can run (36 minutes) and the extra care feature capability. When the extra care fea-

ture is selected the dryer tumbles an extra 16.5 minutes at the end of the cycle without heat. During the 16.5 minutes the end of cycle signal will sound 5 to 7 times.

Drive Motor and Heating Circuits:

The drive motor and the heating circuits operate the same as in the regular auto dry cycle.

Timed Dry Cycle

When the timed dry cycle is selected, a drying time up to 73.5 minutes may be set by turning the timer dial. When the cycle is started the timer motor runs continuously for the time set. At the end of the cycle the end of cycle signal sounds one or two times.

Drive Motor, Heating and Cycle Signal Circuits:

The drive motor, the heating and cycle signal circuits operate the same as in the regular auto dry cycle.

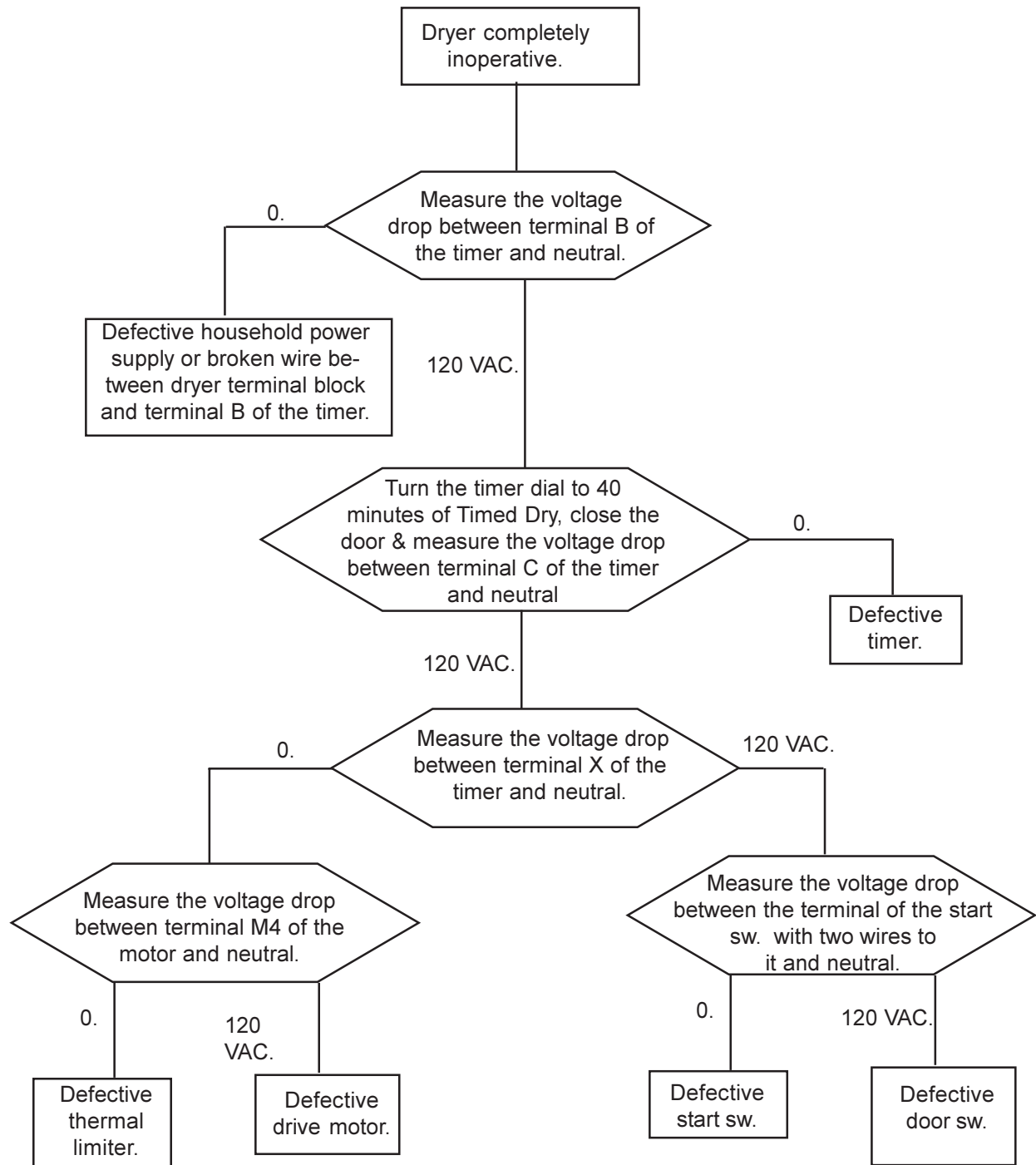
SECTION F - TROUBLESHOOTING FLOW CHARTS

NOTE: Always check the wiring and pin/plug connectors before replacing any component.

Electric dryer completely inoperative. _____	51
Gas dryer completely inoperative. _____	52
Electric dryers without electronic moisture sensor control, motor runs but timer does not advance in Auto or Timed dry. _____	53
Electric dryers without electronic moisture sensor control, timer advances in Timed dry but not in Auto dry. _____	53
Electric dryers without electronic moisture sensor control, timer advances in Auto dry but not in Timed dry. _____	54
Gas and Electric dryers with electronic moisture sensor controls, motor runs but timer does not advance in Auto or Timed dry. _____	54
Electric and Gas dryers with electronic moisture sensor control, timer advances in Timed dry but not in Auto dry. _____	55
Electric and Gas dryers with electronic moisture sensor control, timer does not pause in Auto dry with wet clothes in the dryer. _____	55
Electric and Gas dryers; blower motor runs but drum does not turn. _____	56
Electric and Gas dryers; longer than normal drying times. _____	56
Electric dryers; blower motor runs but dryer does not heat. _____	57
Gas dryers; blower motor runs but dryer does not heat. _____	58
Electric and Gas dryers; dryer over heating. _____	59

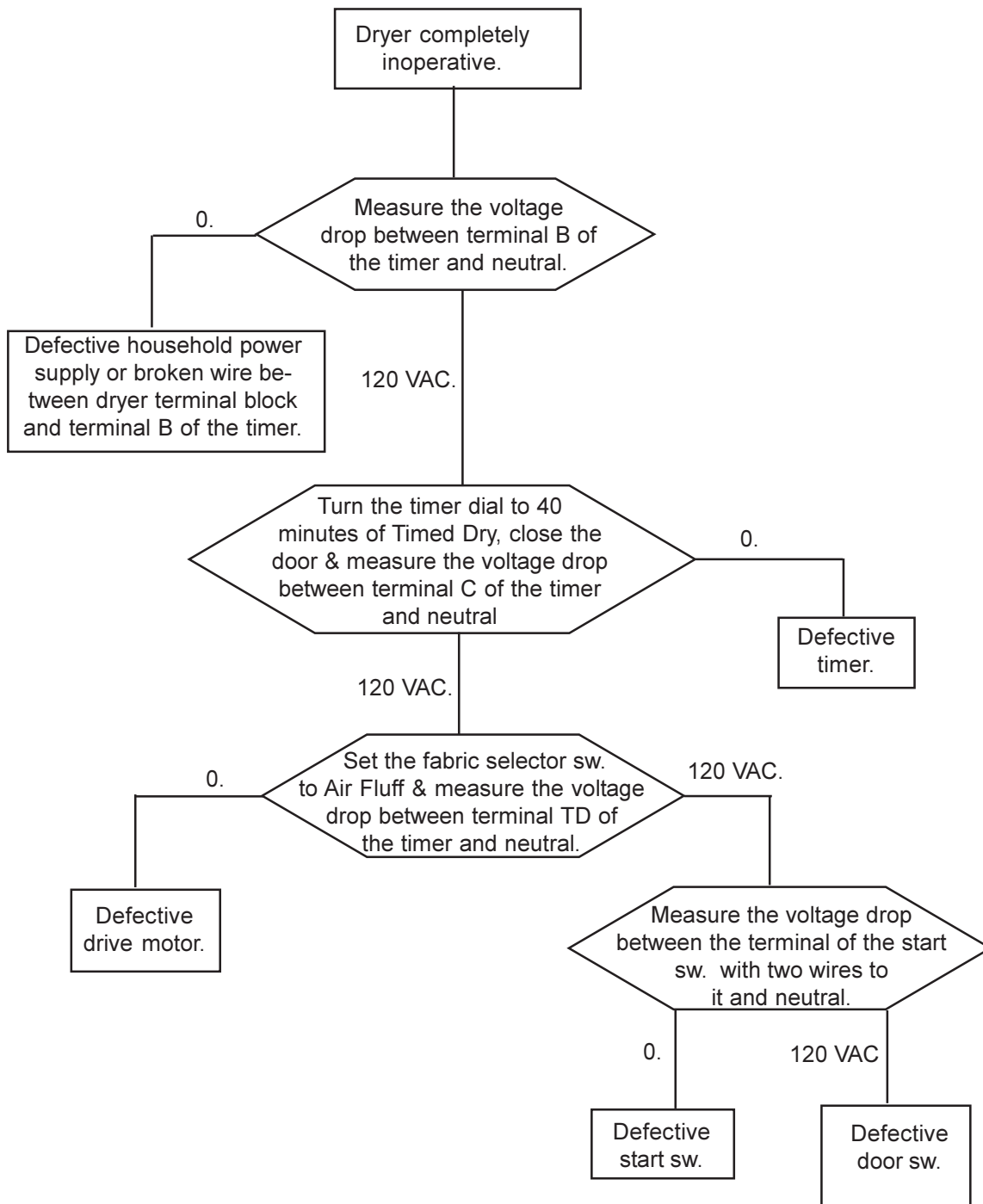
Electric dryer completely inoperative.

Note: Always check wiring to the components.



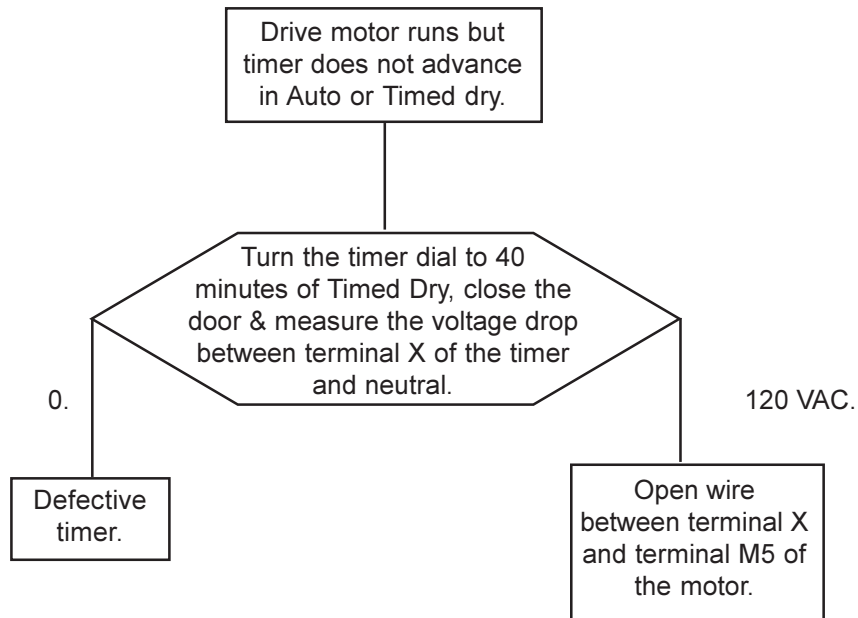
Gas dryer completely inoperative.

Note: Always check wiring to the components.



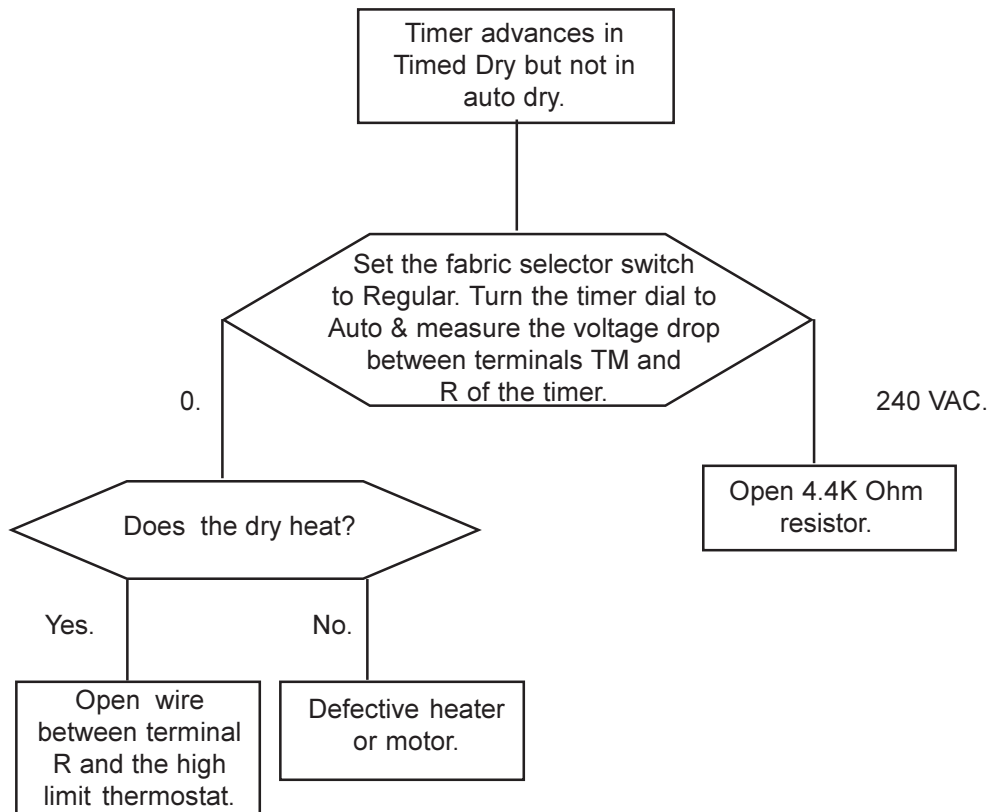
Electric dryers without electronic moisture sensor control; motor runs but timer does not advance in Auto or Timed dry.

Note: Always check wiring to the components.



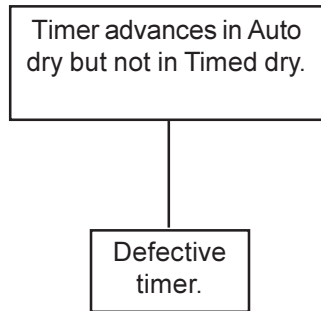
Electric dryers without electronic moisture sensor control; timer advances in Timed dry but not in Auto dry.

Note: Always check wiring to the components.



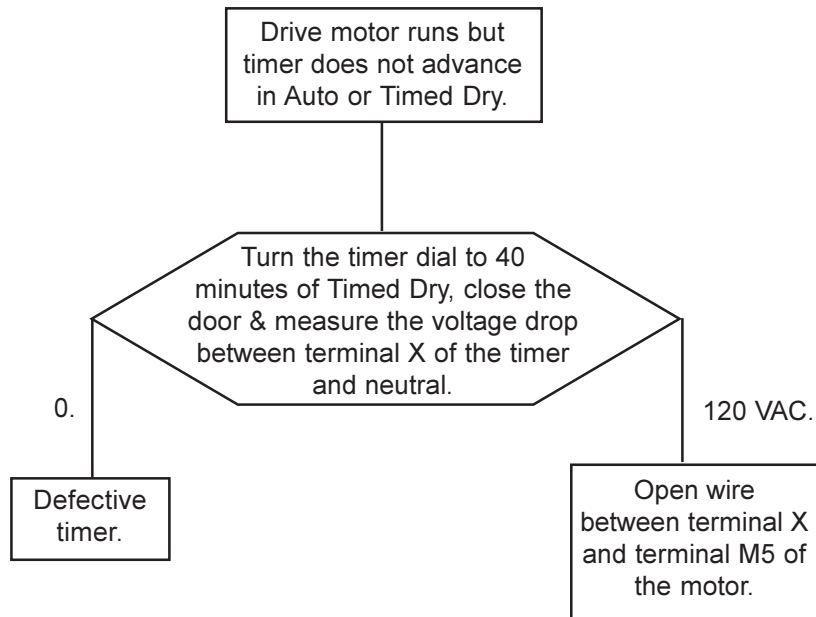
Electric dryers without electronic moisture sensor control; timer advances in Auto dry but not in Timed dry.

Note: Always check wiring to the components.



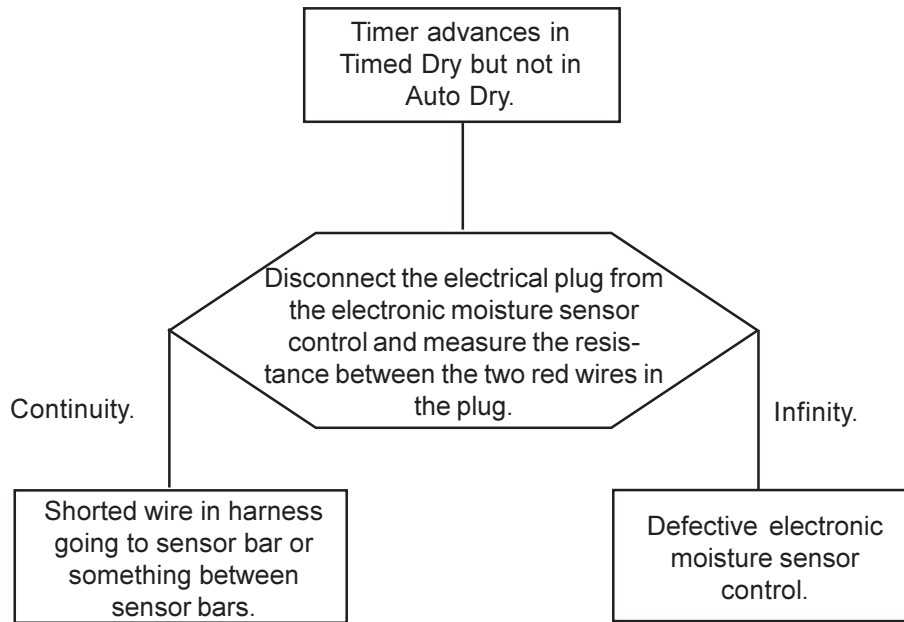
Gas and Electric dryers with electronic moisture sensor controls; motor runs but timer does not advance in Auto or Timed Ddry.

Note: Always check wiring to the components.



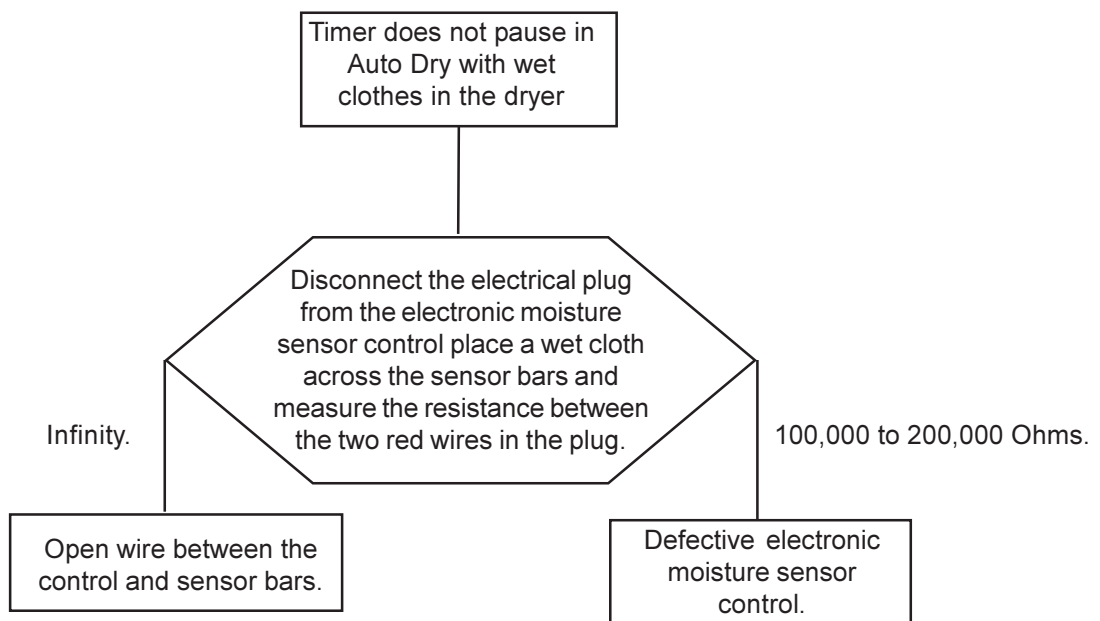
Electric and Gas dryers with electronic moisture sensor control; timer advances in Timed dry but not in Auto dry.

Note: Always check wiring to the components.



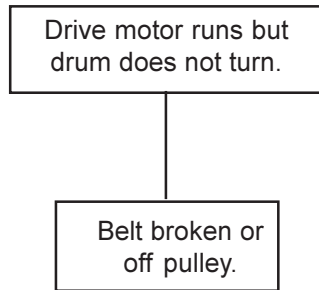
Electric and Gas dryers with electronic moisture sensor control; timer does not pause in Auto dry with wet clothes in the dryer.

Note: Always check wiring to the components.



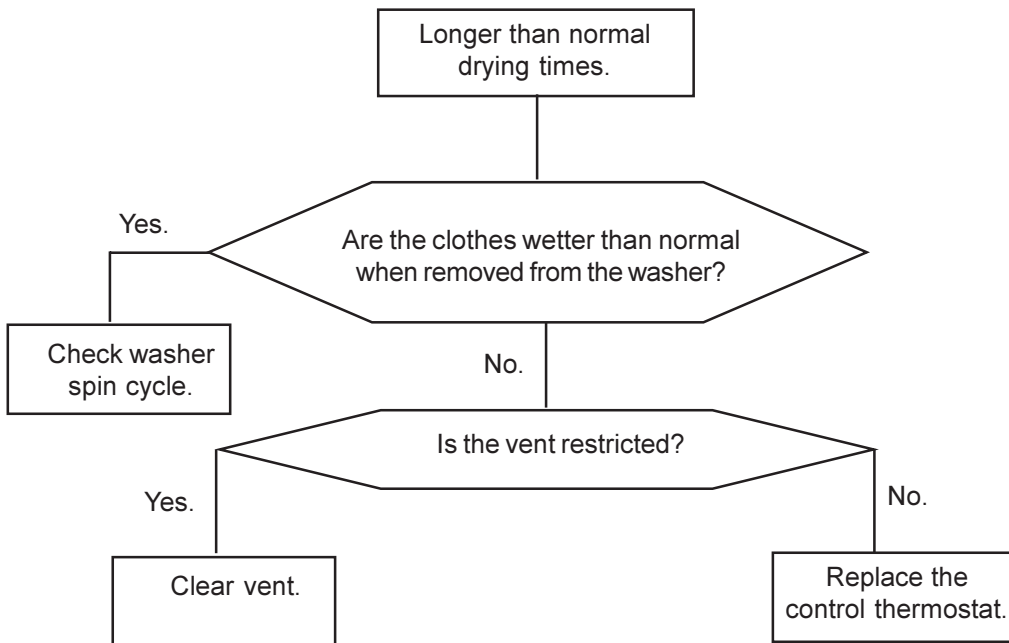
Electric and Gas dryers; blower motor runs but drum does not turn.

Note: Always check wiring to the components.



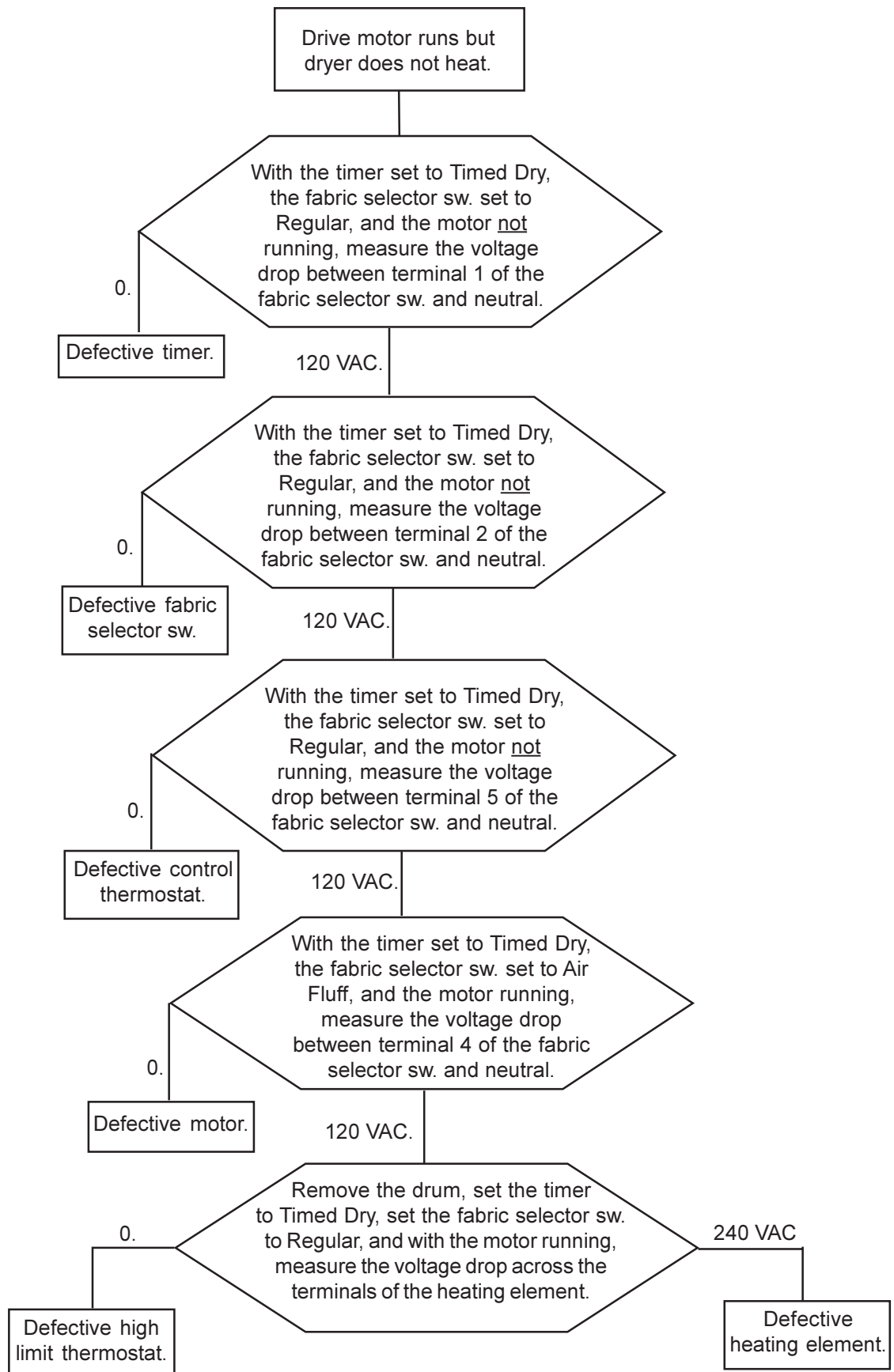
Electric and Gas dryers; longer than normal drying times.

Note: Always check wiring to the components.



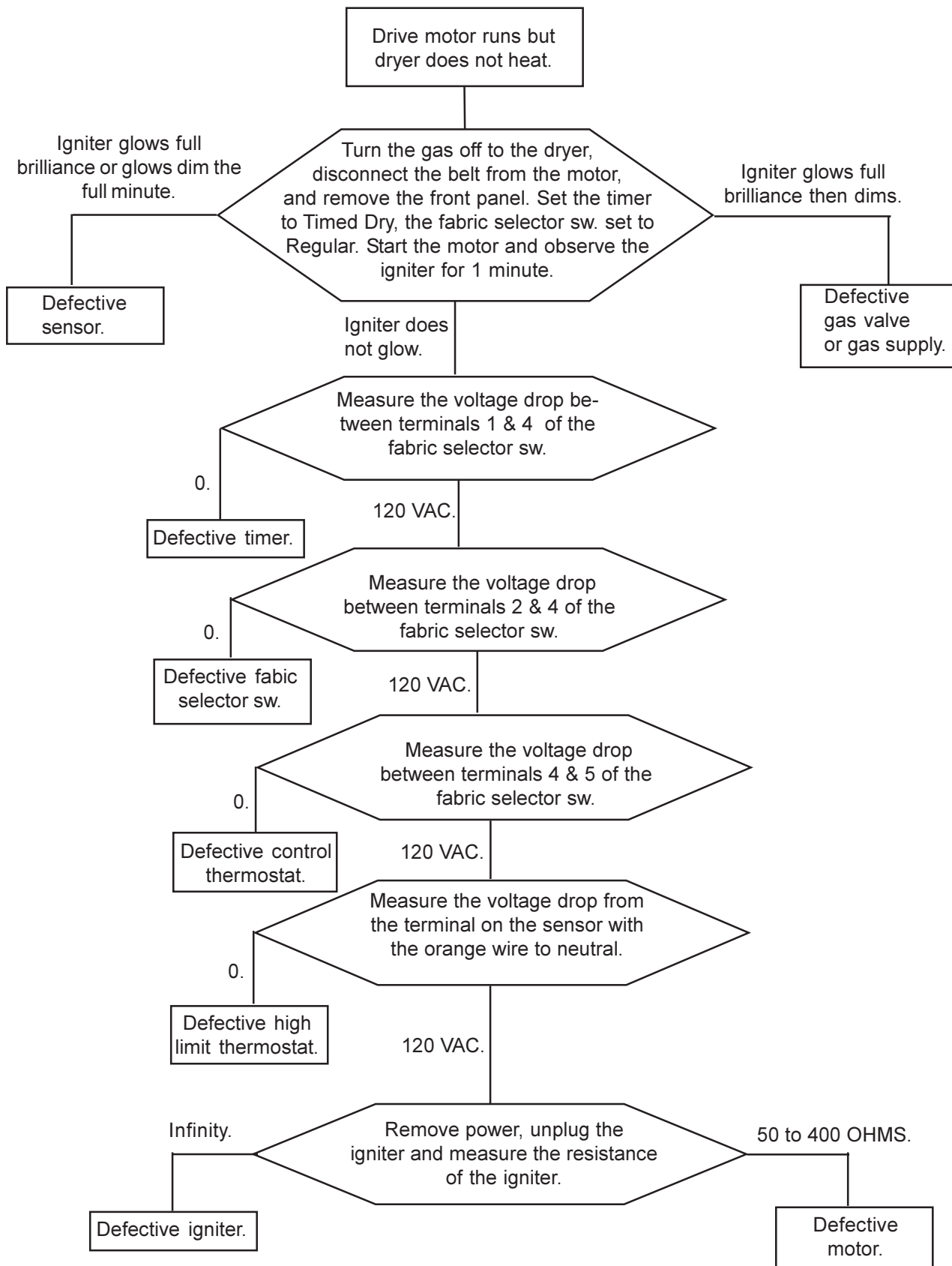
Electric dryers; blower motor runs but dryer does not heat.

Note: Always check wiring to the components.



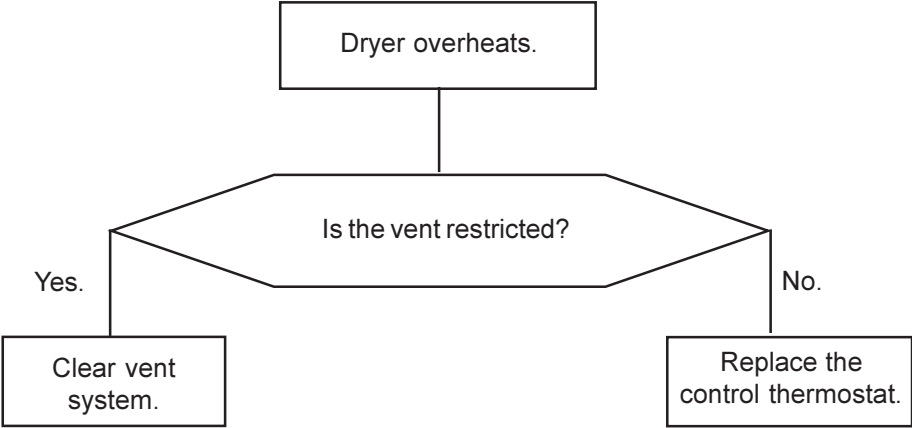
Gas dryers; blower motor runs but dryer does not heat.

Note: Always check wiring to the components.



Electric and Gas dryers; dryer over heating.

Note: Always check wiring to the components.



SECTION G - TEARDOWN

This section will describe how to remove components from both gas and electric dryer. Unless stated, the procedure will be the same on all dryers. Unless stated, reverse the procedure to reinstall the component.

⚠ WARNING Always remove electrical power from the dryer when working in an area where electrical power is present.

⚠ WARNING Always turn the gas off to the dryer before opening any gas piping.

There are two styles of dryers, those with the controls mounted on top in the rear (top console),

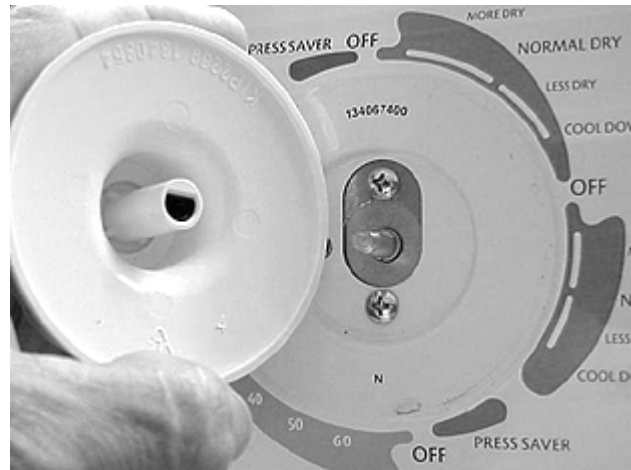


and those with the control mounted in the front (front console).



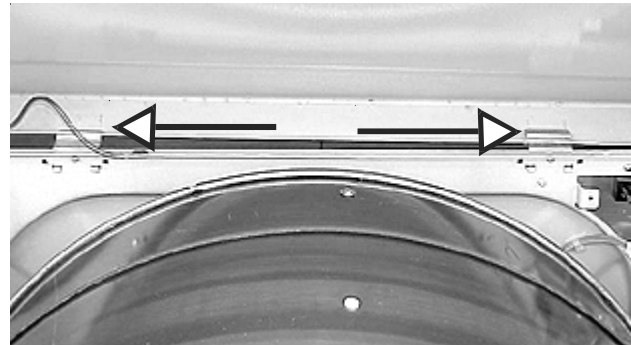
Removing the knobs:

1. The shafts of the knobs are D shaped and pull straight off.



Raising the top:

1. The top is held in the rear by hinges and slots



and in front by spring loaded clips.

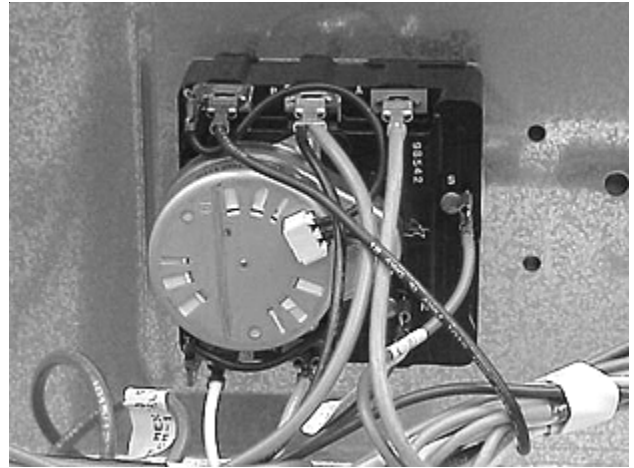


Insert a flat object, such as a putty knife, between top and front panel to release the clip and lift up on the top.



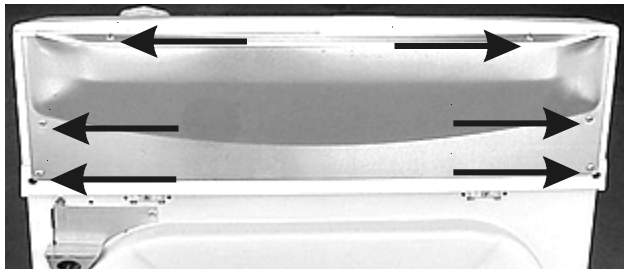
Removing the timer: (Top console models)

1. Disconnect the dryer from electrical supply.
2. Remove the timer knob and the rear panel from the console.
3. Mark and disconnect the wires from the timer.

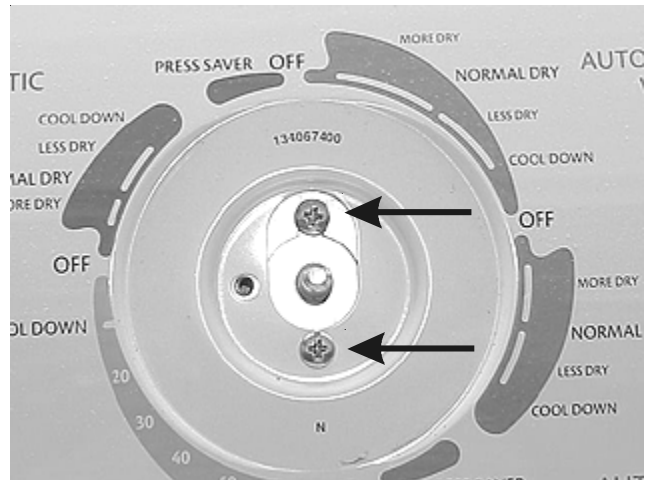


Removing the rear panel from console: (Top console models)

1. Disconnect the dryer from electrical supply.
2. Remove the four screws holding the panel to the console and the two screws holding the panel to the top.

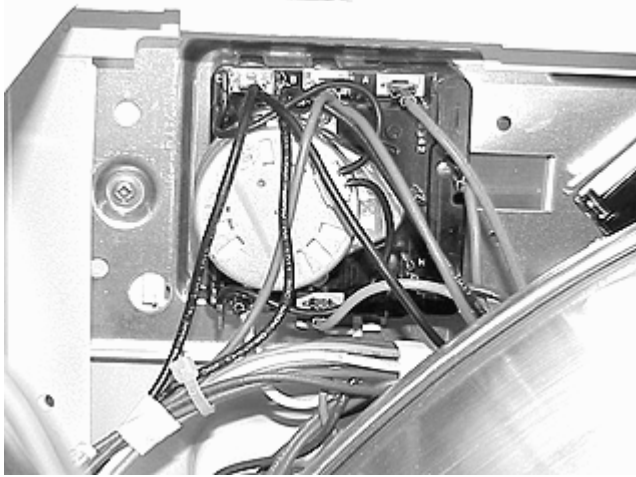


4. Remove the two screws holding timer to the console panel.

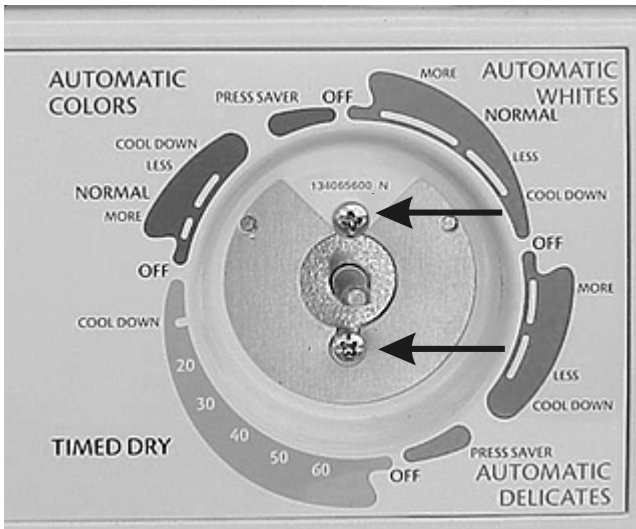


Removing the timer: (Front console models)

1. Disconnect the dryer from electrical supply.
2. Remove the timer knob and raise the top panel.
3. Mark and disconnect the wires from the timer.

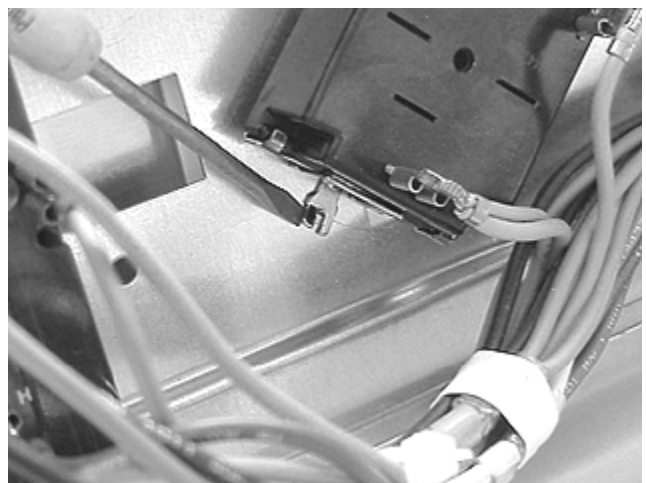
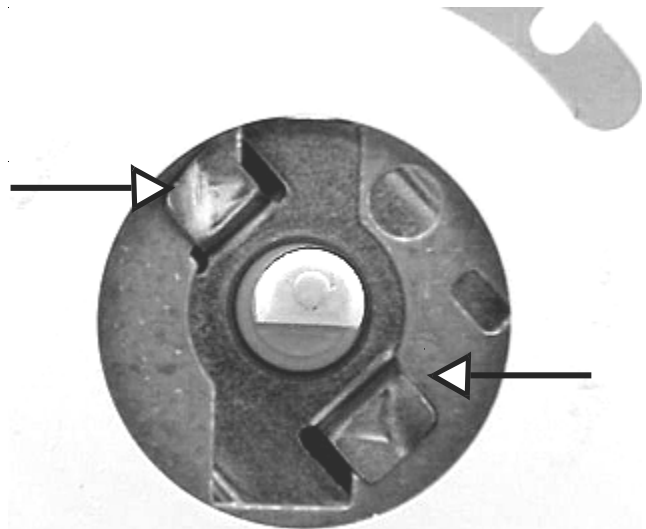


4. Remove the two screws holding timer to the console panel.



Removing the turn to start or temperature switch: (Top console models)

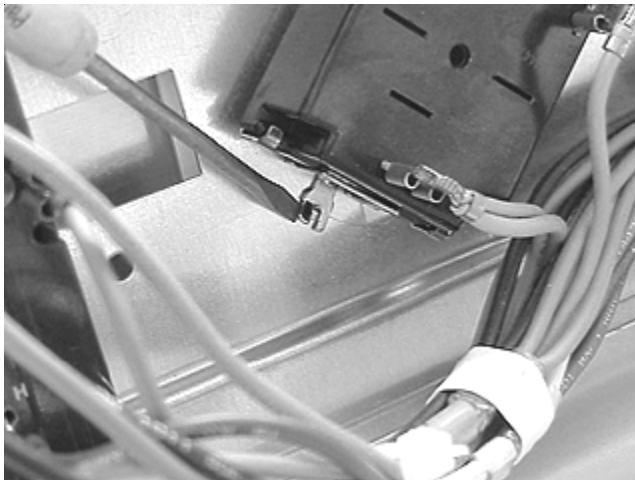
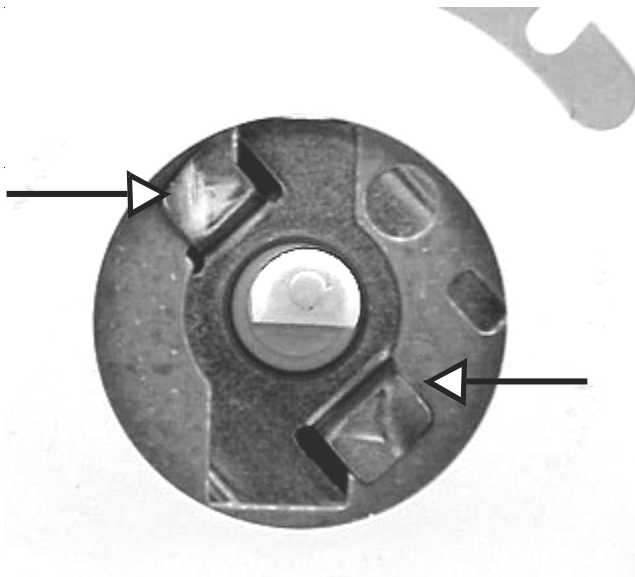
1. Disconnect the dryer from electrical supply.
2. Remove the knob from the switch and the rear panel from the console.
3. Disconnect the wires from the switch.
4. The switch is held to control mounting panel by two spring loaded ramping tabs and a locking tab.



5. Using a small screwdriver lift the locking tab, turn the switch about 1/8 of a turn counter clockwise and pull back on the switch.

**Removing the turn to start or temperature switch:
(Front console models)**

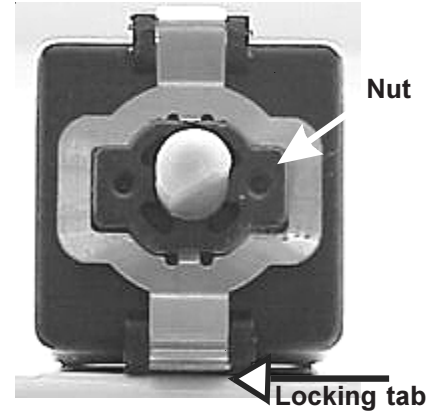
1. Disconnect the dryer from electrical supply.
2. Remove the knob from the switch, lift the top, disengage the front panel and lean it forward.
3. Disconnect the wires from switch.
4. The switch is held to control mounting panel by two spring loaded ramping tabs and a locking tab.



5. Using a small screwdriver lift the locking tab, turn the switch about 1/8 of a turn counter clockwise and pull back on the switch.

**Removing the press saver option or end of cycle
chime switch: (Top console models)**

1. Disconnect the dryer from electrical supply.
2. Remove the knob from the switch and remove the rear panel of the console.
3. Disconnect the wires from the switch.
4. The switch is held to the control mounting by a spring loaded nut and a locking tab.

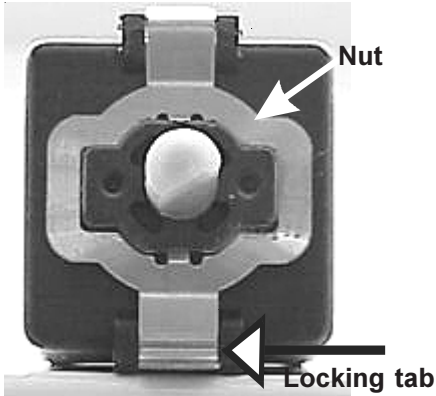


5. Using a small screwdriver push in on the locking tab, turn the switch one half turn and pull it out the rear.



Removing the press saver option switch: (Front console models)

1. Disconnect the dryer from electrical supply.
2. Remove the press saver option sw. knob, lift the top, disengage the front panel and lean it forward.
3. Disconnect the wires from press saver option sw.
4. The switch is held to the control mounting by a spring loaded nut and a locking tab.

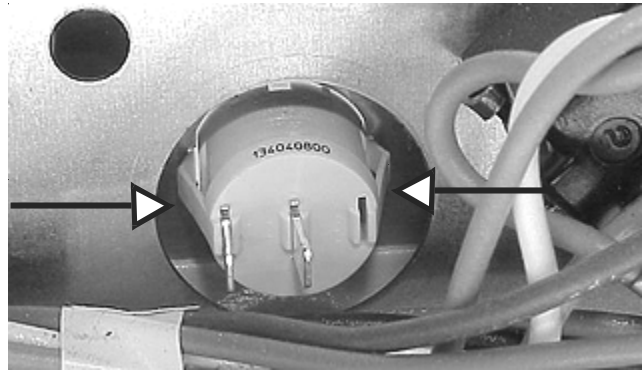


5. Using a small screwdriver push in on the locking tab and turn the switch one half turn and pull it out the rear.



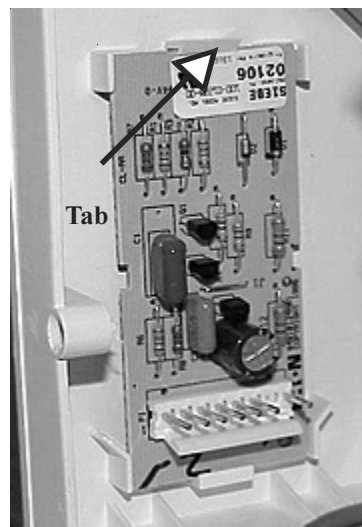
Removing the end of cycle chime switch: (Front console models)

1. Disconnect the dryer from electrical supply.
2. Lift the top, disengage the front panel and lean it forward.
3. Disconnect the wires from the end of cycle chime sw.
4. Squeeze the tabs on the side of the switch and push the switch out the front.



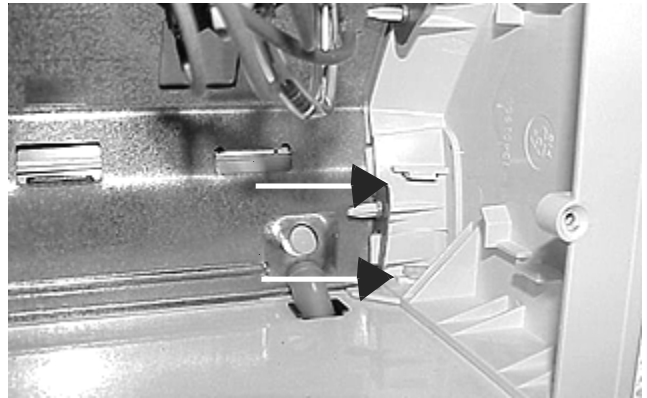
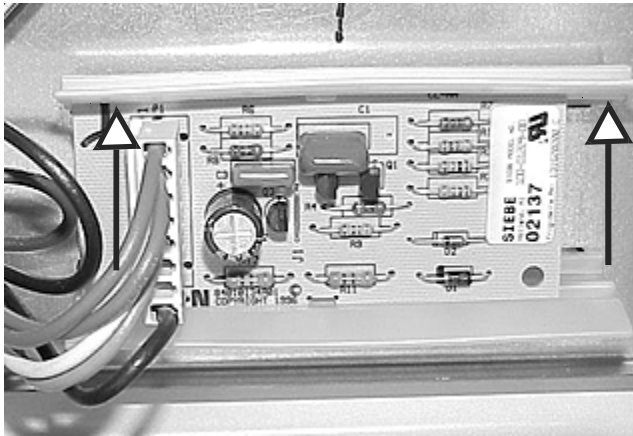
Removing the electronic moisture sensor control: (Top console models)

1. Disconnect the dryer from electrical supply.
2. Remove the back panel from the console and unplug the harness from the electronic moisture sensor control.
3. Push up on the top tab to release the control.



**Removing the electronic moisture sensor control:
(Front console models)**

1. Disconnect the dryer from electrical supply.
2. Lift the top, disengage the front panel and lean it forward.
3. Unplug the harness from the electronic moisture sensor control.
4. Lift the top bracket to release the control.

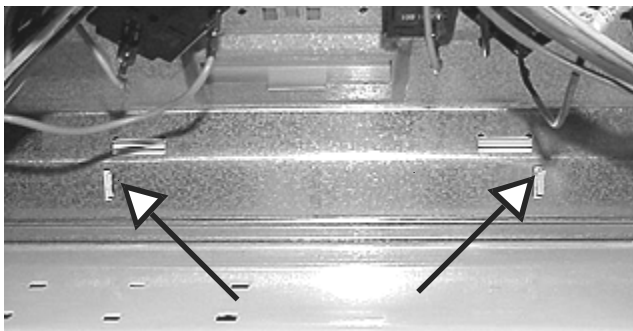


Removing the console: (Top console models)

1. Disconnect the dryer from electrical supply.
2. Remove the back panel and skirt from the console and disconnect the components from the console.
3. The console is held to the top panel by three slotted tabs molded into each end cap and two screws behind the skirt. Remove the two screws, slide the console forward and lift up.

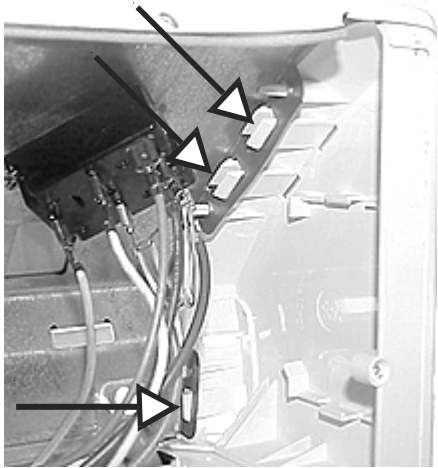
Removing the top console skirt: (Top console models)

1. Disconnect the dryer from electrical supply.
2. Remove the back panel from the console.
3. With a small screwdriver, release the two tabs in the center and the two tabs on each end that hold the front shield to the end caps and console mounting panel.



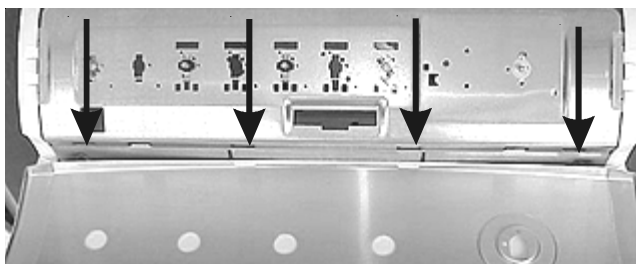
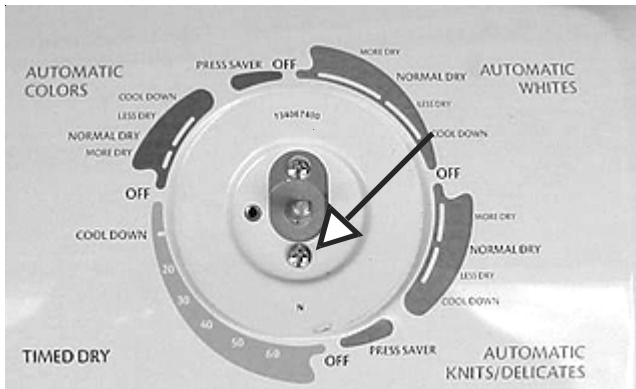
Removing the end caps: (Top console models)

1. Disconnect the dryer from electrical supply.
2. Disengage the console from the top.
3. Release the two tabs at the top and one tab at the front.



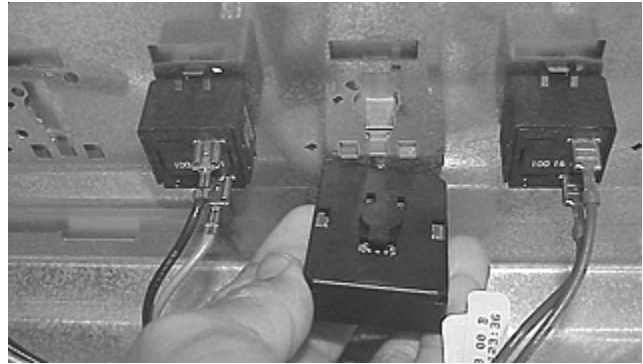
Removing the console's front panel: (Top console models)

1. Disconnect the dryer from electrical supply.
2. Remove the knobs and skirt from the console.
3. Remove the lower screw holding the timer and roll the top of the panel forward to disengage bottom tabs of the panel.



Removing the buzzer: (Top console models)

1. Disconnect the dryer from electrical supply.
2. Remove the console's back panel and disconnect the wires from the buzzer.
3. Turn the buzzer about 1/8 of a turn counter clockwise.



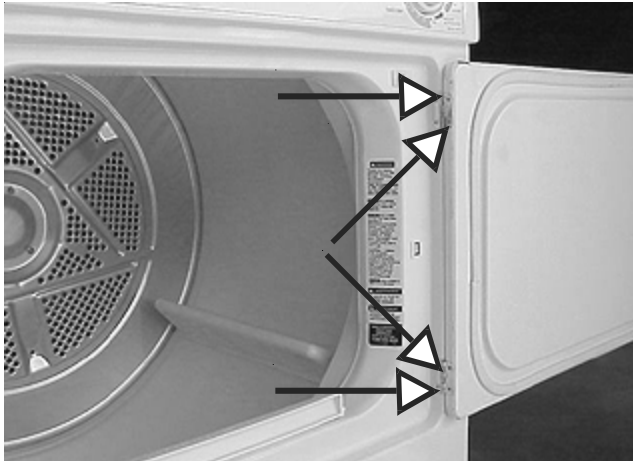
Removing the buzzer: (Front console models)

1. Disconnect the dryer from electrical supply.
2. Raise the top, lean the front panel forward and disconnect the wires from the buzzer.
3. Turn the buzzer about 1/8 of a turn counter clockwise.



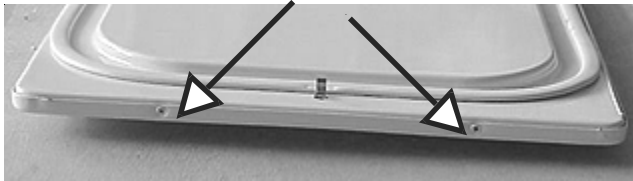
Removing the door:

1. Open the door and remove the four screws holding the door to the hinges.



Separating the door panel:

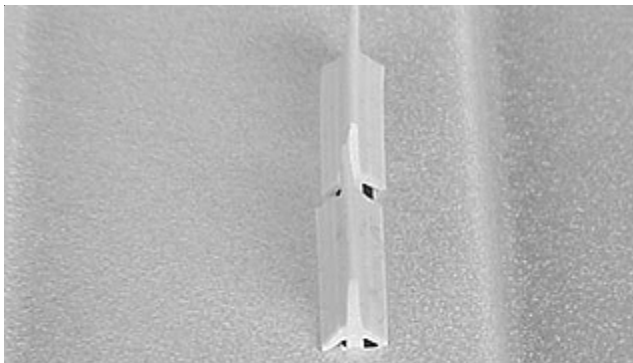
1. Remove the door.
2. Remove the two screws from the end and two screws from the bottom.



3. Lift the inner panel off the outer panel.

Removing the door seal:

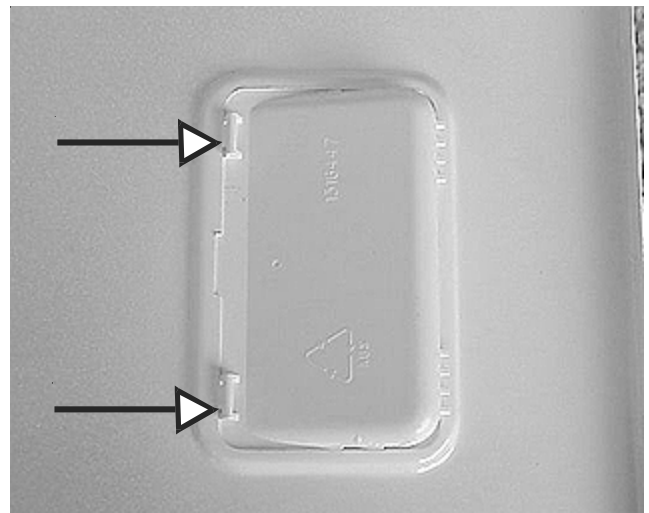
1. The door seal is fasten to the inner door liner by expandable tabs pushed through slots in the liner.



2. If the seal is to be replaced open the door and pull the seal from the liner. If the seal is to be reused, separate the panels and use a small screwdriver to push the tabs through the liner.

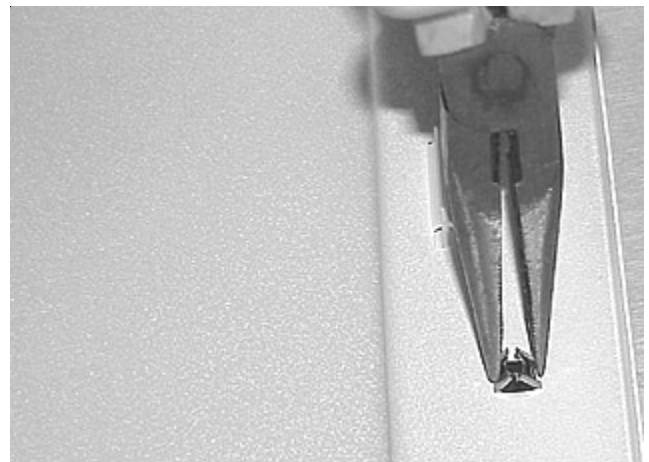
Removing the door handle:

1. Separate the panel and release the tabs holding the handle in outer panel.



Removing the door strike:

1. Separate the panel, squeeze the ends of the strike and push it through the inner panel.



Removing the door catch:

1. Disconnect the dryer from electrical supply, open the door and raise the top panel.
2. Push up and forward and down and forward on the rear of the catch moving the catch forward until the metal tabs hit the front panel.
3. Release the metal tabs with a small screwdriver and push the catch out the front.



Removing the door hinge:

1. Open and support the door.
2. Remove the two screws holding the hinge to the front panel and the two screws holding the hinge to the door.



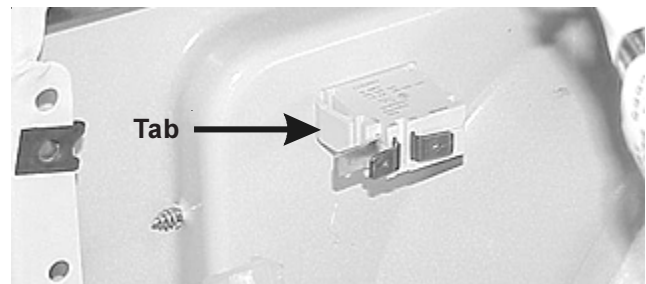
Releasing the top of the front panel:

1. Disconnect the dryer from electrical supply and raise the top.
2. Remove one screw from each side, located about 6 inches down from the top, that holds the front panel to the side panel.
3. Release the clips holding the front panel to the side panels and gently lean the panel forward.



Removing the door switch:

1. Disconnect the dryer from electrical supply, open the door and raise the top.
2. Disconnect the wires from the door switch. (With front console models lean the front panel forward)
3. Squeeze the release tabs on the ends of the switch and push it out the front.



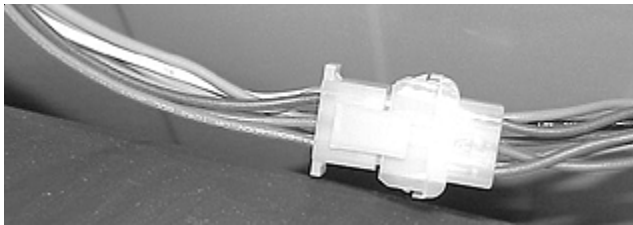
Removing the clips that hold the front of the top down:

1. Disconnect the dryer from electrical supply and raise the top.
2. Squeeze the clip and pull it forward and lift up.

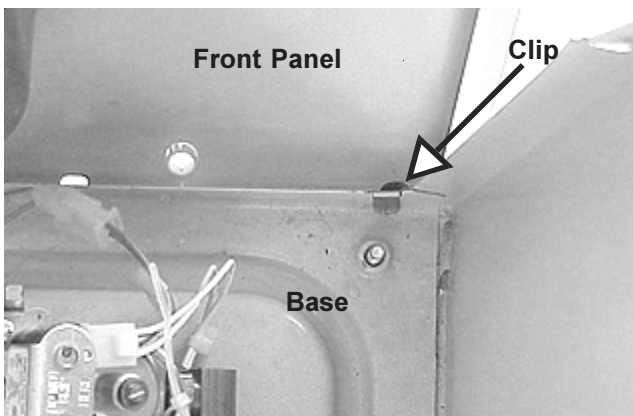


Removing the front panel:

1. Disconnect the dryer from electrical supply and raise the top.
2. Disconnect the console harness from the main harness.

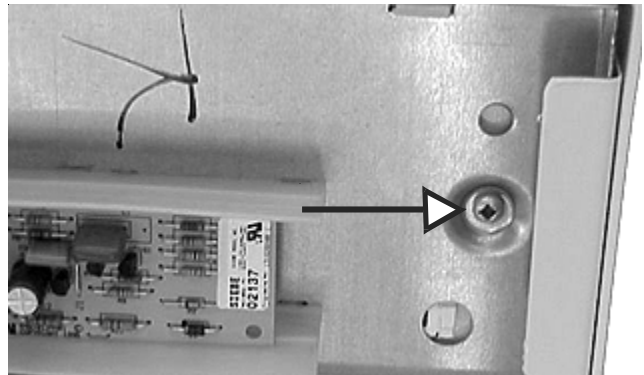


3. Top console models, Lean the top of the panel out and lift it off of the two clips at the bottom.



Removing the console: (Front console models)

1. Disconnect power from the dryer and remove the front panel from the dryer.
2. Unplug the harness to the sensor bars and disconnect the wires from the door switch and the drum light.
3. Remove the two screws, one on each side, that hold the console to the front panel and lift the console up.

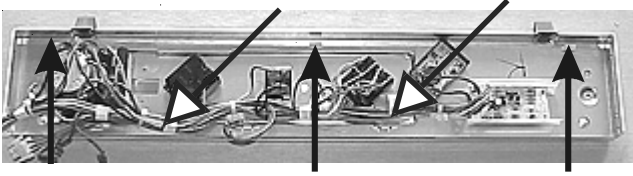


Separating the front console panel and the control mounting panel: (Front console models)

1. Disconnect the dryer from electrical supply.
2. Remove the console from the front panel.
3. Remove the top mounting screw from the timer.



4. Release the five tabs, three at top and two at the bottom.



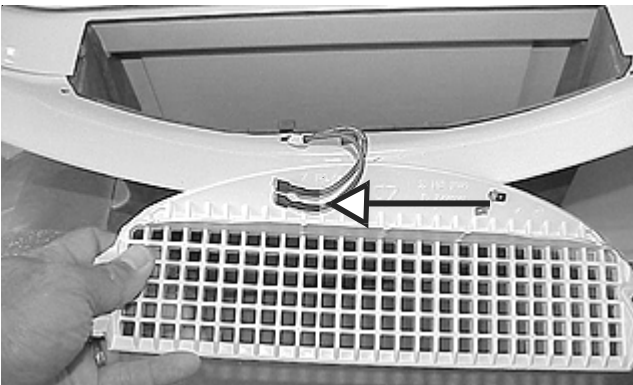
5. Slide the console panel up to disengage it from the control mounting panel.

Removing the sensor bars:

1. Disconnect the dryer from electrical supply.
2. Open the dryer door and remove the lint screen.
3. Remove the two screws holding the vent grill to the front panel.

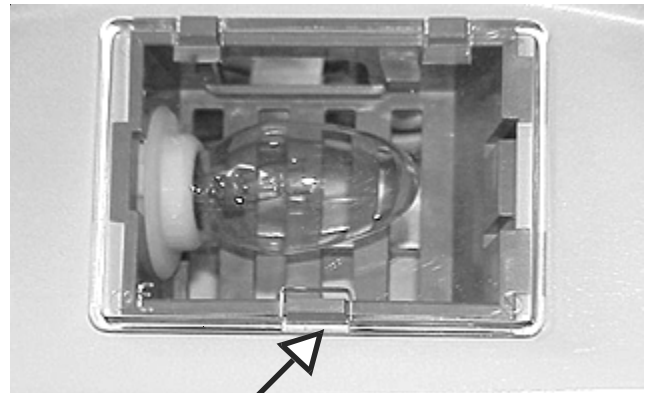


4. Pull the grill into the drum and disconnect the wires.



Replacing the drum light bulb:

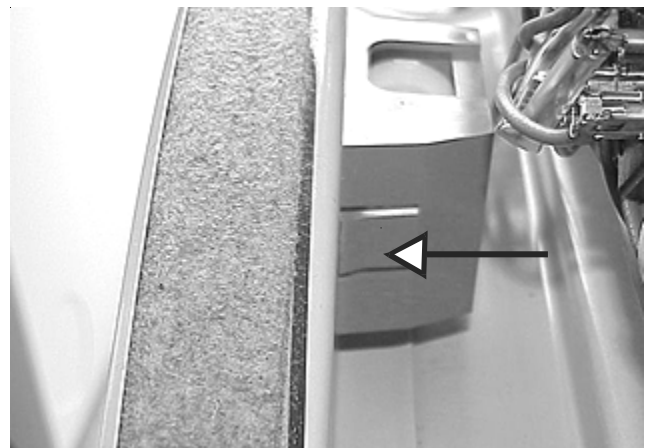
1. Open the dryer door, release the clip holding the light shield by pushing up, and unscrew the bulb.



Clip

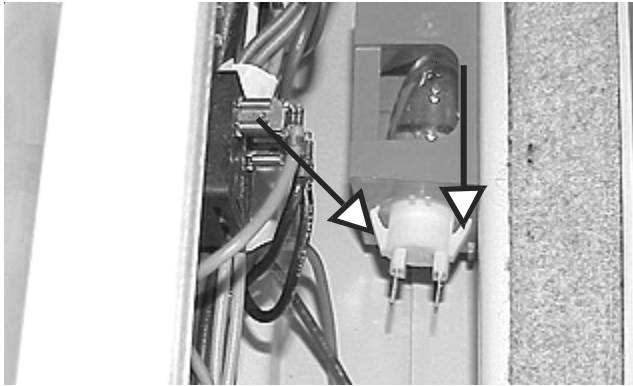
Replacing the drum light housing:

1. Disconnect the dryer from electrical supply.
2. Raise the top and disconnect the wires from the light socket.
3. Push in to release the tab at the end of the housing and push the housing into the drum.



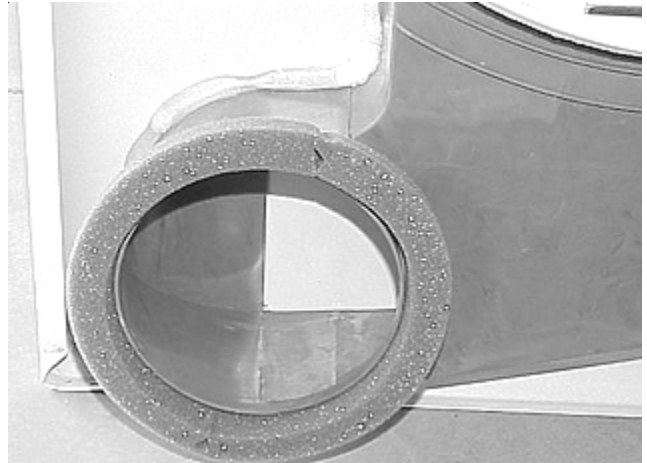
Replacing the drum light socket:

1. Disconnect the dryer from electrical supply.
2. Raise the top and disconnect the wires from the light socket.
3. Remove the light bulb, squeeze the tabs on the side of the socket and push the socket into the housing.



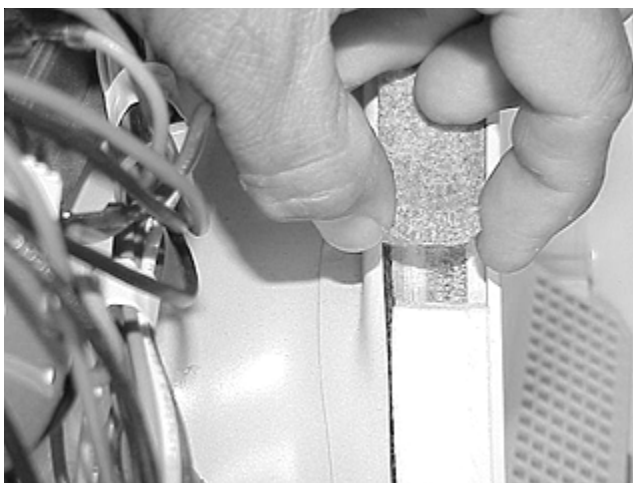
Replacing the foam seal:

1. Disconnect the dryer from electrical supply.
2. Remove the front panel.
3. The foam seal is glued to front panel duct and seals between the front panel duct and the blower.
4. To replace the seal pull the seal off and glue the replacement to the duct.



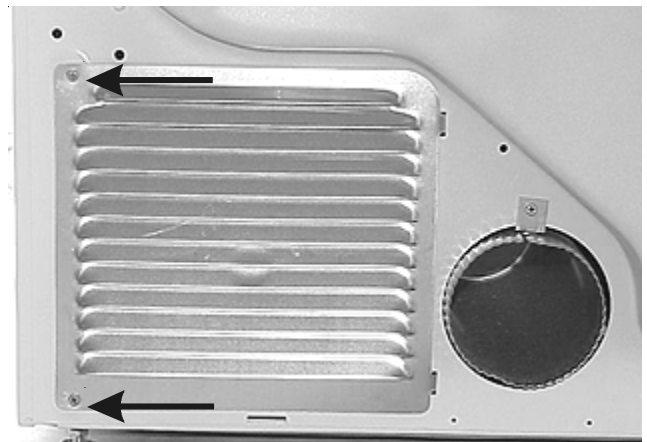
Replacing the felt seal:

1. Disconnect the dryer from electrical supply.
2. Remove the front panel.
3. The felt seal is a two piece seal that is glued to front panel rim that the drum rides on.
4. To replace the seal pull the seal off and glue the replacement to the rim.



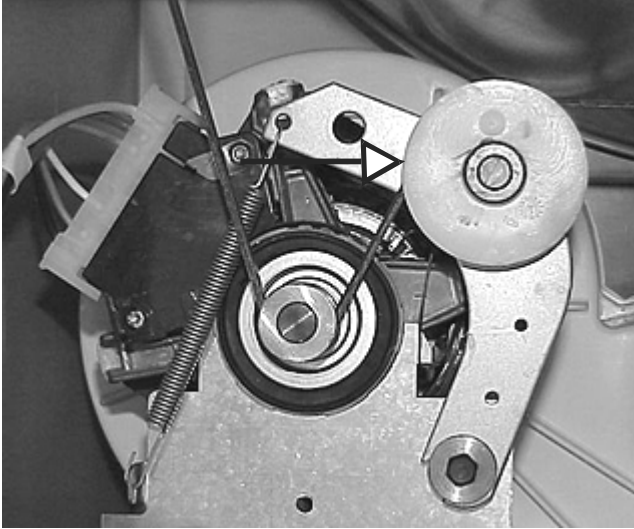
Removing the rear access panel:

1. Remove the two screws holding the access panel to the rear panel and swing the left side of the vent out to disengage the tabs.



Releasing the dryer belt:

1. Remove the access panel.
2. Push the idler pulley to the right and slip the belt off the motor pulley.



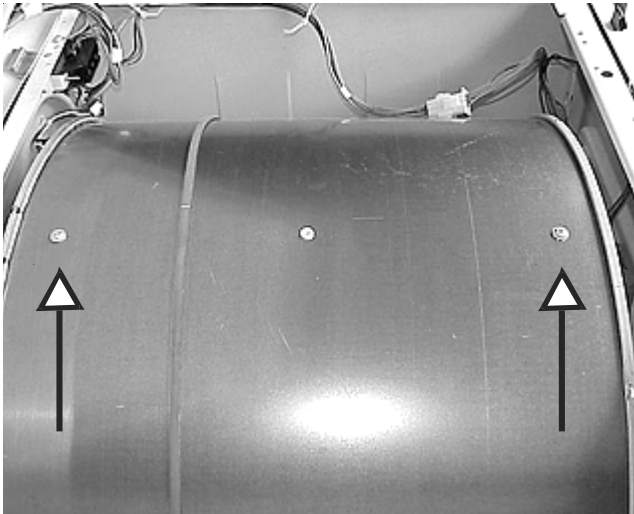
Removing the drum:

1. Disconnect the dryer from electrical supply.
2. Raise the top and remove the front panel.
3. Release the belt from the motor.
4. Use the belt to raise rear of the drum to release the ball from the hitch and move the drum out the front.



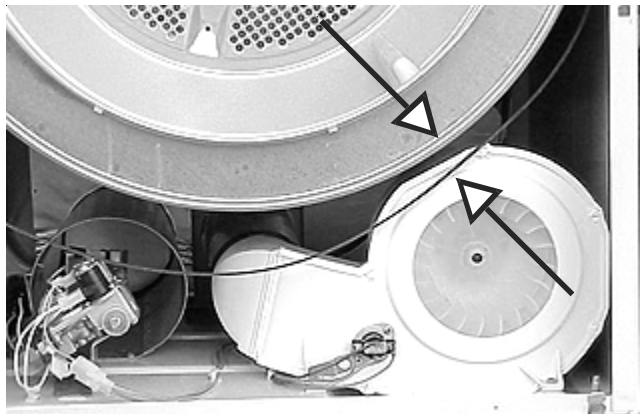
Removing the vane from the drum:

1. Disconnect the dryer from electrical supply.
2. Open the door, raise the top, remove the two screws holding the vane to the drum and drop the vane into the drum.



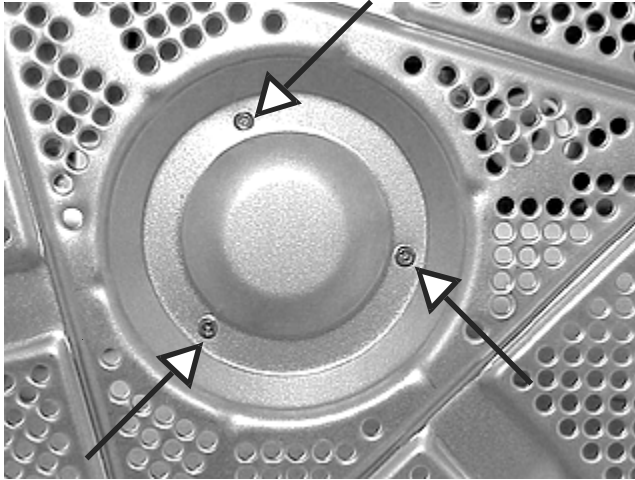
Removing the belt:

1. Disconnect the dryer from electrical supply.
2. Raise the top and remove the front panel.
3. Release the belt from the motor.
4. From the front, slightly raise the front of the drum and slide the belt off.



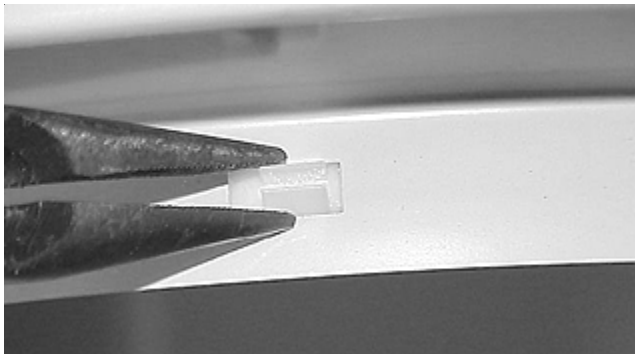
Removing the ball hitch from the drum:

1. Disconnect the dryer from electrical supply and remove the drum.
2. Remove the three screws from inside the drum holding the ball to the drum.



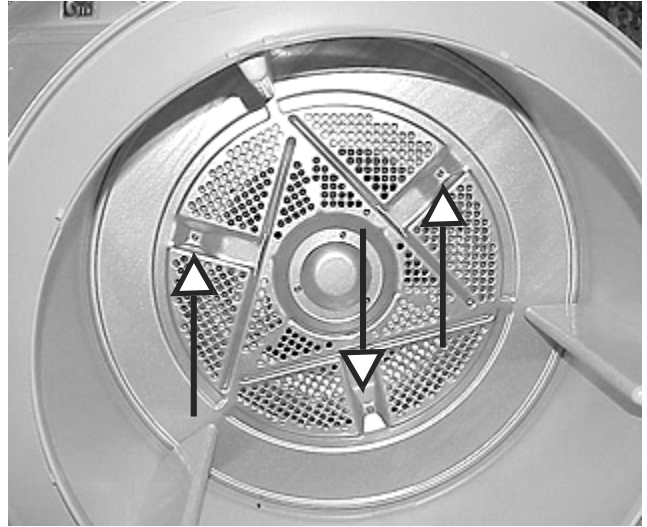
Removing the teflon glides:

1. Disconnect the dryer from electrical supply and remove the drum.
2. Squeeze the tabs to release the glides.



Removing the drum heat shield: (Electric dryers)

1. Disconnect the dryer from electrical supply and remove the drum.
2. Remove the three screws holding the shield to the rear of the drum.

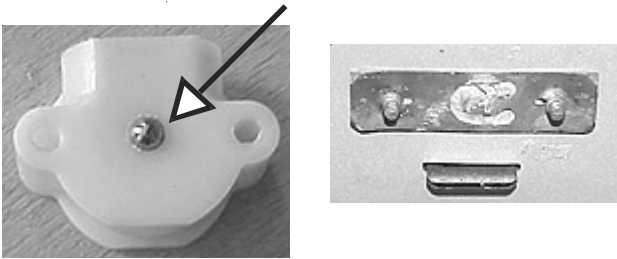


Removing the hitch:

1. Disconnect the dryer from electrical supply and remove the drum.
2. Using a 5/16" nut driver remove the two screws holding the hitch to the rear panel while holding the large tinnerman clip from the rear of the dryer.

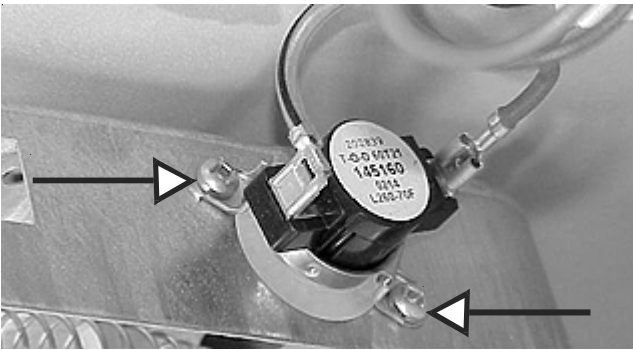


Note: Do not lose the grounding ball or the tinnerman mounting clip from the rear of the dryer.



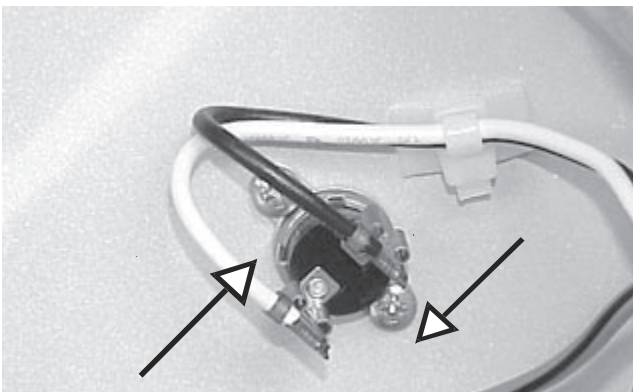
Removing the high limit thermostat:

1. Disconnect the dryer from electrical supply and remove the drum.
2. Disconnect the two wires and remove the two screws holding thermostat to the heating element assembly.



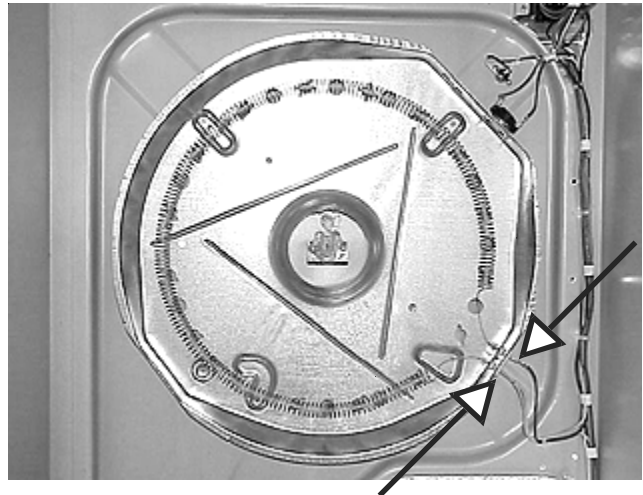
Removing the thermal limiter: (Electric dryers)

1. Disconnect the dryer from electrical supply and remove the drum.
2. Disconnect the two wires and remove the two screws holding limiter to the rear panel.

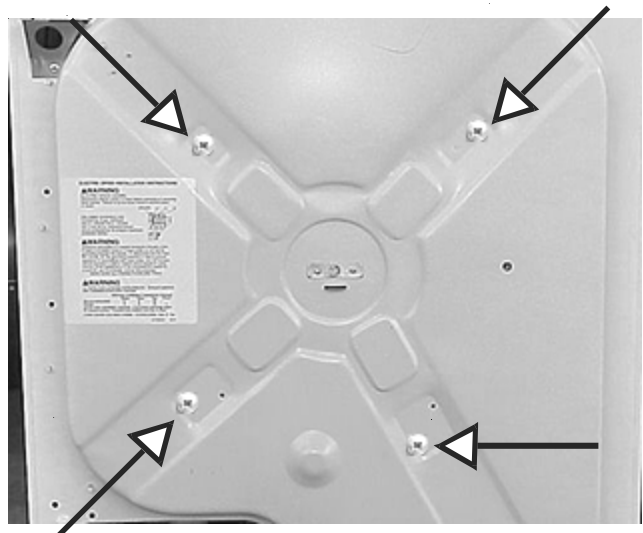


Removing the heating element assembly: (Electric dryers)

1. Disconnect the dryer from electrical supply and remove the drum.
2. Disconnect the two wires from the heating element.
3. Remove the high limit thermostat.

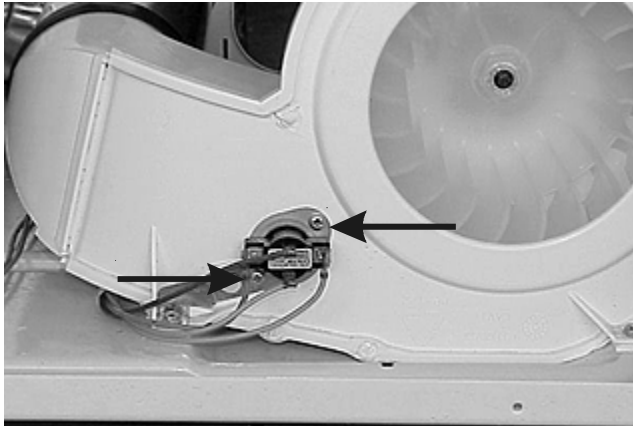


4. From the rear of the dryer remove the four screws securing the heating element assembly to the rear of the cabinet.

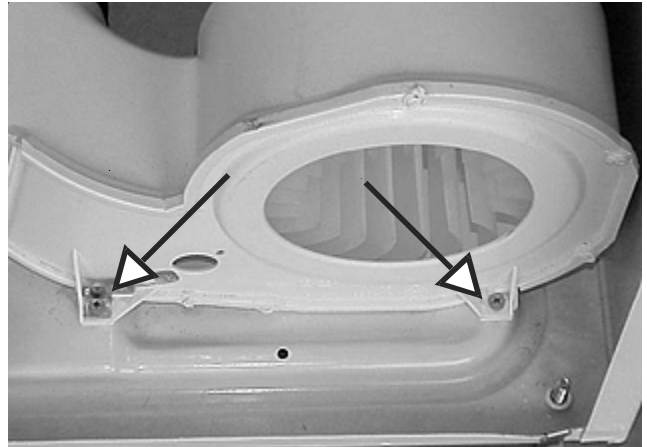


Removing the control thermostat:

1. Disconnect the dryer from electrical supply and remove the front panel.
2. Disconnect the wires from the thermostat and remove the two screws holding the thermostat to the blower housing.



4. Remove two screws holding the housing to the dryer base.

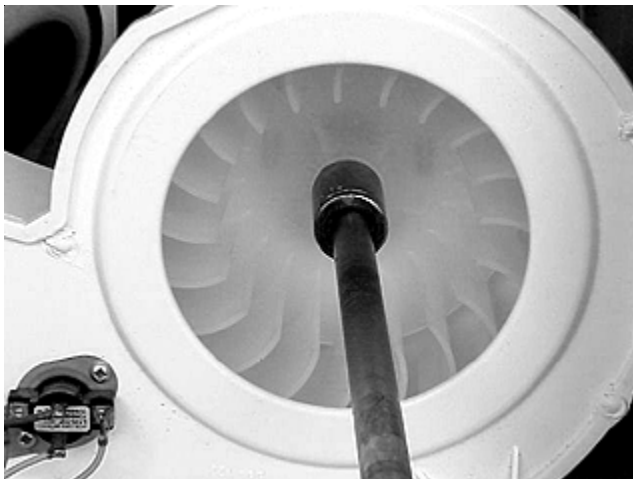


5. Remove the front motor lock by inserting a screwdriver at the rear of the housing to release the housing from the motor.



Removing the blower housing and fan blade:

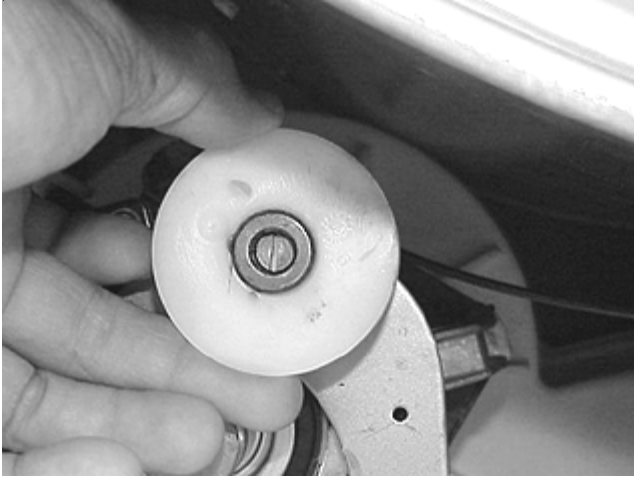
1. Disconnect the dryer from electrical supply and remove the drum.
2. Remove the control thermostat.
3. Using a 7/8" socket turn the fan blade clockwise while holding the motor shaft to remove the blade from the motor shaft.



6. Raise the front of the motor and pull the housing forward.

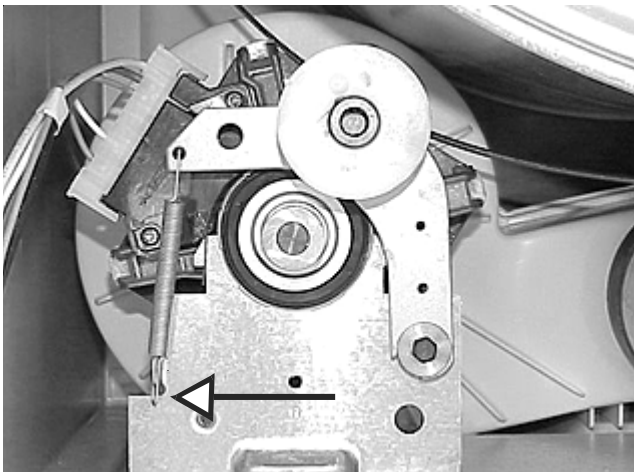
Removing the idler pulley:

1. Disconnect the dryer from electrical supply and remove the rear vent.
2. Release the belt from the motor pulley and slide the idler pulley off.



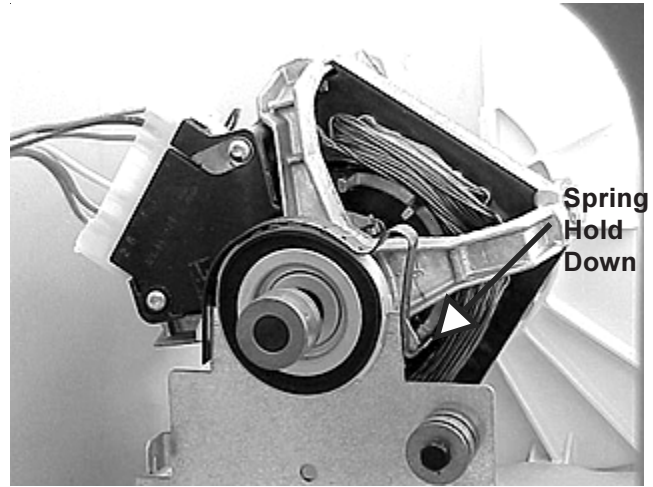
Removing the idler pulley assembly:

1. Disconnect the dryer from electrical supply and remove the rear vent.
2. Release the belt from the motor pulley.
3. Release the idler spring from the motor and lift the assembly off the motor.



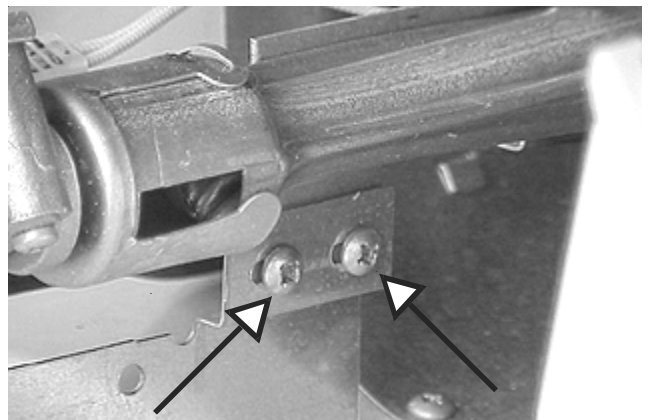
Removing the drive motor:

1. Disconnect the dryer from electrical supply and remove the drum.
2. Unplug the harness from the motor and remove the idler assembly.
3. Unscrew the blower wheel from motor shaft.
4. Release the front motor lock from the blower housing.
5. Release the spring hold down on the rear of the motor and lift the motor out.



Removing the burner: (Gas dryers)

1. Disconnect the dryer from electrical supply and remove the front panel.
2. Unplug the igniter, remove the two screws holding the burner to the valve assembly bracket, and slide the burner into the combustion chamber to release burner from the valve.

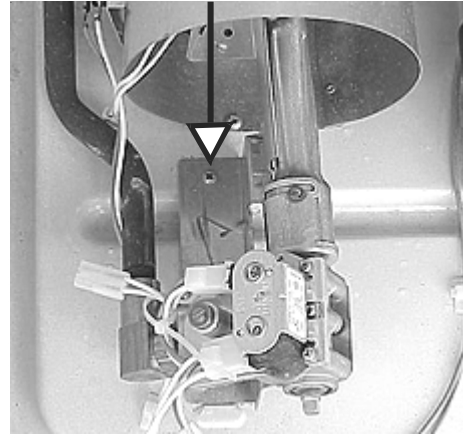


Removing the ignitor: (Gas dryers)

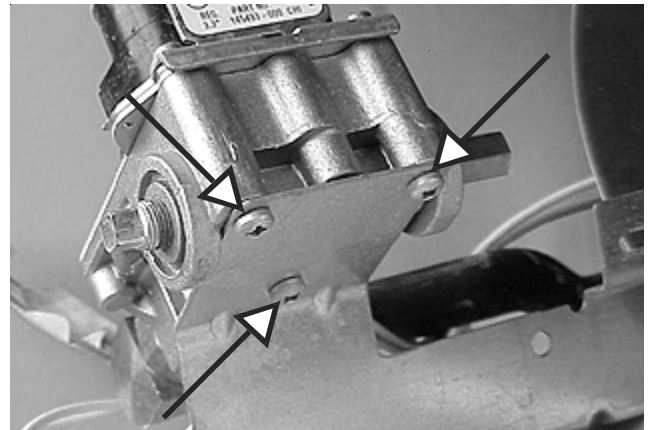
1. Disconnect the dryer from electrical supply and remove the burner.
2. Using a screwdriver, release the spring clip holding the ignitor to the burner.



4. Remove the one screw securing the gas valve assembly bracket to the base, slide the gas valve assembly forward and lift the gas valve assembly out.



5. Remove the three screws holding the valve to the bracket.



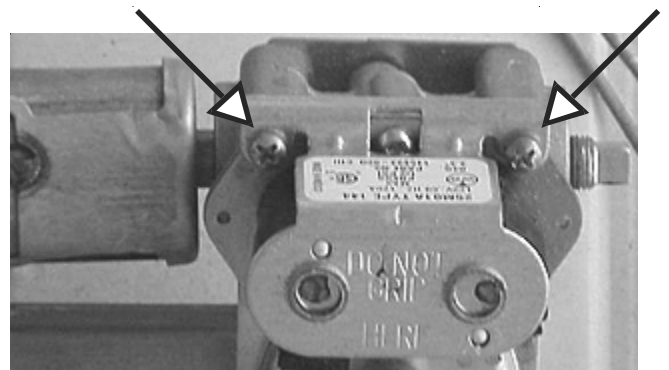
Removing the gas valve assembly: (Gas dryers)

1. Turn the gas supply off and disconnect the dryer from electrical supply
2. Unplug the wires from the valves
3. Using a 15/16" open end wrench, disconnect the manifold pipe from the valve.



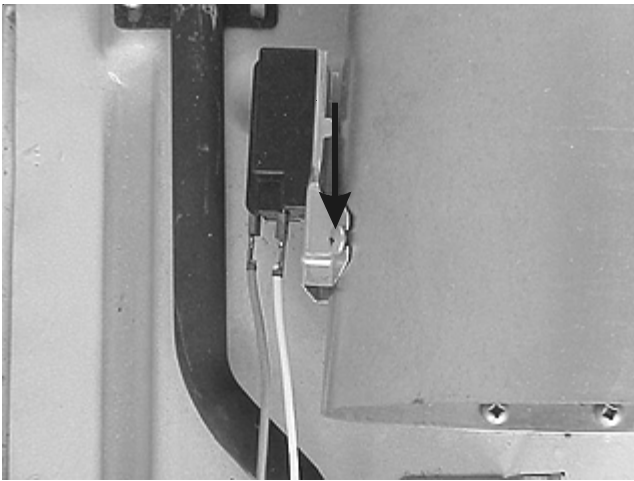
Removing the gas valve coils: (Gas dryers)

1. Disconnect the dryer from electrical supply and remove the front panel.
2. Disconnect the wires from the coils, remove the two screws holding the coil bracket to the valve base and lift the coils off.



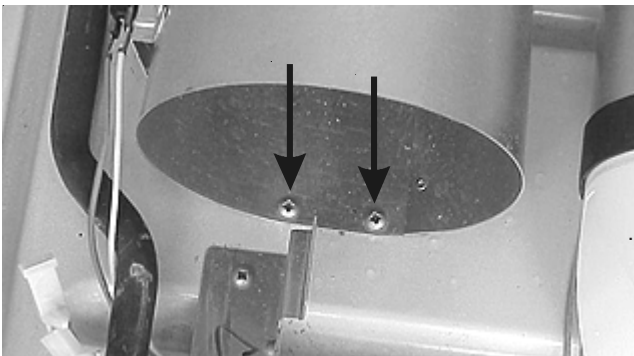
Removing the sensor: (Gas dryers)

1. Disconnect the dryer from electrical supply and remove the front panel.
2. Disconnect the two wires from the sensor.
3. Remove the one screw holding the sensor to the combustion chamber.



Removing the combustion chamber: (Gas dryers)

1. Disconnect the dryer from electrical supply, remove the sensor and gas valve assembly.
2. Remove the two screws holding the combustion chamber to the base, raise the end and pull the chamber out of the duct.

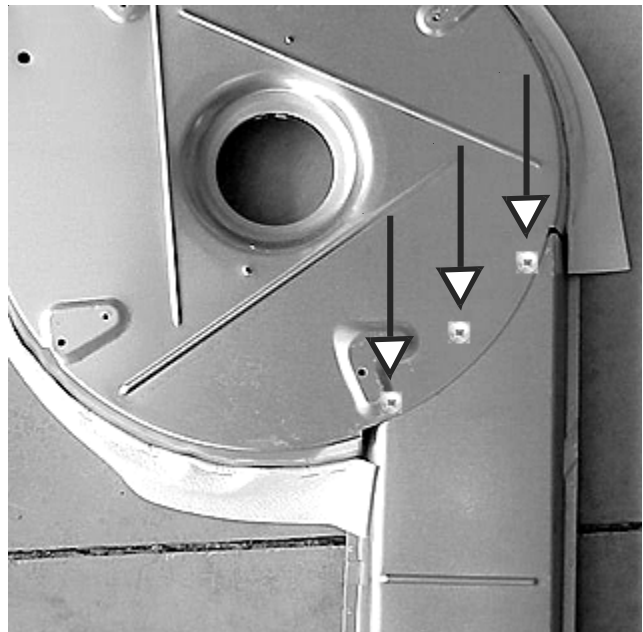


Removing the duct and heat shield: (Gas dryers)

1. Disconnect the dryer from electrical supply, remove the drum.
2. Remove four screws holding the heat shield to the rear panel.



3. Lift the shield and duct out of the dryer and remove the three screws holding duct to the heat shield.

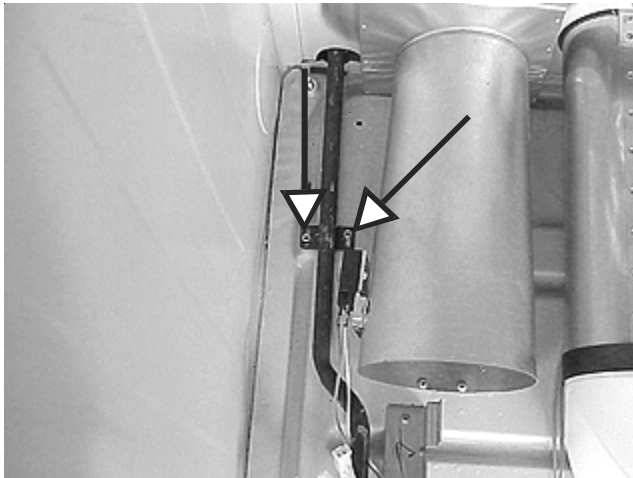


Removing the manifold pipe: (Gas dryers)

1. Disconnect the dryer from electrical supply.
2. Turn the gas supply off and disconnect the gas supply from the dryer.
3. Remove dryer front panel.
4. Using a 15/16" open end wrench disconnect manifold pipe from the valve.

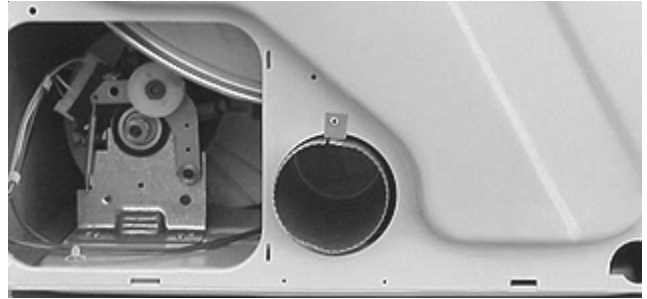


5. Remove the two screws holding the manifold pipe to the base and lift the pipe out.



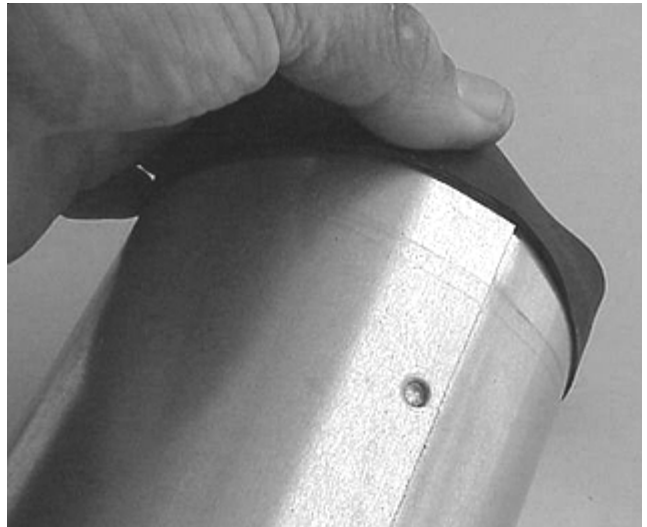
Removing the vent pipe: (Gas dryers)

1. Remove the one screw holding vent to the rear panel and pull the vent pipe out the back.



Removing the gasket between the vent pipe and blower housing : (Gas dryers)

1. Disconnect the dryer from electrical supply.
2. Remove front panel and slide the gasket completely on to the vent pipe.
3. Remove the vent pipe out the rear of the dryer and remove the gasket from the vent pipe.



4. When reinstalling, install the gasket on the vent pipe, install the vent pipe in the dryer and slide half of the gasket on to the blower housing from the front of the dryer.

