

Electronic SmartLoad Dryer



Models
DEGX1 US
DGGX1 US

PRODUCTS

Brand Fisher & Paykel

Model	Code	Voltage
DEGX1	96010	220-240V 60Hz
DGGX1	96011	120V 60Hz

Fisher & Paykel Customer Services
27 Hubble
Irvine
California
CA92618 USA
Tel: 888-936-7872
Fax: 949-790-8913
Email: parts.order@FisherPaykel.com

CONTENTS

TOP DECK AND ELECTRONICS.....	6
CABINET, DRUM AND INLET DUCT	8
OUTLET DUCT	12
CHASSIS COMPONENTS & MOTOR ASSEMBLY	14
SUBDECK ASSEMBLY & DRUM DOOR ASSEMBLY	16
BASE PANEL AND COMPONENTS - ELECTRIC.....	18
BASE PANEL AND COMPONENTS - GAS.....	20
NOTES.....	23

GUIDE TO USING THIS MANUAL

The model(s) and/or series covered by this manual are listed on the front cover.

The information detailed in this manual is subject to change without notice, the latest version is indicated by the reprint date and replaces any earlier editions.

The front cover picture shows the type of product and may not necessarily be an exact image of the models covered by the manual.

Part References

Where a Model is shown, the part is exclusive to the Model(s) stated. Common parts relating to a part reference are applicable to all other Model(s) which use the particular item.

Kit Parts

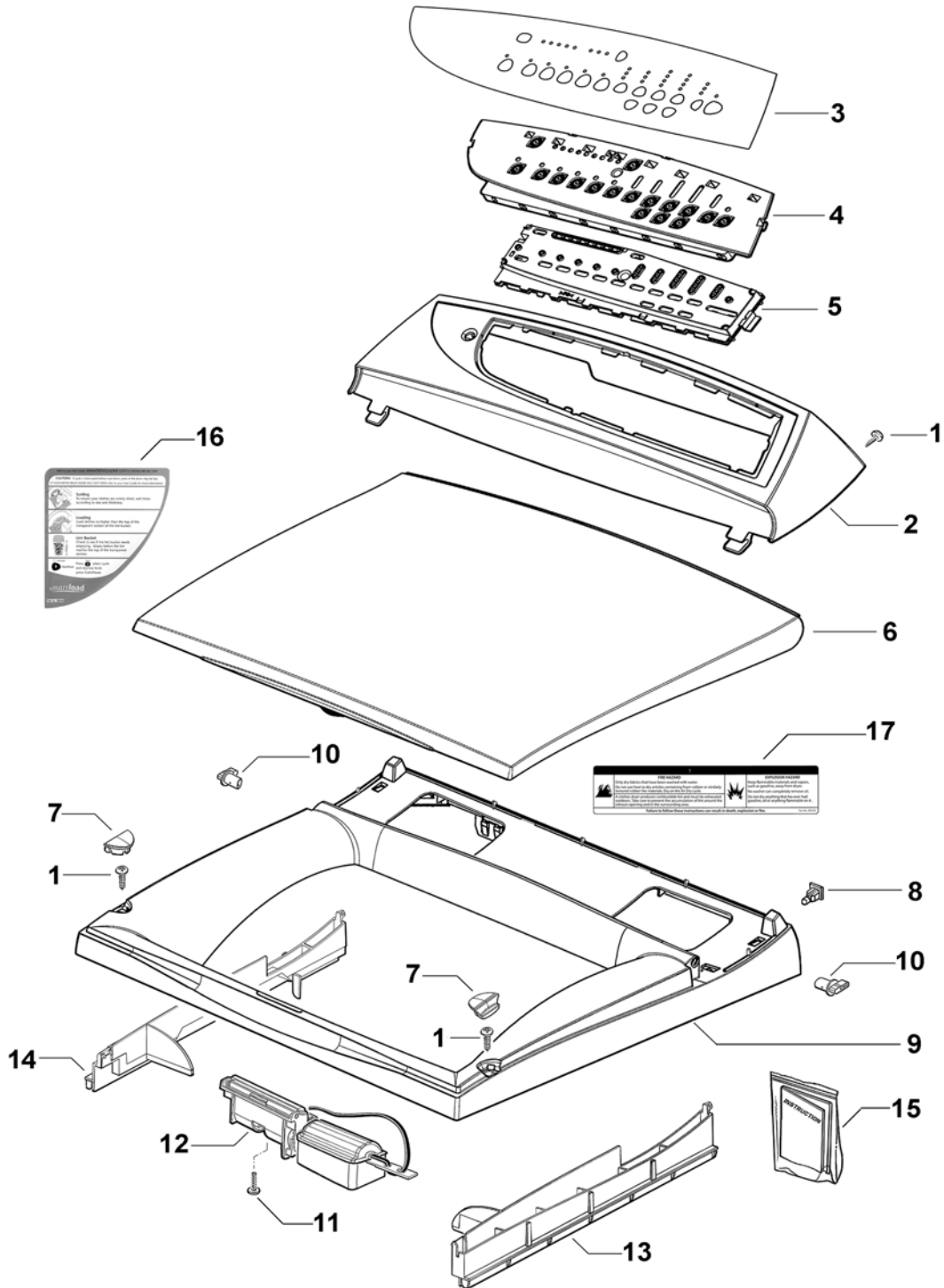
The components shown in *italics with a part number* are those parts in the kit which are available also as separate items. In addition, some parts may be supplied with this kit which are not available as separate items and are therefore either not listed or a part number is not shown against the part description this manual.

All details relating to Technical Bulletins or Notes are shown on a dedicated page. The Technical Bulletin Number shown relates to the bulletin version which is produced for the Global Service Centres.

Parts List Key

NOT USED	As a part, indicates the diagram part reference is not used in this manual.
#	Beside the part number, indicates the part is no longer available.
<i>italics</i>	Kit components or parts included shown in <i>italics</i> , refer above notes: Kit Parts
*	Indicates a technical bulletin or note exists for the part or part reference.
NI	As a part reference, indicates the part is not illustrated on the diagram.

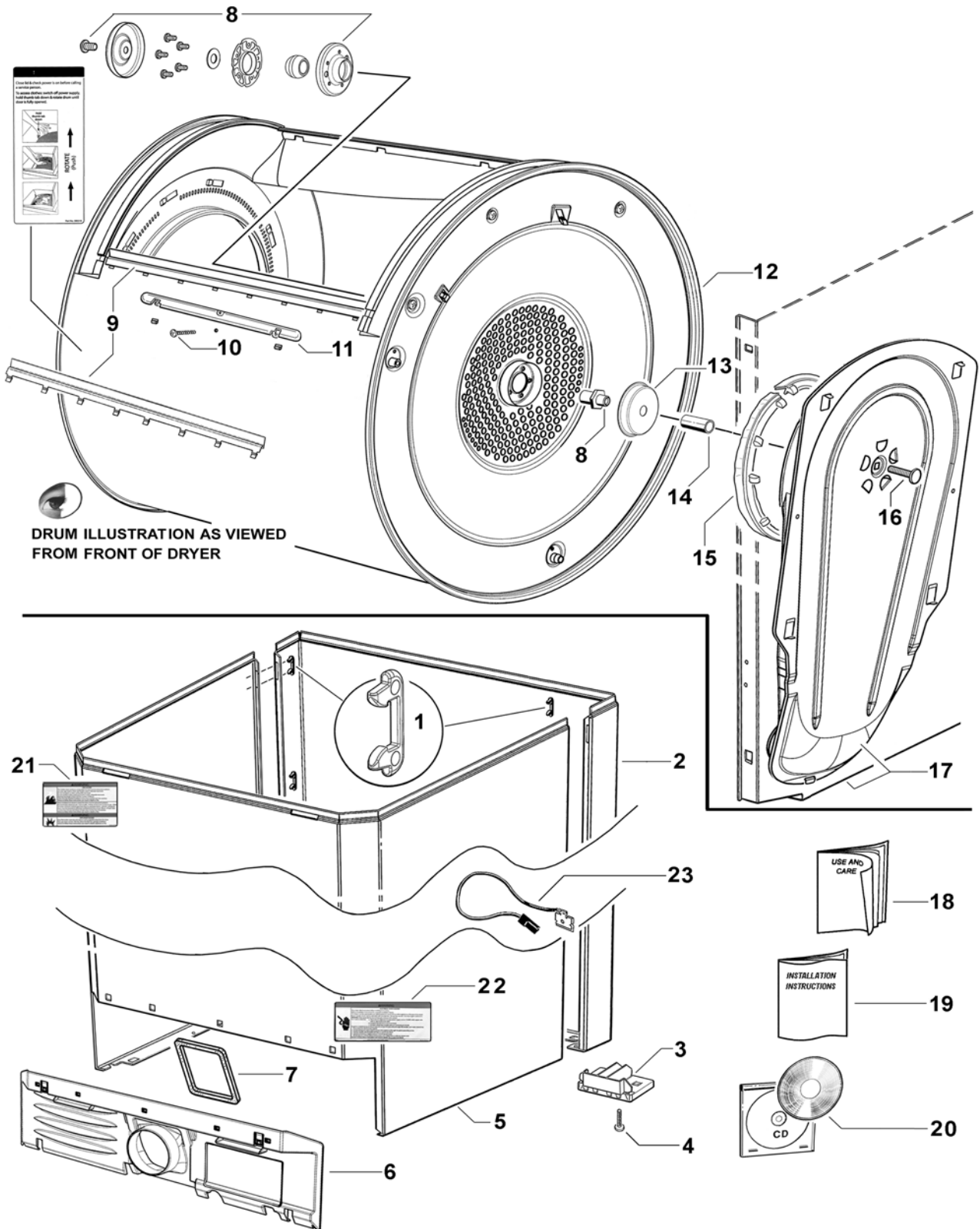
TOP DECK AND ELECTRONICS



TOP DECK AND ELECTRONICS

REF	PART	DESCRIPTION	MODEL
1	611933P	SCREW ST 8X5/8 TA MTS PH HS ZNPL (PKT 10)	
2	395262	CONSOLE PRINTED DX1	
3	395123	PANEL CONTROL DX1	
4	426819	INSERT CONSOLE GW11/DX1	
5	395124P	DISPLAY DX1	
6	395116P	LID ASSEMBLY DX1	
	<i>Includes 395449</i>	<i>LABEL LID USE & CARE</i>	
7	395120P	BUFFER LID DX1 (PKT 2)	
8	422402	NUT SNAP/SPIRE P0071/05/01/00	
9	395118	TOP DECK ASSEMBLY DX1	
	<i>Includes 422402</i>	<i>NUT SNAP/SPIRE (2)</i>	
	<i>426825</i>	<i>HINGE LID SD11/DX1 (2)</i>	
	<i>395440</i>	<i>BRACKET T OP DECK INLET DX1</i>	
	<i>395441</i>	<i>BRACKET T OP DECK OUTLET DX1</i>	
	<i>395450</i>	<i>LABEL USER WARNING</i>	
10	426825P	HINGE LID SD11/DX1 (PKT2)	
11	611808P	SCREW ST 8X1/2 T25 PAN PH SS 430S (PKT 10)	
12	395498	LIDLOCK & HARNESS ASSY DX1	
13	395440	BRACKET T OP DECK INLET DX1	
14	395441	BRACKET T OP DECK OUTLET DX1	
15	395453	LEAFLET SERVICE SUMMARY DX1 US	
		<u>SELF ADHESIVE LABELS</u>	
16	395449	LABEL LID USE & CARE	
17	395450	LABEL USER WARNING	

CABINET, DRUM AND INLET DUCT

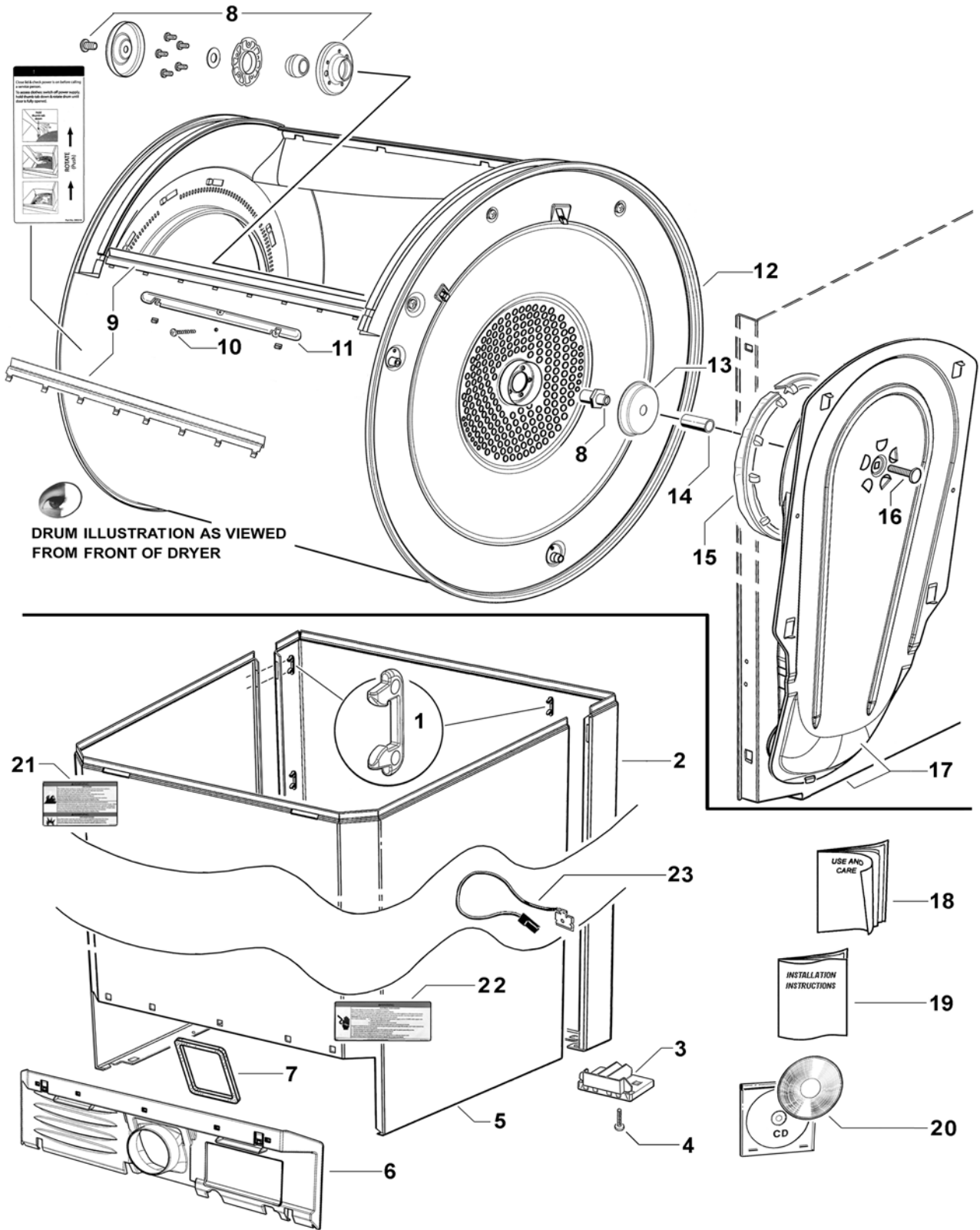


CABINET, DRUM AND INLET DUCT

REF	PART	DESCRIPTION	MODEL
1	395108P	LOCATOR PANEL (PKT 6)	
2	395581P	CABINET FRONT ASSEMBLY DX1	
	<i>Includes 395110</i>	<i>BRACKET CABINET FRONT (2)</i>	
	<i>395277</i>	<i>CABLE ASSEMBLY CABINET FRONT EARTH</i>	
	<i>611805</i>	<i>SCREW ST 8X16 PLASTITE PAN ZNPL (2)</i>	
3	395110	BRACKET CABINET FRONT	
4	611805P	SCREW ST 8X16 PLASTITE PAN PH (PKT10)	
5	395582	CABINET REAR DX1	
	<i>Includes 395321</i>	<i>LABEL INSTALLER ELECTRICAL</i>	
	<i>395322</i>	<i>LABEL INSTALLER GAS</i>	
	<i>395515</i>	<i>LABEL INSTALLER WARNING</i>	
6	395578	GRILLE INTAKE WITH SEAL DX1	DGGX1, DEGX1
	<i>Includes 395111</i>	<i>SEAL FAN OUTLET</i>	
7	395111	SEAL FAN OUTLET	
8	479332	KIT BEARING INLET	
		<i>SCREW M8X12 BUTTON SOCKET</i>	
		<i>CAP DRUM INLET</i>	
		<i>SCREW MC M4X8 TAPTITE HEX W ZNPL(5)</i>	
		<i>WASHER THRUST</i>	
		<i>RETAINER BEARING INLET ASSY</i>	
		<i>BEARING DRUM INLET</i>	
		<i>HOUSING BEARING DRUM INLET</i>	
		<i>SHAFT BEARING INLET</i>	
9	395374	SCRAPER DOOR DRUM DX1	
10	611804P	SCREW TRUSS HD PH SS PLASTITE (PKT 10)	
11	395528	BEARING DRUM DOOR	
12	395014P	DRUM ASSY DX1	
	<i>395319</i>	<i>LABEL WARNING DRUM (3)</i>	
13	395406	SHIELD DUCT INLET	
14	395064	SPACER BEARING INLET	
15	395458	SEAL DUCT INLET	
16	395065	BOLT BEARING INLET	

Continued next page

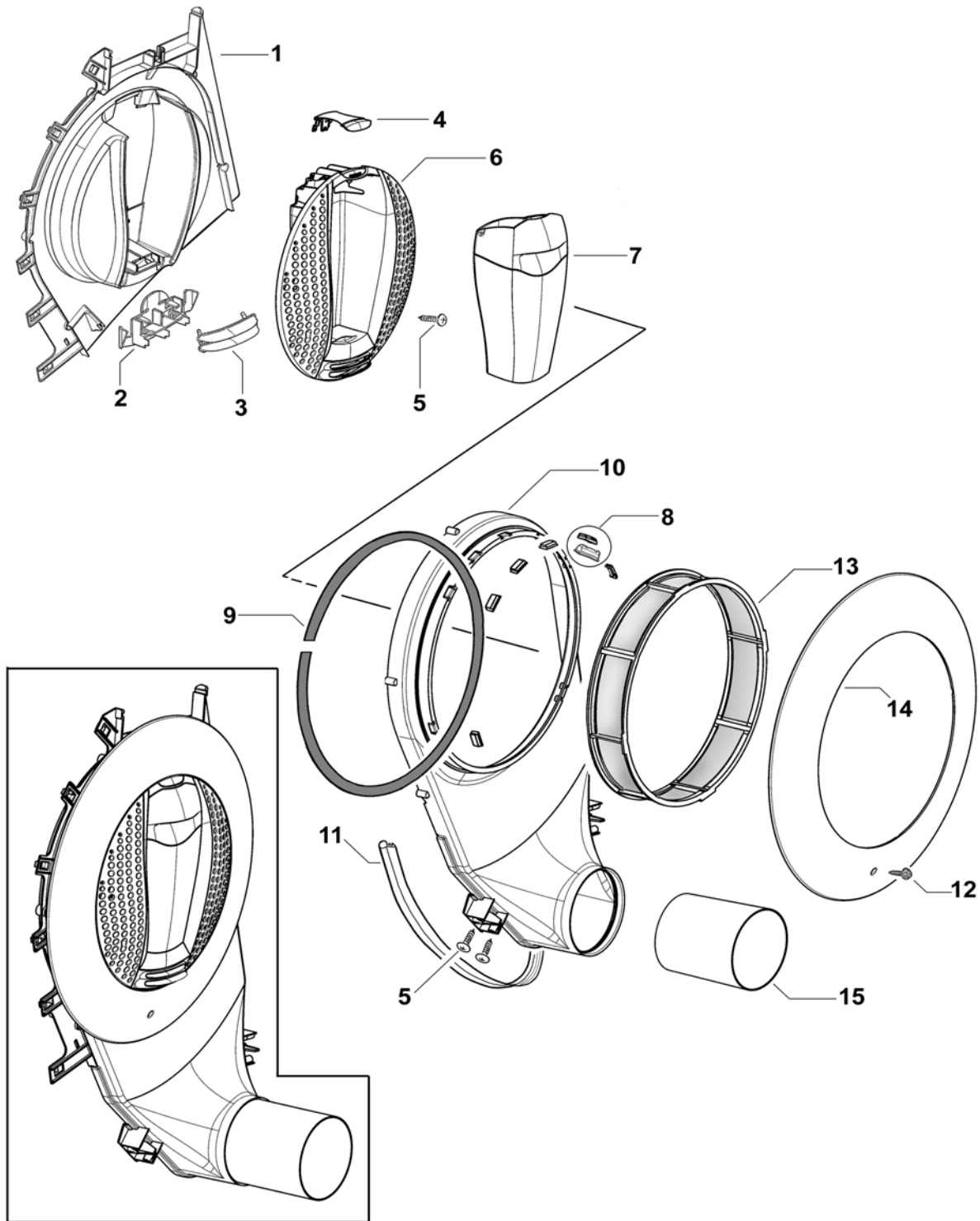
CABINET, DRUM AND INLET DUCT



CABINET, DRUM AND INLET DUCT

REF	PART	DESCRIPTION	MODEL
17	395055P	CHASSIS INLET ASSY DX1	
	<i>Includes</i>	<i>PANEL CHASSIS INLET</i>	
		<i>DUCT INLET BACK</i>	
		<i>DUCT INLET FRONT</i>	
		<i>SHAFT BEARING INLET</i>	
	395064	SPACER BEARING INLET	
	395065	BOLT BEARING INLET	
	395406	SHIELD DUCT INLET	
	395458	SEAL DUCT INLET	
18	395216	BOOK USER GUIDE DX1	
19	395217	BOOK INSTALLATION INST DEGX1 US	DEGX1
	395520	BOOK INSTALLATION INST DGGX1 US	DGGX1
20	395212	COMPACT DISC DX1	
		<u>SELF ADHESIVE LABELS</u>	
21	395321	LABEL INSTALLER ELECTRICAL	DEGX1
	395322	LABEL INSTALLER GAS	DGGX1
22	395515	LABEL INSTALLER WARNING	
23	395277	CABLE ASSEMBLY CABINET FRONT EARTH	
		<u>PACKING MATERIAL NOT ILLUSTRATED</u>	
	395206	CARTON DX1	
	395210	PACKER TOP DX1	
	395561	PACKER BASE DX1	
	395363	PACKER DRUM DX1	

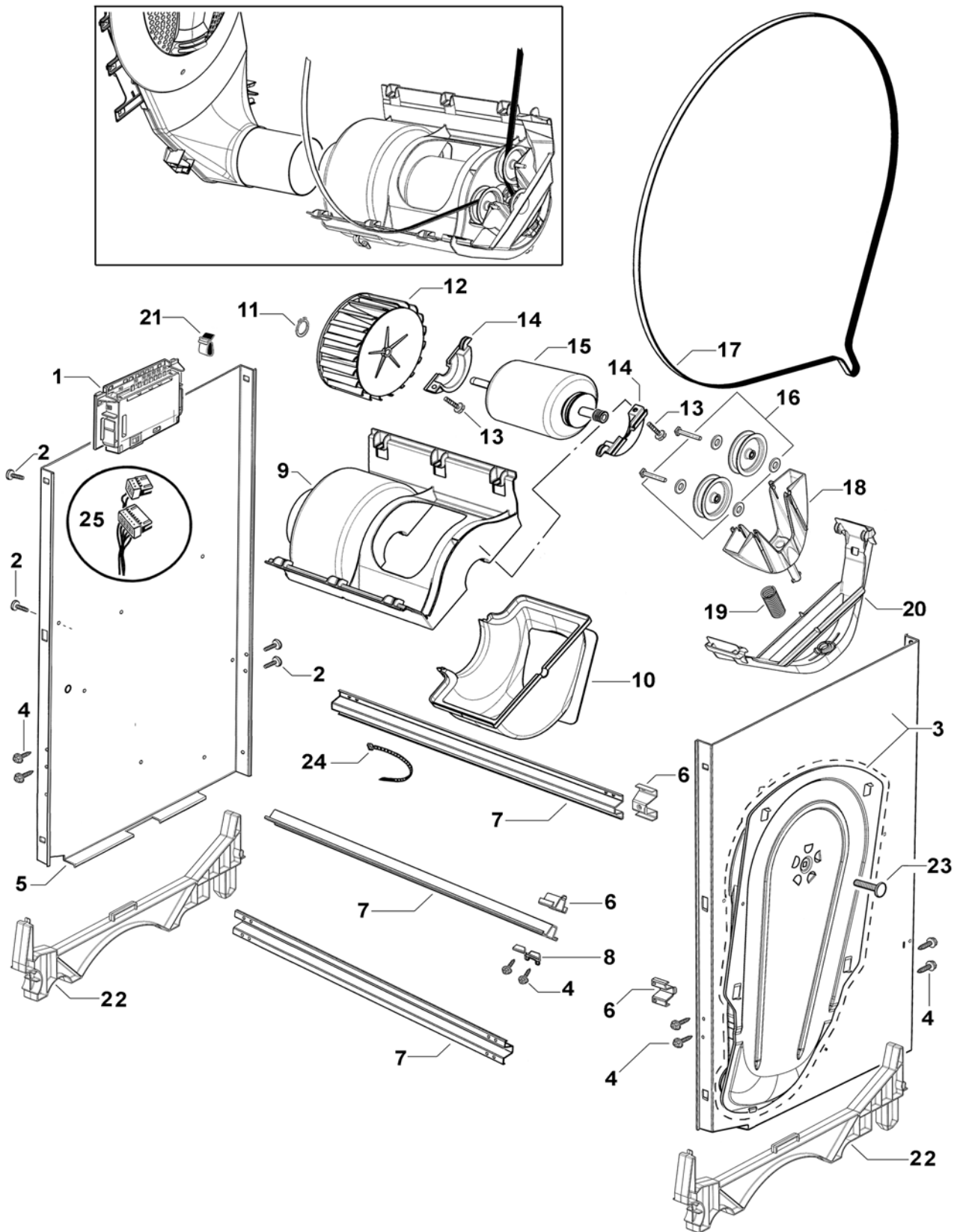
OUTLET DUCT



OUTLET DUCT

REF	PART	DESCRIPTION	MODEL
1	395005	BRACKET HOUSING COLLECTOR	
2	395404	BRACKET CONTACT CONDUCTIVITY	
3	395424P	CONTACT CONDUCTIVITY(PKT 2)	
	<i>Includes 395143</i>	<i>HARNESS CONDUCTIVITY CONTACTS</i>	
4	395138	SCRAPER LINT	
5	611805P	SCREW ST 8X16 PLASTITE PAN PH (PKT 10)	
6	395136	HOUSING COLLECTOR LINT	
7	395249	COLLECTOR LINT ASSY	
8	395560P	BEARING ASSY DRUM OUTLET DX1 (PKT 7)	
9	395432	SEAL DUCT OUTLET	
10	395074	DUCT OUTLET DX1 ASSY	
	<i>Includes 395432</i>	<i>SEAL DUCT OUTLET</i>	
	<i>395560</i>	<i>BEARING ASSY (7)</i>	
11	395478	GASKET DUCT	
12	610213P	SCREW M4X8 TAPTITE HXW ZNP (PKT 10)	
13	395541	FILTER LINT ASSY	
	<i>Includes</i>	<i>SEAL FILTER LINT</i>	
14	395133	RETAINER FILTER LINT DX1	
15	395038	TUBE DX1	

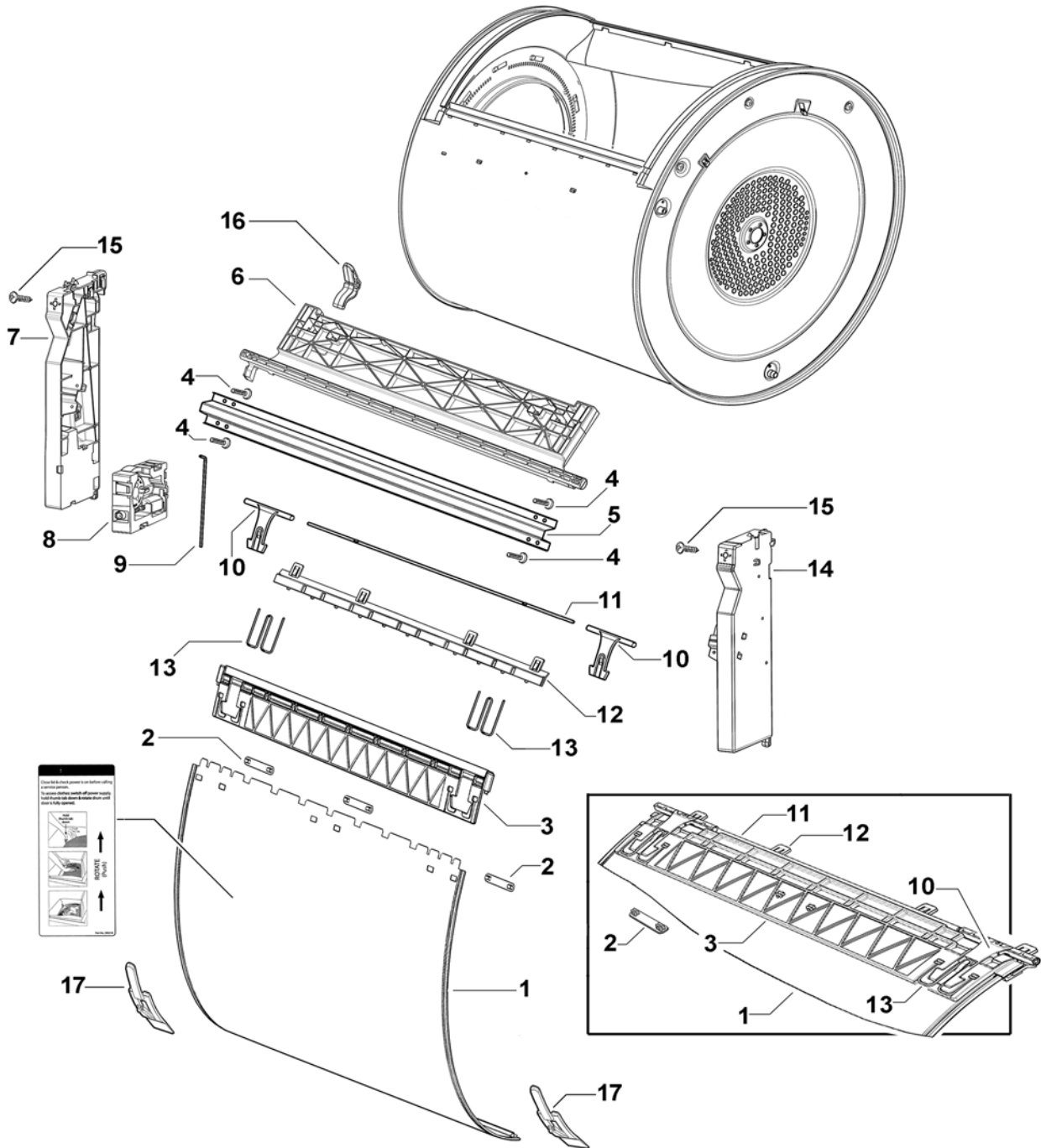
CHASSIS COMPONENTS & MOTOR ASSEMBLY



CHASSIS COMPONENTS & MOTOR ASSEMBLY

REF	PART	DESCRIPTION	MODEL
1	395394P	MODULE SENSOR ASSY DX1	
	<i>Includes 395009</i>	<i>LENS POSITION SENSOR</i>	
2	611805P	SCREW ST 8X16 PLASTITE PAN PH (PKT 10)	
3	395055P	CHASSIS INLET ASSY DX1	
	<i>Includes</i>	<i>PANEL CHASSIS INLET</i>	
		<i>DUCT INLET BACK</i>	
		<i>DUCT INLET FRONT</i>	
		<i>SHAFT BEARING INLET</i>	
	395064	SPACER BEARING INLET	
	395065	BOLT BEARING INLET	
	395406	SHIELD DUCT INLET	
	395458	SEAL DUCT INLET	
4	610213P	SCREW MC M4X8 TAPTITE HXW ZNP (PKT 10)	
5	395079P	PANEL CHASSIS OUTLET DX1	
6	395095	BRACKET BEAM	
7	395094	BEAM CHASSIS DX1	
8	395101	BRACKET BACKING	
9	395482	HOUSING MOTOR FAN	
10	395037	HOUSING FAN	
11	613405	CIRCLIP EXT STD 12MM / DIN471	
12	395034	FAN	
13	425150P	SCREW 1/4 X 1" PLASTITE 60 (PKT 10)	
14	395056P	CLAMP MOTOR MOUNTING (PKT 2)	
15	395222P	FAN & MOTOR ASSY 3 PHASE 250W	
	<i>Includes 395034</i>	<i>FAN, 613405 CIRCLIP EXT STD 12MM / DIN471</i>	
16	395579	KIT JOCKEY PULLEY	
	<i>Includes</i>	<i>PIN JOCKEY 6.3DIA X 3.5 X 43 SQ HD (2)</i>	
		<i>WASHER 6.5 X 14 X 1 NYLON (4)</i>	
		<i>PULLEY BELT TENSIONER ASSY (2)</i>	
17	395048	BELT DX1	
18	395513	YOKE BELT TENSIONER	
19	395570	SPRING BELT TENSIONER	
20	395250	BRACKET BELT TENSIONER	
21	613713	CLIP PIPE UNITED CARR CAC261 PPBK	
22	395420	BRACKET PANEL CHASSIS	
23	395065	BOLT BEARING INLET	
24	621957P	TIE CABLE 102MM UL MS90387-1 (PKT 10)	
25	395381	HARNESS SENSOR	

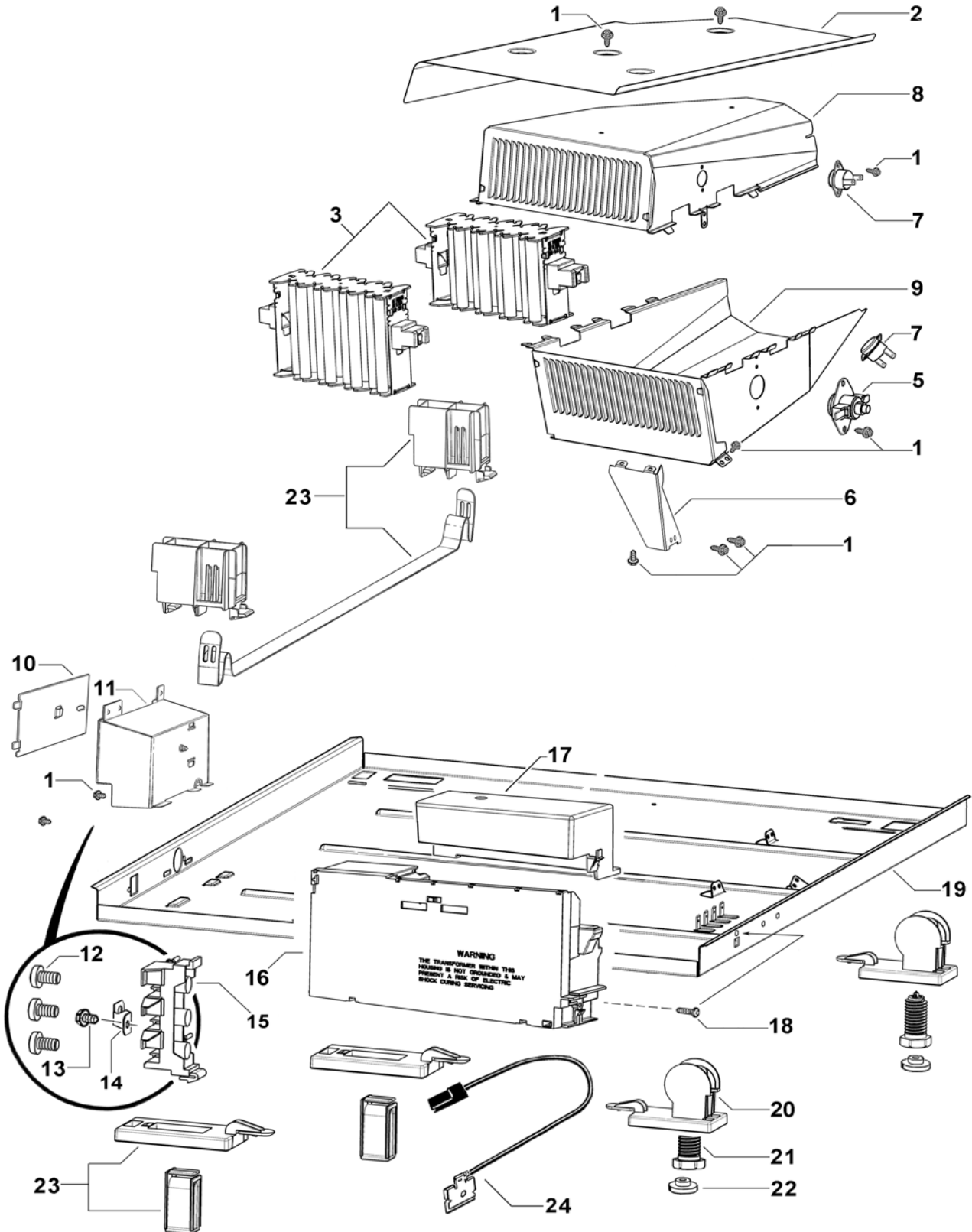
SUBDECK ASSEMBLY & DRUM DOOR ASSEMBLY



SUBDECK ASSEMBLY & DRUM DOOR ASSEMBLY

REF	PART	DESCRIPTION	MODEL
1	395025P	DOOR DRUM DX1	
	<i>395319</i>	<i>LABEL WARNING DRUM</i>	
2	395362P	CLIP BRACKET DOOR (PKT 3)	
3	395029	BRACKET DOOR DX1	
4	611805P	SCREW ST 8X16 PLASTITE PAN PH (PKT10)	
5	395094	BEAM CHASSIS DX1	
6	395169	GRABBER DOOR DX1	
7	395159	HOUSING GRABBER OUTLET	
8	395180	ACTUATOR ASSY	
9	395173	LINKAGE GRABBER DOOR	
10	395026	ARM HINGE	
11	395027	BAR LOCKING DX1	
12	395372	KEY BRACKET DOOR DX1	
13	395028P	SPRING HINGE (PKT 2)	
14	395158	HOUSING GRABBER INLET	
15	611933P	SCREW ST 8X5/8 TA MTS PH HS ZNPL (PKT 10)	
16	395521	TAB USER INTERVENTION	
17	395526P	BUFFER DOOR DRUM (PKT 2)	

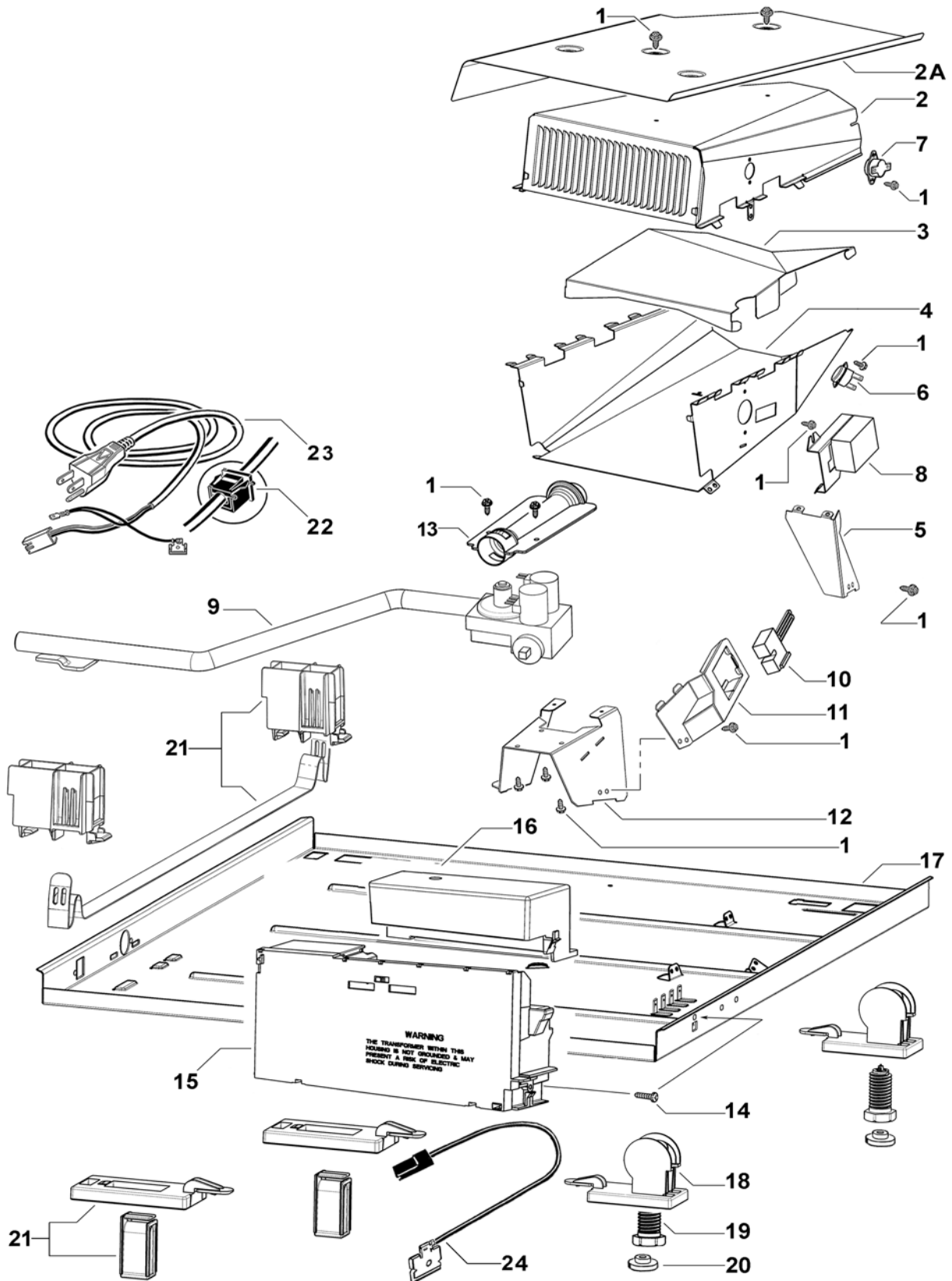
BASE PANEL AND COMPONENTS - ELECTRIC



BASE PANEL AND COMPONENTS - ELECTRIC

REF	PART	DESCRIPTION	MODEL
1	610213P	SCREW MC M4X8 TAPTITE HEXW ZNP (PKT 10)	
2	395527	SHIELD HEATER	
3	395583	KIT ELEMENT 220/240V DX1	
		<i>ELEMENT ASSY 240V 3.6KW</i>	
		<i>ELEMENT ASSY 240V 1.4KW</i>	
5	395155	THERMOSTAT MANUAL RESET	
6	395228	BRACKET HOUSING HEAT	
7	395455	THERMOSTAT AUTO RESET	
8	395355	HOUSING COMBUSTION TOP	
9	395353	HOUSING ELEMENT BOTTOM	
10	395234	COVER HOUSING MAINS	
11	395142	HOUSING MAINS	
12	610413P	SCREW MC M6X10 PAN PHSL ST ZNPL (PKT 10)	
13	610214P	SCREW M4X8 No 2 PH TAPTITE WAXED (GREEN) (PKT 10)	
14	395409	LINK EARTH MAINS	
15	395405	TERMINAL BLOCK 3-WAY	
16	395400USP	MODULE MOTOR CONTROL 240V DEGX1	
17	395542	LID MODULE MOTOR CONTROL DX1	
18	611805P	SCREW ST 8X16 PLASTITE PAN PH (PKT 10)	
19	395141P	PANEL BASE DX1	
20	395144	BRACKET FOOT	
21	472969P	<i>KIT FOOT & INSERT</i>	
	<i>426153</i>	<i>FOOT LEVELLING</i>	
	<i>Includes</i>	<i>INSERT FOOT</i>	
22	479183	INSERT FOOT (PKT 4)	
23	395576	KIT FOOT SELF ADJUSTING	
	<i>Includes</i>	<i>STRAP FOOT ADJUSTING DX1</i>	
		<i>GUIDE FOOT ADJUSTING (2)</i>	
		<i>FOOT SELF ADJUSTING (2)</i>	
		<i>BRACKET GUIDE FOOT (2)</i>	
24	395277	CABLE ASSY CABINET FRONT EARTH	
<u>PARTS NOT ILLUSTRATED</u>			
	395145	HARNESS ELECT ELEMENT & MAINS	
	<i>Includes 395233</i>	<i>HOUSING POSILOC</i>	
	<i>395405</i>	<i>TERMINAL BLOCK 3-WAY</i>	
	<i>395455</i>	<i>THERMOSTAT AUTO RESET</i>	

BASE PANEL AND COMPONENTS - GAS



BASE PANEL GAS

REF	PART	DESCRIPTION	MODEL
1	610213P	SCREW MC M4X8 TAPTITE HEXW ZNP (PKT 10)	
2	395355	HOUSING COMBUSTION TOP	
2A	395527	SHIELD HEATER	
3	395368	SHIELD HOUSING COMBUSTION SS 321	
4	395351	HOUSING COMBUSTION BOTTOM	
5	395228	BRACKET HOUSING HEAT	
6	395192	THERMOSTAT AUTO RESET	
7	395191	THERMOSTAT MANUAL RESET	
8	395194	DETECTOR FLAME GAS	
9	395235	BURNER ASSEMBLY	
	<i>Includes 395190</i>	<i>PIPE GAS 3/8" MS THREADED</i>	
	<i>395369</i>	<i>VALVE REGULATOR</i>	
	<i>395196</i>	<i>BRACKET BURNER GAS</i>	
	<i>610213</i>	<i>SCREW MC M4X8 TAPTITE HEXW ZNP (3)</i>	
	<i>395187</i>	<i>BURNER VENTURI</i>	
10	395188P	IGNITER GAS	
11	395365	BRACKET IGNITER	
12	395196	BRACKET BURNER GAS	
13	395187	BURNER VENTURI	
14	611805P	SCREW ST 8X16 PLASTITE PAN PH (PKT10)	
15	395401USP	MODULE MC 120V D1 GAS	
16	395542	LID MOTOR CONTROL DX1	
17	395141P	PANEL BASE DX1	
18	395144	BRACKET FOOT	
19	472969P	KIT FOOT & INSERT	
	<i>Includes 426153</i>	<i>FOOT LEVELLING</i>	
	<i>426154</i>	<i>INSERT FOOT</i>	
20	479183	INSERT FOOT (PKT 4)	
21	395576	KIT FOOT SELF ADJUSTING	
	<i>Includes</i>	<i>STRAP FOOT ADJUSTING DX1, GUIDE FOOT ADJUSTING (2)</i>	
		<i>FOOT SELF ADJUSTING (2), BRACKET GUIDE FOOT (2)</i>	
22	395269	CLAMP STRAIN RELIEF CORD SET	
23	426699	CORD SET US 120V	
24	395277	CABLE ASSY CABINET FRONT EARTH	
<u>PARTS NOT ILLUSTRATED</u>			
	395146	HARNESS GAS HEATER & MAINS	
	<i>Includes 395191</i>	<i>THERMOSTAT MANUAL RESET</i>	
	<i>395192</i>	<i>THERMOSTAT AUTO RESET</i>	

NOTES

Technical Bulletins

Technical Bulletins