

MAYTAG

Maytag
Customer Service

Maytag

**Dryer
Service Manual
(Covering 1994-1997 Models)**

(P/N 16008714)

16001146-01
Issued 5/94
Revised 1/98

SAFETY PRECAUTIONS

THIS MANUAL, AS WELL AS THE INFORMATION CONTAINED IN IT, IS TO BE USED ONLY BY A MAYTAG AUTHORIZED SERVICE TECHNICIAN FAMILIAR WITH AND KNOWLEGABLE OF PROPER SAFETY AND SERVICING PROCEDURES AND POSSESSING HIGH QUALITY TESTING EQUIPMENT ASSOCIATED WITH MICROWAVE, GAS, AND ELECTRICAL APPLIANCE REPAIR.

ALL INDIVIDUALS WHO ATTEMPT REPAIRS BY IMPROPER MEANS OR ADJUSTMENT SUBJECT THEMSELVES AND OTHERS TO THE RISK OF SERIOUS OR FATAL INJURY.

USE ONLY GENUINE MAYTAG APPROVED FACTORY REPLACEMENT COMPONENTS.

Contents

SECTION 1. GENERAL INFORMATION	1-1
SPECIFICATIONS	1-1
PRE-INSTALLATION CONSIDERATIONS	1-2
Location Considerations	1-3
Alcove or Closet Installation	1-3
Mobile Home Installation	1-4
EXHAUSTING	1-4
GAS REQUIREMENTS	1-6
ELECTRICAL REQUIREMENTS	1-7
Grounding	1-7
Gas Models	1-7
Electric Models	1-8
ELECTRICAL CONNECTIONS	1-8
Gas Models	1-9
Electric Models	1-9
U. S. Models	1-9
Canadian Models - 120/240 Volt	1-9
INSTALLATION	1-10
ELECTRICAL TEST EQUIPMENT	1-14
Appliance Test Meter	1-15
Voltage Checks	1-17
Using Voltmeter As A Continuity Tester	1-18
Using Meter For Temperature Readings	1-18
Clamp-On Ammeter	1-19
Motor Test Cord	1-20
Manometers	1-21
DEPENDABLE CARE - 1997	1-23
SECTION 2. CONTROL OPERATING INSTRUCTIONS	2-1
LD9904	2-1
LD9824 • LD9804 • LD8824 • LD8804 • LD6914	2-5
LD9814 • LD8904	2-8
LD9334 • LD9304 • LD8624 • LD8604 • LD5914	2-11
LD9314 • LD8704	2-13
LD8424 • LD8804 • LD7334 • LD7304 • LD4914	2-15
LD8414 • LD8304 • LD7314	2-17
LD6004 • LD5004	2-19
DEPENDABLE CARE - 1997	2-21
SECTION 3. DRYER - SERVICE PROCEDURES	3-1
CABINET AND TOP COVER	3-1
CONTROLS	3-2
To Access Control Components	3-2
Automatic Control W/Timer Dry Option	3-6

Electronic Control W/Time Dry Option	3-7
Microprocessor Touch Control	3-9
FRONT PANEL AND COMPONENTS	3-10
Front Panel Removal	3-11
Door Seal	3-11
Door Removal	3-11
Reversing The Door	3-12
To Disassemble Door	3-12
Door Strike	3-12
Door Hinges.....	3-12
Door Handle	3-13
Door Switch	3-13
Front Panel Seal	3-13
TUMBLER AND RELATED COMPONENTS	3-14
Interior Light	3-14
Light Replacement	3-14
Light Receptacle	3-14
Dryness Sensor	3-14
Tumbler Front.....	3-15
Lint Filter Switch (9904 Models)	3-15
Complete Outlet Duct.....	3-16
Tumbler Front Bearing and Pads	3-16
Tumbler Front Seal	3-17
Tumbler and Belt	3-17
Installing Drive Belt	3-18
Clothes Lifter	3-19
Roller and Bearing Assembly	3-19
Tumbler Real Felt Seal	3-20
Tumbler Rear	3-20
THERMOSTATS	3-20
160° Thermostat - Bi - Metal	3-21
Thermistor (9904 Models) Resistance Type	3-21
Thermal Fuses	3-22
BLOWER	3-23
Seal for Blower	3-23
Cover for Blower	3-23
Blower Impeller	3-24
Blower Housing	3-24
Exhaust Duct Pipe	3-24
DRIVE MOTOR AND IDLER ASSEMBLY	3-24
Motor Switch	3-24
Motor Pulley	3-24
Motor Pulley Adjustment	3-25
Drive Motor and Base	3-25
Idler Assembly	3-26
Idler Pulley.....	3-26
HEATING ELEMENT AND RELATED COMPONENTS.....	3-26
Heat Cone	3-27

Heating Element	3-27
Hi-Limit Thermostat	3-27
GAS VALVE AND RELATED COMPONENTS	3-28
Air Shutter Adjustment.....	3-32
Coil Replacement	3-32
Igniter.....	3-33
Radiant Sensor	3-33
Gas Valve Removal	3-33
Orifice	3-34
Heat Cone	3-34
Inlet Duct.....	3-34
DEPENDABLE CARE - 1997.....	3-36
SECTION 4. TROUBLESHOOTING	4-1
ELECTRICAL - MECHANICAL	4-1
Will Not Run.....	4-1
Will Not Dry	4-2
Will Not Shut-Off	4-2
Miscellaneous	4-4
MICROPROCESSOR BOARD CONTROL MODELS.....	4-5
DRYER (MICROPROCESSOR BOARD CONTROL)	4-9
FAULT CODE	4-12
DIRECT IGNITION SYSTEM	4-13
SECTION 5. ELECTRICAL CIRCUITS / SCHEMATICS	5-1
LDE4914	5-1
LDG4914.....	5-2
LDE5004	5-3
LDG5004.....	5-4
LDE5004 CANADA	5-5
LDE5914	5-6
LDG5914.....	5-7
LDE6004	5-8
LDG6004.....	5-9
LDE6914 / LDE9824	5-10
LDG6914 / LDG9824.....	5-11
LDE9824 CANADA	5-12
LDE7304	5-13
LDG7304.....	5-14
LDE7304 CANADA	5-15
LDE7304 EXPORT	5-16
LDG7304 EXPORT	5-17
LDE7314	5-18
LDG7314.....	5-19
LDE7314 CANADA	5-20
LDE7334	5-21
LDG7334.....	5-22

LDE8304	5-23
LDG8304	5-24
LDE8404	5-25
LDG8404	5-26
LDE8404 CANADA	5-27
LDE8414	5-28
LDG8414	5-29
LDE84144 CANADA	5-30
LDE8424	5-31
LDG8424	5-32
LDE8424 CANADA	5-33
LDE8604	5-34
LDG8604	5-35
LDE8604 CANADA	5-36
LDE8624	5-37
LDG8624	5-38
LDE8624 CANADA	5-39
LDE8704	5-40
LDG8704	5-41
LDE8804	5-42
LDG8804	5-43
LDE8804 CANADA	5-44
LDE8824	5-45
LDG8824	5-46
LDE8824 CANADA	5-47
LDE8904	5-48
LDG8904	5-49
LDE9304	5-50
LDG9304	5-51
LDE9304 CANADA	5-52
LDE9314	5-53
LDG9314	5-54
LDE9314 CANADA	5-55
LDE9334	5-56
LDG9334	5-57
LDE9804	5-58
LDG9804	5-59
LDE9804 CANADA	5-60
LDE9814	5-61
LDG9814	5-62
LDE9814 CANADA	5-63
LDE9904	5-64
LDG9904	5-65
LDE9904 CANADA	5-66
DEPENDABLE CARE - 1997	5-67

INTRODUCTION

Each model will be covered separately in a section that pertains only to its control system and the components that make up that system. Because the basic structure for all dryers is the same, they will be generally covered without regard to model.

Models covered in this manual:

- LD5004 • LD6004
- LD7314 • LD8304 • LD8414
- LD4914 • LD7304 • LD7334 • LD8404 • LD8424
- LD8704 • LD9314
- LD5914 • LD8604 • LD8624 • LD9304 • LD9334
- LD8904 • LD9814
- LD6914 • LD8804 • LD8824 • LD9804 • LD9824
- LD9904

Note. The wiring diagrams/schematics illustrated in this manual covers the specific models listed and was accurate at time of catalog production. This manual also encompasses "A1" and "A2" Series Change. Wiring information is subject to change at any time. Please refer to wiring diagram supplied with unit before servicing.

For additional information on issues encompassed in this manual, including safety issues, contact:

Maytag Customer Service
240 Edwards Street S.E.
Cleveland, Tn 37311

Phone: 423-472-3333
Fax: 423-478-0426

PERSONAL SAFETY PRECAUTIONS

Note: As a general rule, appliance should always be disconnected from power source before servicing appliance or replacing component parts.

This appliance must be properly grounded. Never plug the appliance into a receptacle that is not properly grounded and in compliance with local and national codes. See installation instructions for grounding this appliance.

Appliances with the UL symbol on the data plate have been listed with Underwriters' Laboratories, Inc.; those with a CSA Monogram on the data plate have been certified by the CSA Testing Laboratories as complying with Canadian Standards Association requirements. Gas dryers with an A.G.A. symbol on the data plate have been design certified with the American Gas Association; those with a CGA symbol on the data plate have been approved by the Canadian Gas Association. Nevertheless, as with any equipment using electricity and having moving parts, there are potential hazards. To use this appliance safely, the operator should become familiar with the instructions for operation of the appliance and always exercise care when using it.

IMPORTANT SAFETY NOTICE AND WARNING

The California Safe Drinking Water and Toxic Enforcement Act of 1986 (Proposition 65) requires the Governor of California to publish a list of substances known to the State of California to cause cancer or reproductive harm, and requires business to warn customers of potential exposures to such substances.

Users of this appliance are hereby warned that the burning of gas can result in low-level exposure to some of the listed substances, benzene, formaldehyde and soot, due primarily to the incomplete combustion of natural gas or liquid petroleum (LP) fuels. Exhaust ducts should be kept free of obstructions and properly exhausted dryers will minimize exposure.

SECTION 1. GENERAL INFORMATION

SPECIFICATIONS

MAYTAG DRYER SPECIFICATIONS	
AIR FLOW	180 Cubic feet per minute
EXHAUST	4" (10.2 cm) duct permits exhaust up to a maximum of 50 feet (15.24m) rigid aluminum ductwork. Subject 8 feet (2.44m) for each 90° elbow and 8 feet for an exhaust hood. Can be vented out the back, left side or down through the base.
MOTOR	1/4 H.P. rated; 120 volt; 60 Hz; thermoprotected against overload; auto-reset.
HEAT SOURCE	<ul style="list-style-type: none">• Electric: 240V 3-wire; 5300 watts; 30 amp fuse.• Gas: Single port burner; 22,000 BTU/HR; electric ignition; automatic shut-off.
FLUSH-TO-WALL INSTALLATION	Permitted by 1 1/4" back panel overhang
LEVELING LEGS	Adjustable to level dryer for proper installation
APPROX. WEIGHT	Crated - 160 lbs. (73 kg); Uncrated - 135 lbs. (61 kg).
Note: Gas dryer dimensions are shown. Electric dryer dimensions are identical to the gas. Electric models do not have manifold connection or the power cord. Terminal block on electric models only. (Specifications subject to change without notice.)	

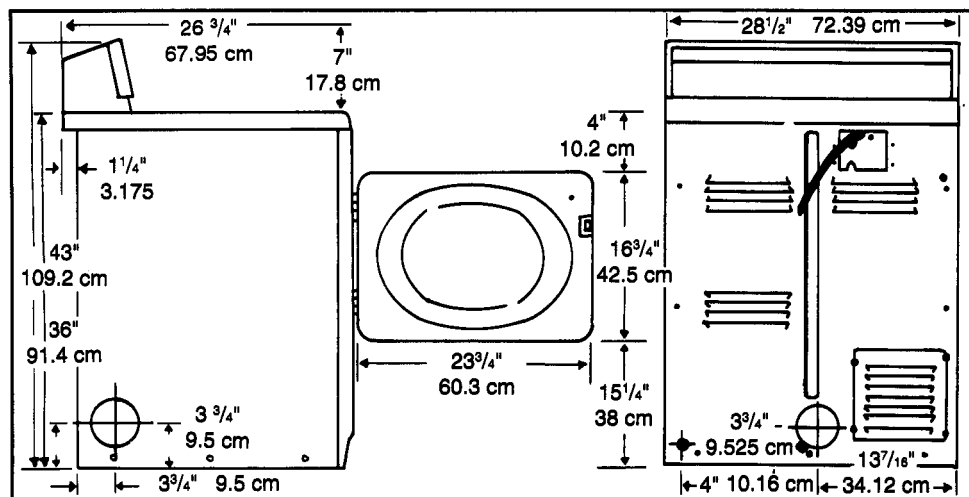
DRYER FEATURES	LD9904	LD9824	LD9804	LD9304	LD7304	LD5004
<i>Drying control</i>	Electronic	Electronic	Electronic	Electronic	Auto	Auto
<i>Temperature Selections</i>	6	4	3	3	3	2
<i>Adjustable Degree of Dryness</i>	X	X	X	X	X	X
<i>Dryness Monitor</i>		X	X	X		
<i>Delicate Temperature Setting</i>	X	X	X	X	X	X
<i>Permanent Press Cycle</i>	X	X	X	X	X	X
<i>Wrinkle Release</i>	X	X	X	X	X	
<i>Damp Dry</i>	X	X	X	X	X	
<i>Press Care</i>	Optional	Optional	Optional	X	X	
<i>Air Fluff</i>	X	X	X	X	X	X
<i>Drum Light</i>	X	X	X	X		
<i>End-Of-Cycle Signal</i>	Adjustable	Adjustable	On/Off	X	X	X
<i>Dryer Rack Accessory included</i>	X	X				
<i>Sound Insulating Quiet-Pak™</i>	X	X	X	X		
<i>Models Available in Export Voltage/Hertz</i>					240/50	
* All models are available in either gas or electric.						
Maytag reserves the right to change specifications without notice.						

PRE-INSTALLATION CONSIDERATIONS

Proper installation is the responsibility of the purchaser.

Checkpoints for proper installation:

- **Properly Grounded Electrical Outlet** that is in compliance with local and national codes is required. See Electrical Requirements.
- **Gas lines** (if a gas dryer) must meet National and Local Codes.
- **Exhaust system MUST** be rigid metal or flexible stiff walled metal exhaust ducting. See Exhaust Requirements.



Location Considerations

The dryer should be located to permit 18" in front for removal of the front panel for access, and sufficient room behind the dryer for the exhaust system.

Dryer is factory-ready for rear exhaust. To exhaust out the bottom or left side use the accessory exhaust kit (see Accessories). Instructions are included with the kit.

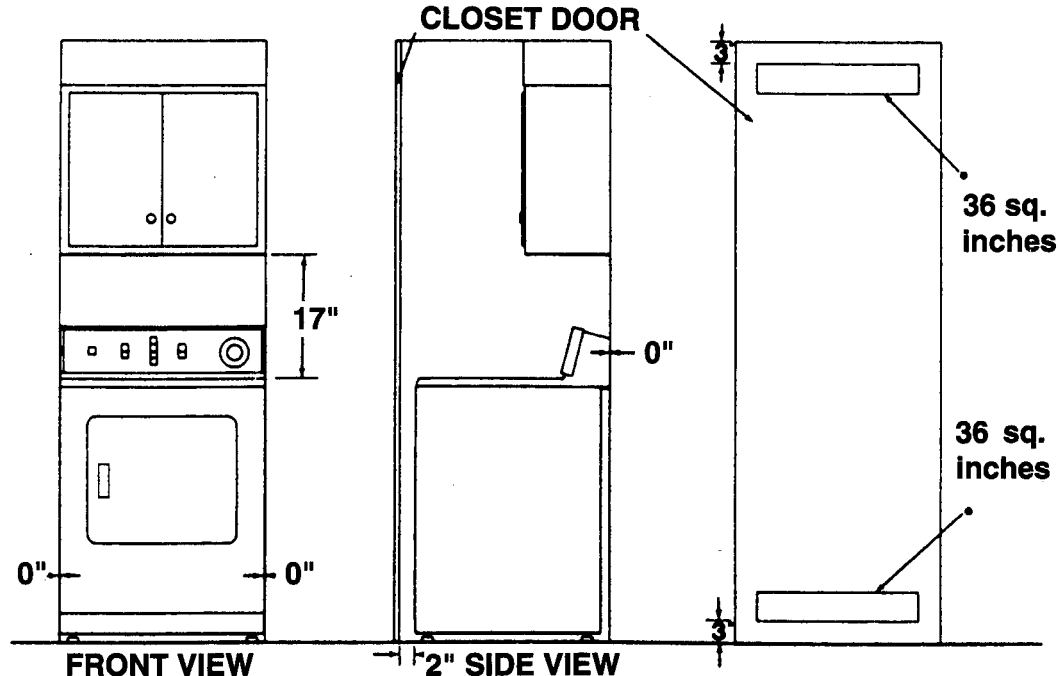
On gas dryers, adequate clearance as noted on the data plate must be maintained to insure adequate air for combustion and proper operation of the dryer. The area where the dryer is located must not obstruct the flow of combustion or ventilating air.

THE DRYER MUST NOT BE INSTALLED OR STORED IN AN AREA WHERE IT WILL BE EXPOSED TO WATER AND/OR WEATHER. THE DRYER AREA IS TO BE KEPT CLEAR AND FREE FROM COMBUSTIBLE MATERIALS, GASOLINE AND OTHER FLAMMABLE VAPORS AND LIQUIDS. A DRYER PRODUCES COMBUSTIBLE LINT. THE AREA AROUND THE DRYER SHOULD BE KEPT FREE OF LINT.

Alcove or Closet Installation

An appliance installed in a closet shall have no other fuel-burning appliance installed in the same closet.

Each opening area in the door must have a minimum of 36 square inches. These openings must not be obstructed. (louvered door with equivalent air opening is acceptable.)



Minimum installation clearances. If possible, more clearance is recommended.

GAS REQUIREMENTS

Use only Natural or LP gases.

WARNING

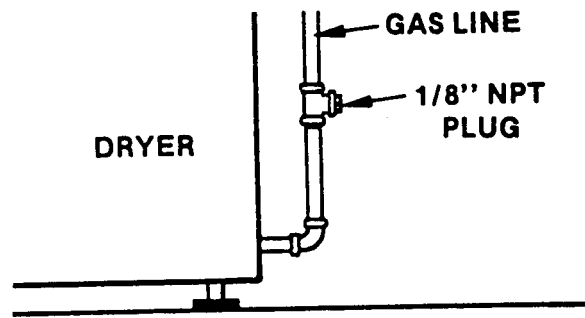
The installation must conform with local codes, or in the absence of local codes, with the national fuel gas code ANSI/Z223.1, latest revision (for the United States), or with the CAN/CGA-B149 installation codes (for Canada).

Gas dryers are equipped with a burner orifice for operation on NATURAL gas. **If the dryer is to be operated on LP (liquid propane) gas, it must be converted correctly for safety and proper performance and must be converted by a qualified service technician.** Conversion kits from NATURAL to LP, or LP to NATURAL are available. If other conversions are required, check with local gas utility for specific information concerning conversion requirements.

A 1/2" gas supply line is recommended and must be reduced to connect to the 3/8" gas line on the dryer.

Additionally, a 1/8" N.P.T. (National Pipe Thread) plugged tapping, accessible for test gage connection, must be installed immediately upstream of the gas supply connection to the dryer. Refer to your local gas utility or plumbing contractor should you have questions on the installation of the plugged tapping.

AGA Recommends:



High Pressure Testing

The dryer and its individual shutoff valve must be disconnected from the gas supply piping system during any pressure testing of the system at test pressures in excess of 1/2 psig (3.45 kPa).

Low Pressure Testing

The dryer must be isolated from the gas supply piping system by closing its individual manual shutoff valve during any pressure testing of the gas supply piping system at test pressures equal to or less than 1/2 psig (3.45 kPa).

In other words, if the test pressure is above 1/2 psig, disconnect pipe for dryer before testing pipe. If it is less than 1/2 psig, it's OK to leave connected but shut off internal shut-off valve in dryer.

The gas supply should be connected to the dryer using pipe joint compound or about 1 1/2 wraps of Teflon tape on male thread connections.

Do Not re-use flexible metal gas line. Flexible gas line must be design certified by American Gas Association (CGA in Canada).

Keep exhaust duct as straight and short as possible. Exhaust systems longer than recommended can extend drying times, affect machine operation and may collect lint.

DO NOT EXHAUST DRYER INTO ANY WALL, CEILING, CRAWL SPACE OR A CONCEALED SPACE OF A BUILDING, GAS VENT, ANY OTHER COMMON DUCT OR CHIMNEY. THIS COULD CREATE A FIRE HAZARD FROM LINT EXPELLED BY THE DRYER.

The exhaust duct should end with an exhaust hood with a swing out damper to prevent backdrafts and entry of wildlife. Never use an exhaust hood with a magnetic damper. The hood should have at least 12 inches of clearance between the bottom of the hood and the ground or other obstruction. The hood opening should point down. Never install a screen over the exhaust outlet.

When possible, do not exhaust the dryer directly into a window well in order to avoid lint build-up. Do not exhaust under a house or porch.

If exhaust ductwork must run through an unheated area, the duct should be insulated and slope slightly down towards the exhaust hood to reduce condensation and lint build-up.

If an existing exhaust system is to be used with your new dryer you must be sure the exhaust system meets all local codes and the following exhaust requirements.

- Plastic flexible duct is not used.
- Completely inspect and clean all lint accumulation from the interior of the duct.
- Duct is not kinked or crushed.
- Exhaust hood damper opens and closes freely.

Inspect and clean the interior of the exhaust system at least once a year. Disconnect electric service prior to cleaning. Check gas line on gas dryers anytime the dryer is moved.

Frequently check to be sure the exhaust hood damper opens and closes freely.

Non-exhausted Installations

Note: In Canada, all dryers must be exhausted to the outside.

If the dryer is not exhausted to the outside, an exhaust deflector should be installed along with a dacron mesh lint bag. Maintain a 6" clearance between the back of the control panel and the wall. Although the lint screen and lint bag will retain most of the lint, a certain amount will be expelled into the laundry area.

WARNING

If the dryer is not exhausted to the outside, some fine lint will be expelled into the laundry area. An accumulation of dust or lint in any area of the home creates a fire hazard. Any lint accumulations must be cleaned or vacuumed frequently.

GAS REQUIREMENTS

Use only Natural or LP gases.

WARNING

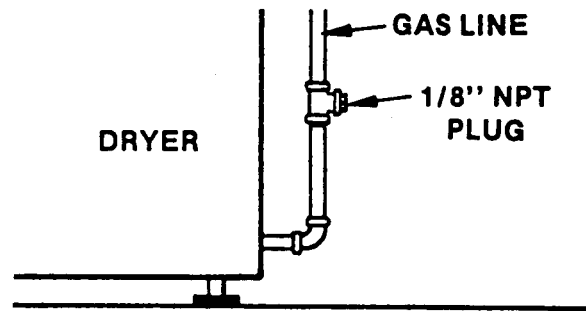
The installation must conform with local codes, or in the absence of local codes, with the national fuel gas code ANSI/Z223.1, latest revision (for the United States), or with the CAN/CGA-B149 installation codes (for Canada).

Gas dryers are equipped with a burner orifice for operation on NATURAL gas. **If the dryer is to be operated on LP (liquid propane) gas, it must be converted correctly for safety and proper performance and must be converted by a qualified service technician.** Conversion kits from NATURAL to LP, or LP to NATURAL are available. If other conversions are required, check with local gas utility for specific information concerning conversion requirements.

A 1/2" gas supply line is recommended and must be reduced to connect to the 3/8" gas line on the dryer.

Additionally, a 1/8" N.P.T. (National Pipe Thread) plugged tapping, accessible for test gage connection, must be installed immediately upstream of the gas supply connection to the dryer. Refer to your local gas utility or plumbing contractor should you have questions on the installation of the plugged tapping.

AGA Recommends:



High Pressure Testing

The dryer and its individual shutoff valve must be disconnected from the gas supply piping system during any pressure testing of the system at test pressures in excess of 1/2 psig (3.45 kPa).

Low Pressure Testing

The dryer must be isolated from the gas supply piping system by closing its individual manual shutoff valve during any pressure testing of the gas supply piping system at test pressures equal to or less than 1/2 psig (3.45 kPa).

In other words, if the test pressure is above 1/2 psig, disconnect pipe for dryer before testing pipe. If it is less than 1/2 psig, it's OK to leave connected but shut off internal shut-off valve in dryer.

The gas supply should be connected to the dryer using pipe joint compound or about 1 1/2 wraps of Teflon tape on male thread connections.

Do Not re-use flexible metal gas line. Flexible gas line must be design certified by American Gas Association (CGA in Canada).

Note: Any pipe joint compound used must be resistant to the action of any liquified petroleum gas.

Turn on gas supply and open the shutoff at the gas valve. Check all gas connections for leaks using a soap solution. If bubbles occur, tighten connections and recheck. **DO NOT use an open flame to check for gas leaks.**

Note: As a courtesy, many local gas utilities will inspect a gas appliance installation. Check with your utility to see if this service is provided in your area.

GAS IGNITION

This dryer uses an automatic ignition system to ignite the burner. **There is no constant burning pilot.**

ELECTRICAL REQUIREMENTS

NOTE: Wiring diagrams are located inside the control console.

OBSERVE ALL NATIONAL ELECTRICAL CODES AND LOCAL CODES AND ORDINANCES

WARNING

To prevent unnecessary risk of fire, electrical shock or personal injury, **all wiring and grounding must be done in accordance with local codes, or in the absence of local codes, with the National Electrical Code, ANSI/NFPA, No. 70, Latest Revision (for the United States) or the Canadian Electrical Code CSA C22.1 (for Canada)** It is the personal responsibility and obligation of the appliance owner to provide adequate electrical service for this appliance.

Grounding

This dryer must be grounded. In the event of malfunction or breakdown, the ground will reduce the risk of electrical shock by providing a path of least resistance for electric current.

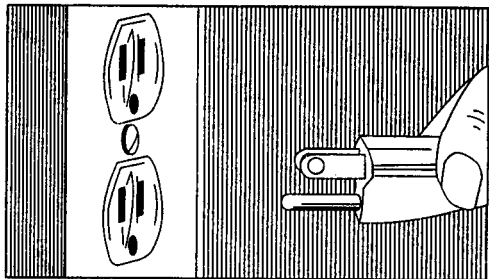
Gas Models

This appliance is equipped with a cord having an equipment-grounding conductor and a grounding plug. The plug must be plugged into an appropriate outlet that is properly installed and grounded in accordance with all local codes and ordinances.

WARNING

Improper connection of the equipment-grounding conductor can result in a risk of electric shock. Check with a qualified electrician or serviceman if in doubt as to whether the appliance is properly grounded.

Do not modify the plug provided with the appliance. If it will not fit the outlet, have a proper outlet installed by a qualified electrician.



An external ground wire, clamp and screws are provided for assistance in meeting local codes. Where approved, it is recommended this additional ground be installed. A suitable external ground connection **MUST** be determined prior to wire hookup. Consult local building officials and qualified electrician in the event any questions exist.

NEVER CONNECT GROUND WIRE TO PLASTIC PLUMBING LINES, GAS LINES, OR HOT WATER PIPES. ALL GROUNDING AND WIRING MUST BE DONE IN ACCORDANCE WITH NATIONAL AND LOCAL CODES.

Electric Models

U.S. MODELS ONLY

Electric dryers must be connected to a grounded metal, permanent wiring system; or an equipment grounding conductor must be run with the circuit conductors and connected to the equip-

ment grounding terminal on the back panel.

Electric models are shipped with a ground strap for grounding the dryer, which is connected from the neutral (P2) terminal block post to the frame of the dryer. The use of the ground strap is permitted by the National Electrical Code; however, if use of the ground strap is prohibited by local codes, the dryer must be grounded in accordance with local codes. The dryer electrical supply may be connected by means of a new U.L. listed power supply cord kit rated at 240 volts minimum, 30 amperes with three No. 10 copper wire conductors terminated with closed loop terminals, open-end spade lugs with turned up ends or with tinned leads.

ELECTRICAL CONNECTIONS

BEFORE OPERATING OR TESTING, follow grounding instructions in Grounding Section. An individual branch (or separate) circuit serving only this appliance is recommended. DO NOT USE AN EXTENSION CORD

IMPORTANT

When permitted by local codes, the dryer electrical supply may be connected by means of a new power supply cord kit, marked for use with clothes dryer, that is U.L. listed, rated at 120/240 volts minimum, 30 amperes with three No. 10 copper wire conductors terminated with closed loop terminals, open-end spade lugs with turned up ends or with tinned leads.

Do not reuse a power supply cord from an old dryer. The power cord must be marked for use with a clothes dryer and be retained with suitable UL listed strain relief.

If the dryer is to be installed in a mobile home or an area where local codes do not permit grounding through neutral, only a 4 conductor power cord, rated and terminated as above, may be used.

Gas Models

A 120 VOLT, 60 Hz electrical supply, with a 15 ampere fuse or circuit breaker is required.

Maytag gas operated dryers are designed for operation on 120 volt, 60 Hz AC approved electrical service, protected by a 15 amp fuse or comparable circuit breaker.

On gas models, the electrical power cord comes already attached to the dryer. Plug the power cord into a nearby 120 volt, 3-prong properly wired grounded receptacle.

Electric Models

To avoid the possibility of electrical shock, the dryer must not be connected to a 120 volt 2-wire circuit.

The electrical supply circuit should be fused through a 30 ampere fuse or circuit breaker on both sides of the line.

If a power cord is used, the cord should be plugged into a 30 ampere receptacle.

U.S. Models

Maytag electric dryers are manufactured to operate on 120/240 volt, 60 Hz AC approved electrical service. Should the dryer be operated on a 120/208 volt electrical system, the dryer must be converted. A heating element kit is available, which is used to convert the dryer from 240 volt to a 208 volt system.

Note: The service cord is **not** provided with U.S. electric model dryers.

Canadian Models - 120/240 Volt

ALL CANADIAN MODELS ARE SHIPPED WITH THE POWER CORD ATTACHED.

The dryer power cord should be plugged into a 30 amp receptacle and fused through a 30 amp fuse on both sides of the line.

NOTE

It is not permissible to convert a dryer in Canada to 208 volts.

Additional Information

50 Hertz Operation

Maytag Dryers are manufactured for operation on 60 HZ AC approved electrical service. The dryer is not designed for use on 50 Hz AC electrical service and conversion of the product from 60 to 50 Hz operation is not recommended. For additional information on 50 Hz products, write MAYTAG INTERNATIONAL, INC., 8700 BRYN MAWR AVE., / CHICAGO, ILLINOIS 60631. / Phone 312-714-0100.

INSTALLATION

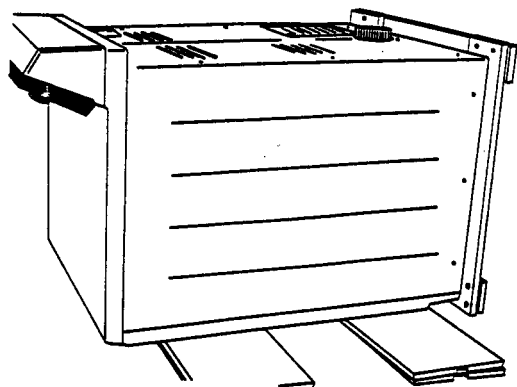
WARNING

- Improper connection of the equipment-grounding conductor can result in a risk of electrical shock. Check with a qualified electrician or serviceman if you are in doubt as to whether the appliance is properly grounded.
- To prevent unnecessary risk of fire, electrical shock or personal injury, **all wiring and grounding must be done in accordance with the National Electrical Code, ANSI/NFPA, No. 70, Latest Revision (for the United States) or the Canadian Electrical Code CSA C22.1 - Latest Revision (for Canada) and local codes and ordinances.** It is the personal responsibility and obligation of the appliance owner to provide adequate electrical service for this appliance.
- **All gas installations must be done in accordance with the National Fuel Gas Code ANSI/Z223.1 - Latest Revision (for the United States), or with the CAN/CGA-B149 Installation Codes - Latest Revision (for Canada) and local codes and ordinances.**

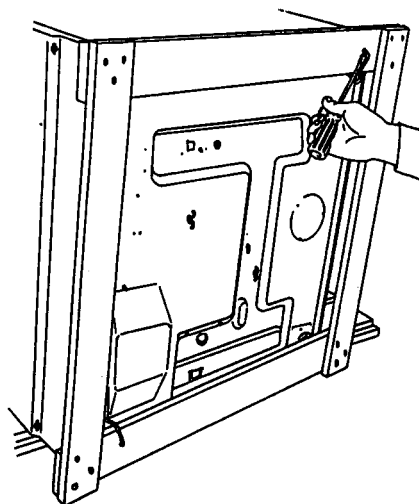
Parts and literature are packaged inside of dryer drum.

1. Move dryer to an appropriate location for installation. Consider installing the dryer before the washer in side-by-side installations, to allow access to gas, electrical, and exhaust connections.

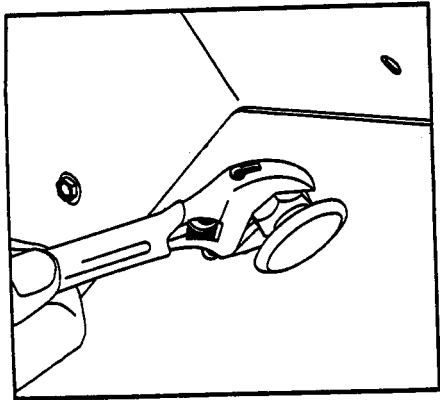
Lay two of the carton corner posts on the floor. Tip the dryer forward on its front so it will lay across both corner posts.



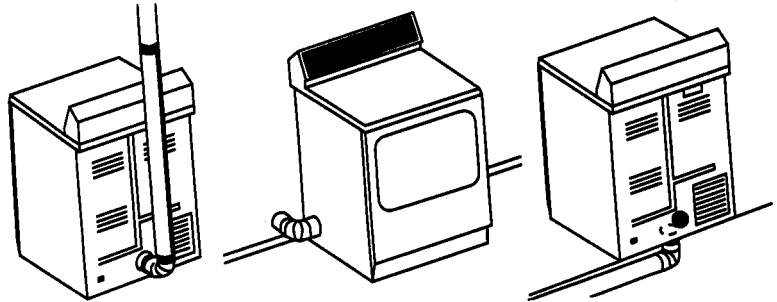
2. Remove the crate wires holding the crate base to the base frame. This can be done with a screwdriver.



- Loosen the leveling locking nuts and install the vinyl feet.



Service Note: For tight installation, install section of exhaust system of the dryer before moving the dryer in place. Use duct tape to secure this section to the dryer. Do not cover air louvers on dryer cabinet.

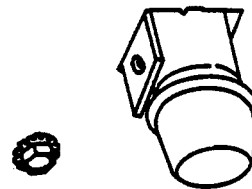


- Set the dryer back in an upright position.
- Review the **EXHAUST SECTION** before installing the exhaust system. Install the ductwork from the dryer to the exhaust hood. The crimped end of the duct sections must point away from the dryer. **DO NOT** use sheet metal screws when assembling rigid ducting. These joints should be taped. **Never use plastic flexible exhaust material.**

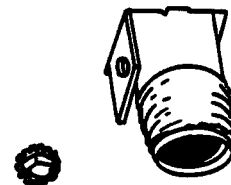
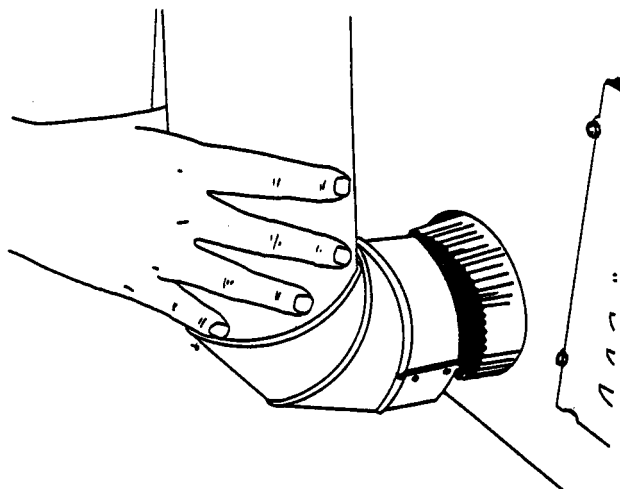
- Make the gas or electrical connection.

A.) To Make the Gas Connection:

- Review the **GAS REQUIREMENTS** in this section.

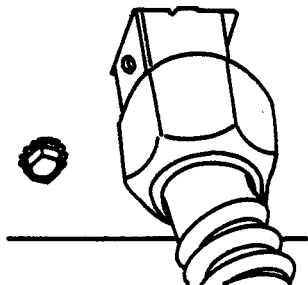


- Remove the pipe thread protective cap.

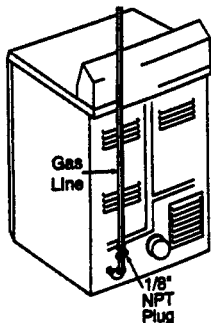


- Apply pipe joint compound or about 1 1/2 wraps of Teflon tape over the threads.

Note: Pipe joint compound must be resistant to the action of any liquified petroleum gas.



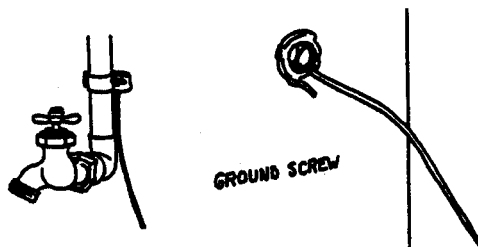
- Connect the gas supply to the dryer. Securely tighten the gas line fitting over threads.
- Turn on gas supply. Check all gas connections for leaks using a soap solution. If bubbles occur, tighten the connections and recheck. **DO NOT use an open flame to check for gas leaks.**



- **ADDITIONAL GROUNDING CONNECTIONS:** Review the ELECTRICAL REQUIREMENTS covered in this section.

Connect the ground wire to the back of unit by using the wire supplied.

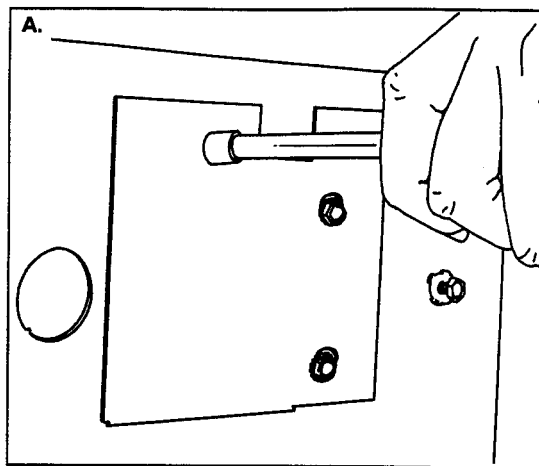
Secure the other end of the ground wire with a clamp to a grounded **COLD** water (metal) pipe.



- B.) To Make the Electrical Connection:** Review the ELECTRICAL REQUIREMENTS covered in this section.

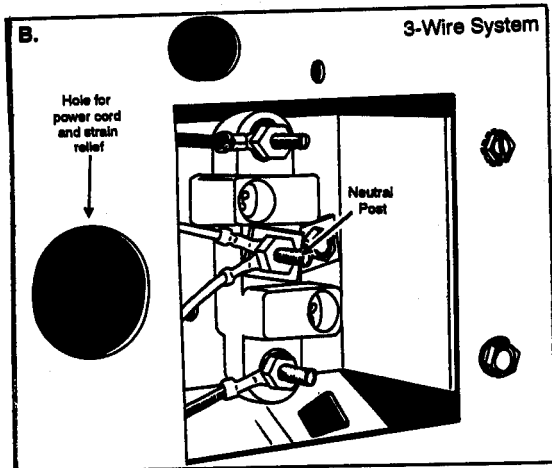
IMPORTANT - The dryer frame is grounded to the neutral conductor at the terminal block. If the dryer is installed in a mobile home, or if local codes do not permit grounding through the neutral, refer to 4 WIRE SYSTEM CONNECTIONS in the following pages.

- Remove the terminal block cover plate.



- Insert the power cord with a U.L. listed strain relief through the hole provided in the cabinet near the terminal block. Note, a strain relief must be used.

3-WIRE SYSTEM CONNECTIONS



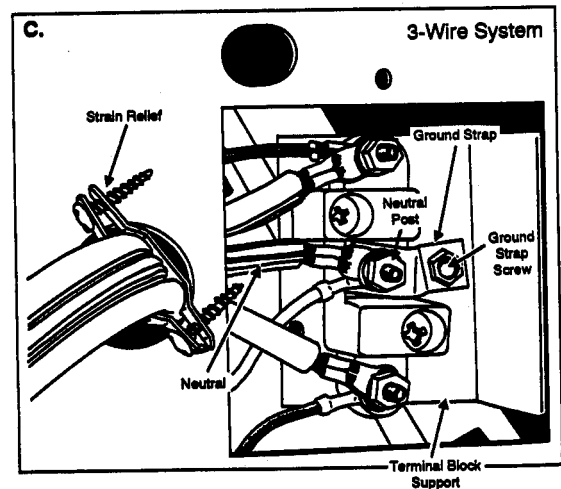
- a. The neutral (white or center wire on power cord) conductor must always be connected to the center (silver colored) post of the terminal block.
- b. Secure the power cord to the terminal block. Do not loosen the nuts already installed. Be sure they are tight. Use a 3/8" deep well socket.
- c. If the power cord has terminals, place the terminals over the existing nuts on the posts.
- d. Secure in place using the nuts provided in the accessories package. If the power cord does not have terminals, use the cupped washers ahead of the nuts.
- e. Connect the other two wires of the power cord to the outer posts of the terminal block using nuts provided.
- f. Be sure the terminal block nuts are tight. Secure the power cord in position. Tighten the

strain relief screw(s) in order to clamp the strain relief to the cord.

- g. Replace the terminal block cover.

Before operating or testing follow the grounding instructions covered in this section.

4-WIRE SYSTEM CONNECTIONS

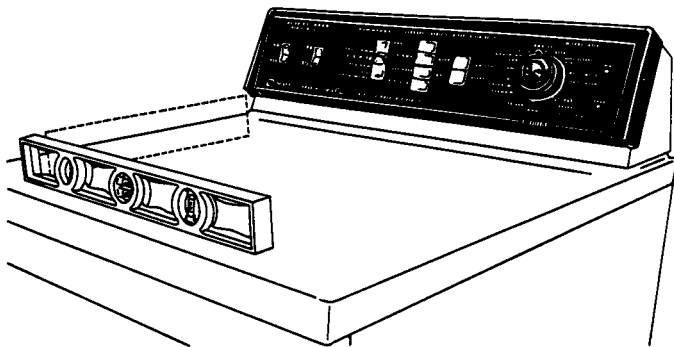


- a. Remove the ground strap screw from the terminal block support. Fold the ground strap over so both ends of the ground strap are attached to the center terminal block post.
- b. Connect the neutral white conductor of the cord to the center (silver) colored post of the terminal block. Connect the grounding (green) wire of the cord to the terminal block support using the ground strap screw.
- c. Connect the red and black wires of the cord to the outer posts of the terminal block.

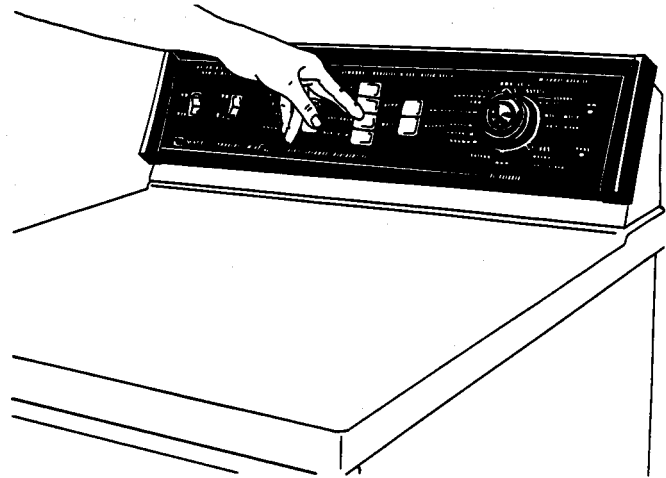
- d. Be sure the terminal block nuts are tight. Secure the power cord in position. Tighten the strain relief screw(s) in order to clamp the strain relief to the cord.
- e. Replace the terminal block cover.

WARNING: If converting from 4-wire electrical systems to 3-wire, the ground strap must be reconnected to terminal block support to ground the dryer frame to the neutral insulator.

7. With a level, check the dryer, and make necessary adjustments to the leveling legs. Once level, tighten the leveling leg locking nuts with a wrench.



8. To reverse dryer door direction, see user guide for instructions.
9. At this time, make sure all gas, exhaust and electrical connections are complete. Plug dryer in, and check operation.



10. **Gas Models Only** - The burner may not ignite initially due to air in the gas line. Allowing the dryer to operate on a heat setting will purge the line. If the gas does not ignite within five minutes, turn the dryer off and wait 5 minutes. Be sure the gas supply to the dryer has been turned on. In order to confirm gas ignition, an opening in the lower front panel between the panel screws exists for viewing the flame. Replace the hole plug after viewing.

ELECTRICAL TEST EQUIPMENT

The equipment required to service Maytag products depends largely upon the condition encountered. Locating a malfunction will often require the use of electrical testing equipment such as:

- Appliance Test Meter
- Clamp-on Ammeter
- Motor Test Cord
- Manometer

Appliance Test Meter

CAUTION

Always disconnect power supply before making continuity checks or taking resistance readings.

An Appliance Test Meter is a multi-purpose tester combining an AC-DC voltage tester with a multi-range ohmmeter.

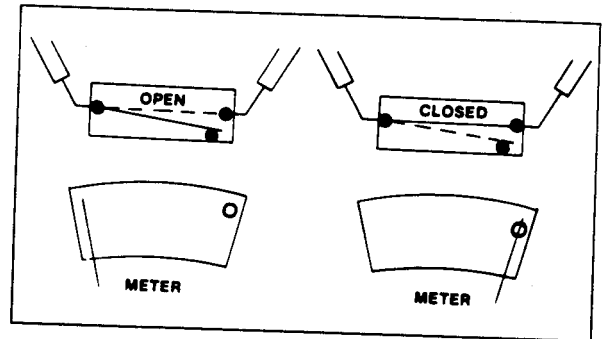


Probably the easiest means of testing electrical components is "continuity testing" with an appliance test meter. Continuity is a complete or continuous path from one point in an electrical circuit to another point.

The obvious advantages of being able to check electrical components and circuits without power applied is one of the features of the ohmmeter. Multiple ranges allow accurate determination of resistances of both single components and entire circuit paths. Resistance is measured in "ohms".

SET METER FOR USE AS FOLLOWS:

1. Calibrate meter by touching test probes together and turning adjusting dial until meter reads "0" on the ohm scale. Recheck calibration whenever adjusting dial for ohms settings is changed. (Replace battery if adjustment will not bring meter reading to "0".)
2. Select the scale most easily read and place test probes on respective terminals. When checking a switch, the reading would normally be either open or closed. A reading of 70 on the R x 10 scale would for example be 700 ohms resistance.



CAUTION

Always be sure the power has been disconnected before making resistance measurements. Failure to do so will result in damage to your meter! Internal batteries provide all the power needed to make resistance checks. They should be checked at least once a year and replaced as needed.

For the most part, we will only be concerned with continuity. Is there a path or not? References are made between a "closed" (continuity) reading and an "open" (no continuity) reading. One note, when you get an "open" reading, try a higher resistance range (setting).

A very high resistance appears as an "open" on the lower ranges. For best accuracy always "re-zero" meter when changing ranges and/or the physical position of the meter.

Continuity testing, as related to an electrical component, is the check of a part for an "open" or "closed" circuit.

Electrical components fall into two general categories.

1. **LOADS** - Devices that **use** or consume electricity. Examples would include drive motor, heating elements, lamps, timer and solenoid coils.
2. **SWITCHES** - Devices that **control** the supply of electricity to the load or loads in a circuit. Examples include door switches, timer contacts, selector switch and relay contacts.

Continuity tests of "load" devices will show varying levels of resistance from very low for some transformer and motor windings to very high for some timer motors and components on electronic control boards. Usually it is more important to know if there is a path for

current flow through a device (continuity) than to know the exact resistance (ohms) of the device.

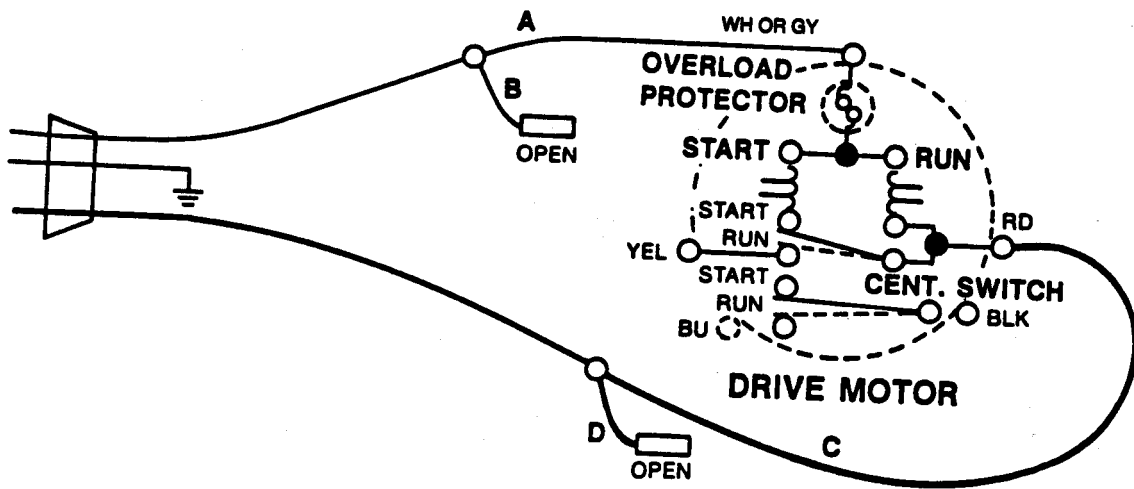
Continuity tests of switches will show virtually no resistance across closed contacts. Resistance, even low values indicates burned or dirty contacts in a switch.

Continuity testing is a process of eliminating those electrical components involved in a given function of the appliance, until the inoperative part is found. By reviewing the list of possible electrical problems under a given condition, and then performing appropriate continuity checks on the parts involved, you should be able to locate the electrical component which is inoperative.

When checking components or circuit paths for continuity, external wiring should be disconnected to eliminate false readings through external paths. Isolate what you want to test.

Resistance Checks: The following chart shows typical resistance values for some of the components found on the dryer.

DRYER	
Heating Element	10.2 ohms
Gas Valve - Disconnect harness plugs from gas valve coils. Measure resistance across terminal coils.	
Gas Valve Coils - Secondary, booster, holding	1250 ohms



DRYER MOTOR	
Red terminal to gray terminal	1.5 ohms
In order to measure resistance of both windings, check the red and gray wires. They should be removed from the motor start switch.	
Run Winding	2.25 ohms
Start Winding	3 ohms
Glow Bar Igniter -- Because of the make-up of the igniter, the resistance will vary over a rather wide range. Values from 180 ohms to 400 ohms would be typical with an igniter at room temperature.	
Thermistor	Avg. of 150K ohms About 18K at 140° F.
Heater Relay Coil (small terminals)	50K to 300K ohms
Motor Relay Coil (small terminals)	490 ohms
	520 ohms

Voltage Checks

CAUTION

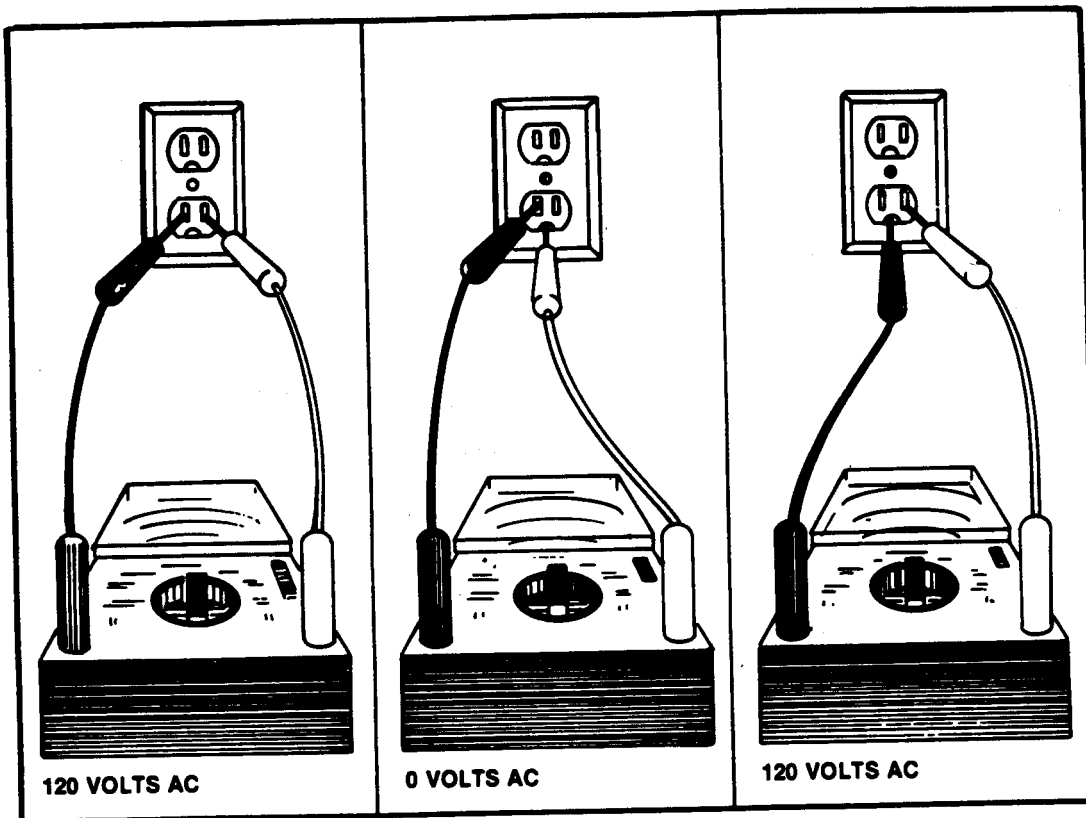
Use extreme care when checking voltage.

For the most part these checks will consist of taking readings at the wall receptacle in order to determine the availability of voltage to the product. Voltage checks on individual components of a product are NOT recommended due to the possibility of electrical shock. Component part testing is best accomplished through continuity checks with an Appliance Test Meter. (See section on Appliance Test Meter under ELECTRICAL TEST EQUIPMENT of this chapter.)

Note: Use of the meter on voltage higher than the indicated range may cause permanent damage to the meter. To prevent damage, first select highest range and then lower the range for readings which fall within the lower scale.

SET UP METER FOR USE AS FOLLOWS:

1. Turn selector knob to desired meter function and appropriate range.
2. Plug black lead into socket marked (-) negative.
3. Plug red lead into socket marked (+) positive.
4. Place test leads into receptacle in order to determine voltage available.



WARNING: For your safety and to protect the test equipment, be sure that the wall outlet is properly polarized and grounded.

Using Voltmeter As A Continuity Tester

CAUTION

Always disconnect power supply before making continuity checks or taking resistance readings.

While we normally think of continuity testing as only an ohmmeter function, a voltmeter can also be used, particularly when testing switch contacts. The primary difference is that power is applied to the circuit under test and appropriate caution **MUST** be exercised.

The voltmeter is connected across the component terminals with the wires still in place and with power disconnected. The meter is set for the 300 volt range and power is reconnected. A voltage reading indicates a voltage drop across the component. There should be no

voltage drop across closed switch contacts or fuses.

The voltmeter connected across thermostat terminal, as an example, will show no reading when the thermostat is calling for heat and will show line voltage when the thermostat cycles if timer is in heat cycle.

This type of continuity testing is an excellent method at locating questionable switch contacts. Any voltage drop across closed switch contacts indicates poor electrical contact. The resultant internal heating can shorten component life.

Using Meter For Temperature Readings

(50°F. to 300°F.)

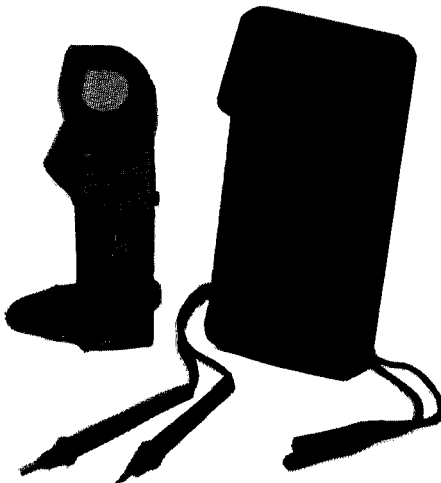
Dryer - Air temperature readings can be taken at the lint filter by removing

the filter and placing the accessory temperature probe directly in the center of the lint filter opening and replace the lint filter. Cycling of the thermostats can be observed as can the temperature of the exhaust air.

SET UP METER FOR USE AS FOLLOWS:

1. Turn selector knob to TEMP.
2. Insert black negative lead of temperature probe into black socket marked (-) negative.
3. Insert red positive lead of temperature probe into red socket marked (+) positive.
4. To calibrate meter, touch black plug from red positive lead to black negative lead and turn calibration dial until needle aligns with CAL.
5. Probe is ready to use - read blue scale on meter face marked TEMP.

Clamp-On Ammeter



Each circuit in an appliance has a "normal" current draw which is an indication of the performance of that circuit. Current draw levels, less than or more than normal, give clues to malfunctions. The clamp-on ammeter measures these currents without breaking the circuit by measuring the strength of the magnetic field developed around each conductor. Current is read by separating the conductors and clamping the jaws of the ammeter around each conductor on which current is to be read. Low amperage readings indicate problems such as damaged heating elements, etc. High amperage readings indicate the unit being tested is operating under an increased mechanical or electrical load.

Note: Overloads on a circuit breaker or fuse can be traced to the product being tested or the circuit breaker (or fuse) by checking the product's current draw. If the amperage reading is less than the breaker reading, the breaker or fuse box is at fault.

Note: A wattmeter reading will provide better information than an ammeter as it gives a more accurate indication.

DRYER OPERATING CURRENTS:

<i>Gas Dryers</i>		<i>Electric Dryers</i>	
Ignition	7.0 amps	Line 1	22.0 amps
Burner	4.5 amps	Line 2	20.0 amps
Air Only	4 amps	Neutral	4 amps

VOLTAGE CHECKS WITH AMMETER

Voltage readings may be taken by using the leads supplied with the meter. The meter is preset to read on the 0-300 VAC scale but can be dropped down to 0-150 VAC range by depressing the red button on the side of the meter.

Motor Test Cord

NOTE

Always plug test cord into a grounded receptacle.



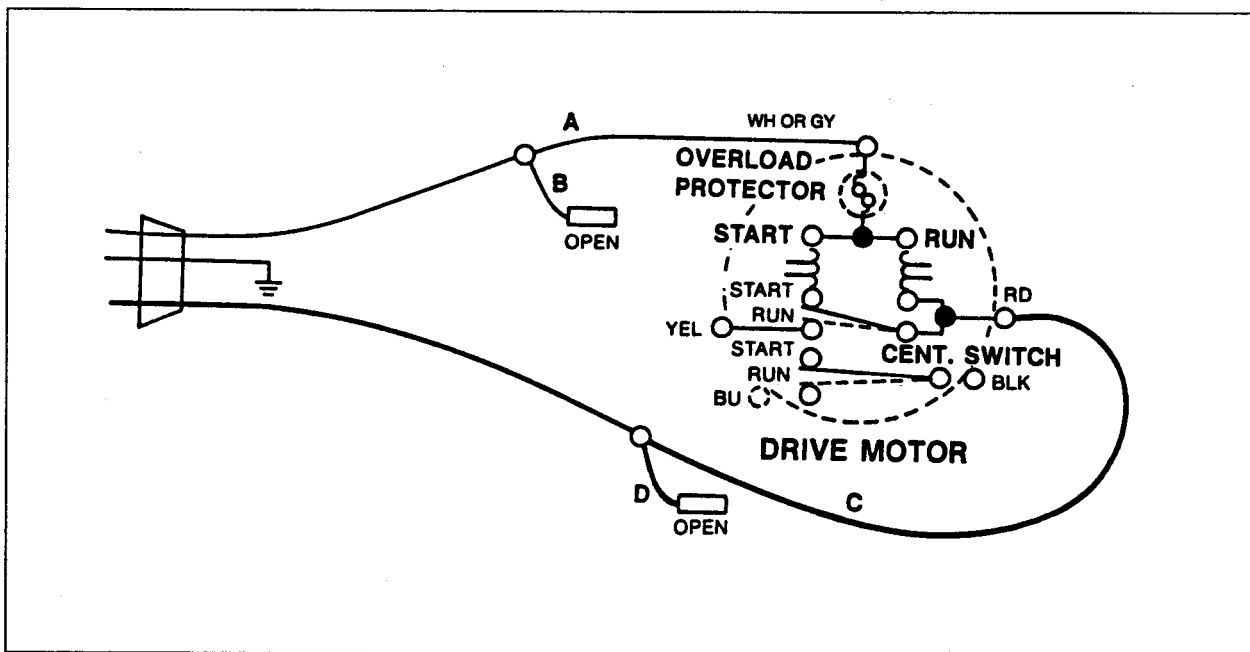
A motor test cord may be used to electrically check operation of the various electrical components without removing them from the unit. Testing in this manner merely determines whether or not the part will function independently of other electrical components. In order to make accurate tests, proper connection of the motor test cord is important. With the aid of the drawings under Drive Motor Test, installation of the motor test cord may be done quickly and accurately.

DRIVE MOTOR TEST - DRYER

The motor may be checked in the dryer or removed and checked on the bench.

Dryer Drive Motor

Two test leads are required to check operation of the dryer drive motor. To check the motor for running, hook up test cord as shown.



CHECKING HEAT CONTACTS - MOTOR CENTRIFUGAL SWITCH

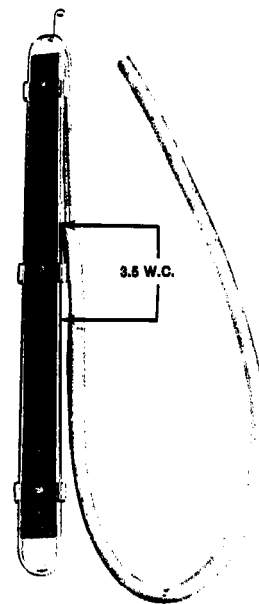
1. Disconnect dryer power source.
2. Gain access to motor and remove blue and black leads from motor switch.
3. Use either of the following test methods using appropriate caution.
 - A. Live test - Use Caution.**
 1. Using a wiring coupler, connect blue and black wires removed from motor switch.
 2. Reconnect dryer to power and set for heat cycle.
 3. Start dryer, if heat is produced, replace motor switch or motor. If no heat, continue additional circuit checks.
 - B. Insulate wires removed from motor switch.**
 1. Using clip adapters supplied with the Appliance Test Meter attach meter probes to the blue and black motor switch terminals.
 2. Arrange probe leads away from any moving parts and set meter on R x 1 range.
 3. Reconnect dryer to power source and start dryer, continuity on meter indicates good switch. No continuity, replace motor switch or motor.
 4. Open door to stop dryer. When motor stops, motor switch contacts must open, if not replace switch or motor.

Manometers

An insufficient gas flow can cause problems. Therefore, checking the gas pressure at the time service calls are performed may prevent a call back.

Gas pressure can be checked with an instrument called a "manometer". This device can tell you if there is a "low" LP tank, restricted gas flow, bad gas valve, a malfunctioning pressure regulator, too many gas appliances operating off of a small supply line, or an improperly converted appliance from Natural to LP gas.

Even though other types of manometers exist, the type of manometer we will discuss in this article is a "U"-shaped tube in which water is added. Both ends are open so the water can equalize and seek its own level, which of course will be the same in both legs of the "U"-shaped tube.



A flexible rubber hose is connected to the lower open end of the "U" tube and that hose is then connected to the gas

source. Gas pressure is exerted on only one of the water columns, pushing it down. The water level then would rise in the other column. A measurement of the differential in water levels is then taken as the measure of gas pressure.

We commonly use 3.5" of water column (W.C.) as the pressure setting in Natural gas valve for Maytag clothes dryers. The LP values and/or tank regulators are usually set at 11" W.C. for dryers.

HOW TO USE

Open access panel for dryer.

1. Turn off the gas at the in-line shutoff.
2. Install a 5/16" tapered fitting at the gas valve pressure tap. Use thread seal tape or compound on fitting.
3. Fill the open end of the manometer tube with water until each side equalizes at "0" water column.
4. Push the end of the manometer hose on fitting.
5. Turn gas on (check for leaks) and run the dryer in a heat cycle. Read the manometer with the burner on.

Note: Once test is completed, make sure plug is resealed in the gas valve

with pipe seal before placing the dryer back into normal operation. Check for a gas leak. This should be done with a soap or bubble solution. **NEVER USE OPEN FLAME TO CHECK FOR GAS LEAKS.**

If the Natural or LP gas reading is too high, it can burn the flame spreader. (This can also be caused by the wrong orifice or improper air mixture. But if these two things are okay, then check the gas pressure.)

GENERAL INFORMATION

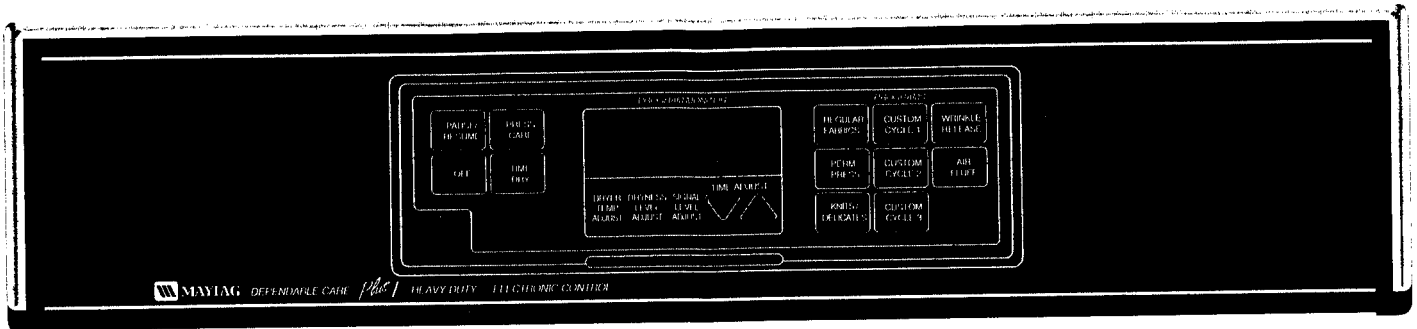
1997 MAYTAG DEPENDABLE CARE SPECIFICATIONS	
AIR FLOW	180 Cubic ft. per minute
EXHAUST	4" (10.2cm) duct permits exhaust up to a maximum of 50 feet (15.24m) rigid aluminum ductwork. Subtract 8 feet (2.44m) for each 90° elbow and 8 feet for an exhaust hood. Can be vented out the back, left side or down through the base.
MOTOR	1/4 H.P. rated; 120 Volt AC; 60 Hz; Thermoprotected against overload; auto-reset.
HEAT SOURCE	<ul style="list-style-type: none"> • Electric: 240 Volt AC 3-wire; 5300 Watts; 30 Amp fuse/circuit breaker. • Gas: Single port burner; 22,000 BTU/HR; Electric ignition; Automatic shut-off.
WEIGHT (Approx.)	Crated - 145 lbs. (66 Kg.); Uncrated - 125 lbs. (57Kg.)

1997 DEPENDABLE CARE FEATURES & CYCLES	AUTO. DRY		ELECT. DRY	
	LD9206	LD9306	LD9606	LD9806
CYCLES	4	6	6	7
Regular Fabrics	X	X	X	X
Permanent Press	X			X
Permanent Press.w/Press Care		X	X	Optional
Optional Press Care				X
Time Dry	X	X	X	X
Damp Dry		X	X	X
Wrinkle Release		X	X	X
Air Fluff	60 Min.	60 Min.	60 Min.	60 Min.
Temperature Settings	2	4	4	INF
Dryness Monitor			X	X
Type of Control	R	R	PB	PB/SL
Drying Rack				X
End of Cycle Signal	X	X	X	Chime
End of Cycle Signal On/Off				X
Drum Light			X	X
Sound Package	Q	Q	P	P2

P = Quiet Plus
 PB = Push Button
 P2 = Quiet Plus II

Q = Quiet Package
 R = Rotary Switches
 SL = Slider

SECTION 2. CONTROL OPERATING INSTRUCTIONS



Features may vary according to model

LD9904

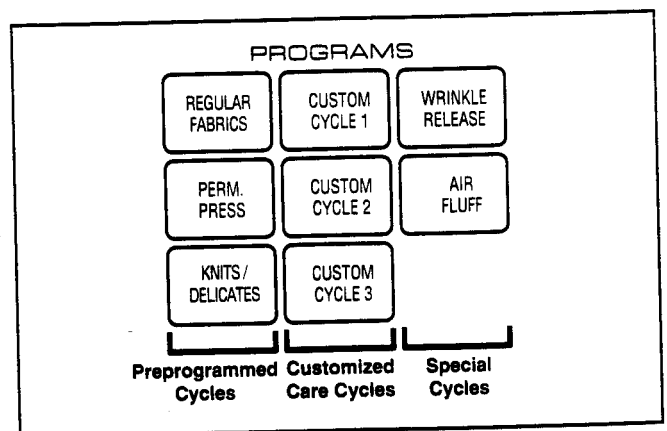
Operating this dryer can be as simple as touching one cycle pad. There are pre-programmed dry cycles which automatically sense moisture in the load and provide a Normal dryness level. Cycles can also be varied to fit specific load conditions or to customize favorite cycles.

When a pad is properly pressed, an audible tone will be heard and a red indicator will light in the pad.

1. **Select the Drying Cycle**
A pre-programmed temperature and dryness level will automatically be chosen. If these are the desired settings for the load, there is no need to make to make any other selection.
2. **Change the dryer temperature by** pressing the Dryer Temp Adjust pad.

3. **Change the dryness level by** pressing the Dryness Level Adjust pad.
4. **Select the Press Care or Time Dry options, if appropriate.**

Select the Cycle



The **Electronic Dry Control** pre-programmed cycles include Regular Fabrics, Permanent Press, and

Knits/Delicates. These cycles provide automatic sensing of the moisture amount in the load and shut off when the selected dryness is reached. The time required to reach that dryness will vary for each load according to the size of the load, the weight of the fabric, length of venting, etc. For these cycles, simply select the cycle.

The **Time Dry** cycle does not sense moisture in the load, but rather, dries items for a selected period of time.

Pre-Programmed Cycles

Regular Fabrics - Use this cycle for non-permanent press loads such as towels, underwear, etc. At the end of the cycle there is an automatic cool down of approximately 5 minutes. A tone will sound once during cool down and again at the end of the cycle.

Permanent Press - Use this cycle for permanent press loads or no-iron fabrics such as nylon, acrylic, polyester or blends. At the end of the cycle there is an automatic cool down of approximately 10 minutes. A tone will sound intermittently during the final 5 minutes of cool down indicating the cycle is nearly over.

Knits/Delicates - This cycle is designed for drying those heat sensitive items labeled "Tumble Dry Low", "Tumble Dry Warm", etc. A 5-minute automatic cool down is provided. A tone will sound intermittently during the final 2 minutes of cool down indicating the cycle is nearly over.

To change the selection simply press another cycle pad. If AIR FLUFF was chosen press the OFF pad before making another selection.

Customized Care Cycles

The CUSTOM CYCLE 1, 2 and 3 pads can be programmed with customized cycles to care for special loads or for convenience in selecting those frequently used cycles.

To program, first press a pre-programmed cycle pad and make the desired changes in temperature, dryness level, signal level and options. When all selection have been made, press one of the three CUSTOM CYCLE pads and hold until a long tone is heard. (Note: The first time these CUSTOM CYCLE pads are used or a prolonged power outage occurs, the pad must be held until three tones followed by a long tone are heard.) The tone(s) indicates that the customized cycle has been programmed. The next time that special cycle is desired, simply press the proper custom pad.

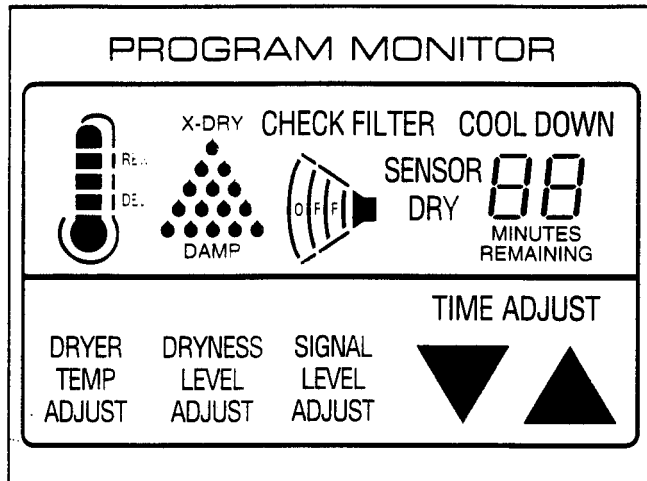
Special Cycles

Wrinkle Release- This cycle is designed to remove wrinkles from items that are clean and dry but slightly wrinkled from a crowded closet or suitcase or from sitting in the dryer after the cycle is complete. The dryer will tumble with heat for 8 minutes followed by 10 minutes of cool down. Press TIME ADJUST pads to increase or decrease this time. At 5 minutes remaining, a tone will signal and then again on each minute. A final tone will signal the end of the cycle.

Air Fluff - Use this cycle to fluff items in air at room temperature. It can also be used to dry heat sensitive plastic items, such shower curtains, plastic baby pants and vinyl items. Add a couple of dry towels to absorb moisture as plastic

items tumble. The dryer will automatically select 20 minutes of tumbling. Press the TIME ADJUST pads to increase or decrease this time. At the end of the cycle, the signal will sound.

Adjust the Cycle



Cycles can be easily and quickly varied to meet specific load condition. For example, the time may be lengthened or shortened; the signal level may be adjusted or the dryness level and dryer temperature may be changed.

Dryer Temperature Adjustment - The dryer will automatically select an appropriate temperature for the cycle selected - Regular fabrics, Permanent Press or Knits/Delicates. The temperature can be changed by pressing the DRYER TEMP ADJUST pad. You have a choice of three temperature settings for each cycle.

Dryer Level Adjustment - The Normal Dry setting will automatically be selected for a Sensor Dry cycle. The dryness can be adjusted from Damp Dry to Extra Dry by pressing the DRYNESS LEVEL ADJUST pad. Water drops will light in the display to indicate the level selected. For towels you may wish to increase dryness level.

Signal Level Adjustment - An audible signal will let you know when it is time to return to the dryer. The dryer signal consists of four audible tones. It will sound during the cool down and at the end of the cycle.

The volume of the signal is adjustable from loud to soft or turned off. Press the SIGNAL LEVEL ADJUST pad for a visual and audible indication of the loudness level.

Time Adjustment - Time can be adjusted on the Wrinkle Release and Air Fluff cycles and on the Time Dry option. Press the ▲ pad to increase time; press the ▼ pad to decrease the time. The time can be increased up to 99 minutes.

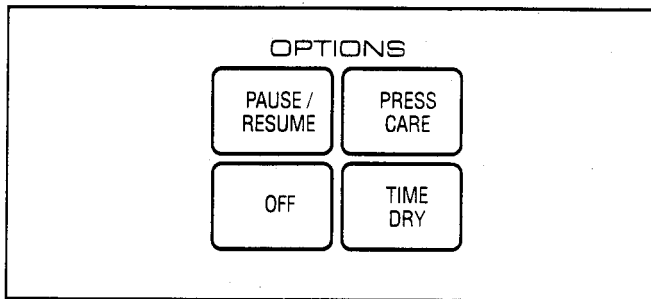
Time Monitor - A special feature of your dryer is the Time Monitor. The dryer will display the minutes of time remaining in Time Dry, Wrinkle Release, Air Fluff or Press Care.

On a Sensor Dry cycle the Time Monitor will display remaining time only when the dryer is in cool down. "COOL DOWN" and "MINUTES REMAINING" will light in the display. Prior to cool down, "SENSOR DRY" will light in the display.

Check Filter Reminder - The Program Monitor has a "CHECK FILTER" display that will light to remind the user to check and clean the lint filter between loads.

Select Options

Options are selected by pressing the pad once. To cancel, press the pad again.



PAUSE/RESUME

To interrupt the cycle without canceling any selections, press the PAUSE/RESUME pad while the dryer is in operation. An indicator on the pad will light. Press the pad again to resume the cycle from the point at which it was interrupted.

Off

Press this pad to cancel all selections and stop the dryer.

Press Care

This option will provide approximately 20 minutes of additional tumbling without heat followed by 70 additional minutes of brief intermittent tumbling (every 5 minutes). It helps prevent wrinkling of items after they are dry. A

tone will sound every 5 minutes during PRESS CARE.

Time Dry

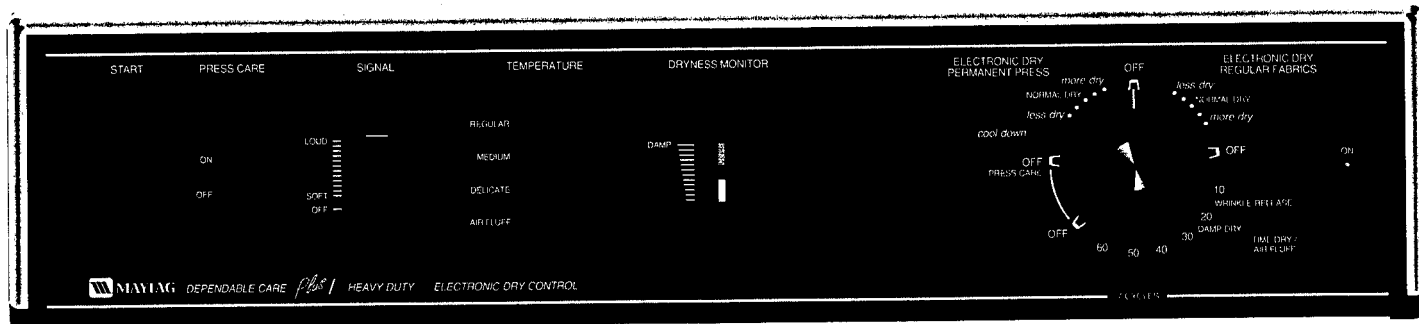
This cycle may be used for any load when Electronic Dry is not preferred. First select the appropriate cycle for the load, then press the TIME DRY option pad. The dryer will automatically select a dry time of 40 minutes for Regular Fabrics, 35 minutes for Permanent Press and 25 minutes for Knits/Delicates. To increase or decrease the time, press the proper TIME ADJUST pad.

Drum Light

The drum light comes on whenever the door is opened. Close the door after unloading to turn off the light.

If the drum light requires changing, follow these steps:

1. Unplug or disconnect the dryer's power source.
2. Unscrew the bulb located in the top center of the door opening by turning counterclockwise.
3. Replace it with a 7 watt, 120 volt candelabra base bulb (7C7).
4. Reconnect the power to the dryer.



Features may vary according to model

Select Options

Press Care

This option will provide approximately 20 minutes of additional tumbling without heat after the Permanent Press cycle only. It helps prevent wrinkling of items after they are dry. A buzzer will periodically sound to indicate the dryer is in this cool down portion of the cycle.

Signal Level (Not on all models)

On certain models the signal level for the buzzer may be adjusted from loud to soft or turned off by moving a slide bar. Other models may feature a ON/OFF switch to control the signal.

Select Drying Temperature

Firmly press one button to select the proper drying temperature. The choices are:

- Regular - Use for drying permanent press, sturdy cottons or regular gar-

ments and those items labeled "Tumble Dry," etc.

- Medium - (Not on all models) Use for synthetics and lightweight cottons and those items labeled "Tumble Dry Medium," etc.
- Delicate - Use for drying those heat-sensitive items labeled "Tumble Dry Low," "Tumble Dry Warm," etc.
- Air Fluff - Use this no heat temperature to fluff items in air at room temperature.

Select the Cycle

The **Electronic Dry Control** cycles include Regular Fabrics and Permanent Press. These cycles provide automatic sensing of the moisture amount in the load and shut off when the selected dryness is reached. The time required to reach that dryness will vary for each load according to the size of the load, the weight of the fabric, length of venting, etc. For these cycles, set the pointer to the desired dryness setting

for the cycle, More Dry, Normal Dry, Less Dry or anywhere in between.

The **Time Dry** cycle does not sense the moisture, but rather, dries items by setting a desired time on the dial.

Regular Fabrics - Use this cycle for non-permanent press loads such as towels, underwear, etc. At the end of the cycle there is an automatic cool down of approximately 6 minutes and a momentary buzzer.

Permanent Press - Use this cycle for permanent press loads or no-iron fabrics such as nylon, acrylic, polyester or blends. At the end of the cycle there is an automatic cool down of approximately 13 minutes.

Time Dry - This cycle may be used for any load when Electronic Dry is not preferred. Set the dial to the amount of time desired. This will be followed by approximately 5 minutes of cool down and a momentary buzzer.

Wrinkle Release- Found in the Time Dry portion of the dial, use this cycle to release wrinkles from items that are clean and dry but slightly wrinkled from a crowded closet or suitcase or from sitting in the dryer after the cycle is complete. The dryer will tumble with heat for 10 minutes followed by 5 minutes of cool down.

Damp Dry - To partially dry times to a damp state, select "Damp Dry" on the Time Dry portion of the controls. The clothes will tumble in heated air for approximately 20 minutes, then cool air for 5 minutes.

Air Fluff - Press the AIR FLUFF Temperature button to provide tumbling without

heat. Set the dial to the Time Dry portion for the amount of time needed.

Push the Button to Start

This dryer is designed so that it will not operate when the door is open. If the door is opened before the cycle is complete, the door must be closed and the start button pushed.

Indicator Lights

Dryness Monitor - Indicator lights in the dryness monitor will display when an electronic dry cycle is in operation. The top light will blink on and off. As loads dry, there will be longer pauses between each blink. No lights will display during Time Dry.

The bottom light in the monitor will remain on until the cool down portion of the cycle starts. During cool down the dryer continues to tumble the load in unheated air to help minimize wrinkling.

Note: The top monitor light may not blink when small loads of heavy, bulky items are dried, such as large rugs or sweaters.

On Light (Not on all Models)

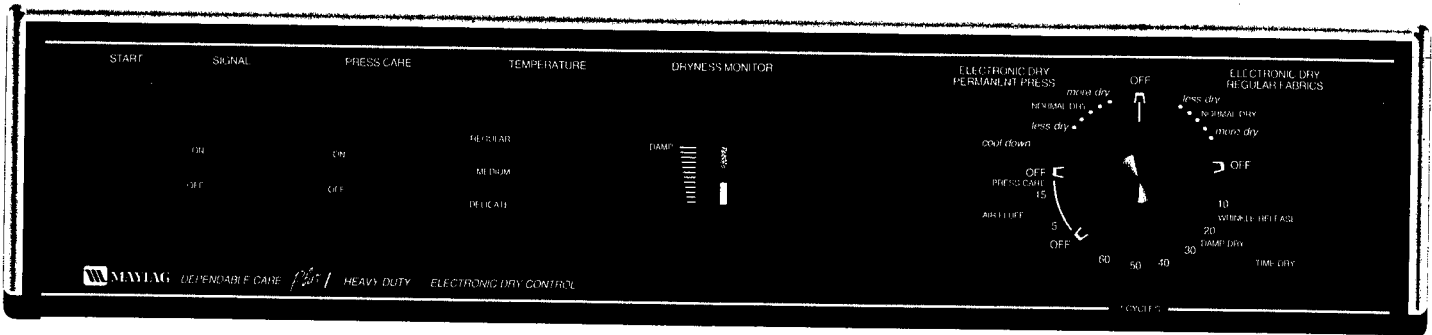
This indicator light stays on throughout the cycle to let you know the dryer is operating.

Drum Light

The drum light comes on whenever the door is opened. Close the door to turn off the light.

To change the drum light, follow these steps:

1. Unplug or disconnect the dryer from electrical source.
2. Unscrew the bulb located in the top center of the door opening by turning counterclockwise.
3. Replace it with a 7 watt, 120 volt candelabra base bulb (7C7).
4. Reconnect the power to the dryer.



Features may vary according to model

Select Options

Press Care

This option will provide approximately 15 minutes of additional tumbling without heat after the Permanent Press cycle only. It helps prevent wrinkling of items after they are dry. A buzzer will periodically sound to indicate the dryer is in this cool down portion of the cycle.

Dryer Signal

The signal for the buzzer may be turned on or off by pressing the ON or OFF button.

Select Drying Temperature

Firmly press one button to select the proper drying temperature. The choices are:

- **REGULAR** - Use for drying sturdy cottons or regular garments and those items labeled "Tumble Dry," etc.
- **MEDIUM** - Use for permanent press, synthetics and lightweight cottons and

those items labeled "Tumble Dry Medium," etc.

- **DELICATE** - Use for drying those heat sensitive items labeled "Tumble Dry Low," "Tumble Dry Warm," etc.

Select the Cycle

The *Electronic Dry Control* cycles include Regular Fabrics and Permanent Press. These cycles provide automatic sensing of the moisture amount in the load and shut off when the selected dryness is reached. The time required to reach that dryness will vary from each load according to the size of the load, the weight of the fabric, length of venting, etc. For these cycles, set the pointer to the desired dryness setting for the cycle. The *Time Dry* cycle does not sense the moisture, but rather, dries items by setting a desired time on the dial.

REGULAR FABRICS - Use this cycle for non-permanent press loads such as

towels, underwear, etc. At the end of the cycle there is an automatic cool down of approximately 6 minutes and a momentary buzzer.

PERMANENT PRESS - Use this cycle for permanent press loads or no-iron fabrics such as nylon, acrylic, polyester or blends. At the end of the cycle there is an automatic cool down of approximately 13 minutes. The buzzer will sound once or twice during the cool down to let you know the cycle is nearly over.

If it isn't convenient to remove the items at the end of the Permanent Press cycle, select the Press Care option to extend the cool down. It provides an additional 15 minutes of tumbling in unheated air. The buzzer will sound approximately every 5 minutes during this extended cool down to indicate the Press Care portion of the cycle.

TIME DRY - This cycle may be used for any load when Electronic Dry is not preferred. Set the dial to the amount of time desired. This will be followed by approximately 5 minutes of cool down and a momentary buzzer.

WRINKLE RELEASE - Found in the Time Dry portion of the dial, use this cycle to release wrinkles from items that are clean and dry but slightly wrinkled from a crowded closet or suitcase or from sitting in the dryer after the cycle is complete. It provides 10 minutes of heated tumbling and 5 minutes of cool down.

DAMP DRY - To partially dry items to a damp state, select Damp Dry on the Time Dry portion of the controls. The

clothes will tumble in heated air for approximately 20 minutes, then cool air for 5 minutes.

AIR FLUFF - Turn the dial to the AIR FLUFF portion and select 5 to 15 minutes of tumbling without heat.

Push the Button to Start

This dryer is designed so that it will not operate when the door is open. If the door is opened before the cycle is complete, the door must be closed and the start button pushed again to restart the dryer.

Indicator Lights

DRYNESS MONITOR

Indicator lights in the dryness monitor will display when an electronic dry cycle is in operation. The top light will blink on and off. As loads dry, there will be longer pauses between each blink. No lights will display during Time Dry.

The bottom light in the monitor will remain on until the cool down portion of the cycle starts. During cool down the dryer continues to tumble the load in unheated air to help minimize wrinkling.

NOTE: The top monitor light may not blink when small loads of heavy, bulky items are dried, such as large rugs or sweaters.

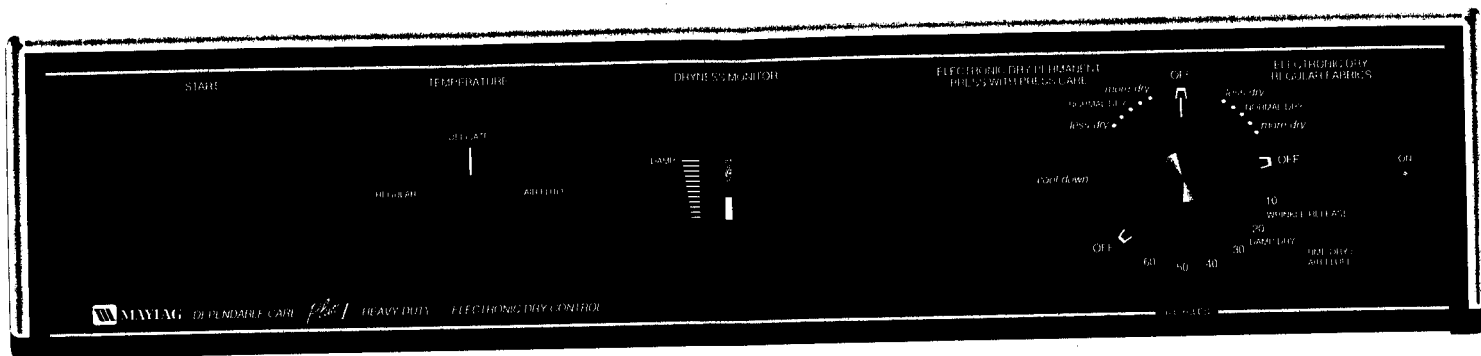
ON LIGHT (Not on all models) - This indicator light stays on throughout the cycle to let you know the dryer is operating.

Drum Light

The drum light comes on whenever the door is opened. Close the door to turn off the light.

To change the drum light, follow these steps:

1. Unplug or disconnect the dryer.
2. Unscrew the bulb by turning counterclockwise.
3. Replace it with a 7 watt, 120 volt candelabra base bulb (7C7).
4. Reconnect the power to the dryer.



Features may vary according to model

Select Drying Temperature

Turn the temperature selector knob to the proper drying temperature. The choices are:

- **Regular** - Use for drying permanent press, sturdy cottons or regular garments and those items labeled "Tumble Dry," etc.
- **Medium** - (Not on all models) Use for permanent press, synthetics and light-weight cottons and those items labeled "Tumble Dry Medium," etc.
- **Delicate** - Use for drying those heat-sensitive items labeled "Tumble Dry Low," "Tumble Dry Warm," etc.
- **Air Fluff** - Use this no heat temperature to fluff items in air at room temperature.

Select the Cycle

The **Electronic Dry Control** cycles include Regular Fabrics and Permanent Press. These cycles provide automatic sensing of the moisture amount in the load and shut off when the selected

dryness is reached. The time required to reach that dryness will vary for each load according to the size of the load, the weight of the fabric, length of venting, etc. For these cycles, set the pointer to the desired dryness setting for the cycle. The **Time Dry** cycle does not sense the moisture, but rather, dries items by setting a desired time on the dial.

Regular Fabrics - Use this cycle for non-permanent press loads such as towels, underwear, etc. At the end of the cycle there is an automatic cool down of approximately 6 minutes and a momentary buzzer.

Permanent Press - Use this cycle for permanent press loads or no-iron fabrics such as nylon, acrylic, polyester or blends. At the end of the cycle there is an automatic cool down of approximately 13 minutes.

Time Dry - This cycle may be used for any load when Electronic Dry is not preferred. Set the dial to the amount of

time desired. This will be followed by approximately 5 minutes of cool down and a momentary buzzer.

Wrinkle Release- Found in the Time Dry portion of the dial, use this cycle to release wrinkles from items that are clean and dry but slightly wrinkled from a crowded closet or suitcase or from sitting in the dryer after the cycle is complete. The dryer will tumble with heat for 10 minutes followed by 5 minutes of cool down.

Damp Dry - To partially dry times to a damp state, select "Damp Dry" on the Time Dry portion of the controls. The clothes will tumble in heated air for approximately 20 minutes, then cool air for 5 minutes.

Air Fluff - Turn the temperature selector knob to AIR FLUFF and set the desired number of minutes on the Time Dry portion of the dial. This provides tumbling without heat.

Push the Button to Start

This dryer is designed so that it will not operate when the door is open. If the door is opened before the cycle is complete, the door must be closed and the start button pushed.

Indicator Lights

Dryness Monitor - Indicator lights in the dryness monitor will display when an electronic dry cycle is in operation. The top light will blink on and off. As loads

dry, there will be longer pauses between each blink. No lights will display during Time Dry.

The bottom light in the monitor will remain on until the cool down portion of the cycle starts. During cool down the dryer continues to tumble the load in unheated air to help minimize wrinkling.

Note: The top monitor light may not blink when small loads of heavy, bulky items are dried, such as large rugs or sweaters.

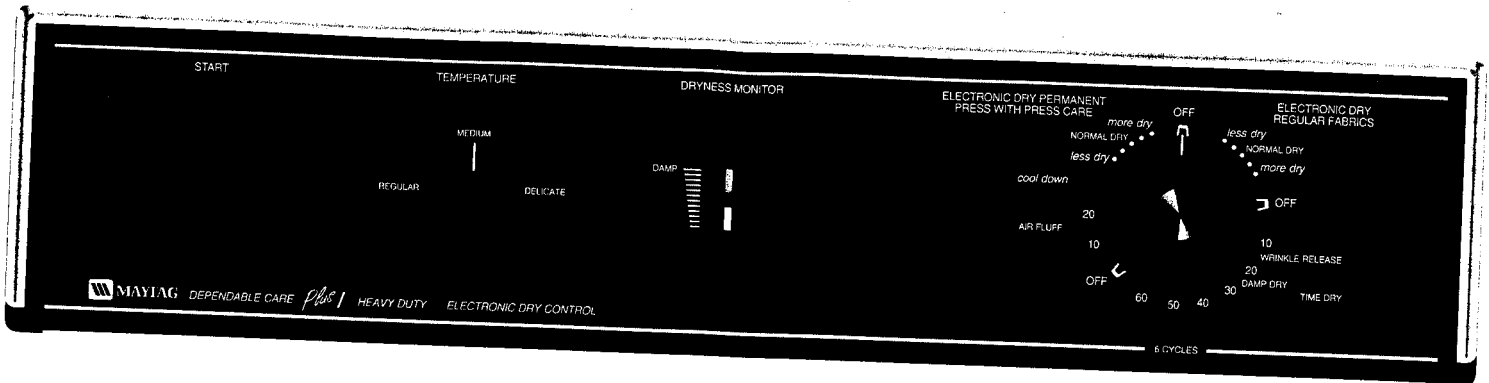
On Light (Not on all Models) This indicator light stays on throughout the cycle to let you know the dryer is operating.

Drum Light

The drum light comes on whenever the door is opened. Close the door to turn off the light.

To change the drum light, follow these steps:

1. Unplug or disconnect the dryer from electrical source.
2. Unscrew the bulb located in the top center of the door opening by turning counterclockwise.
3. Replace it with a 7 watt, 120 volt candelabra base bulb (7C7).
4. Reconnect the power to the dryer.



Features may vary according to model

Select Drying Temperature

Turn the temperature selector knob to the proper drying temperature. The choices are:

- **REGULAR** - Use for drying sturdy cottons or regular garments and those items labeled "Tumble Dry," etc.
- **MEDIUM** - Use for permanent press, synthetics and lightweight cottons and those items labeled "Tumble Dry Medium," etc.
- **DELICATE** - Use for drying those heat-sensitive items labeled "Tumble Dry Low," "Tumble Dry Warm," etc.

Select the Cycle

The **Electronic Dry Control** cycles include: Regular Fabrics and Permanent Press. These cycles provide automatic sensing of the moisture amount in the load and shut off when the selected dryness is reached. The time required to reach that dryness will vary for each load according to the size of the load, the weight of the fabric, length of

venting, etc. For these cycles, set the pointer to the desired dryness setting for the cycle. The **Time Dry** cycle does not sense the moisture, but rather, dries items by setting a desired time on the dial.

REGULAR FABRICS - Use this cycle for non-permanent press loads such as towels, underwear, etc. At the end of the cycle there is an automatic cool down of approximately 6 minutes and a momentary buzzer.

PERMANENT PRESS - Use this cycle for permanent press loads or no-iron fabrics such as nylon, acrylic, polyester or blends. At the end of the cycle there is an automatic cool down of approximately 13 minutes. The buzzer will sound once or twice during the cool down to let you know the cycle is nearly over.

The **Press Care** feature in this cycle extends the cool down portion. It provides an additional 20 minutes of tumbling in unheated air. The buzzer will

sound approximately every 5 minutes during this extended cool down.

TIME DRY - This cycle may be used for any load when Electronic Dry is not preferred. Set the dial to the amount of time desired. This will be followed by approximately 5 minutes of cool down and a momentary buzzer.

WRINKLE RELEASE - Found in the Time Dry portion of the dial, use this cycle to release wrinkles from items that are clean and dry but slightly wrinkled from a crowded closet or suitcase or from sitting in the dryer after the cycle is complete. It provides 10 minutes of heated tumbling and 5 minutes of cool down.

DAMP DRY - To partially dry items to a damp state, "Damp Dry" on the Time Dry position of the controls. The clothes will tumble in heated air for approximately 20 minutes, then cool air for 5 minutes.

AIR FLUFF - Turn the cycle selector dial to the AIR FLUFF portion for the desired number of minutes. This provides tumbling without heat.

Push the Button to Start

This dryer is designed so that it will not operate when the door is open. If the door is opened before the cycle is complete, the door must be closed and the start button pushed.

Indicator Lights

DRYNESS MONITOR

Indicator lights in the dryness monitor will display when an electronic dry

cycle is in operation. The top light will blink on and off. As loads dry, there will be longer pauses between each blink. No lights will display during Time Dry.

The bottom light in the monitor will remain on until the cool down portion of the cycle starts. During cool down the dryer continues to tumble the load in unheated air to minimize wrinkling.

NOTE: The top monitor light may not blink when small loads of heavy, bulky items are dried, such as large rugs or sweaters.

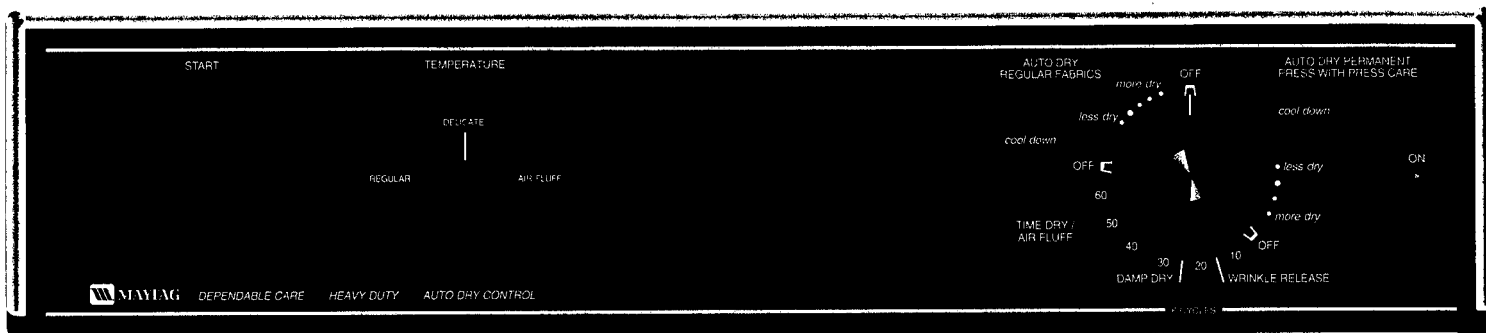
ON LIGHT (Not on all models) - This indicator light stays on throughout the cycle to let you know the dryer is operating.

Drum Light **(Not on all models)**

The drum light come on whenever the door is opened. Close the door to turn off the light.

To change the drum light, follow these steps:

1. Unplug or disconnect the dryer.
2. Unscrew the bulb by turning counterclockwise.
3. Replace it with a 7 watt, 120 volt candelabra base bulb (7C7).
4. Reconnect the power to the dryer



Features may vary according to model

Select Drying Temperature

Turn the temperature selector knob to the proper drying temperature. The choices are:

- Regular - Use for drying sturdy cottons or regular garments and those items labeled "Tumble Dry," etc.
- Medium - (Not on all models) Use for permanent press, synthetics and lightweight cottons and those items labeled "Tumble Dry Medium," etc.
- Delicate - Use for drying those heat-sensitive items labeled "Tumble Dry Low," "Tumble Dry Warm," etc.
- Air Fluff - Use this no heat temperature to fluff items in air at room temperature.

Select the Cycle

The Auto-Dry cycles allow you to set the degree of dryness for each load. The dryer adjusts for the size of load, weight of fabric and amount of moisture in the load, then shuts off when the items reach the dryness level selected. For

this reason, the drying time for each load may vary. The large • is the preferred initial setting. However, several dryness levels within the Auto-Dry cycles allow various levels of moisture to be selected. The three most common are listed, but levels can be set between these:

1. **Less Dry** - This setting is used for lightweight synthetic loads or when more than the normal amount of moisture remaining is desired.
2. **Large •** - This is the preferred initial setting used for the majority of loads where a normal amount of moisture remaining is desired.
3. **More Dry** - This setting would be used to completely dry heavyweight, hard-to-dry loads such as thick towels, rugs and work clothes or for extra dryness of any load.

Regular Fabrics - Use this cycle for non-permanent press loads such as towels, underwear, etc. At the end of the cycle there is an automatic cool down of

approximately 6 minutes and a momentary buzzer.

Permanent Press - Use this cycle for permanent press loads or no-iron fabrics such as nylon, acrylic, polyester or blends. At the end of the cycle there is an automatic cool down of approximately 13 minutes.

The Press Care feature in this cycle extends the cool down portion. It provides an additional 20 minutes of tumbling in unheated air. The buzzer will sound approximately every 5 minutes during this extended cool down.

Time Dry - This cycle may be used for any load when Auto-Dry is not preferred. Set the dial to the amount of time desired. This will be followed by approximately 5 minutes of cool down and a momentary buzzer.

Wrinkle Release- Found in the Time Dry portion of the dial, use this cycle is designed to release wrinkles from items that are clean and dry but slightly wrinkled from a crowded closet or suitcase or from sitting in the dryer after the cycle is complete. The dryer will tumble with heat for 10 minutes followed by 5 minutes of cool down.

Damp Dry - To partially dry items to a damp state, select "Damp Dry" on the Time Dry portion of the controls. The clothes will tumble in heated air for approximately 20 minutes, then cool air for 5 minutes.

Air Fluff - Turn the temperature selector knob to Air Fluff and set the desired number of minutes on the Time Dry portion of the dial. This provides tumbling without heat.

Push the Button to Start

This dryer is designed so that it will not operate when the door is open. If the door is opened before the cycle is complete, the door must be closed and the start button pushed.

On Light (Not on all Models)

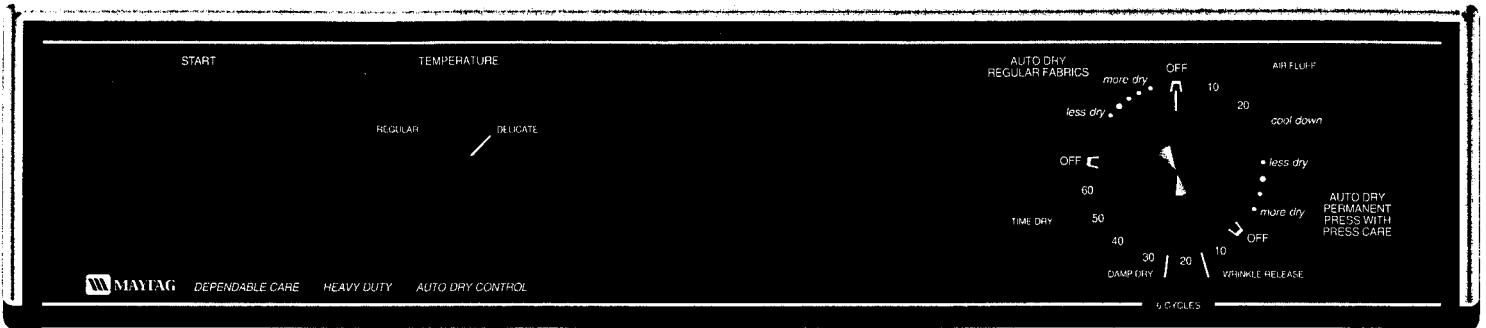
The drum light comes on whenever the door is opened. Close the door to turn off the light.

Drum Light

The drum light comes on whenever the door is opened. Close the door to turn off the light.

To change the drum light, follow these steps:

1. Unplug or disconnect the dryer from electrical source.
2. Unscrew the bulb located in the top center of the door opening by turning counterclockwise.
3. Replace it with a 7 watt, 120 volt candelabra base bulb (7C7).
4. Reconnect the power to the dryer.



Features may vary according to model

Select Drying Temperature

Turn the temperature selector knob to the proper drying temperature. The choices are:

- **REGULAR** - Use for drying sturdy cottons or regular garments and those items labeled "Tumble Dry," etc.
- **MEDIUM** - (Not on all models). Use for permanent press, synthetics and lightweight cottons and those items labeled "Tumble Dry Medium," etc.
- **DELICATE** - Use for drying those heat-sensitive items labeled "Tumble Dry Low," "Tumble Dry Warm," etc.

Select the Cycle

The Auto-Dry cycles allow you to set the degree of dryness for each load. The dryer adjusts for the size of load, weight of fabric and amount of moisture in the load, the shuts off when the items reach the dryness level selected. For this reason, the drying time for each load may vary. The large • is the preferred initial setting. However, several dryness levels within the Auto-Dry

cycles allow various levels of moisture to be selected. The three most common are listed, but levels can be set between these:

- **Less Dry** - This setting is used for lightweight synthetic loads or when more than the normal amount of moisture remaining is desired.
- **Large •** - This is the preferred initial setting used for the majority of loads where a normal amount of moisture remaining is desired.
- **More Dry** - This setting would be used to completely dry heavyweight, hard-to dry loads such as thick towels, rugs and work clothes or for extra dryness of any load.

REGULAR FABRICS - Use this cycle for non-permanent press loads such as towels, underwear, etc. At the end of the cycle there is an automatic cool down of approximately 6 minutes and a momentary buzzer.

AIR FLUFF - Use this no heat cycle to fluff decorator items in air at room tem-

perature. Turn the cycle control knob to Air Fluff for up to 20 minutes of tumbling without heat.

PERMANENT PRESS - Use this cycle for permanent press loads or no-iron fabrics such as nylon, acrylic, polyester or blends. At the end of the cycle there is an automatic cool down of approximately 13 minutes. The buzzer will sound once or twice during the cool down to let you know the cycle is nearly over.

The Press Care feature in this cycle extends the cool down portion. It provides an additional 20 minutes of tumbling in unheated air. The buzzer will sound approximately every 5 minutes during this extended cool down.

TIME DRY - This cycle may be used for any load when Auto-Dry is not preferred. Set the dial to the amount of time desired. This will be followed by approximately 5 minutes of cool down and a momentary buzzer.

WRINKLE RELEASE - Found in the Time Dry portion of the dial, use this cycle to

release wrinkles from items that are clean and dry but slightly wrinkled from a crowded closet or suitcase or from sitting in the dryer after the cycle is complete. It provides 10 minutes of heated tumbling and 5 minutes of cool down.

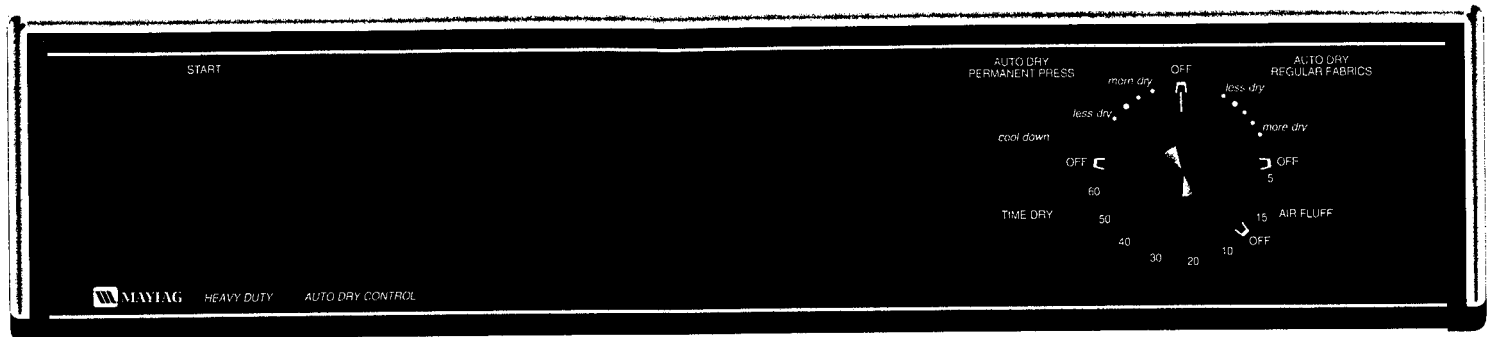
DAMP DRY - To partially dry items to a damp state, "Damp Dry" on the Time Dry portion of the controls. The clothes will tumble in heated air for approximately 20 minutes, then cool air for 5 minutes.

Push the Button to Start

This dryer is designed so that it will not operate when the door is open. If the door is opened before the cycle is complete, the door must be closed and the start button pushed again to restart the dryer.

On Light (Not on all models)

This indicator light stays on throughout the cycle to let you know the dryer is operating.



Features may vary according to model

Select the Cycle

The Auto-Dry cycles allow you to set the degree of dryness for each load. The dryer adjusts for the size of load, weight of fabric and amount of moisture in the load, then shuts off when the items reach the dryness level selected. For this reason, the drying time for each load may vary. The Large • is the preferred initial setting. However, several dryness levels within the Auto-Dry cycles allow various levels of moisture to be selected. The three most common are listed, but levels can be set between these:

1. **Less Dry** - This setting is used for lightweight synthetic loads or when more than the normal amount of moisture remaining is desired.
2. **Large •** - This is the initial preferred setting used for the majority of loads where a normal amount of moisture remaining is desired.
3. **More Dry** - This setting would be used to completely dry heavyweight,

hard-to-dry loads such as thick towels, rugs and work clothes or for extra dryness of any load.

REGULAR FABRICS - Use this cycle for non-permanent press loads such as towels, underwear, etc. At the end of the cycle there is an automatic cool down of approximately 6 minutes and a momentary buzzer.

AIR FLUFF - Use this no heat cycle to fluff decorator items in air at room temperature. Turn the cycle control knob to Air Fluff for up to 15 or 30 minutes of tumbling without heat (depending on the model).

PERMANENT PRESS - Use this cycle for permanent press loads or no-iron fabrics such as nylon, acrylic, polyester or blends. At the end of the cycle there is an automatic cool down of approximately 13 minutes. The buzzer will sound once or twice during the cool down to let you know the cycle is nearly over.

TIME DRY (Not on all models) - This cycle may be used for any load when Auto-Dry is not preferred. Set the dial to the amount of time desired. This will be followed by approximately 5 minutes of cool down and a momentary buzzer.

Push the Button to Start

This dryer is designed so that it will not operate when the door is open. If the door is opened before the cycle is complete, the door must be closed and the start button pushed.

CONTROL OPERATING INSTRUCTIONS

DRYER CYCLES:

***IntelliDry* REGULAR**

Automatically senses the moisture in the load and shuts off when the selected dryness level is reached. This cycle is designed for loads such as towels, underwear, t-shirts, jeans, etc. Set control to the desired dryness level (more dry - less dry) and press START. The initial preferred setting for the majority of loads is identified with a symbol (▲).

***IntelliDry* EASY CARE/ PERMANENT PRESS**

Automatically senses the moisture in the load and shuts off when the selected dryness level is reached. Permanent Press minimizes wrinkles of man-made fabrics such as acrylic, nylon, polyester, or blends by providing extended "cool down" tumbling of the load in unheated air at the end of the cycle. Set control to the desired dryness level (more dry - less dry) and press START.

PRESS CARE

Provides approximately 20 minutes of tumbling in unheated air after the Permanent Press cycle to prevent wrinkling.

AUTO DRY REGULAR

Designed for loads such as towels, underwear, t-shirts, jeans, etc. Set the control to the desired dryness level (more dry - less dry) and press START. The initial preferred setting for the majority of loads is identified with a symbol (▲).

AUTO DRY EASY CARE/ PERMANENT PRESS with Press Care

Designed for permanent press or man-made fabrics such as acrylic, nylon, polyester or blends. It minimizes wrinkling by providing extended "cool down" tumbling of the load in unheated air at the end of the cycle. Set the control to the

desired dryness level (more dry - less dry) and press the start button. The initial preferred setting for the majority of loads is identified with a symbol (▲).

TIME DRY/AIR FLUFF

Selected for any load if the Auto Dry or *IntelliDry* sensor system is not desired. Set the control to the desired number of minutes and choose the appropriate drying temperature for the load. Press START.

DAMP DRY

Designed to "partially" dry items. Provides approximately 20 minutes of heated tumbling and 5 minutes of cool down tumbling without heat.

WRINKLE RELEASE

Releases wrinkles from items that are clean and dry but slightly wrinkled. Provides 10 minutes of heated tumbling and 5 minutes of cool down tumbling without heat.

DRYER OPTIONS of the *IntelliDry* Electronic Drying System with Moisture Monitor

IntelliDry

Uses an electronic sensor to sense the dampness in the clothes load. This type of drying is the most energy efficient as the dryer shuts off when the load reaches the dryness level the consumer selects.

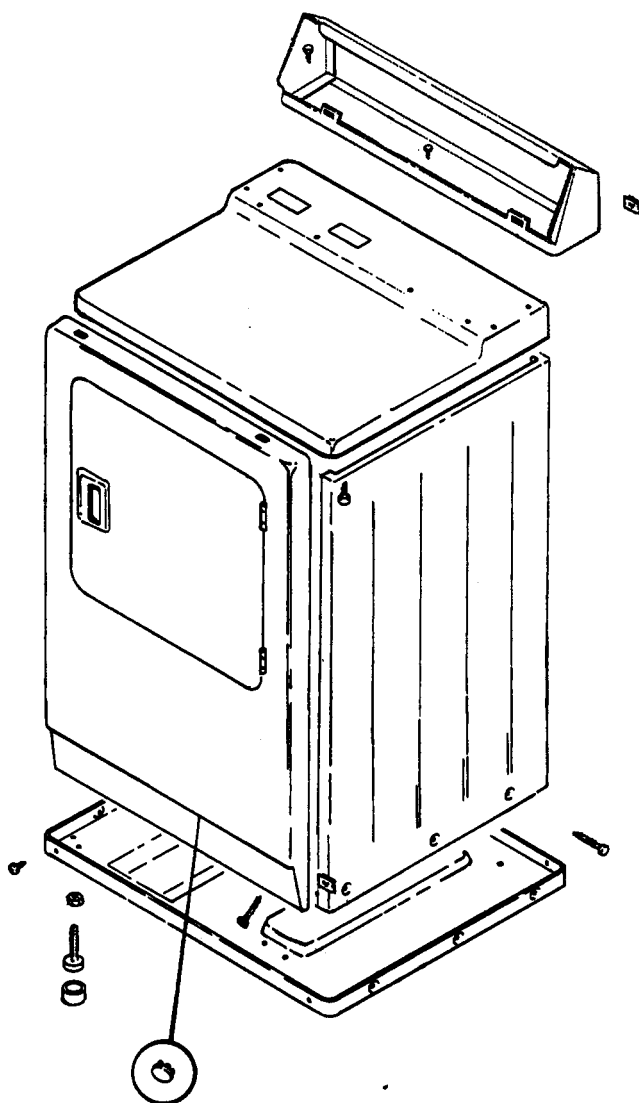
Moisture Monitor

Aids the consumer in judging how the load is drying. The top light in the monitor (High Moisture) blinks as wet items hit the sensor. As the load dries, the top light will blink less. The lower light (Less Moisture) remains on during the drying process and shuts off when the dryer reaches cool down.

SECTION 3. DRYER - SERVICE PROCEDURES

As a general rule, appliance should always be disconnected from power source before servicing appliance or replacing component parts.

CABINET AND TOP COVER



CONSOLE

1. Disconnect power supply.
2. Remove control panel assembly.
3. Remove eight screws, two on each side and four across the front, holding console to top cover.

TOP COVER

1. Disconnect power supply.
2. Remove front panel.
3. Remove two screws (one in each front corner) which hold top cover to cabinet.
4. Remove main wire harness wiring from components on control panel.
5. Remove control panel assembly.
6. Pull main wire harness through opening in top cover.
7. Remove console.
8. Push top cover back to disengage from cabinet and remove top cover.

CABINET REMOVAL

1. Disconnect power supply.
2. Remove front panel.
3. Remove top cover assembly.
4. Remove tumbler.
5. Remove tumbler rear.
6. Remove six screws (three on each side) holding cabinet to base frame.

Remove screws at front corners and across back. Remove cabinet.

CONTROLS

TYPES OF CONTROLS

There are three basic types of controls used to determine the operating time of Maytag dryers;

- Automatic Control w/Time Dry (option)
- Electronic Control w/Time Dry (option)
- Microprocessor Touch Control

Auto-Dry Control uses a thermostat that measures the exhaust temperature, turning off the dryer when the clothes are dry.

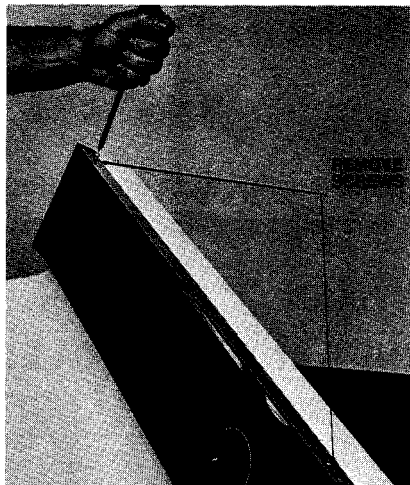
Electronic-Dry Control uses a sensor that turns off the dryer when the preset drying level has been reached.

Microprocessor Touch Control uses touch control computerized communication on all the cycle selections through symbols and words.

To Access Control Components

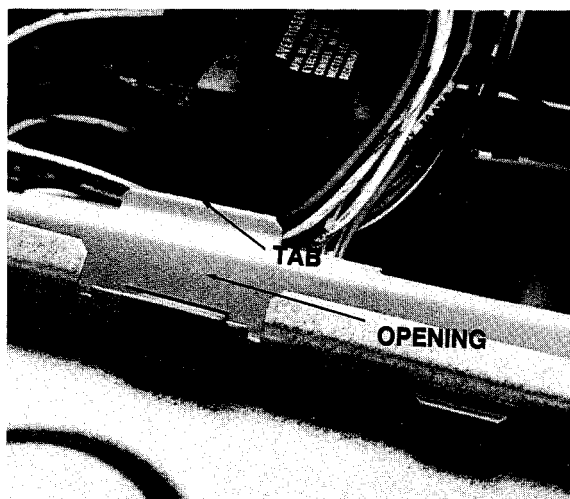
Note: As a general rule, appliance should always be disconnected from power source before servicing appliance or replacing component parts.

1. Disconnect power supply.
2. Remove the 2 inside screws located on the control panel.



3. Tip control panel assembly forward.

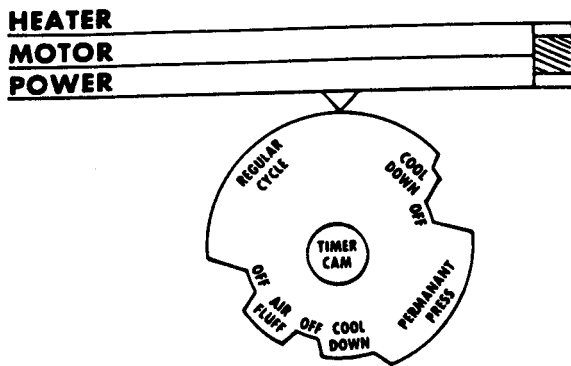
Note: When reinstalling, engage tabs on backup plate in slots of console.



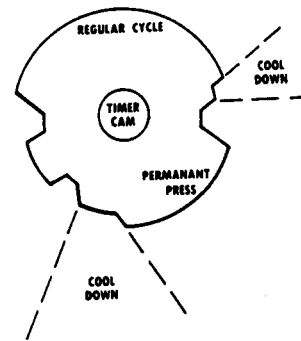
Automatic, Electronic Control Operation

These models utilize an electrical timer which the user sets to the dryness level recommended in the operating instructions or as experience indicates necessary.

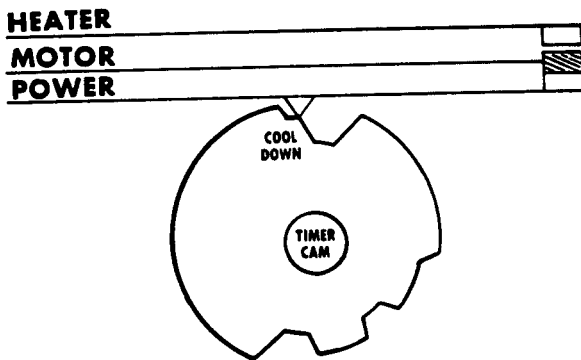
The timer knob and dial are attached to the timer shaft. At the other end of the shaft is a cam which controls both the heating and the motor circuits.



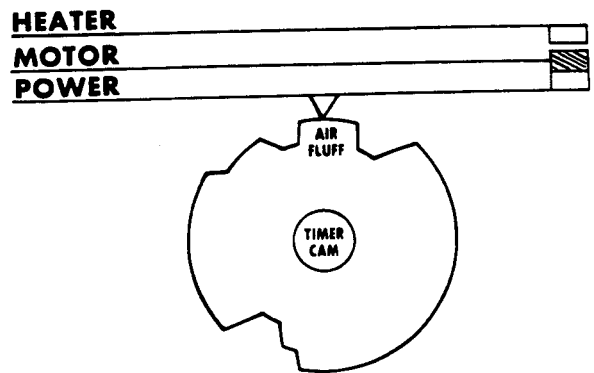
As the timer advances to the off position, the switch arm drops into step one. This breaks the circuit to the heater. Since the circuit is still made to the drive motor, the tumbler will continue to rotate and the air will continue to be pulled through the tumbler cooling the load before the dryer shuts off.



When an air fluff selection is made, only the circuit to the drive motor and timer motor is made.



The length of the cool-down period depends upon the cycle selection. Permanent Press has an extended cool-down to lower the temperature of the garments so as to minimize wrinkling which would result from the warm garments coming to rest at the bottom of the tumbler.

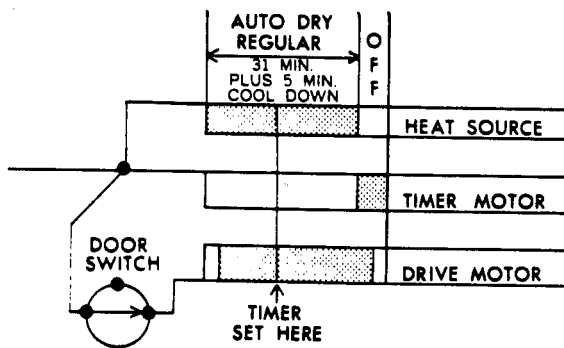


Auto Dry Models

The auto dry models operate on the principle that as long as the load being dried is damp, and rapid evaporation is taking place, the temperature of the dryer and exhaust air will remain relatively low. It also follows that as the load gives up moisture and the rate of evaporation slows down, less BTU's or heat is used in evaporation and the temperature of the load and exhaust air increases. With this in mind, let's look at the circuitry.

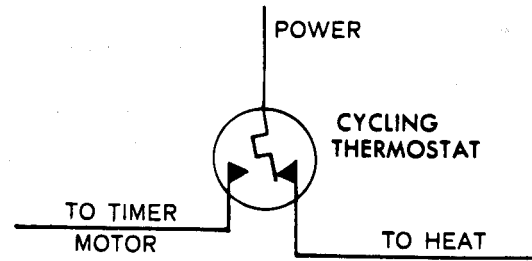
When the timer is set to a degree of dryness, the circuit is completed to the heat source and the drive motor. To see how the control works, let's assume that the load to be dried is a normal load with the garments of somewhat uniform weight, the auto regular setting is selected and the dial set on the middle mark between "more dry" and "less dry".

As indicated in the timer schematic below, the drying time on an auto-dry regular setting is approximately 31 minutes plus a five minute cool-down. Since we set the dial to the middle mark we have set the timer at about the midpoint or for approximately 15 minutes of auto dry.



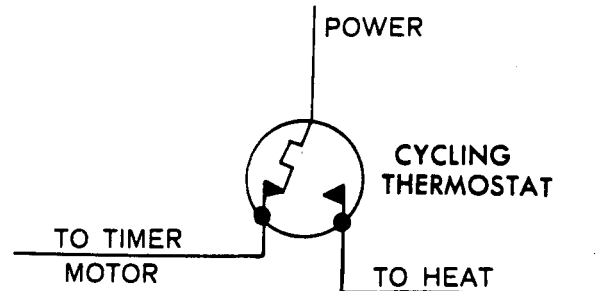
With the timer set in this position, the circuits are completed to the heat source and drive motor.

Note: The switch controlling the timer motor is open.



WITH CYCLING THERMOSTAT CALLING FOR HEAT (NORMAL)

At the beginning of the cycle the load is damp, the heat input is used up in evaporation of the moisture and there is little increase in the air temperature. As the load becomes drier, less heat is used up in evaporation and the temperature of the load and exhaust air starts to rise. The exhaust air is being pushed over the regulating thermostat and as the temperature of the exhaust air rises so does that of the thermostat. Once the thermostat reaches a temperature of approximately 140° F. the circuit is broken to the heat source and at the same time is completed to the timer motor.



CYCLING THERMOSTAT HAS REACHED TEMPERATURE (OPEN)

At this point the unheated air is cooling the load and the timer motor is

advancing the timer towards the off position.

As the temperature of the tumbler, the items being dried and the exhaust air decrease, so does the temperature of the thermostat. When the thermostat cools to a temperature of approximately 125° F. the thermostat returns to its normal position breaking the circuit to the timer motor and again completing the circuit to the heating element or gas valve.

Note: The temperatures quoted are the operating temperatures of the thermostat and not the temperature of the clothing or exhaust air. Because of its mass, the thermostat will heat up and cool down slower than the air temperature.

Because of the moisture content and the evaporation rate, the first temperature rise and cycling of the thermostat will take a relatively long period of time. By the same token, the moisture content and the evaporation rate taking place during the first heat off period makes it shorter than subsequent heat off periods.

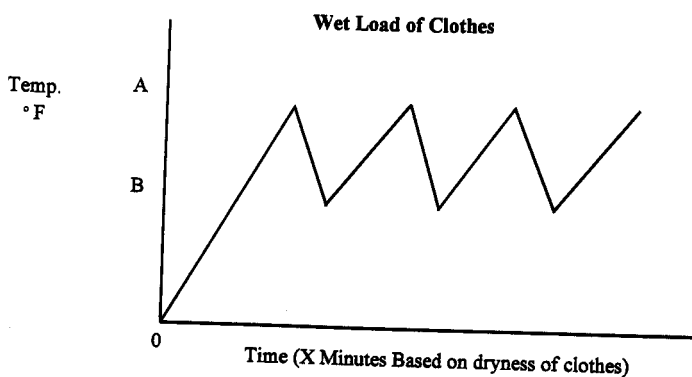
Each time the thermostat cycles the heat period is shorter and the heat off (timer motor on) time is longer.

In this example, after a total of approximately 13 minutes of heat off time the timer will have advanced to the point where Cam 2 closes the timer motor switch which in turn advances the timer out of the heat portion of the cycle and into the cool-down period.

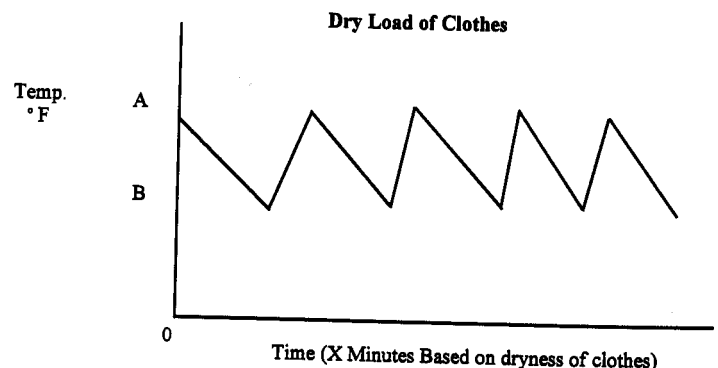
A selection of the middle mark is a good starting point. Experience gained from drying a few loads will enable the operator to pick a point, either more or less dry, which is most pleasing. Once this point is determined, it can be used for most loads as the automatic control, based upon time and temperature, will automatically adjust itself to the size of load.

If the operator is drying a poorly mixed load; bulky items such as cotton socks along with lightweight flat items it would be desirable to move the dial to the "more dry" so that more time is available to condition the load or to allow the moisture to surface on the bulky items. This is not necessary on a more uniform load of either bulky or lightweight items.

AUTO-DRYER OPERATION

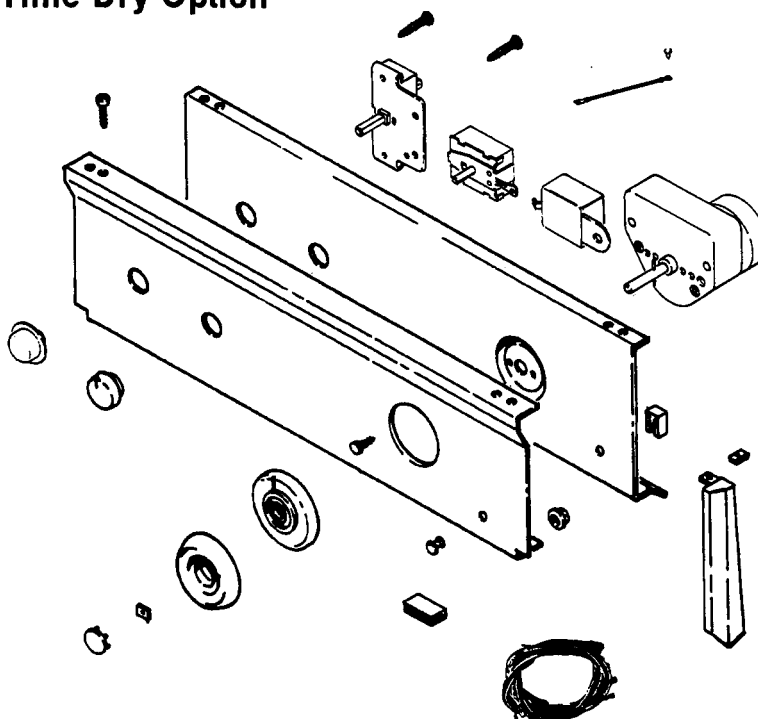


A = HEAT OFF / TIMER ON B = TIMER OFF / HEAT ON



A = HEAT OFF / TIMER ON B = TIMER OFF / HEAT ON

Automatic Control W/Time Dry Option



Features may vary depending on model.

TIMER

A timer is a motor driven package of switches that establishes a sequence of operation.

To Replace Timer:

1. See Access to Control Components.
2. Pry out cap.
3. Remove nut and dial.
4. Remove timer screws.

TIMER MOTOR

1. See Access to Control Components.
2. Remove two screws securing motor to timer.

Note: It may be necessary to remove timer.

TEMPERATURE SWITCH

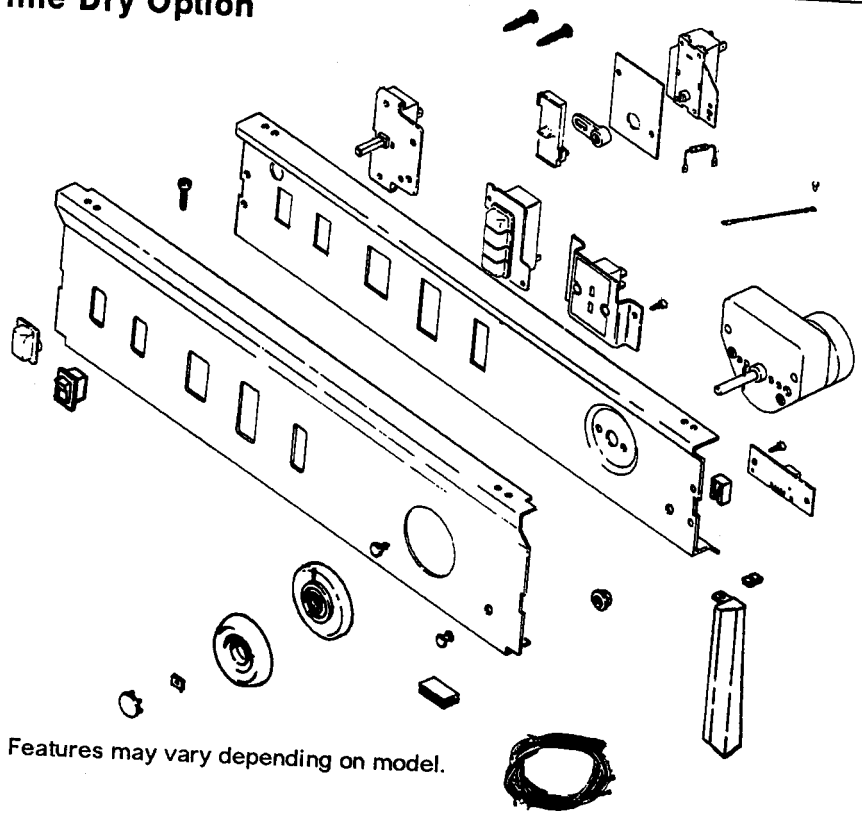
A switch that allows selection of temperatures.

1. See Access to Control Components.
2. Remove switch from back-up plate.

CONTROL PANEL

1. Remove timer dial.
2. See Access to Control Components.
3. Remove end caps.
4. Insert a flat bladed screwdriver between the top portion of the control panel and back-up plate and gently pry the two apart.
5. Disengage notches of control panel from slots in bottom of back-up plate.

Electronic Control W/Time Dry Option



BUZZER

Many model dryers incorporate a buzzer which signals the end of the cycle on all dry selections. The buzzer is wired in parallel with the timer contacts for the drive motor.

1. See Access to Control Components.
2. Remove buzzer.
3. On some models note the shaft of buzzer and corresponding slot in pivot arm of slide lever.

BUZZER ADJUSTMENT

1. See Access to Control Components.
2. Turn screw clockwise to increase volume and counterclockwise to decrease.

ADJUSTABLE SLIDE LEVER

The lever of the end of cycle signal can be adjusted by the customer. The signal control lever is raised to increase and lowered to reduce or eliminate the buzzer tone.

1. See Access to Control Components.
2. Remove buzzer.
3. Remove slide lever with pivot arm. Note position of pivot arm, slide lever and retaining plate for future mounting procedures.

PUSH TO START & DOOR SWITCH

With the dryer operating, opening the door shall cause the drum to stop rotating, the heater to be de-energized or the main burner gas flow to stop. Then, closing the door shall not energize motor.

1. See Access to Control Components.

2. Remove screws holding switch and bracket.
3. Squeeze expanded end of switch together and remove switch.

AUTO-DRY SWITCH

1. See Access to Control Components.
2. Remove switch.

DRYNESS MONITOR

This feature allows adjustment to dryness control.

1. See Access to Control Components.
2. Remove switch.

TEMPERATURE SWITCH

May consist of a knob or push button type switch, depending on model.

1. See Access to Control Components.
2. Remove switch.

PRESS CARE SWITCH

1. See Access to Control Components.
2. Remove switch.

ELECTRONIC CONTROL & RELATED PARTS OPERATION

As with all Maytag Electronic Control dryers, the purpose of the electronic control is to shut the dryer off when a certain dryness level is achieved in the clothes. The customer can choose different dryness levels in either the Regular or Permanent Press cycles. The new Dependable Care electronic control dryers added two dryness monitor indicator lights on the control panel. The top light will flash on and off as the wet clothes strike the sensor bars inside the drum. As the clothes lose their moisture, longer pauses will be seen between each flash of the

upper light. The bottom monitor light remains lit during the electronic control dry cycle until the timer advances into the cool-down portion of the cycle.

When Testing the operation of the dryness display, normal operation is defined as:

1. With the timer set to an electronic dry setting and the sensor bars shunted, both segments of the display should be lit.
2. With the timer set to an electronic dry setting without shunting the sensor bars, only the bottom segment of the display should be lit.
3. When the timer is set to time dry, air fluff, or the cool-down portion of electronic dry, either segment of the display should be lit.

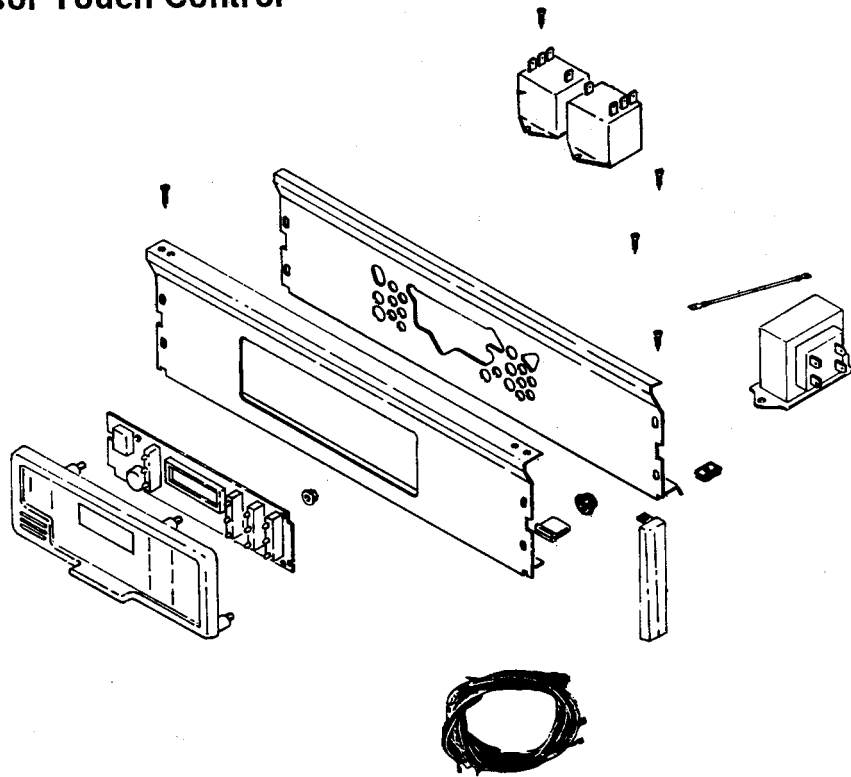
To remove the Electronic Control assembly components:

1. Disconnect the power supply.
2. Remove the two inside screws on the control panel and tilt panel forward.
3. To remove the electronic control board (printed circuit board).
 - a. Grasp the board on both sides with thumb and fingers.
 - b. Pull straight back while twisting the board back and forth in a side-ways motion. Note which side of the board is facing up.
4. To remove relay:
 - a. Disconnect the wires going to the relay.
 - b. Remove the two screws securing the relay to the bracket.
5. To remove the edgeboard connector assembly:

a. Remove the two screws securing the assembly to the back-up plate.

b. Disconnect the remaining wires to remove assembly.

Microprocessor Touch Control



Features may vary depending on model.

The microprocessor board receives input information from the various components involved with the operation of the dryer; such as the dryness sensor and the thermistor. It uses this information to determine the necessary control for the completion of the cycle.

To remove microprocessor board:

1. Disconnect power supply.
2. Remove the two inside screws on control panel and tilt panel forward.
3. Disconnect the three edgeboard connectors from the microprocessor board.

4. Remove the eight nuts securing the microprocessor board to the mounting panel.

To remove mounting panel assembly:

1. Remove the four nuts securing the mounting panel to the back-up plate.

To remove transformer:

1. Disconnect power supply.
2. Remove the two inside screws on the control panel and tilt panel forward.
3. Disconnect the wires going to the transformer.

4. Remove the two screws securing the transformer to the dryer top cover.

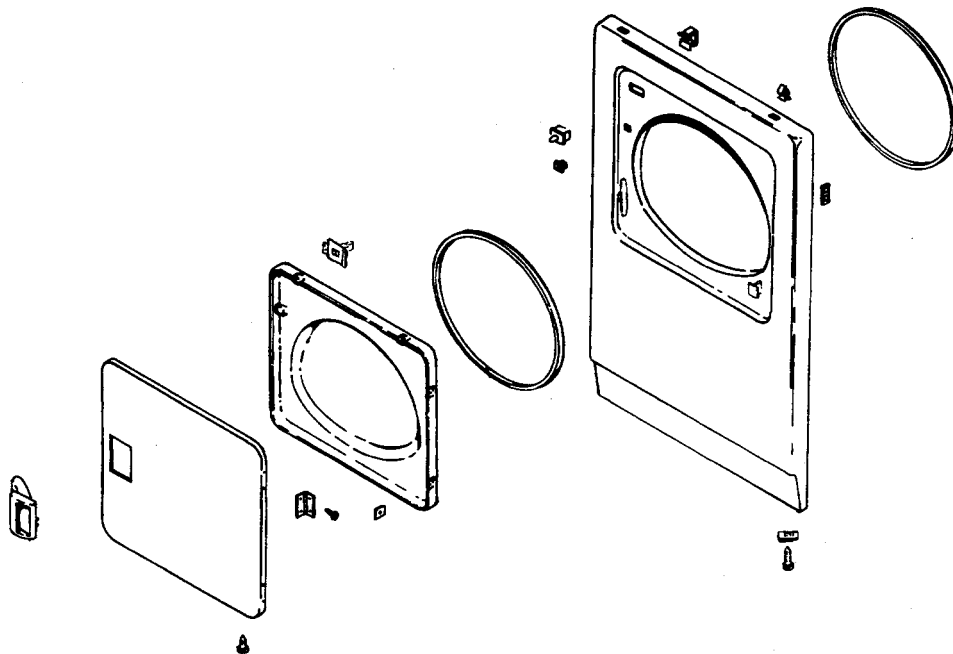
To remove motor relay:

1. Disconnect power supply.
2. Remove the two inside screws on the control panel and tilt panel forward.
3. Disconnect the wires going to the relay.
4. Remove the two screws securing the relay to the dryer top cover.

To remove heater relay (Electronic Dryer Only):

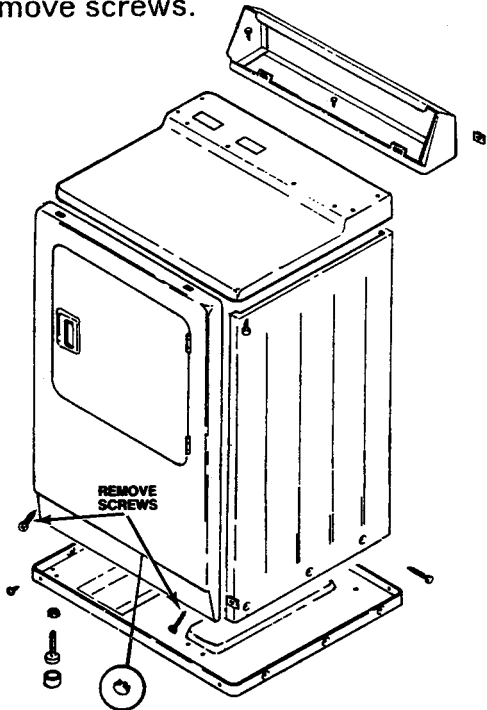
1. Disconnect power supply.
2. Remove the two inside screws on the control panel and tilt panel forward.
3. Disconnect the wires going to the relay.
4. Remove the two screws securing the relay to the dryer top cover.

FRONT PANEL AND COMPONENTS

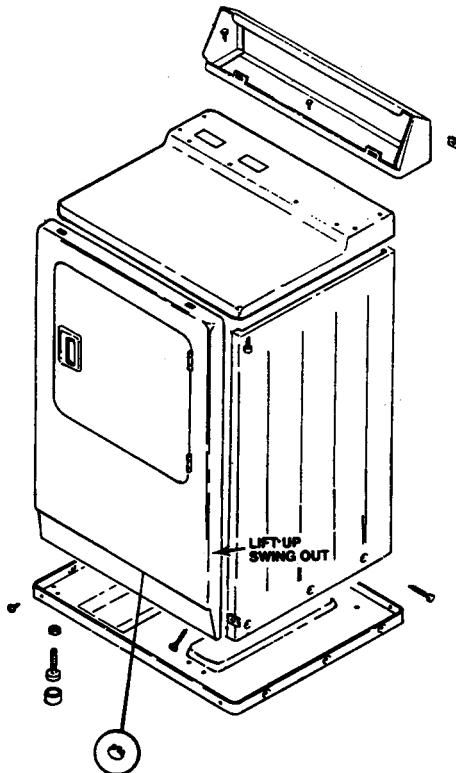


Front Panel Removal

1. Disconnect power supply.
2. Remove screws.



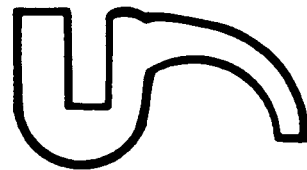
3. Lift up on front panel and swing bottom of panel away from dryer to disengage top of panel from dryer top.



4. Front panel may be set off to one side or if necessary, the door switch wires may be disconnected and the front panel removed completely from the unit.

Door Seal

1. Open door
2. Grasp one end and pull gasket from door.
3. When installing the door gasket, the thicker end fits behind the tabs on the door.



4. Install one end of the gasket at the bottom of the door and work the gasket behind each tab.

Note: It may be necessary to cut 1/2" from one end of the replacement gasket.

Door Removal

1. Open door.
2. Support door and remove four screws (two from upper hinge and two from lower hinge) which hold the door.

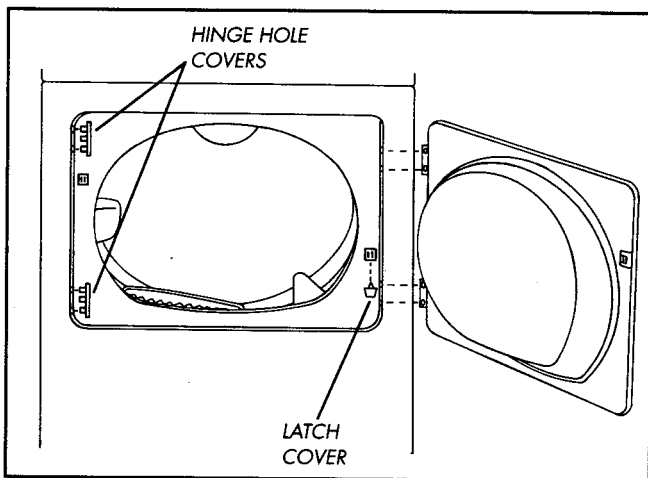
Note: Leave hinges attached to front frame.



3. Remove door.

Reversing The Door

The dryer door is designed with flexibility in mind. It can be mounted on the dryer front so as to open from left to right, or reversed and open from right to left. This provides flexibility for the dryer located in a cramped area or for the person preferring a different door swing.



To Remove:

1. Remove hinge hole covers and cover from latch.
2. Rest door on knee for support.
3. Remove 4 screws in hinges.
4. Turn door upside down and support on knee.
5. Insert screw in the small round hole first and start by hand.
6. Tighten screw to position door.
7. Insert top screw of other hinge and tighten.
8. Insert and tighten remaining screws.
9. Replace hinge hole covers and door latch cover in opposite side.

To Disassemble Door

1. Remove door hinge screws from door.
2. Remove screws on edge of door opposite hinges and screws from bottom of door.
3. Disengage clip and strike from panel and separate door halves.

Door Strike

1. Remove screws on right edge of door panel.
2. Disengage clip and strike from panel.

Door Hinges

1. Remove door from dryer.
2. Remove front panel because each door hinge is backed up by a retaining clip which will fall from place when the hinge is removed.
3. Remove two screws holding each hinge to the front panel.

- Remove two screws holding hinges to door panel.

Door Handle

- Open door.
- Remove screws located on outside edge of dryer door panel.
- Squeeze tabs on inside door handle to release. Replace by pressing into place until tabs are secured.
- Reassemble in reverse order.

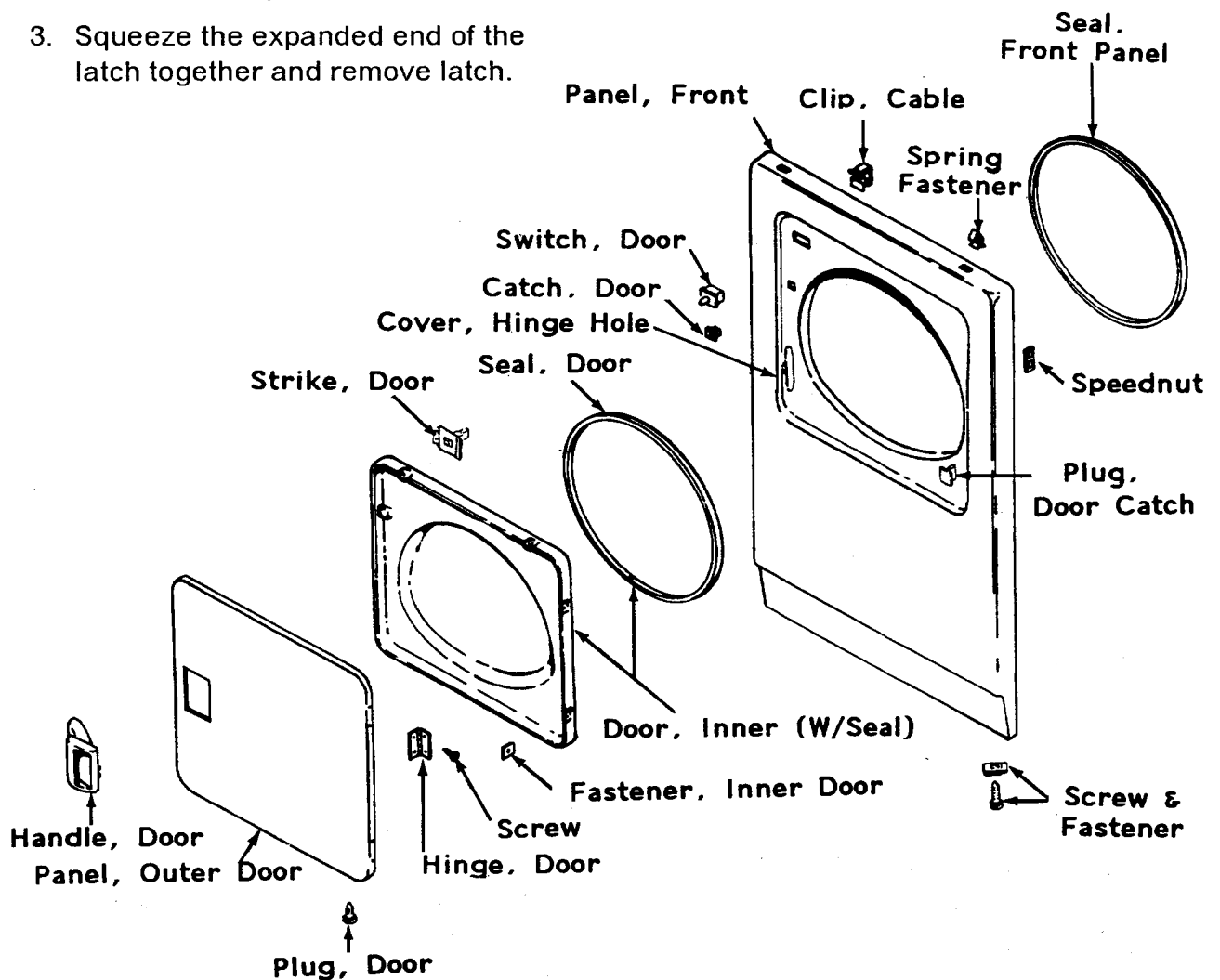
Door Switch

- Disconnect power supply.
- Remove front panel.
- Squeeze the expanded end of the latch together and remove latch.

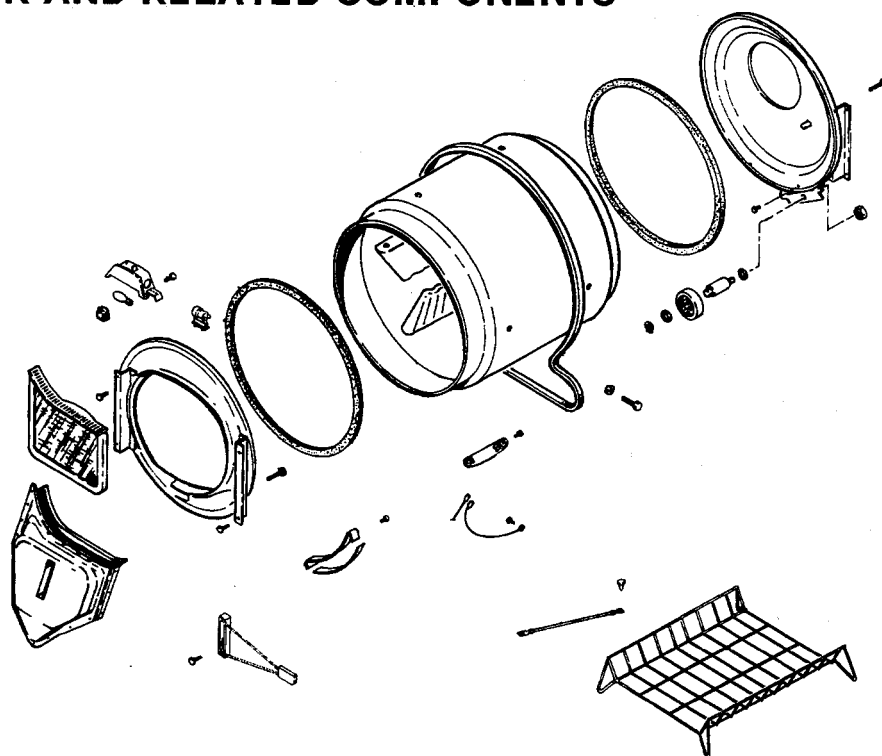
Front Panel Seal

To maintain the proper air flow pattern and therefore the desired drying results, the seal which fits around the door opening in the inner front panel must be in place and in good shape.

- Disconnect power supply.
- Remove front panel.
- Remove old seal.
- Install replacement seal by rolling seal over the front panel lip.



TUMBLER AND RELATED COMPONENTS



Interior Light (120V - 7 Watt)

The drum light is at the upper center of the tumbler opening. It is wired in series with the door switch so that the light comes on, illuminating the drum, only when the door is open.

Light Replacement

1. Disconnect power supply.
2. Open door.
3. Unscrew bulb.

Light Receptacle

1. Disconnect power supply.
2. Remove screws from Front Panel and swing panel aside.
3. Remove wires.

4. Remove nut from left hand mounting tab.
5. Pull up on receptacle to disengage from tumbler front.

Dryness Sensor

To remove the dryness sensor:

1. Disconnect power supply.
2. Remove the front panel.
3. Remove the two screws securing the dryness sensor to the bulkhead.
4. Remove wires going to the dryness sensor.

To check the dryness sensor:

CAUTION

Always disconnect power supply before making continuity or resistance checks.

1. Disconnect power supply.
2. Remove the two screws securing the dryness sensor to the bulkhead.
3. Remove both wires going to the sensor bars.
4. Check for continuity across the sensors. Attach meter across the terminal on each sensor. If you have continuity, replace dryness sensor.
5. Check for circuit to ground from either sensor bar. Replace both wire connectors on the spade terminals. Place one meter lead on the sensor bar inside the drum and place the other meter lead on cabinet ground. If you have continuity, check to make sure the wire connectors are not making contact with the front bulkhead. The insulated wire connector going to the terminal closest to the bulkhead.

Tumbler Front

The tumbler front holds the front of the tumbler in the correct position and provides the bearing surfaces for the tumbler to ride on.

1. Disconnect power supply.
2. Remove front panel.
3. Remove four screws holding tumbler front to cabinet.
4. Remove screw holding ground wire to cabinet.
5. Disconnect wires from retainer.
6. Pull tumbler front out and away from tumbler.

Note: Two tabs on each side of the tumbler front fit into notches in the front of the cabinet. These must be disengaged to remove tumbler front.

Lint Filter Switch (9904 Models)

The lint filter switch produces a "Check Filter" warning in the dryer's display if the lint filter is not removed and replaced after the dryer goes into cool-down at the end of a cycle or at the end of Air Fluff. Leaving the filter out will also activate the warning. The switch is a reed switch mounted on the outlet duct assembly and connected to the microprocessor board through edgeboard connector CC (refer to schematic). Its contacts are closed by a magnet that is staked to one side of the lint filter. The contacts are closed by a magnet that is staked to one side of the lint filter. The contacts are closed when the lint filter is inserted into place in the outlet duct assembly. When the lint filter is removed the contacts will open.

Note: The switch does not prevent the dryer from operating, its function is to produce a warning to make operator aware of the necessity for cleaning the lint filter.

To remove lint filter switch:

1. Disconnect power supply.
2. Remove the front panel.
3. Separate the plastic wire connector by pulling apart.
4. Remove the two screws that secure the switch to the outlet duct assembly.

To check the lint filter switch:

CAUTION

Always disconnect power supply before making continuity or resistance checks.

1. Separate plastic connector by pulling apart.
2. Check for continuity. Attach meter across wire BR and BR on switch side of plastic connector. Remove and replace lint filter to check for opening and closing of the switch's contacts.

Voltage check for lint filter switch:

CAUTION

Always disconnect power supply before making continuity or resistance checks.

1. Separate connector by pulling apart
2. Attach meter leads to the wire connectors on the wire harness side of the connector, BR to BR.
3. 24 VDC should be seen across the wire connectors. Voltage value may vary slightly.

Complete Outlet Duct

The outer half of the outlet duct is held to the front of the tumbler front.

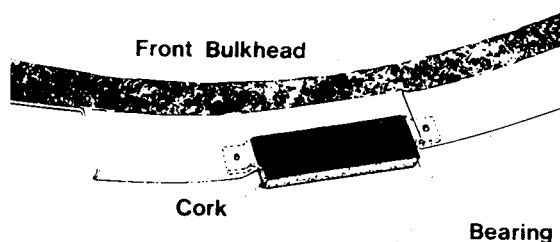
1. Disconnect power supply.
2. Remove front panel.

3. Remove screws from inside tumbler front and one on the support bracket.
4. Remove front bulkhead.
5. Remove outlet duct.

Tumbler Front Bearing and Pads

At the bottom inside of the tumbler front are two poly-teflon bearings which rest on cork pads. These bearings are to provide a surface for the front of the tumbler to ride on. If it is necessary to replace a front bearing, remove the tumbler front, drill out old rivets and rivet new bearings on. In positioning the bearing and pad, the projections on both should face the tumbler. This allows the bearing to stick out beyond the metal of the tumbler front.

Note: Two tabs on each side of the tumbler front fit into notches in



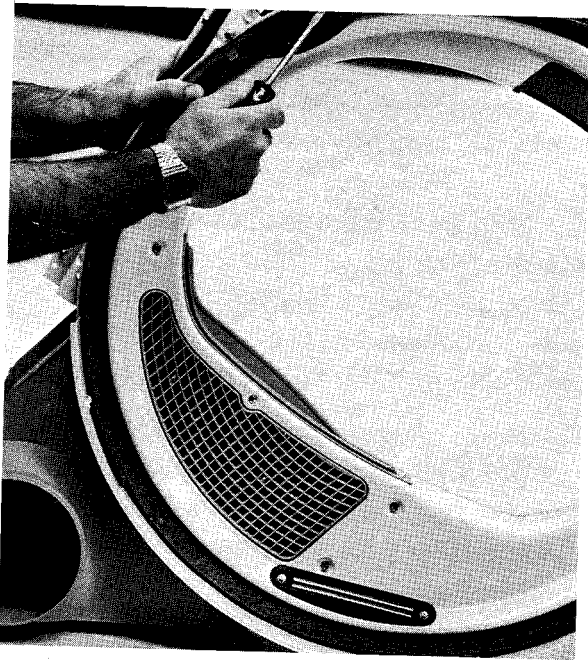
the front of the cabinet. These must be disengaged to remove tumbler.

Tumbler Front Seal

The seal fits around the back circumference of the tumbler front. It is a natural felt seal which is doubled over for self-adjusting tension. The surface which comes in contact with the revolving tumbler, is coated with a layer of Teflon to provide a slick durable wear surface.

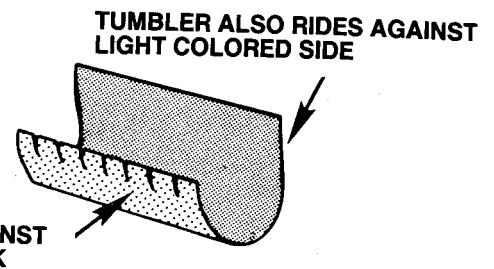
The seal is held in position by formed locking tabs.

1. Disconnect power supply.
2. Remove tumbler front.
3. Remove the old seal by prying the locking tabs out with a regular screwdriver.



The Teflon coated side (which is the lighter of the two colors) goes against the tumbler. The seal is then looped in a "U" shape so the slot edge of the lighter colored side is to the tumbler front. Rubber adhesive is used to hold the seal.

Bend tabs back over seal with a pair of pliers.

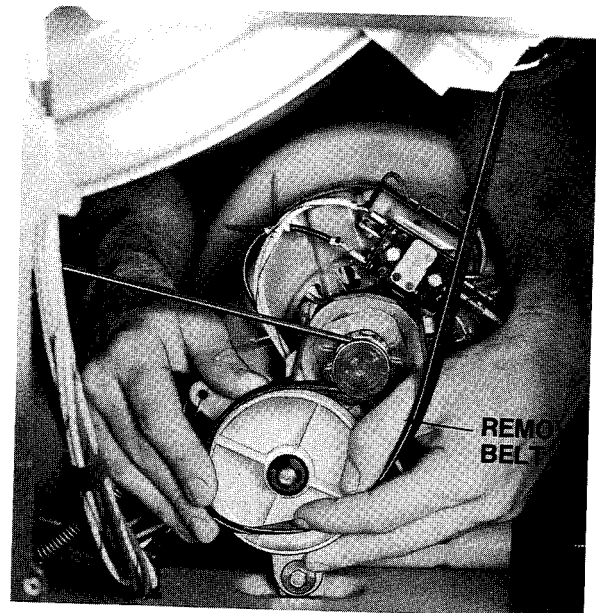


Tumbler and Belt

The tumbler is a round cylinder with no permanently attached front or back. Tumbler speed is 47 RPM. It is designed so there is no front or back. Installation can be made without regard to which way it came out of a dryer.

To Remove Tumbler and Drive Belt:

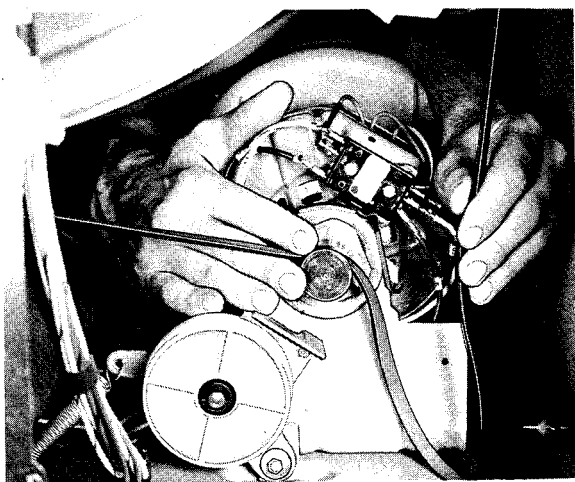
1. Disconnect power supply.
2. Remove front panel.
3. Remove tumbler front.
4. Reach under tumbler and remove drive belt from motor and idler pulleys.



5. Slip belt off tumbler.
6. Pull tumbler out of cabinet.

Installing Drive Belt

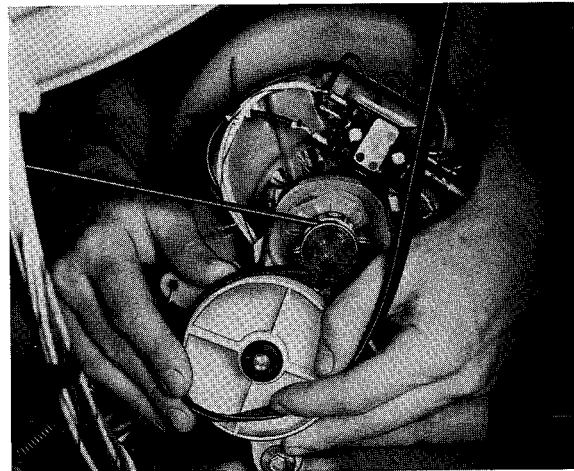
1. Disconnect power supply.
2. Install tumbler.
3. Place belt over the top of the dryer tumbler with the smooth side against the tumbler and position it about 1 1/2" in front of the back screws which hold the clothes lifters. In order to get the belt between the bottom of the tumbler and the blower, it will be necessary to lift up on the tumbler.
4. The best position to take while installing the belt is to sit on the floor facing and as close to the dryer as possible. Place your left arm along the left side of the tumbler and your right arm along the bottom of the tumbler (as close to the blower as possible).



5. With the right hand, loop the belt over the top of the motor pulley

making certain the grooves of the belt are against the pulley and that the belt is properly seated into the pulley.

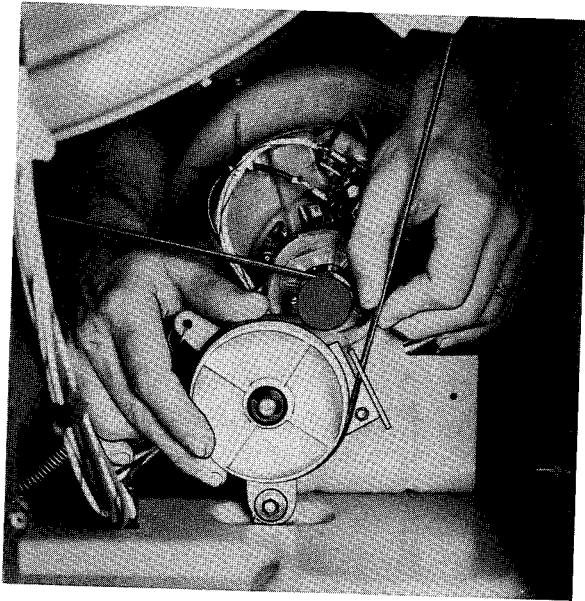
6. With the left hand, loop the belt under the motor pulley.



7. With the right hand, position the belt over the top of the idler pulley and begin to work it around the circumference of the idler pulley while pushing the pulley up and to the left.

Note: It is neither necessary nor advantageous to push extremely hard on the pulley. This tends to put the idler pulley and motor pulley in a bind and also puts a strain on the installer so he cannot work efficiently with his hands to complete the belt installation.

8. Once the belt is almost around the entire circumference of the idler pulley, use the left hand to push the belt over the bottom of the idler pulley while at the same time making certain that the belt is between the idler pulley and the belt guide.



9. With the belt completely installed, feel with both hands to see that it is properly positioned in the motor pulley and in the approximate middle of the idler pulley. When you have determined by feeling that it is installed correctly, lift up and push back while slowly turning the tumbler one or two revolutions in a clockwise direction to allow the belt to properly align itself.

Clothes Lifter

There are three tumbler clothes lifters used to aid in tumbling the clothes. Two of the lifters are 1" higher than the other. Location makes no difference.

1. Disconnect power supply.
2. Remove front panel.
3. Remove two screws holding each lifter to the tumbler.

For ease in replacing a clothes lifter you will find a locating tab on the underside of the lifter. Pilot holes are

also found in the tumbler. When the clothes lifter is installed, the tab is inserted into the slot in the tumbler. This correctly aligns the screw holes in the lifter with those in the tumbler.

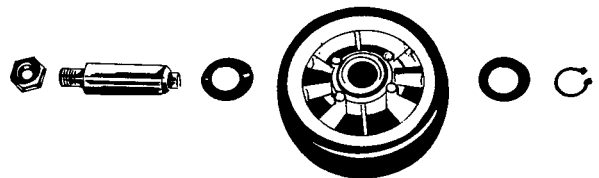
Roller and Bearing Assembly

The tumbler roller consists of a rubber tire bonded to a plastic hub.

There are two roller and bearing assemblies attached to the tumbler rear. Normally the rollers will run slightly behind the drum radius. If the rollers are riding up on the tumbler radius, check for bent rear roller brackets. If a bracket is bent, replace tumbler rear.

1. Disconnect power supply.
2. Remove front panel.
3. Remove tumbler front.
4. Remove tumbler.
5. Remove retaining ring from groove in shaft.
6. Remove fiber washer.
7. Remove roller.
8. To remove roller shaft remove nut on back.

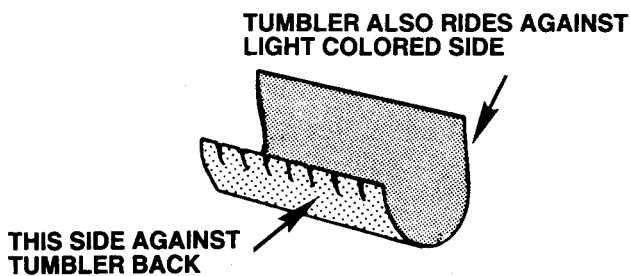
Note: There is a spacer washer behind the roller. When replacing parts be certain the order of the replacement is correct.



Tumbler Rear Felt Seal

The seal fits around the front circumference of the tumbler rear. It is a natural felt seal which is doubled over for self-adjusting tension. The surface which comes in contact with revolving tumbler is coated with a layer of Teflon to provide a slick durable wear surface.

1. Disconnect power supply.
2. The felt seal for the rear tumbler can be replaced from the front of the dryer. However, for ease in servicing, we recommend removal of the tumbler rear from the dryer.
3. Remove the old seal by prying the locking tabs out with a regular screwdriver.
4. The Teflon coated side (which is the light of the two colors) goes against the tumbler. The seal is then looped in a "U" shape so the slot edge of the light colored side is cemented to the tumbler back. Rubber adhesive is used to hold the seal.



Tumbler Rear

The tumbler rear is secured to the back panel by four screws. It is finished with an epoxy powder coat which is a very smooth surface, resistant to scratches and abrasion.

The tumbler rear acts as a support for two roller assemblies which support the tumbler and weight of the load.

Removal:

1. Disconnect power supply.
2. Remove front panel
3. Remove tumbler front.
4. Remove tumbler and belt.
5. Remove heat cone.
6. From back of dryer, remove four screws holding tumbler back assembly and remove assembly.

THERMOSTATS

There are three different kinds of thermostats in these dryers.

1. Bi-Metal type
2. Resistance type
3. Thermo Fuse type

All react essentially to temperature with direct effect on heat on or heat off functions of a dryer. For troubleshooting and functional explanations see...Troubleshooting, in Section 4.

To remove those located on blower cover:

1. Disconnect power supply.
2. Remove 2 screws from Front Panel and swing panel out.

3. Remove wires from thermostat.
4. Remove screws securing thermostat to cover.

160° Thermostat - Bi-Metal

The 160° thermostat functions as a back up to the thermistor. It is mounted on the blower cover. The thermistor, in conjunction with the microprocessor board and heater relay, is used to control the cycling of the temperature between 135°F and 155°F. The 160° thermostat is placed in series with the gas valve / heating element and will open the heat circuit in the event the thermistor fails to open the circuit at temperatures above 155°F.

To remove the 160° thermostat:

1. Disconnect power supply.
2. Remove front panel.
3. Remove the thermostat cover mounted to the base (electric dryer only).
4. Disconnect wires from the thermostat.
5. Remove the two screws securing the thermostat to the blower cover.

To check the 160° thermostat:

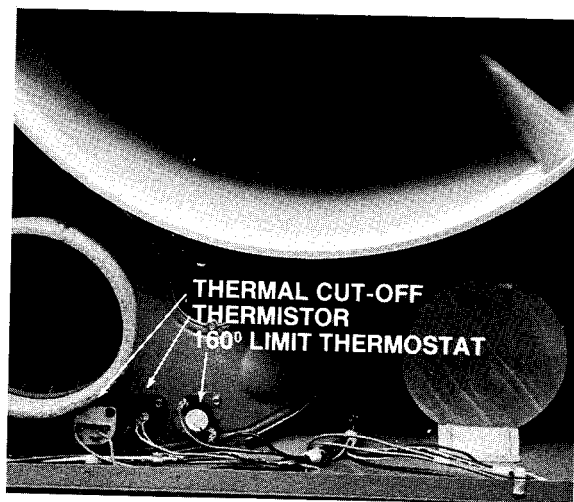
CAUTION

Always disconnect power supply before making continuity or resistance checks.

Check for continuity across thermostat at room temperature. Attach meter across terminals BK and PU. No continuity, replace.

Thermistor (9904 Models) Resistance Type

The thermistor is a semiconductor device (solid state) that has a negative temperature coefficient of resistance; its resistance decreases as its temperature increases and vice versa. The thermistor functions as the "sensing control" for the dryer's heat circuit. No cycling thermostat is used. It is mounted on the blower cover and is connected to the microprocessor board through edgeboard connector CC (refer to schematic). Mounted on the blower cover puts the thermistor in the air flow of the air being exhausted from the drum. The increasing or decreasing temperature of the exhausted air changes the resistance of the thermistor. The microprocessor board uses this input information to control the heat circuit. On the electric dryer the microprocessor board controls the 24 DC voltage to the heater relay, on the gas dryer it controls the L1 side of the power supply through edgeboard connector BB (refer to schematic).



To remove thermistor:

1. Disconnect power supply.
2. Remove front panel.

3. Remove the thermostat cover mounted to the base (electric dryer only).
4. Remove the two wires, PK-BK and PK-BK, from the thermistor.
5. Remove the two screws that attach the thermistor to the blower cover.

Check the thermistor:

1. Remove the two wires on the thermistor, PK-BK and PK-BK.
2. Place ohm meter across these wires and check resistance of the thermistor. At room temperature, 77°F, you should read about 10,000 ohms. At 140°F you should read about 1750 ohms.

Note: Do not check with line voltage (120VAC), the thermistor is part of the low voltage circuitry.

MULTI-TEMPERATURE - Resistance Type

These thermostats have 3 temperature options depending on resistors in the circuit. For example, no resistor (internally in thermostat or at selector switch); cycling temperature will be 150°. Full voltage (through internal resistor thermostat); cycling temperature will be 140°.

If a series circuit is selected using resistor in thermostat and resistor at selector switch, cycling temperature will be 145°.

To replace thermostat:

1. Disconnect power supply.
2. Remove front panel.
3. Remove the thermostat cover mounted to the base (electric dryer only).

4. Disconnect wires from the thermostat.
5. Remove the two screws securing the thermostat to the blower cover.

Thermal Fuses

The function of the thermal fuse is to stop the dryer in the event an over heating condition should occur. The electric dryer has two thermal fuses; one mounted on the blower cover and the other mounted on the right side of the heat cone. The gas dryer has one thermal fuse mounted on the blower cover. The thermal fuses for both dryer models are placed in series with the drive motor. If any of the fuses should open, the drive motor will stop and the circuit though the centrifugal switch for the gas valve / heating element will also open, breaking the heat circuit. The fuses are not resettable and must be replaced after the over heating problem is corrected.

To remove thermal fuse:

1. Disconnect power supply.
2. Remove front panel.
3. Remove thermostat cover mounted to the base (electric dryer only).
4. Disconnect the wire from the fuse.
5. Remove the two screws attaching the fuse to the blower cover.
6. For the fuse mounted on the heat cone (electric dryer only).
 - A. Remove the screw that secures the fuse bracket to the heat cone.
 - B. Remove wires and the two screws that attach the fuse to the bracket.

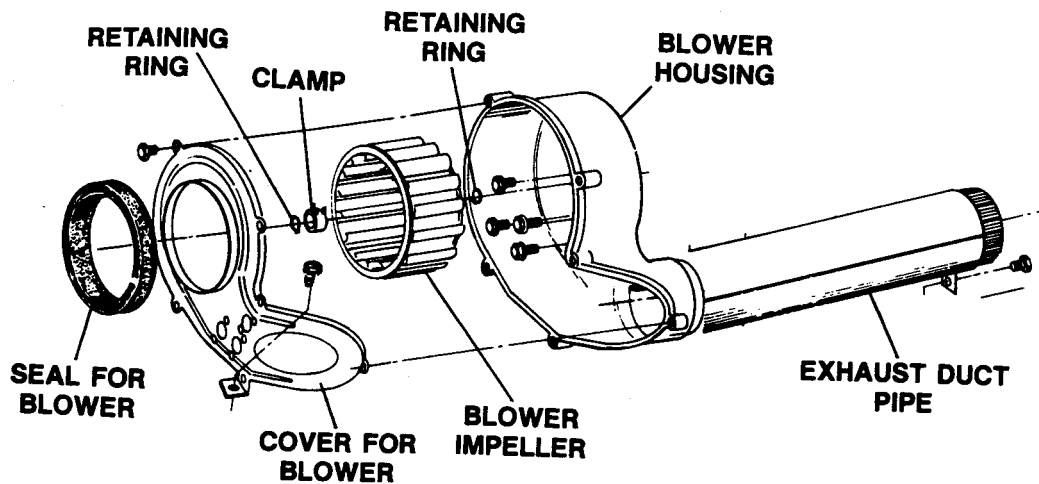
To Check the Thermal Fuse:

CAUTION

Always disconnect power supply before making continuity or resistance checks.

1. Disconnect power supply.
2. Remove front panel.
3. Remove wires from the thermal fuse.
4. Check for continuity. Attach meter across the terminals of the fuse. No continuity, replace fuse.

BLOWER



Seal for Blower

The felt seal for the blower is secured to the lip of the cover for the blower. If a seal is replaced, clean surface and use rubber adhesive to hold seal.

Cover for Blower

1. Disconnect power supply.
2. Remove front panel.
3. Remove tumbler front.
4. Remove six screws holding cover to blower housing.
5. Remove screw holding cover to base.
6. It is not necessary to remove wires from thermostats to gain access to blower. Simply lay blower cover forward.

Blower Impeller

The blower impeller is attached directly to the motor shaft and behind the blower cover.

1. Remove blower cover.
2. Remove clip retaining ring.
3. Compress and remove clamp around hub of impeller.
4. Work impeller back and forth while pulling off shaft.

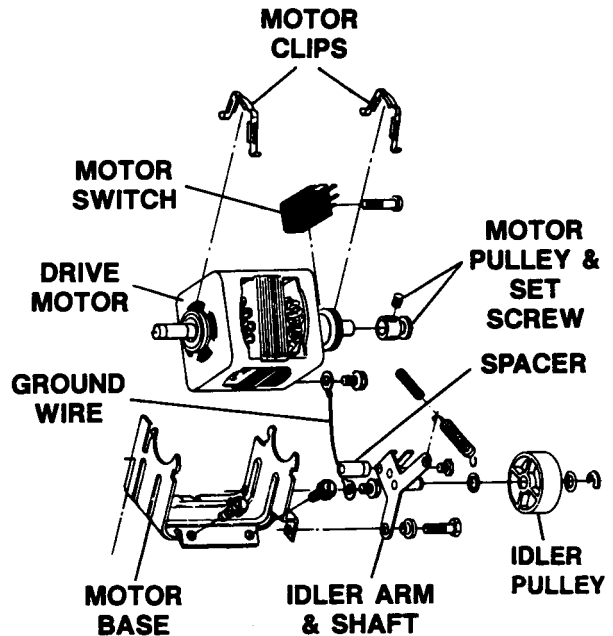
Blower Housing

1. Remove blower impeller.
2. Remove clip retaining ring located behind blower impeller.
3. Remove four screws holding blower housing to motor mounting bracket.
4. Remove blower housing.
5. When replacing blower housing be certain the clip retaining ring is properly replaced into the groove in the motor shaft.

Exhaust Duct Pipe

One end of the exhaust duct pipe is held to the back of the cabinet by one screw. It fits over the blower housing on the opposite end.

DRIVE MOTOR AND IDLER ASSEMBLY



Motor Switch

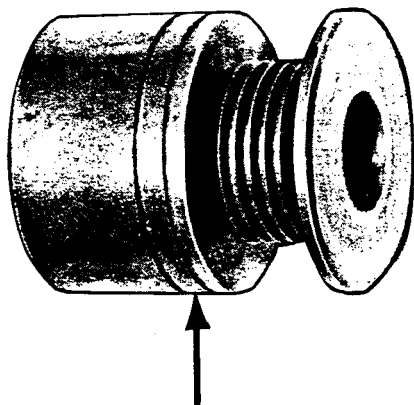
A switching device in a motor used to change the path of electricity from both start and run windings to run winding only. It also completes the circuit to the heat source when motor reaches speed.

The external motor switch is secured to the motor with two screws.

1. Disconnect power supply.
2. Remove front panel.
3. Remove tumbler front.
4. Remove tumbler.
5. Remove two screws holding switch to drive motor.

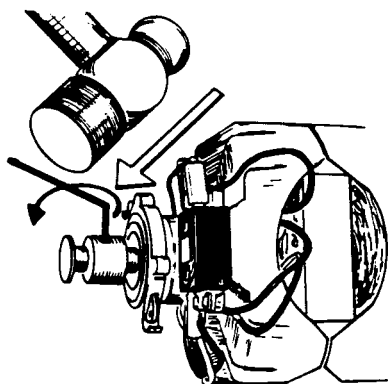
Motor Pulley

Shown is the 2-groove, 60 Hz, 47 rpm pulley. This identifies the pulley for 60 Hz. operation. 50 Hz. has 3 grooves.



NOTE GROOVES

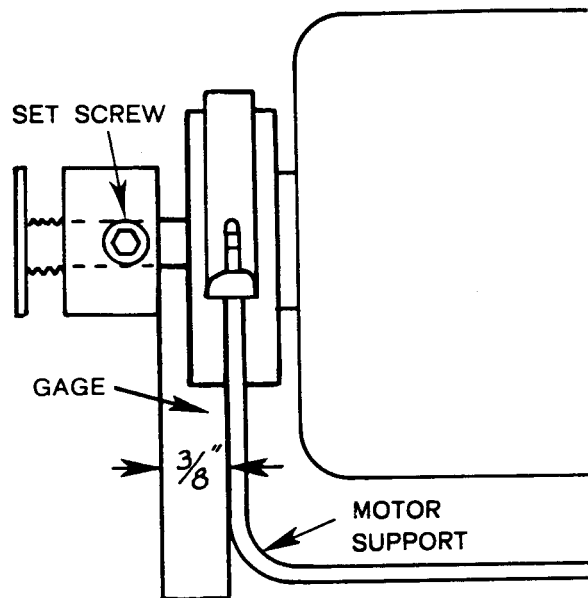
1. Disconnect power supply.
2. Remove front panel.
3. Remove tumbler front.
4. Remove tumbler.
5. Place hexhead wrench in set screw.
6. Using a hammer or rubber mallet, strike the end of the hexhead wrench, as shown.



Motor Pulley Adjustment

Positioning of the pulley on the motor shaft is important for proper alignment with the idler assembly. The distance from the back of the motor pulley to the face of the motor support must be $3/8$ ". A metal gage is available which can be used to properly position the pulley.

To use the gage, simply place the thicker part against the motor support and the thinner end between the pulley and the mounting ring. With the proper $3/8$ " dimension established, tighten the pulley set screw.



When replacing the motor pulley make sure the set screw aligns with the flat side of the motor shaft. Tighten set screw securely.

Drive Motor and Base

1. Disconnect power supply.
2. Remove front panel.
3. Remove tumbler front.
4. Remove tumbler.
5. Remove two screws securing motor base to base frame.
6. Remove wires from motor and unhook idler spring.
7. Slide motor base tab from base frame.
8. Remove motor and blower assembly from cabinet.

- Remove blower component from motor.

Note: When installing motor, be sure to slide motor base tab into slot in base frame.

- Using pliers or screwdriver, roll the clips off of the motor mounts.
- Remove motor from motor base.

support where it is contacted by the spacer for the idler.



Idler Assembly

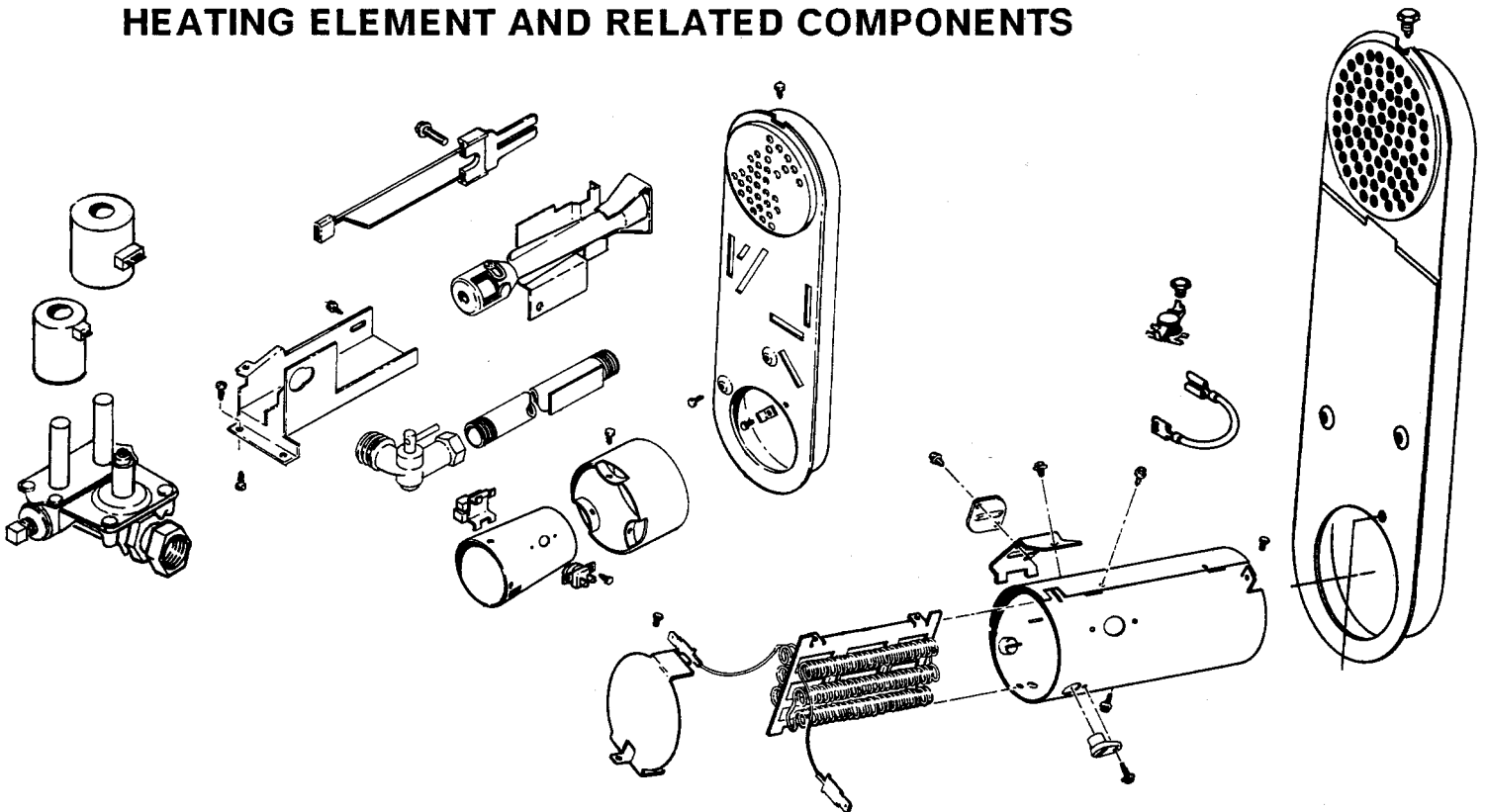
- Disconnect power supply.
- Remove front panel.
- Remove tumbler front.
- Remove tumbler.
- Remove spring and screw holding assembly.

Note: When replacing the idler assembly apply a light coating of Maytag center seal grease to the motor

Idler Pulley

- Pry clip from groove in shaft with a small screwdriver.
- A fiber washer is located on both sides of the pulley. Be certain these are replaced when you reassembly these parts.

HEATING ELEMENT AND RELATED COMPONENTS



Heat Cone

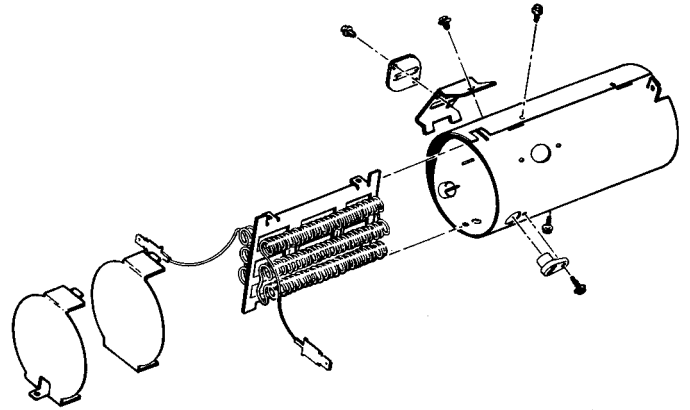
1. Disconnect unit from power source before servicing.
2. Remove front access panel.
3. Remove screws holding heater cone shield to base. Remove shield from dryer.
4. Remove screw in front of cone holding cone to base and remove screw in back of cone holding cone tab to inlet air duct.
5. Remove wires to terminal posts.
6. Pull heat cone assembly out of dryer.

Heating Element

The heating element assembly on electric dryers is equipped with a heating element designed to draw approximately 5300 watts when operated on 240 volts. The coil diameter is larger than previous models and the element is divided into six segments on each side of a support plate. The new design exposes the element to more airflow. This results in a lower maximum coil temperature, while providing the same wattage (heat output).

Note: *The old style heater and new style parts are not interchangeable.*

The new heater will be provided as a complete assembly consisting of insulators, mounting bracket and heater cone all assembled.



Be sure element does not touch insulators. Also, make sure the electrical connections are tight.

Hi-Limit Thermostat

The hi-limit thermostat in an electric dryer is located near the heat source. This thermostat is located close to the heating element and in the event of an overheating condition, will cycle the heat off quickly. If a dryer is found to be cycling on the hi-limit thermostat, check for an air flow restriction.

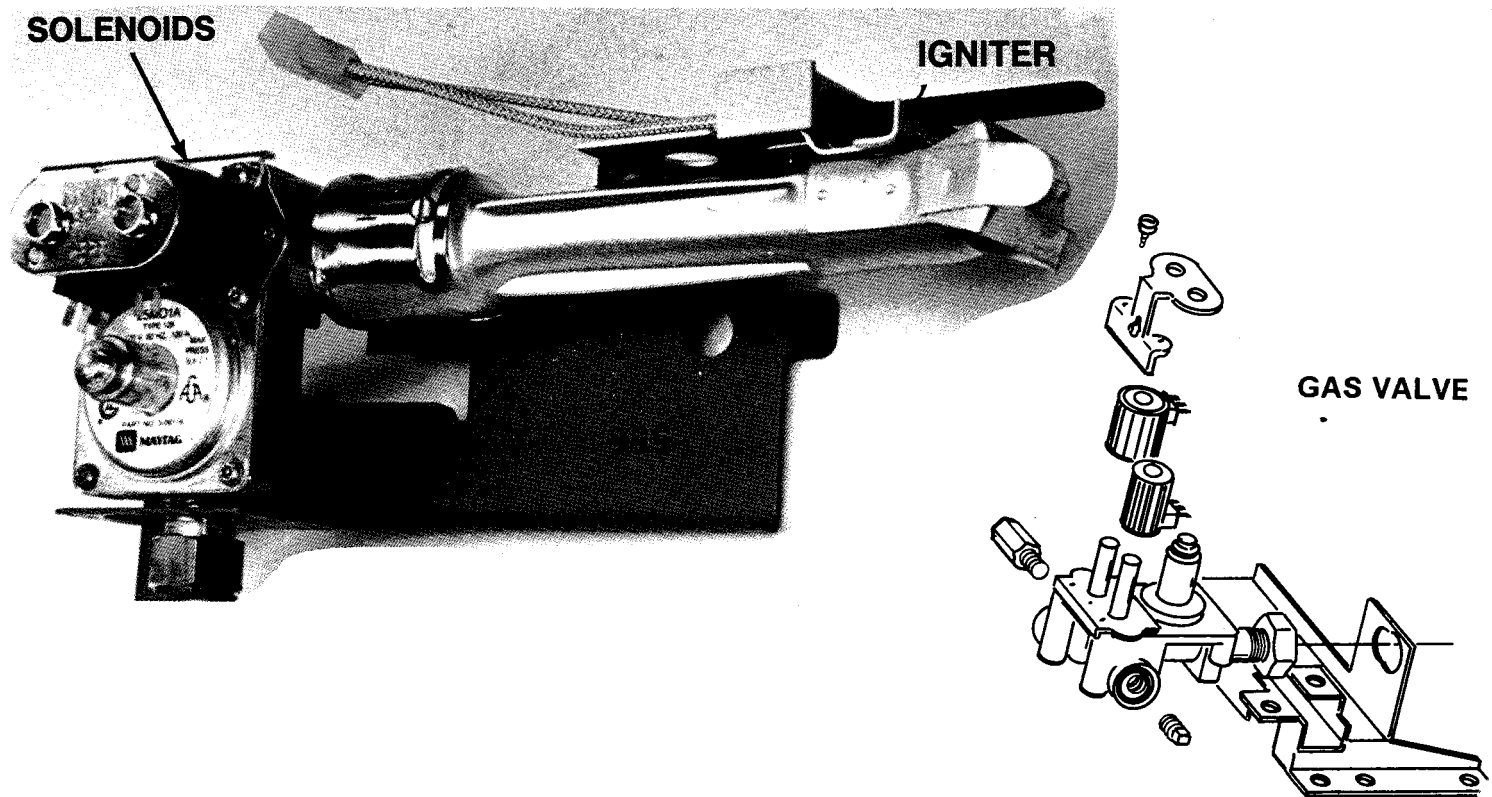
To replace:

1. Disconnect unit from power source before servicing.
2. Remove front access panel.
3. Loosen back screw.
4. Remove front screw.
5. Remove wires and slide thermostat out.

CAUTION

**SHUT OFF ELECTRICITY AND GAS
UNTIL INSTALLATION HAS BEEN
COMPLETED.**

GAS VALVE AND RELATED COMPONENTS



The gas controls utilize a direct ignition system (there is no pilot light). The three major components of the gas are: Igniter, Radiant Sensor and Gas Valve.

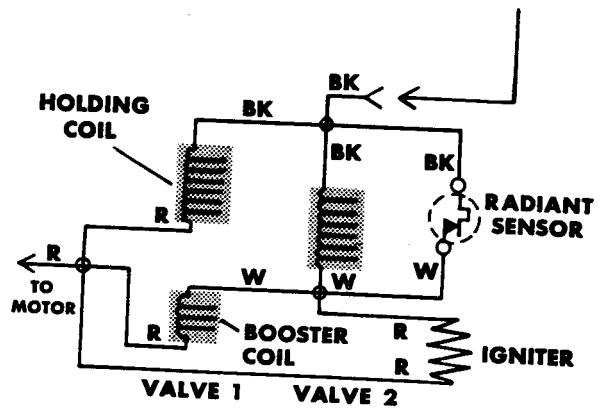
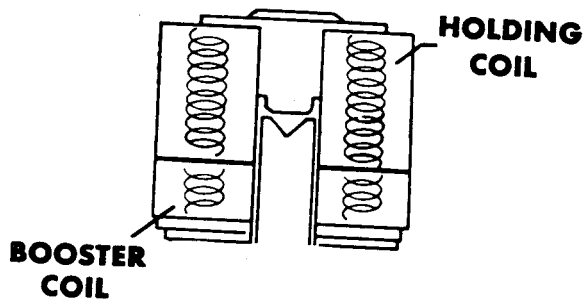
1. **IGNITER** -- When the controls call for heat, line voltage is applied to the igniter. This causes the igniter to heat up becoming cherry red. It can reach a temperature of approximately 2200° F. in about 30 seconds. Gas contacting igniter at this temperature will ignite immediately.
2. **RADIANT SENSOR** -- The radiant sensor operates much like a regular thermostat. It is mounted to the side of the combustion cone over an opening which exposes the sensor to the igniter and burner flame.

In its normal condition, the contacts in the radiant sensor are closed and

the circuit is completed to the igniter. As the igniter heats up, the heat radiated by the igniter causes the radiant sensor contacts to open breaking the circuit to the igniter.

3. **GAS VALVE** -- The gas valve is actually two gas valves, one in series with the other. This is a safety feature providing added protection against gas released in the event of a failure of one of the valves to seat properly.

The first valve is opened by a solenoid which has two separate coils built into one solenoid. This solenoid uses what is termed a split coil. The coils are referred to as the holding coil and the booster coil.



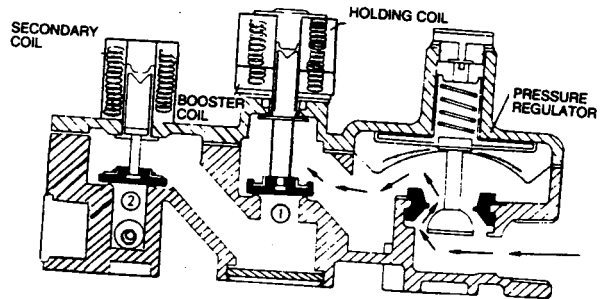
Both coils are needed to lift the armature and open the valve. The holding coil is strong enough to keep the valve open once the armature has been lifted.

The second of the two valves is operated by the traditional one coil solenoid. This is called a secondary coil.

The sensor, igniter and gas valve are all interrelated and function as an ignition and heat source.

The complete system functions as follows:

At the start of the cycle, the sensor contacts are closed, the igniter is at room temperature and the gas valve is closed blocking the flow of gas.



First, note on the wiring diagram that the radiant sensor contacts are wired across the secondary coil. This effectively bypasses current around the secondary coil when the radiant sensor contacts are closed. Valve 2 cannot open with the radiant sensor contacts closed.

The booster coil and the igniter are also wired in parallel. Note that while these two components are in parallel with each other, they are wired in series with the radiant sensor and secondary coil combination. When the radiant sensor contacts are closed, full line voltage is available to the booster coil and to the igniter. When the radiant sensor contacts open current has to flow through the secondary coil on Valve 2 in order to get to the booster

coil and to the igniter. A significant voltage drop develops across the secondary coil. While the parallel booster coil and igniter are still in the circuit, they become ineffective due to the greatly reduced voltage available to them.

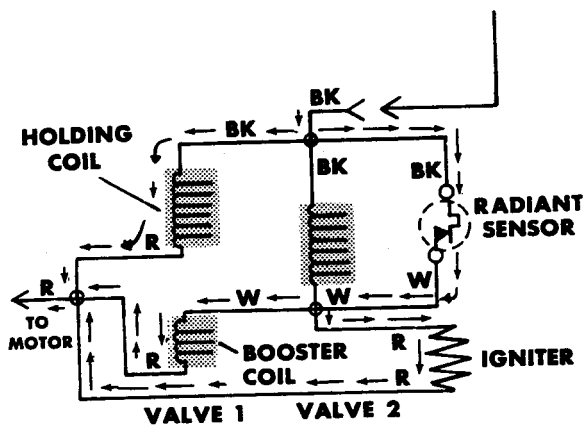
Operation: Dryer controls calling for heat.

Phase I

Power reaches the valve assembly by means of the Molex wiring connector. The black valve harness wire is normally the "hot" side of the line and the red is normally the neutral side of the line and is completed through the motor centrifugal switch.

Radiant sensor contacts closed.

The holding coil, booster coil and igniter all receive line voltage. The holding coil and booster coil develop the necessary magnetic pull to open Valve 1. The igniter, operating at line voltage, begins to get very hot. The heat radiated by the igniter affects the element of the radiant sensor.



Because the secondary coil on Valve 2 is bypassed by the radiant sensor contacts, Valve 2 remains closed and prevents the release of gas.

Phase II

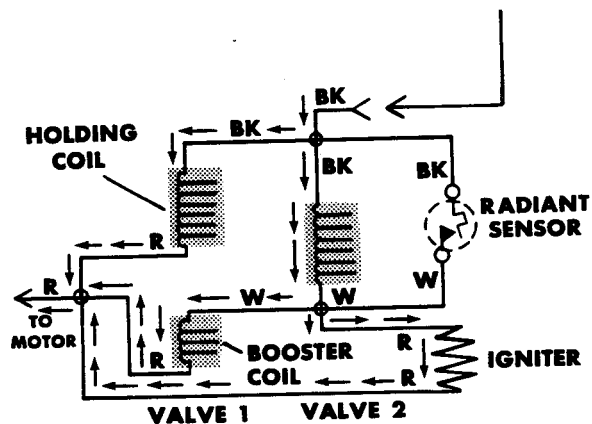
The igniter is now hot and Valve No. 1 is open. With the igniter hot, two things occur:

1. As the igniter is heated, its resistance decreases.
2. The heat from the igniter causes the radiant sensor switch to open.

Phase III

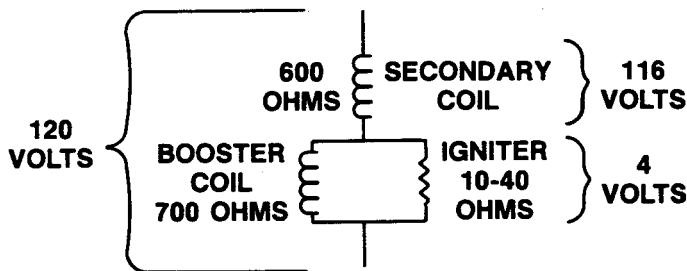
Valve 1 is being held open by the holding coil and with the radiant sensor contacts open because of the intense heat from the igniter, the current paths in the circuit change.

1. With the sensor contacts open, the secondary coil is no longer bypassed. It is now in series with the parallel combination of the booster coil and the igniter.



Because of the very low resistance of the hot igniter, most of the line voltage is dropped across the secondary coil. Only a small per-

centage is dropped across the booster coil and igniter.



2. The secondary coil now opens Valve 2 releasing gas across the still extremely hot igniter. The burner flame is ignited.

While the igniter will cool, the tip is positioned in the burner flame which keeps it hot and the resistance low.

The ignition cycle is now completed and the drying cycle begins.

The gas valve as shipped with the dryer or for repair is set for use with natural gas. Because of differences in operating pressure and heat content of other gases, the valve must be converted to use fuels other than natural gas.

Conversion kits are available to convert from natural to L.P.G. and back from L.P.G. to natural. Check parts catalog for correct part number.

SAFETY FEATURES

The design of the system provides for fail-safe operation in the event of power

interruption, ignition failure, or flame failure as described following.

POWER INTERRUPTION

If the power to the burner assembly is cut off, either by opening the dryer door or by line failure, both valves will close, cutting off the gas flow to the burner. If the power is quickly restored before the flame sensor cools and closes its contact, the secondary valve will open but no gas will flow because the split coil valve will not open. Since the secondary coil is in series with the booster coil, the reduced current flow through the booster coil create a strong enough magnetic field to help the holding coil open the split coil valve. When the flame sensor cools and closes its contacts, it shunts the secondary coil, providing a full current flow to the igniter and the booster coil, and the system will go through a normal ignition sequence.

IGNITION FAILURE

When the flame sensor reacts to the heat from the igniter and opens its contacts, the secondary coil energizes and opens the secondary valve, enabling gas to flow to the burner. If no gas is present or the gas flow is not ignited, the flame sensor will cool and reclose its contacts, causing the secondary valve to close and allowing the igniter to reheat. The system will continue to cycle in this manner until normal ignition occurs or the dryer is turned off.

FLAME FAILURE

If the burner flame should go out for any reason, the flame sensor will close its contacts in about 45 seconds, and the

system will go through a normal ignition sequence.

for the gas to be used) contacts the screw. Tighten the screw to lock the shutter in place. (See Direct Ignition System, Sec. 4).

Air Shutter Adjustment

If the shutter has been stamped "LP" and "N" (for Natural Gas): Loosen the screw holding the shutter, rotate the shutter until the end of the slot (Labeled

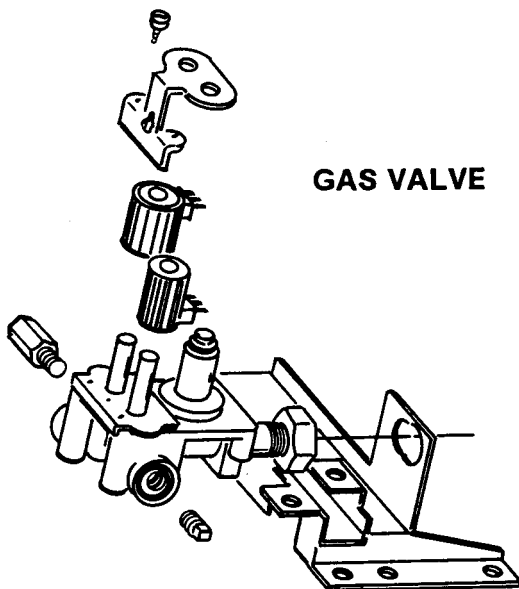
GAS CHART

GAS TYPE	NATURAL	LPG
BTU PER CU. FT.	1075	2500
PRESSURE INCHES	3.5	11
SPECIFIC GRAVITY	0.65	1.53
DRILL SIZE	42	54

Coil Replacement

CAUTION

SHUT OFF ELECTRICITY AND GAS UNTIL INSTALLATION HAS BEEN COMPLETED.



Individual gas valve coils are available.

Should you encounter a condition where the flame will come on the first time but in subsequent tries, the flame will not come on, replace the holding and booster coils.

1. Remove front access panel.
2. Remove the two screws which hold the magnetic strap to the gas valve.
3. Cut the two leads of the coil being removed and strip one-half inch insulation from each end.

Note: The leads should be cut as close to the coil body as possible.

4. Use wire nuts to splice the new coil leads into existing harness leads.
5. Assemble coil, seal plate and "O" ring seal over end of guide tube.
6. Carefully position coil assembly and guide tube over plunger.
7. Replace the two screws which hold magnetic strap to valve.
8. Check for gas leaks, using liquid leak detector.



Igniter

The igniter is used to ignite the gas as it comes from the gas valve. It is located on the left side of the burner (as viewed from the front of the dryer). The igniter is very fragile and must be handled carefully. Should you find an igniter which has shattered, replace igniter. Operate dryer and see if igniter stays on. If igniter stays on longer than 40 seconds, replace radiant sensor.

CAUTION

SHUT OFF ELECTRICITY AND GAS UNTIL INSTALLATION HAS BEEN COMPLETED.

1. Remove front access panel.
2. Unplug igniter from gas valve (plug type connector).
3. Remove screw and washer holding igniter to burner.

Radiant Sensor

CAUTION

SHUT OFF ELECTRICITY AND GAS UNTIL INSTALLATION HAS BEEN COMPLETED.

The radiant sensor acts much like a thermostat.

1. Remove front access panel.
2. Remove wires from sensor.
3. Remove screw holding sensor to heat cone.
4. Pull tab on sensor bracket from slot in heat cone.

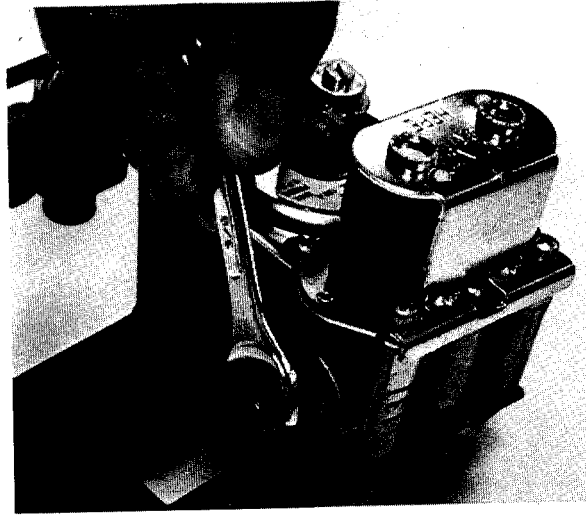
Gas Valve Removal

CAUTION

SHUT OFF ELECTRICITY AND GAS UNTIL INSTALLATION HAS BEEN COMPLETED.

1. Remove front access panel.
2. Shut off gas supply and disconnect supply line to valve.

3. Remove two screws holding valve and burner assembly to base.
4. Disconnect wire harness.
5. Disconnect wires from radiant sensor located on heat cone.
6. Remove wires from hi-limit thermostat.
7. Slide valve bracket out of slot in base and remove valve and burner assembly.
8. Remove three screws holding valve bracket and burner to underside of gas valve.



Heat Cone

CAUTION

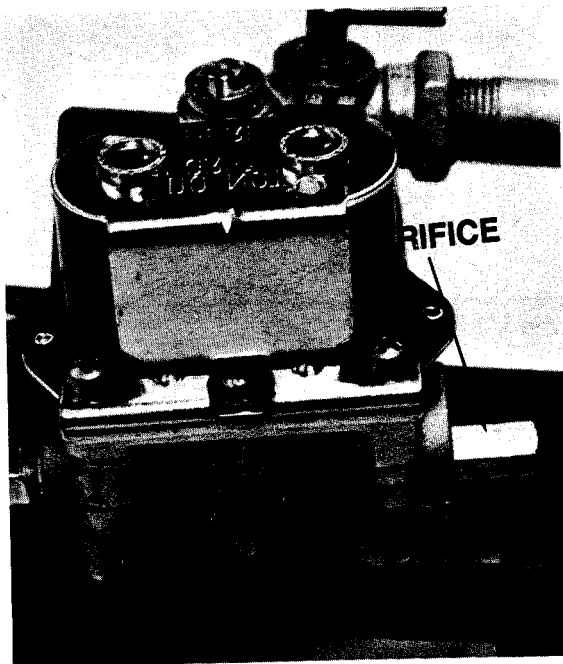
SHUT OFF ELECTRICITY AND GAS UNTIL INSTALLATION HAS BEEN COMPLETED.

1. Remove front access panel.
2. Remove gas valve.
3. Remove screw in front of cone holding cone to base.
4. Remove one screw at back of cone holding cone tab to inlet air duct.
5. Pull cone out of dryer.

Orifice

CAUTION

SHUT OFF ELECTRICITY AND GAS UNTIL INSTALLATION HAS BEEN COMPLETED.



The orifice can be removed with a 3/8" wrench.

Inlet Duct

CAUTION

SHUT OFF ELECTRICITY AND GAS UNTIL INSTALLATION HAS BEEN COMPLETED.

This duct serves to channel heated air into dryer tumbler.

1. Remove front access panel.

2. Remove tumbler front, tumbler and belt.
3. Remove screws securing heat cone to base and to inlet duct.
4. Remove tumbler back. Note four screws are accessible from behind dryer.
5. Remove screws securing inlet duct.

SERVICE PROCEDURES

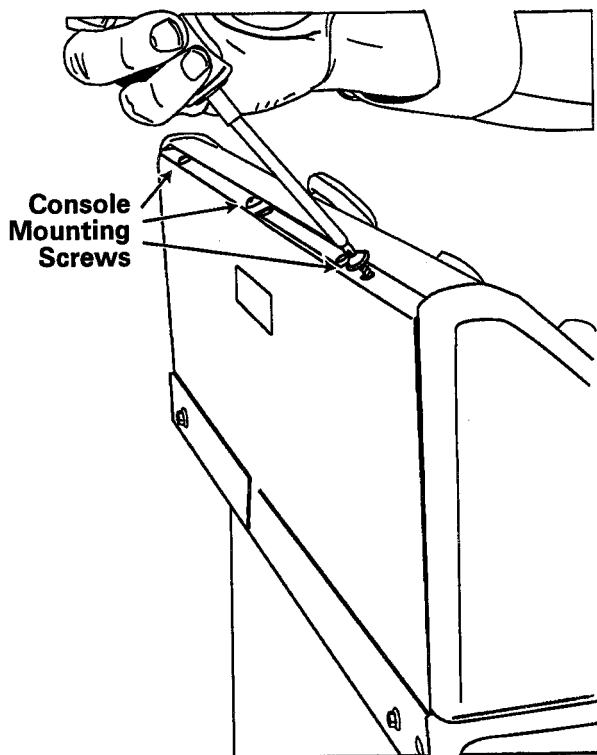
The following procedures outline those procedures which are unique to the new 1997 Maytag Electric and Gas Dryer line. Otherwise, the service procedures are the same as those outlined in this service manual

CAUTION

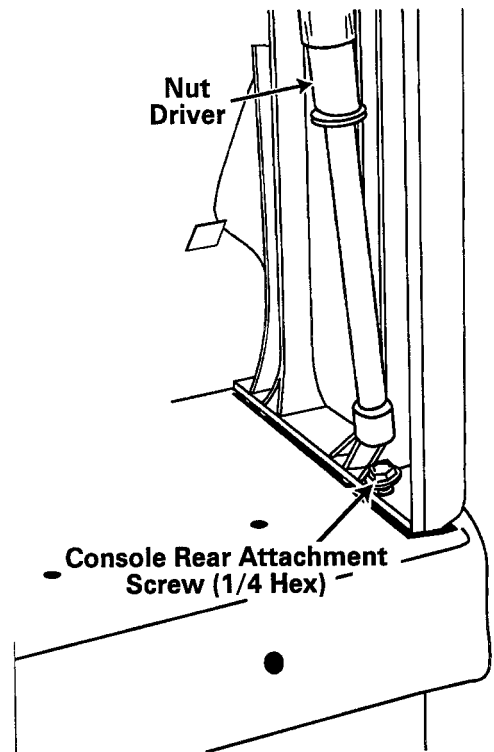
There can be risk of injury or electrical shock while performing services or repairs. Injury or electrical shock can be serious or even fatal.

CONSOLE REMOVAL:

1. Remove the three screws securing the console rear cover plate across the rear top edge of the console.



2. Tip the console rear cover plate back. Use an extension on the nut driver to access the two 1/4" hex screws located inside the console along the lower edge of the endcaps. Remove the two screws.



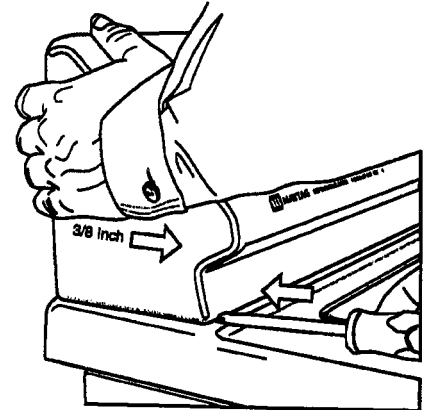
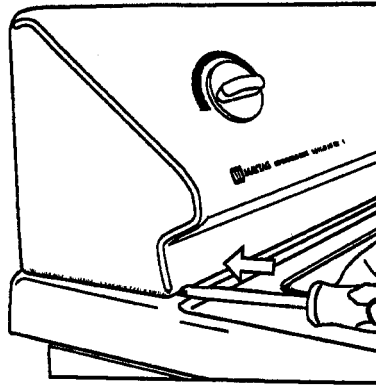
The console is secured to the top cover by seven locking feet which engage through slots in the top cover.

3. Locate a small slot in the front of the console underneath the endcap.
4. Place a small flat blade screwdriver horizontally into the slot. Carefully apply an inward pressure with the screwdriver to disengage a retaining tab located underneath the endcap of the console.
5. While carefully applying inward pressure through the slot, grasp the endcap and slide the end of the con-

sole forward 3/8". This will disengage the hook feet under the console which engage through slots in the top cover. Repeat this procedure to the other end of the console.

6. After laying a dropcloth across the top cover of the washer, carefully lift and roll the console forward onto the top cover. You now have access to the console components and wiring.

7. **To Reinstall:** Roll the console back into an upright position, engaging the locking feet into the slots in the top cover. Slide the console rearward till you hear a "click". This ensures the locking tabs have engaged. Replace the two screws to attach console to top cover. Replace the three screws to attach console back to console.



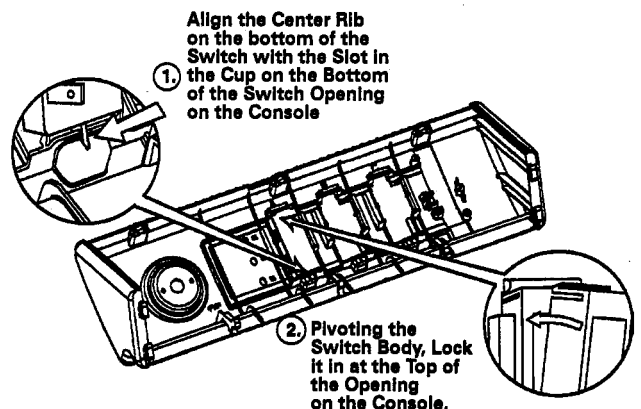
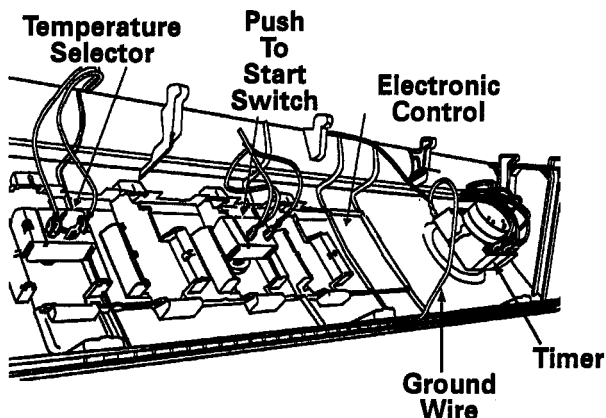
SWITCH REMOVAL & REPLACEMENT:

Switches are retained in the console by means of locking tabs on the switch bodies which engage with retaining features on the console. Switches may be mounted either horizontally or vertically in the console. Please note orientation of the switches prior to removal and replacement.

Removal of rotating knobs will be necessary prior to switch removal. Knobs are removed by pulling the knob from the shaft of the switch. Buttons are not removed prior to switch removal.

Vertical Switches (Push Button)

1. **To remove** - Depress the tab at the top of the switch with a screw-

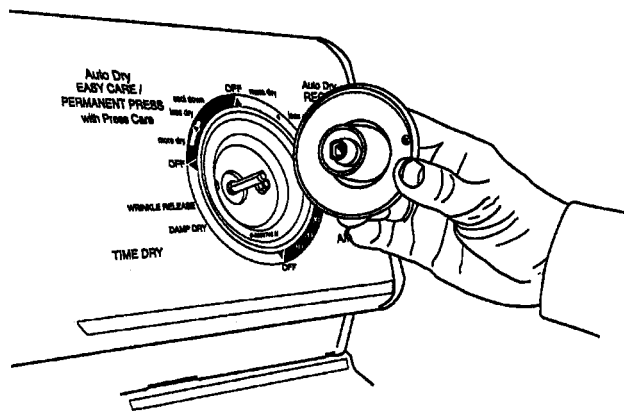
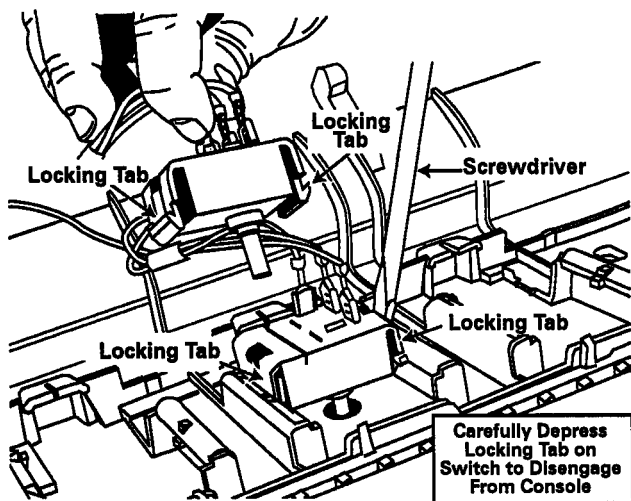


driver to disengage the tab from the console, then pivot the switch away from the console to remove.

2. **To replace** - Align the rib on the bottom of the switch with the slot in the console, then pivot the switch up into the console until the tab engages the console securely. Check to be sure the locating tabs on either side of the switch's lower alignment rib are in position to properly center and lock the switch into the lower part of the console switch opening.

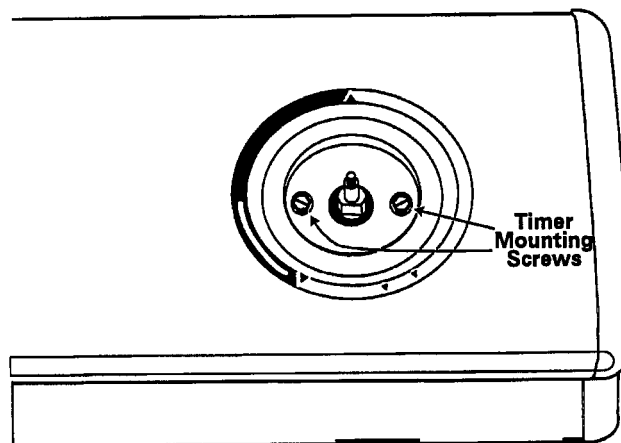
Horizontal Switches (Rotary)

1. **To remove** - Depress the locking tab on the switch to disengage the switch from the locking tab on the console. Pivot the switch from the console.
2. **To replace** - Position one side into the console and pivot the other tab into the console and apply enough pressure to engage the tab into the console.



Timer Removal

1. Remove timer knob and dial skirt by pulling it off the timer shaft.
2. Remove the two timer mounting screws now exposed on the face of the control console.
3. Remove the timer from the console.
4. Remove the timer harness.
5. Reverse the procedure to reinstall.



SECTION 4. TROUBLESHOOTING

ELECTRICAL - MECHANICAL

Will Not Run

If dryer won't start or run check the following:

- All wires are hooked up to their corresponding terminals.
- Dryer is plugged in.
- Blown fuse or circuit breaker.
- Door switch.
- Push-to-start switch.
- Timer.
- Drive motor.
- Thermal fuse.

If drive motor runs -- drum won't turn check the following:

- Belt off or broken.
- Motor pulley loose or off.
- Idler tension spring.
- Idler pulley.

If dryer runs a few minutes and then stops --Motor overload protector opens check the following:

- Lint build-up around drive motor.
- Low voltage.
- Blower impeller blocked.
- Drive motor.

CAUTION

As a general rule, appliance should always be disconnected from power source before servicing appliance or replacing component parts.

If dryer blows fuses or trips circuit breaker check the following:

Electric Models

- The amperage readings are at 240 volts. One line will be 24 amps and the other line will be 21 amps. The neutral line will be at 4 amps. *If you have the above amperage readings, the problem is not the dryer. Check the fuse box, circuit breaker or house wiring.*
- Shorted heating element.
- Incorrect wiring or a wire shorting to ground.
- Drive motor.

Gas Models

- During ignition the dryer will draw 7 amps. With the burner on, the dryer will draw 4.5 amps. *If the dryer is drawing the above amperage and the fuse blows, the problem is not the dryer. Check the fuse box, circuit breaker or house wiring.*
- Igniter.
- Incorrect wiring or a wire shorting to ground.
- Drive motor.

Will Not Dry

If dryer won't heat (motor runs) check the following:

ELECTRIC MODELS

- Blown fuse or tripped circuit breaker.
- Open heating element.
- Hi-limit thermostat.
- Regulating thermostat.
- Temperature selector switch.
- Timer.
- Cycle selector switch (where used).
- Drive motor start switch.

If improper Drying -- Clothes Wrinkled -- Harsh -- Taking too long, check the following:

- Lint filter is clean.
- Restriction in exhaust.
- Exhaust hood door stuck.
- Exhaust too long.
- Poor make-up air.
- Incorrect drum speed. Adjust motor pulley or wrong motor pulley.
- Blower impeller bound.
- Be sure element or gas valve cycles on and off.
- Shorted heating element - electric dryers only.
- Customer overloading dryer.
- Check clothing labels for fabric content.

Will Not Shut Off

On Time Dry Models check:

- Timer motor.
- Timer.

On Auto Dry Models check:

Timer motor will only advance when element or gas valve has satisfied cycling thermostat.

- Set timer for time dry. Check voltage across timer motor. If timer will not advance, replace timer.
- When valve or element cycles off, should have power to timer motor, if not, proceed with next check.
- Dryer cycling on hi-limit thermostat. Check following:
 - Lint filter clean.
 - Restriction in exhaust.
 - Exhaust hood door stuck.
 - Exhaust too long.
 - Regulating thermostat.
- Customer is overloading dryer.

ELECTRONIC CONTROL MODELS

The Electronic Control Dryers incorporate a new "simplified" Electronic Control System using a PTC Thermistor (Positive Temperature Control). Which is a thermistor that will induce current flow at predictable temperatures by resistance.

CAUTION

As a general rule, appliance should always be disconnected from power source before servicing appliance or replacing component parts.

The application of this thermistor provides for a Timer Motor in series with the moisture sensors inside the dryer bulkhead. Instead of running a timer motor from the reading of temperature inside the dryer, it now runs the timer motor intermittently, (as clothes get dry) with a temperature sensing thermistor.

FUNCTION OF ELECTRONIC CONTROL UNIT

1. **Wet Load.** Wet clothes making contact across sensor bars allows current path to ground. This allows current to pass across the P.T.C. thermistor on control board. Current passage through thermistor creates 70 VAC voltage drop across thermistor and leaves only 50 VAC for timer motor. Timer motor stops and won't run.
2. **Dry Load.** Drying clothes will discontinue making contact across sensor bars. This inhibits the current path to ground and the allowment of current through the thermistor. In turn, the voltage drop across the thermistor will diminish and full voltage (120VAC) returned to timer motor. Timer motor will run.

During off. The machine will power the timer motor until all circuits are broken through a low impedance buzzer. This is to prevent low current flowing through any wet clothes left across the sensors from staining the clothes. The

buzzer works "normally" during motor coast down or timer periodic contact in press care, but won't buzz while running timer motor to complete off setting. This is the reason for low buzzer impedance, high timer impedance.

TROUBLESHOOTING

When the dryer does not go into cool-down and shut off with dry clothes, a control problem or a sensor problem exists. Troubleshooting the electronic control is made easier if we break the circuit down into parts. We can separate the two parts by disconnecting the W-BU wire in the control panel at the plastic coupler. The upper part contains the electronic control assembly which consists of the edgeboard connector assembly, printed circuit board assembly and relay. The lower part consists of the sensor assembly located on the tumbler front bulkhead.

Separating the two areas by pulling the wires apart at the coupler will show where the problem is located. If the dryer is started without any clothes in the drum and shuts off in about 20 minutes (depending on what dryness level is selected), without the sensor circuit hooked up, then the sensor must be keeping the dryer from shutting off. If the dryer does not shut off, then the problem is in the electronic control assembly.

CAUTION

As a general rule, appliance should always be disconnected from power source before servicing appliance or replacing component parts.

Sensor Assembly

1. Disconnect power supply.
2. Remove front panel.
3. Remove wires going to the sensor bars.
4. Check with ohmmeter to make sure there is **NO** continuity across the sensor bars. If you have continuity across the sensor bars the capacitor cannot build a charge, it will continually bleed off.

CAUTION

Always disconnect power supply before making continuity or resistance checks.

5. Check to make sure the sensor bar (the one not connected to cabinet ground) is not shorted to cabinet ground. If this sensor bar has a leakage path to cabinet ground, the capacitor cannot build a charge and will continually bleed off. Use ohmmeter to check from sensor bar to cabinet ground.

CAUTION

As a general rule, appliance should always be disconnected from power source before servicing appliance or replacing component parts.

Miscellaneous

Dryer noisy, check the following:

- Thumping sound. Check for loose drum baffle, rear drum roller(s) worn or misaligned, or check drum for rough spots.
- Ticking sound. Check for loose wire hitting cabinet or other component, check for an object caught in the blower.
- Scraping sound. Check for front or rear bulkhead felt seal out of position, teflon bearings mounted to the front bulkhead worn.
- Popping or squealing sound. Check for a sticky belt or frayed belt.

If buzzer will not buzz at end of cycle. (Auto Dry Models) check:

- Be sure all wires are connected and wired correctly on the timer, buzzer and drive motor.
- Buzzer.
- Motor centrifugal switch sticking in run position.

If buzzer stays on too long or goes off too quickly check:

(Auto Dry Models)

- Length of time the buzzer stays on is dependent upon the time it takes the motor to slow down, allowing the motor switch to reset. The normal time increment is between 2 and 3 seconds.

MICROPROCESSOR BOARD CONTROL MODELS

The microprocessor board receives input information from the various components involved with the operation of the dryer; such as the dryness sensor and the thermistor. It uses this information to determine the necessary control for the completion of the cycle.

One of the ways it accomplishes this is through the use of control relays. A control relay (S.P.S.T.) is placed in the motor circuit for both the gas and electric dryer. Another relay (S.P.S.T.) is placed in the heat circuit for the electric dryer only. With these relays the microprocessor board is capable of using a low voltage circuit to control a high voltage circuit. We can call these two circuits the control circuit and the controlled circuit. **NOTE:** The control for the gas dryer's gas valve circuit is different and is covered later.

The control circuit for the drive motor consists of the microprocessor board and the Motor Relay's coil. The controlled circuit for the drive motor consists of the Motor Relay's switch contacts, thermal fuse and cut-off, drive motor and door switch. The microprocessor board starts the drive motor by sending 24 VDC to the Motor Relay's coil. When energized, the coil creates a magnetic field that closes the switch

contacts in the relay and provides a path for voltage to the motor. When the microprocessor board determines it needs to stop the motor, it removes the 24 VDC to the relay's coil. The switch returns to its normally open position and the path for voltage to the motor is opened.

The control circuit and controlled circuit for the heating element on the electric dryer operate on the same principle as the motor relay's circuits. When the microprocessor board wants to energize the heating element it sends 24 VDC to the coil in the Heater Relay and a path for voltage is completed through the switch contacts to the heating element. When the 24 VDC are removed from the coil the switch contacts open and the path for voltage to the heating element is opened.

TROUBLESHOOTING

When trying to determine what is causing the problem (drive motor will not run or heating element will not come on), separate the two circuits to isolate the problem area. Start with the control circuit (it has to function before the controlled circuit will work). Determine what is involved in this circuit and proceed to check the components. If these components are found to be functioning correctly, focus on the controlled circuit. Determine what is involved and proceed in checking the components.

CAUTION

As a general rule, appliance should always be disconnected from power source before servicing appliance or replacing component parts.

CONTROL CIRCUIT

If drive motor will not run (gas and electric) check:

1. Disconnect the power supply.

CAUTION

Always disconnect power supply before making continuity or resistance checks.

2. Make continuity check or resistance check on Motor Relay's coil.
 - A. Remove wire connectors O-BK and W-BU on the Motor Relay.
 - B. Attach meter leads across terminals O-BK and W-BU. You should see about 470 ohms of resistance if checking resistance.
 - C. No continuity, replace the relay.

CAUTION:

Use extreme care when checking voltage.

3. Check for 24 VDC across the coil on the Motor Relay. To check for this voltage the dryer has to be in a program.
 - A. Place meter leads across wire connectors O-BK and W-BU on the Motor Relay (the relay has two sizes of terminals; the smaller terminals for DC and the larger terminals for AC).

CAUTION

As a general rule, appliance should always be disconnected from power source before servicing appliance or replacing component parts.

Note: You are checking DC voltage, set and use meter accordingly.

- B. No voltage, suspect the micro-processor, transformer, edgeboard connector AA or power supply.

CONTROLLED CIRCUIT

1. Check for continuity across the Motor Relay's switch contacts with the coil energized.
 - A. Disconnect power supply.
 - B. Remove wire connectors R-BK and GY.
 - C. Attach the meter's leads across terminals R-BK and GY.
 - D. Connect power supply.

CAUTION SHOULD BE EXERCISED WHENEVER WORKING AROUND LIVE VOLTAGE.

- E. No continuity across switch contacts with coil energized, replace the relay.
2. Another method of checking.
 - A. Disconnect the power supply.
 - B. Remove and connect wires R-BK and GY together (the wires connectors are insulated, a jumper will have to be used).

- C. Connect power supply.
 - D. If motor runs, the switch in the relay has failed, replace relay.
3. Check drive motor. Refer to Electrical Test Equipment section for drive motor test.

CAUTION

Always disconnect power supply before making continuity or resistance checks.

4. Make continuity checks on thermal fuse and cut-off. No continuity, replace.
5. Make continuity check on door switch with door closed. No continuity, replace.

CONTROL CIRCUIT

No heat (electric dryer):

1. Check for continuity or resistance across the coil on the Heater Relay.
 - A. Disconnect power supply.
 - B. Place meter leads across YL and W-BU.
 - C. Should see about 310 ohms if reading resistance. No continuity, replace relay.

CAUTION

As a general rule, appliance should always be disconnected from power source before servicing appliance or replacing component parts.

CAUTION:

Use extreme care when checking voltage.

2. Check 24 DC voltage to relay.
 - A. Place meter leads across wire connectors YL and W-BU.

NOTE: Checking DC voltage, set and use meter accordingly.

- B. Make voltage check. No voltage, suspect microprocessor board, transformer, edgeboard connector AA or power supply.

CONTROLLED CIRCUIT

1. Check for continuity across switch contacts in Heater Relay.
 - A. Disconnect power supply.
 - B. Remove wire connectors BK and BK from relay.
 - C. Place meter leads across terminals BK and BK on relay.
 - D. Connect power supply.

CAUTION SHOULD BE EXERCISED WHEN WORKING AROUND LIVE VOLTAGE.

- E. Make continuity check. No continuity, replace relay.

2. Another method for testing is to bypass the Heater Relay.
 - A. Disconnect power supply.
 - B. Remove wire connectors BK and BK (wire connectors are insulated, jumper wire will have to be used).
 - C. Connect power supply. If heating element is energized, relay has failed, replace relay.

CAUTION

Always disconnect power supply before making continuity or resistance checks.

3. Check for continuity across 160° Limit Thermostat (when cool). No continuity, replace thermostat.
4. Check for continuity across Hi-Limit Thermostat. No continuity, replace thermostat.

Note: When checking continuity or resistance always isolate what you want to check.

5. Check for continuity or resistance across the Heater (heating element). Should see about 11 ohms (240 volt element), about 8 ohms (208 volt element) when checking resistance. No continuity, replace heating element.
6. Check continuity across centrifugal switch on motor switch.

CAUTION

As a general rule, appliance should always be disconnected from power source before servicing appliance or replacing component parts.

- A. Remove wire connectors BU and BK from motor switch.
- B. Attach meter leads across terminals BU and BK on switch.
- C. Use small screwdriver to move centrifugal lever on the drive motor to the "run" position.
- D. Check for continuity across terminals BU and BK, no continuity, replace motor switch.

HEAT CIRCUIT FOR THE GAS DRYER

No heater control relay is placed in series with the gas valve on the gas dryer. The control for this circuit is done on the microprocessor board itself. The L1 side of the power supply is routed to the microprocessor board through edgeboard connector BB (refer to schematic). The microprocessor board determines when the gas valve should be energized and relays L1 back through edgeboard connector BB and completes the circuit for the gas valve.

Will not heat (gas dryer), check:

CAUTION

Always disconnect power supply before making continuity or resistance checks.

1. Check continuity across 160° Limit Thermostat (when cool). No continuity, replace.

2. Check continuity across Hi-Limit Thermostat. No continuity, replace.
3. Check continuity across centrifugal switch on motor switch.
 - A. Remove wire connectors BU and BK from motor switch.
 - B. Attach meter leads across BU and BK terminals on the switch.
 - C. Use small screwdriver to move the centrifugal lever on the drive motor to "run" position.
 - D. Check for continuity across BU and BK, no continuity, replace motor switch.
4. Check gas valve. Refer to section covering gas valve.
5. Check for the L1 side of the voltage to the gas valve. The L1 side is controlled by the microprocessor board. Wiring is completed through edgeboard connector B (pin 3 and pin 1).

CAUTION:

Use extreme care when checking voltage.

- A. Dryer must be in a program that is calling for heat.
- B. Use voltmeter to check from terminal BK on 160° Limit Thermostat to cabinet ground (be sure polarity is correct) with dryer calling for heat.
- C. No voltage (120 VAC), suspect microprocessor, edgeboard connector BB, transformer or power supply.

CAUTION

As a general rule, appliance should always be disconnected from power source before servicing appliance or replacing component parts.

DRYER (MICROPROCESSOR BOARD CONTROL)

A microprocessor board provides the control for this dryer. It accomplishes this control with several components. The components involved are the transformer, thermistor, control relays, dryness sensor and lint filter switch.

To start the dryer the user selects the desired program by pressing the indicated pad on the menu. There are 17 of these pads from which the user can select the programs and options for the dryer. Behind the pads are actuators (push rods) that activate switches on the microprocessor board to initiate the program and options. **NOTE:** An option can be selected only after a program has been selected.

No test board is available to check microprocessors. Therefore, all other components in this section should be checked first. If no problem is found, replace microprocessor.

TRANSFORMER

A step-down transformer, consisting of a primary winding and three secondary windings, is used to provide the necessary voltages to the microprocessor board. The primary side of the transformer receives the voltage (120 volts measure across L1 and Neutral). The transformer then steps this voltage down through the secondary windings into the voltages needed to power the

microprocessor board and provide the voltages that the microprocessor board uses to control or operate the various functions of the dryer. The output voltages on the secondary side are 20.7 VAC, 22.6 VAC and 3.8 VAC (this winding has a center tap that provides 1.9 VAC when measured from the center tap to either of the outside leads).

VARISTOR

The varistor is a semiconductor device (solid state) connected across the primary input terminals on the transformer. Its function is to protect the microprocessor board against voltage surges or spikes. The resistance of the varistor decreases as the voltage across it increases. If the voltage exceeds the "threshold" of the varistor, its resistance will decrease rapidly to the point of providing a short circuit across the primary terminals. This may trip circuit breaker or open fuse or destroy varistor. If varistor is damaged, replace transformer.

TROUBLESHOOTING

Because the transformer provides the power to the microprocessor board it should be checked first if it appears the microprocessor board or any of the components in its circuitry is not func-

tioning properly. In checking or troubleshooting the transformer it is important to remember the transformer only transforms or changes the voltage to different values. It does not rectify the voltage to DC, that is done on the microprocessor board. **NOTE:** There are two sizes of spade terminals used on the transformer. The two large spade terminals are used for the primary winding and the smaller spade terminals are used for the secondary windings.

NO POWER

Primary Side:

1. Is dryer plugged into power supply?
2. Is voltage (120 VAC) present at primary side?

CAUTION:

Use extreme care when checking voltage.

3. Check for voltage (120 VAC).
 - A. Attach meter leads to wire connectors R-BK and W-BR.
 - B. Make voltage check, should see 120 VAC (voltage value may vary), if not, check power supply.
4. Disconnect power.
5. Remove wire connectors R-BK and W-BR from primary side of transformer.

CAUTION

As a general rule, appliance should always be disconnected from power source before servicing appliance or replacing component parts.

6. Check for continuity across these terminals. No continuity, replace transformer. If checking resistance there should be about 42 ohms across primary leads.

Secondary Side:

CAUTION

Always disconnect power supply before making continuity or resistance checks.

1. Check for continuity on secondary windings. **NOTE:** The resistance values of the secondary windings are small and may not be detectable unless using a digital meter. These are approximate values: Y-BK to Y-BK 2 ohms, W-OR to W-OR 1 ohm and PK to PK 5 ohms.
2. Remove wire connectors Y-BK and Y-BK from secondary winding.
3. Check for continuity across terminals on this secondary winding. No continuity, replace transformer.
4. Remove wire connectors W-OR, BU and W-OR from secondary winding.
5. Check for continuity from BU to both W-OR terminals. No continuity, replace transformer.
6. Remove wire connectors PK and PK from secondary winding.
7. Check for continuity across terminals on this secondary winding. No continuity, replace transformer.

CAUTION

As a general rule, appliance should always be disconnected from power source before servicing appliance or replacing component parts.

Voltage checks on the secondary windings.

CAUTION:

Use extreme care when checking voltage.

1. Attach meter leads across terminals Y-BK and Y-BK on secondary winding. Should see 20.7 VAC, no voltage replace transformer if primary and power supply check okay.
2. Disconnect power supply.
 - A. Remove wire connectors W-OR, BU and W-OR from secondary winding.
 - B. Attach meter leads across terminals W-OR and W-OR on secondary winding.
 - C. Connect power supply. Make voltage check. Should see 3.8 VAC across W-OR and W-OR (1.9 VAC from BU to either of the W-OR terminals), no voltage, replace transformer if primary and power supply check okay.
3. Attach meter leads across terminals PK and PK. Make voltage check. Should see 22.6 VAC, no voltage, replace transformer if primary and power supply check okay.

Note: These voltages may vary slightly.

FAULT CODE

The microprocessor board has the capability to detect certain problems associated with the operation of the dryer. When the microprocessor board detects one of these problems it displays a fault code in the dryer's display window. The fault code is displayed as a letter F followed by a number that corresponds to the problem. The microprocessor board makes the dryer inoperative for all but one of the fault codes. Fault code F-9 is the exception, it does not appear in the display (unless a certain procedure is followed) and does not make the dryer inoperative.

FAULT CODES

F-1

- Door circuit - board component failure.
- Dryer inoperative.
- Can appear anytime.
- Replace microprocessor board.

F-2

- Low temperature sensed (30° below zero).
- Dryer inoperative.
- Can appear after the first 1 1/2 minutes of a cycle calling for heat.
- Open thermistor circuit.

F-3

- High temperature sensed (above 180°F.).
- Dryer inoperative.
- Can occur anytime a cycle is calling for heat.
- Check venting.
- Short circuit in thermistor circuit.

F-4

- Dryer inoperative.
- Can occur only on start up.
- Replace microprocessor board.

F-9

- Low voltage (below 90 volts) detected.
- Dryer will operate and fault code is not displayed.
- Can occur anytime but will only show up and be cleared on request.
- To check for F-9, press OFF pad and while holding OFF pad, press the PAUSE/RESUME pad and hold for 2 seconds. This sequence will show all display segments and then display a F-9 if low voltage has occurred **since** last check.
- Check electrical circuit that dryer is on.

CLEARING THE FAULT

- Disconnect power supply.
- Correct problem.
- Restore power.

CAUTION

As a general rule, appliance should always be disconnected from power source before servicing appliance or replacing component parts.

DIRECT IGNITION SYSTEM

CAUTION

As a general rule, appliance should always be disconnected from power source before servicing appliance or replacing component parts.

When the dryer is operated on a heat setting, the ignitor should be energized and the burner shall fire within 45 seconds at 120 volts. Check for the existence of the flame. De-energize the gas control and re-energize. The flame should reappear within one minute.

The failure of a component in this system will usually be indicated by one of three symptoms:

1. The ignitor does not glow.
2. The ignitor glows but no gas ignition takes place.
3. The gas is ignited but the flame goes out.

The following test procedures are to assist in determining which component is causing the problem.

Note: In all failures it is suggested that the burner assembly be isolated from the dryer circuitry for testing.

- Disconnect the dryer from its power source.
- Disconnect the three (3) wire plug from the harness to the burner assembly. Check the wiring diagram of the dryer and connect a test cord to the proper burner assembly wires.

When power is applied, the operation of the burner assembly can be observed. This procedure eliminates the possibility of any component in the dryer, affecting the burner test.

CAUTION

In testing the burner in this manner, do not allow the flame to burn any longer than is required for the test, in order to avoid excessive heat buildup in the heater housing and inlet duct.

1. *No Ignitor Glow*

If the ignitor does not heat up, remove power and using an ohmmeter, check the following:

- Open Flame Sensor

- Open Ignitor
- Shorted Booster Coil
- Open Wiring

2. *Ignitor Glows - No Gas Ignition*

If the ignitor heats up but the main burner flame is not ignited, remove power and using an ohmmeter, check the following:

- Open Secondary Coil
- Open Holding Coil
- Open Wire

Other causes that will not show up in a continuity check but should be examined:

- Check Gas Valve
- Restriction in the Burner Orifice
- Ignitor Improperly Installed

3. *Gas Ignites - Flame Goes Out*

If a normal ignition takes place and after a short while the flame goes out, check for the following:

- Erratic Radiant Sensor

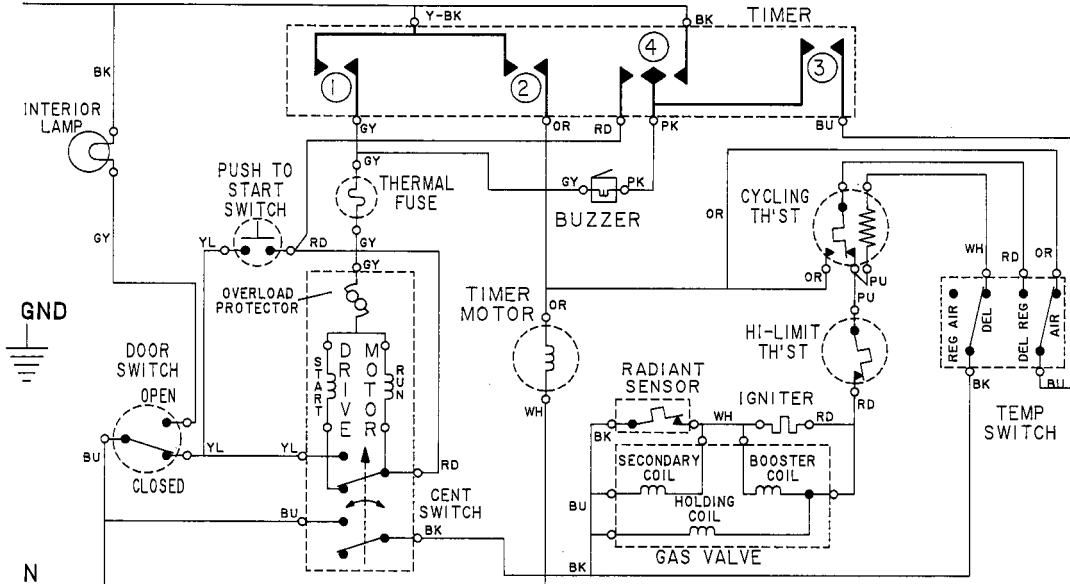
CAUTION

Reconnect electrical wires and check all gas connections for leaks before reconnecting to power supply.

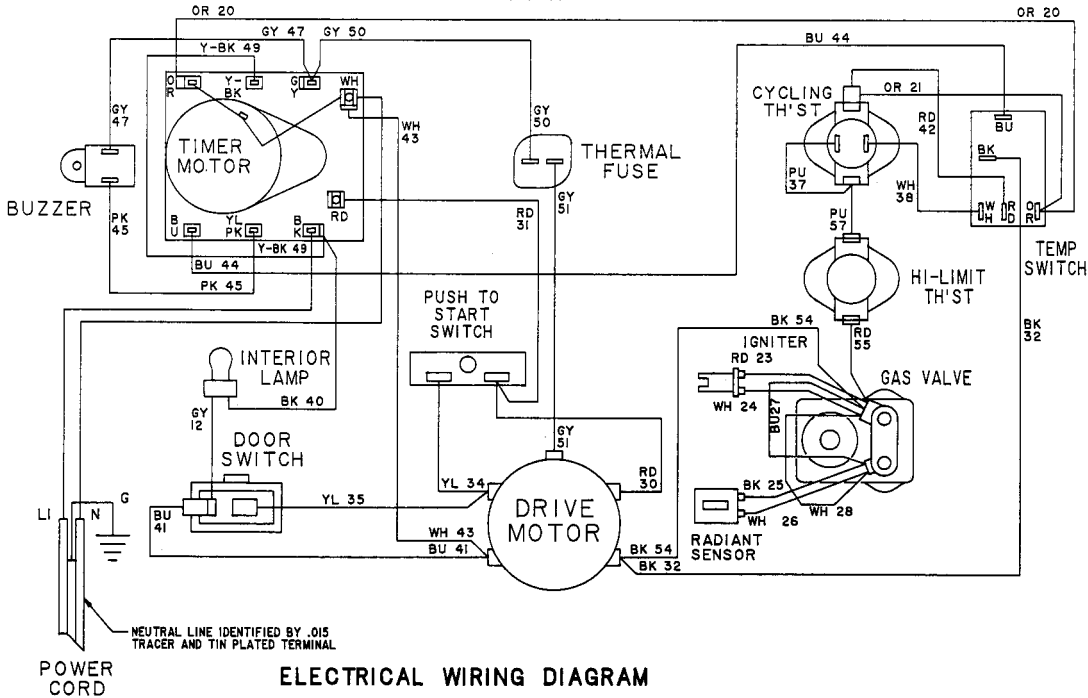
LDG4914

CAM INFORMATION AND CONTACT DATA			PERM PRESS	OFF	REG FABRIC	OFF	TIME DRY	OFF
CONTACT NO.	CIRCUITS	FUNCTION						
①	YB-GY	DRIVE MOTOR	█					
②	YB-OR	TIMER MOTOR		█				
③	BK-BU	HEATER	█		█		█	
④	PK-BK PK-RD	BUZZER/HEATER BUZZER/PULSER *	█					

L1 * 10N 5 SECONDS EVERY 5 MINUTES



ELECTRICAL SCHEMATIC



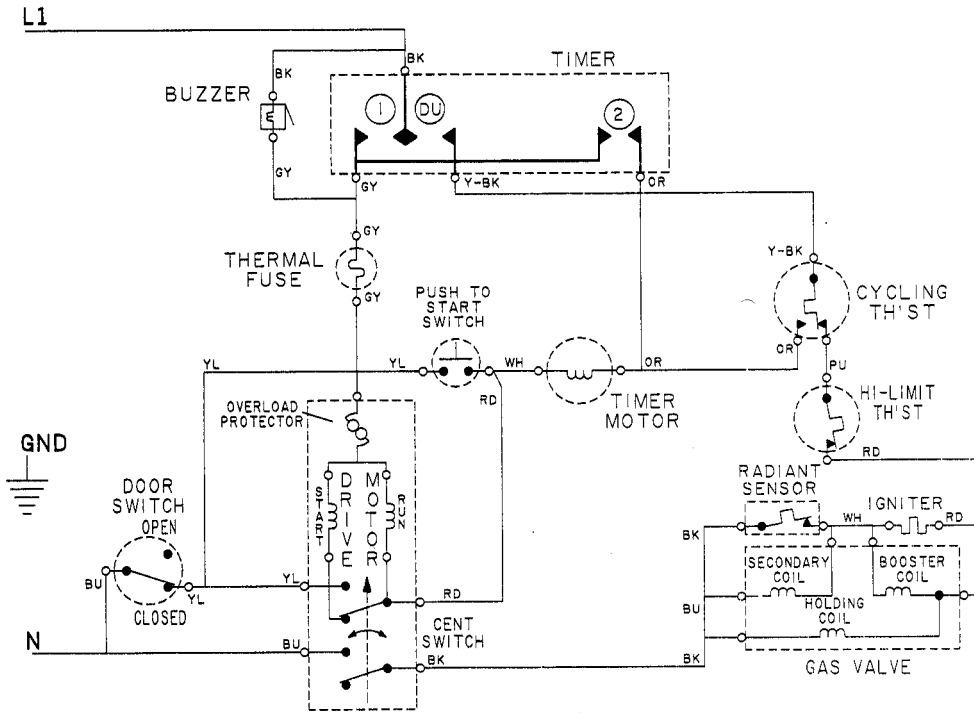
ELECTRICAL WIRING DIAGRAM

6 3158240 1054VD-1193

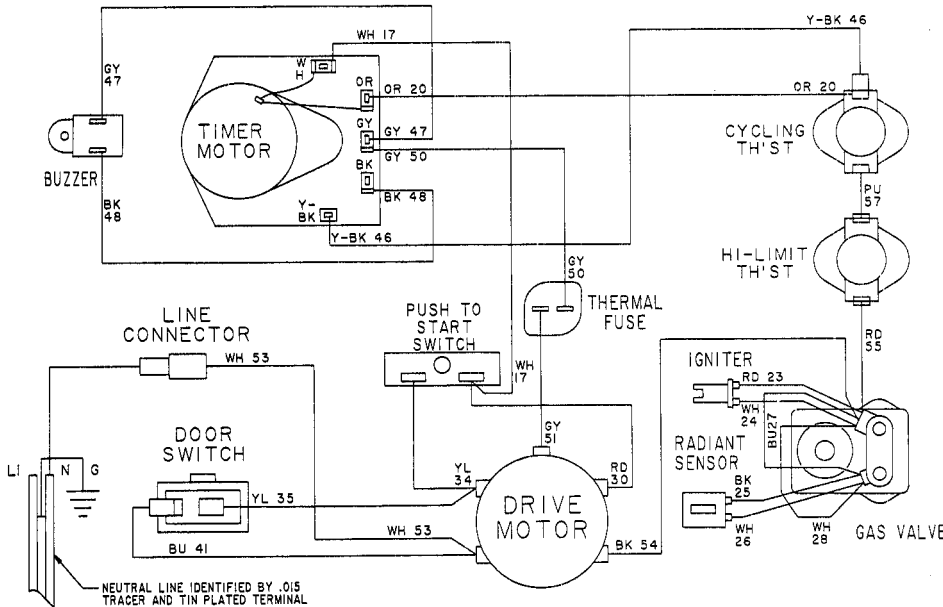
Refer to wiring diagram supplied with unit before attempting service.

LDG5004

CAM INFORMATION AND CONTACT DATA			PERM PRESS	TIME DRY	AIR FLUFF	REGULAR FABRICS
CONTACT NO.	CIRCUITS	FUNCTION				
DU	BK-YB	HEATER				
1	BK-GY	DRIVE MOTOR				
2	BK-OR	TIMER MOTOR				



ELECTRICAL SCHEMATIC



ELECTRICAL WIRING DIAGRAM

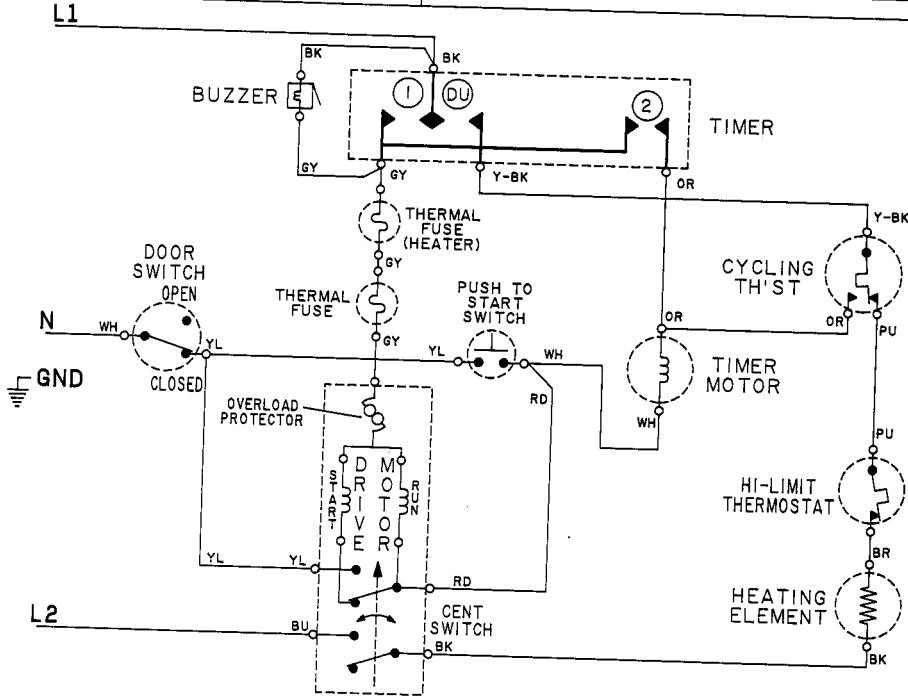
974VD-0393

3156080

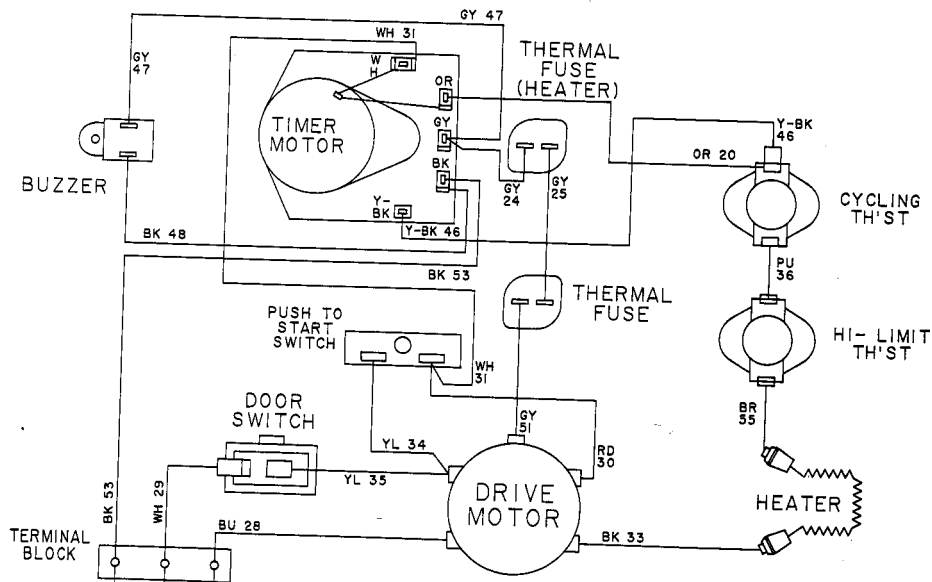
Refer to wiring diagram supplied with unit before attempting service.

LDE5004 CANADA

CAM INFORMATION AND CONTACT DATA			OFF	OFF	OFF	OFF	OFF
CONTACT No.	CIRCUITS	FUNCTION	PERM PRESS	TIME DRY	AIR FLUFF	REGULAR FABRICS	
DU	BK-YB	HEATER	■	■	■	■	■
1	BK-GY	DRIVE MOTOR	■	■	■	■	■
2	GY-OR	TIMER MOTOR	■	■	■	■	■



ELECTRICAL SCHEMATIC



ELECTRICAL WIRING DIAGRAM 1134VD-0294

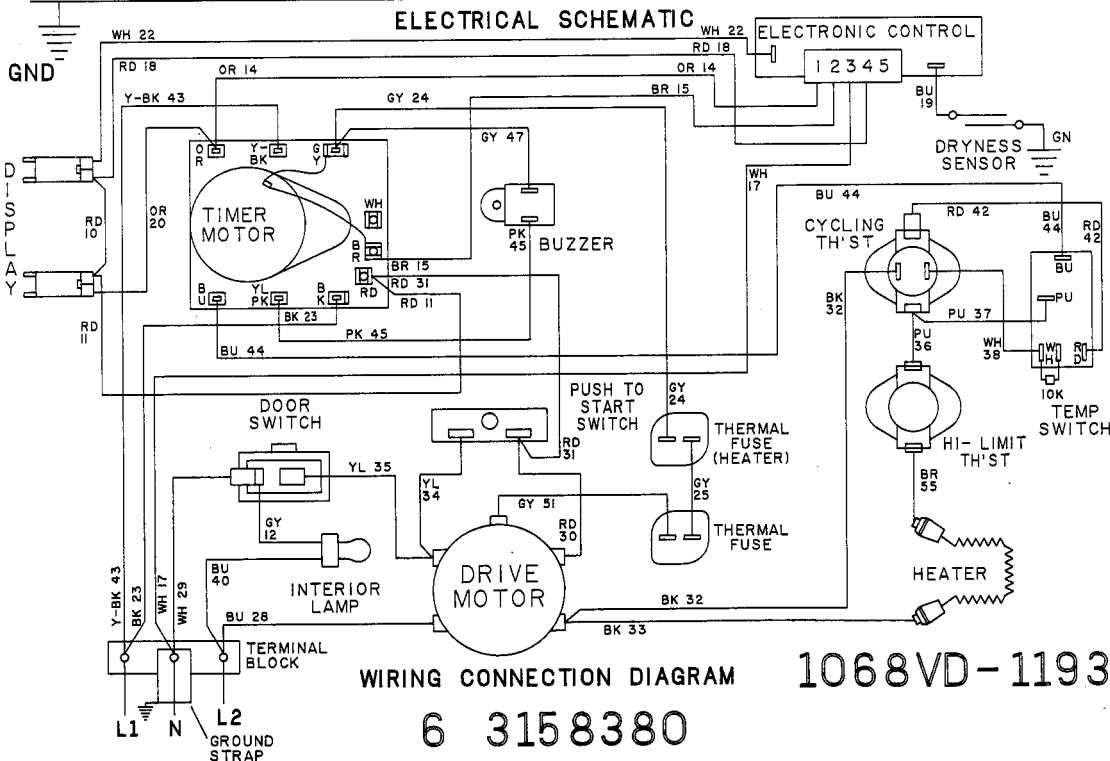
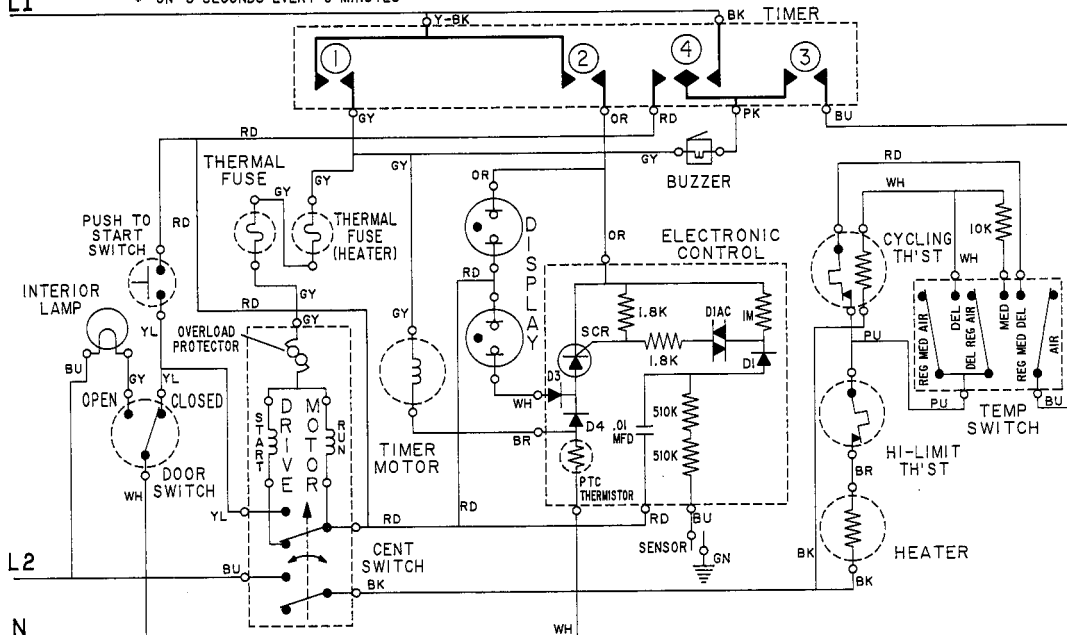
6 3159060

Refer to wiring diagram supplied with unit before attempting service.

LDE5914

CAM INFORMATION AND CONTACT DATA			REG FABRIC	O.L.L.	PERM PRESS	O.L.L.	TIME DRY	O.L.L.
CAM NO.	CIRCUITS	FUNCTION						
①	Y-BK-GY	DRIVE MOTOR	■	■	■	■	■	■
②	Y-BK-OR	ELECTRONIC CONTROL	■	■	■	■	■	■
③	BK-BU	HEATER	■	■	■	■	■	■
④	BK-PK	BUZZER/HEATER	■	■	■	■	■	■
	PK-RD	PERM PRESS BUZZER *	■	■	■	■	■	■

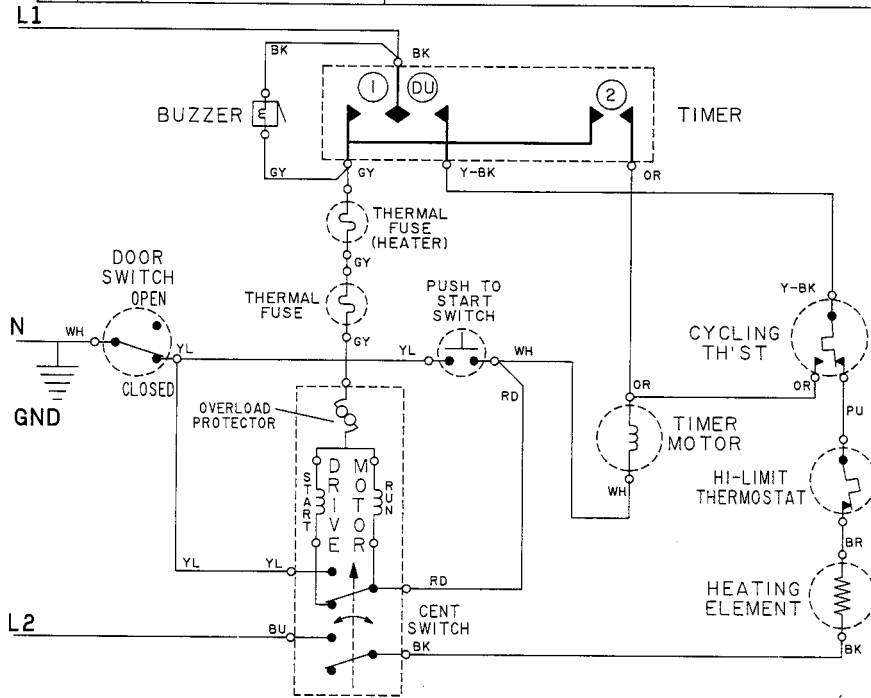
L1 *ON* 5 SECONDS EVERY 5 MINUTES



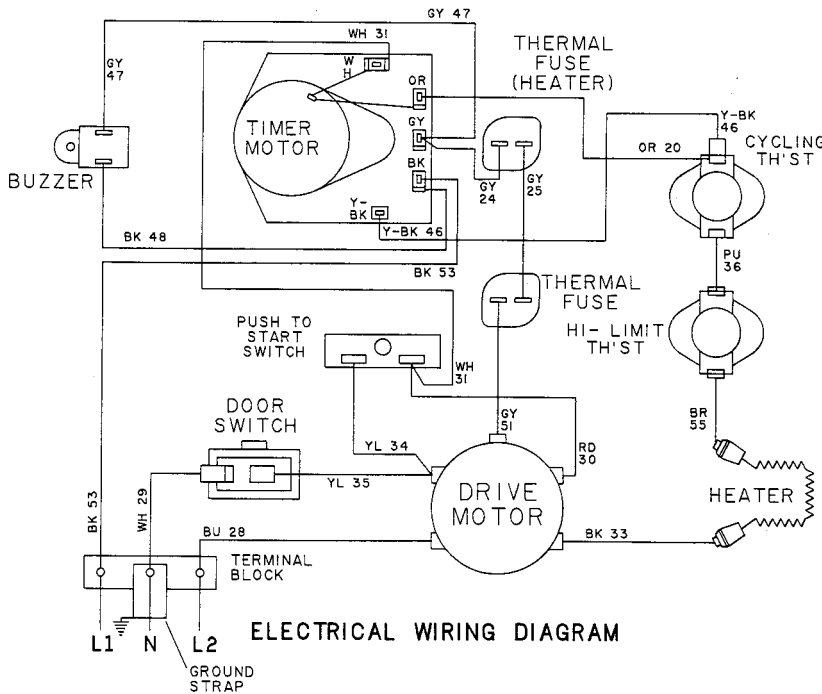
Refer to wiring diagram supplied with unit before attempting service.

LDE6004

CAM INFORMATION AND CONTACT DATA			REGULAR FABRIC	AIR FLUFF	PERM PRESS
CONTACT NO.	CIRCUITS	FUNCTION	O/F	O/F	O/F
DU	BK-YB	HEATER			
1	BK-GY	DRIVE MOTOR			
2	GY-OR	TIMER MOTOR			



ELECTRICAL SCHEMATIC



ELECTRICAL WIRING DIAGRAM

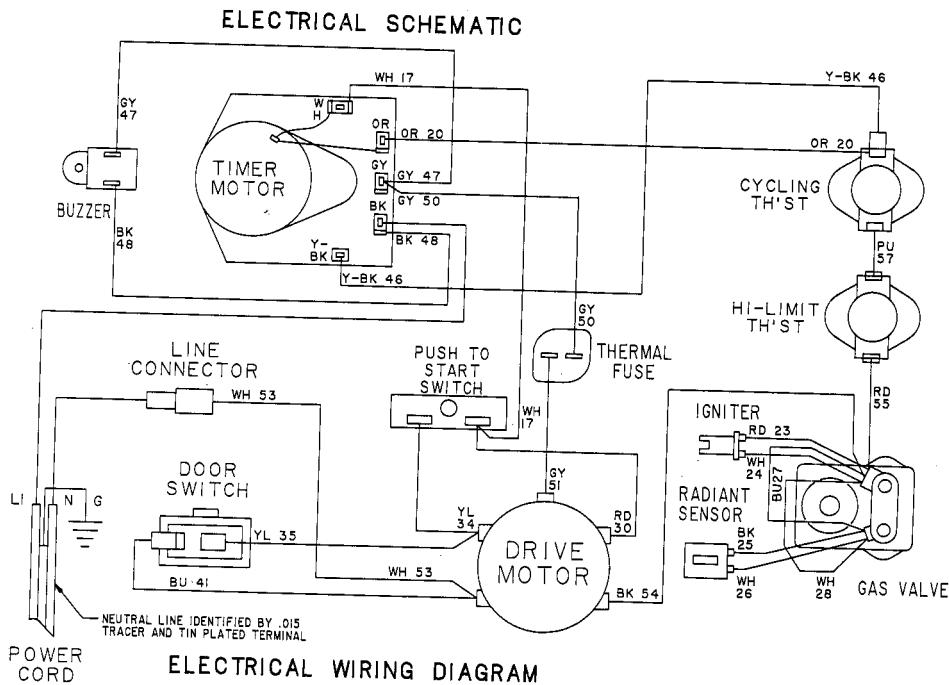
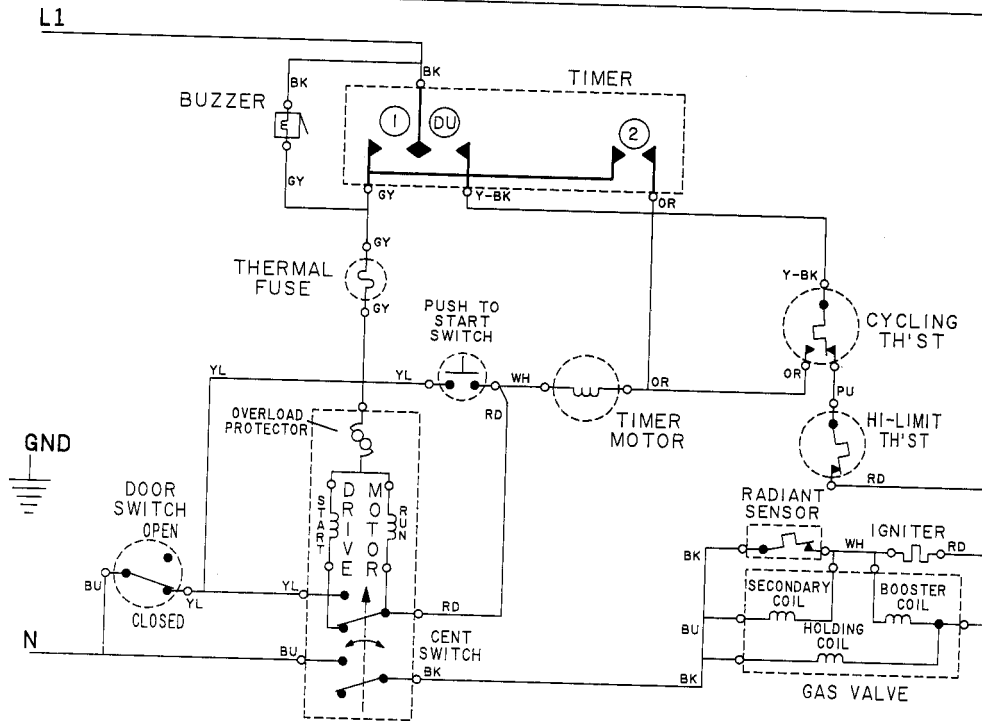
950VD-0393

3155840

Refer to wiring diagram supplied with unit before attempting service.

LDG6004

CAM INFORMATION AND CONTACT DATA			REGULAR FABRICS	AIR FLUFF	PERM PRESS
CONTACT NO.	CIRCUITS	FUNCTION			
DU	BK-YB	HEATER	■	■	■
1	BK-GY	DRIVE MOTOR	■	■	■
2	BK-OR	TIMER MOTOR	■	■	■



973VD-0393

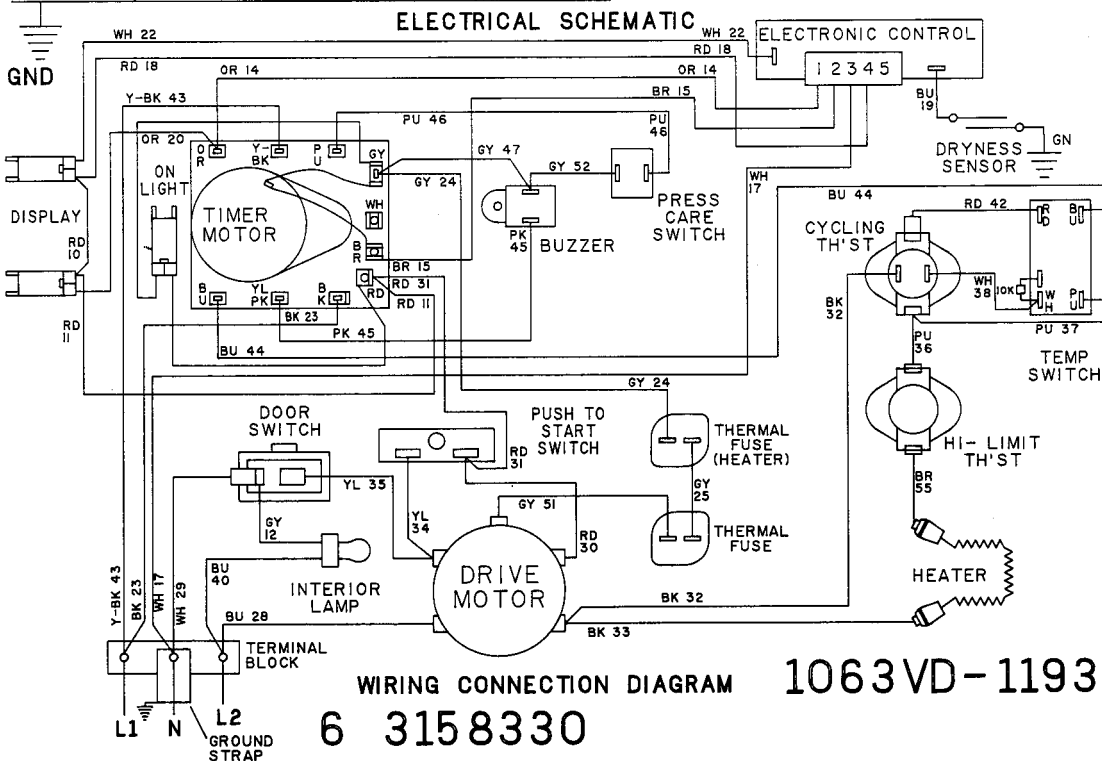
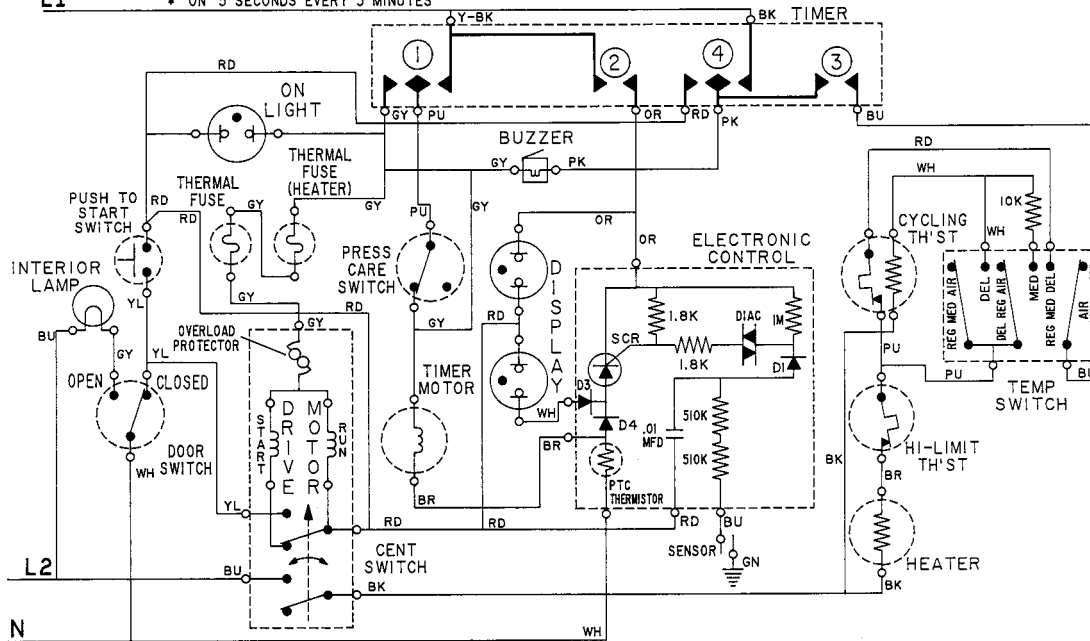
3156070

Refer to wiring diagram supplied with unit before attempting service.

LDE6914 / LDE9824

CAM INFORMATION AND CONTACT DATA			REG FABRIC	OFF	PERM PRESS	PRESS CARE	OFF	TIME DRY
CAM NO.	CIRCUITS	FUNCTION						
①	Y-BK-PU Y-BK-GY	PRESS CARE DRIVE MOTOR	■	■	■	■	■	■
②	Y-BK-OR	ELECTRONIC CONTROL	■	■	■	■	■	■
③	BK-BU	HEATER	■	■	■	■	■	■
④	BK-PK PK-RD	BUZZER/HEATER PERM PRESS BUZZER *	■	■	■	■	■	■

L1

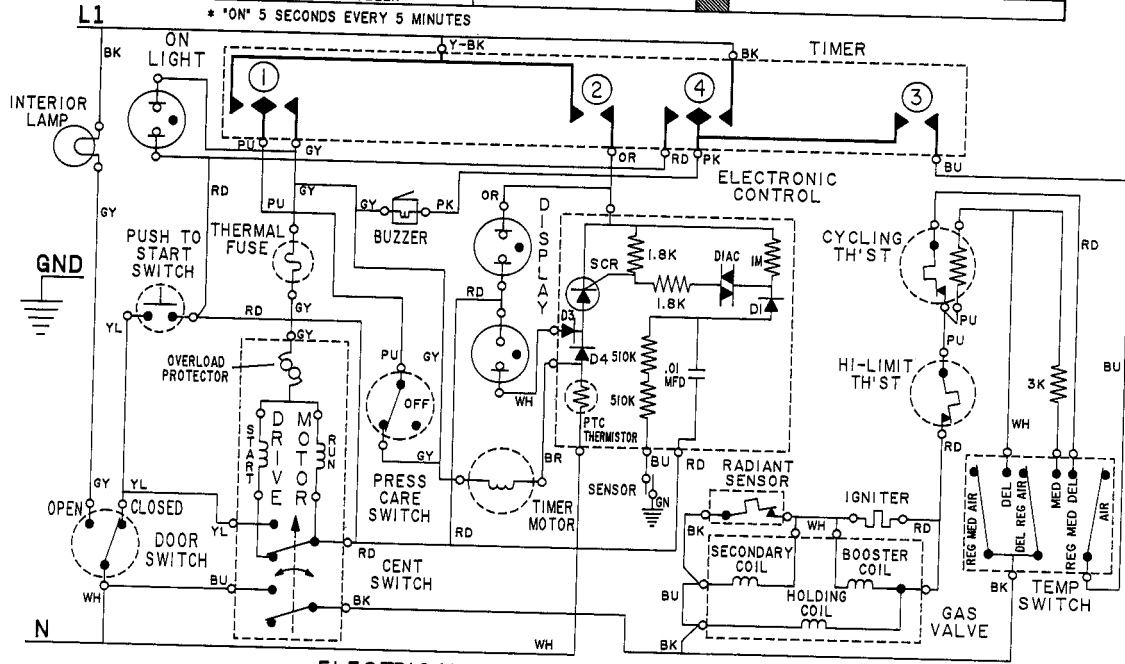


WIRING CONNECTION DIAGRAM 1063VD-1193
6 3158330

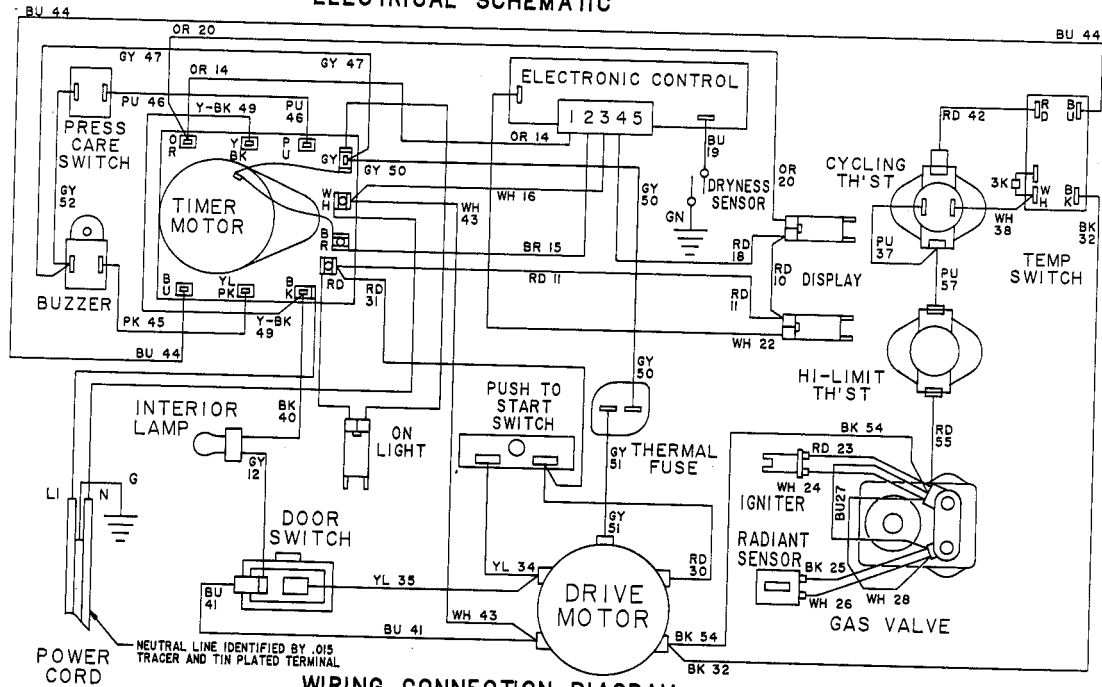
Refer to wiring diagram supplied with unit before attempting service.

LDG6914 / LDG9824

CAM INFORMATION AND CONTACT DATA							
CAM NO.	CIRCUITS	FUNCTION	REG FABRIC	PERM PRESS	PRESS CARE	TIME DRY	DRY
1	Y-BK-PU Y-BK-GY	PRESS CARE DRIVE MOTOR					
2	Y-BK-OR	ELECTRONIC CONTROL					
3	BK-BU	HEATER					
4	BK-PK PK-RD	BUZZER/HEATER PERM PRESS BUZZER *					



ELECTRICAL SCHEMATIC



WIRING CONNECTION DIAGRAM

6 3158120 1042VD-1193

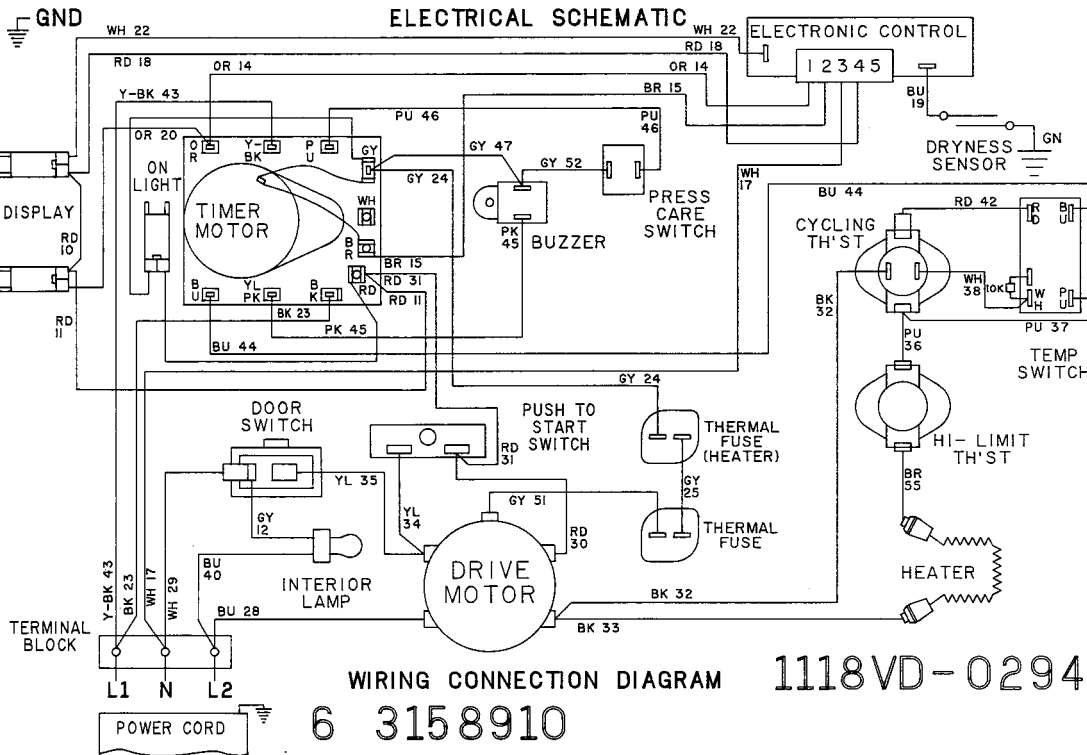
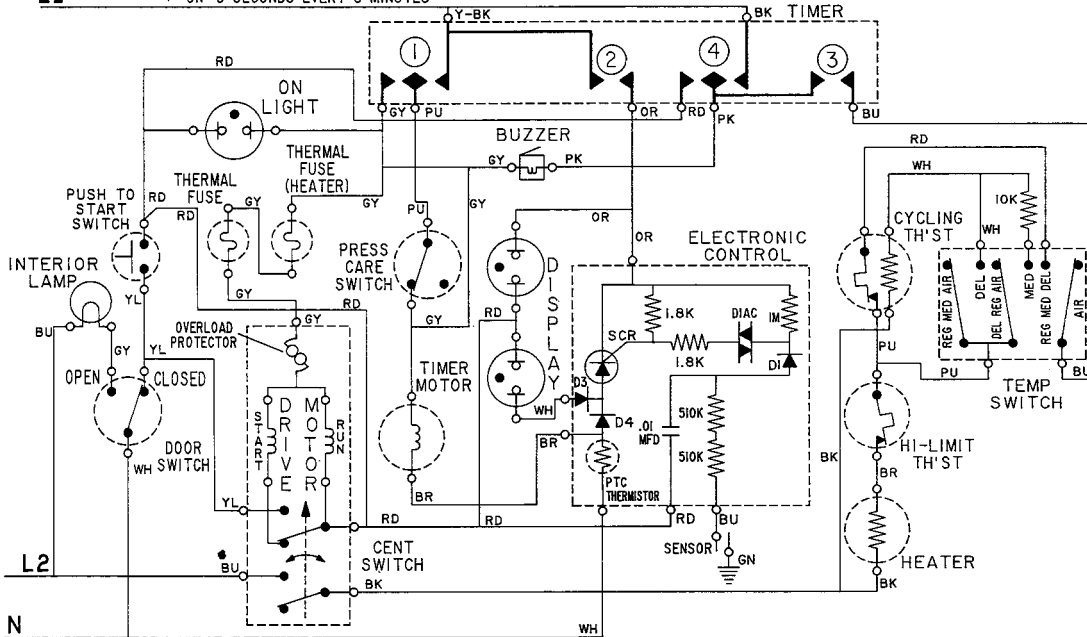
Refer to wiring diagram supplied with unit before attempting service.

LDE9824 CANADA

CAM INFORMATION AND CONTACT DATA			REG FABRIC	OFF	PERM PRESS	PRESS CARE	OFF	TIME DRY
CAM NO.	CIRCUITS	FUNCTION						
①	Y-BK-PU Y-BK-GY	PRESS CARE DRIVE MOTOR	■	■	■	■	■	■
②	Y-BK-OR	ELECTRONIC CONTROL	■	■	■	■	■	■
③	BK-BU	HEATER	■	■	■	■	■	■
④	BK-PK PK-RD	BUZZER/HEATER PERM PRESS BUZZER *	■	■	■	■	■	■

L1

* *ON* 5 SECONDS EVERY 5 MINUTES

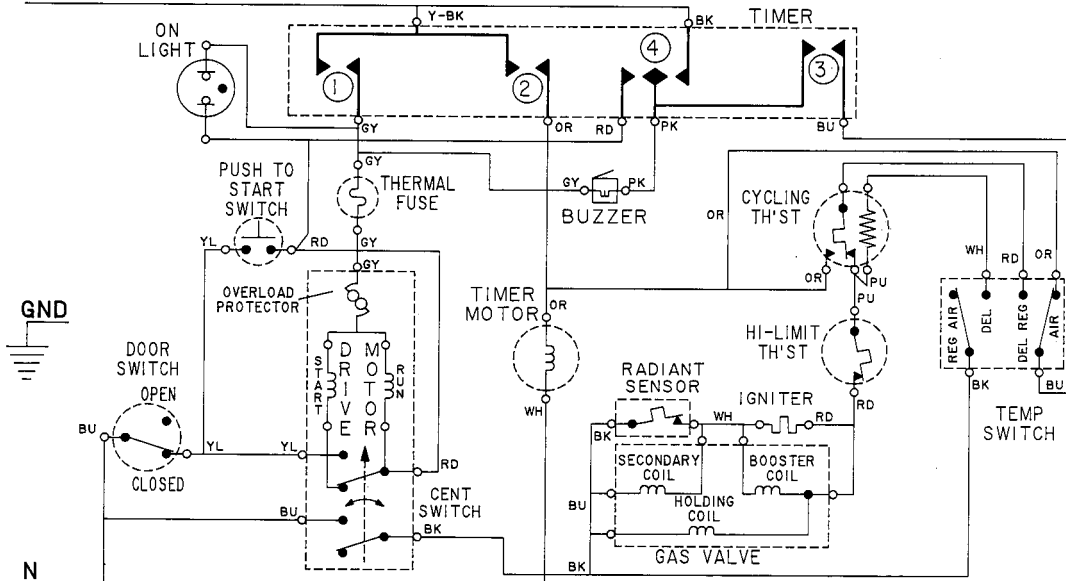


Refer to wiring diagram supplied with unit before attempting service.

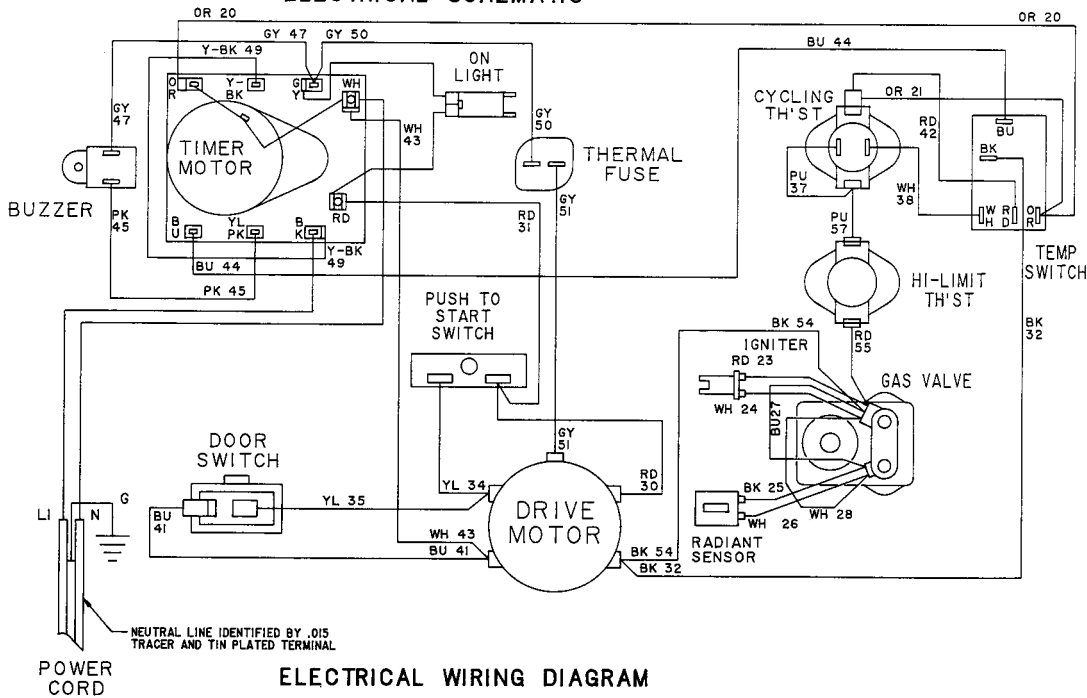
LDG7304

CAM INFORMATION AND CONTACT DATA			PERM PRESS	OFF	REG FABRIC	OFF	TIME DRY	OFF
CONTACT NO.	CIRCUITS	FUNCTION						
①	YB-GY	DRIVE MOTOR	█					
②	YB-OR	TIMER MOTOR		█				
③	BK-BU	HEATER			█			
④	PK-BK PK-RD	BUZZER/HEATER BUZZER/PULSER *				█		

L1 *ON* 5 SECONDS EVERY 5 MINUTES



ELECTRICAL SCHEMATIC



ELECTRICAL WIRING DIAGRAM

6 3158260 1056VD-1193

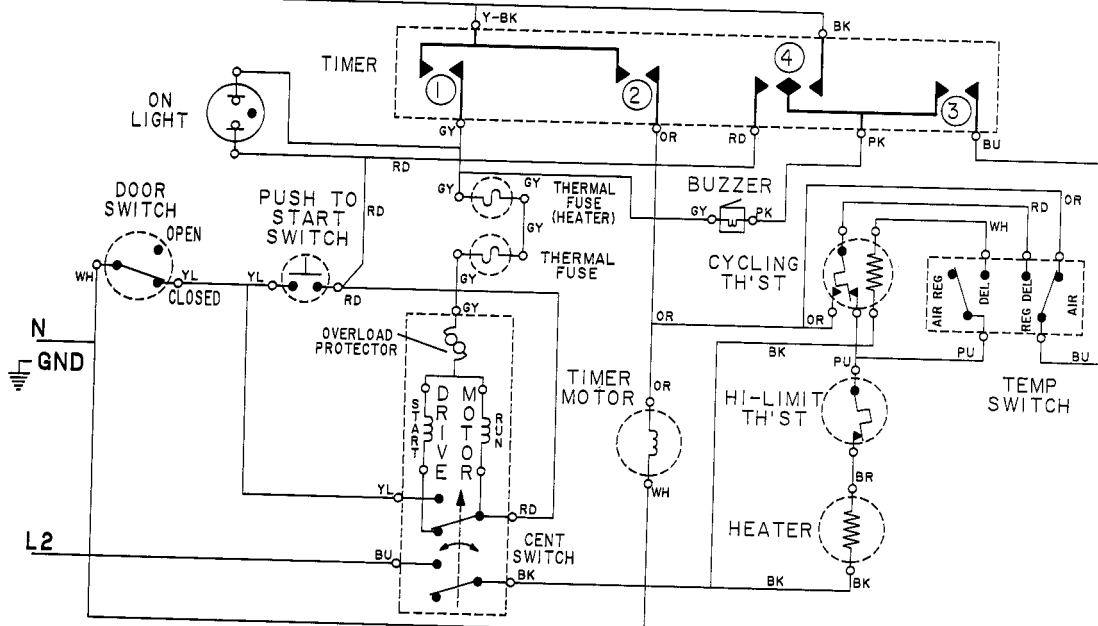
Refer to wiring diagram supplied with unit before attempting service.

LDE7304 CANADA

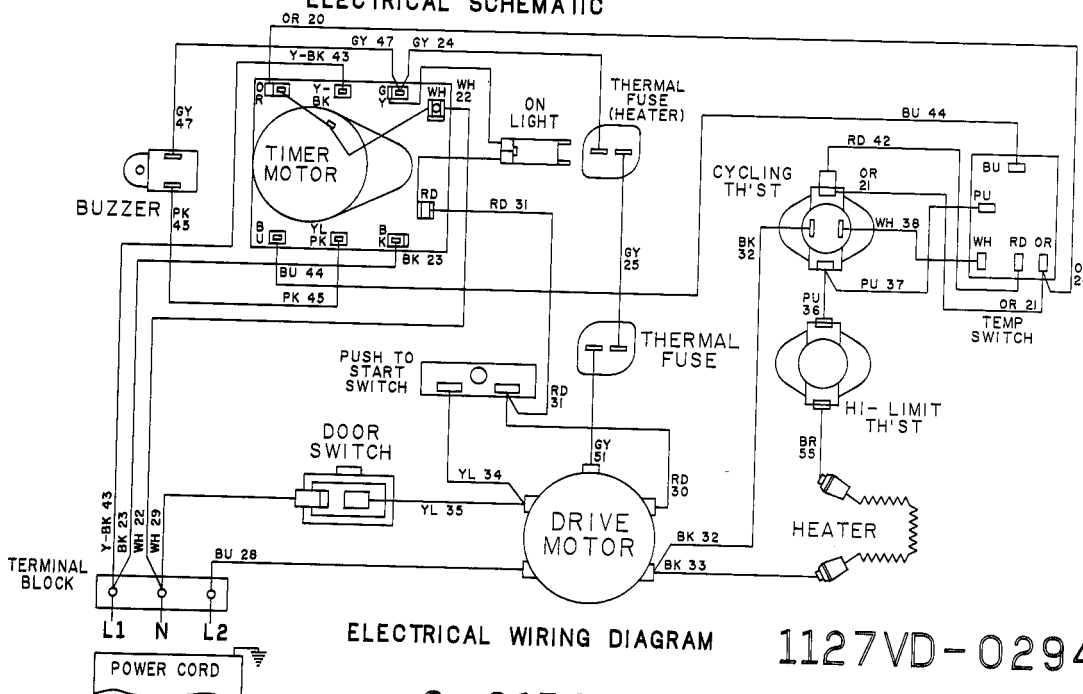
CAM INFORMATION AND CONTACT DATA				PERM PRESS	REG FABRIC	TIME DRY
CONTACT NO.	CIRCUITS	FUNCTION				
①	YB-GY	DRIVE MOTOR				
②	YB-OR	TIMER MOTOR				
③	BK-BU	HEATER				
④	PK-BK PK-RD	BUZZER/HEATER BUZZER/PULSER *				

L1

* 'ON' 5 SECONDS EVERY 5 MINUTES



ELECTRICAL SCHEMATIC



ELECTRICAL WIRING DIAGRAM

1127VD-0294

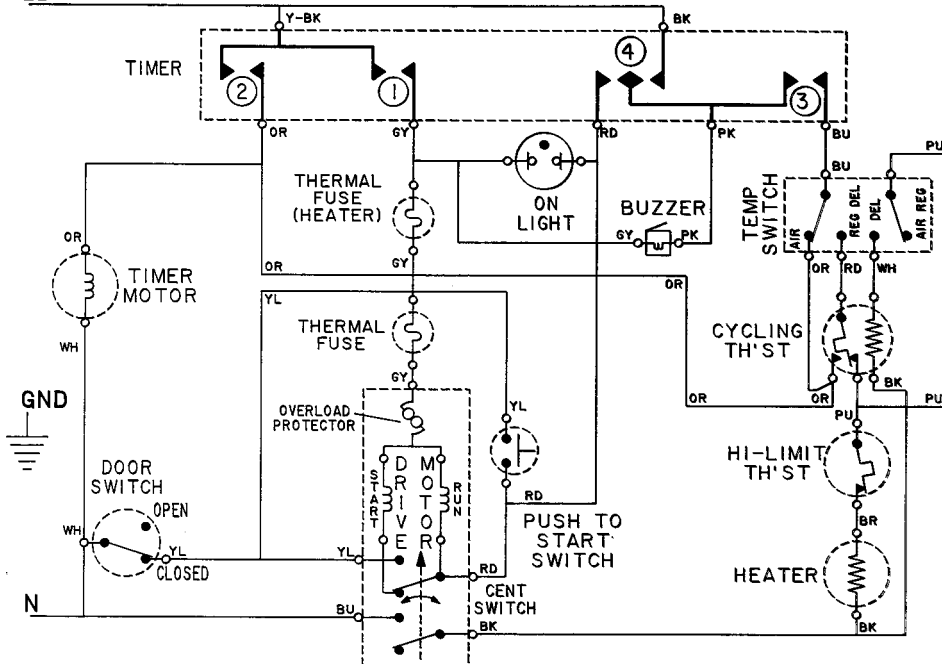
6 3159000

Refer to wiring diagram supplied with unit before attempting service.

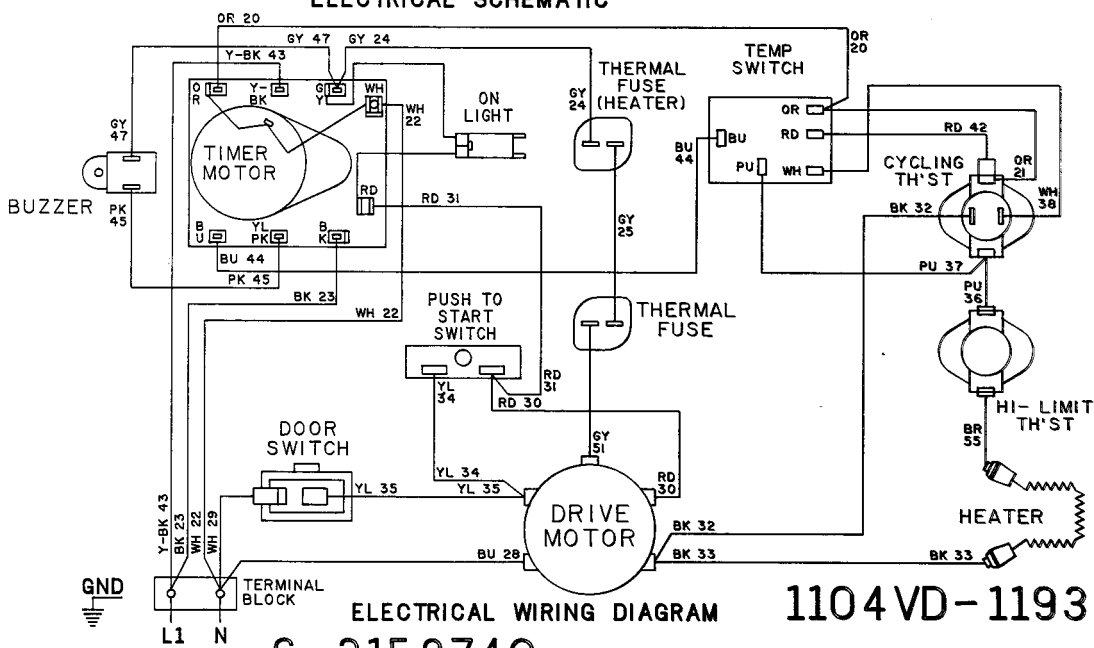
LDE7304 EXPORT

CAM INFORMATION AND CONTACT DATA			PERM PRESS	OFF	REG FABRICS	OFF	TIME DRY	OFF
CONTACT NO.	CIRCUITS	FUNCTION						
①	YB-GY	DRIVE MOTOR	■	■	■	■	■	■
②	YB-OR	TIMER MOTOR	■	■	■	■	■	■
③	BK-BU	HEATER	■	■	■	■	■	■
④	PK-BK PK-RD	BUZZER/HEATER BUZZER/PULSER *	■	■	■	■	■	■

L1 * *ON* 5 SECONDS EVERY 5 MINUTES



ELECTRICAL SCHEMATIC



ELECTRICAL WIRING DIAGRAM

1104VD-1193

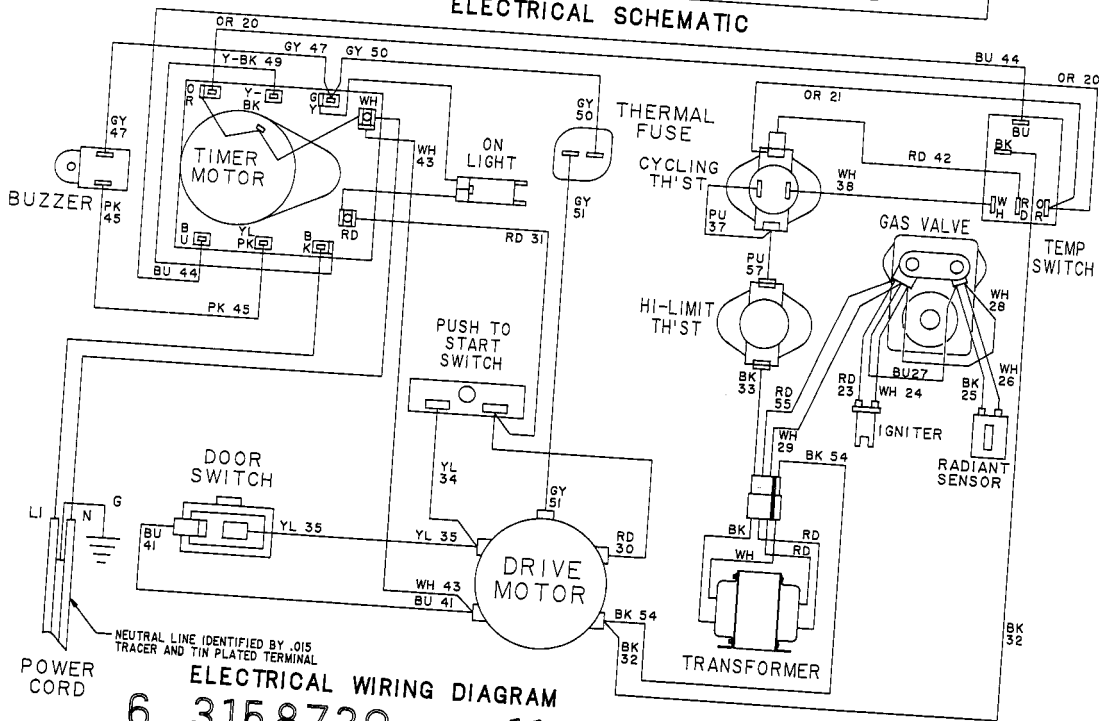
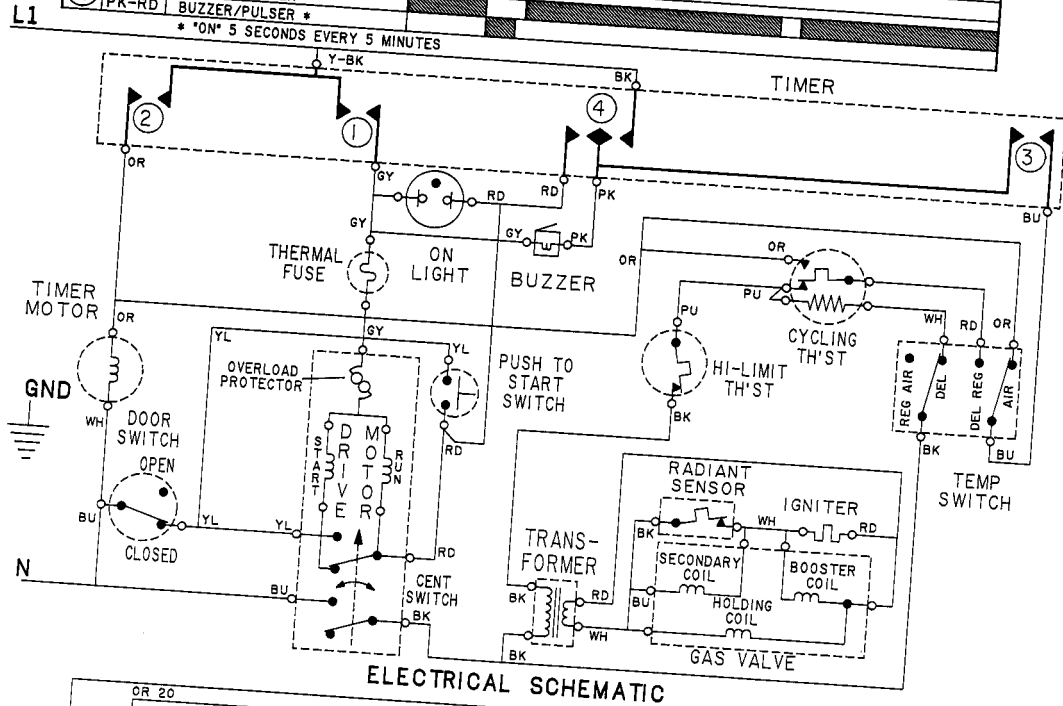
6 3158740

Refer to wiring diagram supplied with unit before attempting service.

LDG7304 EXPORT

CAM INFORMATION AND CONTACT DATA				PERM PRESS	OFF	REG FABRICS	OFF	TIME DRY	OFF
CONTACT NO.	CIRCUITS	FUNCTION							
1	YB-GY	DRIVE MOTOR							
2	YB-OR	TIMER MOTOR							
3	BK-BU	HEATER							
4	PK-BK	BUZZER/HEATER							
	PK-RD	BUZZER/PULSER *							

* ON* 5 SECONDS EVERY 5 MINUTES



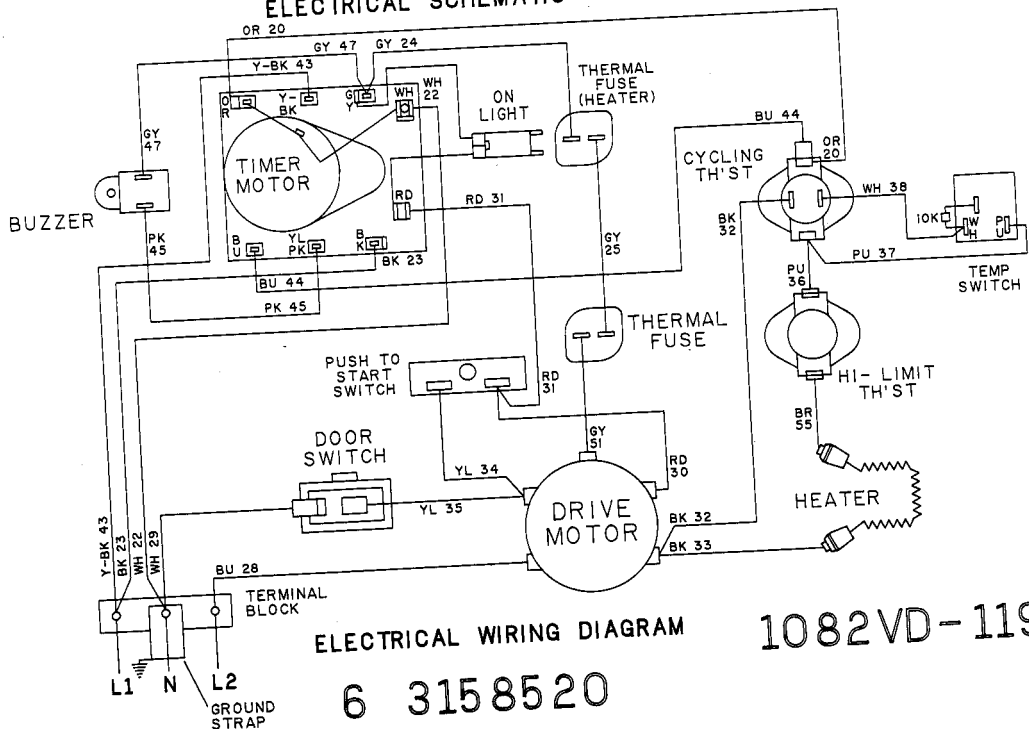
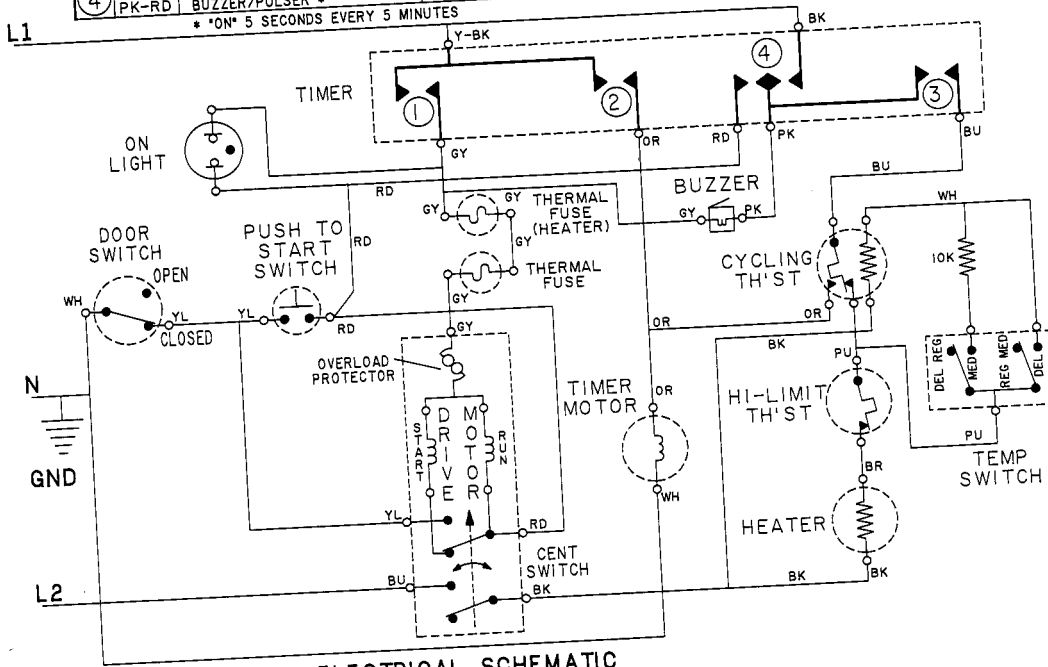
ELECTRICAL WIRING DIAGRAM
6 3158730 **1103VD-1193**

Refer to wiring diagram supplied with unit before attempting service.

16001146

LDE7314

CAM INFORMATION AND CONTACT DATA			PERM PRESS	PRESS CARE OR AIR FLUFF	O.F.F.	REG FABRIC	O.F.F.	TIME DRY	O.F.F.
CONTACT NO.	CIRCUITS	FUNCTION							
①	YB-GY	DRIVE MOTOR							
②	YB-OR	TIMER MOTOR							
③	BK-BU	HEATER							
④	PK-BK PK-RD	BUZZER/HEATER BUZZER/PULSER *							



6 3158520

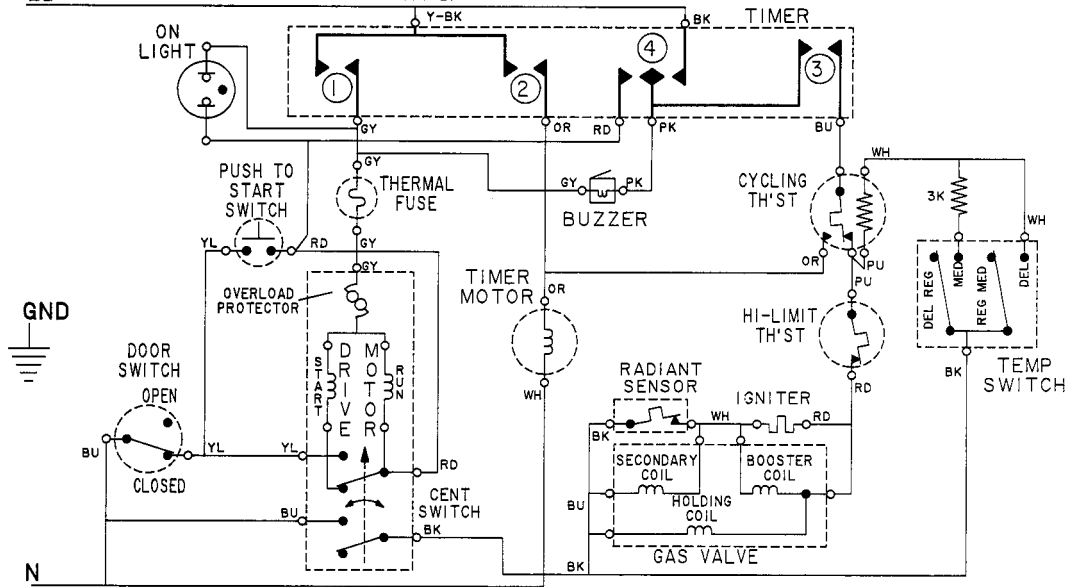
1082VD-1193

Refer to wiring diagram supplied with unit before attempting service.

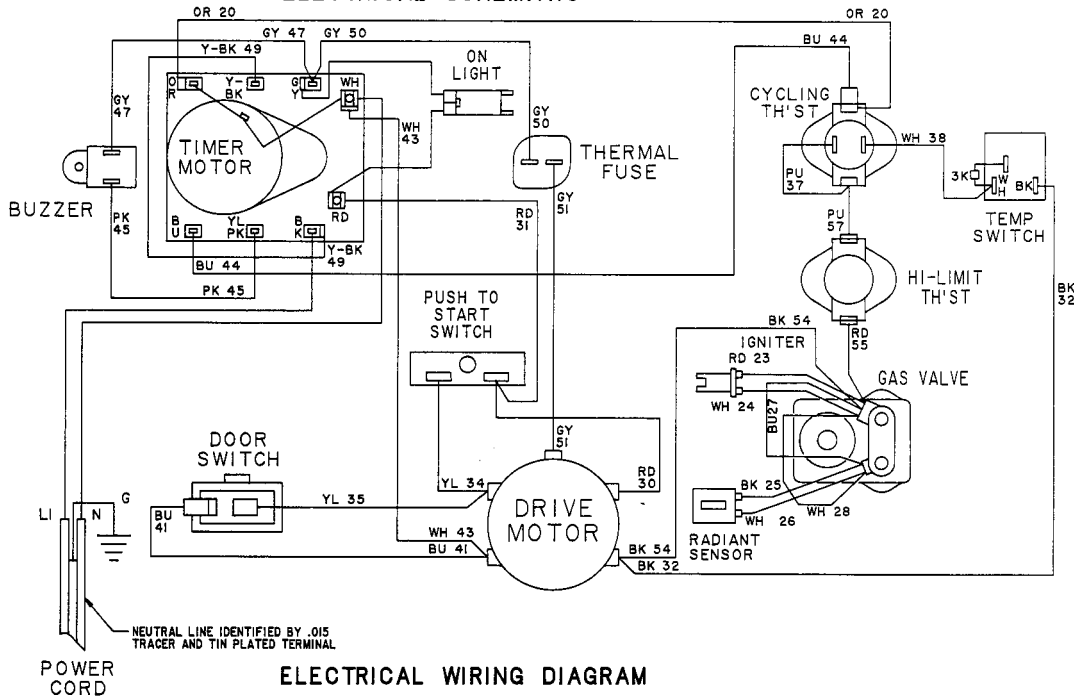
LDG7314

CAM INFORMATION AND CONTACT DATA			PERM PRESS	PRESS CARE OR AIR FLUFF	REG FABRIC	TIME DRY
CONTACT NO.	CIRCUITS	FUNCTION				
1	YB-GY	DRIVE MOTOR	■	■	■	■
2	YB-OR	TIMER MOTOR	■	■	■	■
3	BK-BU	HEATER	■	■	■	■
4	PK-BK PK-RD	BUZZER/HEATER BUZZER/PULSER *	■	■	■	■

L1 * 'ON' 5 SECONDS EVERY 5 MINUTES



ELECTRICAL SCHEMATIC



ELECTRICAL WIRING DIAGRAM

6 315 8310 1061VD-1193

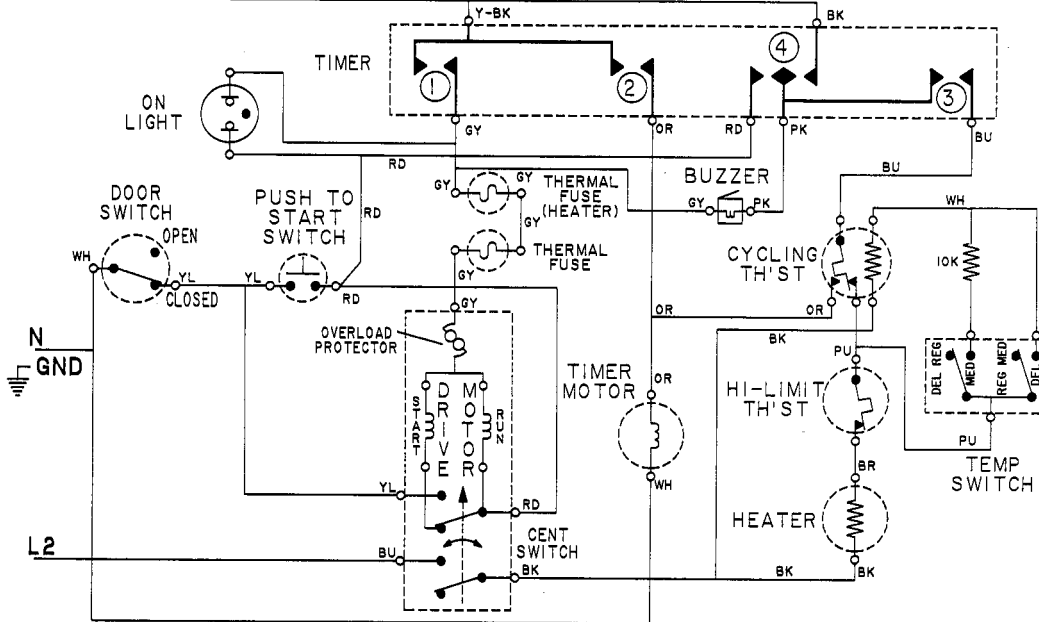
Refer to wiring diagram supplied with unit before attempting service.

LDE7314 CANADA

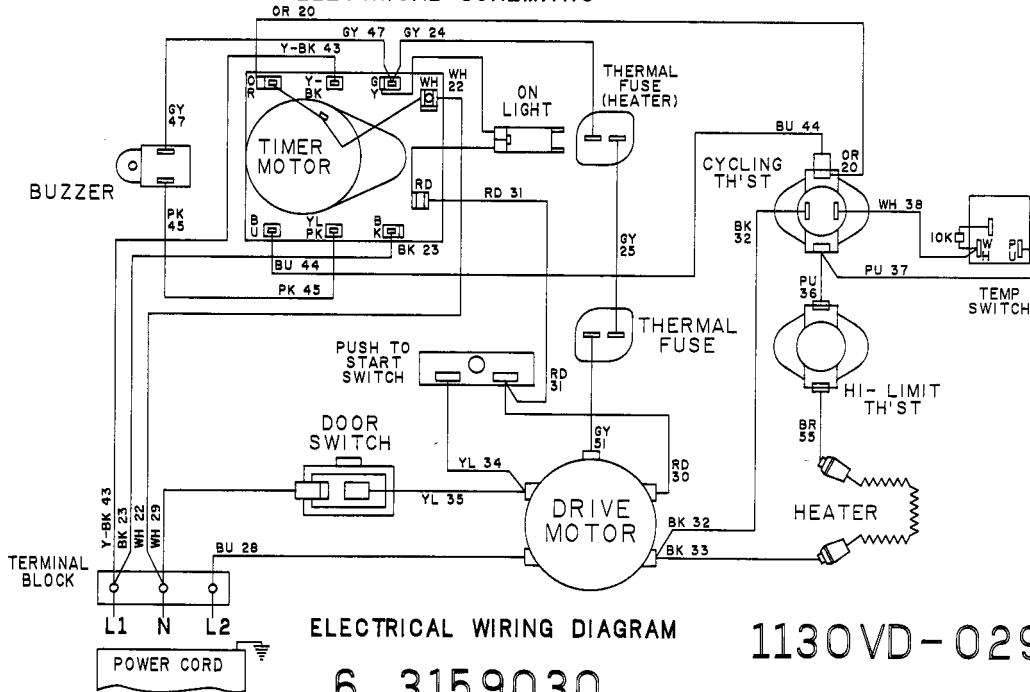
CAM INFORMATION AND CONTACT DATA			PERM PRESS	PRESS CARE OR AIR FLUFF	OFF	REG FABRIC	OFF	TIME DRY	OFF
CONTACT NO.	CIRCUITS	FUNCTION							
①	YB-GY	DRIVE MOTOR	■						
②	YB-OR	TIMER MOTOR		■					
③	BK-BU	HEATER			■				
④	PK-BK PK-RD	BUZZER/HEATER				■			

L1

* *ON* 5 SECONDS EVERY 5 MINUTES



ELECTRICAL SCHEMATIC



ELECTRICAL WIRING DIAGRAM

1130VD-0294

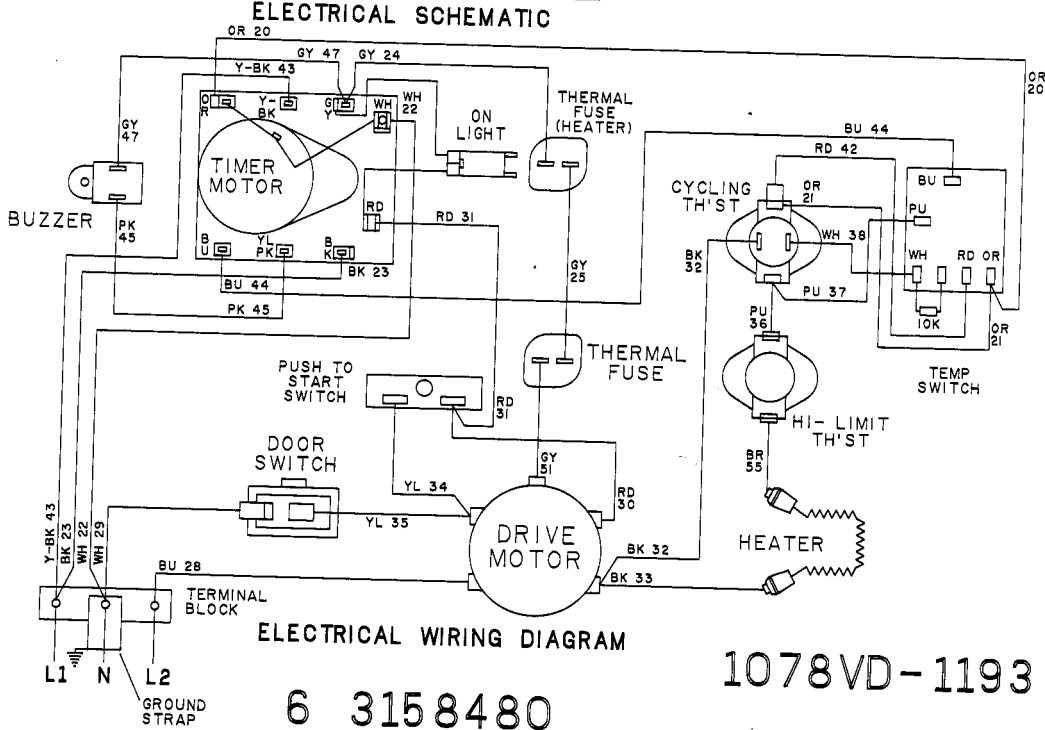
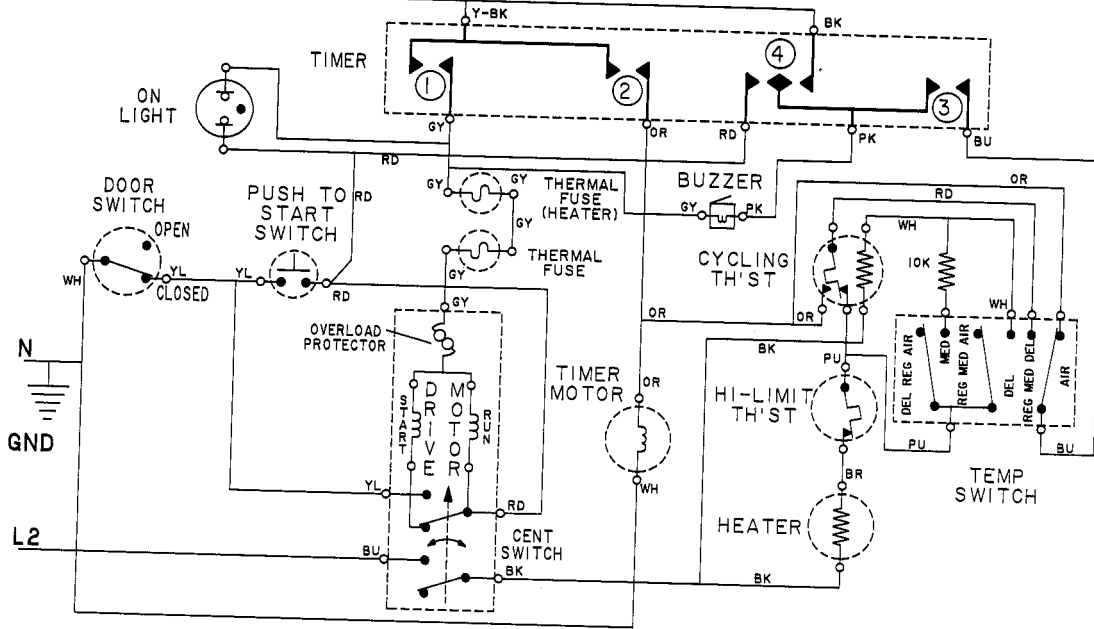
6 3159030

Refer to wiring diagram supplied with unit before attempting service.

LDE7334

CAM INFORMATION AND CONTACT DATA				PERM PRESS	OFF	REG FABRIC	OLL	TIME DRY	OLL
CONTACT NO.	CIRCUITS	FUNCTION							
①	YB-GY	DRIVE MOTOR							
②	YB-OR	TIMER MOTOR							
③	BK-BU	HEATER							
④	PK-BK PK-RD	BUZZER/HEATER BUZZER/PULSER *							

L1 * 'ON' 5 SECONDS EVERY 5 MINUTES



6 3158480

1078VD-1193

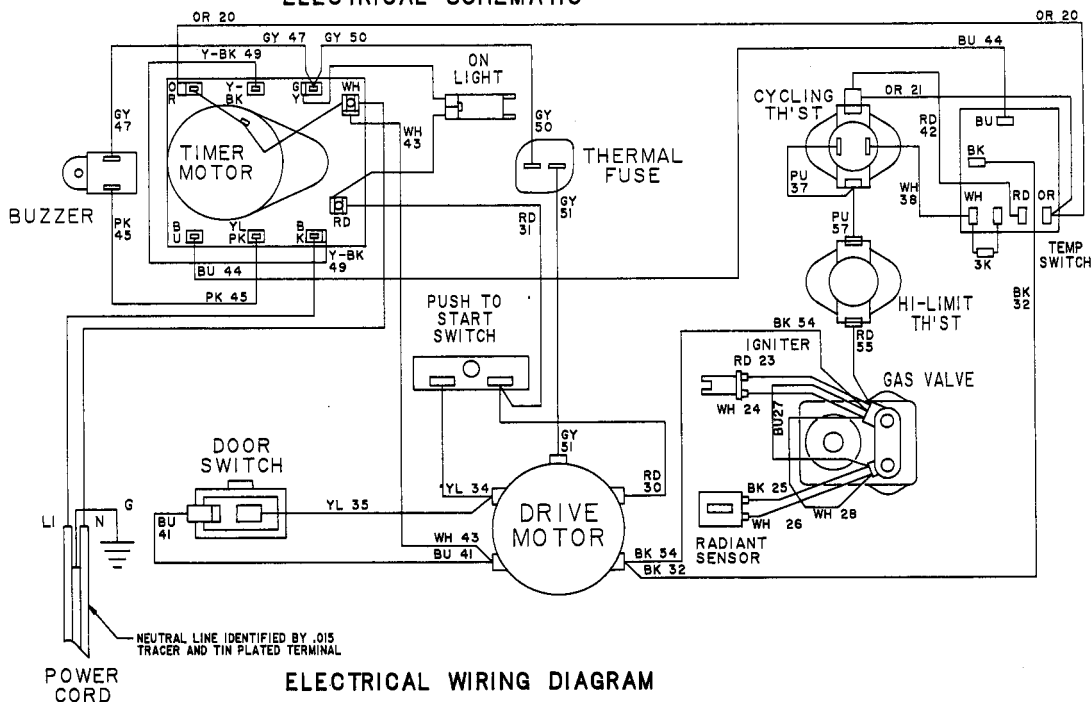
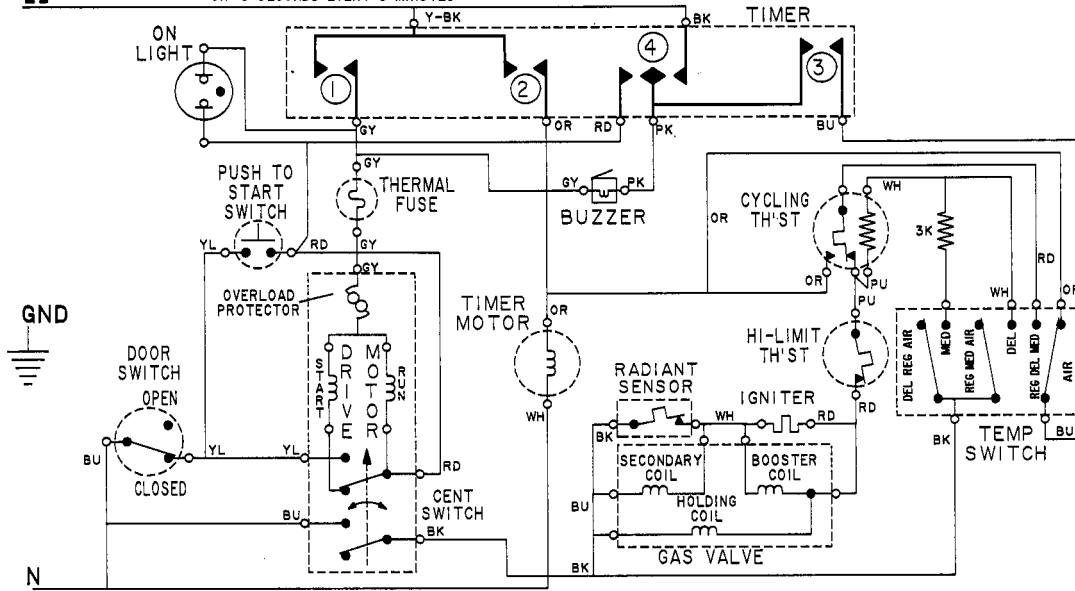
Refer to wiring diagram supplied with unit before attempting service.

LDG7334

CAM INFORMATION AND CONTACT DATA			PERM PRESS	O.F.F.	REG FABRIC	O.F.F.	TIME DRY	O.F.F.
CONTACT NO.	CIRCUITS	FUNCTION						
①	YB-GY	DRIVE MOTOR	■	■	■	■	■	■
②	YB-OR	TIMER MOTOR	■	■	■	■	■	■
③	BK-BU	HEATER	■	■	■	■	■	■
④	PK-BK	BUZZER/HEATER	■	■	■	■	■	■
	PK-RD	BUZZER/PULSER *	■	■	■	■	■	■

L1

* ON* 5 SECONDS EVERY 5 MINUTES



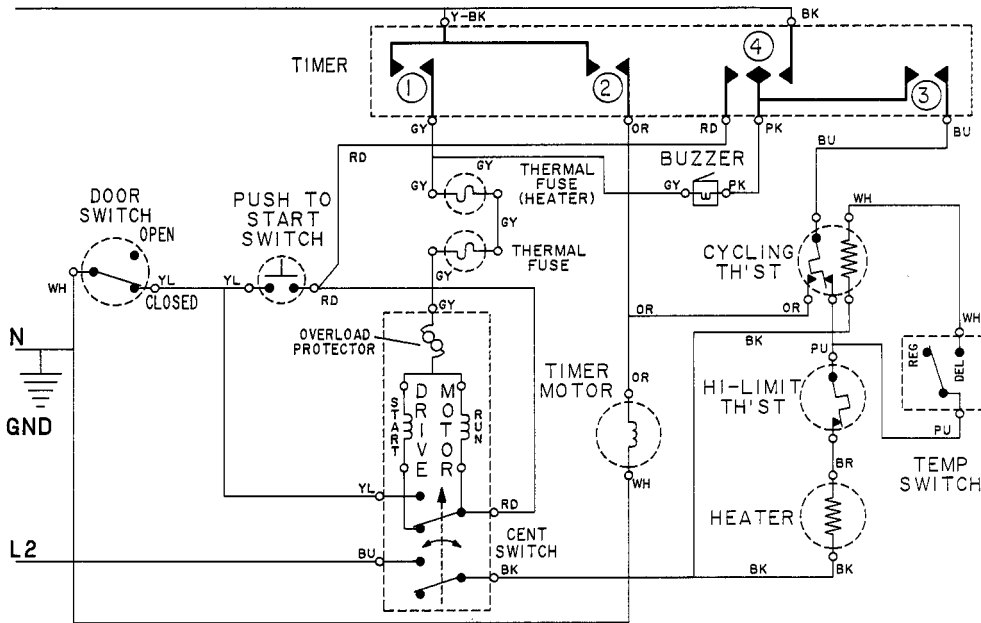
6 3158270 1057VD-1193

Refer to wiring diagram supplied with unit before attempting service.

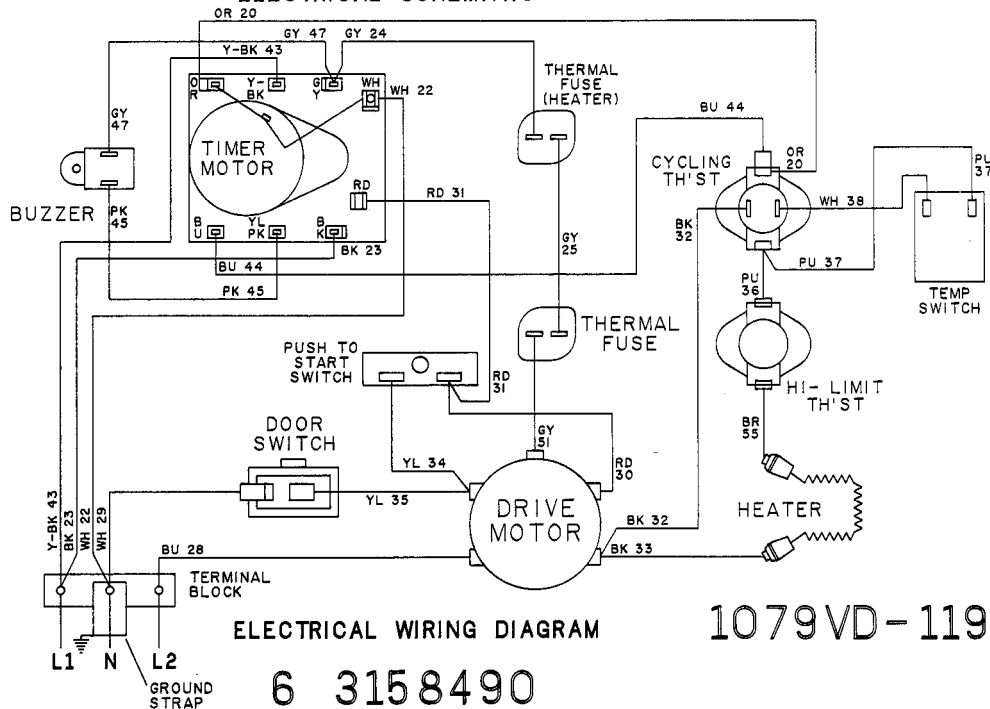
LDE8304

CAM INFORMATION AND CONTACT DATA			PERM PRESS	PRESS CARE OR AIR FLUFF	O F F	REG FABRIC	O F F	TIME DRY	PTO
CONTACT NO.	CIRCUITS	FUNCTION							
①	YB-GY	DRIVE MOTOR	■	■	■	■	■	■	■
②	YB-OR	TIMER MOTOR	■	■	■	■	■	■	■
③	BK-BU	HEATER	■	■	■	■	■	■	■
④	PK-BK PK-RD	BUZZER/HEATER BUZZER/PULSER *	■	■	■	■	■	■	■

L1 * 'ON' 5 SECONDS EVERY 5 MINUTES



ELECTRICAL SCHEMATIC



ELECTRICAL WIRING DIAGRAM

1079VD-1193

6 3158490

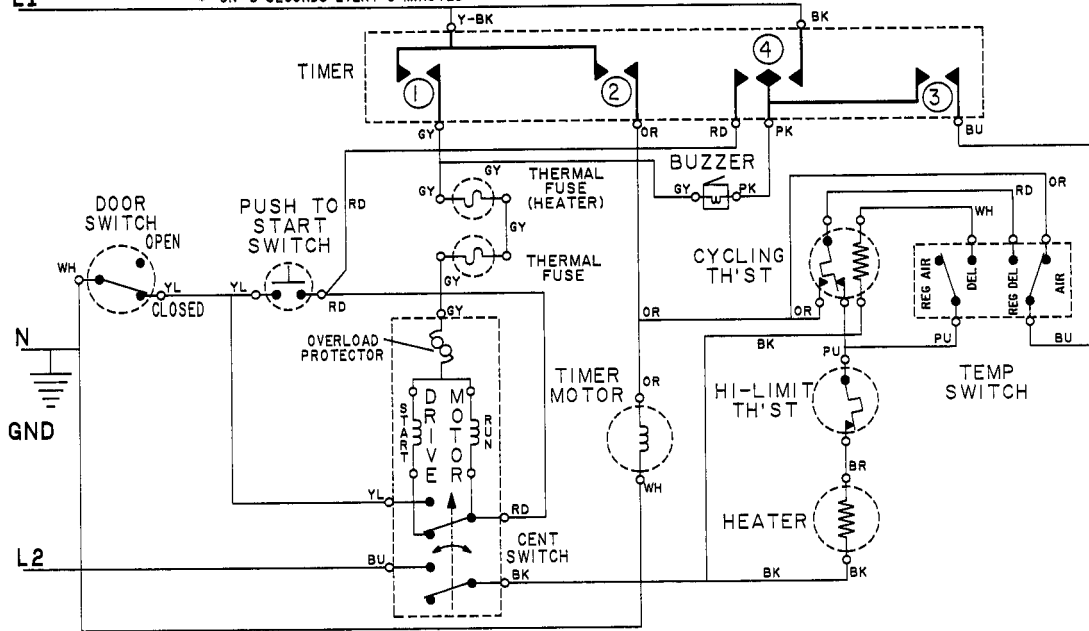
Refer to wiring diagram supplied with unit before attempting service.

LDE8404

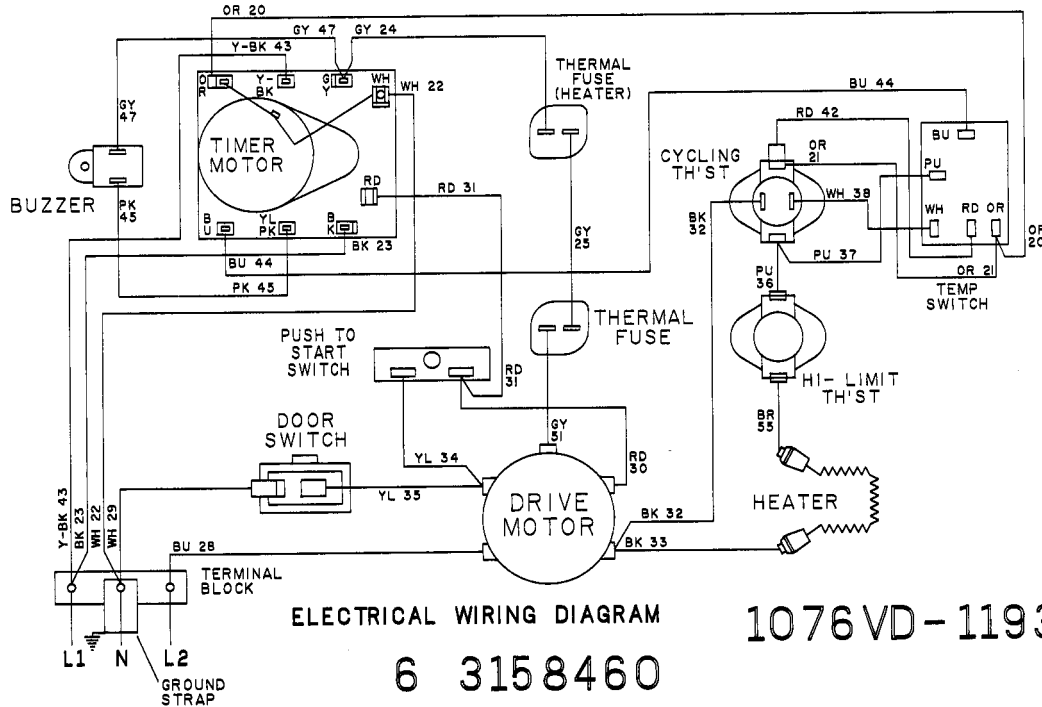
CAM INFORMATION AND CONTACT DATA		PERM PRESS	REG FABRIC	TIME DRY
CIRCUITS	FUNCTION			
① YB-GY	DRIVE MOTOR	■	■	■
② YB-OR	TIMER MOTOR	■	■	■
③ BK-BU	HEATER	■	■	■
④ PK-BK	BUZZER/HEATER	■	■	■
PK-RD	BUZZER/PULSER *	■	■	■

L1

* ON* 5 SECONDS EVERY 5 MINUTES



ELECTRICAL SCHEMATIC



ELECTRICAL WIRING DIAGRAM

1076VD-1193

6 3158460

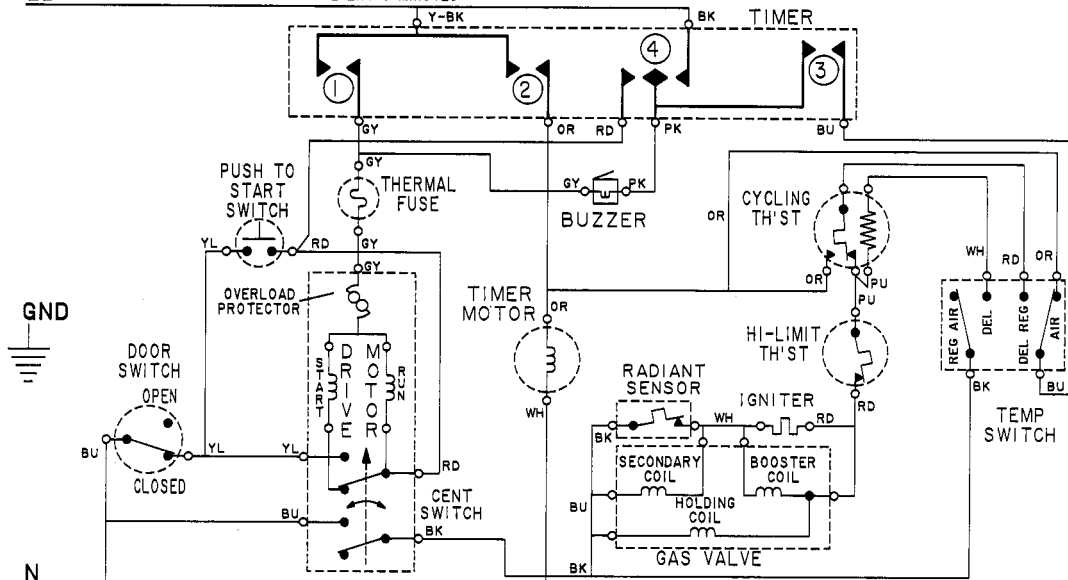
Refer to wiring diagram supplied with unit before attempting service.

LDG8404

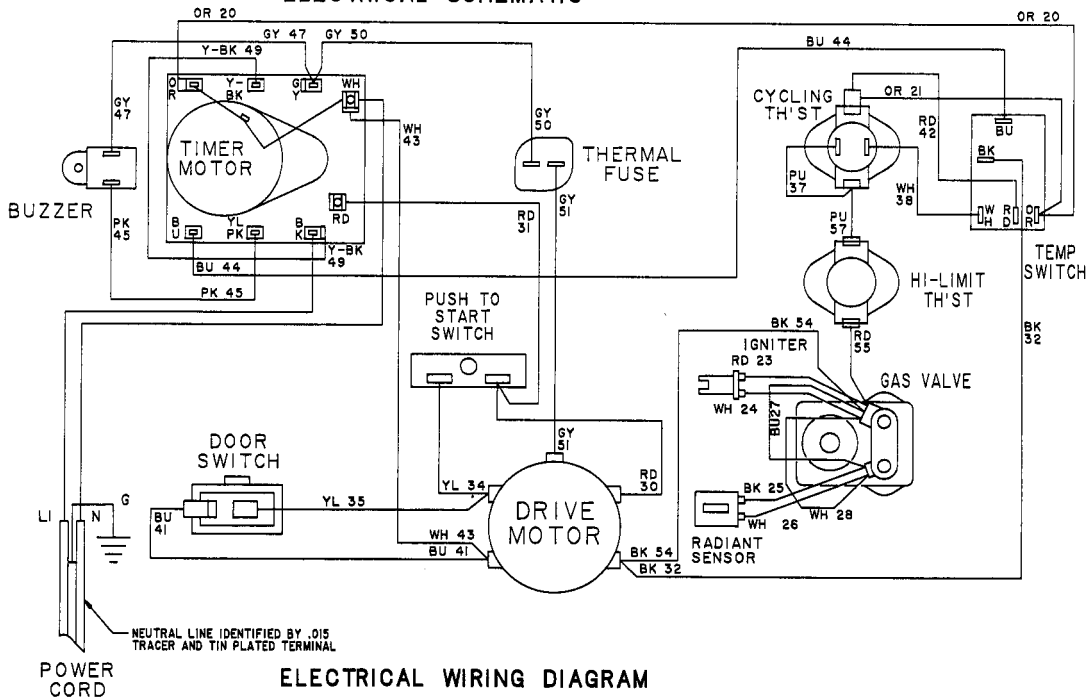
CAM INFORMATION AND CONTACT DATA			PERM PRESS	OFF	REG FABRIC	TIME DRY	TIME
CONTACT NO.	CIRCUITS	FUNCTION					
1	YB-GY	DRIVE MOTOR	■	■	■	■	■
2	YB-OR	TIMER MOTOR	■	■	■	■	■
3	BK-BU	HEATER	■	■	■	■	■
4	PK-BK	BUZZER/HEATER	■	■	■	■	■
4	PK-RD	BUZZER/PULSER *	■	■	■	■	■

L1

* *ON* 5 SECONDS EVERY 5 MINUTES



ELECTRICAL SCHEMATIC



ELECTRICAL WIRING DIAGRAM

6 3158250 1055 VD-1193

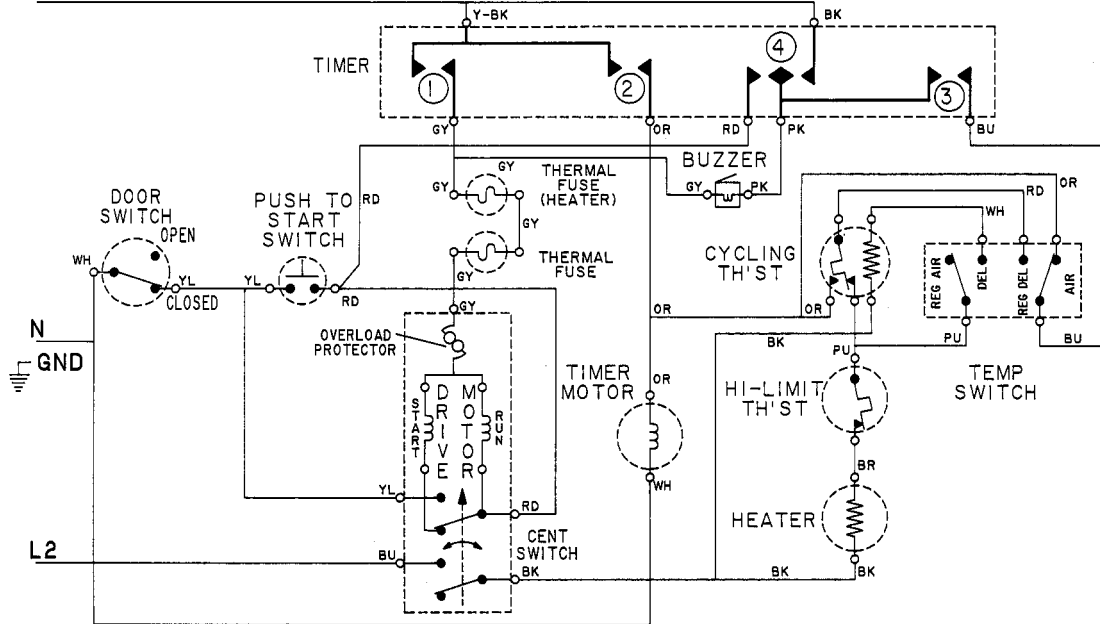
Refer to wiring diagram supplied with unit before attempting service.

LDE8404 CANADA

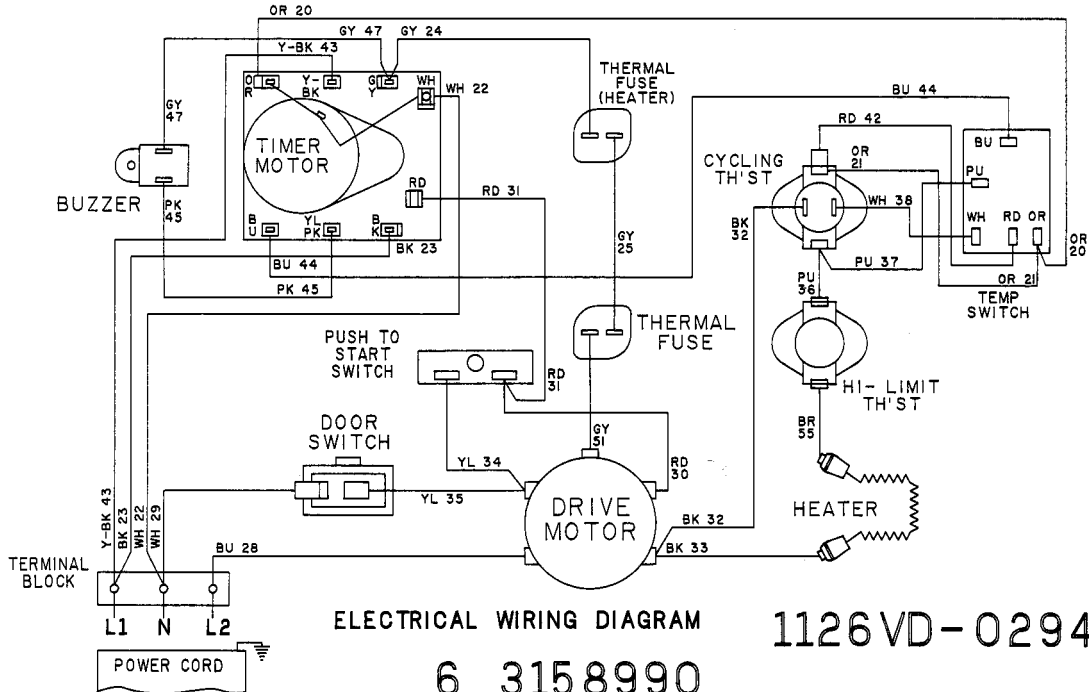
CAM INFORMATION AND CONTACT DATA			PERM PRESS	OFF	REG FABRIC	OFF	TIME DRY	OFF
CONTACT NO.	CIRCUITS	FUNCTION						
①	YB-GY	DRIVE MOTOR	■	■	■	■	■	■
②	YB-OR	TIMER MOTOR	■	■	■	■	■	■
③	BK-BU	HEATER	■	■	■	■	■	■
④	PK-BK PK-RD	BUZZER/HEATER BUZZER/PULSER *	■	■	■	■	■	■

L1

* *ON* 5 SECONDS EVERY 5 MINUTES



ELECTRICAL SCHEMATIC



ELECTRICAL WIRING DIAGRAM

1126VD-0294

6 3158990

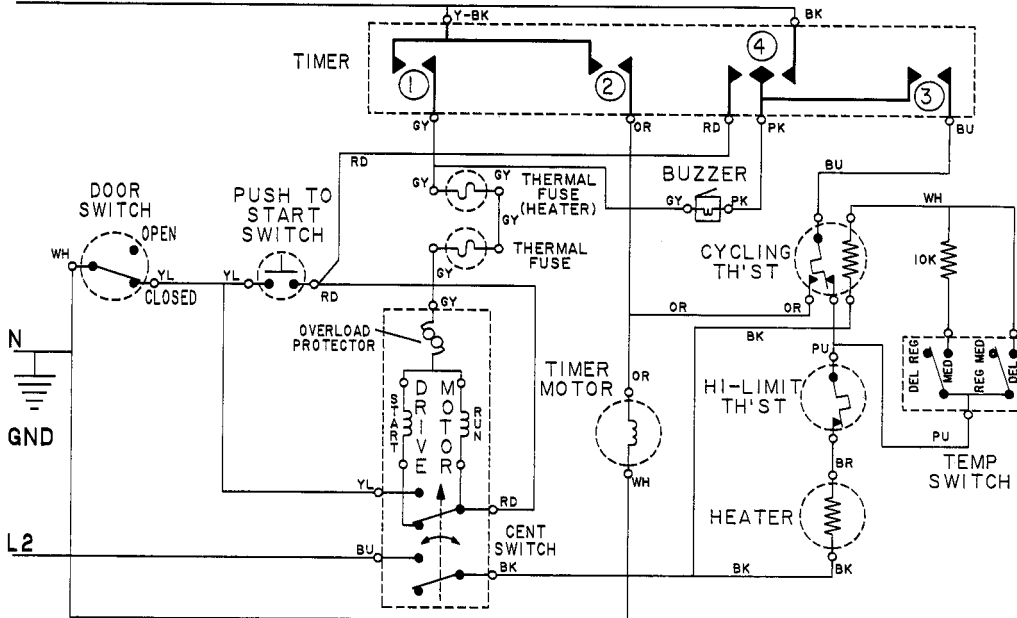
Refer to wiring diagram supplied with unit before attempting service.

LDE8414

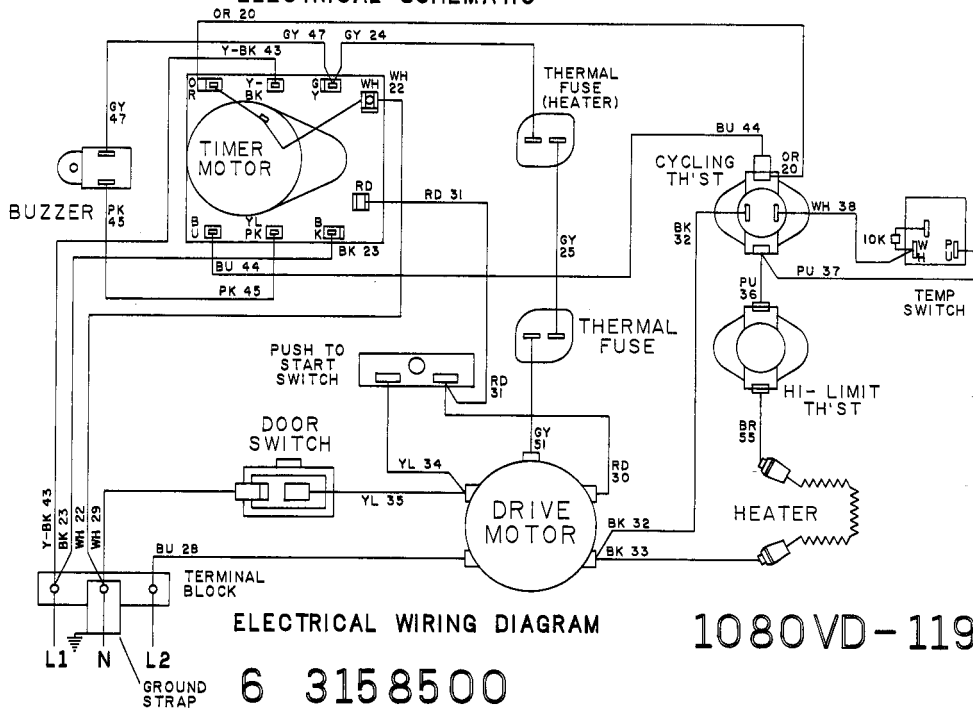
CAM INFORMATION AND CONTACT DATA			PERM PRESS	PRESS CARE OR AIR FLUFF	OFF	REG FABRIC	OFF	TIME DRY	OFF
CONTACT NO.	CIRCUITS	FUNCTION							
1	YB-GY	DRIVE MOTOR	■	■	■	■	■	■	■
2	YB-OR	TIMER MOTOR	■	■	■	■	■	■	■
3	BK-BU	HEATER	■	■	■	■	■	■	■
4	PK-BK PK-RD	BUZZER/HEATER BUZZER/PULSER *	■	■	■	■	■	■	■

L1

* 'ON' 5 SECONDS EVERY 5 MINUTES



ELECTRICAL SCHEMATIC



ELECTRICAL WIRING DIAGRAM

1080VD-1193

6 3158500

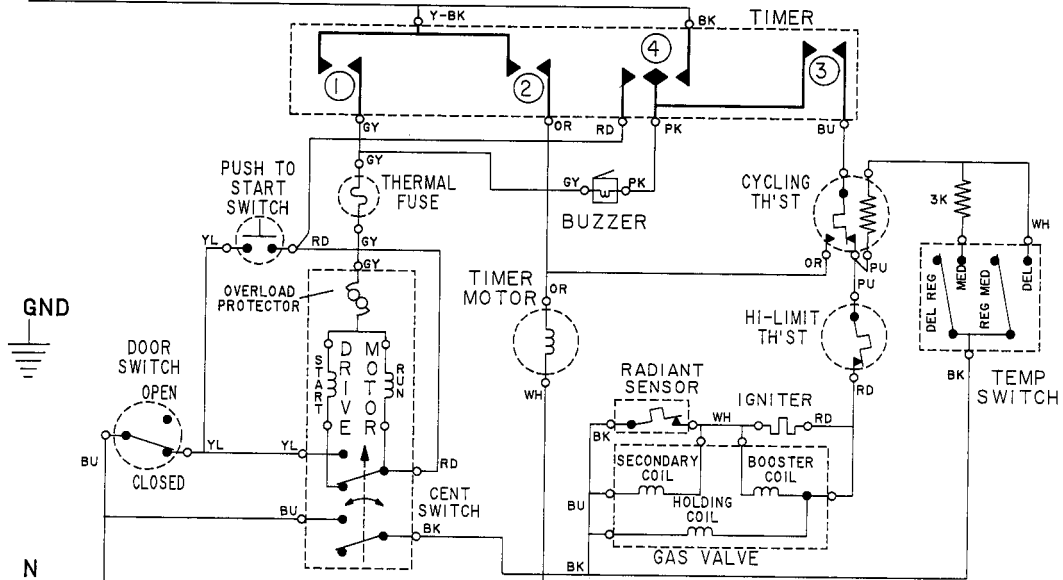
Refer to wiring diagram supplied with unit before attempting service.

LDG8414

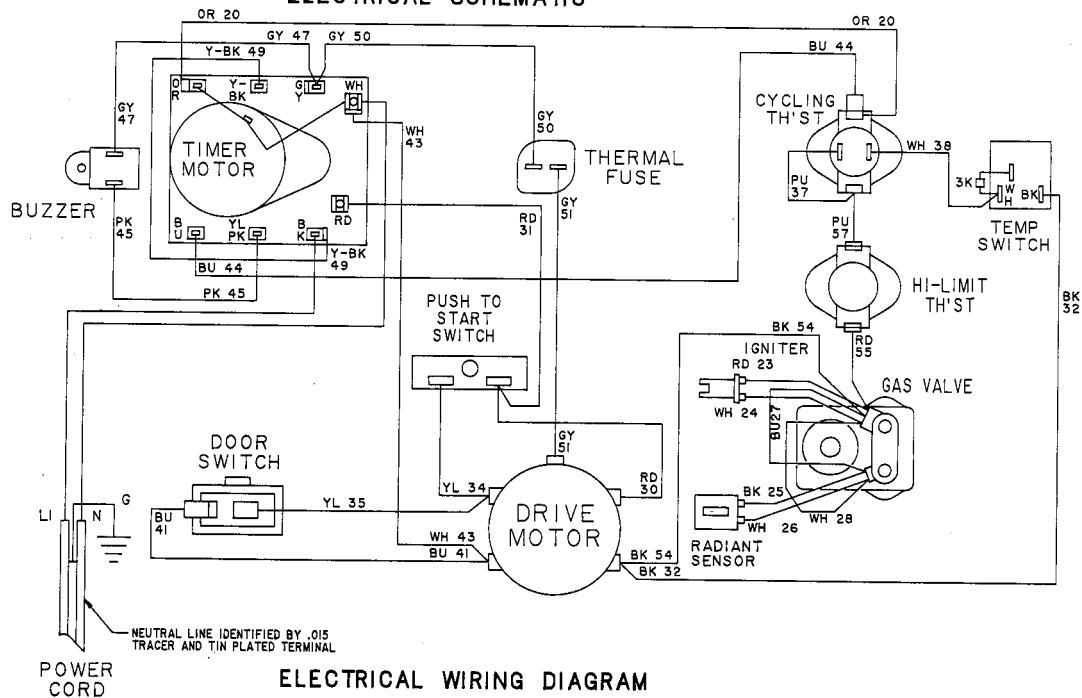
CAM INFORMATION AND CONTACT DATA			PERM PRESS	PRESS CARE OR AIR FLUFF	O F F	REG FABRIC	O F F	TIME DRY	O F F
CONTACT NO.	CIRCUITS	FUNCTION							
①	YB-GY	DRIVE MOTOR	■	■	■	■	■	■	■
②	YB-OR	TIMER MOTOR	■	■	■	■	■	■	■
③	BK-BU	HEATER	■	■	■	■	■	■	■
④	PK-BK PK-RD	BUZZER/HEATER BUZZER/PULSER *	■	■	■	■	■	■	■

L1

* 'ON' 5 SECONDS EVERY 5 MINUTES



ELECTRICAL SCHEMATIC



ELECTRICAL WIRING DIAGRAM

6 3158290

1059VD-1193

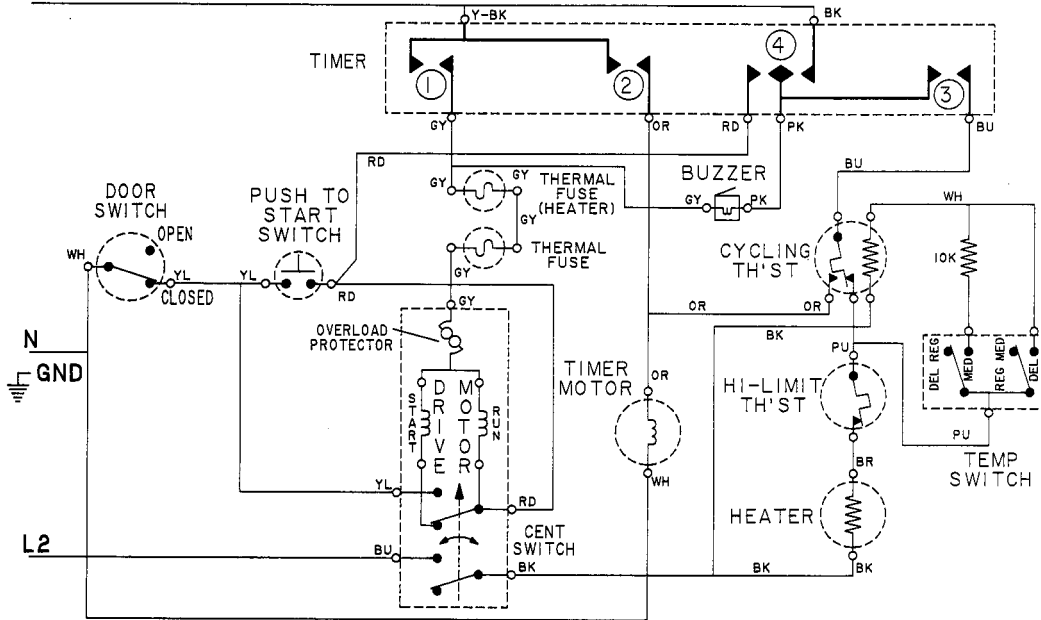
Refer to wiring diagram supplied with unit before attempting service.

LDE8414 CANADA

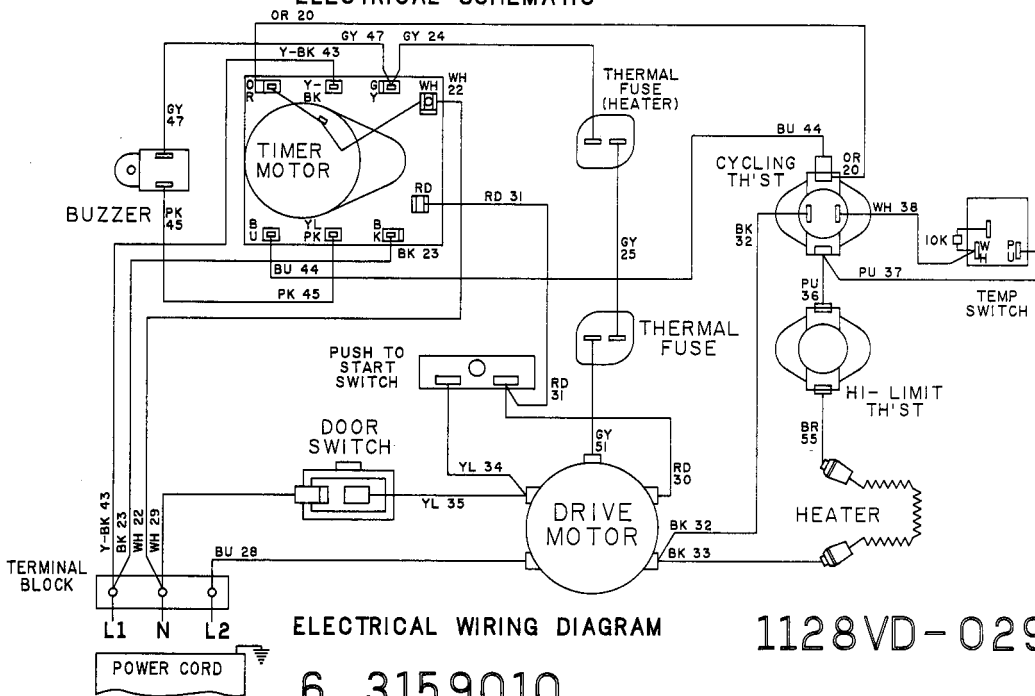
CAM INFORMATION AND CONTACT DATA			PERM PRESS	PRESS CARE OR AIR FLUFF	OFF	REG FABRIC	OFF	TIME DRY	OFF
CONTACT NO.	CIRCUITS	FUNCTION							
1	YB-GY	DRIVE MOTOR	■	■	■	■	■	■	■
2	YB-OR	TIMER MOTOR	■	■	■	■	■	■	■
3	BK-BU	HEATER	■	■	■	■	■	■	■
4	PK-BK	BUZZER/HEATER	■	■	■	■	■	■	■
	PK-RD	BUZZER/PULSER *	■	■	■	■	■	■	■

L1

* 'ON' 5 SECONDS EVERY 5 MINUTES



ELECTRICAL SCHEMATIC



ELECTRICAL WIRING DIAGRAM

1128VD-0294

6 3159010

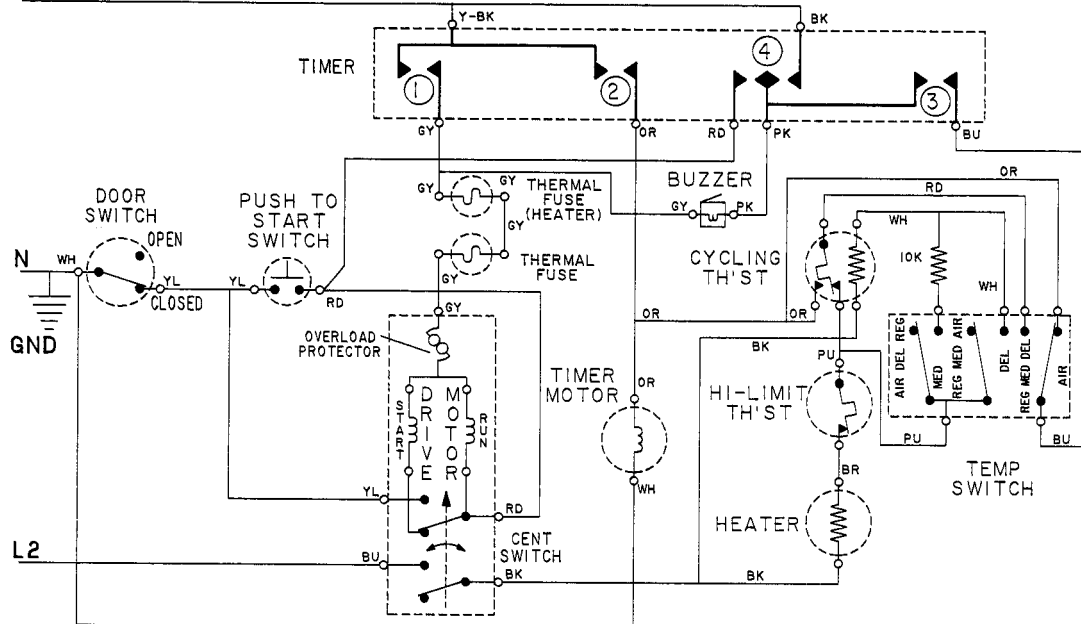
Refer to wiring diagram supplied with unit before attempting service.

LDE8424

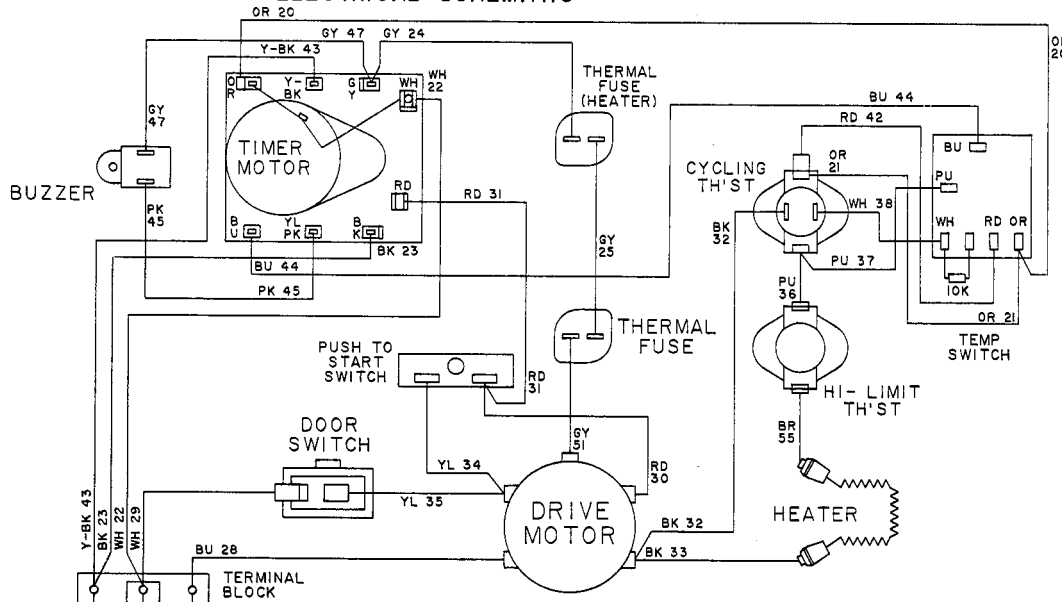
CAM INFORMATION AND CONTACT DATA			PERM PRESS	OFF	REG FABRIC	OFF	TIME DRY	OFF
CONTACT NO.	CIRCUITS	FUNCTION						
1	YB-GY	DRIVE MOTOR	■	■	■	■	■	■
2	YB-OR	TIMER MOTOR	■	■	■	■	■	■
3	BK-BU	HEATER	■	■	■	■	■	■
4	PK-BK PK-RD	BUZZER/HEATER BUZZER/PULSER *	■	■	■	■	■	■

L1

* 'ON' 5 SECONDS EVERY 5 MINUTES



ELECTRICAL SCHEMATIC



ELECTRICAL WIRING DIAGRAM

1081VD-1193

6 3158510

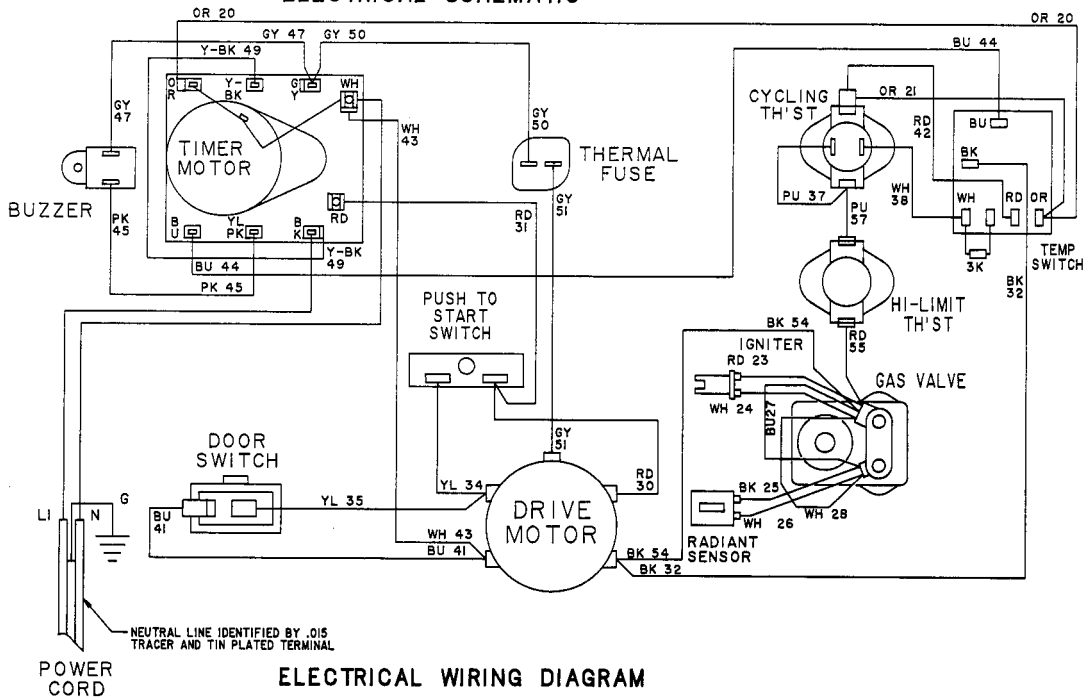
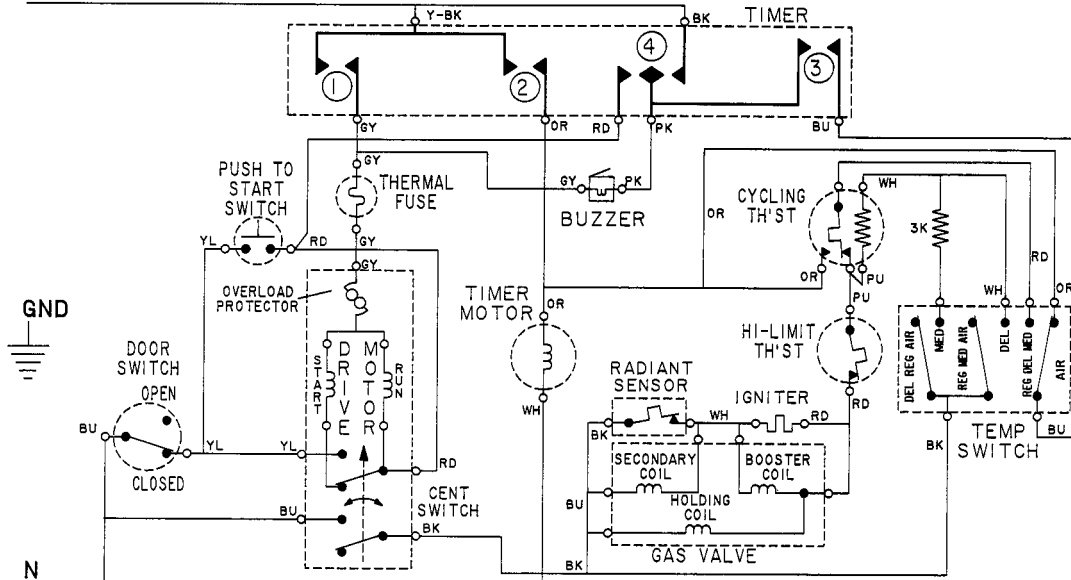
Refer to wiring diagram supplied with unit before attempting service.

LDG8424

CAM INFORMATION AND CONTACT DATA			PERM PRESS	T/O	REG FABRIC	O/F	TIME DRY	O/L
CONTACT NO.	CIRCUITS	FUNCTION						
①	YB-GY	DRIVE MOTOR	■	■	■	■	■	■
②	YB-OR	TIMER MOTOR	■	■	■	■	■	■
③	BK-BU	HEATER	■	■	■	■	■	■
④	PK-BK PK-RD	BUZZER/HEATER BUZZER/PULSER *	■	■	■	■	■	■

L1

* ON* 5 SECONDS EVERY 5 MINUTES



6 3158300 1060VD-1193

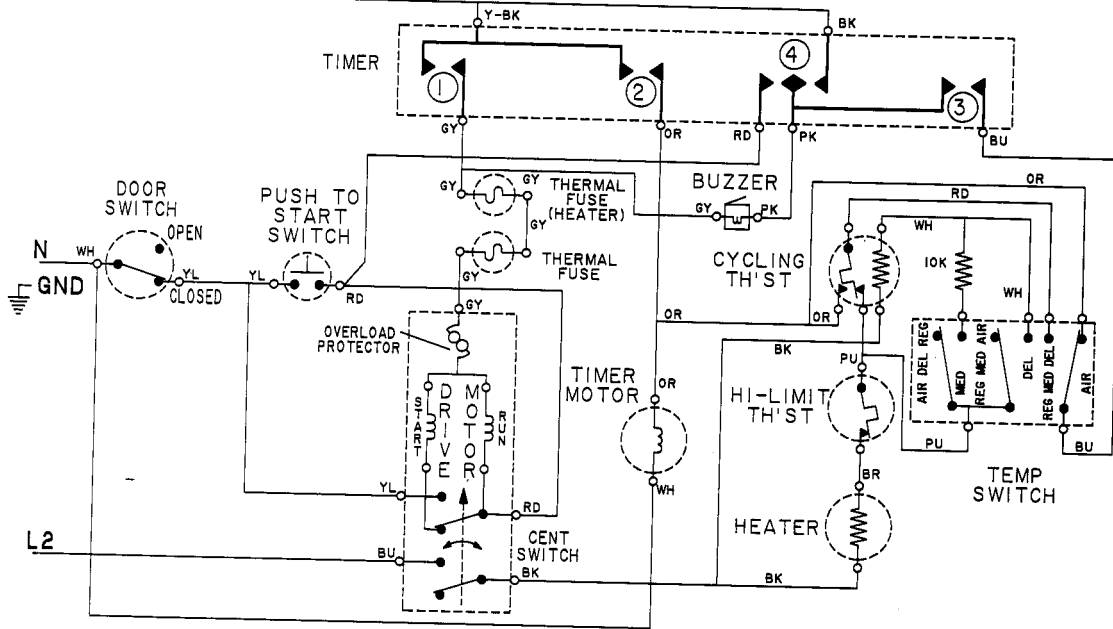
Refer to wiring diagram supplied with unit before attempting service.

LDE8424 CANADA

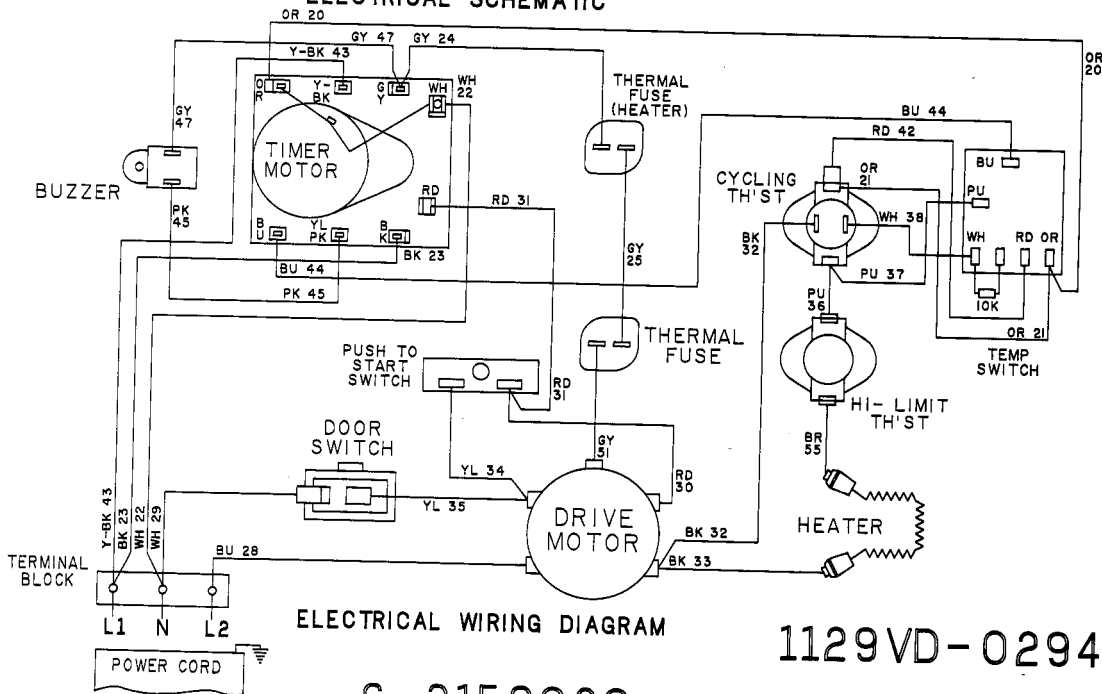
CAM INFORMATION AND CONTACT DATA			PERM PRESS	OFF	REG FABRIC	OFF	TIME DRY	OFF
CONTACT NO.	CIRCUITS	FUNCTION						
①	YB-GY	DRIVE MOTOR	■	■	■	■	■	■
②	YB-OR	TIMER MOTOR	■	■	■	■	■	■
③	BK-BU	HEATER	■	■	■	■	■	■
④	PK-BK	BUZZER/HEATER	■	■	■	■	■	■
	PK-RD	BUZZER/PULSER *	■	■	■	■	■	■

L1

* 10N 5 SECONDS EVERY 5 MINUTES



ELECTRICAL SCHEMATIC



ELECTRICAL WIRING DIAGRAM

1129VD-0294

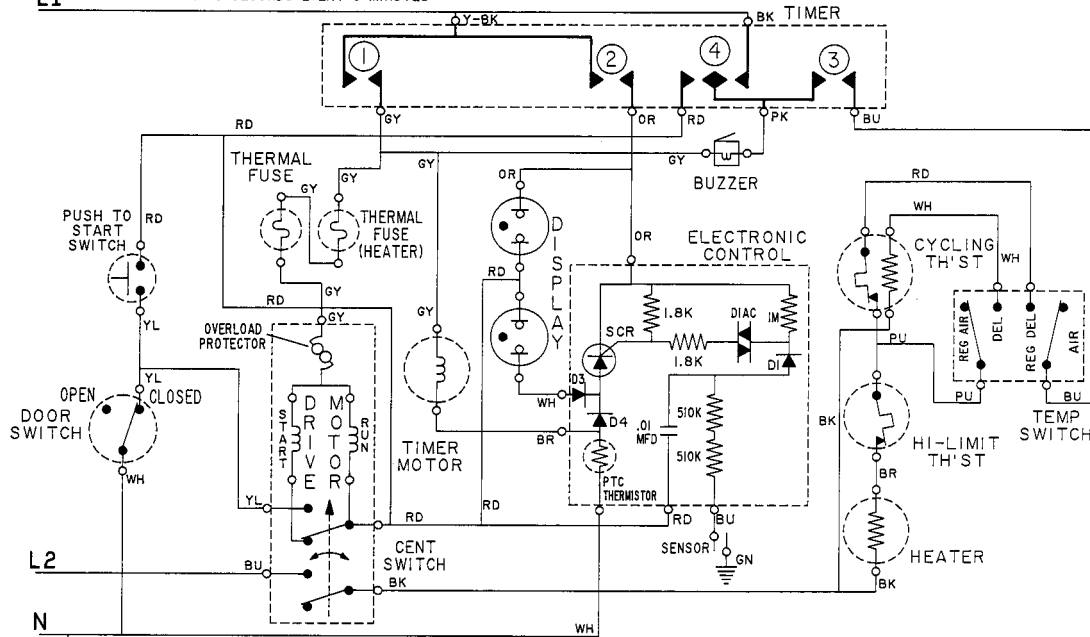
6 3159020

Refer to wiring diagram supplied with unit before attempting service.

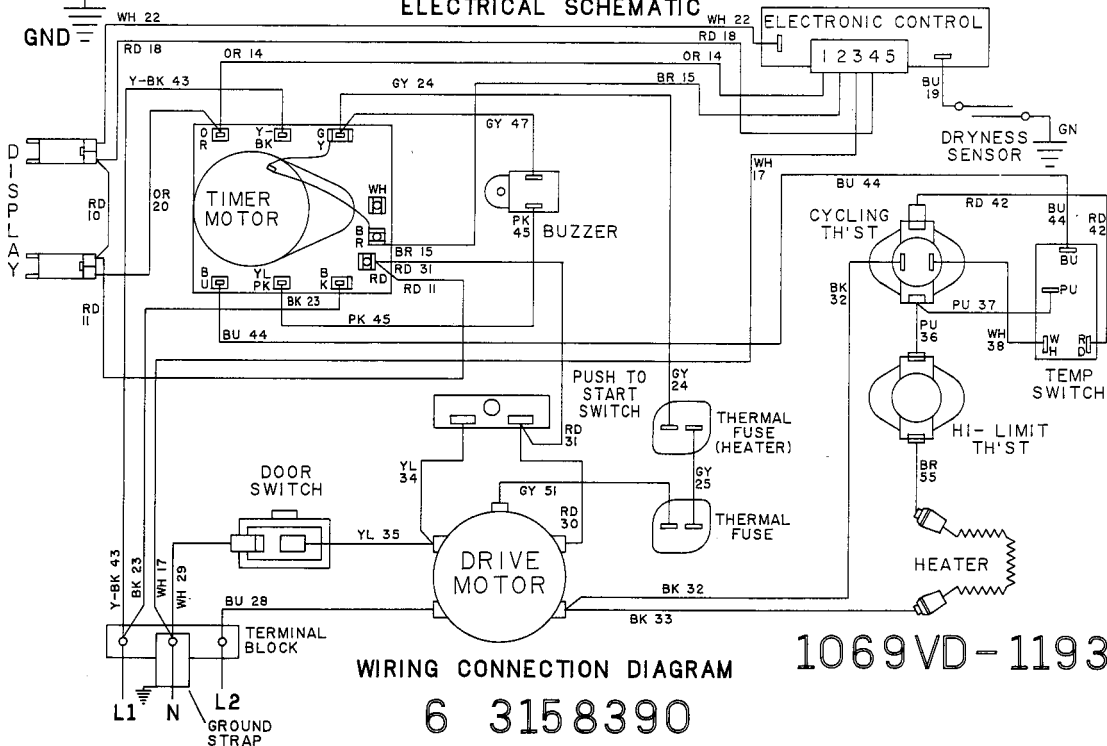
LDE8604

CAM INFORMATION AND CONTACT DATA			REG FABRIC	OFF	PERM PRESS	OFF	TIME DRY	OFF
CAM NO.	CIRCUITS	FUNCTION						
1	Y-BK-GY	DRIVE MOTOR	■	■	■	■	■	■
2	Y-BK-OR	ELECTRONIC CONTROL	■	■	■	■	■	■
3	BK-BU	HEATER	■	■	■	■	■	■
4	BK-PK	BUZZER/HEATER	■	■	■	■	■	■
	PK-RD	PERM PRESS BUZZER *	■	■	■	■	■	■

L1



ELECTRICAL SCHEMATIC



WIRING CONNECTION DIAGRAM

1069VD-1193

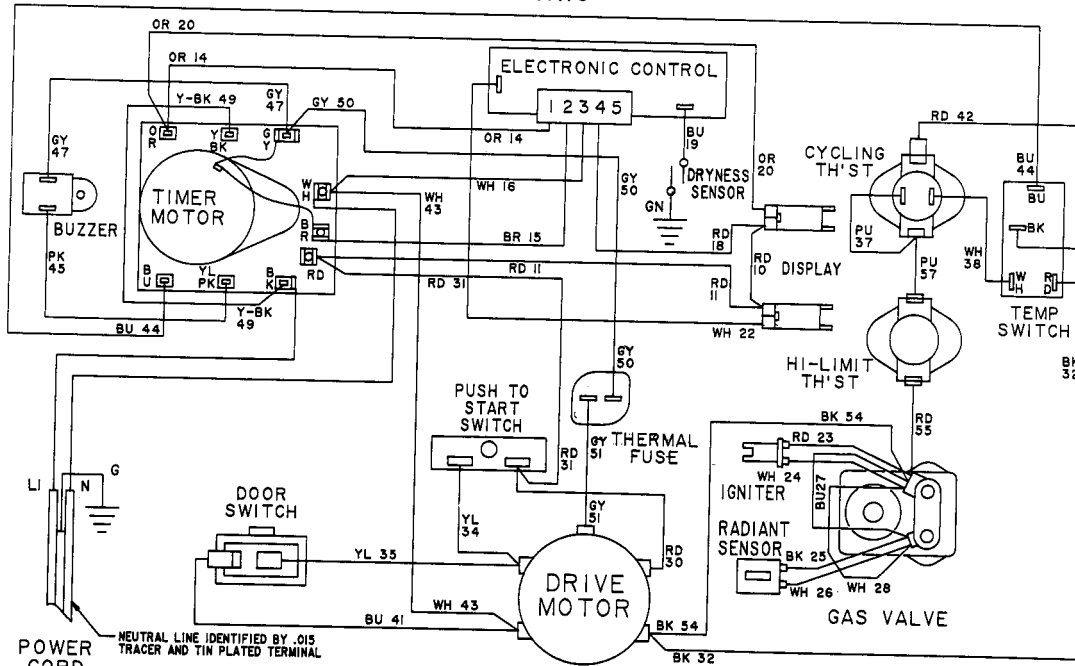
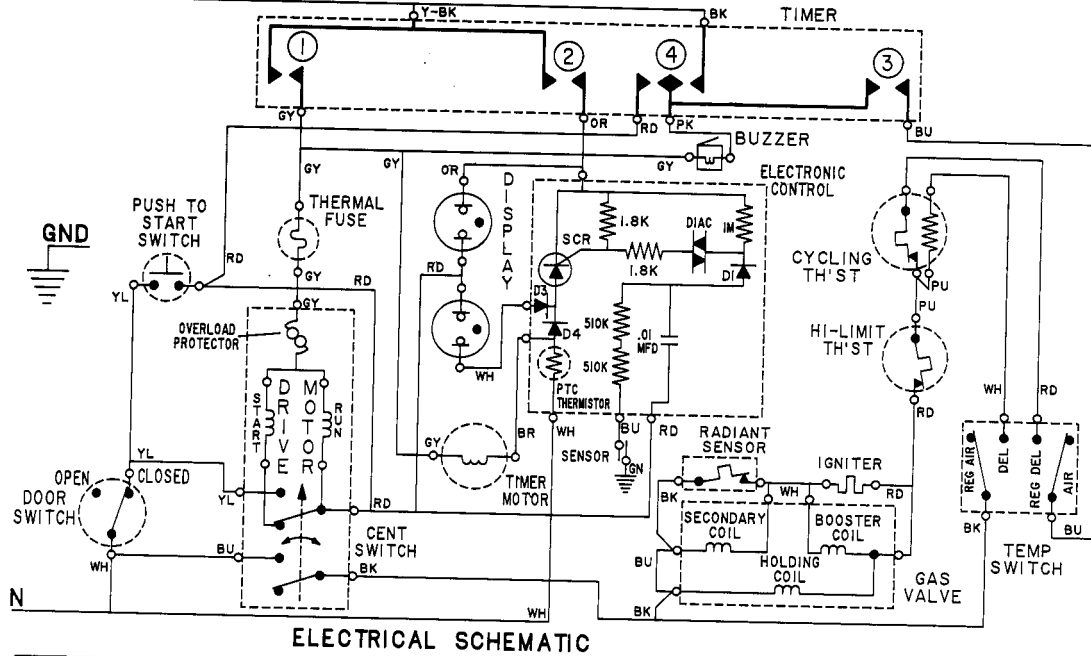
6 3158390

Refer to wiring diagram supplied with unit before attempting service.

LDG8604

CAM INFORMATION AND CONTACT DATA			REG FABRIC	OFF	PERM PRESS	OFF	TIME DRY
CAM NO.	CIRCUITS	FUNCTION					
1	Y-BK-GY	DRIVE MOTOR					
2	Y-BK-OR	ELECTRONIC CONTROL					
3	BK-BU	HEATER					
4	BK-PK	BUZZER/HEATER					
	PK-RD	PERM PRESS BUZZER *					

L1 * *ON* 5 SECONDS EVERY 5 MINUTES



6 3158180 1048VD-1193

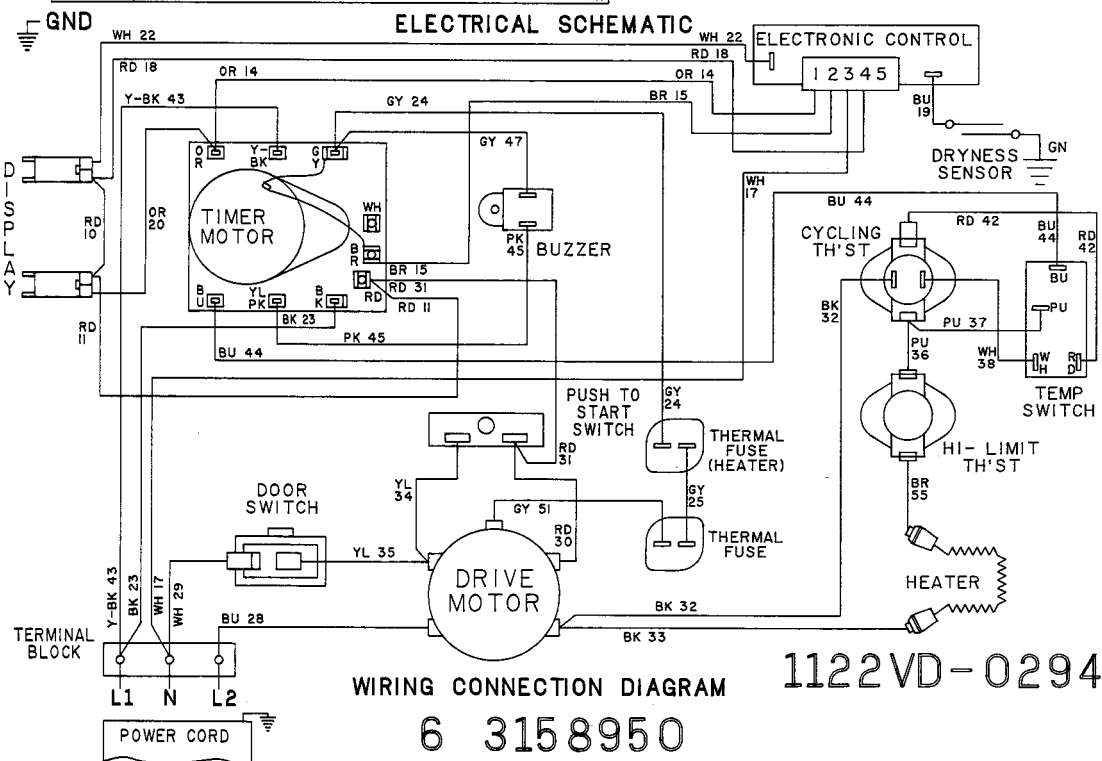
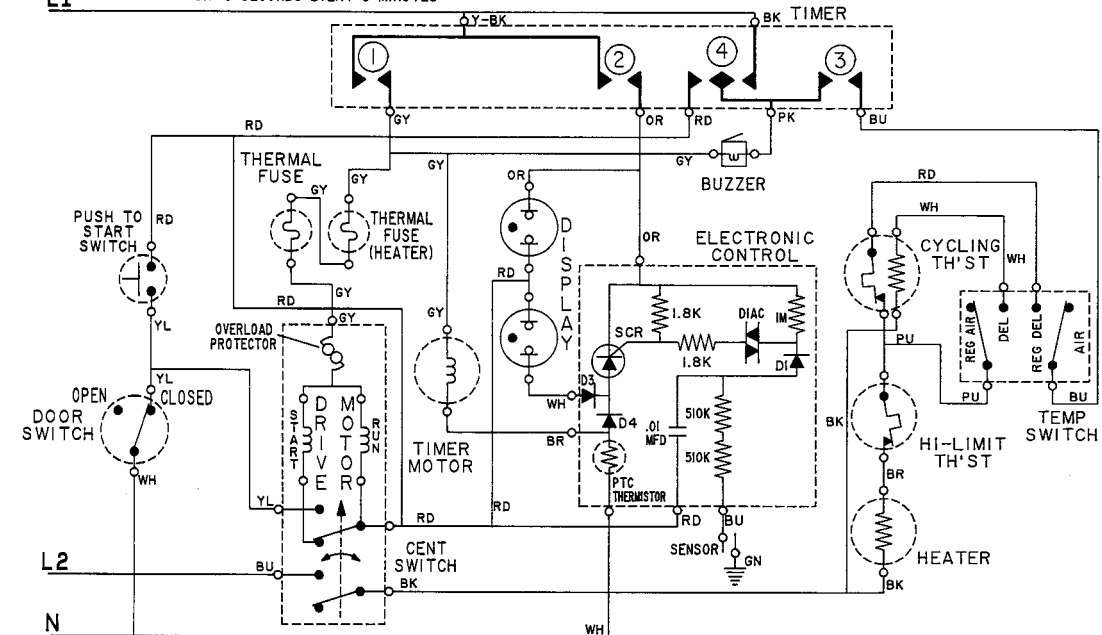
Refer to wiring diagram supplied with unit before attempting service.

LDE8604 CANADA

CAM INFORMATION AND CONTACT DATA			REG FABRIC	O.F.F.	PERM PRESS	O.F.F.	TIME DRY	O.F.F.
CAM NO.	CIRCUITS	FUNCTION						
1	Y-BK-GY	DRIVE MOTOR						
2	Y-BK-OR	ELECTRONIC CONTROL						
3	BK-BU	HEATER						
4	BK-PK	BUZZER/HEATER						
	PK-RD	PERM PRESS BUZZER *						

L1

* ON 5 SECONDS EVERY 5 MINUTES



WIRING CONNECTION DIAGRAM
6 3158950

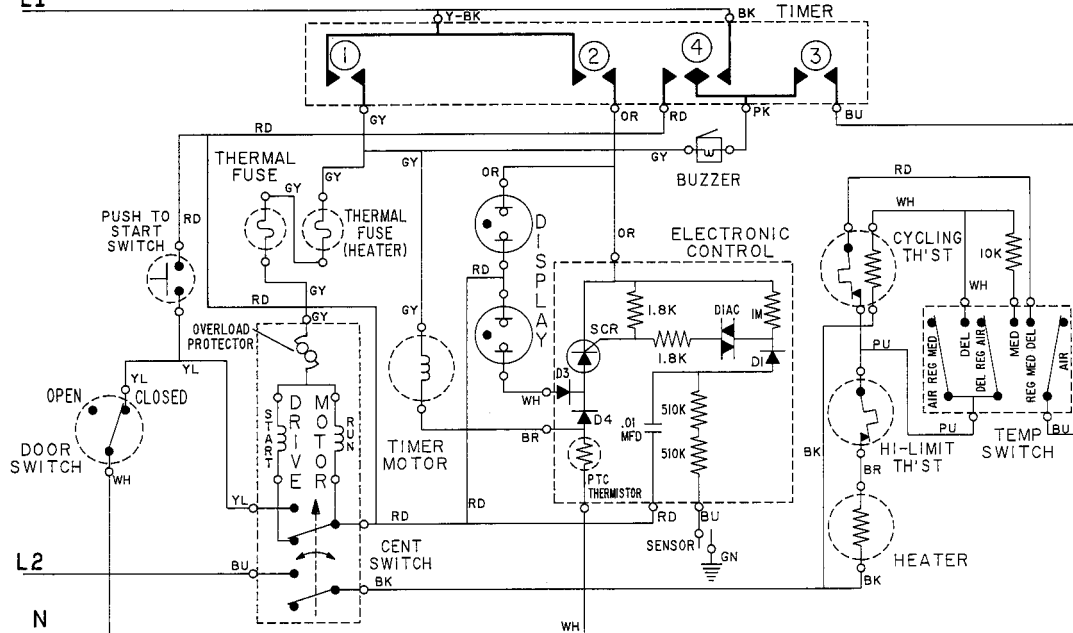
1122VD-0294

Refer to wiring diagram supplied with unit before attempting service.

LDE8624

CAM INFORMATION AND CONTACT DATA			REG FABRIC	OFF	PERM PRESS	OLL	TIME DRY	OFF
CAM NO.	CIRCUITS	FUNCTION						
①	Y-BK-GY	DRIVE MOTOR	■	■	■	■	■	■
②	Y-BK-OR	ELECTRONIC CONTROL	■	■	■	■	■	■
③	BK-BU	HEATER	■	■	■	■	■	■
④	BK-PK PK-RD	BUZZER/HEATER PERM PRESS BUZZER *	■	■	■	■	■	■

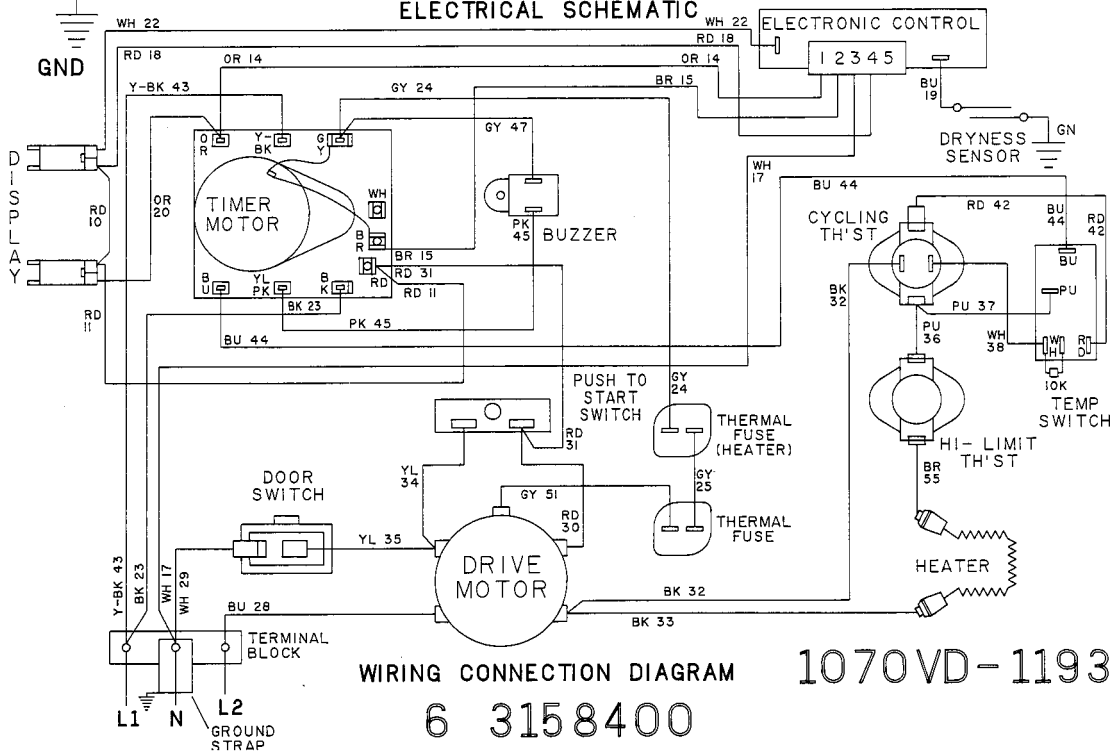
L1



L2

N

ELECTRICAL SCHEMATIC

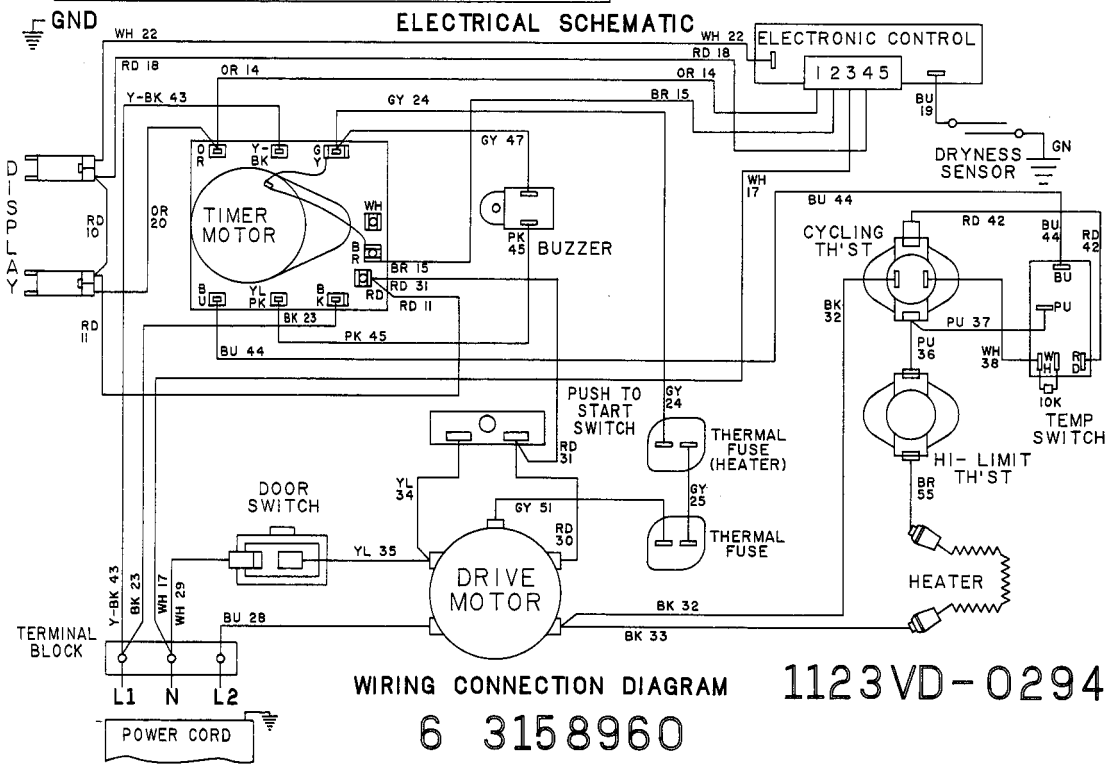
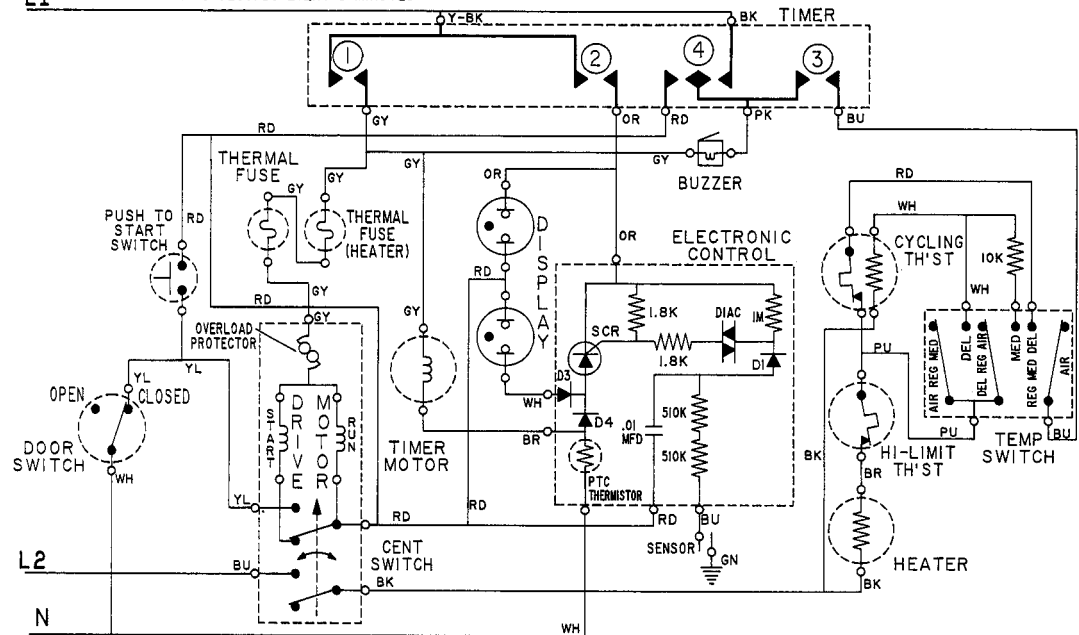


Refer to wiring diagram supplied with unit before attempting service.

LDE8624 CANADA

CAM INFORMATION AND CONTACT DATA			REG FABRIC	OFF	PERM PRESS	OFF	TIME DRY	OFF
CAM NO.	CIRCUITS	FUNCTION						
1	Y-BK-GY	DRIVE MOTOR						
2	Y-BK-OR	ELECTRONIC CONTROL						
3	BK-BU	HEATER						
4	BK-PK	BUZZER/HEATER						
	PK-RD	PERM PRESS BUZZER *						

L1 *ON* 5 SECONDS EVERY 5 MINUTES

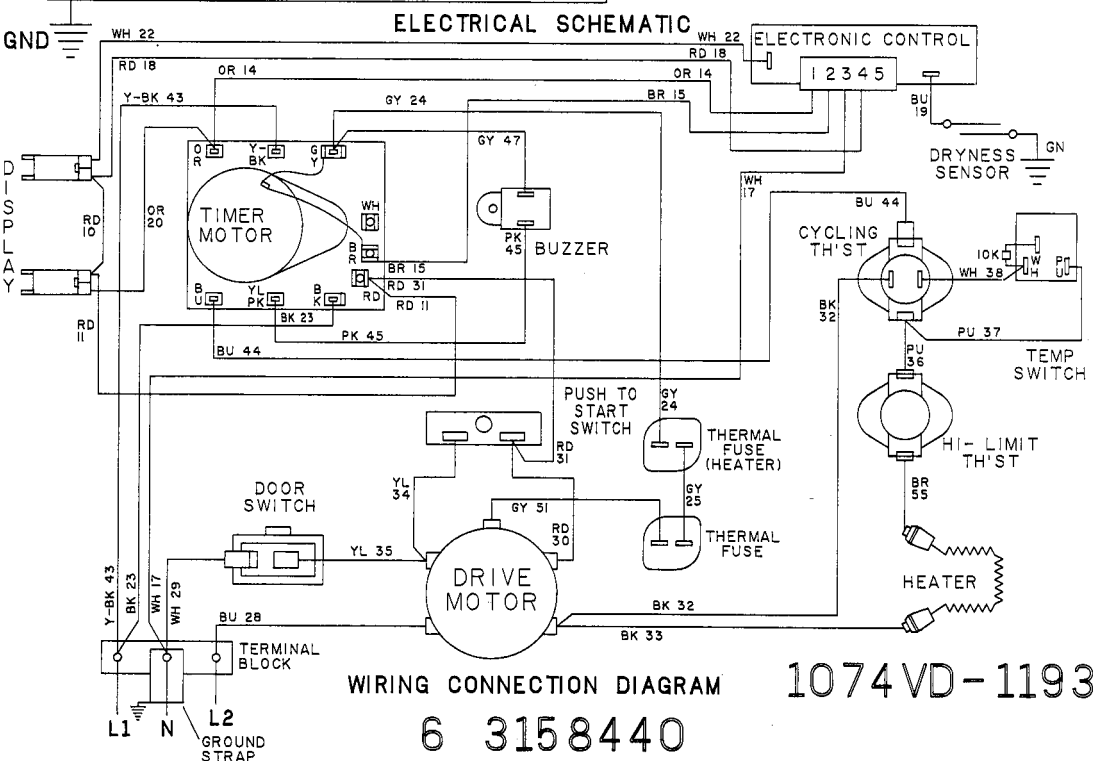
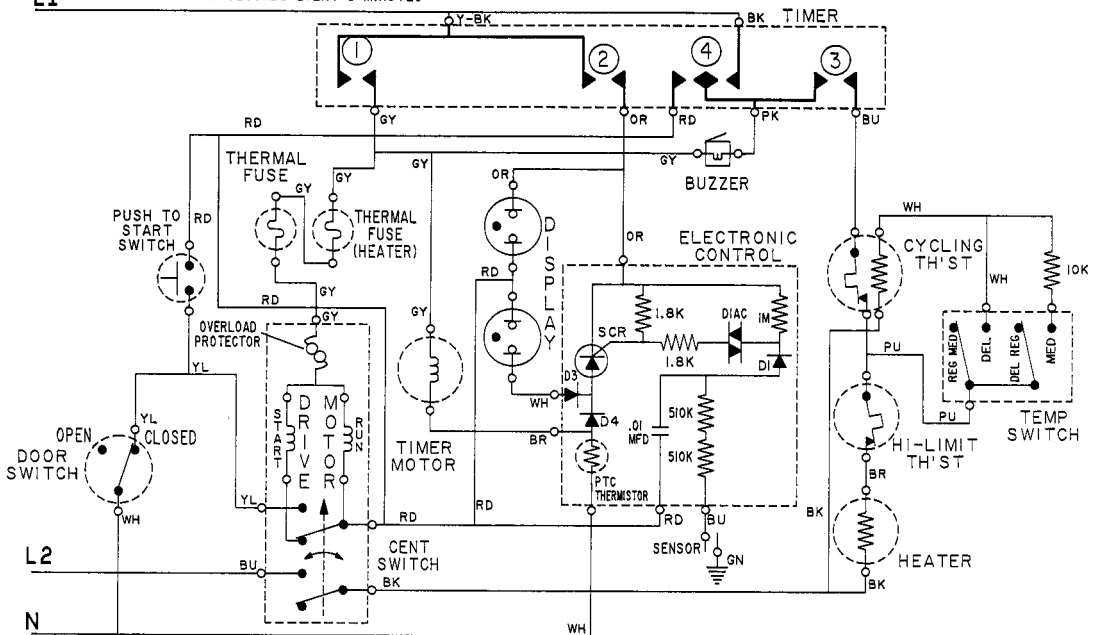


Refer to wiring diagram supplied with unit before attempting service.

LDE8704

CAM INFORMATION AND CONTACT DATA			REG FABRIC	OFF	PERM PRESS	PRESS CARE AIR FLUFF	OFF	TIME DRY	OFF
CAM NO.	CIRCUITS	FUNCTION							
①	Y-BK-GY	DRIVE MOTOR							
②	Y-BK-OR	ELECTRONIC CONTROL							
③	BK-BU	HEATER							
④	BK-PK PK-RD	BUZZER/HEATER PERM PRESS BUZZER *							

L1 *ON* 5 SECONDS EVERY 5 MINUTES



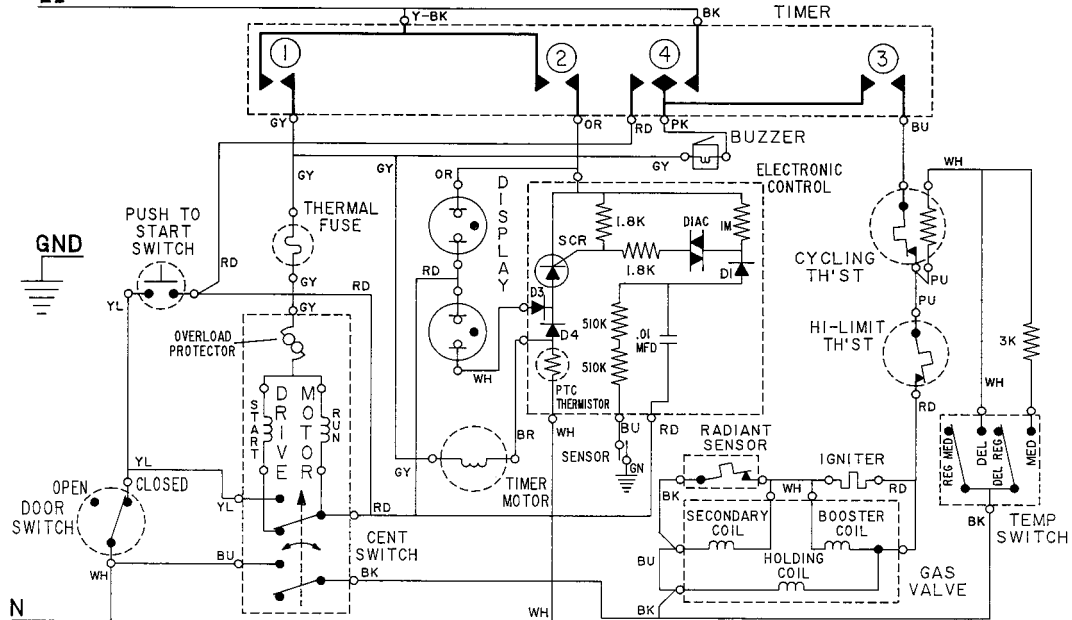
WIRING CONNECTION DIAGRAM 1074 VD-1193
6 3158440

Refer to wiring diagram supplied with unit before attempting service.

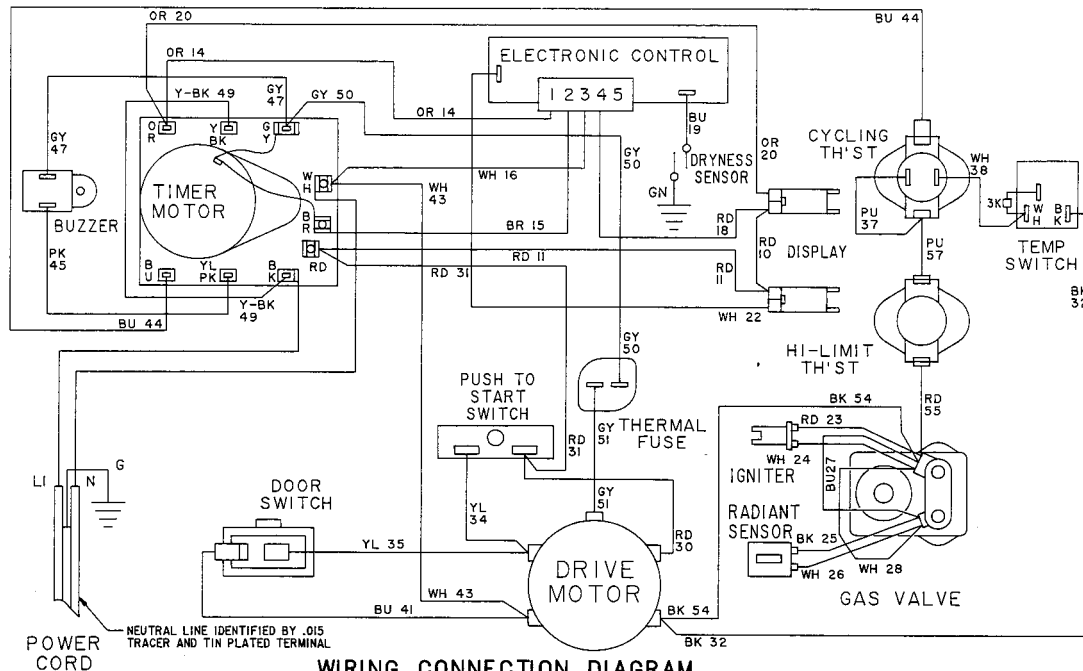
LDG8704

CAM INFORMATION AND CONTACT DATA			REG FABRIC	PERM PRESS	PRESS CARE AIR FLUFF	OFF	TIME DRY
CAM NO.	CIRCUITS	FUNCTION					
1	Y-BK-GY	DRIVE MOTOR					
2	Y-BK-OR	ELECTRONIC CONTROL					
3	BK-BU	HEATER					
4	BK-PK	BUZZER/HEATER					
	PK-RD	PERM PRESS BUZZER *					

L1 * *ON* 5 SECONDS EVERY 5 MINUTES



ELECTRICAL SCHEMATIC



WIRING CONNECTION DIAGRAM

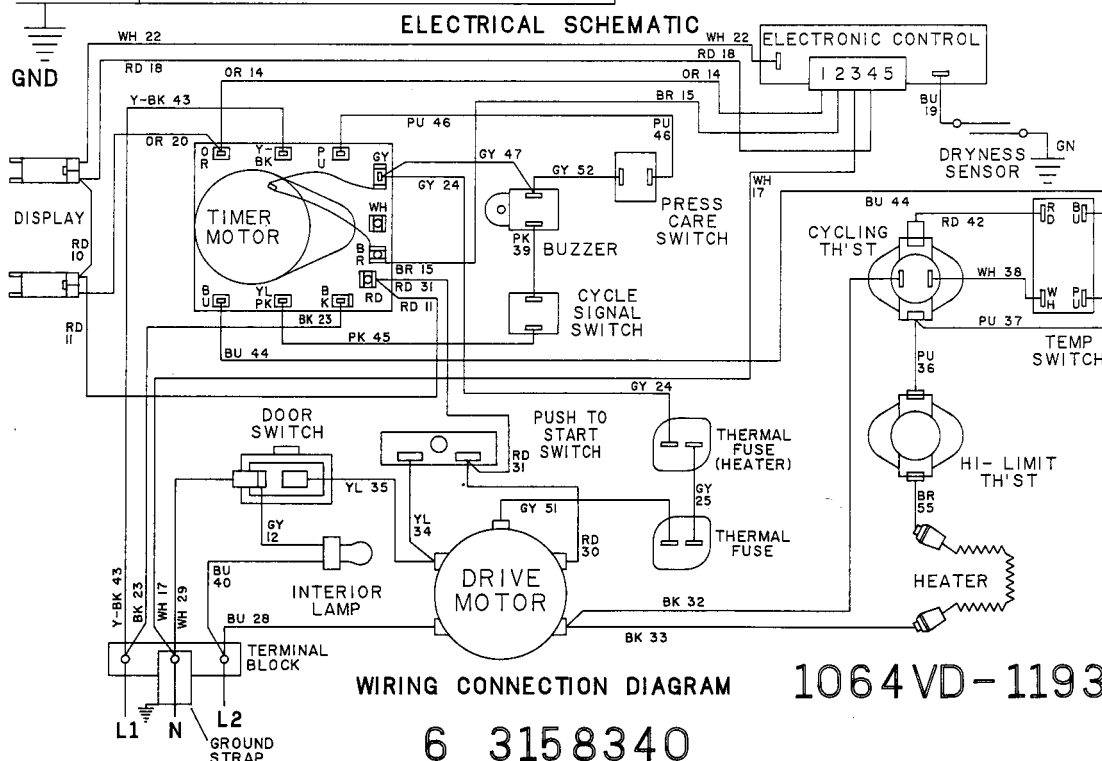
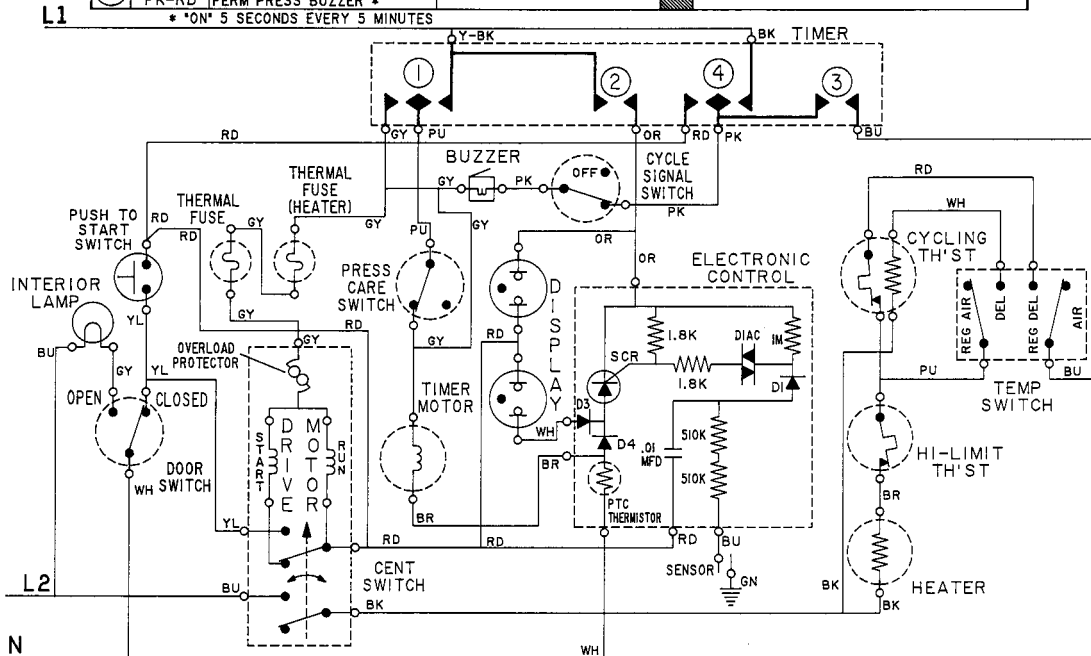
6 3158230 1053VD-1193

Refer to wiring diagram supplied with unit before attempting service.

LDE8804

CAM INFORMATION AND CONTACT DATA		REG FABRIC	OFF	PERM PRESS	PRESS CARE	OFF	TIME DRY	OFF
CAM NO.	CIRCUITS	FUNCTION						
1	Y-BK-PU PRESS CARE Y-BK-GY DRIVE MOTOR							
2	Y-BK-OR ELECTRONIC CONTROL							
3	BK-BU HEATER							
4	BK-PK BUZZER/HEATER PK-RD PERM PRESS BUZZER *							

* 'ON' 5 SECONDS EVERY 5 MINUTES



WIRING CONNECTION DIAGRAM

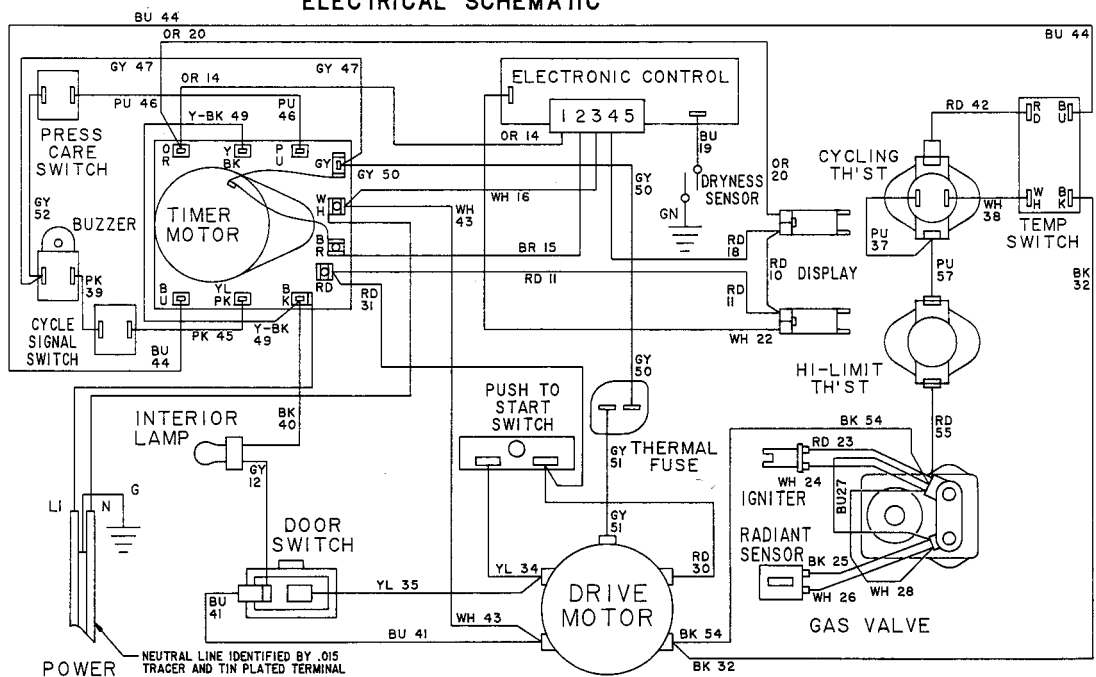
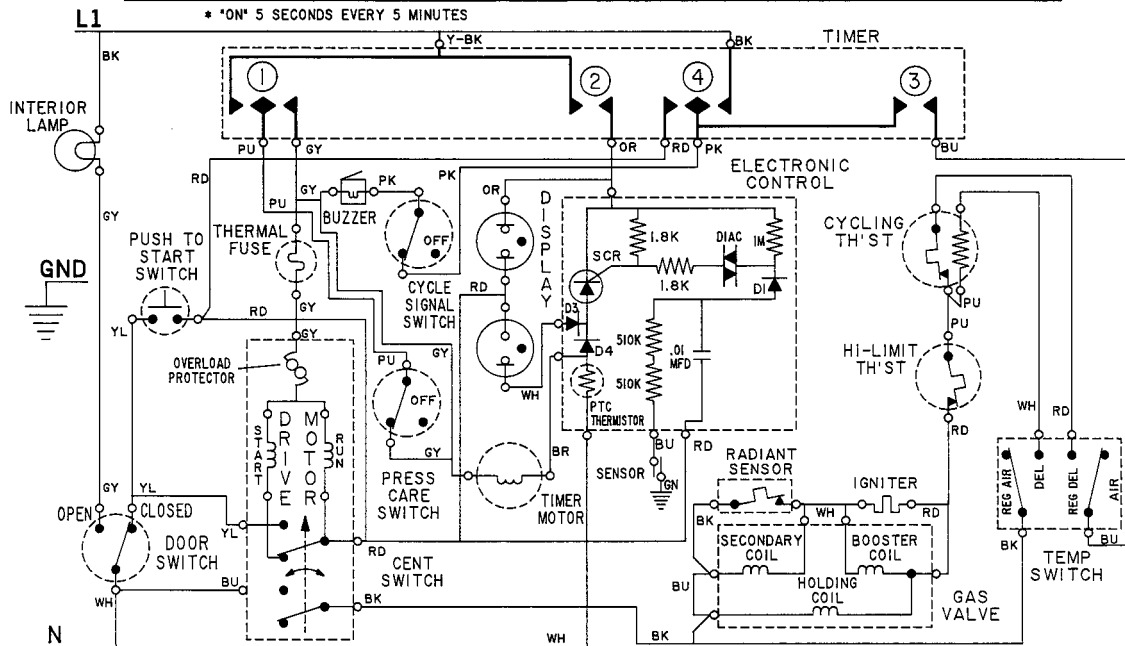
1064VD-1193

6 3158340

Refer to wiring diagram supplied with unit before attempting service.

LDG8804

CAM INFORMATION AND CONTACT DATA			REG FABRIC	PERM PRESS	PRESS CARE	TIME DRY
CAM NO.	CIRCUITS	FUNCTION				
①	Y-BK-PU Y-BK-GY	PRESS CARE DRIVE MOTOR	■	■	■	■
②	Y-BK-OR	ELECTRONIC CONTROL	■	■		
③	BK-BU	HEATER	■			■
④	BK-PK PK-RD	BUZZER/HEATER PERM PRESS BUZZER *	■		■	■

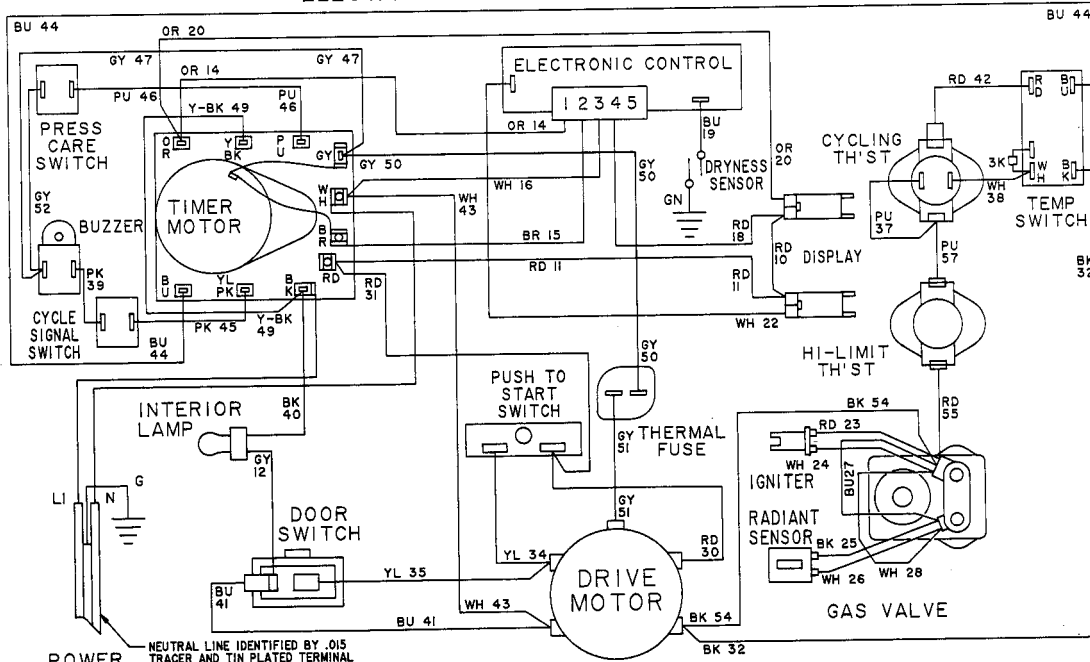
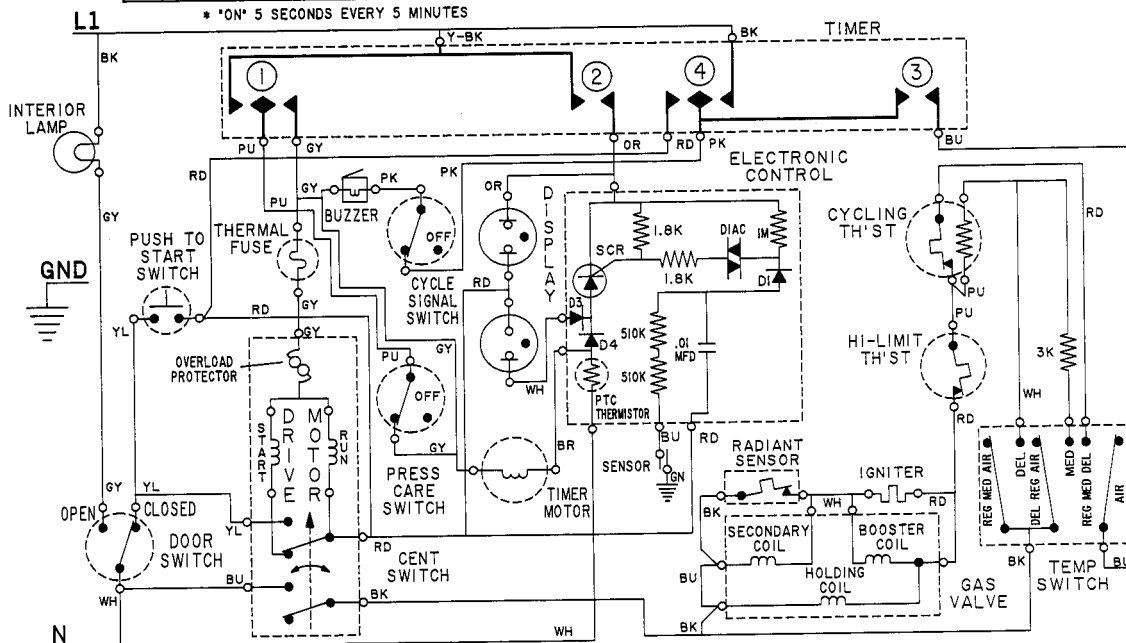


6 3158130 1043VD-1193

Refer to wiring diagram supplied with unit before attempting service.

LDG8824

CAM INFORMATION AND CONTACT DATA			REG FABRIC	PERM PRESS	PRESS CARE	TIME DRY	OFF
CAM NO.	CIRCUITS	FUNCTION					
①	Y-BK-PU	PRESS CARE					
	Y-BK-GY	DRIVE MOTOR					
②	Y-BK-OR	ELECTRONIC CONTROL					
③	BK-BU	HEATER					
④	BK-PK	BUZZER/HEATER					
	PK-RD	PERM PRESS BUZZER *					

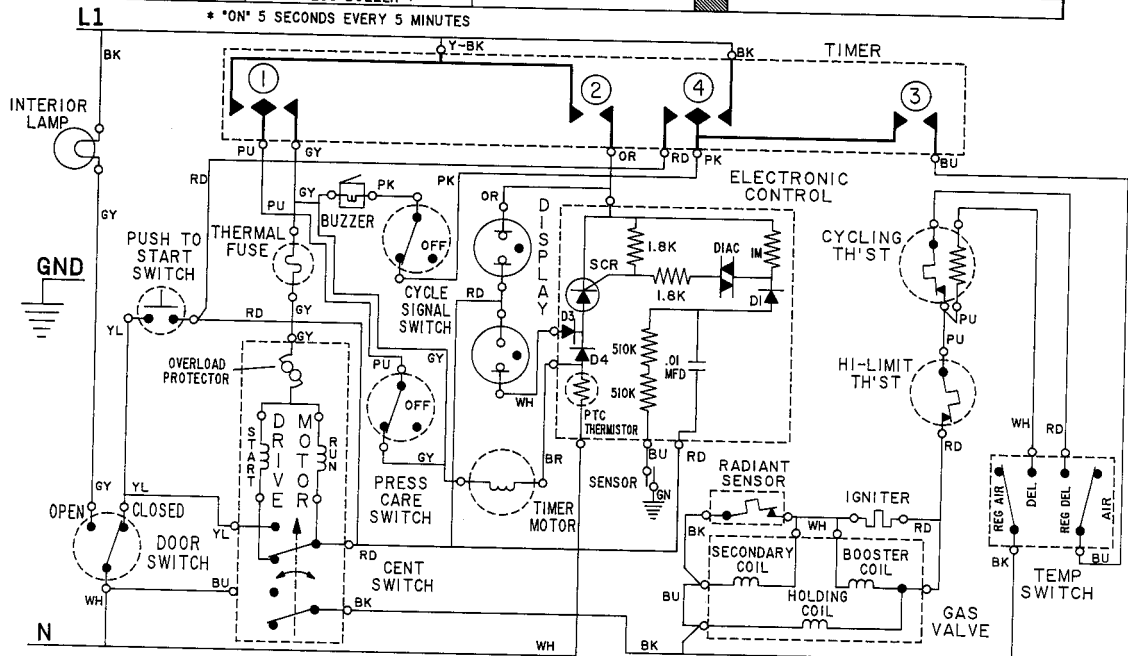


6 3158320 1062VD-1193

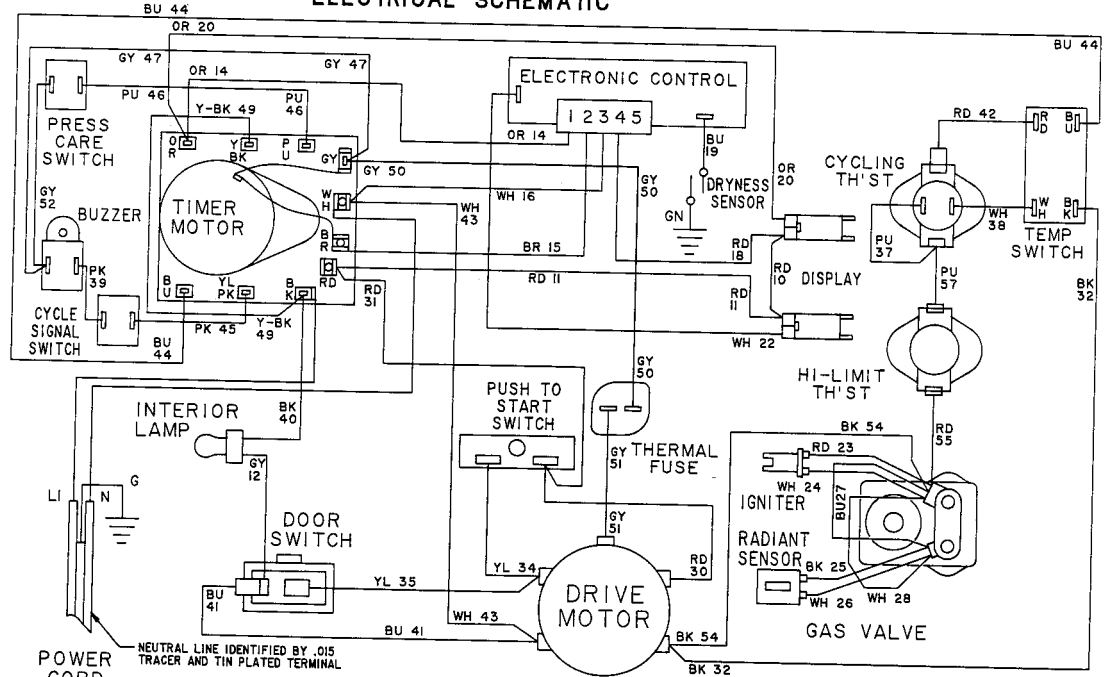
Refer to wiring diagram supplied with unit before attempting service.

LDG8804

CAM INFORMATION AND CONTACT DATA			REG FABRIC	OFF	PERM PRESS	PRESS CARE	OFF	TIME DRY	OFF
CAM NO.	CIRCUITS	FUNCTION							
1	Y-BK-PU	PRESS CARE							
	Y-BK-GY	DRIVE MOTOR							
2	Y-BK-OR	ELECTRONIC CONTROL							
3	BK-BU	HEATER							
4	BK-PK	BUZZER/HEATER							
	PK-RD	PERM PRESS BUZZER *							



ELECTRICAL SCHEMATIC



WIRING CONNECTION DIAGRAM
6 3158130 1043VD-1193

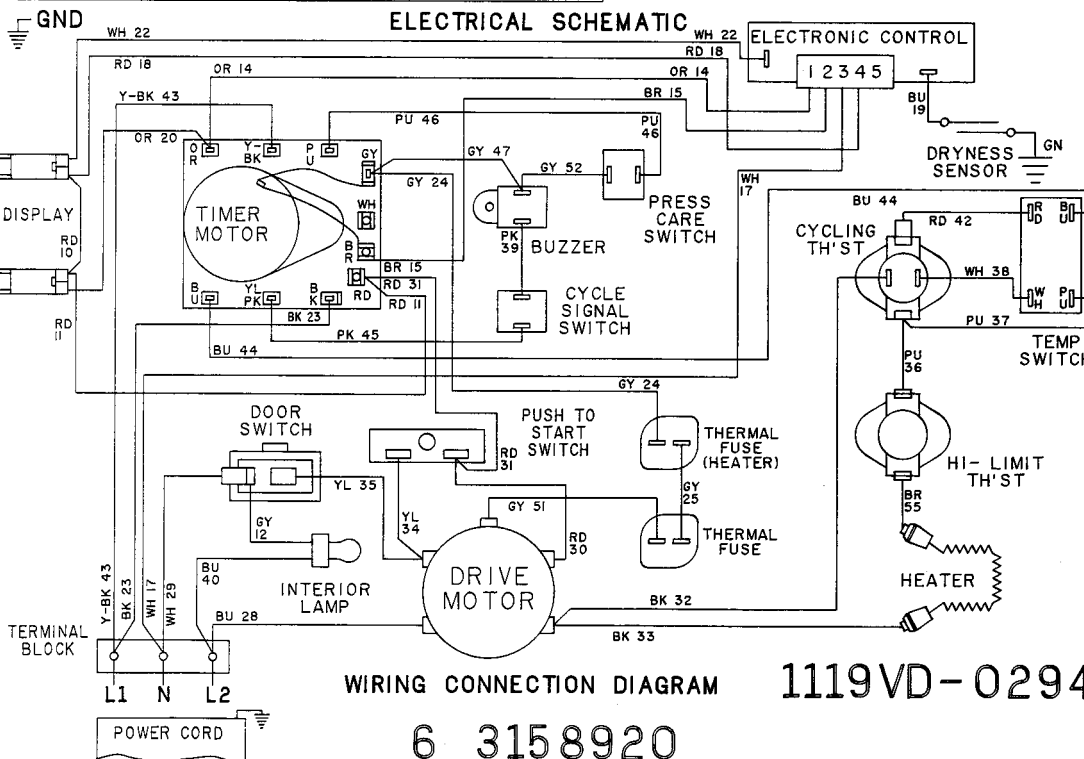
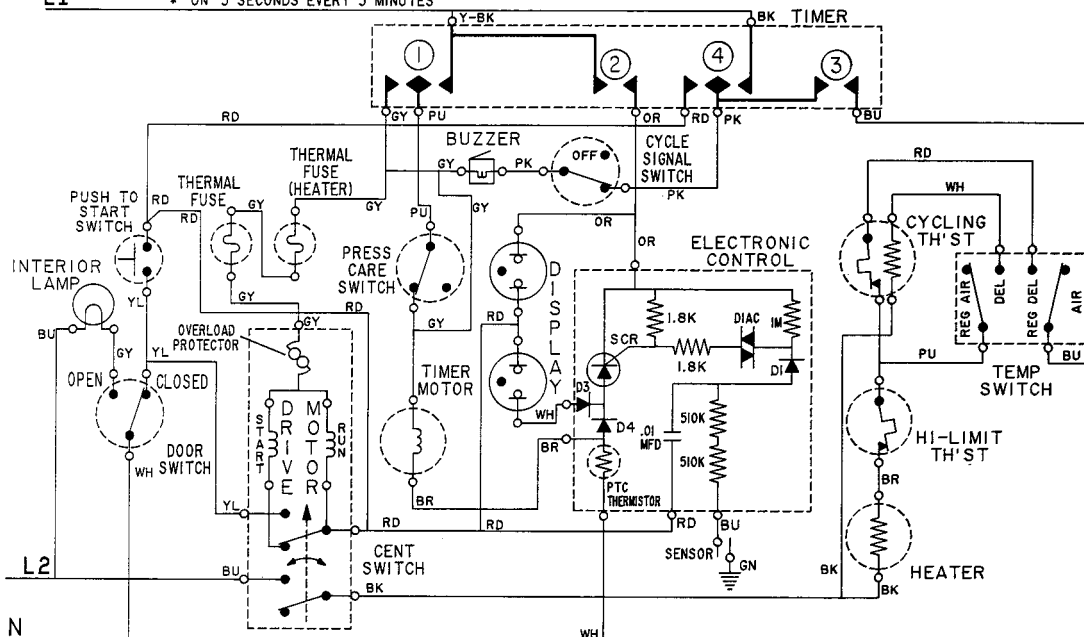
Refer to wiring diagram supplied with unit before attempting service.

LDE8804 CANADA

CAM INFORMATION AND CONTACT DATA			REG FABRIC	PERM PRESS	PRESS CARE	TIME DRY
CAM NO.	CIRCUITS	FUNCTION				
1	Y-BK-PU Y-BK-GY	PRESS CARE DRIVE MOTOR				
2	Y-BK-OR	ELECTRONIC CONTROL				
3	BK-BU	HEATER				
4	BK-PK PK-RD	BUZZER/HEATER PERM PRESS BUZZER *				

L1

* ON 5 SECONDS EVERY 5 MINUTES



WIRING CONNECTION DIAGRAM

1119VD-0294

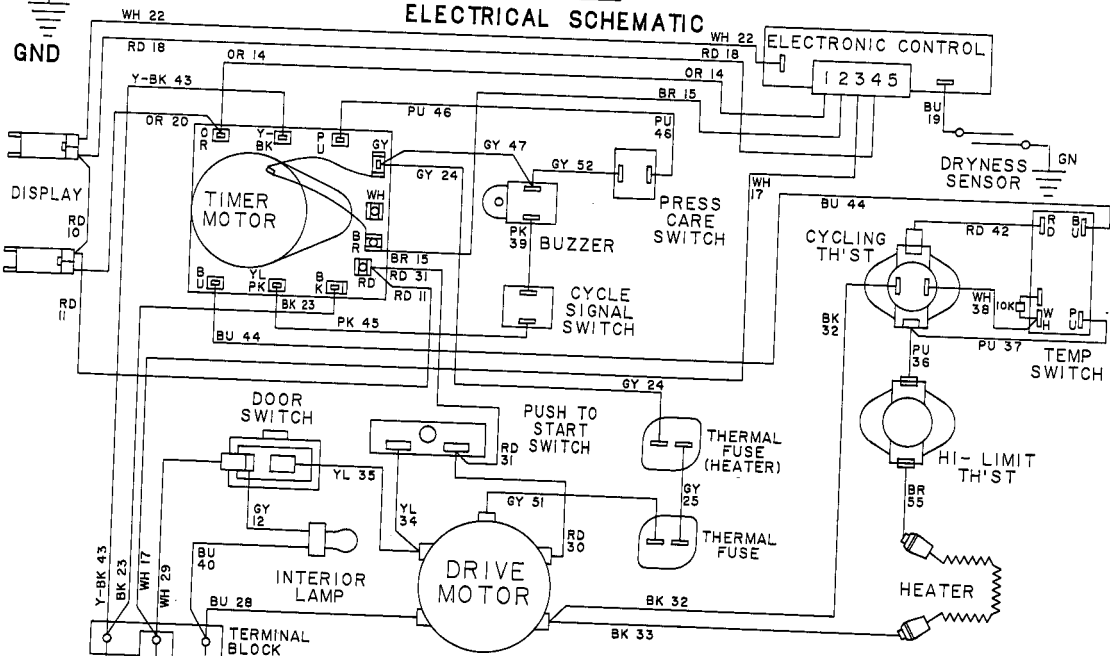
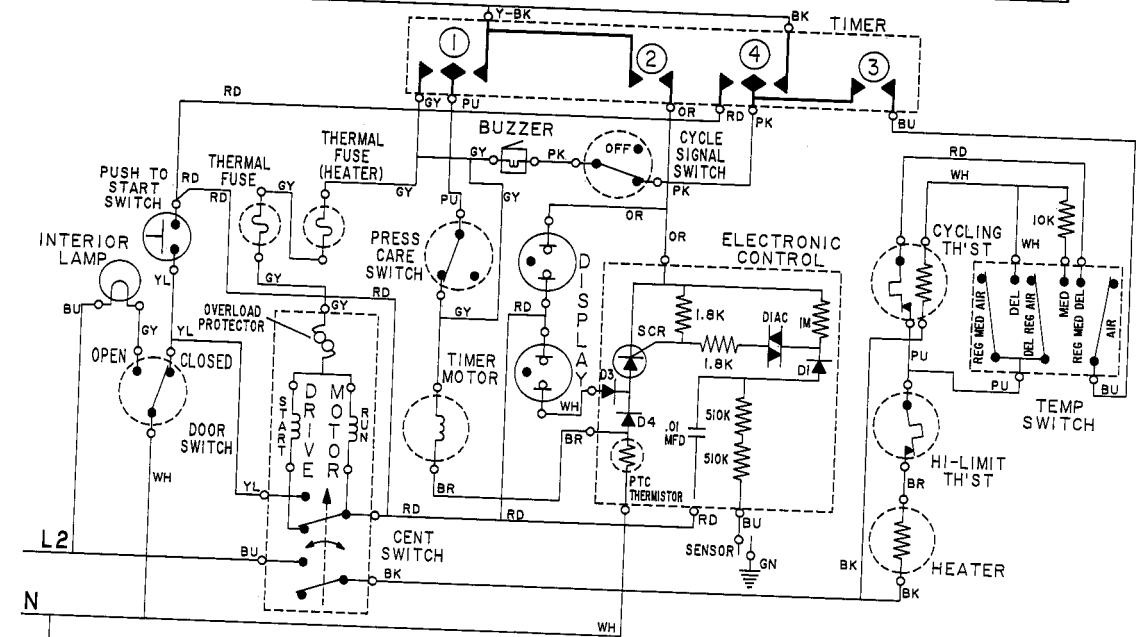
6 3158920

Refer to wiring diagram supplied with unit before attempting service.

LDE8824

CAM INFORMATION AND CONTACT DATA								
CAM NO.	CIRCUITS	FUNCTION	REG FABRIC	OFF	PERM PRESS	PRESS CARE	OFF	TIME DRY
1	Y-BK-PU Y-BK-GY	PRESS CARE DRIVE MOTOR	█	█	█	█	█	█
2	Y-BK-OR	ELECTRONIC CONTROL	█	█	█	█	█	█
3	BK-BU	HEATER	█	█	█	█	█	█
4	BK-PK PK-RD	BUZZER/HEATER PERM PRESS BUZZER *	█	█	█	█	█	█

L1 *ON* 5 SECONDS EVERY 5 MINUTES



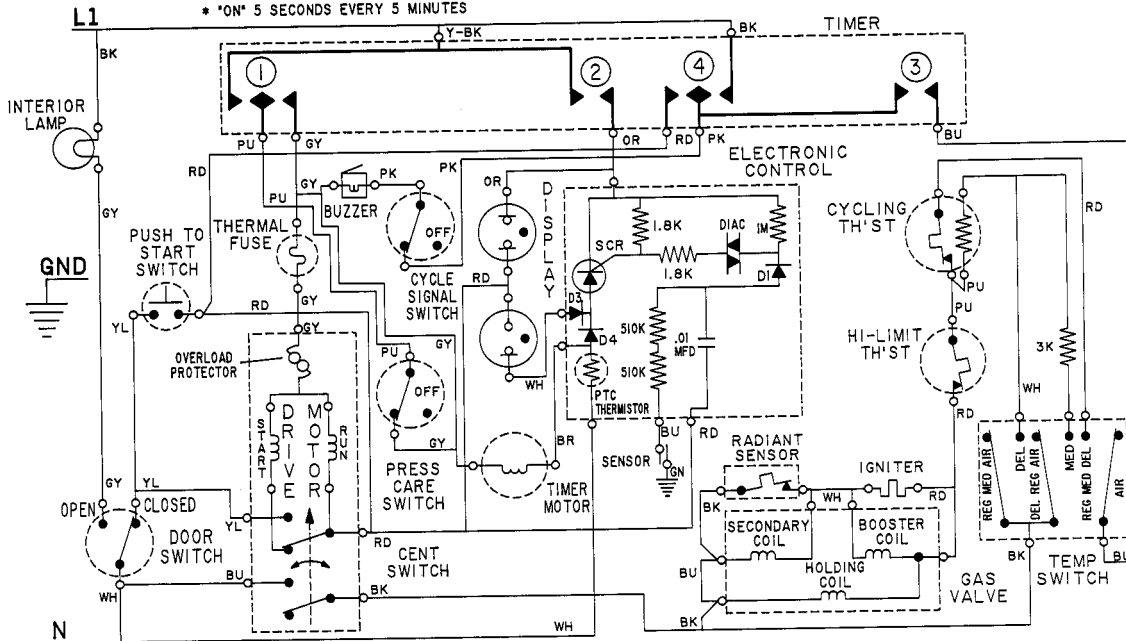
WIRING CONNECTION DIAGRAM 1083VD-1193
6 3158530

Refer to wiring diagram supplied with unit before attempting service.

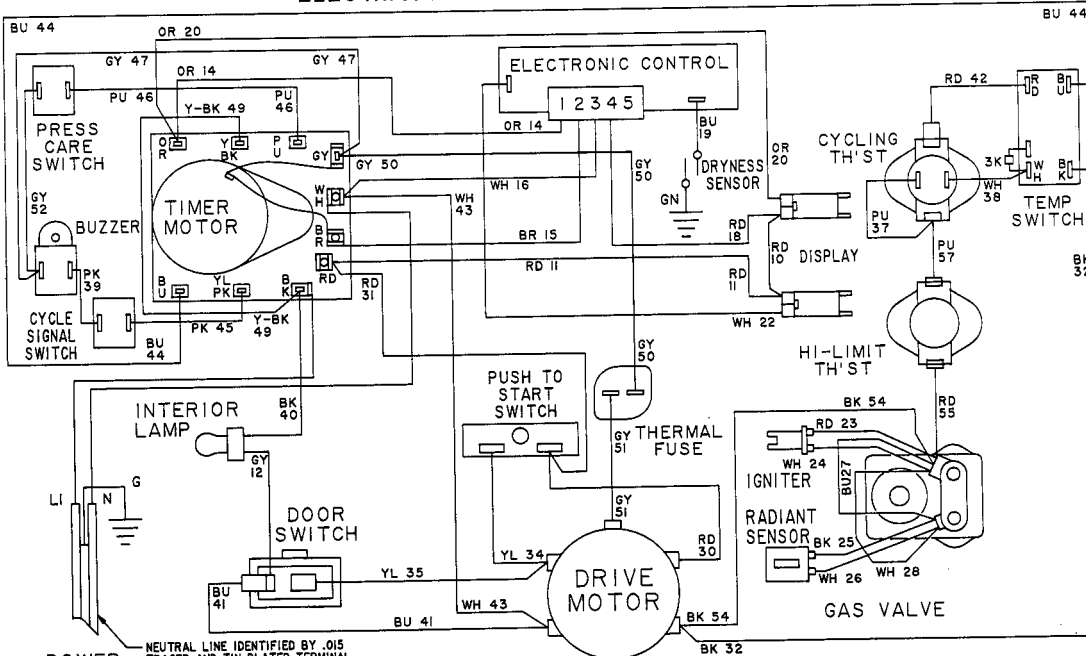
LDG8824

CAM INFORMATION AND CONTACT DATA			REG FABRIC	PERM PRESS	PRESS CARE	TIME DRY
CAM NO.	CIRCUITS	FUNCTION				
1	Y-BK-PU Y-BK-GY	PRESS CARE DRIVE MOTOR				
2	Y-BK-OR	ELECTRONIC CONTROL				
3	BK-BU	HEATER				
4	BK-PK PK-RD	BUZZER/HEATER PERM PRESS BUZZER *				

* *ON* 5 SECONDS EVERY 5 MINUTES



ELECTRICAL SCHEMATIC



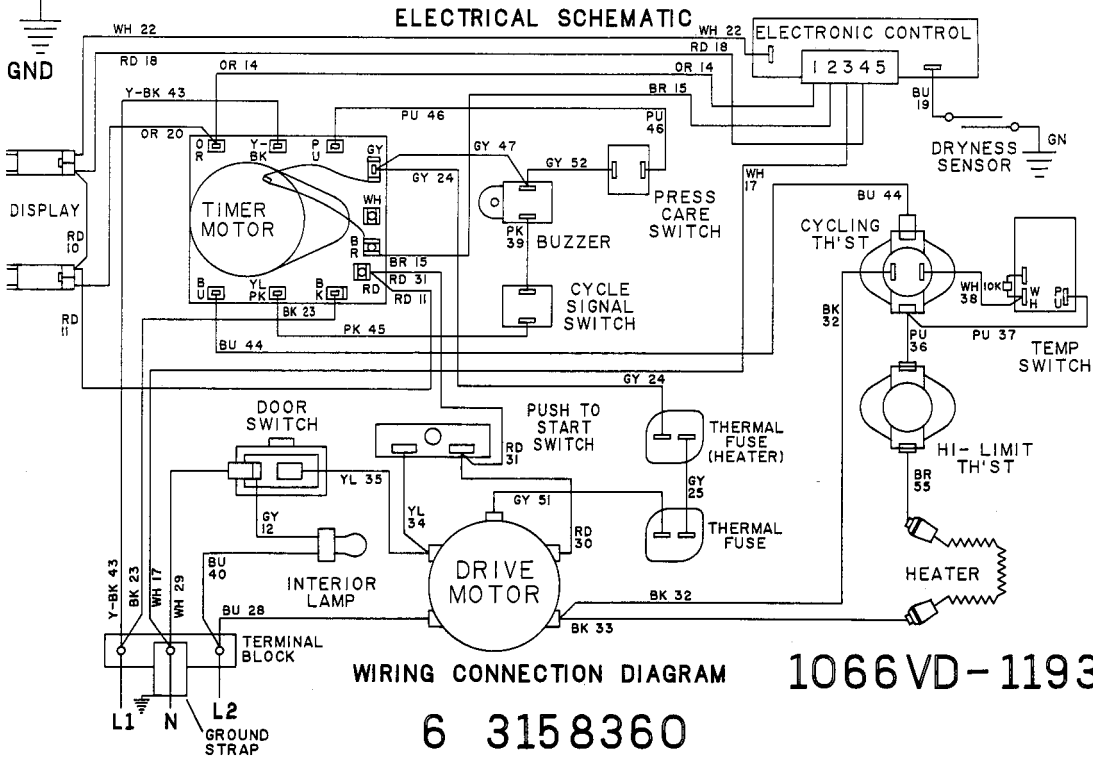
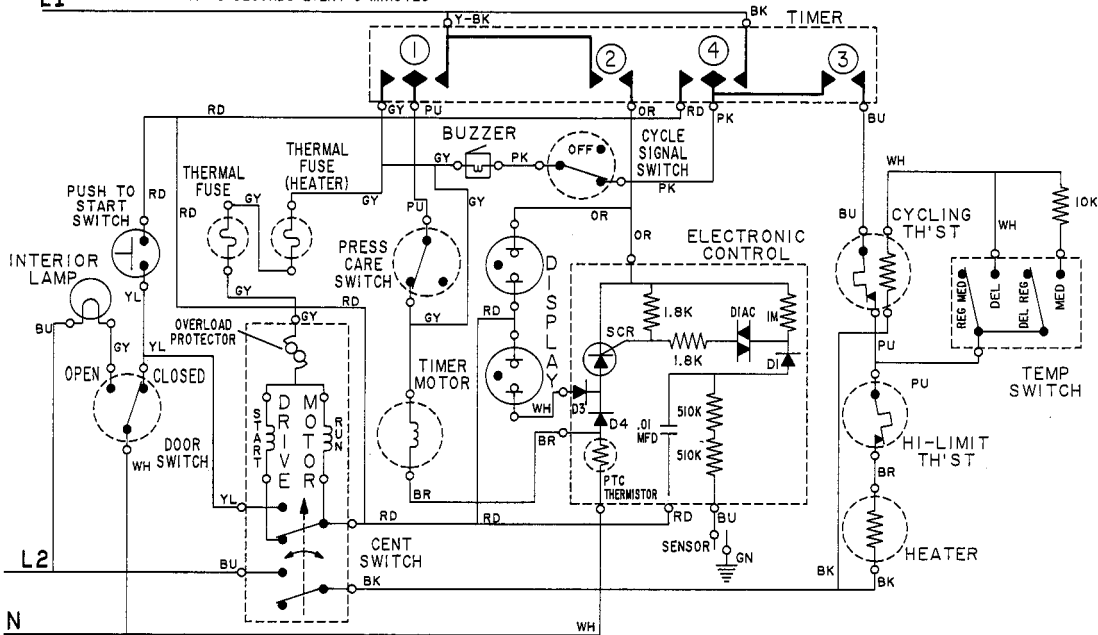
WIRING CONNECTION DIAGRAM
6 3158320 1062VD-1193

Refer to wiring diagram supplied with unit before attempting service.

LDE8904

CAM INFORMATION AND CONTACT DATA			REG FABRIC	OFF	PERM PRESS	PRESS CARE AIR FLUFF	OFF	TIME DRY	OFF
CAM NO.	CIRCUITS	FUNCTION							
1	Y-BK-PU Y-BK-GY	PRESS CARE DRIVE MOTOR	■	■	■	■	■	■	■
2	Y-BK-OR	ELECTRONIC CONTROL	■	■	■	■	■	■	■
3	BK-BU	HEATER	■	■	■	■	■	■	■
4	BK-PK PK-RD	BUZZER/HEATER PERM PRESS BUZZER *	■	■	■	■	■	■	■

L1

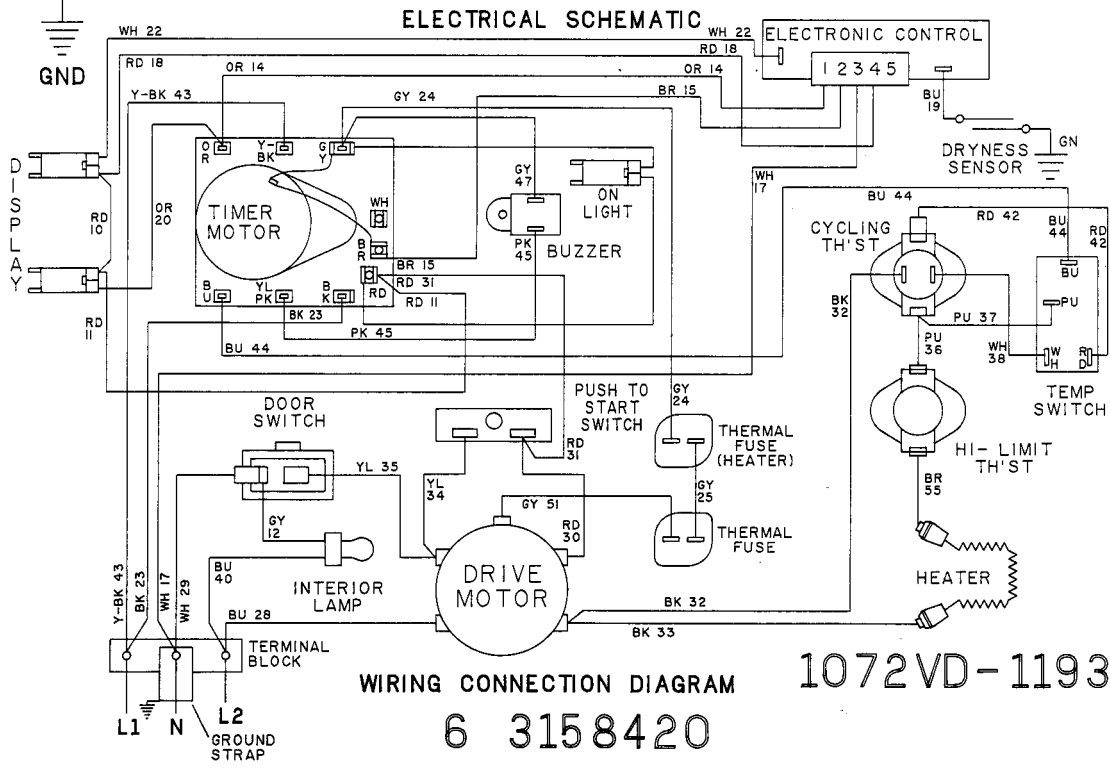
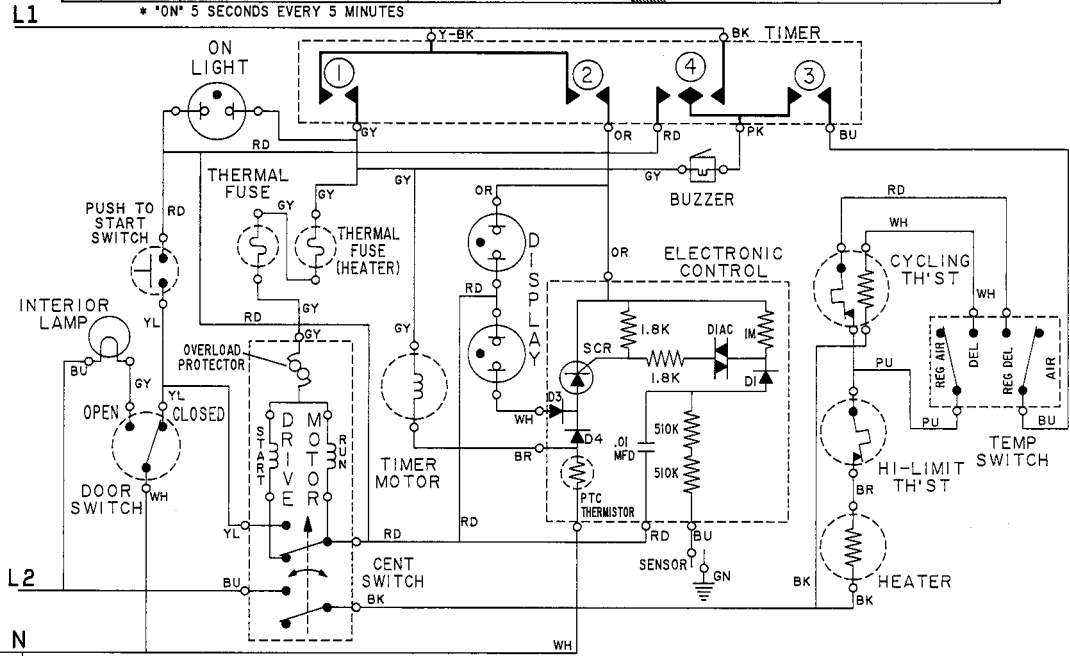


Refer to wiring diagram supplied with unit before attempting service.

LDE9304

CAM INFORMATION AND CONTACT DATA			REG	OFF	PERM	OFF	TIME DRY	PTO
CAM NO.	CIRCUITS	FUNCTION	FABRIC	F	PRESS	F	DRY	
1	Y-BK-GY	DRIVE MOTOR						
2	Y-BK-OR	ELECTRONIC CONTROL						
3	BK-BU	HEATER						
4	BK-PK	BUZZER/HEATER						
	PK-RD	PERM PRESS BUZZER *						

* *ON* 5 SECONDS EVERY 5 MINUTES

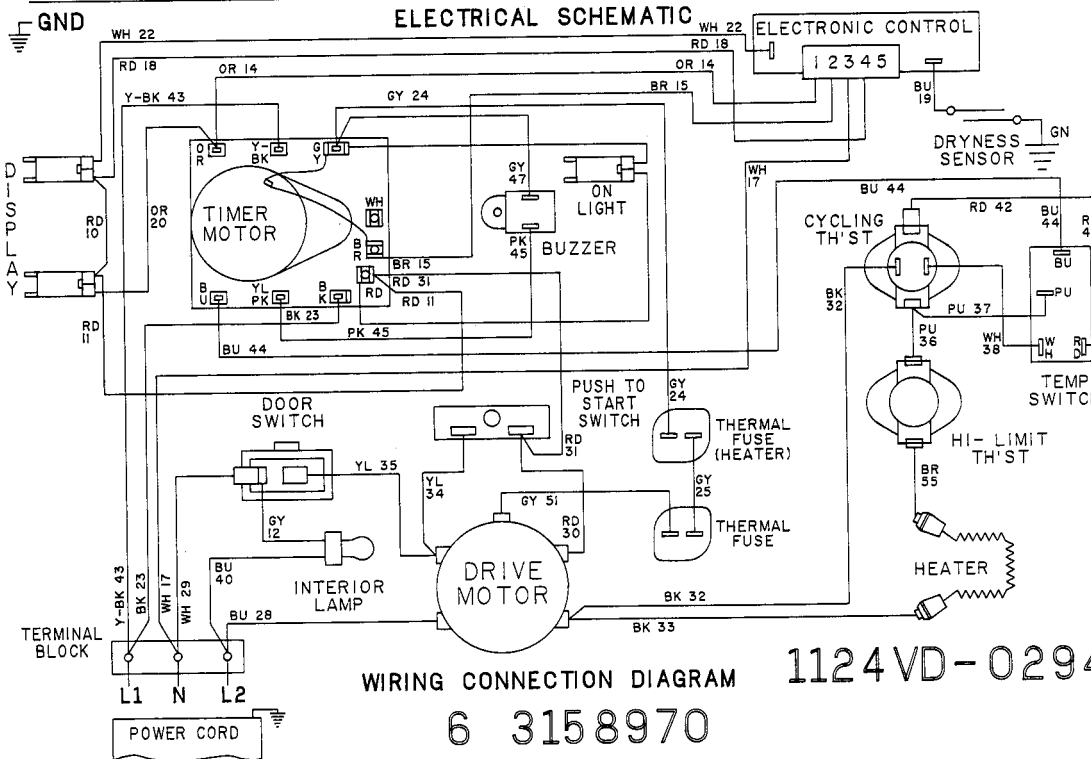
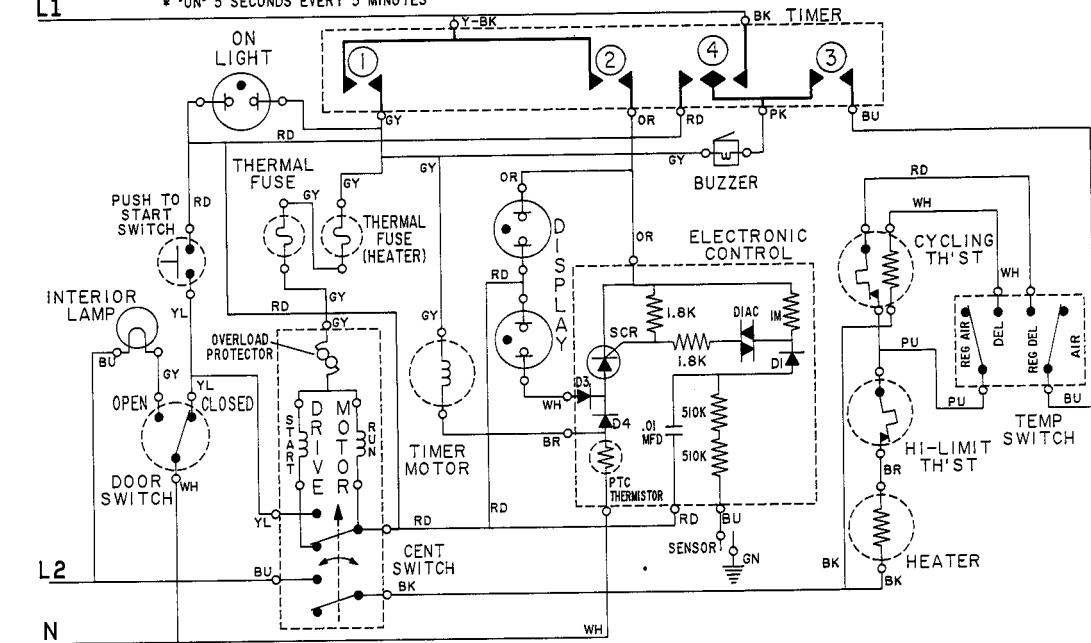


Refer to wiring diagram supplied with unit before attempting service.

LDE9304 CANADA

CAM INFORMATION AND CONTACT DATA			REG FABRIC	OFF	PERM PRESS	TIME DRY
CAM NO.	CIRCUITS	FUNCTION				
1	Y-BK-GY	DRIVE MOTOR				
2	Y-BK-OR	ELECTRONIC CONTROL				
3	BK-BU	HEATER				
4	BK-PK	BUZZER/HEATER				
	PK-RD	PERM PRESS BUZZER *				

L1 *ON 5 SECONDS EVERY 5 MINUTES



WIRING CONNECTION DIAGRAM

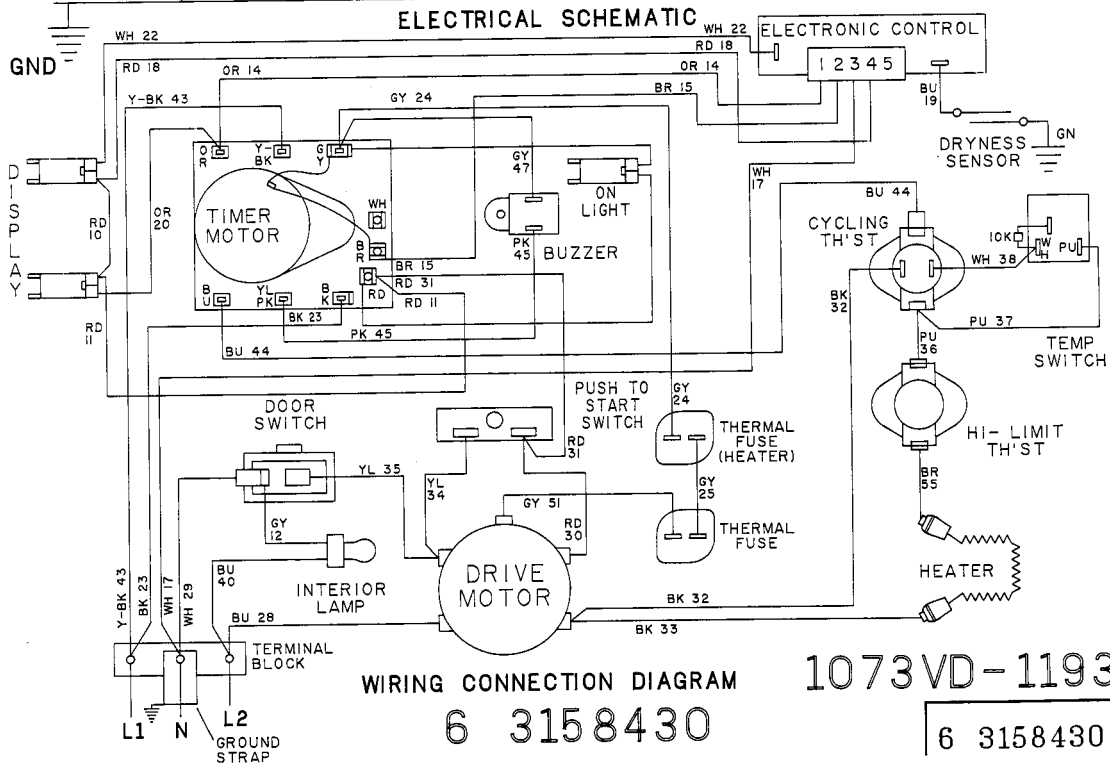
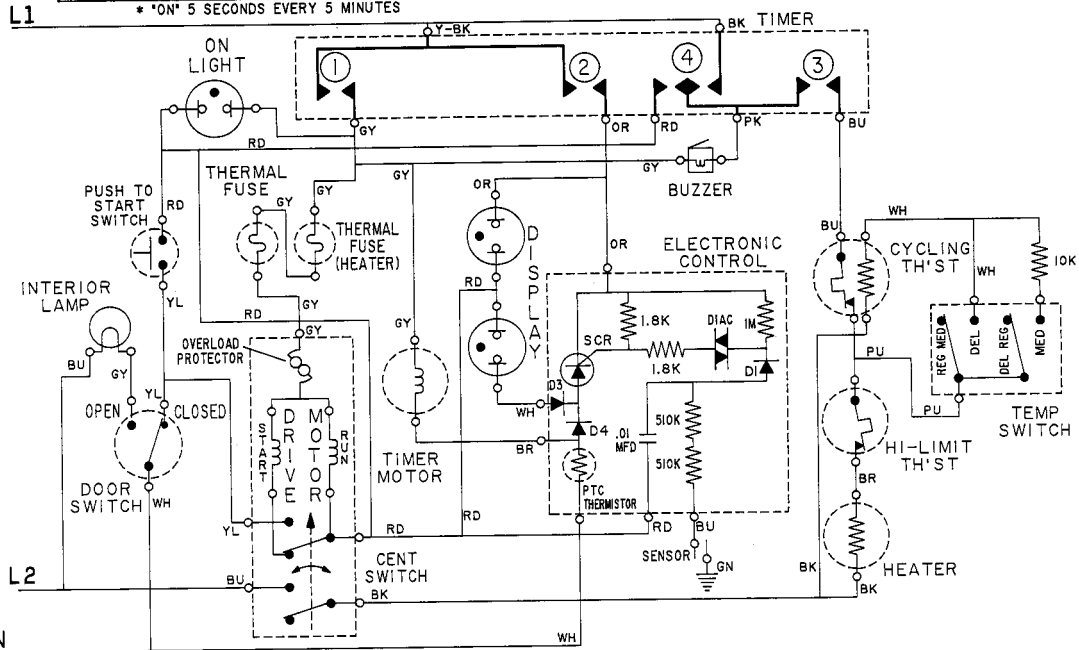
1124VD-0294

6 3158970

Refer to wiring diagram supplied with unit before attempting service.

LDE9314

CAM INFORMATION AND CONTACT DATA			REG FABRIC	PERM PRESS	PRESS CARE AIR FLUFF	TIME DRY
CAM NO.	CIRCUITS	FUNCTION				
1	Y-BK-GY	DRIVE MOTOR				
2	Y-BK-OR	ELECTRONIC CONTROL				
3	BK-BU	HEATER				
4	BK-PK PK-RD	BUZZER/HEATER PERM PRESS BUZZER *				



WIRING CONNECTION DIAGRAM

1073VD-1193

6 3158430

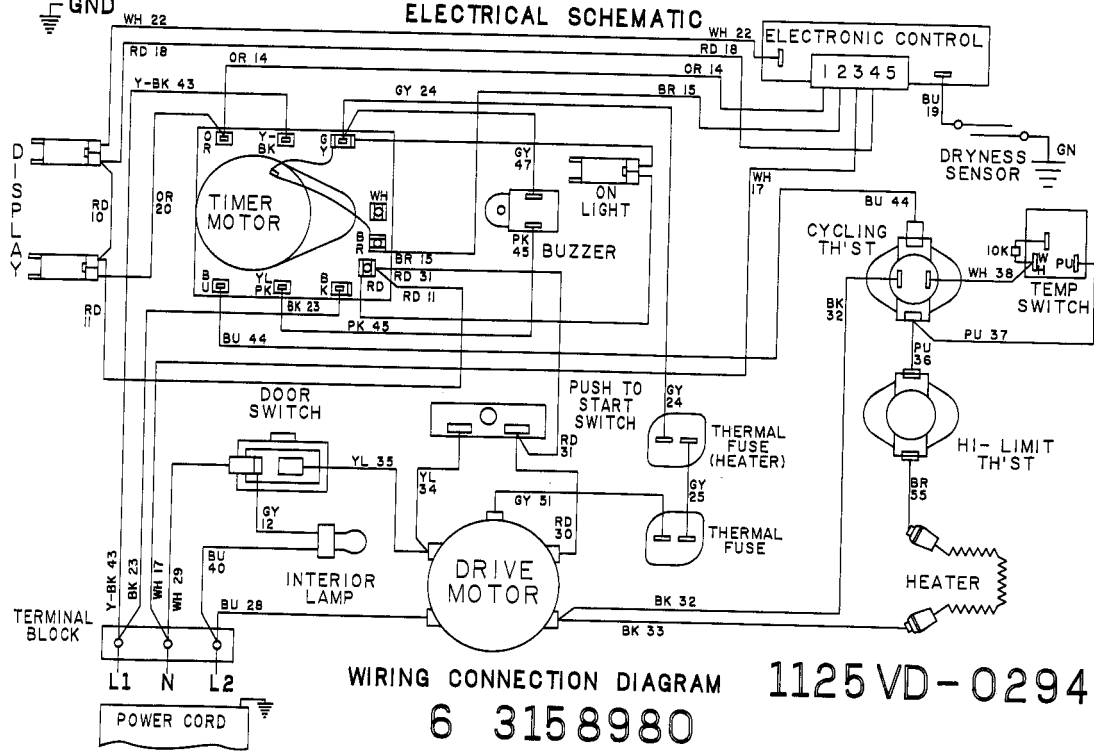
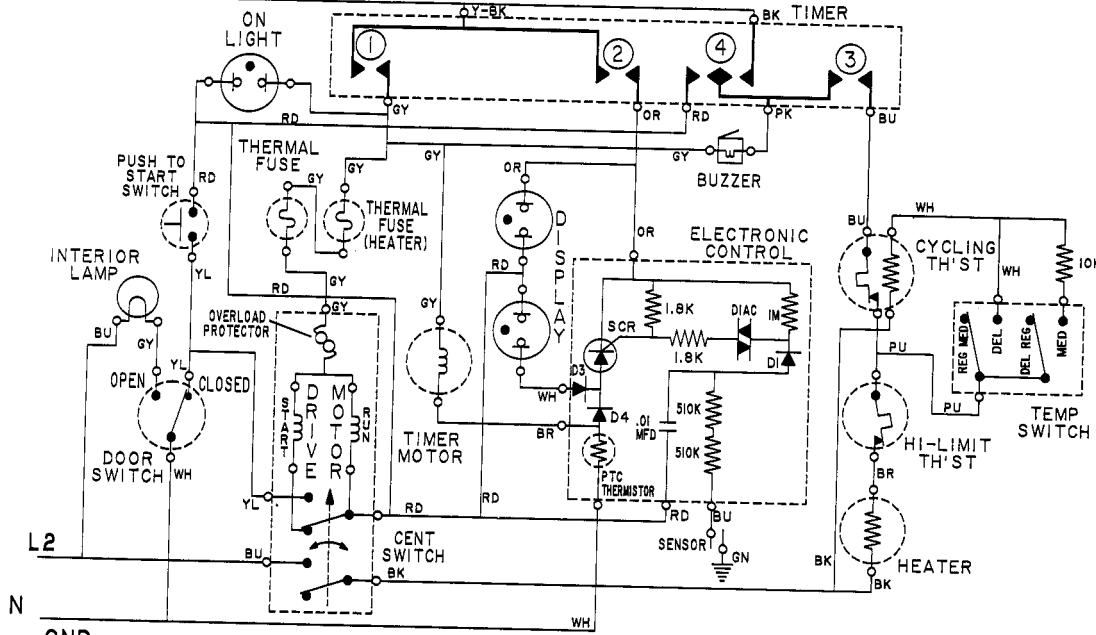
6 3158430

Refer to wiring diagram supplied with unit before attempting service.

LDE9314 CANADA

CAM INFORMATION AND CONTACT DATA			REG FABRIC	PERM PRESS	PRESS CARE AIR FLUFF	TIME DRY
CAM NO.	CIRCUITS	FUNCTION				
1	Y-BK-GY	DRIVE MOTOR				
2	Y-BK-OR	ELECTRONIC CONTROL				
3	BK-BU	HEATER				
4	BK-PK	BUZZER/HEATER				
	PK-RD	PERM PRESS BUZZER *				

* ON 5 SECONDS EVERY 5 MINUTES



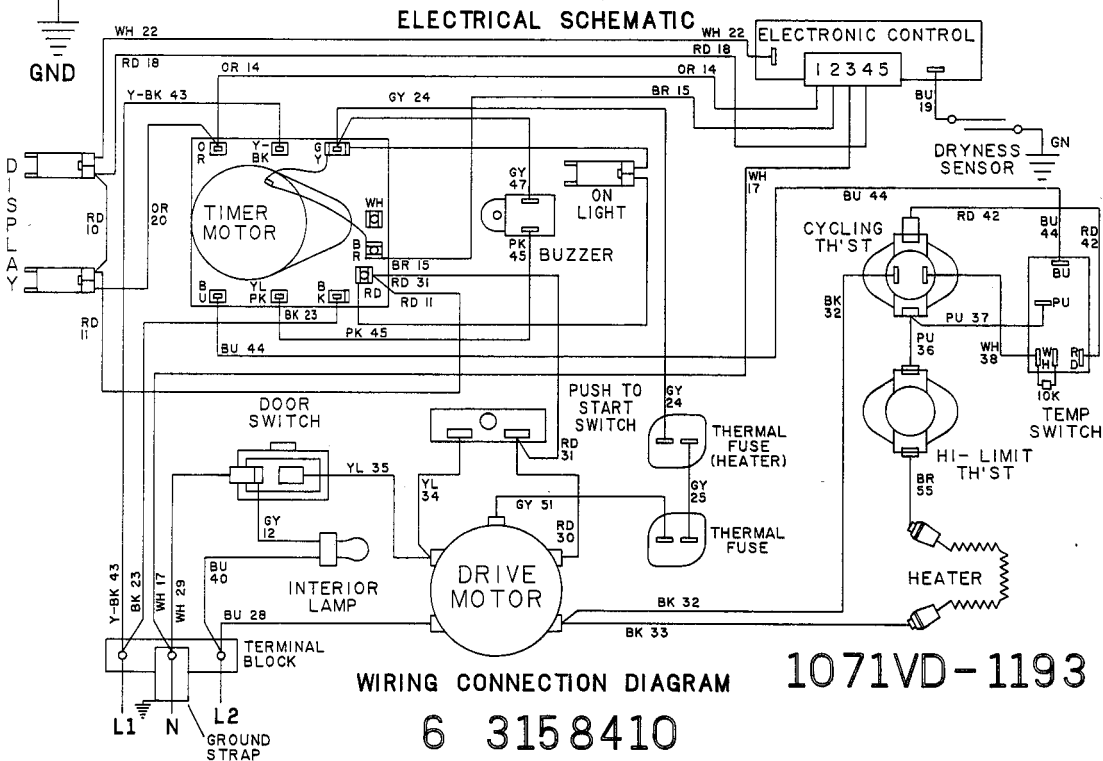
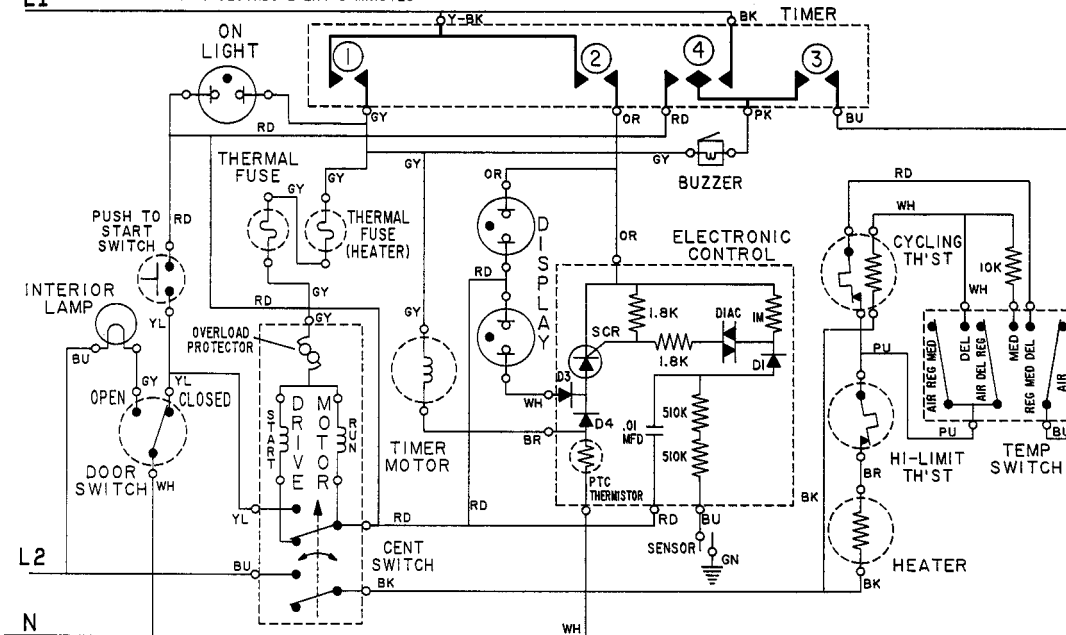
WIRING CONNECTION DIAGRAM 1125 VD-0294
6 3158980

Refer to wiring diagram supplied with unit before attempting service.

LDE9334

CAM INFORMATION AND CONTACT DATA			REG FABRIC	OFF	PERM PRESS	OLL	TIME DRY
CAM NO.	CIRCUITS	FUNCTION					
①	Y-BK-GY	DRIVE MOTOR	■	■	■	■	■
②	Y-BK-OR	ELECTRONIC CONTROL	■	■	■	■	■
③	BK-BU	HEATER	■	■	■	■	■
④	BK-PK	BUZZER/HEATER	■	■	■	■	■
	PK-RD	PERM PRESS BUZZER *	■	■	■	■	■

L1 *ON* 5 SECONDS EVERY 5 MINUTES



WIRING CONNECTION DIAGRAM

1071VD-1193

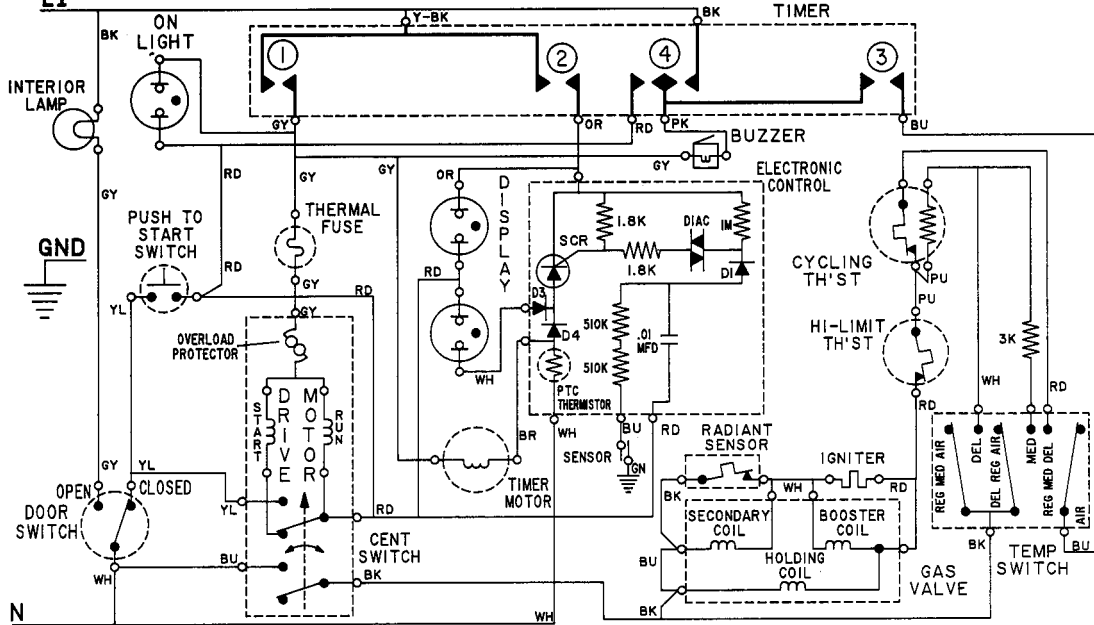
6 3158410

Refer to wiring diagram supplied with unit before attempting service.

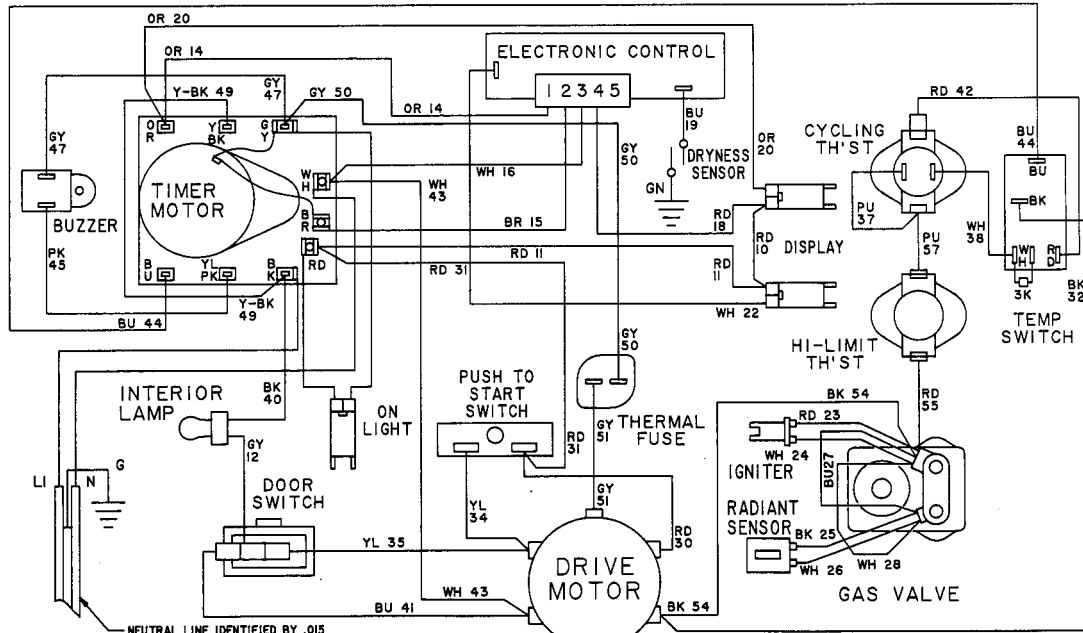
LDG9334

CAM INFORMATION AND CONTACT DATA			REG FABRIC	OFF	PERM PRESS	OFF	TIME DRY	OFF
CAM NO.	CIRCUITS	FUNCTION						
1	Y-BK-GY	DRIVE MOTOR						
2	Y-BK-OR	ELECTRONIC CONTROL						
3	BK-BU	HEATER						
4	BK-PK	BUZZER/HEATER						
	PK-RD	PERM PRESS BUZZER *						

L1 *ON* 5 SECONDS EVERY 5 MINUTES



ELECTRICAL SCHEMATIC



WIRING CONNECTION DIAGRAM
6 3158200 1050VD-1193

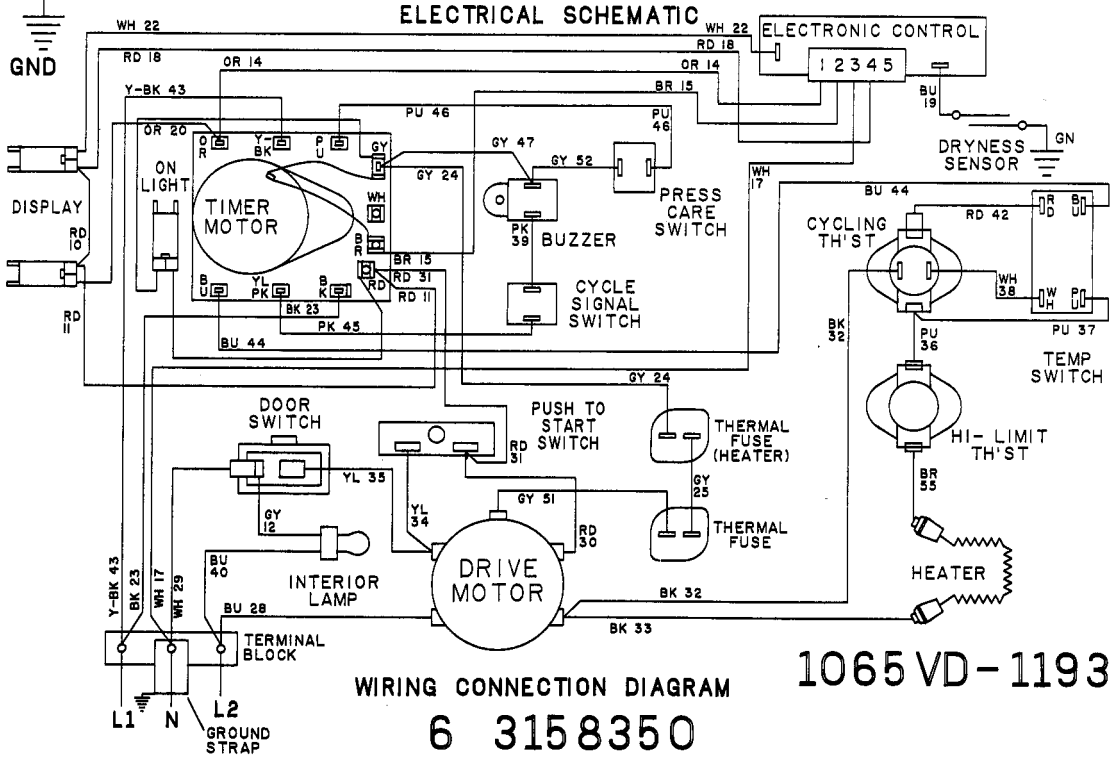
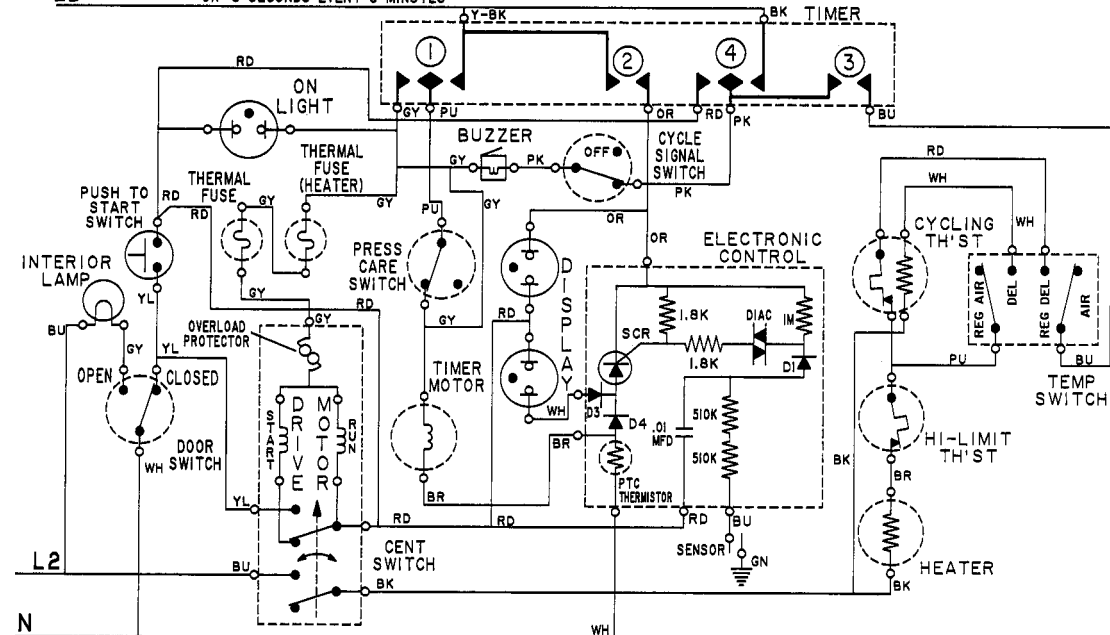
Refer to wiring diagram supplied with unit before attempting service.

LDE9804

CAM INFORMATION AND CONTACT DATA		REG FABRIC	PERM PRESS	PRESS CARE	TIME DRY
CAM NO.	CIRCUITS	FUNCTION			
1	Y-BK-PU PRESS CARE Y-BK-GY DRIVE MOTOR				
2	Y-BK-OR ELECTRONIC CONTROL				
3	BK-BU HEATER				
4	BK-PK BUZZER/HEATER PK-RD PERM PRESS BUZZER *				

* ON 5 SECONDS EVERY 5 MINUTES

L1

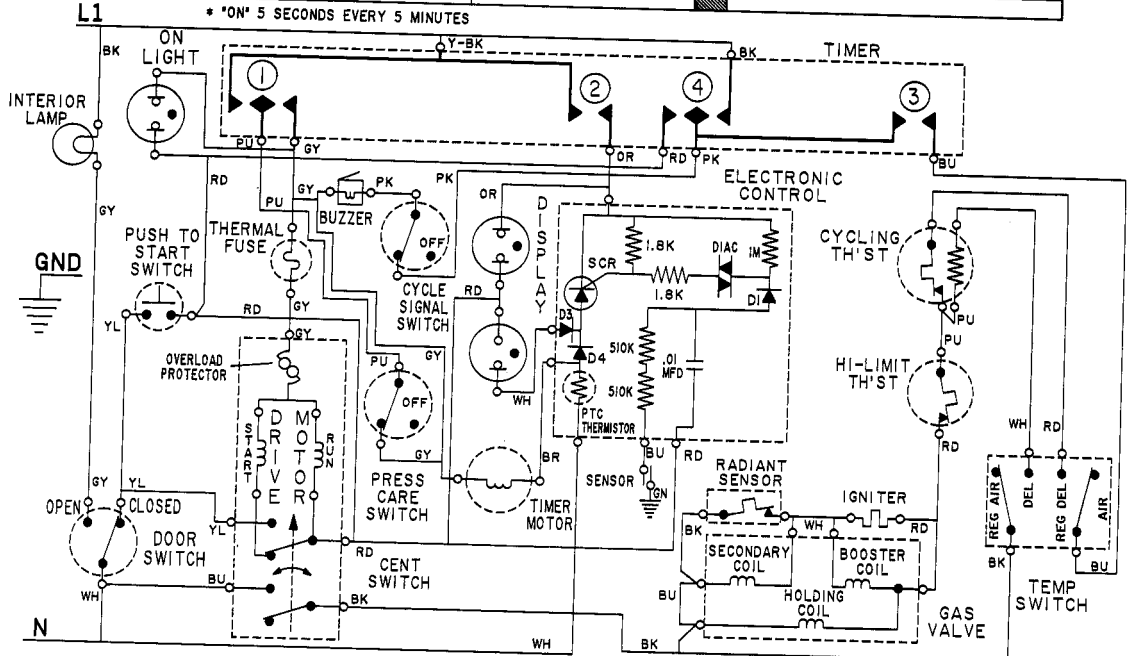


WIRING CONNECTION DIAGRAM
6 3158350

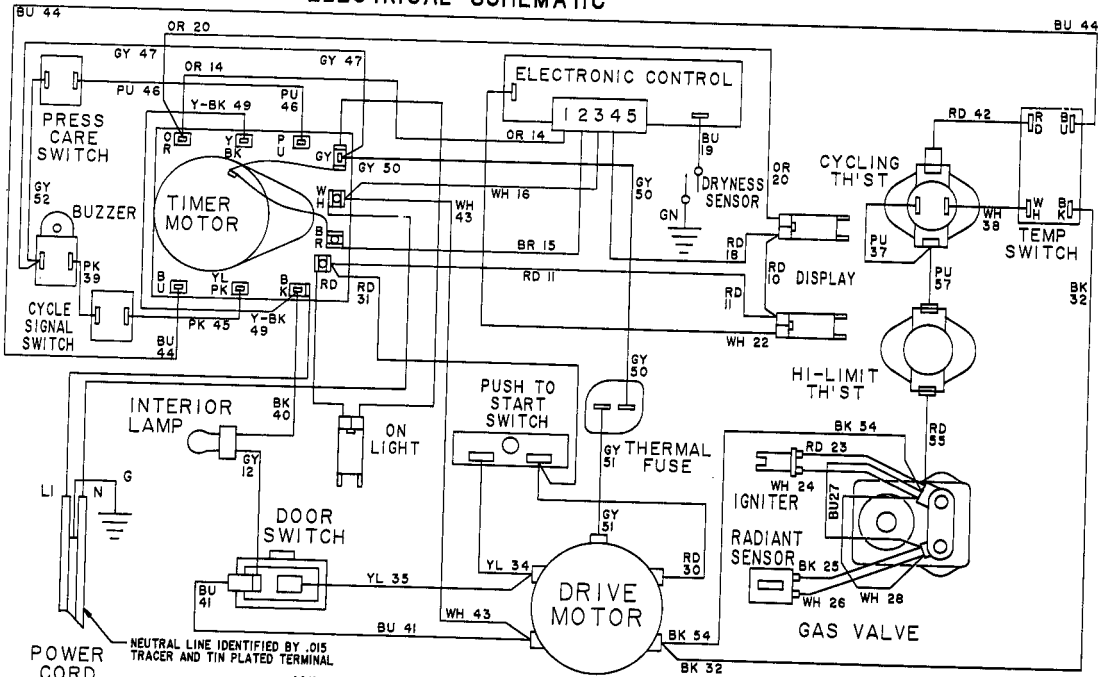
1065 VD-1193

Refer to wiring diagram supplied with unit before attempting service.

CAM INFORMATION AND CONTACT DATA			REG FABRIC	OFF	PERM PRESS	PRESS CARE	OFF	TIME DRY	OFF
CAM NO.	CIRCUITS	FUNCTION							
1	Y-BK-PU	PRESS CARE							
	Y-BK-GY	DRIVE MOTOR							
2	Y-BK-OR	ELECTRONIC CONTROL							
3	BK-BU	HEATER							
4	BK-PK	BUZZER/HEATER							
	PK-RD	PERM PRESS BUZZER *							



ELECTRICAL SCHEMATIC



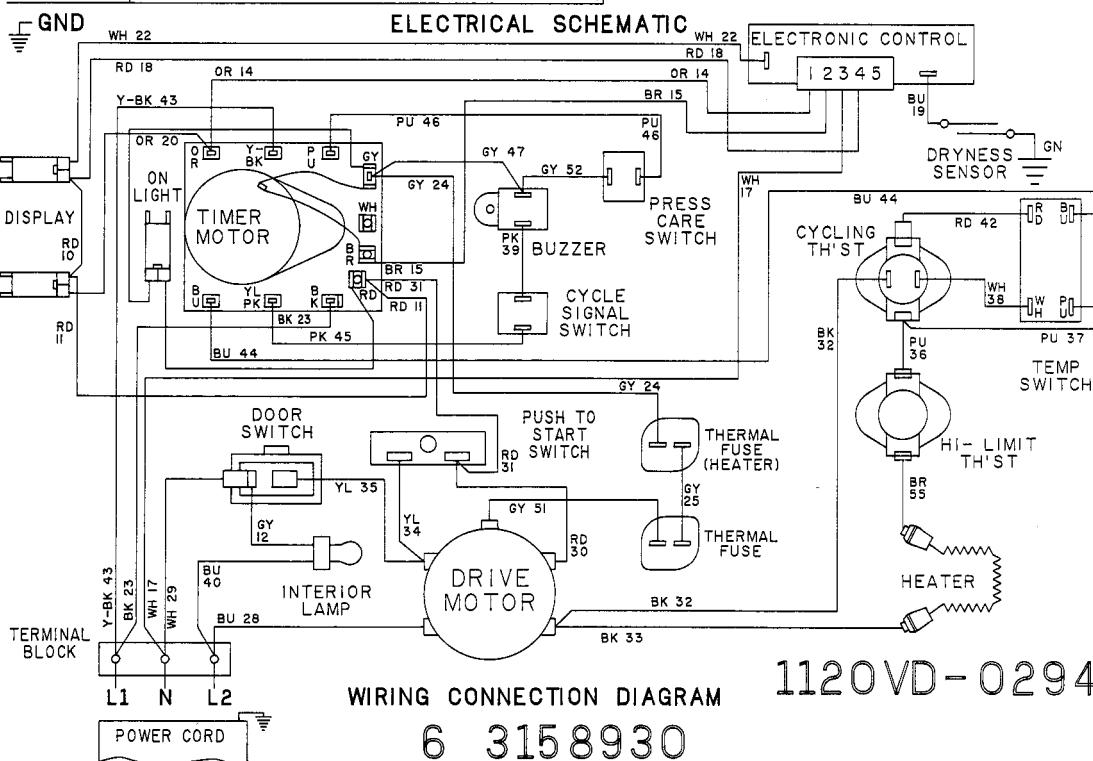
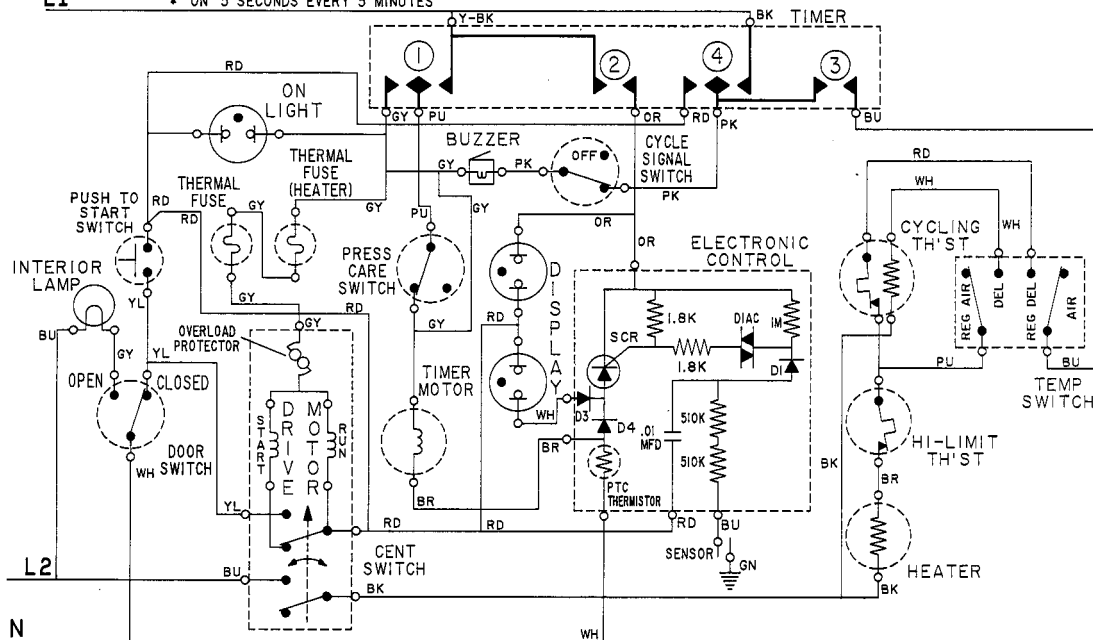
WIRING CONNECTION DIAGRAM
 6 3158140 1044VD-1193

Refer to wiring diagram supplied with unit before attempting service.

LDE9804 CANADA

CAM INFORMATION AND CONTACT DATA			REG FABRIC	OFF	PERM PRESS	PRESS CARE	OFF	TIME DRY	OFF
CAM NO.	CIRCUITS	FUNCTION							
①	Y-BK-PU PRESS CARE Y-BK-GY DRIVE MOTOR		■					■	
②	Y-BK-OR ELECTRONIC CONTROL		■						
③	BK-BU HEATER		■					■	
④	BK-PK BUZZER/HEATER PK-RD PERM PRESS BUZZER *		■					■	

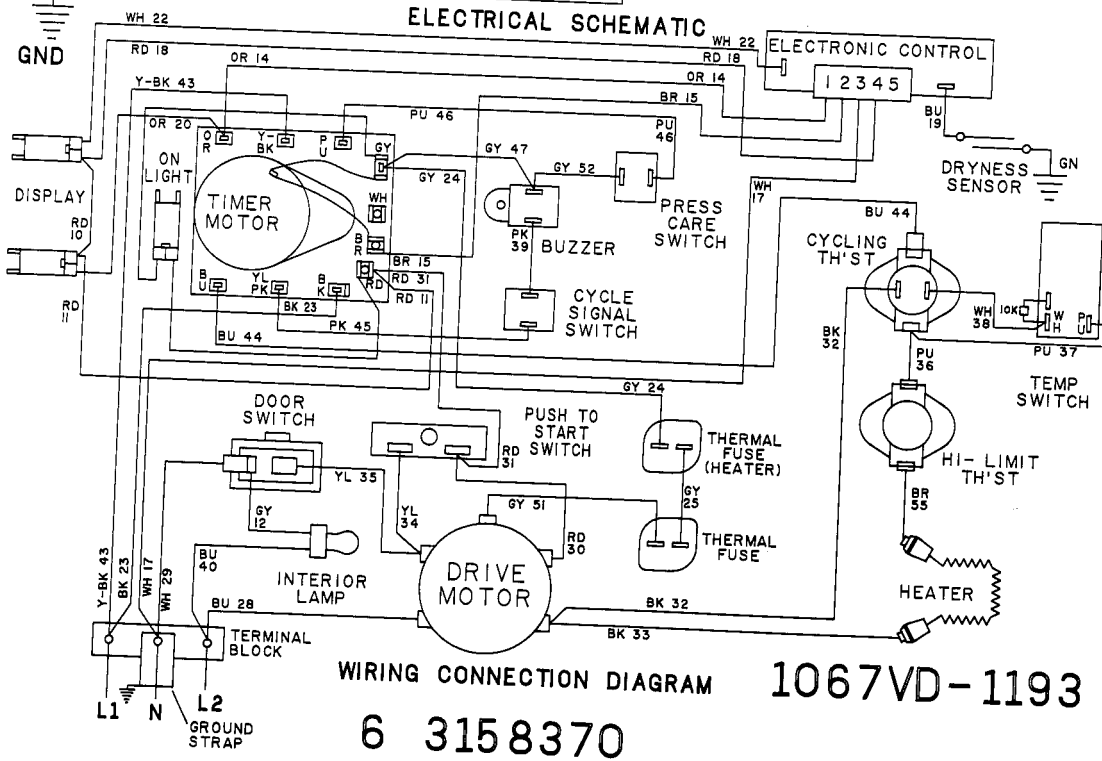
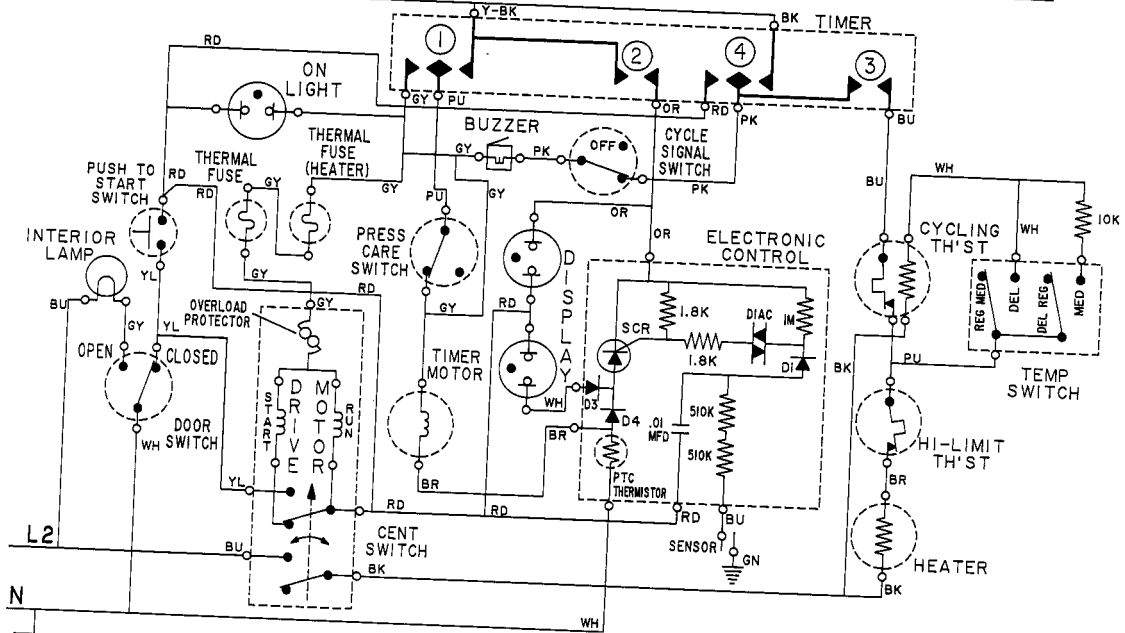
L1



Refer to wiring diagram supplied with unit before attempting service.

CAM INFORMATION AND CONTACT DATA			REG FABRIC	OFF	PERM PRESS	PRESS CARE AIR FLUFF	OFF	TIME DRY
CAM NO.	CIRCUITS	FUNCTION						
1	Y-BK-PU	PRESS CARE						
	Y-BK-GY	DRIVE MOTOR						
2	Y-BK-OR	ELECTRONIC CONTROL						
3	BK-BU	HEATER						
4	BK-PK	BUZZER/HEATER						
	PK-RD	PERM PRESS BUZZER *						

* ON* 5 SECONDS EVERY 5 MINUTES



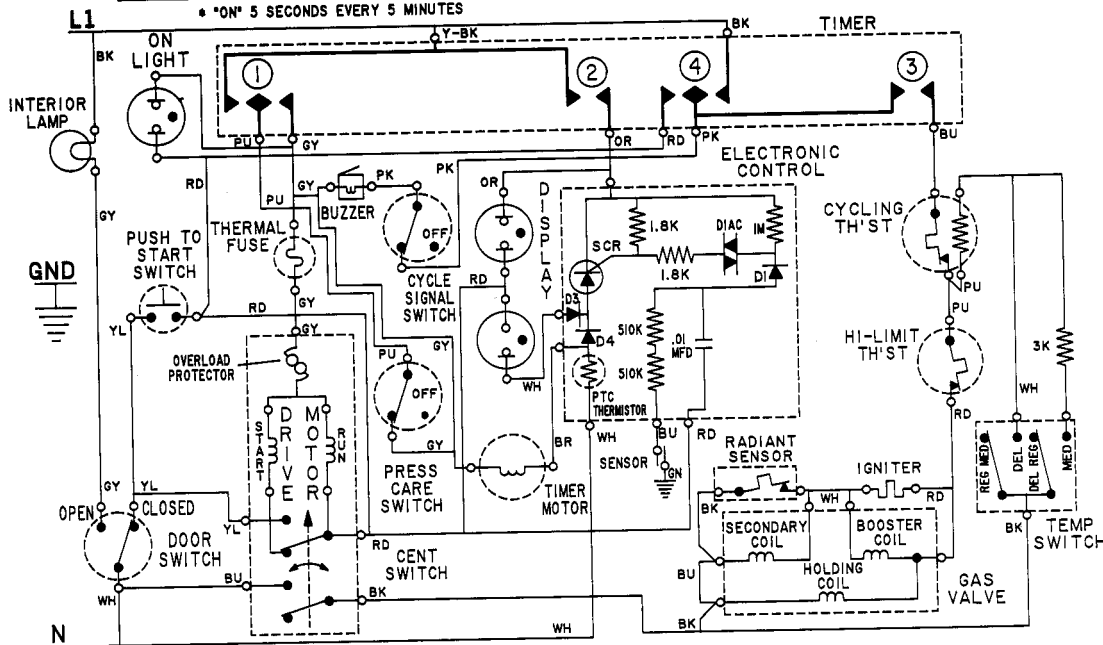
WIRING CONNECTION DIAGRAM 1067VD-1193
6 3158370

Refer to wiring diagram supplied with unit before attempting service.

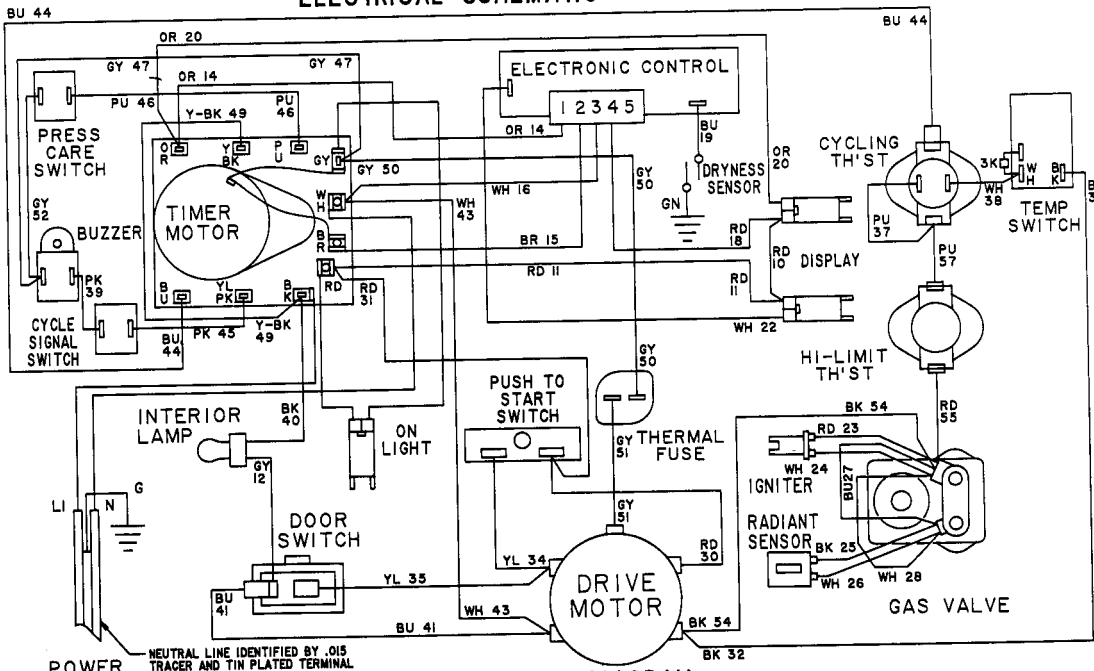
LDG9814

CAM INFORMATION AND CONTACT DATA			REG FABRIC	PERM PRESS	PRESS CARE AIR FLUFF	O.D.L.	TIME DRY
CAM NO.	CIRCUITS	FUNCTION					
1	Y-BK-PU Y-BK-GY	PRESS CARE DRIVE MOTOR					
2	Y-BK-OR	ELECTRONIC CONTROL					
3	BK-BU	HEATER					
4	BK-PK PK-RD	BUZZER/HEATER PERM PRESS BUZZER *					

* ON* 5 SECONDS EVERY 5 MINUTES



ELECTRICAL SCHEMATIC



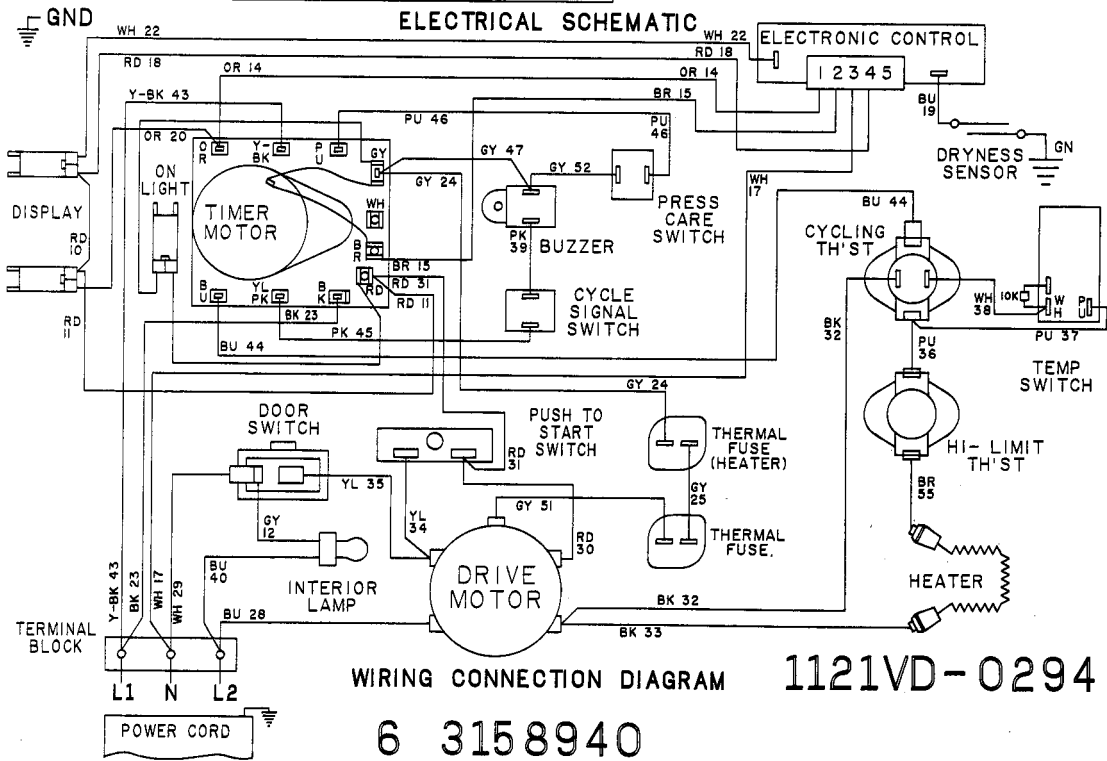
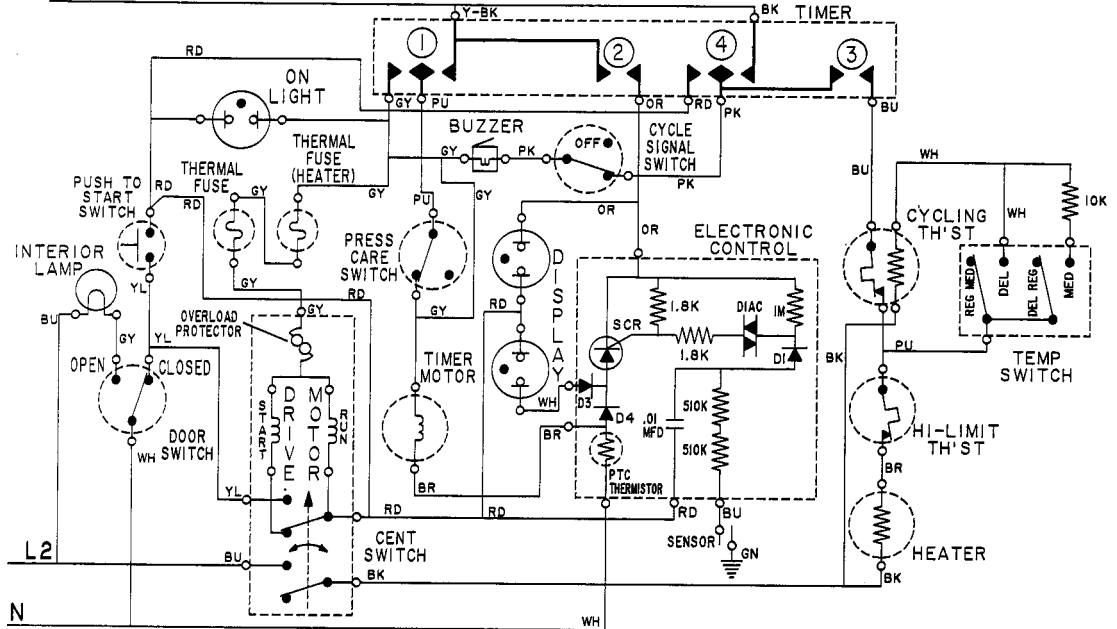
WIRING CONNECTION DIAGRAM
6 3158160 1046VD-1193

Refer to wiring diagram supplied with unit before attempting service.

LDE9814 CANADA

CAM INFORMATION AND CONTACT DATA			REG FABRIC	PERM PRESS	PRESS CARE AIR FLUFF	TIME DRY
CAM NO.	CIRCUITS	FUNCTION				
1	Y-BK-PU Y-BK-GY	PRESS CARE DRIVE MOTOR	■	■	■	■
2	Y-BK-OR	ELECTRONIC CONTROL	■	■	■	■
3	BK-BU	HEATER	■	■	■	■
4	BK-PK PK-RD	BUZZER/HEATER PERM PRESS BUZZER *	■	■	■	■

L1 * ON* 5 SECONDS EVERY 5 MINUTES

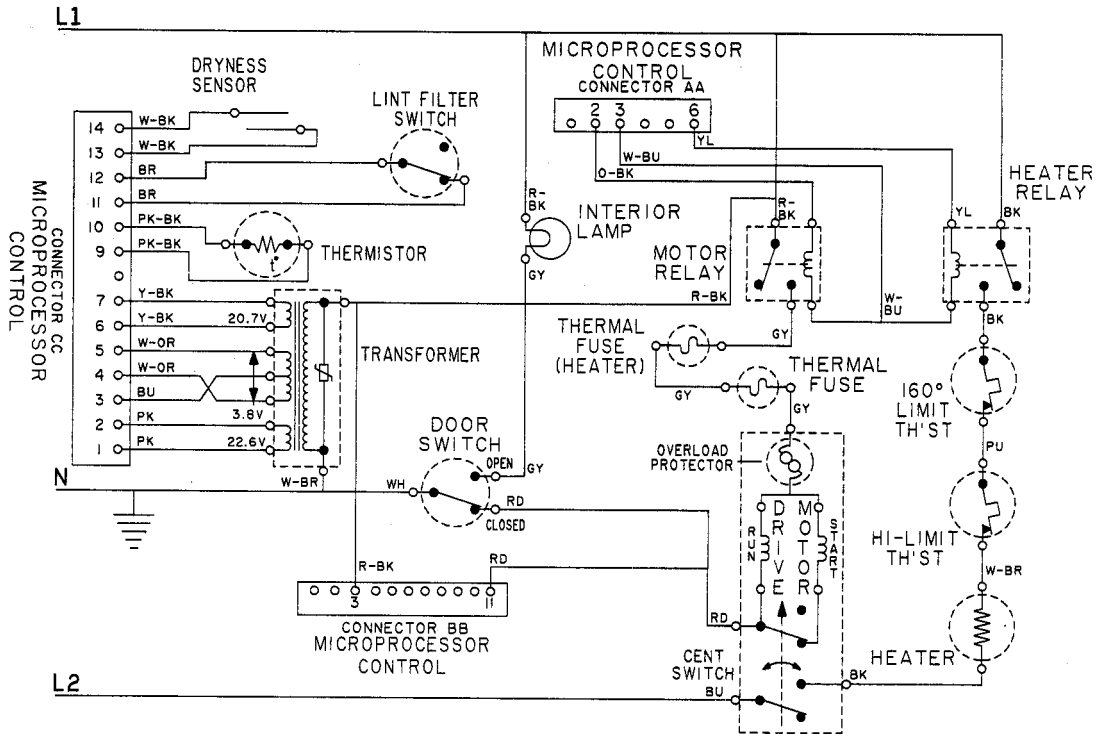


WIRING CONNECTION DIAGRAM

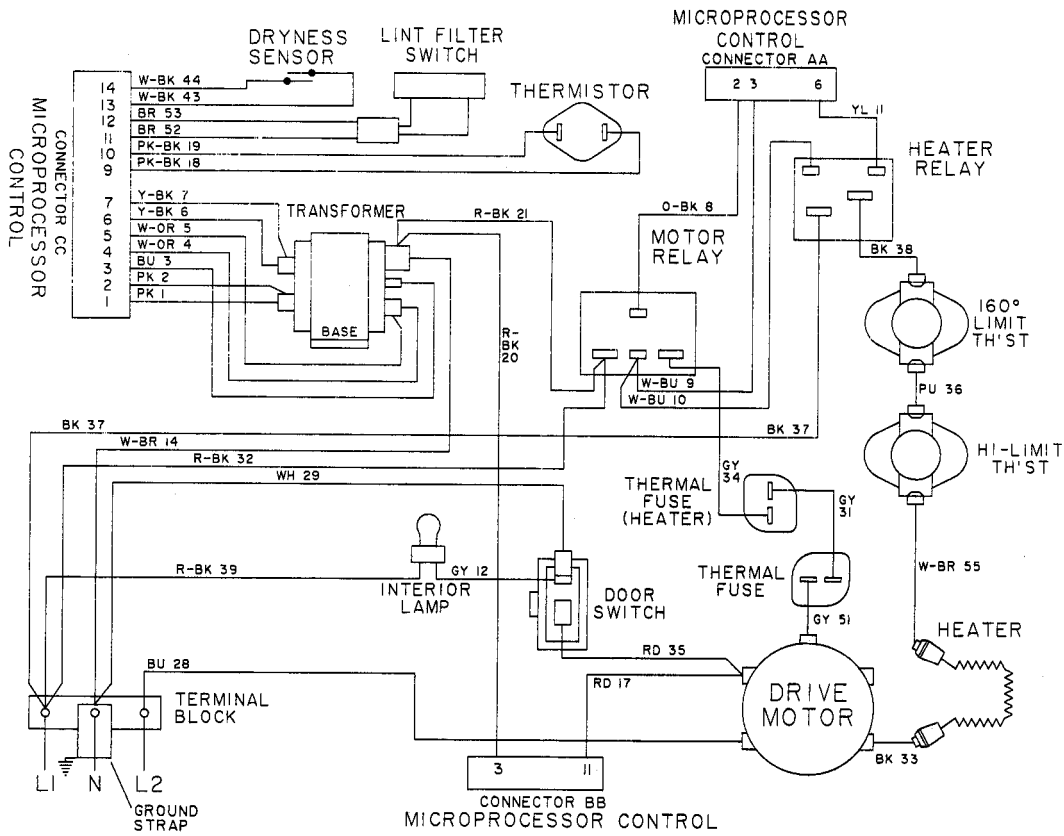
1121VD-0294

6 3158940

Refer to wiring diagram supplied with unit before attempting service.



ELECTRICAL SCHEMATIC



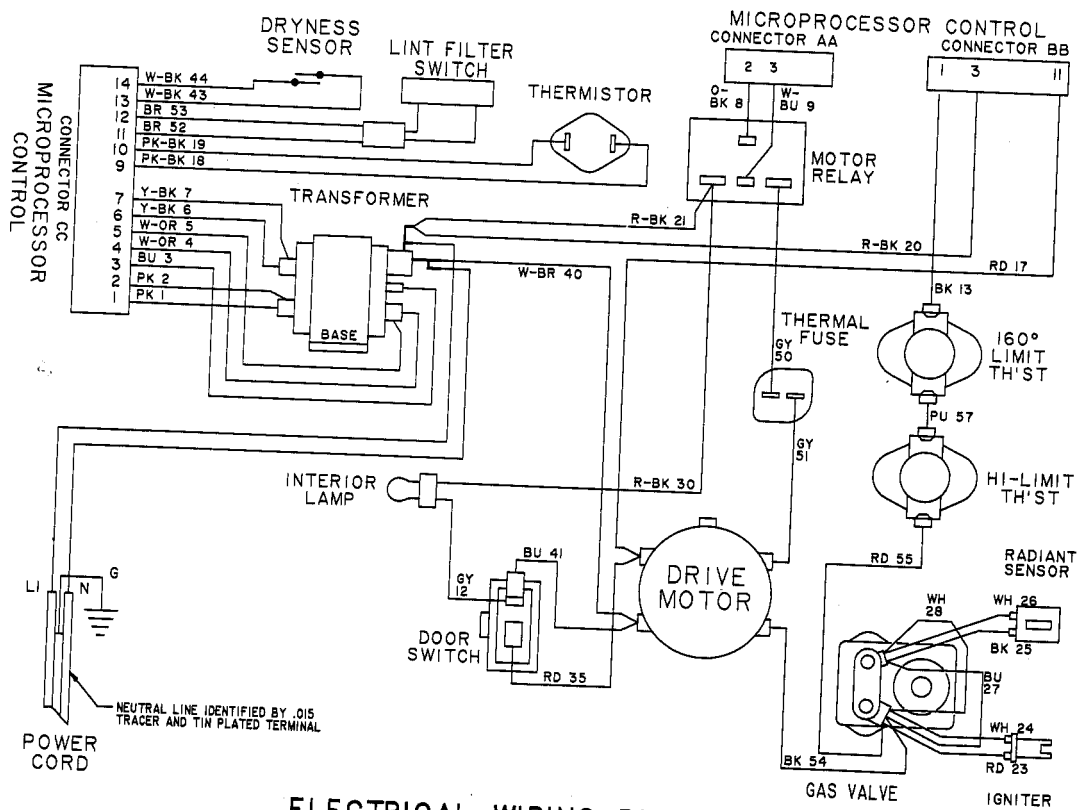
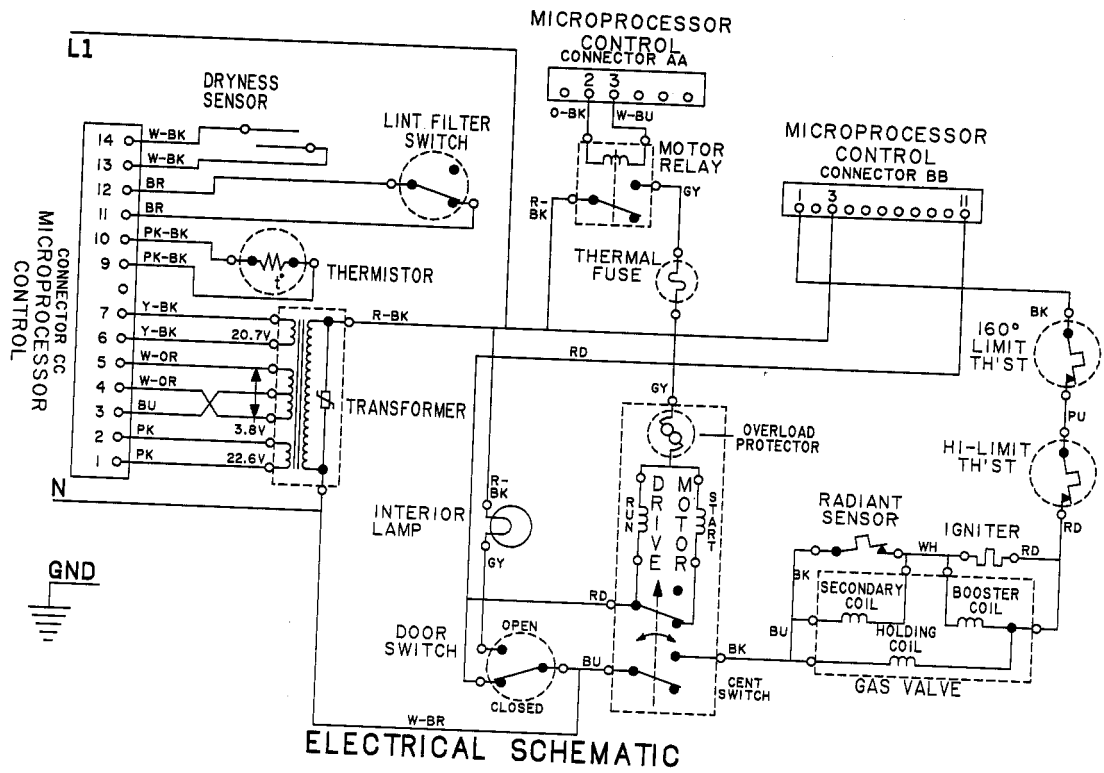
ELECTRICAL WIRING DIAGRAM

3-15029

739VD-0591

Refer to wiring diagram supplied with unit before attempting service.

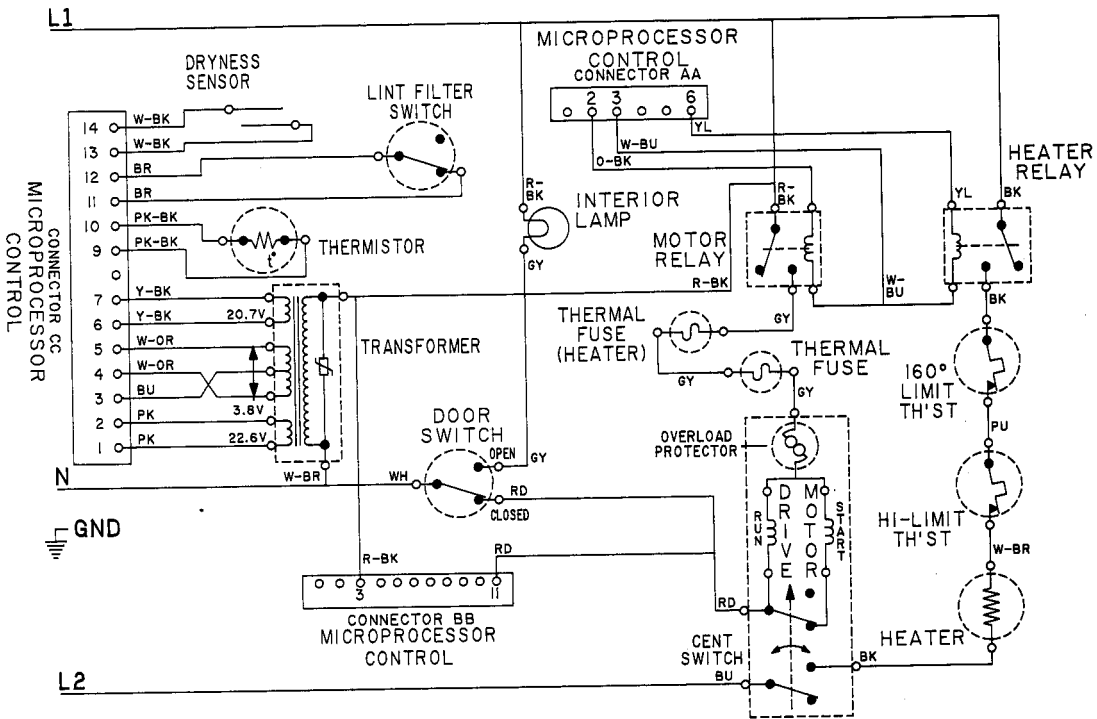
LDG9904



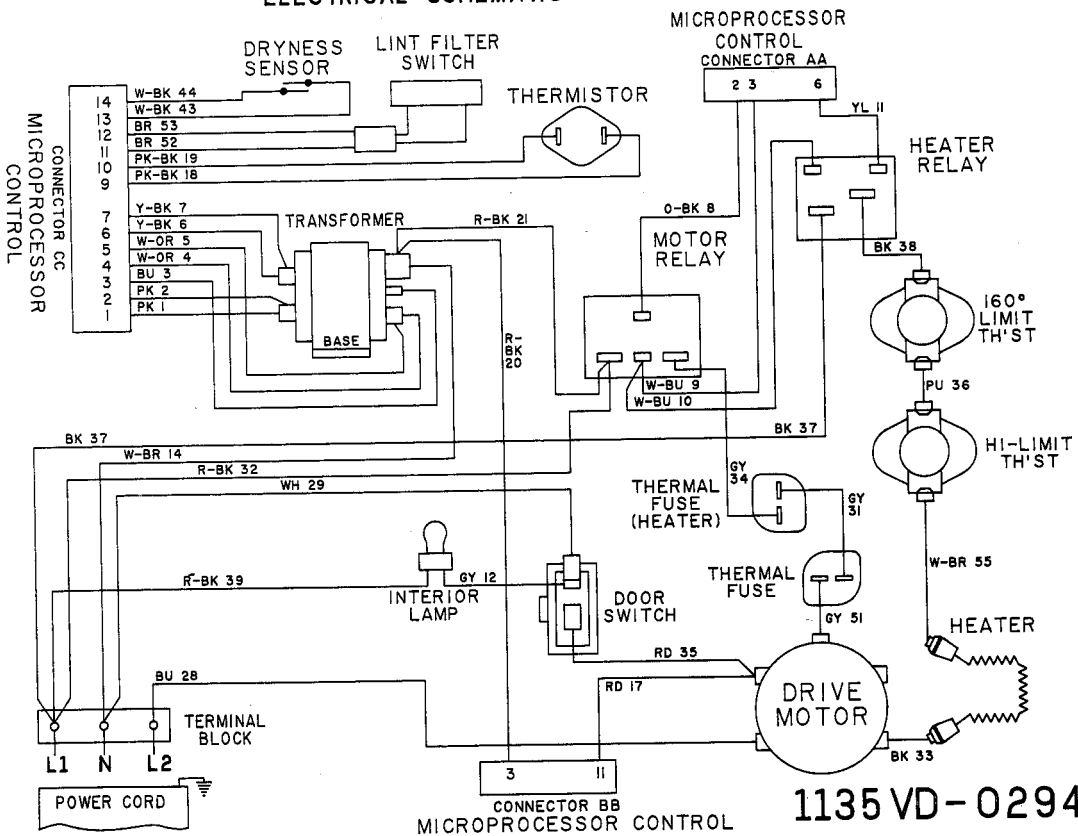
3-15032
740VD-0190

Refer to wiring diagram supplied with unit before attempting service.

LDE9904 CANADA



ELECTRICAL SCHEMATIC



ELECTRICAL WIRING DIAGRAM

6 3159070

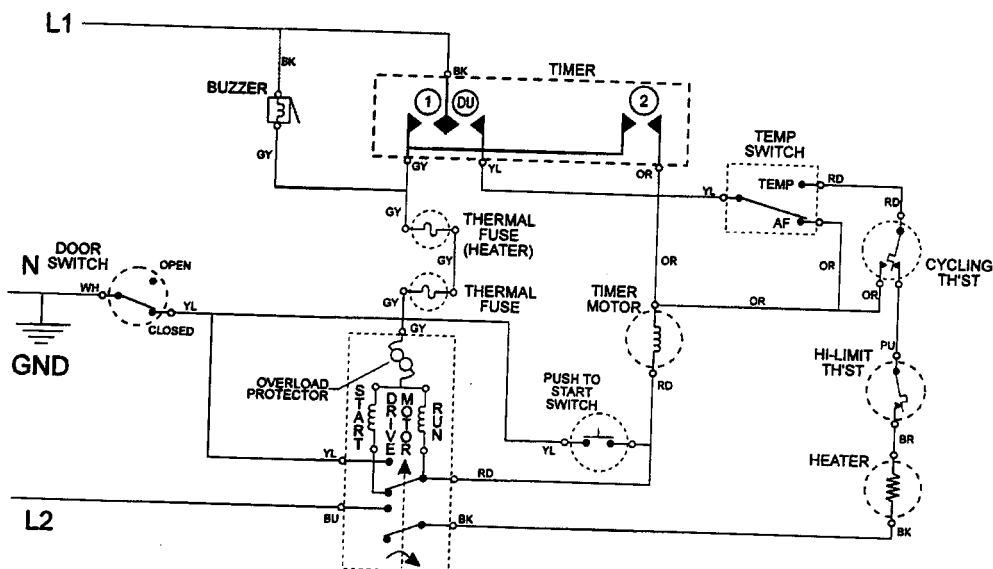
1135VD-0294

Refer to wiring diagram supplied with unit before attempting service.

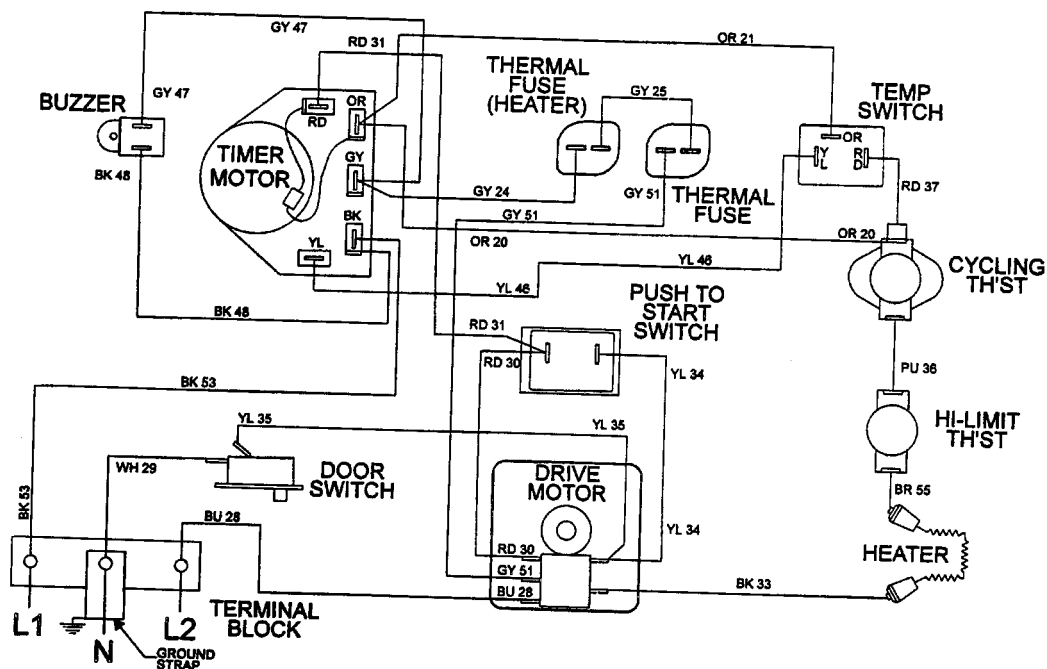
ELECTRICAL CIRCUITS/SCHEMATICS

LDE9206

CIRCUIT	FUNCTION	OFF	REG. FABRICS	OFF	TIME DRY	OFF	PERMANENT PRESS
①	BK-GY DRIVE MOTOR BK-YL HEATER						
②	BK-OR TIMER MOTOR						

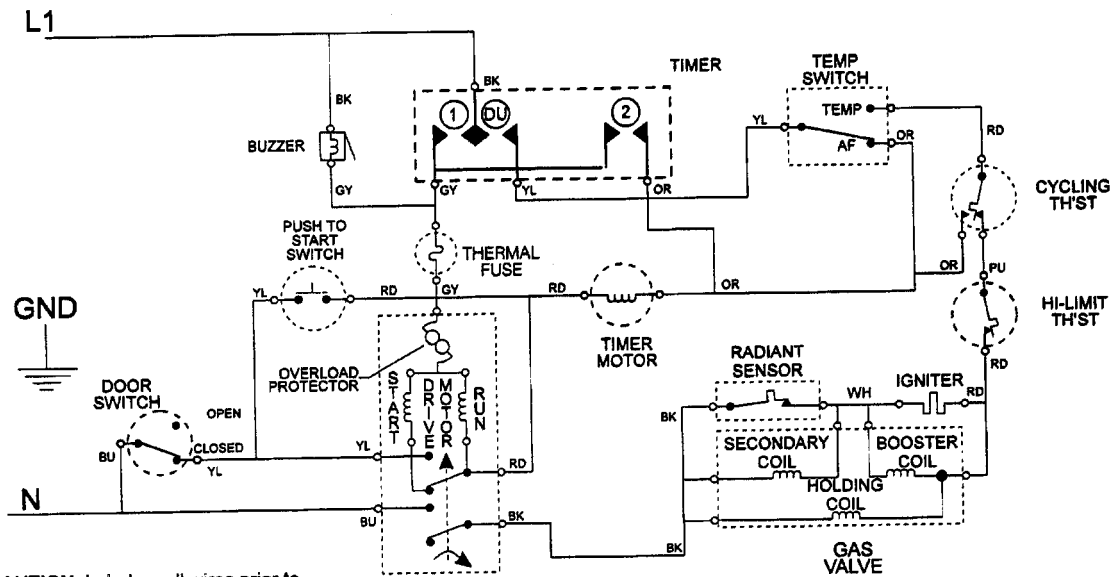


ELECTRICAL SCHEMATIC



LDG9206

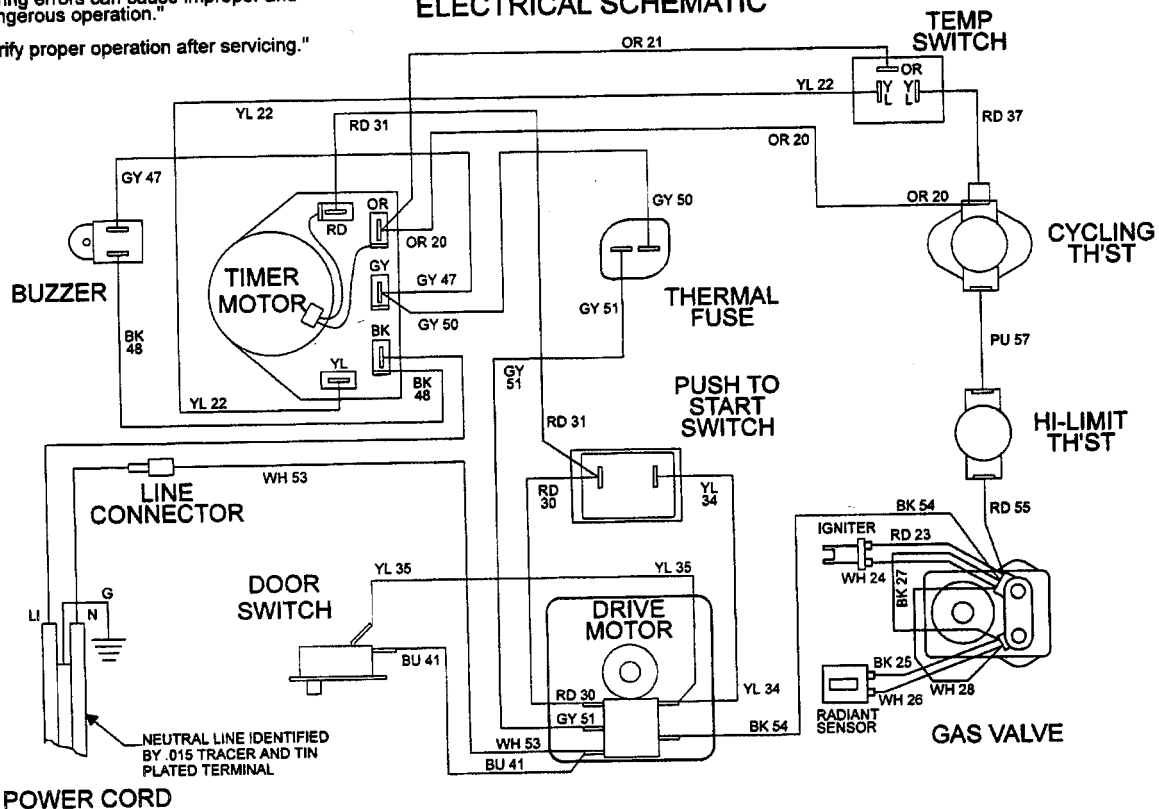
	CIRCUIT	FUNCTION	OFF	REG. FABRICS	OFF	TIME DRY	OFF	PERMANENT PRESS
1	BK-GY	DRIVE MOTOR						
	BK-YL	HEATER						
2	BK-OR	TIMER MOTOR						



"CAUTION: Label on all wires prior to disconnection when servicing controls. Wiring errors can cause improper and dangerous operation."

"Verify proper operation after servicing."

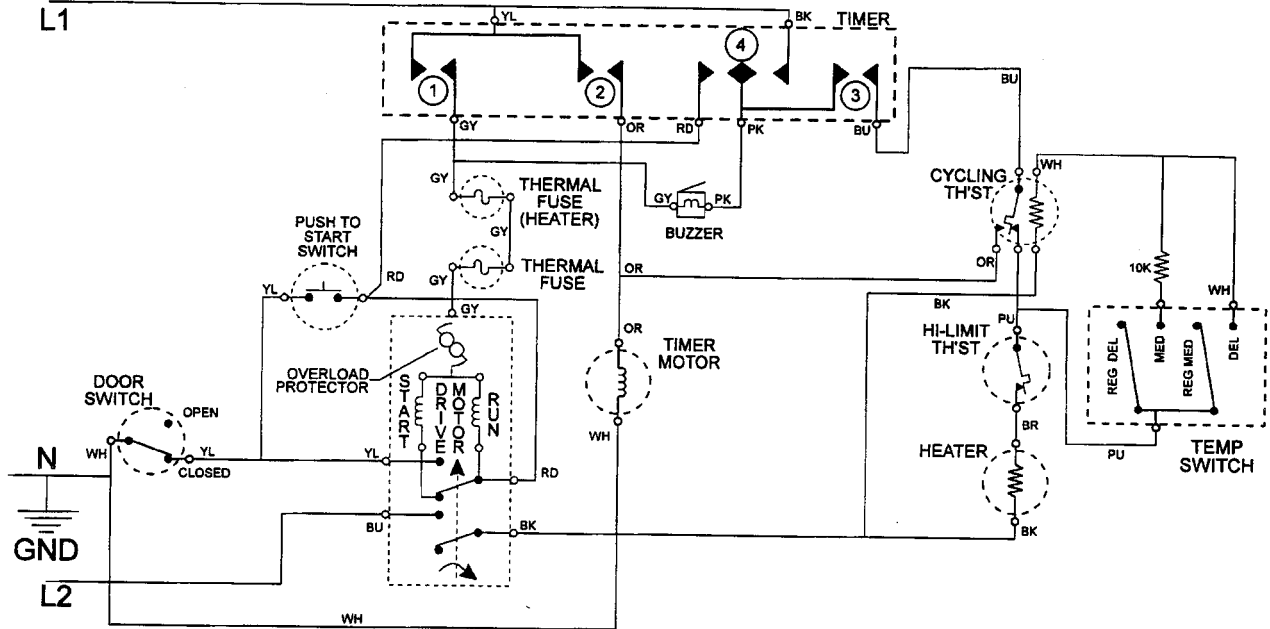
ELECTRICAL SCHEMATIC



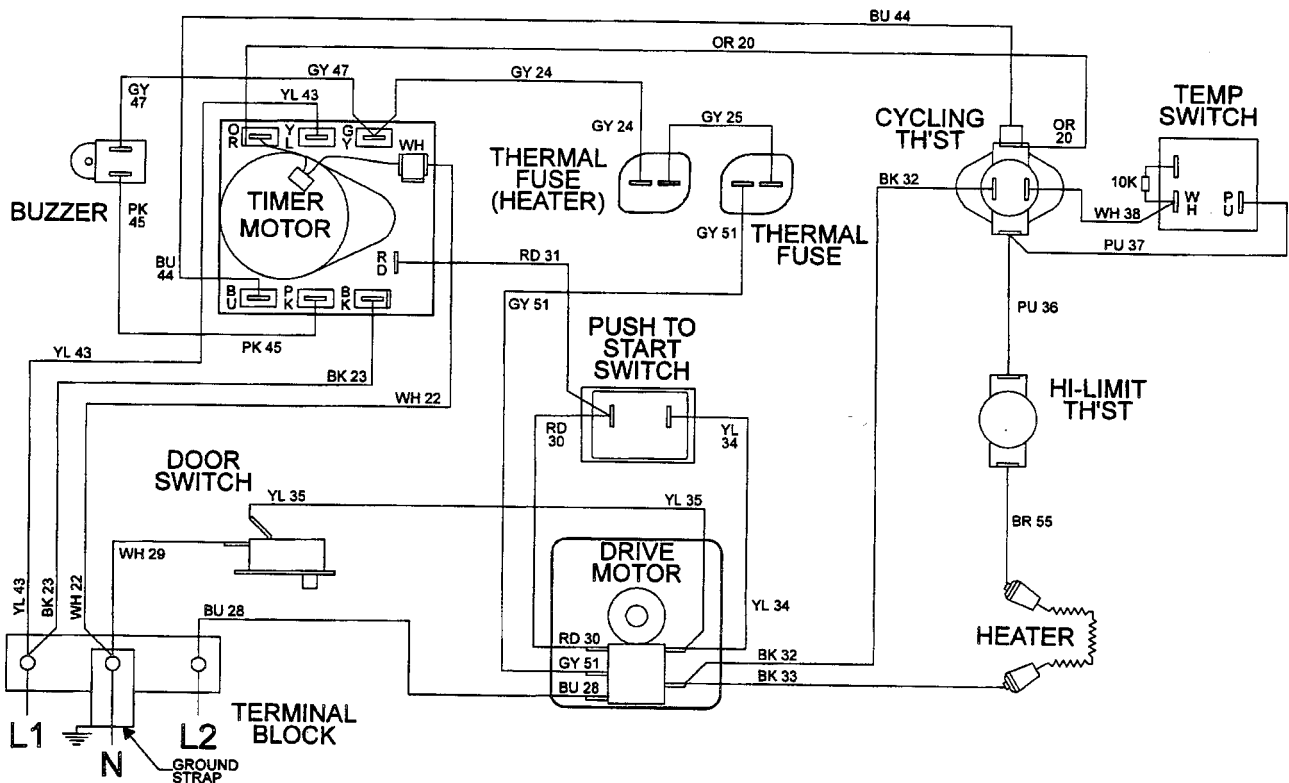
LDE9306

CIRCUIT	FUNCTION	OFF	REG. FABRICS	OFF	AIR FLUFF	OFF	TIME DRY	OFF	PERMANENT PRESS	OFF
①	YL-GY DRIVE MOTOR									
②	YL-OR TIMER MOTOR									
③	BK-BU HEATER									
④	PK-BK BUZZER/HEATER									
	PK-RD BUZZER/PULSER									

*"ON" 5 SECONDS EVERY 5 MINUTES



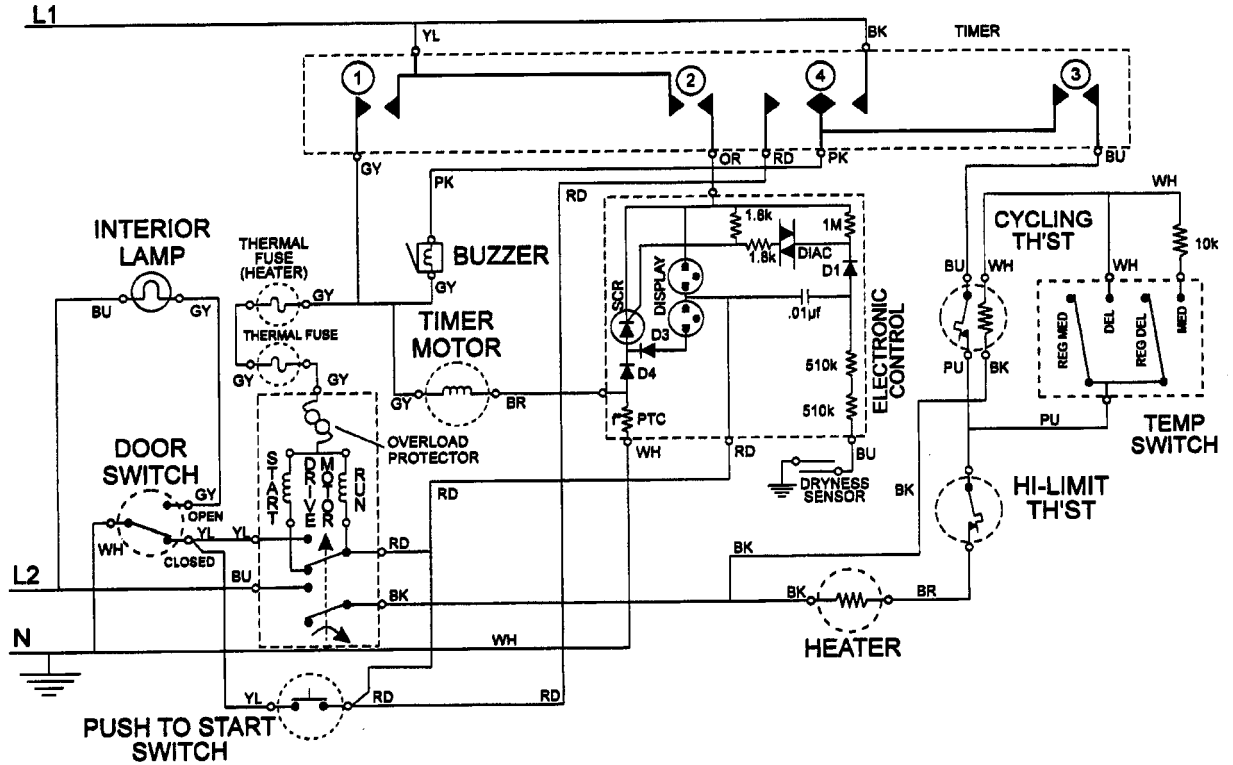
ELECTRICAL SCHEMATIC



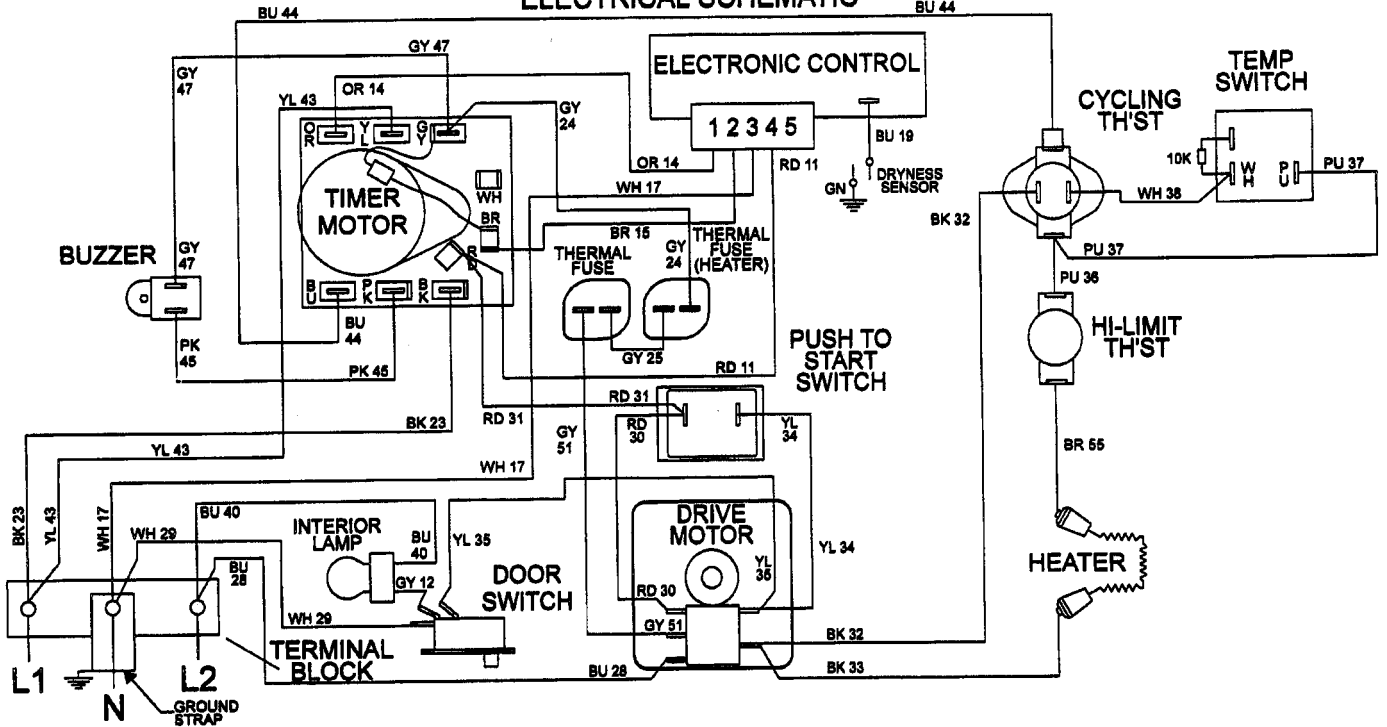
LDE9606

CIRCUIT	FUNCTION	REG. FABRICS		AIR FLUFF		TIME DRY		PERMANENT PRESS	
		OFF	ON	OFF	ON	OFF	ON	OFF	ON
①	YL-GY DRIVE MOTOR	█	█	█	█	█	█	█	█
②	YL-OR TIMER MOTOR	█	█	█	█	█	█	█	█
③	BK-BU HEATER	█	█	█	█	█	█	█	█
④	PK-BK BUZZER/HEATER	█	█	█	█	█	█	█	█
	PK-RD BUZZER/PULSER	█	█	█	█	█	█	█	█

* * ON * 5 SECONDS EVERY 5 MINUTES



ELECTRICAL SCHEMATIC

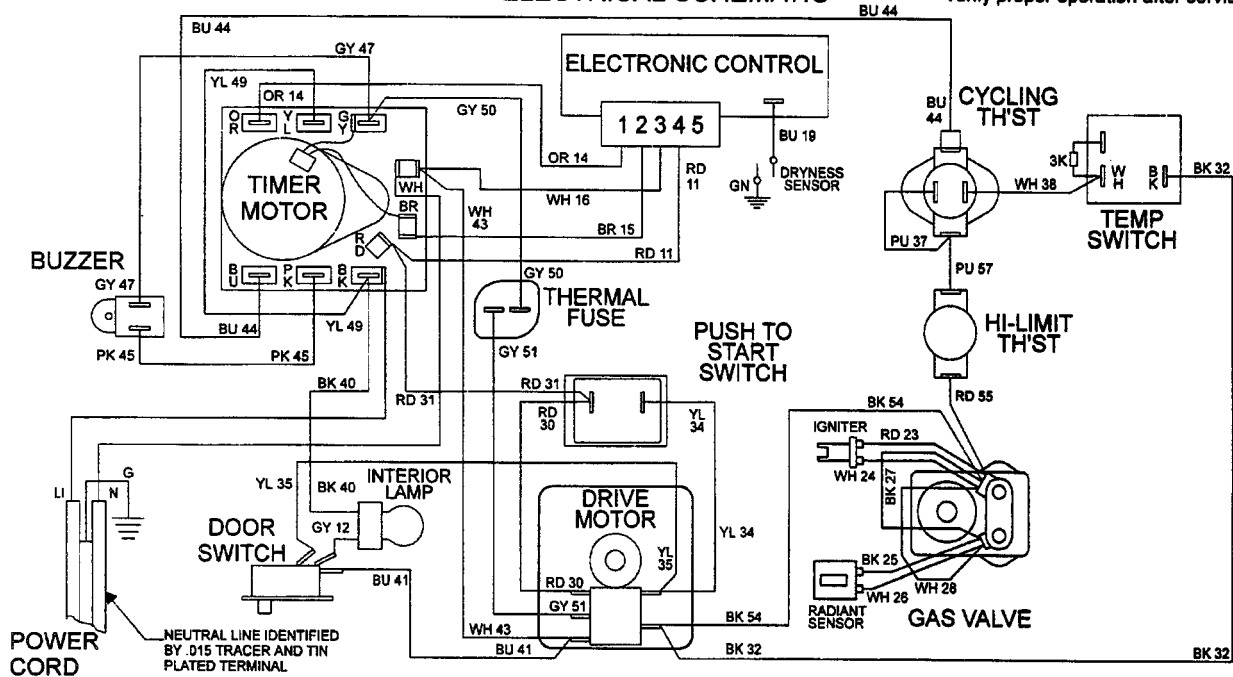
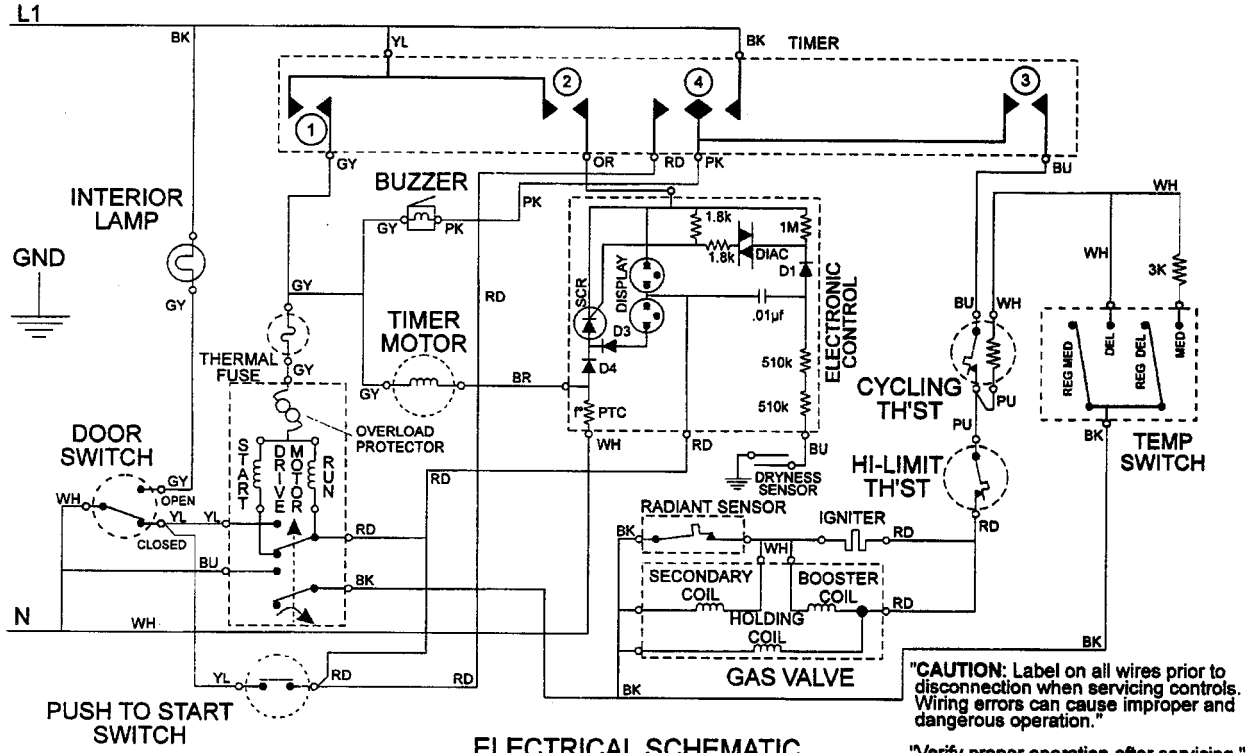


16001146-01

LDG9606

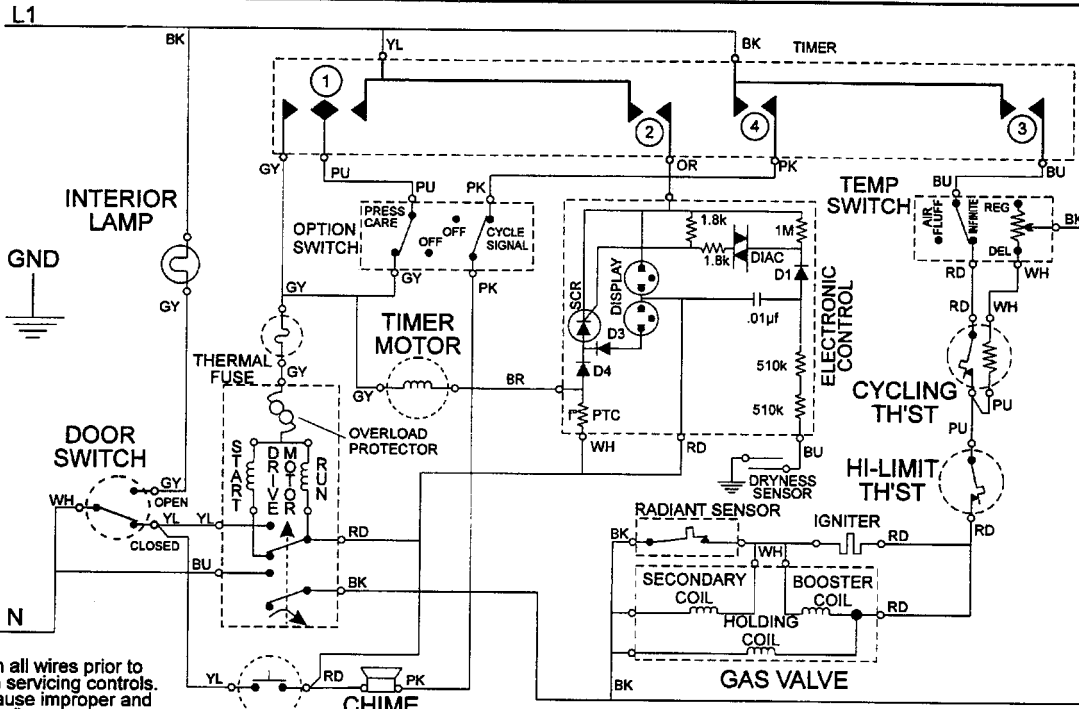
CIRCUIT	FUNCTION	OFF	REG. FABRICS	OFF	AIR FLUFF	OFF	TIME DRY	OFF	PERMANENT PRESS	OFF
1	YL-GY DRIVE MOTOR	█	█	█	█	█	█	█	█	█
2	YL-OR TIMER MOTOR	█	█	█	█	█	█	█	█	█
3	BK-BU HEATER	█	█	█	█	█	█	█	█	█
4	PK-BK BUZZER/HEATER	█	█	█	█	█	█	█	█	█
4	PK-RD BUZZER/PULSER*	█	█	█	█	█	█	█	█	█

*"ON" 5 SECONDS EVERY 5 MINUTES



LDG9806

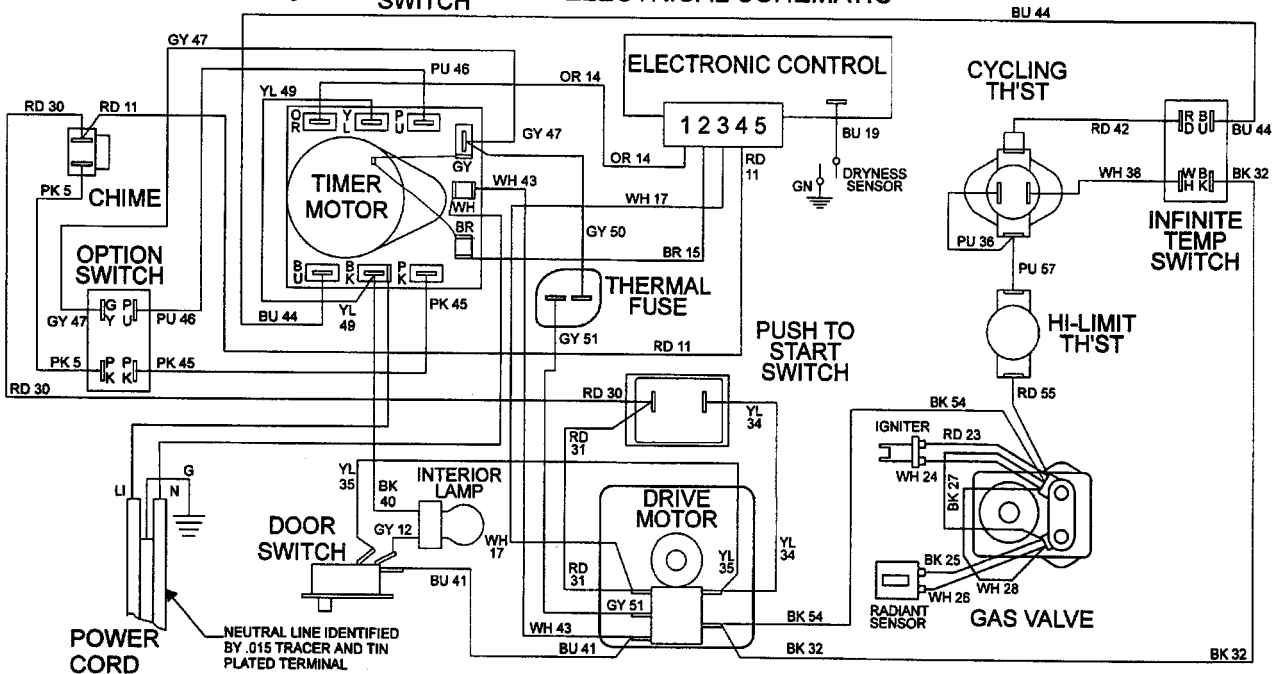
CIRCUIT	FUNCTION	REG. FABRICS		TIME DRY		PERMANENT PRESS	
		OFF	ON	OFF	ON	OFF	ON
①	YL-PU PRESS CARE YL-GY DRIVE MOTOR	█	█	█	█	█	█
②	YL-OR ELECTRONIC CONTROL	█	█	█	█	█	█
③	BK-BU HEATER	█	█	█	█	█	█
④	PK-BK CHIME	█	█	█	█	█	█



"CAUTION: Label on all wires prior to disconnection when servicing controls. Wiring errors can cause improper and dangerous operation."

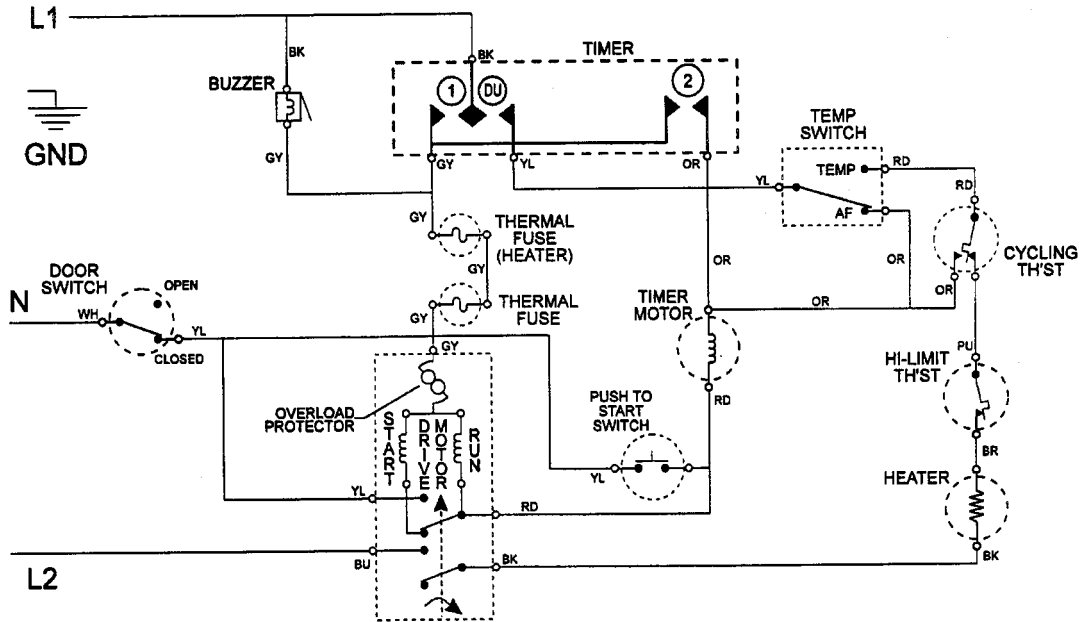
"Verify proper operation after servicing."

PUSH TO START SWITCH ELECTRICAL SCHEMATIC

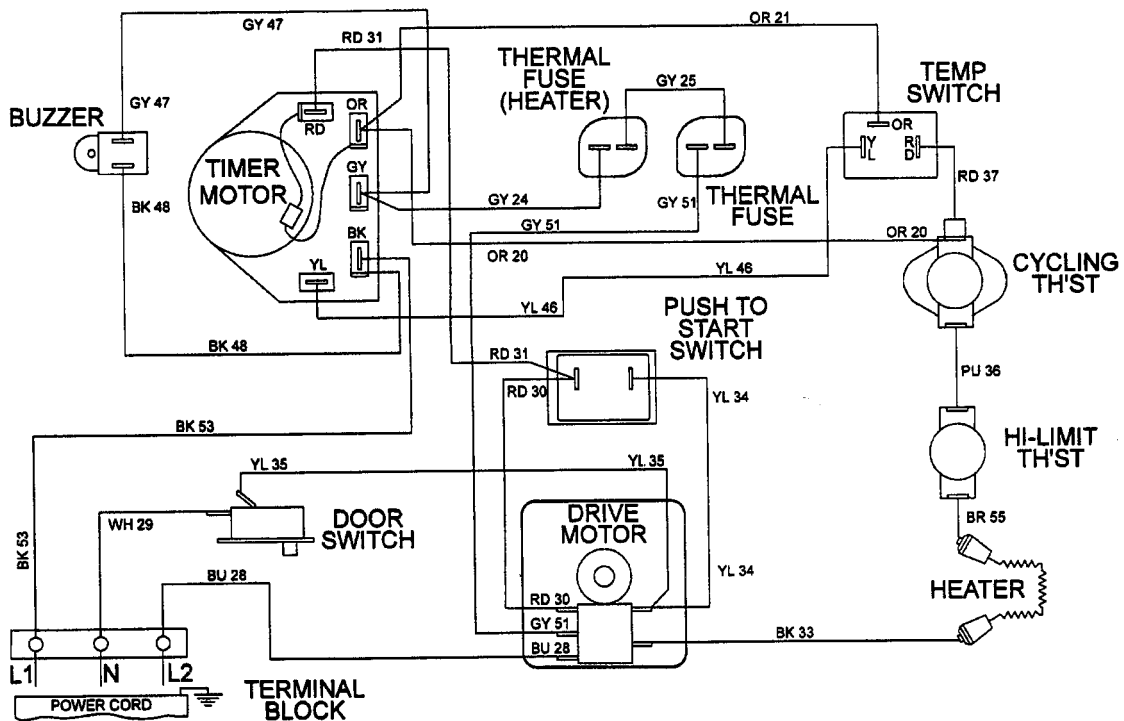


LDE9206-CANADA

CIRCUIT	FUNCTION	OFF	REG. FABRICS	OFF	TIME DRY	OFF	PERMANENT PRESS
①	BK-GY DRIVE MOTOR BK-YL HEATER						
②	BK-OR TIMER MOTOR						



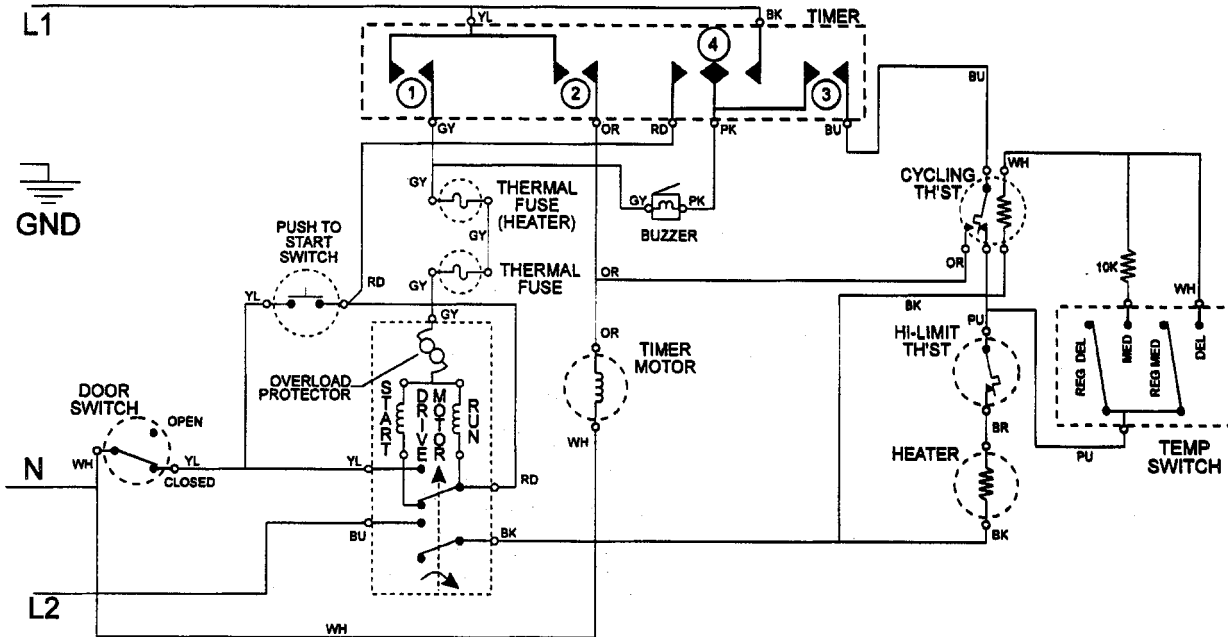
ELECTRICAL SCHEMATIC



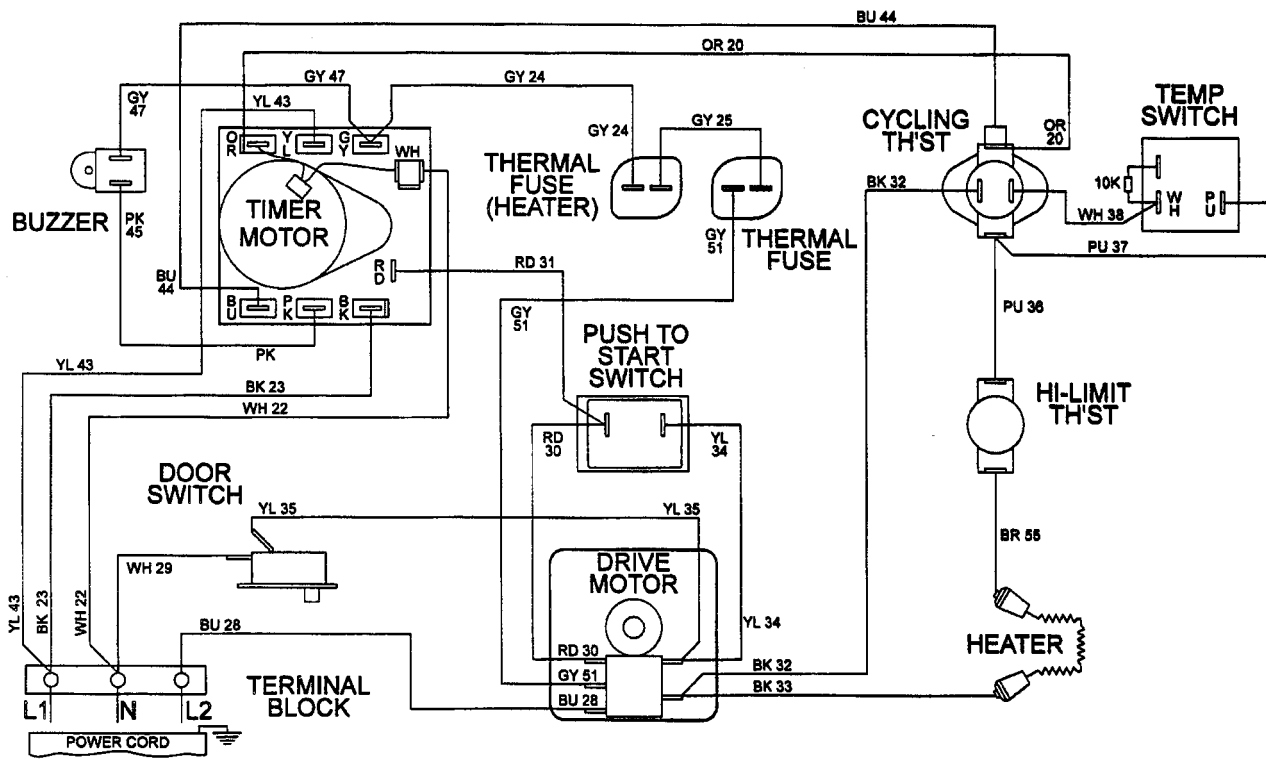
LDE9306-CANADA

CIRCUIT	FUNCTION	OFF	REG. FABRICS	OFF	AIR FLUFF	OFF	TIME DRY	OFF	PERMANENT PRESS	OFF
									PRESS CARE	
①	YL-GY DRIVE MOTOR									
②	YL-OR TIMER MOTOR									
③	BK-BU HEATER									
④	PK-BK BUZZER/HEATER									
④	PK-RD BUZZER/PULSER*									

*"ON" 5 SECONDS EVERY 5 MINUTES



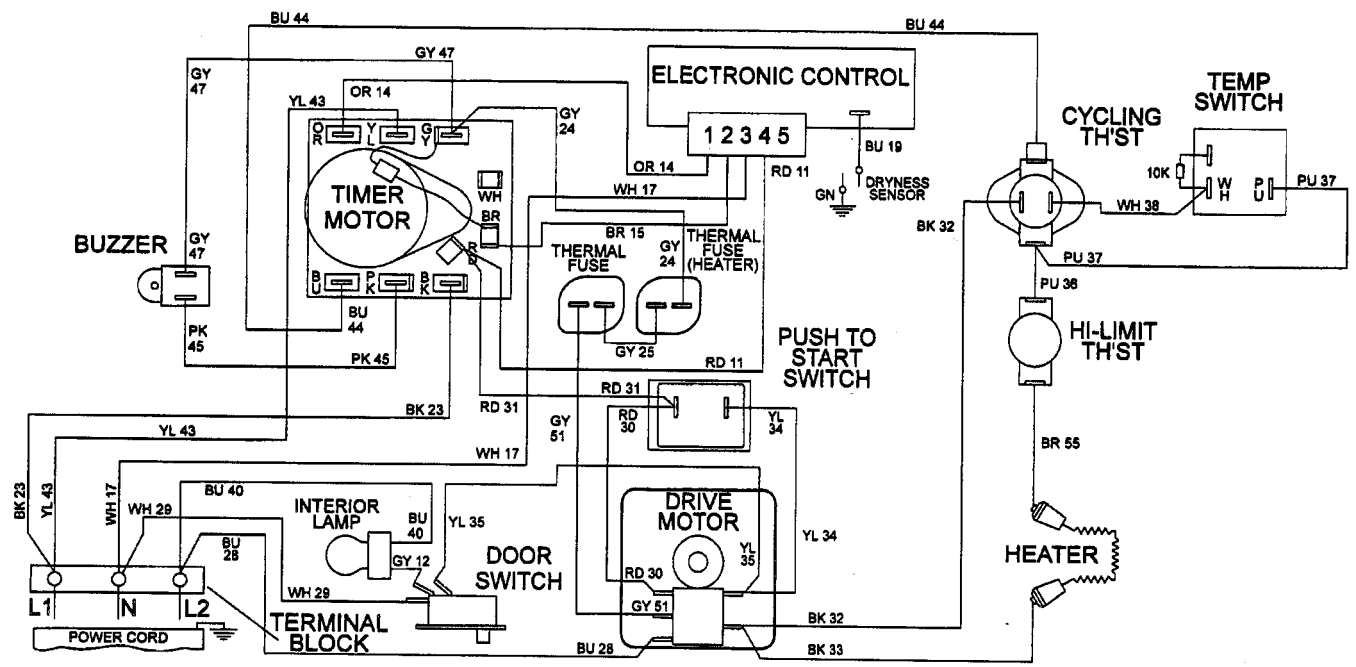
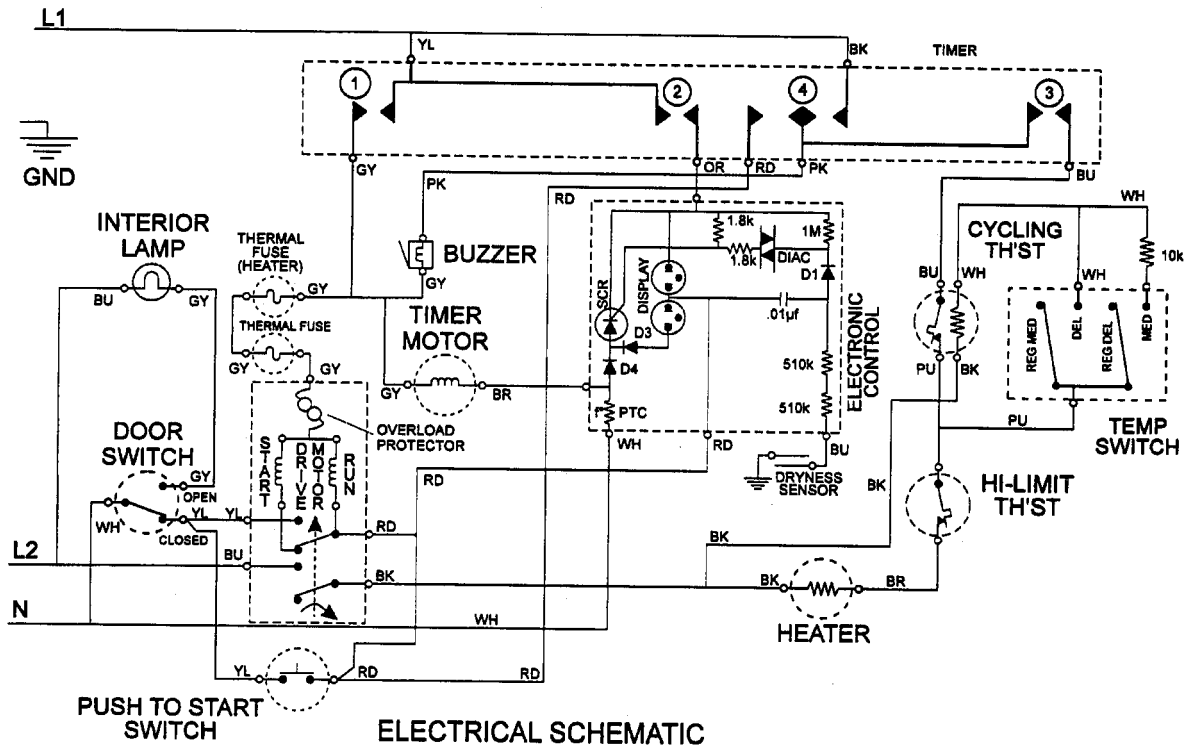
ELECTRICAL SCHEMATIC



LDE9606-CANADA

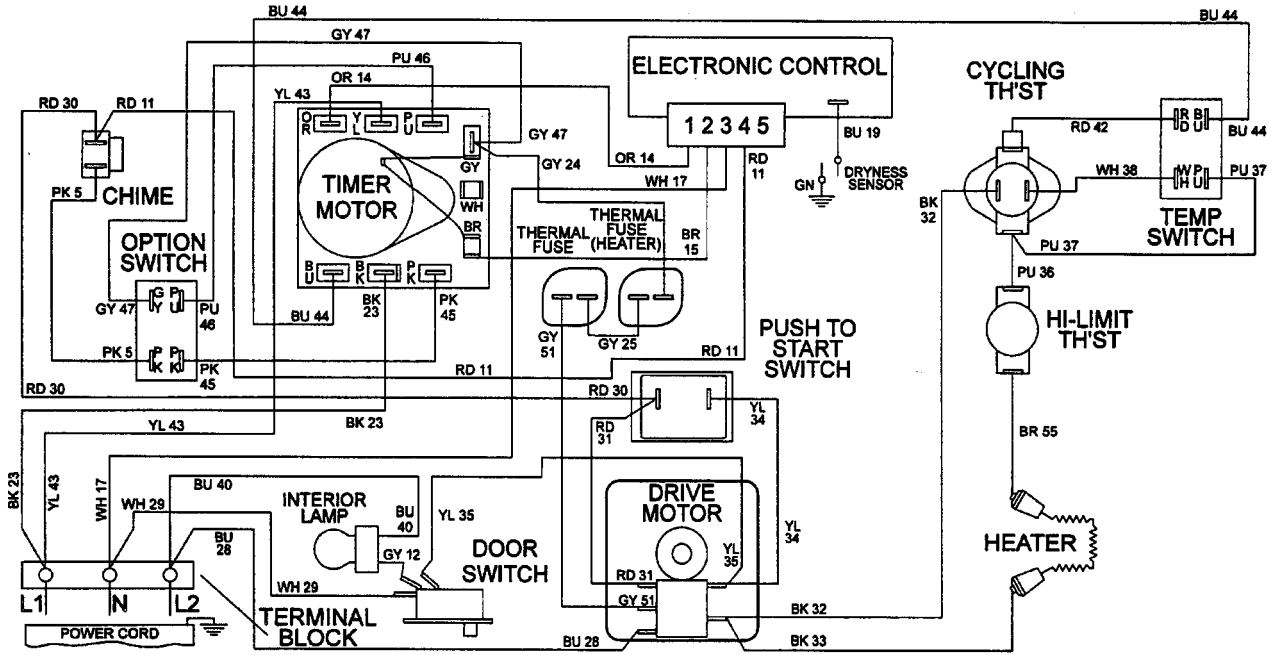
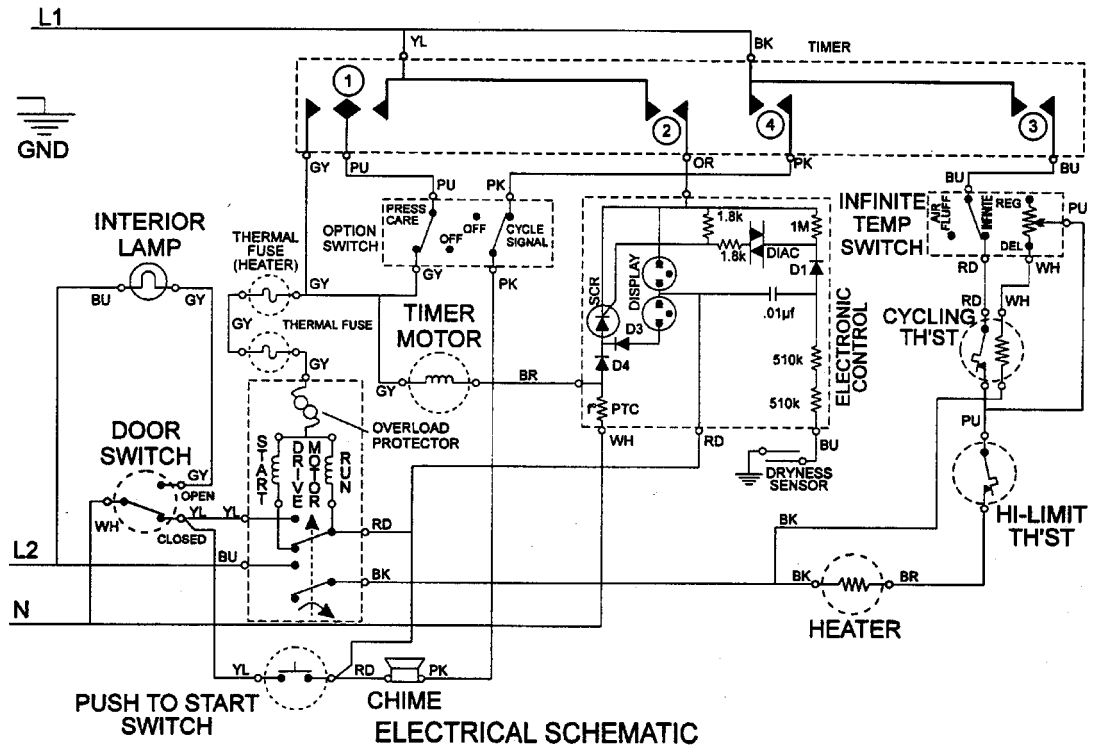
CIRCUIT	FUNCTION	REG. FABRICS		AIR FLUFF		TIME DRY		PERMANENT PRESS	
		OFF	ON	OFF	ON	OFF	ON	OFF	ON
①	YL-GY DRIVE MOTOR	█	█	█	█	█	█	█	█
②	YL-OR TIMER MOTOR	█	█	█	█	█	█	█	█
③	BK-BU HEATER	█	█	█	█	█	█	█	█
④	PK-BK BUZZER/HEATER	█	█	█	█	█	█	█	█
PK-RD	BUZZER/PULSER*	█	█	█	█	█	█	█	█

*"ON" 5 SECONDS EVERY 5 MINUTES



LDE9806-CANADA

CIRCUIT	FUNCTION	OFF	REG. FABRICS	OFF	TIME DRY	OFF	PERMANENT PRESS
①	YL-PU PRESS CARE YL-GY DRIVE MOTOR						
②	YL-OR ELECTRONIC CONTROL						
③	BK-BU HEATER						
④	PK-BK CHIME						



MAYTAG

Customer Service
240 Edwards St.
Cleveland, TN 37311

