



**TECHNICAL EDUCATION**

**CENTENNIAL™  
ELECTRIC & GAS  
DRYERS**



**MODELS: MED5900TW0 MGD5900TW0  
MED5800TW0 MGD5800TW0  
MED5700TW0 MGD5700TW0  
MED5600TW0 MGD5600TW0  
MED5500TW0 MGD5500TW0**

**JOB AID 8178629**

## FORWARD

This Maytag Job Aid, “Centennial™ Electric & Gas Dryers” (Part No.8178629), provides the In-Home Service Professional with information on the installation, operation, and service of the Centennial™ Electric & Gas Dryers. For specific information on the model being serviced, refer to the “Use and Care Guide,” or “Tech Sheet” provided with the dryer.

The Wiring Diagrams and Strip Circuits used in this Job Aid are typical and should be used for training purposes only. Always use the Wiring Diagram supplied with the product when servicing the dryer.

## GOALS AND OBJECTIVES

The goal of this Job Aid is to provide information that will enable the In-Home Service Professional to properly diagnose malfunctions and repair the Centennial™ Electric & Gas Dryers.

The objectives of this Job Aid are to:

- Understand and follow proper safety precautions.
- Successfully troubleshoot and diagnose malfunctions.
- Successfully perform necessary repairs.
- Successfully return the dryer to its proper operational status.

WHIRLPOOL CORPORATION assumes no responsibility for any repairs made on our products by anyone other than authorized In-Home Service Professionals.

# TABLE OF CONTENTS

	Page
<b>GENERAL</b> .....	1-1
Dryer Safety .....	1-1
Model & Serial Number Designations .....	1-2
Model & Serial Number Label & Tech Sheet Locations .....	1-3
Specifications .....	1-4
<b>INSTALLATION INFORMATION</b> .....	2-1
Installation Instructions .....	2-1
<b>PRODUCT OPERATION</b> .....	3-1
Dryer Use .....	3-1
Dryer Care .....	3-4
Troubleshooting .....	3-6
<b>COMPONENT ACCESS</b> .....	4-1
Component Locations .....	4-1
Removing The Control Panel Components .....	4-2
Removing The Door Switch And Cabinet Front .....	4-5
Removing The Drum And Front Panel Bearings .....	4-7
Removing The Belt, Drum, & Rear Rollers .....	4-8
Removing The Drive Motor .....	4-10
Removing The Thermal Fuse & Exhaust Thermistor .....	4-12
Removing The High-Limit Thermostat And Thermal Cutoff (TCO) (Gas Models Only) .....	4-13
Removing The Thermal Cutoff (TCO), Heater, And Inlet Thermistor/ High-Limit Thermostat (Electric Models Only) .....	4-14
Removing The Flame Sensor And Gas Burner Assembly (Gas Models Only) .....	4-16
Removing The Moisture Sensor And Metal Oxide Varistors (MOVS) .....	4-18
Removing The Drum Light Assembly .....	4-20
<b>COMPONENT TESTING</b> .....	5-1
Door Switch .....	5-1
Thermal Fuse & Exhaust Thermistor .....	5-2
High-Limit Thermostat & Thermal Cutoff (TCO) (Gas Models Only) .....	5-2
Flame Sensor .....	5-3
Gas Burner Coils .....	5-3
Burner Ignitor .....	5-4
Electric Heater (Dual Element) .....	5-4
Thermal Cutoff (TCO) And Inlet Thermistor/High-Limit Thermostat (Electric Models Only) .....	5-5
Drive Motor .....	5-6

	<b>Page</b>
<b>DIAGNOSTICS &amp; TROUBLESHOOTING</b> .....	6-1
Diagnostics .....	6-1
Diagnostic Guide .....	6-1
Less Dry Test .....	6-1
Diagnostic Test .....	6-1
Component Tests .....	6-3
Troubleshooting .....	6-9
Troubleshooting Guide .....	6-9
Troubleshooting .....	6-10
<b>WIRING DIAGRAMS &amp; STRIP CIRCUITS</b> .....	7-1
Electric Dryers .....	7-1
Wiring Diagram .....	7-1
Strip Circuits .....	7-3
Gas Dryers .....	7-4
Wiring Diagram .....	7-4
Strip Circuits .....	7-6

# GENERAL DRYER SAFETY

## Your safety and the safety of others are very important.

We have provided many important safety messages in this manual and on your appliance. Always read and obey all safety messages.



This is the safety alert symbol.

This symbol alerts you to potential hazards that can kill or hurt you and others.

All safety messages will follow the safety alert symbol and either the word “DANGER” or “WARNING.” These words mean:

**! DANGER**

You can be killed or seriously injured if you don't immediately follow instructions.

**! WARNING**

You can be killed or seriously injured if you don't follow instructions.

All safety messages will tell you what the potential hazard is, tell you how to reduce the chance of injury, and tell you what can happen if the instructions are not followed.

# MODEL & SERIAL NUMBER DESIGNATIONS

## MODEL NUMBER

<b>MODEL NUMBER</b>	M	E	D	5	9	00	T	W	0
<b>BRAND</b> M = Maytag									
<b>ACCESS / FUEL</b> T = Top Load      G = Gas F = Front Load    H = Horizontal W = Work Space    V = Vertical E = Electric									
<b>PRODUCT</b> W = Washer      P = Pedestal D = Dryer        B = Combo T = Thin Twin    C = Compact									
<b>SERIES</b> 1 = Innovation    6 = Oasis 2 = Commercial   7 = Merloni 3 = Compact      8 = Horizon 4 = Stack         9 = Duet/Combo 5 = LEAP									
<b>PRICE POINT LEVELS (1 - 9)</b>									
<b>TRADE PARTNER</b> 00 = Brand      30 = NATM 10 = SBC        40 = Lowe's 20 = Best Buy									
<b>YEAR OF INTRODUCTION</b> T = 2007									
<b>COLOR CODE</b> W = Silver Metallic - on - White Q = White - on - White									
<b>ENGINEERING CHANGE</b> 0 = Basic Original Release 1 = First Revision									

## SERIAL NUMBER

<b>SERIAL NUMBER</b>	M	U	41	10200
<b>MANUFACTURING SITE</b> M = Marion, OH				
<b>YEAR OF PRODUCTION</b> U = 2007				
<b>WEEK OF PRODUCTION</b> 41 = 41st Week				
<b>PRODUCT SEQUENCE NUMBER</b>				

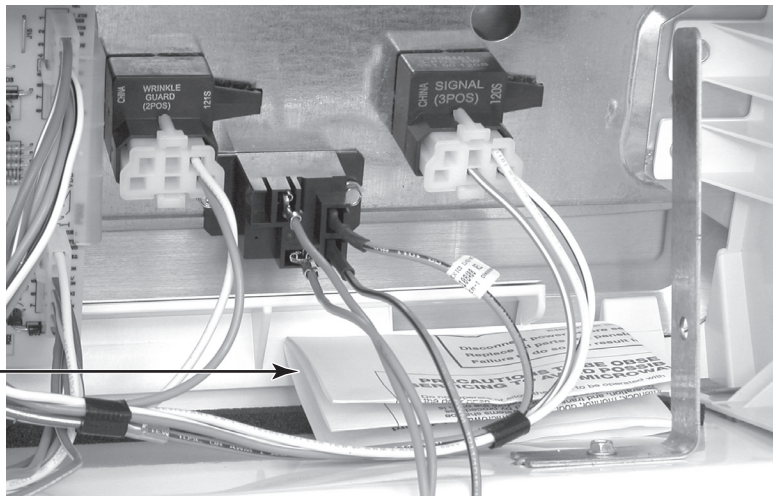
# MODEL & SERIAL NUMBER LABEL & TECH SHEET LOCATIONS

The Model/Serial Number Label and Tech Sheet locations are shown below.

Model/Serial Number  
Label Location



Tech Sheet Location  
(Access Inside Console)



# SPECIFICATIONS

Model	MED5900T (E)	MED5800T (E)	MED5700T (E)	MED5600T (E)	MED5500T (E)
	MGD5900T (G)	MGD5800T (E)	MGD5700T (G)	MGD5600T (G)	MGD5500T (G)
Capacity (cu. ft.)	7.0	7.0	7.0	7.0	7.0
GentleBreeze™ Drying System	•	•	•	•	•
Wrinkle Prevent	120 Min. Option	90 Min. Option	90 Min. Option	40 Minute	40 Minute
Smooth Balance™ Suspension	•	•	•	•	•
DuraCushion™ Dryer Drum	•	•	•	•	•
Interior Light	Premium	Premium	•	•	•
Spill Guard	•	•	•	•	•
Reversible Swing Door	•	•	•	•	•
Commercial-Grade Steel-Reinforced Baseframe	•	•	•	•	•
360° Front & Rear Heat Seal	•	•	•	•	•
High Torque Motor (1/3-HP)	•	•	•	•	•
Front Serviceable	•	•	•	•	•
64-Foot Vent Length	•	•	•	•	•
Zinc-Coated Leveling Legs	•	•	•	•	•



# INSTALLATION INFORMATION

## INSTALLATION INSTRUCTIONS

### TOOLS AND PARTS

Gather the required tools and parts before starting installation. Read and follow the instructions provided with any tools listed here.

#### Electric Models

- Flat-blade screwdriver
- #2 Phillips screwdriver
- Adjustable wrench that opens to 1" (2.54 cm) or hex-head socket wrench (for adjusting dryer feet)
- Wire stripper (for U.S. only direct wire installations)
- Tin snips (new vent installations)
- Level
- Vent clamps
- Caulking gun and compound (for installing new exhaust vent)
- Tape measure

#### Gas Models

- 8" or 10" pipe wrench
- 8" or 10" adjustable wrench (for gas connections)
- Flat-blade screwdriver
- Adjustable wrench that opens to 1" (2.54 cm) or hex-head socket wrench (for adjusting dryer feet)
- 1/4" nut driver or socket wrench
- Level
- Vent clamps
- Knife
- Pipe-joint compound resistant to LP gas
- Caulking gun and compound (for installing new exhaust vent)
- Pliers
- Tape measure

#### Parts supplied:

Remove parts package from dryer drum. Check that all parts were included.



*4 leveling legs*

#### Parts needed:

Check local codes and with gas supplier. Check existing gas supply, electrical supply and venting. Read "Electrical Requirements," "Gas Supply Requirements" and "Venting Requirements" before purchasing parts.

Mobile home installations require special parts (listed following) that may be ordered by calling the dealer from whom you purchased your dryer. For further information, please refer to the "Assistance or Service" section of the "Use & Care Guide."

- Mobile Home Installation Kit. Ask for Part Number 346764.
- Metal exhaust system hardware.

## LOCATION REQUIREMENTS

### **! WARNING**



#### **Explosion Hazard**

**Keep flammable materials and vapors, such as gasoline, away from dryer.**

**Place dryer at least 18 inches (46 cm) above the floor for a garage installation.**

**Failure to do so can result in death, explosion, or fire.**

#### **You will need**

- A location that allows for proper exhaust installation. A gas dryer must be vented to the outdoors. See “Venting Requirements,” page 2-17.
- A separate 30-amp circuit (electric only).
- If you are using a power supply cord, a grounded electrical outlet located within 2 ft (61 cm) of either side of the dryer. See “Electrical Requirements,” pages 2-4, 2-6, or 2-14.
- A sturdy floor to support the total weight (dryer and load) of 200 lbs. (90.7 kg). The combined weight of a companion appliance should also be considered.
- A level floor with a maximum slope of 1” (2.5 cm) under entire dryer.

Do not operate your dryer at temperatures below 45°F (7°C). At lower temperatures, the dryer might not shut off at the end of an automatic cycle. Drying times can be extended.

The dryer must not be installed or stored in an area where it will be exposed to water and/or weather.

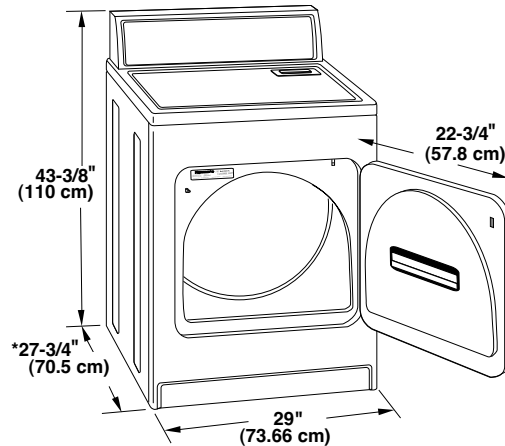
Check code requirements. Some codes limit, or do not permit, installation of the dryer in garages, closets, mobile homes or sleeping quarters. Contact your local building inspector.

**NOTE:** No other fuel-burning appliance can be installed in the same closet as a dryer.

#### **INSTALLATION CLEARANCES**

The location must be large enough to allow the dryer door to open fully.

#### **Dryer Dimensions**

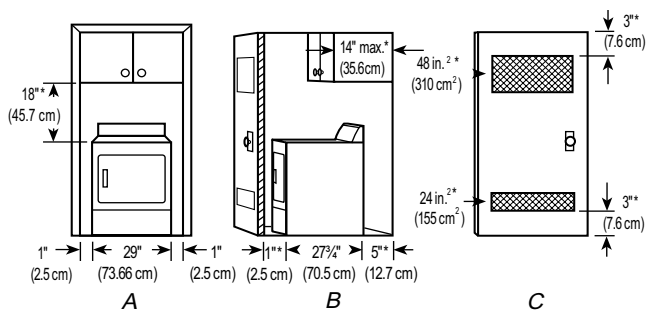


\*Most installations require a minimum 5” (12.7 cm) clearance behind the dryer for the exhaust vent with elbow. See “Venting Requirements,” page 2-17.

#### **Installation spacing for recessed area or closet installation**

The following spacing dimensions are recommended for this dryer. This dryer has been tested for spacing of 0” (0 cm) clearance on the sides and rear. Recommended spacing should be considered for the following reasons:

- Additional spacing should be considered for ease of installation and servicing.
- Additional clearances might be required for wall, door and floor moldings.
- Additional spacing should be considered on all sides of the dryer to reduce noise transfer.
- For closet installation, with a door, minimum ventilation openings in the top and bottom of the door are required. Louvered doors with equivalent ventilation openings are acceptable.
- Companion appliance spacing should also be considered.



A. Recessed area  
 B. Side view - closet or confined area  
 C. Closet door with vents

\*Required spacing

## Mobile Home - Additional Installation Requirements

This dryer is suitable for mobile home installations. The installation must conform to the Manufactured Home Construction and Safety Standard, Title 24 CFR, Part 3280 (formerly the Federal Standard for Mobile Home Construction and Safety, Title 24, HUD Part 280), or the Canadian Manufactured Home Standard CAN/CSA-Z240 MH.

### Mobile home installations require:

- Metal exhaust system hardware, which is available for purchase from your dealer.
- Mobile home Installation Kit Part Number 346764.
- Special provisions must be made in mobile homes to introduce outside air into the dryer. The opening (such as a nearby window) should be at least twice as large as the dryer exhaust opening.

## **ELECTRICAL REQUIREMENTS - U.S.A. ONLY**

### **Electric Models Only**

#### **It is your responsibility**

- To contact a qualified electrical installer.
- To be sure that the electrical connection is adequate and in conformance with the National Electrical Code, ANSI/NFPA 70-latest edition and all local codes and ordinances.

The National Electric Code requires a 4-wire supply connection for homes built after 1996, dryer circuits involved in remodeling after 1996, and all mobile home installations.

A copy of the above code standards can be obtained from: National Fire Protection Association, One Batterymarch Park, Quincy, MA 02269.

- To supply the required 3 or 4 wire, single phase, 120/240 volt, 60 Hz., AC only electrical supply (or 3 or 4 wire, 120/208 volt electrical supply, if specified on the serial/rating plate) on a separate 30-amp circuit, fused on both sides of the line. A time-delay fuse or circuit breaker is recommended. Connect to an individual branch circuit. Do not have a fuse in the neutral or grounding circuit.
- Do not use an extension cord.
- If codes permit and a separate ground wire is used, it is recommended that a qualified electrician determine that the ground path is adequate.

#### **Electrical Connection**

To properly install your dryer, you must determine the type of electrical connection you will be using and follow the instructions provided for it here.

- If local codes do not permit the connection of a neutral ground wire to the neutral wire, see "Optional 3-wire connection," page 2-13.

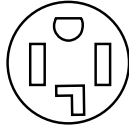
- This dryer is manufactured ready to install with a 3-wire electrical supply connection. The neutral ground conductor is permanently connected to the neutral conductor (white wire) within the dryer. If the dryer is installed with a 4-wire electrical supply connection, the neutral ground conductor must be removed from the external ground connector (green screw), and secured under the neutral terminal (center or white wire) of the terminal block. When the neutral ground conductor is secured under the neutral terminal (center or white wire) of the terminal block, the dryer cabinet is isolated from the neutral conductor.
- A 4-wire power supply connection must be used when the appliance is installed in a location where grounding through the neutral conductor is prohibited. Grounding through the neutral is prohibited for (1) new branch-circuit installations, (2) mobile homes, (3) recreational vehicles, and (4) areas where local codes prohibit grounding through the neutral conductors.

#### **If using a power supply cord:**

Use a UL listed power supply cord kit marked for use with clothes dryers. The kit should contain:

- A UL listed 30-amp power supply cord, rated 120/240 volt minimum. The cord should be type SRD or SRDT and be at least 4 ft (1.22 m) long. The wires that connect to the dryer must end in ring terminals or spade terminals with upturned ends.
- A UL listed strain relief.

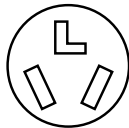
**If your outlet looks like this:**



*4-wire receptacle (14-30R)*

Then choose a 4-wire power supply cord with ring or spade terminals and UL listed strain relief. The 4-wire power supply cord, at least 4 ft (1.22 m) long, must have four 10-gauge copper wires and match a 4-wire receptacle of NEMA Type 14-30R. The ground wire (ground conductor) may be either green or bare. The neutral conductor must be identified by a white cover.

**If your outlet looks like this:**



*3-wire receptacle (10-30R)*

Then choose a 3-wire power supply cord with ring or spade terminals and UL listed strain relief. The 3-wire power supply cord, at least 4 ft (1.22 m) long, must have three 10-gauge copper wires and match a 3-wire receptacle of NEMA Type 10-30R.

**If connecting by direct wire:**

Power supply cable must match power supply (4-wire or 3-wire) and be:

- Flexible armored cable or nonmetallic sheathed copper cable (with ground wire), protected with flexible metallic conduit. All current-carrying wires must be insulated.
- 10-gauge solid copper wire (do not use aluminum).
- At least 5 ft (1.52 m) long.

**GROUNDING INSTRUCTIONS**


- For a grounded, cord-connected dryer:  
This dryer must be grounded. In the event of malfunction or breakdown, grounding will reduce the risk of electric shock by providing a path of least resistance for electric current. This dryer uses a cord having an equipment-grounding conductor and a grounding plug. The plug must be plugged into an appropriate outlet that is properly installed and grounded in accordance with all local codes and ordinances.
- For a permanently connected dryer:  
This dryer must be connected to a grounded metal, permanent wiring system, or an equipment-grounding conductor must be run with the circuit conductors and connected to the equipment-grounding terminal or lead on the dryer.

**WARNING:** Improper connection of the equipment-grounding conductor can result in a risk of electric shock. Check with a qualified electrician or service representative or personnel if you are in doubt as to whether the dryer is properly grounded. Do not modify the plug on the power supply cord: if it will not fit the outlet, have a proper outlet installed by a qualified electrician.

## ELECTRICAL REQUIREMENTS - CANADA ONLY

### Electric Models Only

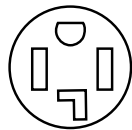
**⚠ WARNING**



**Electrical Shock Hazard**  
**Plug into a grounded 4 prong outlet.**  
**Failure to do so can result in death or electrical shock.**

#### It is your responsibility

- To contact a qualified electrical installer.
- To be sure that the electrical connection is adequate and in conformance with the Canadian Electrical Code, C22.1-latest edition and all local codes. A copy of the above codes standard may be obtained from: Canadian Standards Association, 178 Rexdale Blvd., Toronto, ON M9W 1R3 CANADA.
- To supply the required 4 wire, single phase, 120/240 volt, 60 Hz., AC only electrical supply on a separate 30-amp circuit, fused on both sides of the line. A time-delay fuse or circuit breaker is recommended. Connect to an individual branch circuit.
- This dryer is equipped with a CSA International Certified Power Cord intended to be plugged into a standard 14-30R wall receptacle. The cord is 5 ft (1.52 m) in length. Be sure wall receptacle is within reach of dryer's final location.



4-wire receptacle (14-30R)

- Do not use an extension cord.

If you are using a replacement power supply cord, it is recommended that you use Power Supply Cord Replacement Part Number 3394208. For further information, please reference the service numbers located in the "Assistance or Service" section of the "Use & Care Guide."

#### GROUNDING INSTRUCTIONS

- For a grounded, cord-connected dryer:  
This dryer must be grounded. In the event of malfunction or breakdown, grounding will reduce the risk of electric shock by providing a path of least resistance for electric current. This dryer uses a cord having an equipment-grounding conductor and a grounding plug. The plug must be plugged into an appropriate outlet that is properly installed and grounded in accordance with all local codes and ordinances.

**WARNING:** Improper connection of the equipment-grounding conductor can result in a risk of electric shock. Check with a qualified electrician or service representative or personnel if you are in doubt as to whether the dryer is properly grounded. Do not modify the plug provided with the dryer; if it will not fit the outlet, have a proper outlet installed by a qualified electrician.

**ELECTRICAL CONNECTION -  
U.S.A. ONLY**

**Electric Models Only  
POWER SUPPLY CORD**

**! WARNING**



**Fire Hazard**

Use a new UL listed 30 amp power supply cord.

Use a UL listed strain relief.

Disconnect power before making electrical connections.

Connect neutral wire (white or center wire) to center terminal (silver).

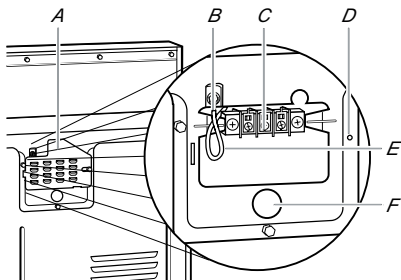
Ground wire (green or bare wire) must be connected to green ground connector.

Connect remaining 2 supply wires to remaining 2 terminals (gold).

Securely tighten all electrical connections.

Failure to do so can result in death, fire, or electrical shock.

1. Disconnect power.
2. Remove the hold-down screw and terminal block cover.



A. Terminal block cover  
B. External ground conductor screw  
C. Center, silver-colored terminal block screw  
D. Hold-down screw location  
E. Neutral ground wire  
F. Hole below terminal block opening

**DIRECT WIRE**

**! WARNING**



**Fire Hazard**

Use 10 gauge solid copper wire.

Use a UL listed strain relief.

Disconnect power before making electrical connections.

Connect neutral wire (white or center wire) to center terminal (silver).

Ground wire (green or bare wire) must be connected to green ground connector.

Connect remaining 2 supply wires to remaining 2 terminals (gold).

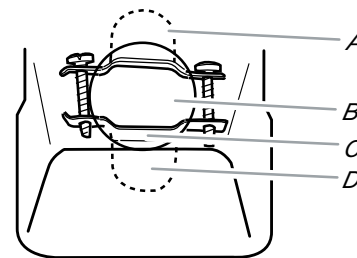
Securely tighten all electrical connections.

Failure to do so can result in death, fire, or electrical shock.

3. Install strain relief.

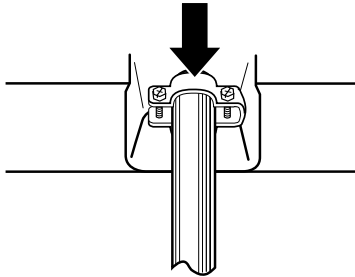
**Style 1: Power supply cord strain relief**

- Remove the screws from a 3/4" (1.9 cm) UL listed strain relief (UL marking on strain relief). Put the tabs of the two clamp sections into the hole below the terminal block opening so that one tab is pointing up and the other is pointing down, and hold in place. Tighten strain relief screws just enough to hold the two clamp sections together.



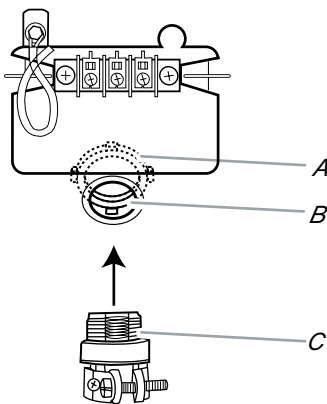
A. Strain relief tab pointing up  
B. Hole below terminal block opening  
C. Clamp section  
D. Strain relief tab pointing down

- Put power supply cord through the strain relief. Be sure that the wire insulation on the power supply cord is inside the strain relief. The strain relief should have a tight fit with the dryer cabinet and be in a horizontal position. Do not further tighten strain relief screws at this point.



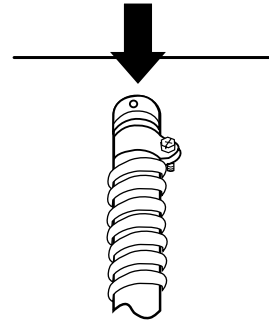
### Style 2: Direct wire strain relief

- Unscrew the removable conduit connector and any screws from a 3/4" (1.9 cm) UL listed strain relief (UL marking on strain relief). Put the threaded section of the strain relief through the hole below the terminal block opening. Reaching inside the terminal block opening, screw the removable conduit connector onto the strain relief threads.



A. Removable conduit connector  
 B. Hole below terminal block opening  
 C. Strain relief threads

- Put direct wire cable through the strain relief. The strain relief should have a tight fit with the dryer cabinet and be in a horizontal position. Tighten strain relief screw against the direct wire cable.


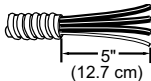

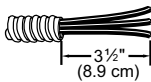


- Now complete installation following instructions for your type of electrical connection:

**4-wire** (recommended)

**3-wire** (if 4-wire is not available)

### Electrical Connection Options

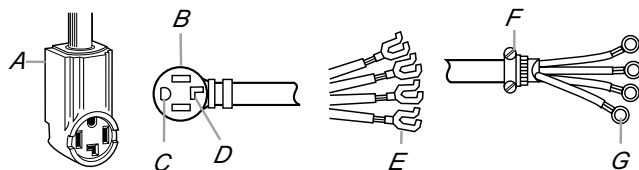
If your home has:	And you will be connecting to:	Go to Section:
4-wire receptacle (NEMA type 14-30R) 	A UL listed, 120/240-volt minimum, 30-amp, dryer power supply cord*	4-wire connection: Power Supply Cord
4-wire direct 	A fused disconnect or circuit breaker box*	4-wire connection: Direct Wire
3-wire receptacle (NEMA type 10-30R) 	A UL listed, 120/240-volt minimum, 30-amp, dryer power supply cord*	3-wire connection: Power Supply Cord
3-wire direct 	A fused disconnect or circuit breaker box*	3-wire connection: Direct Wire

\* If local codes do not permit the connection of a cabinet-ground conductor to the neutral wire, go to "Optional 3-wire connection" section.



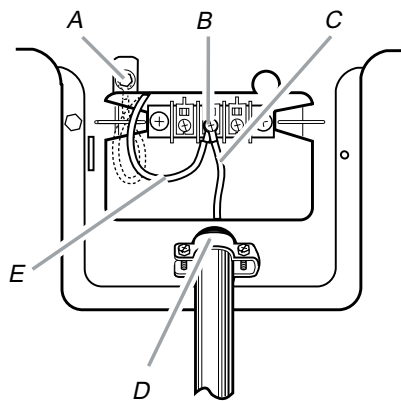
## 4-wire connection: Power Supply Cord

**IMPORTANT:** A 4-wire connection is required for mobile homes and where local codes do not permit the use of 3-wire connections.



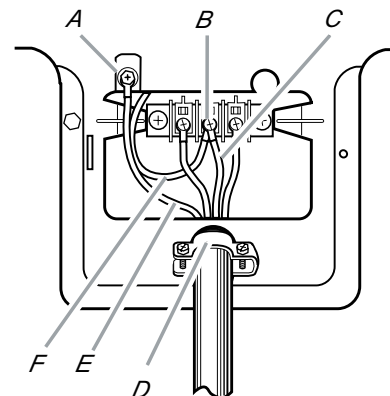
- A. 4-wire receptacle (NEMA type 14-30R)
- B. 4-prong plug
- C. Ground prong
- D. Neutral prong
- E. Spade terminals with upturned ends
- F. 3/4" (1.9 cm) UL listed strain relief
- G. Ring terminals

1. Remove center silver-colored terminal block screw.
2. Remove neutral ground wire from external ground conductor screw. Connect neutral ground wire and the neutral wire (white or center wire) of power supply cord under center, silver-colored terminal block screw. Tighten screw.



- A. External ground conductor screw - Dotted line shows position of NEUTRAL ground wire before being moved to center silver-colored terminal block screw.
- B. Center silver-colored terminal block screw
- C. Neutral wire (white or center wire)
- D. 3/4" (1.9 cm) UL listed strain relief
- E Neutral ground wire

3. Connect ground wire (green or bare) of power supply cord to external ground conductor screw. Tighten screw.



- A. External ground conductor screw
- B. Center silver-colored terminal block screw
- C. Neutral wire (white or center wire)
- D. 3/4" (1.9 cm) UL listed strain relief
- E Ground wire (green or bare) of power supply cord
- F. Neutral ground wire

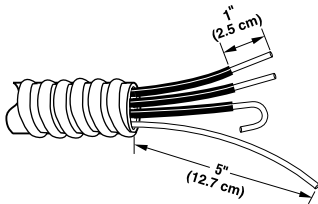
4. Connect the other wires to outer terminal block screws. Tighten screws.
5. Tighten strain relief screws.
6. Insert tab of terminal block cover into slot of dryer rear panel. Secure cover with hold-down screw.
7. You have completed your electrical connection. Now go to "Venting Requirements," page 2-17.

#### 4-wire connection: Direct Wire

**IMPORTANT:** A 4-wire connection is required for mobile homes and where local codes do not permit the use of 3-wire connections.

Direct wire cable must have 5 ft (1.52 m) of extra length so dryer can be moved if needed.

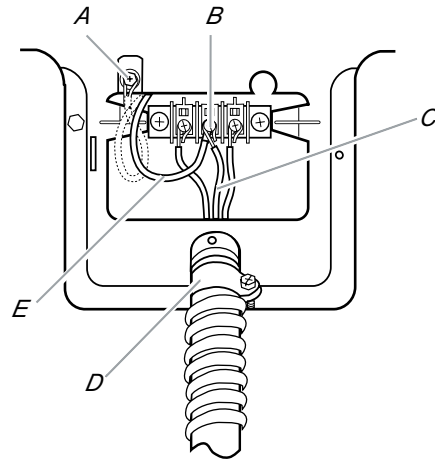
Strip 5" (12.7 cm) of outer covering from end of cable, leaving bare ground wire at 5" (12.7 cm). Cut 1-1/2" (3.8 cm) from 3 remaining wires. Strip insulation back 1" (2.5 cm). Shape ends of wires into a hook shape.



When connecting to the terminal block, place the hooked end of the wire under the screw of the terminal block (hook facing right), squeeze hooked end together and tighten screw, as shown.

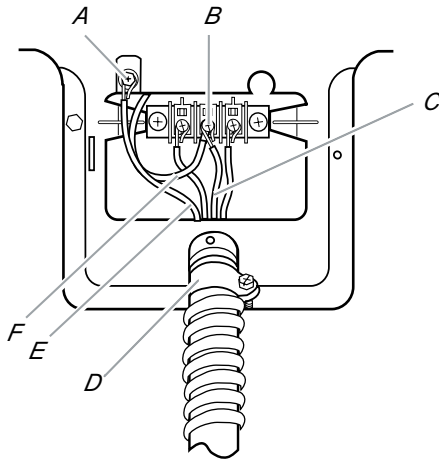


1. Remove center silver-colored terminal block screw.
2. Remove neutral ground wire from external ground conductor screw. Connect neutral ground wire and place the hooked end (hook facing right) of the neutral wire (white or center wire) of direct wire cable under the center screw of the terminal block. Squeeze hooked ends together. Tighten screw.



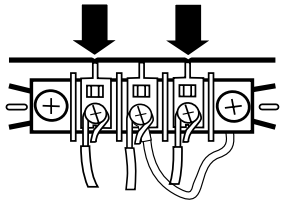
- A. External ground conductor screw - Dotted line shows position of NEUTRAL ground wire before being moved to center silver-colored terminal block screw.  
B. Center silver-colored terminal block screw  
C. Neutral wire (white or center wire)  
D. 3/4" (1.9 cm) UL listed strain relief  
E. Neutral ground wire

3. Connect ground wire (green or bare) of power supply cable to external ground conductor screw. Tighten screw.



A. External ground conductor screw  
 B. Center silver-colored terminal block screw  
 C. Neutral wire (white or center wire)  
 D. 3/4" (1.9 cm) UL listed strain relief  
 E. Ground wire (green or bare) of power supply cable  
 F. Neutral ground wire

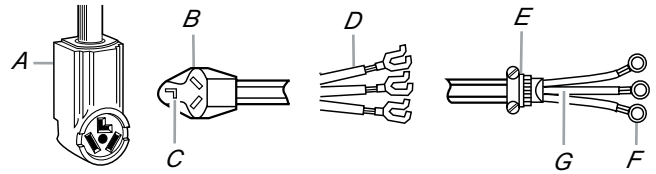
4. Place the hooked ends of the other power supply cable wires under the outer terminal block screws (hooks facing right). Squeeze hooked ends together. Tighten screws.



5. Tighten strain relief screw.
6. Insert tab of terminal block cover into slot of dryer rear panel. Secure cover with hold-down screw.
7. You have completed your electrical connection. Now go to "Venting Requirements," page 2-17.

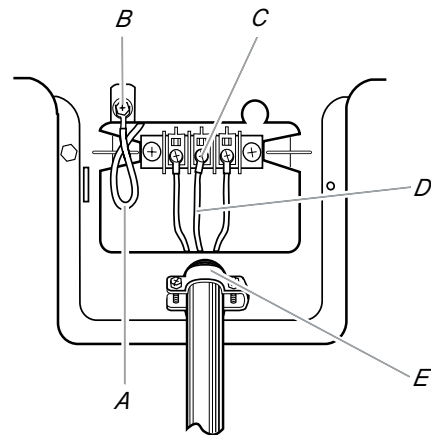
### 3-wire connection: Power Supply Cord

Use where local codes permit connecting cabinet-ground conductor to neutral wire.



A. 3-wire receptacle (NEMA type 10-30R)  
 B. 3-wire plug  
 C. Neutral prong  
 D. Spade terminals with upturned ends  
 E. 3/4" (1.9 cm) UL listed strain relief  
 F. Ring terminals  
 G. Neutral (white or center wire)

1. Loosen or remove center silver-colored terminal block screw.
2. Connect neutral wire (white or center wire) of power supply cord to the center, silver-colored terminal screw of the terminal block. Tighten screw.



A. Neutral ground wire  
 B. External ground conductor screw  
 C. Center silver-colored terminal block screw  
 D. Neutral wire (white or center wire)  
 E. 3/4" (1.9 cm) UL listed strain relief

3. Connect the other wires to outer terminal block screws. Tighten screws.

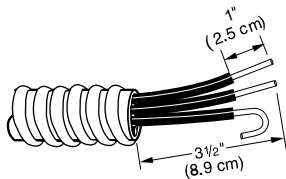
4. Tighten strain relief screws.
5. Insert tab of terminal block cover into slot of dryer rear panel. Secure cover with hold-down screw.
6. You have completed your electrical connection. Now go to "Venting Requirements," page 2-17.

### 3-wire connection: Direct Wire

**Use where local codes permit connecting cabinet-ground conductor to neutral wire.**

Direct wire cable must have 5 ft (1.52 m) of extra length so dryer can be moved if needed.

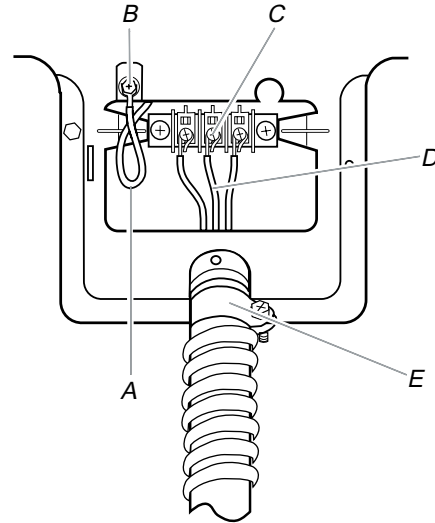
Strip 3-1/2" (8.9 cm) of outer covering from end of cable. Strip insulation back 1" (2.5 cm). If using 3-wire cable with ground wire, cut bare wire even with outer covering. Shape ends of wires into a hook shape.



When connecting to the terminal block, place the hooked end of the wire under the screw of the terminal block (hook facing right), squeeze hooked end together and tighten screw, as shown.

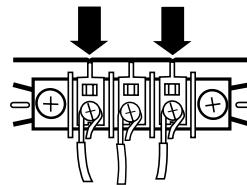


1. Loosen or remove center silver-colored terminal block screw.
2. Place the hooked end of the neutral wire (white or center wire) of power supply cable under the center screw of terminal block (hook facing right). Squeeze hooked end together. Tighten screw.



- A. Neutral ground wire
- B. External ground conductor screw
- C. Center silver-colored terminal block screw
- D. Neutral wire (white or center wire)
- E. 3/4" (1.9 cm) UL listed strain relief

3. Place the hooked ends of the other power supply cable wires under the outer terminal block screws (hooks facing right). Squeeze hooked ends together. Tighten screws.

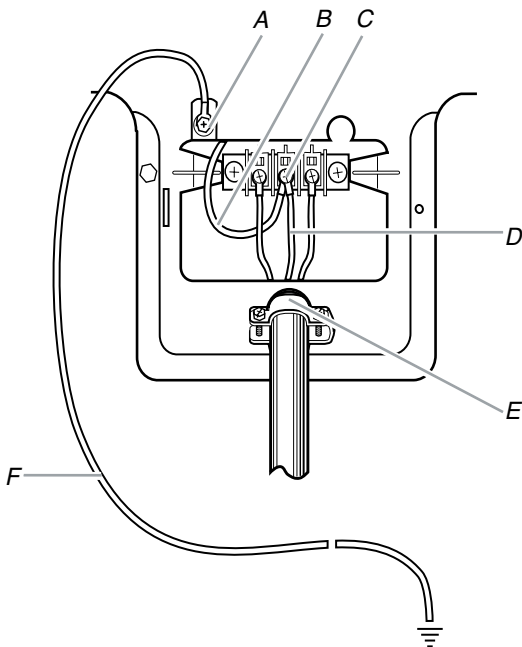


4. Tighten strain relief screw.
5. Insert tab of terminal block cover into slot of dryer rear panel. Secure cover with hold-down screw.
6. You have completed your electrical connection. Now go to "Venting Requirements," page 2-17.

### Optional 3-wire connection

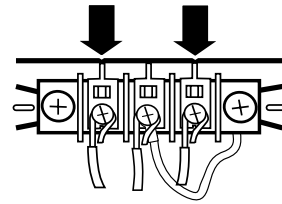
Use for direct wire or power supply cord where local codes do not permit connecting cabinet-ground conductor to neutral wire.

1. Remove center silver-colored terminal block screw.
2. Remove neutral ground wire from external ground conductor screw. Connect neutral ground wire and the neutral wire (white or center wire) of power supply cord/cable under center, silver-colored terminal block screw. Tighten screw.



- A. External ground conductor screw
- B. Neutral ground wire
- C. Center silver-colored terminal block screw
- D. Neutral wire (white or center wire)
- E. 3/4" (1.9 cm) UL listed strain relief
- F. Grounding path determined by a qualified electrician

3. Connect the other wires to outer terminal block screws. Tighten screws.



4. Tighten strain relief screws.
5. Insert tab of terminal block cover into slot of dryer rear panel. Secure cover with hold-down screw.
6. Connect a separate copper ground wire from the external ground conductor screw to an adequate ground.
7. You have completed your electrical connection. Now go to "Venting Requirements," page 2-17.

## ELECTRICAL REQUIREMENTS

### Gas Models Only

#### **WARNING**



#### **Electrical Shock Hazard**

**Plug into a grounded 3 prong outlet.**

**Do not remove ground prong.**

**Do not use an adapter.**

**Do not use an extension cord.**

**Failure to follow these instructions can result in death, fire, or electrical shock.**

- A 120 Volt, 60 Hz., AC only, 15- or 20-amp, fused electrical supply is required. A time-delay fuse or circuit breaker is recommended. It is recommended that a separate circuit serving only this dryer be provided.

#### **GROUNDING INSTRUCTIONS**

- For a grounded, cord-connected dryer:  
This dryer must be grounded. In the event of malfunction or breakdown, grounding will reduce the risk of electric shock by providing a path of least resistance for electric current. This dryer is equipped with a cord having an equipment-grounding conductor and a grounding plug. The plug must be plugged into an appropriate outlet that is properly installed and grounded in accordance with all local codes and ordinances.

**WARNING:** Improper connection of the equipment-grounding conductor can result in a risk of electric shock. Check with a qualified electrician or service representative or personnel if you are in doubt as to whether the dryer is properly grounded. Do not modify the plug provided with the dryer: if it will not fit the outlet, have a proper outlet installed by a qualified electrician.

## GAS SUPPLY REQUIREMENTS

### **⚠ WARNING**



#### **Explosion Hazard**

**Use a new CSA International approved gas supply line.**

**Install a shut-off valve.**

**Securely tighten all gas connections.**

**If connected to LP, have a qualified person make sure gas pressure does not exceed 13" (33 cm) water column.**

**Examples of a qualified person include:**

**licensed heating personnel, authorized gas company personnel, and authorized service personnel.**

**Failure to do so can result in death, explosion, or fire.**

## GAS TYPE

### **Natural Gas:**

This dryer is equipped for use with Natural gas. It is design-certified by CSA International for LP (propane or butane) gases with appropriate conversion.

- The dryer must have the correct burner for the type of gas in your home. Burner information is located on the rating plate in the door well of your dryer. If this information does not agree with the type of gas available, contact your dealer.

### **LP gas conversion:**

**Conversion must be made by a qualified technician.**

No attempt shall be made to convert the appliance from the gas specified on the model/serial rating plate for use with a different gas without consulting your gas company.

## GAS SUPPLY LINE

- 1/2" IPS pipe is recommended.
- 3/8" approved aluminum or copper tubing is acceptable for lengths under 20 ft (6.1 m) if local codes and gas supplier permit.
- Must include 1/8" NPT minimum plugged tapping accessible for test gauge connection, immediately upstream of the gas connection to the dryer (see illustration below).
- If you are using Natural gas, do not use copper tubing.
- Lengths over 20 ft (6.1 m) should use larger tubing and a different size adapter fitting.
- If your dryer has been converted to use LP gas, 3/8" LP compatible copper tubing can be used. If the total length of the supply line is more than 20 ft (6.1 m), use larger pipe.

**NOTE:** Pipe-joint compounds that resist the action of LP gas must be used. Do not use TEFLON<sup>®</sup> tape.

- Must include a shutoff valve:

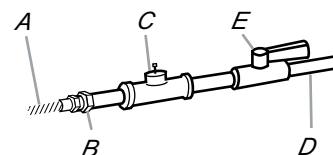
### **In the U.S.A.:**

An individual manual shutoff valve must be installed within six (6) feet (1.8 m) of the dryer in accordance with the National Fuel Gas Code, ANSI Z223.1.

### **In Canada:**

An individual manual shutoff valve must be installed in accordance with the B149.1, Natural Gas and Propane Installation Code. It is recommended that an individual manual shutoff valve be installed within six (6) feet (1.8 m) of the dryer.

The location should be easy to reach for opening and closing.



- A. 3/8" flexible gas connector
- B. 3/8" pipe to flare adapter fitting
- C. 1/8" NPT minimum plugged tapping
- D. 1/2" NPT gas supply line
- E. Gas shutoff valve

## GAS SUPPLY CONNECTION REQUIREMENTS

- Use an elbow and a 3/8" flare x 3/8" NPT adapter fitting between the flexible gas connector and the dryer gas pipe, as needed to avoid kinking.
- Use only pipe-joint compound. Do not use TEFLON<sup>®†</sup> tape.
- This dryer must be connected to the gas supply line with a listed flexible gas connector that complies with the standard for connectors for gas appliances, ANSI Z21.24 or CSA 6.10.

<sup>®†</sup> TEFLON is a registered trademark of E.I. DuPont De Nemours and Company.

## BURNER INPUT REQUIREMENTS

### Elevations above 10,000 ft (3048 m):

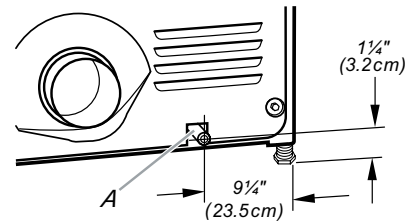
- When installed above 10,000 ft (3048 m) a 4% reduction of the burner B.T.U. rating shown on the model/serial number plate is required for each 1000 ft (305 m) increase in elevation.

### Gas Supply Pressure Testing

- The dryer must be disconnected from the gas supply piping system during pressure testing at pressures greater than 1/2 psi.

## DRYER GAS PIPE

- The gas pipe that comes out through the rear of your dryer has a 3/8" male pipe thread.



A. 3/8" NPT dryer pipe



## VENTING REQUIREMENTS

### **⚠ WARNING**



#### **Fire Hazard**

**Use a heavy metal vent.**

**Do not use a plastic vent.**

**Do not use a metal foil vent.**

**Failure to follow these instructions can result in death or fire.**

**WARNING:** To reduce the risk of fire, this dryer must be exhausted outdoors.

**IMPORTANT:** Observe all governing codes and ordinances.

The dryer exhaust must not be connected into any gas vent, chimney, wall, ceiling or a concealed space of a building.

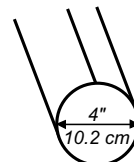
#### **If using an existing vent system**

- Clean lint from the entire length of the system and make sure exhaust hood is not plugged with lint.
- Replace any plastic or metal foil vent with rigid or flexible heavy metal vent.
- Review Vent system chart. Modify existing vent system if necessary to achieve the best drying performance.

#### **If this is a new vent system**

##### **Vent material**

- Use a heavy metal vent. Do not use plastic or metal foil vent.
- 4" (10.2 cm) heavy metal exhaust vent and clamps must be used.



*4" (10.2 cm) heavy metal exhaust vent*

Vent products can be purchased from your dealer or by calling Maytag Services. For more information, see the "Assistance or Service" section of the "Use & Care Guide."

##### **Rigid metal vent**

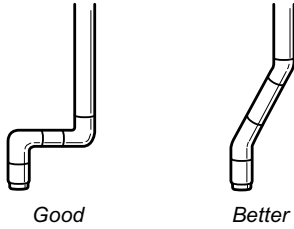
- For best drying performance, rigid metal vents are recommended.
- Rigid metal vent is recommended to avoid crushing and kinking.

##### **Flexible metal vent**

- Flexible metal vents are acceptable only if accessible for cleaning.
- Flexible metal vent must be fully extended and supported when the dryer is in its final position.
- Remove excess flexible metal vent to avoid sagging and kinking that may result in reduced airflow and poor performance.
- Do not install flexible metal vent in enclosed walls, ceilings or floors.

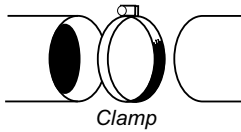
## Elbows

45° elbows provide better airflow than 90° elbows.



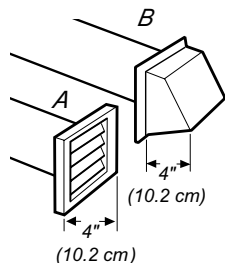
## Clamps

- Use clamps to seal all joints.
- Exhaust vent must not be connected or secured with screws or other fastening devices that extend into the interior of the duct. Do not use duct tape.



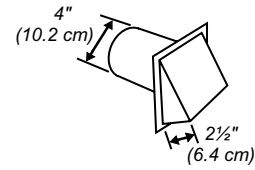
## Exhaust

Recommended hood styles are shown here.



A. Louvered hood style  
B. Box hood style

The angled hood style (shown here) is acceptable.



- An exhaust hood should cap the vent to keep rodents and insects from entering the home.
- Exhaust hood must be at least 12" (30.5 cm) from the ground or any object that may be in the path of the exhaust (such as flowers, rocks or bushes, snow line, etc.).
- Do not use an exhaust hood with a magnetic latch.

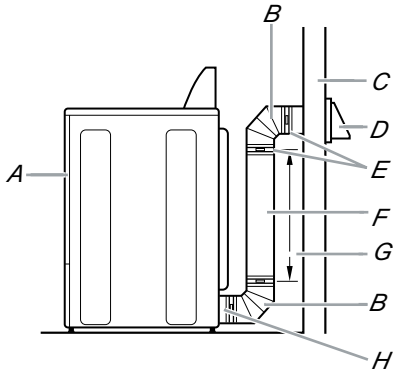
**Improper venting can cause moisture and lint to collect indoors, which may result in:**

- Moisture damage to woodwork, furniture, paint, wallpaper, carpets, etc.
- Housecleaning problems and health problems.

## PLAN VENT SYSTEM

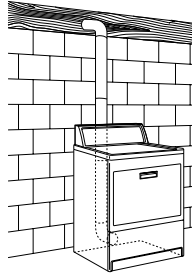
### Recommended exhaust installations

Typical installations vent the dryer from the rear of the dryer. Other installations are possible.



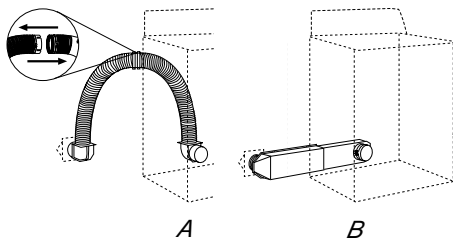
- |                 |  |
|-----------------|--|
| A. Dryer        | E. Clamps                                  |
| B. Elbow        | F. Rigid metal or flexible metal vent      |
| C. Wall         | G. Vent length necessary to connect elbows |
| D. Exhaust hood | H. Exhaust outlet                          |

### Standard exhaust installation with rigid metal or flexible metal vent



### Alternate installations for close clearances

Venting systems come in many varieties. Select the type best for your installation. Two close-clearance installations are shown. Refer to the manufacturer's instructions.



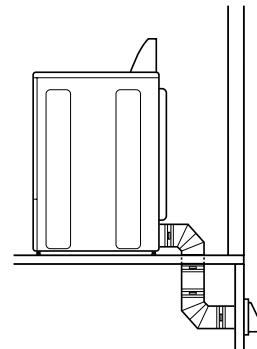
- A. Over-the-top installation (also available with one offset elbow)  
 B. Periscope installation

**NOTE:** The following kits for close clearance alternate installations are available for purchase. Please see the "Assistance or Service" section of the "Use & Care Guide" to order:

- Over-the-Top Installation:  
Part Number 4396028
- Periscope Installation (For use with dryer vent to wall vent mismatch):  
Part Number 4396037 - 0" (0 cm) to 18" (45.72 cm) mismatch  
Part Number 4396011 - 18" (45.72 cm) to 29" (73.66 cm) mismatch  
Part Number 4396014 - 29" (73.66 cm) to 50" (127 cm) mismatch

### Special provisions for mobile home installations

The exhaust vent must be securely fastened to a noncombustible portion of the mobile home structure and must not terminate beneath the mobile home. Terminate the exhaust vent outside.



### Determine vent path

- Select the route that will provide the straightest and most direct path outdoors.
- Plan the installation to use the fewest number of elbows and turns.
- When using elbows or making turns, allow as much room as possible.
- Bend vent gradually to avoid kinking.
- Use the fewest 90° turns possible.

### Determine vent length and elbows needed for best drying performance

- Use the following Vent system chart to determine type of vent material and hood combinations acceptable to use.

**NOTE:** Do not use vent runs longer than those specified in the Vent system chart. Exhaust systems longer than those specified will:

- Shorten the life of the dryer.
- Reduce performance, resulting in longer drying times and increased energy usage.

The Vent system chart provides venting requirements that will help to achieve the best drying performance.

### Vent system chart

Number of 90° turns or elbows	Type of vent	Box or Louvered hoods	Angled hoods
0	Rigid metal	64 ft (20 m)	58 ft (17.7 m)
	Flexible metal	36 ft (11 m)	28 ft (8.5 m)
1	Rigid metal	54 ft (16.5 m)	48 ft (14.6 m)
	Flexible metal	31 ft (9.4 m)	23 ft (7 m)
2	Rigid metal	44 ft (13.4 m)	38 ft (11.6 m)
	Flexible metal	27 ft (8.2 m)	19 ft (5.8 m)
3	Rigid metal	35 ft (10.7 m)	29 ft (8.8 m)
	Flexible metal	25 ft (7.6 m)	17 ft (5.2 m)
4	Rigid metal	27 ft (8.2 m)	21 ft (6.4 m)
	Flexible metal	23 ft (7 m)	15 ft (4.6 m)

## INSTALL VENT SYSTEM

1. Install exhaust hood. Use caulking compound to seal exterior wall opening around exhaust hood.
2. Connect vent to exhaust hood. Vent must fit inside exhaust hood. Secure vent to exhaust hood with 4" (10.2 cm) clamp.
3. Run vent to dryer location. Use the straightest path possible. See "Determine vent path," page 2-20 in "Plan Vent System." Avoid 90° turns. Use clamps to seal all joints. Do not use duct tape, screws or other fastening devices that extend into the interior of the vent to secure vent.

## INSTALL LEVELING LEGS

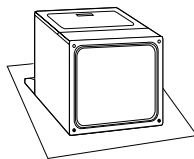
### **! WARNING**

#### **Excessive Weight Hazard**

**Use two or more people to move and install dryer.**

**Failure to do so can result in back or other injury.**

1. To protect the floor, use a large, flat piece of cardboard from the dryer carton. Place cardboard under the entire back edge of the dryer.
2. Firmly grasp the body of the dryer (not the top or console panel). Gently lay the dryer on the cardboard. See illustration.



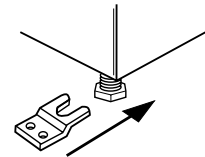
3. Examine the leveling legs. Find the diamond marking.



4. Screw the legs into the leg holes by hand. Use a wrench to finish turning the legs until the diamond marking is no longer visible.
5. Place a carton corner post from dryer packaging under each of the 2 dryer back corners. Stand the dryer up. Slide the dryer on the corner posts until it is close to its final location. Leave enough room to connect the exhaust vent or gas line.

### For mobile home use

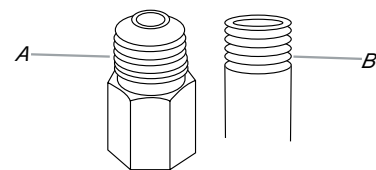
Gas dryers must be securely fastened to the floor.



Mobile home installations require a Mobile Home Installation Kit. See "Tools and Parts," page 2-1 for information on ordering.

## MAKE GAS CONNECTION (GAS MODELS ONLY)

1. Remove the red cap from the gas pipe.
2. Using a wrench to tighten, connect the gas supply to the dryer. Use pipe-joint compound on the threads of all nonflared male fittings. If flexible metal tubing is used, be sure there are no kinks.

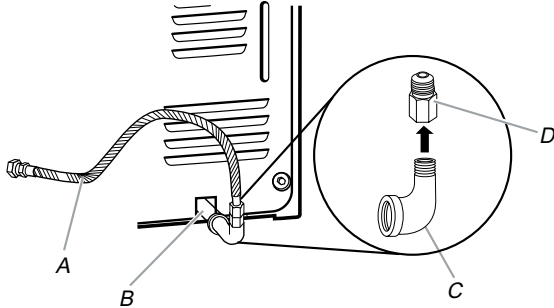


A. Flared male thread  
B. Non-flared male thread

**NOTE:** For LP gas connections, you must use pipe-joint compound resistant to the action of LP gas. Do not use Teflon<sup>®†</sup> tape.

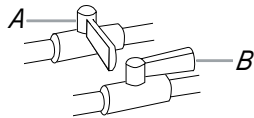
<sup>®†</sup> Teflon is a registered trademark of E.I. DuPont De Nemours and Company.

A combination of pipe fittings must be used to connect the dryer to the existing gas line. Shown is a recommended connection. The connection may be different, according to the supply line type, size and location.



A.  $\frac{3}{8}$ " flexible gas connector  
 B.  $\frac{3}{8}$ " dryer pipe  
 C.  $\frac{3}{8}$ " to  $\frac{1}{2}$ " pipe elbow  
 D.  $\frac{3}{8}$ " pipe-to-flare adapter fitting

3. Open the shutoff valve in the supply line. The valve is open when the handle is parallel to the gas pipe.



A. Closed valve  
 B. Open valve

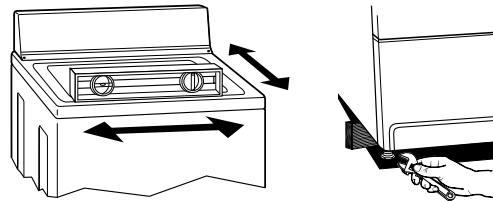
4. Test all connections by brushing on an approved noncorrosive leak-detection solution. Bubbles will show a leak. Correct any leak found.

## CONNECT VENT

1. Using a 4" (10.2 cm) clamp, connect vent to exhaust outlet in dryer. If connecting to existing vent, make sure the vent is clean. The dryer vent must fit over the dryer exhaust outlet and inside the exhaust hood. Make sure the vent is secured to exhaust hood with a 4" (10.2 cm) clamp.
2. Move dryer into its final location. Do not crush or kink vent.
3. (On gas models) Make sure that there are no kinks in the flexible gas line.
4. Once the exhaust vent connection is made, remove the corner posts and cardboard.

## LEVEL DRYER

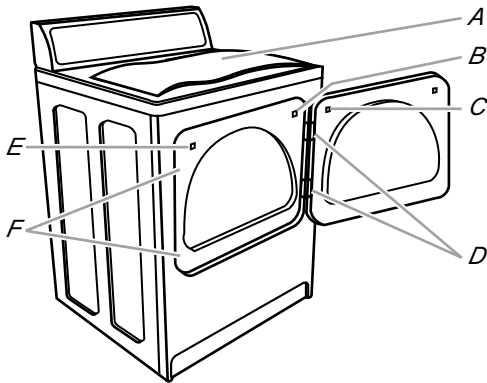
Check the levelness of the dryer. Check levelness first side to side, then front to back.



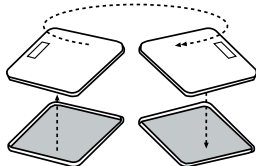
If the dryer is not level, prop up the dryer using a wood block. Use a wrench to adjust the legs up or down and check again for levelness.

## REVERSE DOOR SWING

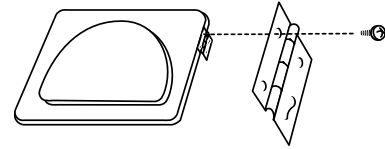
You can change your door swing from a right-side opening to a left-side opening, if desired.



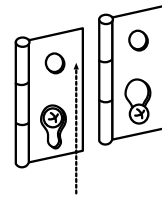
1. Place a towel (A) on top of the dryer to protect the surface.
2. Open dryer door. Remove bottom screws from cabinet side of hinges (D). Loosen (do not remove) top screws from cabinet side of hinges.
3. Lift door until top screws in cabinet are in large part of hinge slot. Pull door forward off screws. Set door (handle side up) on top of dryer. Remove top screws from cabinet.
4. Remove screws attaching hinges to door.
5. Remove screws at top, bottom and side of door (4 screws). Holding door over towel on dryer, grasp sides of outer door and gently lift to separate it from inner door. Do not pry apart with putty knife. Do not pull on door seal or plastic door catches.
6. Be certain to keep cardboard spacer centered between doors. Reattach outer door panel to inner door panel so handle is on the side where hinges were just removed.



7. Attach door hinges to dryer door so that the larger hole is at the bottom of the hinge.



8. Remove door strike (E) from cabinet. Use a small, flat-blade screwdriver to gently remove 4 hinge hole plugs (F) on left side of cabinet. Insert plugs into hinge holes on right side of cabinet.
9. Insert screws into bottom holes on left side of cabinet. Tighten screws halfway. Position door so large end of door hinge slot is over screws. Slide door up so screws are in bottom of slots. Tighten screws. Insert and tighten top screws in hinges.



10. Remove door strike plug (B). Insert the door strike you removed in Step 8 into hole and secure with screw. Insert door strike plug into original door strike hole and secure with screw.
11. Close door and check that door strike aligns with door catch (C). If it is needed, slide door catch left or right within slot to adjust alignment.

## COMPLETE INSTALLATION

1. Check that all parts are now installed. If there is an extra part, go back through the steps to see which step was skipped.
2. Check that you have all of your tools.
3. Dispose of/recycle all packaging materials.
4. Check the dryer's final location. Be sure the vent is not crushed or kinked.
5. Check that the dryer is level. See "Level Dryer," page 2-22.

**⚠ WARNING**



**Electrical Shock Hazard**

**Plug into a grounded 3 prong outlet.**

**Do not remove ground prong.**

**Do not use an adapter.**

**Do not use an extension cord.**

**Failure to follow these instructions can result in death, fire, or electrical shock.**

6. **In the U.S.A.**
  - For power supply cord installation, plug into a grounded outlet. For direct wire installation, turn on power.
- In Canada:**
  - Plug into a grounded 4 prong outlet. Turn on power.
7. Remove any protective film on the console or any tape remaining on the dryer.
8. Read "Dryer Use," page 3-3.
9. Wipe the dryer drum interior thoroughly with a damp cloth to remove any dust.
10. **Electric Dryers Only:** Set the dryer on a full heat cycle (not an air cycle) for 20 minutes and start the dryer.

**If the dryer will not start, check the following:**

- Controls are set in a running or "On" position.
  - Start button has been pushed firmly.
  - Dryer is plugged into a grounded outlet and/or electrical supply is on.
  - Household fuse is intact and tight, or circuit breaker has not tripped.
  - Dryer door is closed.
11. **Gas Dryers Only:** Select a Timed Dry heated cycle, and start the dryer. Do not select the Air Only Temperature setting.

**If the dryer will not start, check the following:**

- Dryer is plugged into a grounded 3 prong outlet.
  - Electrical supply is connected.
  - Household fuse is intact and tight, or circuit breaker has not tripped.
  - Dryer door is closed.
12. **Electric Dryers Only:** When the dryer has been running for 5 minutes, open the dryer door and feel for heat. If you feel heat, cancel cycle and close the door.

**If you do not feel heat, turn off the dryer and check the following:**

- There may be 2 household fuses or circuit breakers for the dryer. Check that both fuses are intact and tight, or that both circuit breakers have not tripped. If there is still no heat, contact a qualified technician.

**NOTE:** You may notice an odor when the dryer is first heated. This odor is common when the heating element is first used. The odor will go away.

13. **Gas Dryers Only:** When the dryer has been running for 5 minutes, open the dryer door and feel for heat. If you feel heat, cancel cycle and close door. If you do not feel heat, turn off the dryer and check that the gas supply line shutoff valve is open.
  - If the gas supply line shutoff valve is closed, open it, then repeat the 5-minute test as outlined above.
  - If the gas supply line shutoff valve is open, contact a qualified technician.



# PRODUCT OPERATION

## DRYER USE



### **⚠ WARNING**



#### **Explosion Hazard**

Keep flammable materials and vapors, such as gasoline, away from dryer.

Do not dry anything that has ever had anything flammable on it (even after washing).

Failure to follow these instructions can result in death, explosion, or fire.

### **⚠ WARNING**



#### **Fire Hazard**

No washer can completely remove oil. Do not dry anything that has ever had any type of oil on it (including cooking oils).

Items containing foam, rubber, or plastic must be dried on a clothesline or by using an Air Cycle.

Failure to follow these instructions can result in death or fire.

## STARTING YOUR DRYER

This section covers several different models. Your dryer may not have all of the cycles and features described.

Before using your dryer, wipe the dryer drum with a damp cloth to remove dust from storing and shipping.

1. Clean lint screen before each load. See “Cleaning the Lint Screen.”
2. Load clothes loosely into the dryer and close the door. Do not pack the dryer. Allow space for clothes to tumble freely.
3. Turn the Cycle Control knob to the recommended cycle for the type of load being dried. Use the Energy Preferred setting (\*) to dry most heavy to medium-weight fabrics.
4. If your dryer has a Temperature selector, set it to the recommended setting for the type of fabric being dried. See “Dryer Cycle Descriptions” (separate sheet) for temperature suggestions. On some models, temperature is included in the cycle selections.
5. (OPTIONAL) Your dryer may have a WRINKLE PREVENT feature selector. When you are unable to remove a load from the dryer as soon as it stops, wrinkles can form. This feature periodically tumbles, rearranges and fluffs the load without heat to help smooth out wrinkles.
6. (OPTIONAL) Your dryer may have an END OF CYCLE SIGNAL. The signal is helpful when drying items that should be removed from the dryer as soon as it stops.
  - On some models, the volume of the End of Cycle signal can be adjusted. Turn the selector to the desired volume.
  - On other models, the End of Cycle signal is part of the Start button and is selectable. Turn the START button to ON or OFF. The signal will sound only if the selector is set to On.
7. Select the desired Option. See “Dryer Cycle Descriptions” (separate sheet).

8. If desired, add fabric softener sheet. Follow instructions on the package.

9. Push the START button.

## HOW AUTOMATIC DRYING WORKS

When you are using the Auto Moisture Sensing Cycle, the dryness of the load is determined by two metal strips (sensors) located on the inside of the dryer. The metal strips help “feel” the amount of moisture left in the clothes as they pass. When moisture is left in the clothes, the Cycle Control knob will not advance. As clothes begin to dry, the amount of water left in the clothes decreases, and the timer advances through the remainder of the cycle. When the selected dryness level is reached, the dryer goes into a cool down period of up to ten minutes.

## STOPPING AND RESTARTING

You can stop your dryer anytime during a cycle.

### To stop your dryer:

Open the dryer door or turn the Cycle Control knob to OFF.

**NOTE:** The Cycle Control knob should point to an Off area when the dryer is not in use.

### To restart your dryer:

1. Close the door.
2. Select a new cycle and temperature (if desired).
3. Push the START button.

## DRYING RACK OPTION

Use the Drying Rack to dry items such as sweaters and pillows without tumbling. The drum turns, but the rack does not move.

If your model does not have a drying rack, you may be able to purchase one for your model. To find out whether your model allows drying rack usage and for information on ordering, please refer to the “Use and Care Guide,” or contact the dealer from whom you purchased your dryer.

**NOTE:** The rack must be removed for normal tumbling. Do not use the automatic cycle with the drying rack.

**To use the drying rack:**

1. Place drying rack in dryer.

**Style 1:** Your drying rack has front legs. Slide rear pegs into the dimples on the back wall of the dryer. Lower the front legs to rest on the dryer opening.

**Style 2:** Your drying rack does not have front legs. Do not remove the lint screen. Slide drying rack over the bottom of the dryer door opening. Push down to secure rack on frame.

2. Put wet items on top of rack, leaving space between items. Do not allow items to hang over the edge of the rack. Close the door.
3. Select a timed drying cycle and temperature, or an air cycle. Items containing foam, rubber, or plastic must be dried on a clothesline or by using an air cycle. Refer to the following table.
4. Start the dryer. Reset cycle to complete drying, if needed.

Rack Dry	Cycle	Temp	Time
Washable wool items (block to shape, lay flat on rack)	Timed Drying	Low	60 min.
Stuffed toys/pillows (cotton or polyester filled)	Timed Drying	Low	60 min.
Stuffed toys/pillows Foam rubber filled	Air (no heat)	N/A	90 min.

# DRYER CARE

## CLEANING THE DRYER LOCATION

Keep dryer area clear and free from items that would obstruct the flow of combustion and ventilation air.

**⚠ WARNING**



**Explosion Hazard**

**Keep flammable materials and vapors, such as gasoline, away from dryer.**

**Place dryer at least 18 inches (46 cm) above the floor for a garage installation.**

**Failure to do so can result in death, explosion, or fire.**

## CLEANING THE LINT SCREEN

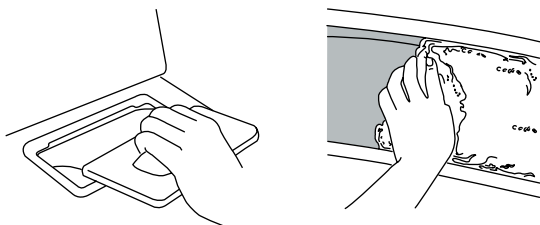
Clean lint screen before each load. A screen blocked by lint can increase drying time.

### IMPORTANT:

- Do not run the dryer with the lint screen loose, damaged, blocked or missing. Doing so can cause overheating and damage to both the dryer and fabrics.
- If lint falls off the screen into the dryer during removal, check the exhaust hood and remove the lint.

### Every Load Cleaning

1. The lint screen is located on top of the dryer. Pull the lint screen toward you. Roll lint off the screen with your fingers. Do not rinse or wash screen to remove lint. Wet lint is hard to remove.



2. Push the lint screen firmly back into place.

### As Needed Cleaning

1. Roll lint off the screen with your fingers.
2. Wet both sides of lint screen with hot water.
3. Wet a nylon brush with hot water and liquid detergent. Scrub lint screen with the brush to remove residue buildup.
4. Rinse screen with hot water.
5. Thoroughly dry lint screen with a clean towel. Replace screen in dryer.

## CLEANING THE DRYER INTERIOR

1. Apply a liquid, nonflammable household cleaner to the stained area of the drum and rub with a soft cloth until stain is removed.
2. Wipe drum thoroughly with a damp cloth.
3. Tumble a load of clean cloths or towels to dry the drum.

**NOTE:** Garments that contain unstable dyes, such as denim blue jeans or brightly colored cotton items, may discolor the dryer interior. These stains are not harmful to your dryer and will not stain future loads of clothes. Dry unstable dye items inside-out to avoid dye transfer.

## REMOVING ACCUMULATED LINT

### From Inside the Dryer Cabinet

Lint should be removed every two years, or more often, depending on dryer usage. Cleaning should be done by a qualified person.

### From the Exhaust Vent

Lint should be removed every two years, or more often, depending on dryer usage.

## VACATION AND MOVING CARE

### VACATION CARE

Operate your dryer only when you are at home. If you will be on vacation or not using your dryer for an extended period of time, you should:

1. Unplug dryer or disconnect power.
2. Close shutoff valve in gas supply line.
3. Clean lint screen. See "Cleaning the Lint Screen," page 3-4.

### MOVING CARE

#### For power supply cord-connected dryers:

1. Unplug the power supply cord.
2. Close shutoff valve in gas supply line.
3. Disconnect gas supply line pipe and remove fittings attached to dryer pipe.
4. Cap the open fuel supply line.
5. Make sure leveling legs are secure in dryer base.
6. Use masking tape to secure dryer door.

#### For direct-wired dryers:

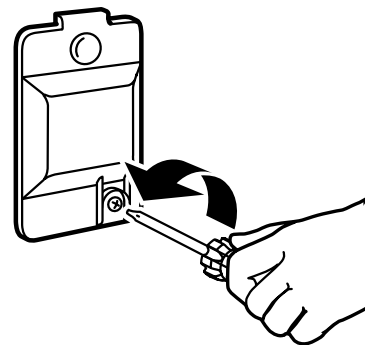
<b>⚠ WARNING</b>

<b>Electrical Shock Hazard</b> <b>Disconnect power before servicing.</b> <b>Replace all parts and panels before operating.</b> <b>Failure to do so can result in death or electrical shock.</b>

1. Disconnect power.
2. Disconnect wiring.
3. Make sure leveling legs are secure in dryer base.
4. Use masking tape to secure dryer door.

### CHANGING THE DRUM LIGHT

1. Unplug dryer or disconnect power.
2. Open the dryer door. Locate the light bulb cover on the back wall of the dryer. Remove the screw located in the lower right corner of the cover. Remove the cover.



3. Turn bulb counterclockwise. Replace the bulb with a 10-watt appliance bulb only. Replace the cover and secure with the screw.
4. Plug in dryer or reconnect power.

# TROUBLESHOOTING

## DRYER OPERATION

---

### Dryer will not run

---

- **Has a household fuse blown, or has a circuit breaker tripped?**

The drum may be turning, but you may not have heat. Electric dryers use 2 household fuses or circuit breakers. Replace the fuse or reset the circuit breaker. If the problem continues, call an electrician.

- **Is the correct power supply available?**  
Electric dryers require 240-volt power supply. Check with a qualified electrician.
- **Was a regular fuse used?**  
Use a time-delay fuse.
- **Is the dryer door firmly closed?**
- **Was the Start button firmly pressed?**
- **Is a cycle selected?**

The dryer will not start in the Wrinkle Prevention position. Move the dial past OFF.

---

### No heat

---

- **Has a household fuse blown, or has a circuit breaker tripped?**

The drum may be turning, but you may not have heat. Electric dryers use 2 household fuses or circuit breakers. Replace the fuse or reset the circuit breaker. If the problem continues, call an electrician.

- **Is the valve open on the gas supply line?**

### Unusual sounds

---

- **Has the dryer had a period of non-use?**

If the dryer hasn't been used for a while, there may be a thumping sound during the first few minutes of operation.

- **Is a coin, button or paper clip caught between the drum and front or rear of the dryer?**

Check the front and rear edges of the drum for small objects. Clean out pockets before laundering.

- **Is it a gas dryer?**

The gas valve clicking is a normal operation sound.

- **Are the four legs installed, and is the dryer level front to back and side to side?**

The dryer may vibrate if not properly installed. See the Installation Instructions.

- **Is the clothing knotted or balled up?**

When balled up, the load will bounce, causing the dryer to vibrate. Separate the load items and restart the dryer.

---

### Timer does not noticeably advance

---

- **Is the dryer set to Timed or Air Dry?**

The timer moves slowly and continuously for the time setting.

- **Is the dryer set to Automatic Drying?**

The timer moves only when the clothing is mostly dry. See "How Automatic Drying Works" in "Dryer Use."

## DRYER RESULTS

Clothes are not drying satisfactorily, drying times are too long, or load is too hot

- **Is the lint screen clogged with lint?**  
Lint screen should be cleaned before each load.

### **WARNING**



#### **Fire Hazard**

**Use a heavy metal vent.  
Do not use a plastic vent.  
Do not use a metal foil vent.  
Failure to follow these instructions can result in death or fire.**

- **Is the exhaust vent or outside exhaust hood clogged with lint, restricting air movement?**  
Run the dryer for 5-10 minutes. Hold your hand under the outside exhaust hood to check air movement. If you do not feel air movement, clean exhaust system of lint or replace exhaust vent with heavy metal or flexible metal vent. See the Installation Instructions.
- **Are fabric softener sheets blocking the grille?**  
Use only one fabric softener sheet, and use it only once.
- **Is the exhaust vent the correct length?**  
Check that the exhaust vent is not too long or has too many turns. Long venting will increase drying times. See the Installation Instructions.
- **Is the exhaust vent diameter the correct size?**  
Use 4" (10.2 cm) diameter vent material.

### **WARNING**



#### **Explosion Hazard**

**Keep flammable materials and vapors, such as gasoline, away from dryer.  
Place dryer at least 18 inches (46 cm) above the floor for a garage installation.  
Failure to do so can result in death, explosion, or fire.**

- **Is the dryer located in a room with temperature below 45°F (7°C)?**  
Proper operation of dryer cycles requires temperatures above 45°F (7°C).
- **Is the dryer located in a closet?**  
Closet doors must have ventilation openings at the top and bottom of the door. The rear of the dryer requires 5" (12.7 cm) of airspace, and the sides and front of the dryer require a minimum of 1" (2.5 cm). See the Installation Instructions.
- **Has the air dry cycle been selected?**  
Select the right cycle for the types of garments being dried.
- **Is the load too large and heavy to dry quickly?**  
Separate the load to tumble freely.

#### **Cycle time too short**

### **WARNING**

#### **Excessive Weight Hazard**

**Use two or more people to move and install dryer.  
Failure to do so can result in back or other injury.**

- **Is the automatic cycle ending early?**

The load may not be contacting the sensor strips. Level the dryer.

Change the dryness level setting on Automatic Cycles. Increasing or decreasing the dryness level will change the amount of drying time in a cycle.

---

### **Lint on load**

---

- **Is the lint screen clogged?**

Lint screen should be cleaned before each load.

---

### **Stains on load or drum**

---

- **Was dryer fabric softener properly used?**

Add dryer fabric softener sheets at the beginning of the cycle. Fabric softener sheets added to a partially dried load can stain your garments.

Drum stains are caused by dyes in clothing (usually blue jeans). This will not transfer to other clothing.

---

### **Loads are wrinkled**

---

- **Was the load removed from dryer at the end of the cycle?**

- **Was the dryer overloaded?**

Dry smaller loads that can tumble freely.

---

### **Odors**

---

- **Have you recently been painting, staining or varnishing in the area where your dryer is located?**

If so, ventilate the area. When the odors or fumes are gone from the area, rewash and dry the clothing.

- **Is the dryer being used for the first time?**

The new electric heating element may have an odor. The odor will be gone after the first cycle.

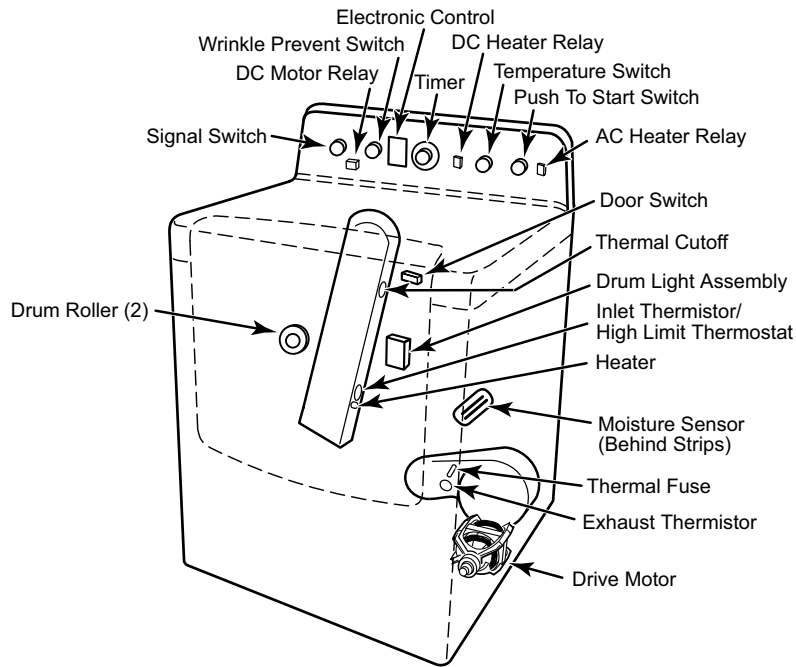


# COMPONENT ACCESS

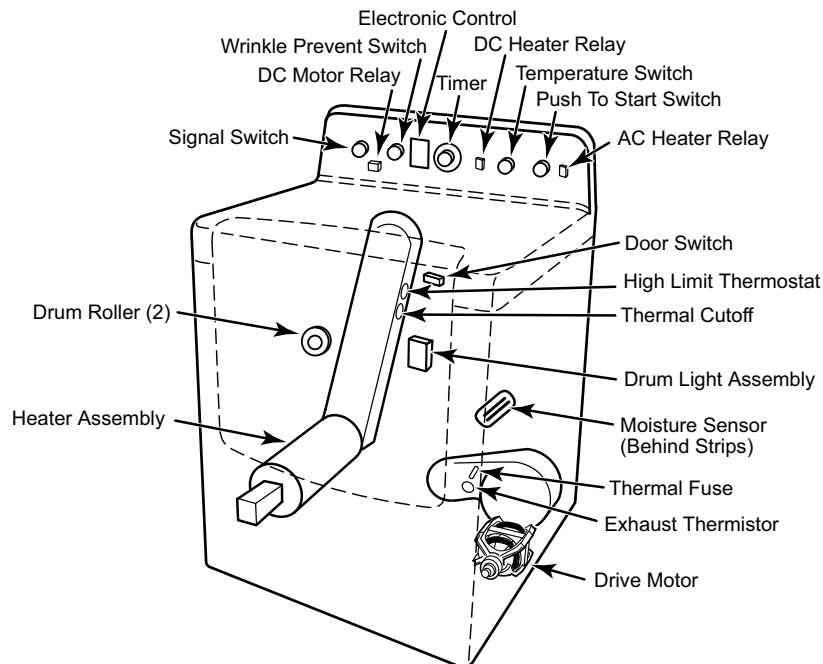
This section instructs you on how to service each component inside the Maytag Centennial™ Electric & Gas Dryers. The components and their locations are shown below.

## COMPONENT LOCATIONS

### Electric Dryer Components



### Gas Dryer Components



# REMOVING THE CONTROL PANEL COMPONENTS

## ⚠️ WARNING



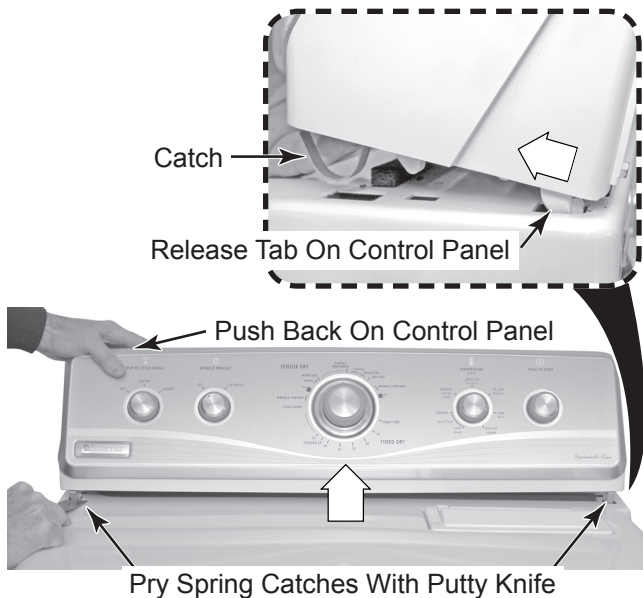
### Electrical Shock Hazard

**Disconnect power before servicing.**

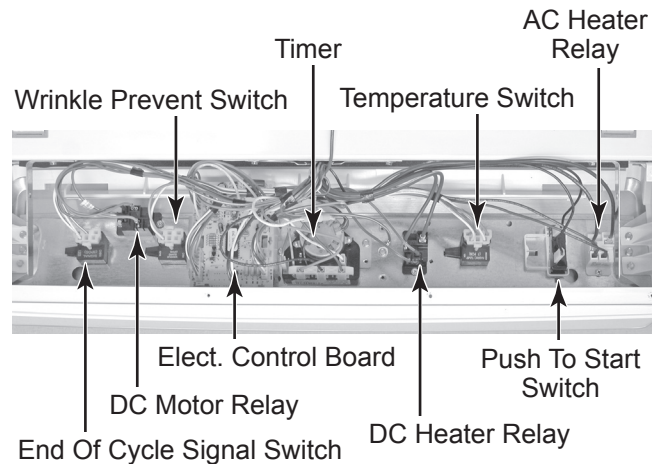
**Replace all parts and panels before operating.**

**Failure to do so can result in death or electrical shock.**

1. Unplug dryer or disconnect power.
2. Turn off gas supply to dryer.
3. Slide the blade of a putty knife under the left and right front corners of the control panel, and push back on the top of the panel to unlatch the two catches and tabs.

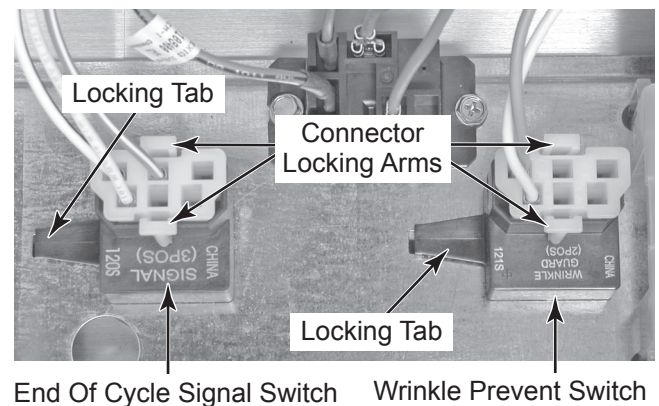


4. Position the control panel so that the rear cover is facing you, remove the six cover screws, and remove the cover.



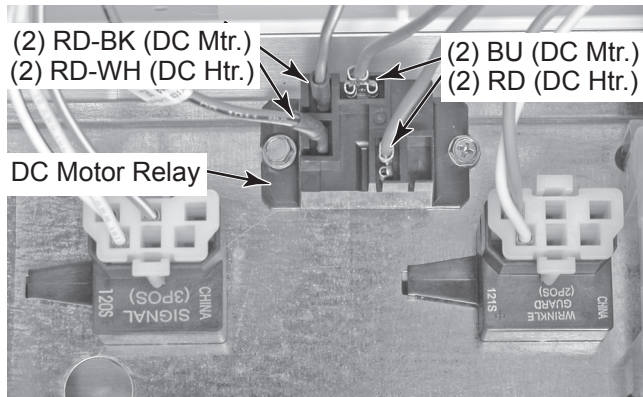
5. **To remove the end of cycle signal, wrinkle prevent, or temperature switches:**

- a) Pull the knob off the switch.
- b) Squeeze the locking arms and disconnect the wiring connector from the switch terminals.
- c) Lift the locking tab, turn the control 45°, and remove it from the control panel.



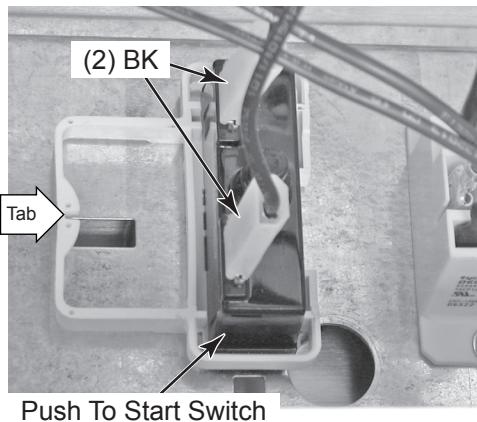
6. **To remove the DC motor and DC heater relays:**

- a) Disconnect the wire connectors from the relay terminals.
- b) Loosen one screw, remove the other screw, and remove the relay from the control panel.

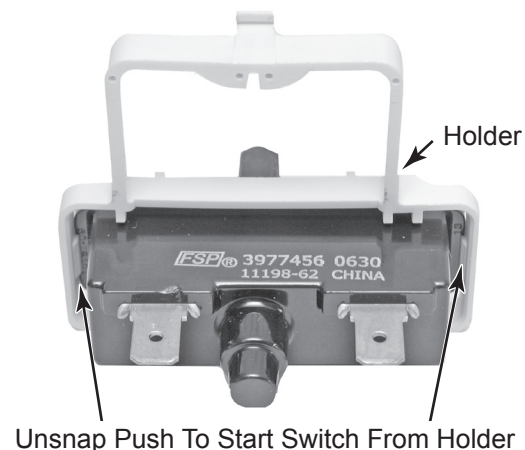


7. **To remove the push to start switch:**

- a) Pull the knob off the switch.
- b) Disconnect the wire connectors from the switch terminals.
- c) Push the locking tab toward the switch and remove the switch from the control panel.

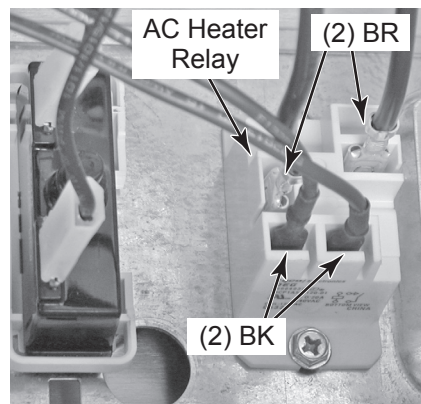


- d) Unsnap the push to start switch from its holder and remove it.



8. **To remove the AC heater relay:**

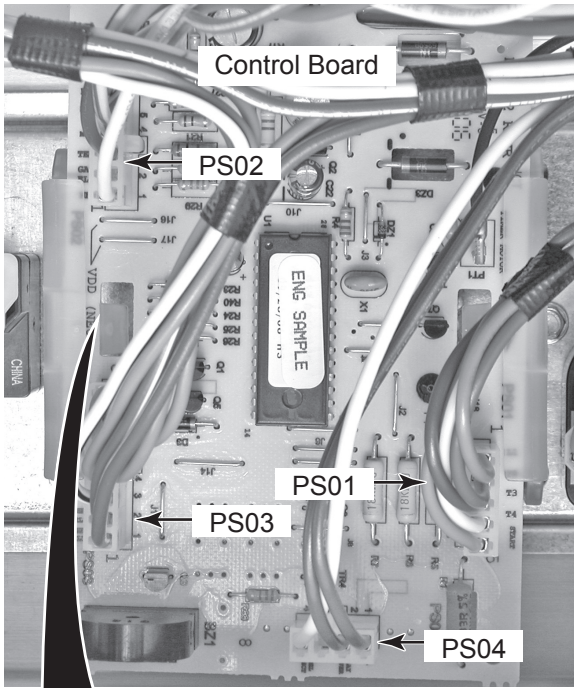
- a) Disconnect the wire connectors from the relay terminals.
- b) Loosen one screw, remove the other screw, and remove the relay from the control panel.



**Continued on the next page.**

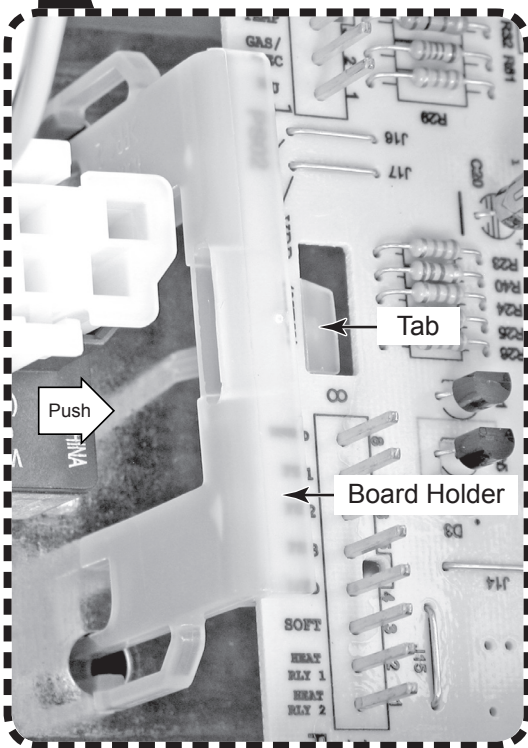
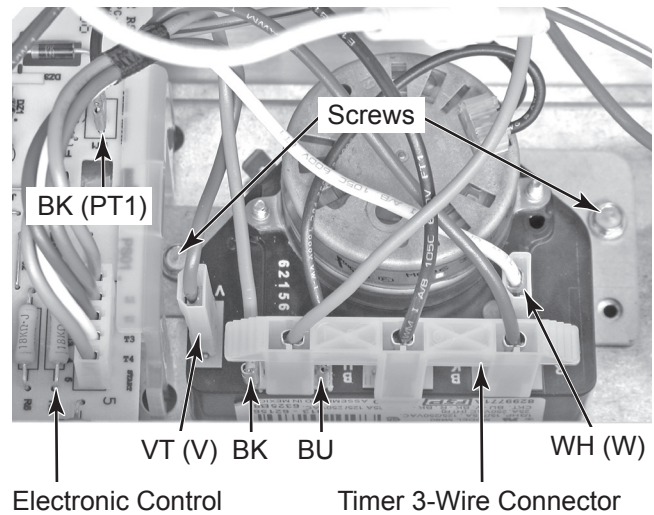
9. To remove the control board:

- a) Disconnect wire connectors PS01 through PS04 from the board terminals.
- b) Push the end of the locking tab stop from against the control panel, press down on the locking tabs, and remove the control board from the holders.



10. To remove the timer:

- a) Pull the knob off the timer.
- b) Disconnect the wire connectors from the timer terminals and electronic control board connector PT1.
- c) Remove the two mounting screws from the timer bracket and remove the timer from the control panel.



# REMOVING THE DOOR SWITCH AND CABINET FRONT

## ⚠ WARNING



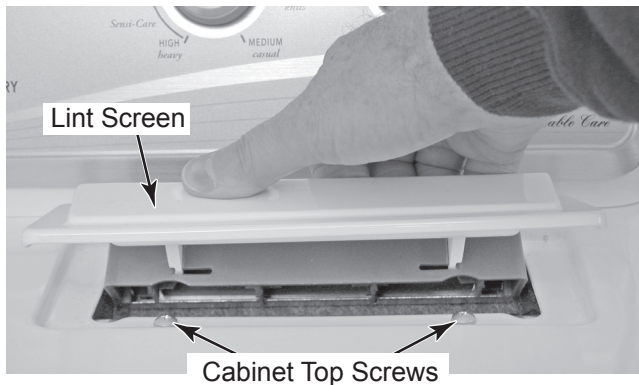
### Electrical Shock Hazard

Disconnect power before servicing.

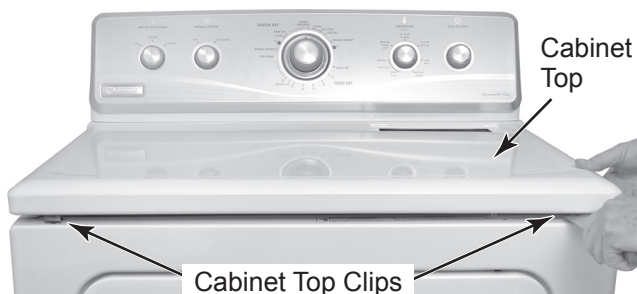
Replace all parts and panels before operating.

Failure to do so can result in death or electrical shock.

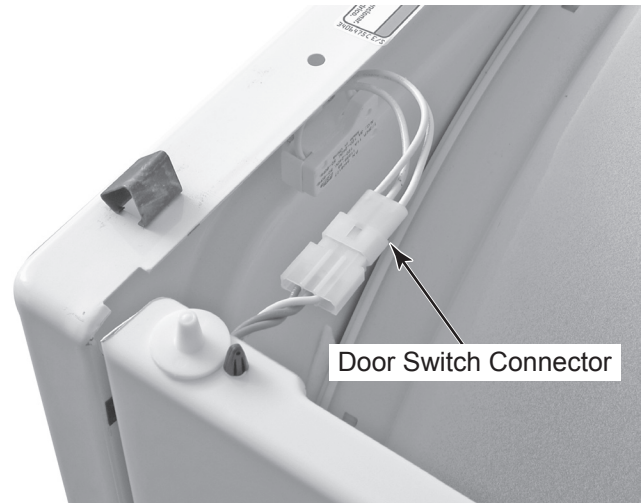
1. Unplug dryer or disconnect power.
2. Turn off gas supply to dryer.
3. Pull out and remove the lint screen.
4. Remove the two cabinet top screws.



5. While lifting the front corners of the cabinet top, press a putty knife against the left and right top clips, and release them from the top. Rotate the cabinet top up and rest it against a wall.



6. To remove the door switch:
  - a) Disconnect the door switch connector from the harness connector.



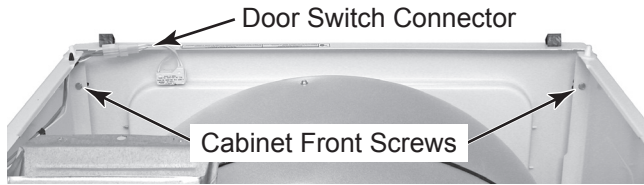
- b) Open the dryer door.
- c) Remove the two screws from the door switch and remove the switch.



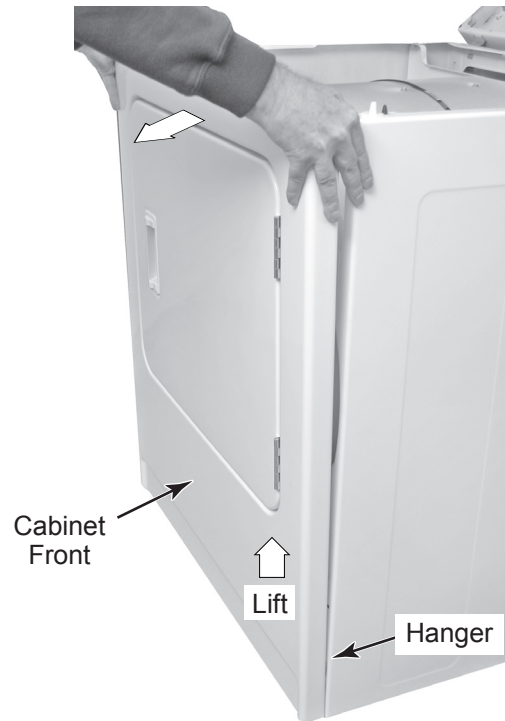
**Continued on the next page.**

7. **To remove the cabinet front:**

- a) Disconnect the door switch connector from the harness connector.
- b) Remove the left and right screws from the inside of the cabinet front.



- c) Pull the cabinet front forward slightly, lift and unhook it from the two bottom hangers, and remove the front.



# REMOVING THE DRUM AND FRONT PANEL BEARINGS

## ⚠ WARNING



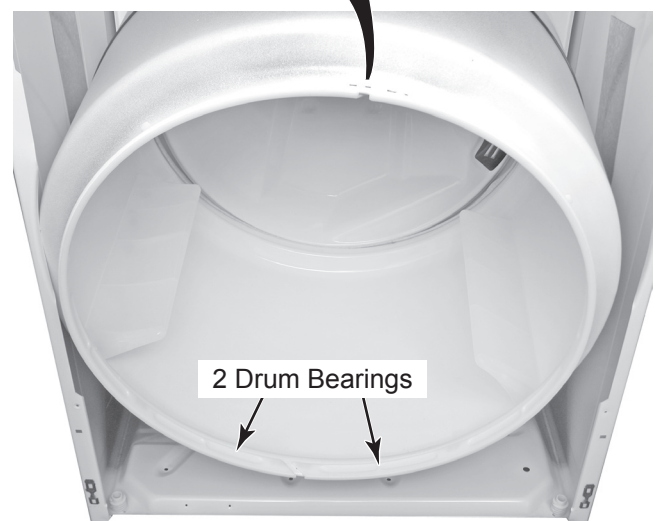
### Electrical Shock Hazard

Disconnect power before servicing.

Replace all parts and panels before operating.

Failure to do so can result in death or electrical shock.

1. Unplug dryer or disconnect power.
2. Turn off gas supply to dryer.
3. Remove the cabinet front from the dryer (see pages 4-5 and 4-6 for the procedure).
4. **To remove the two drum bearings (see the top right photos),** squeeze the locking tabs together with a pair of long-nose pliers, and push the tabs out of the drum holes.
5. **To remove the front panel bearing (see the bottom right photo),** lift the felt bearing out of the panel flange, and remove it. **NOTE:** When you reinstall a new bearing, position the center hole in the dark felt portion of the bearing at the top center of the front panel. Make sure that the bearing is seated within the panel flange.



# REMOVING THE BELT, DRUM, & REAR ROLLERS

## ⚠ WARNING

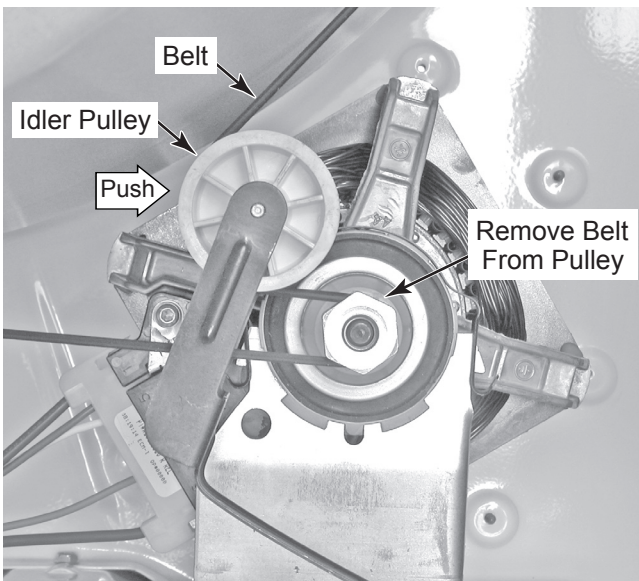


### Electrical Shock Hazard

Disconnect power before servicing.  
Replace all parts and panels before operating.

Failure to do so can result in death or electrical shock.

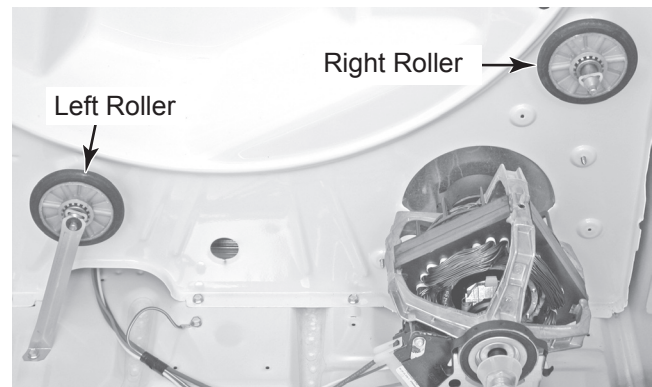
1. Unplug dryer or disconnect power.
2. Turn off gas supply to dryer.
3. Remove the cabinet front from the dryer (see pages 4-5 and 4-6 for the procedure).
4. **To remove the belt and drum:**
  - a) Reach under the drum to the drive motor and push the idler wheel arm to relieve the spring tension on the belt, then slide the belt off the motor pulley.
  - b) Remove the idler pulley assembly from the dryer.



- c) Lift the drum and remove it with the belt from the dryer.

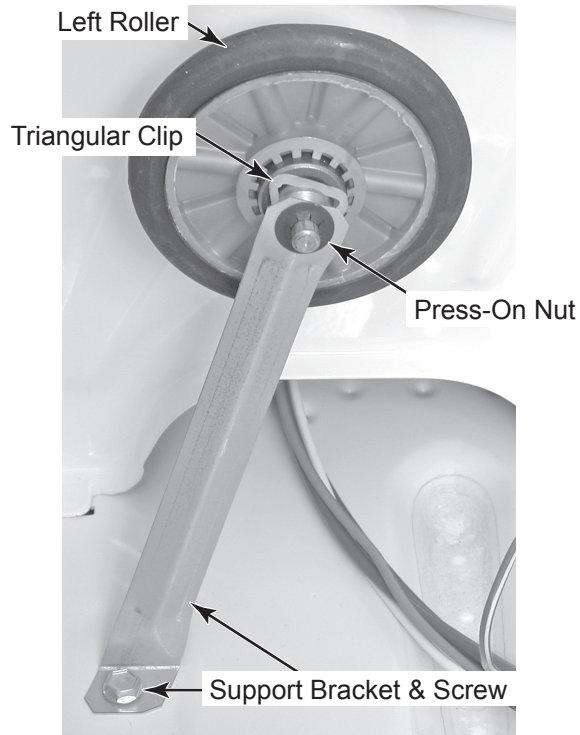


5. **To remove the rear rollers:**

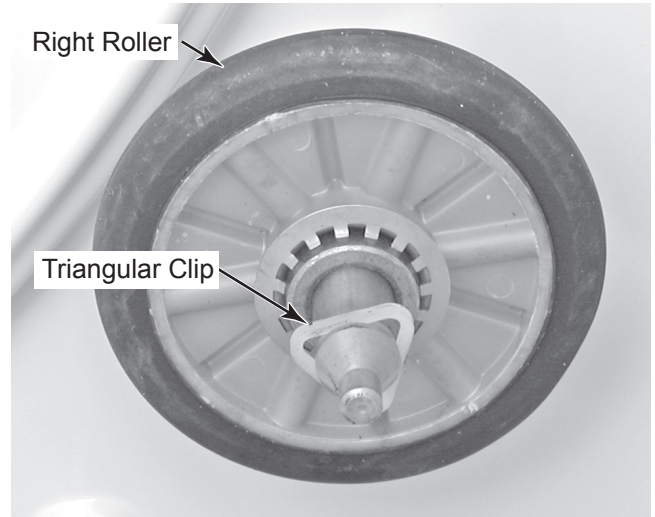




a) *Left Roller Only*: Remove the support bracket screw, and pull the support bracket and the round press-on nut off the end of the roller shaft.



b) Push the triangular clip off the grooved slot in the roller shaft, and pull the roller off the shaft.



## REMOVING THE DRIVE MOTOR

### **⚠ WARNING**



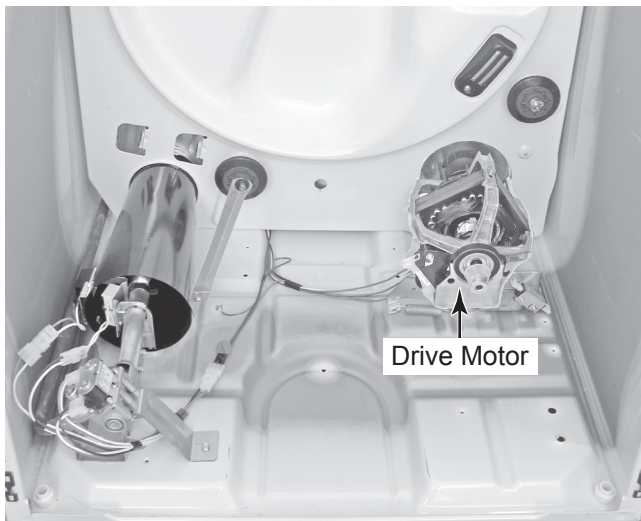
#### **Electrical Shock Hazard**

**Disconnect power before servicing.**

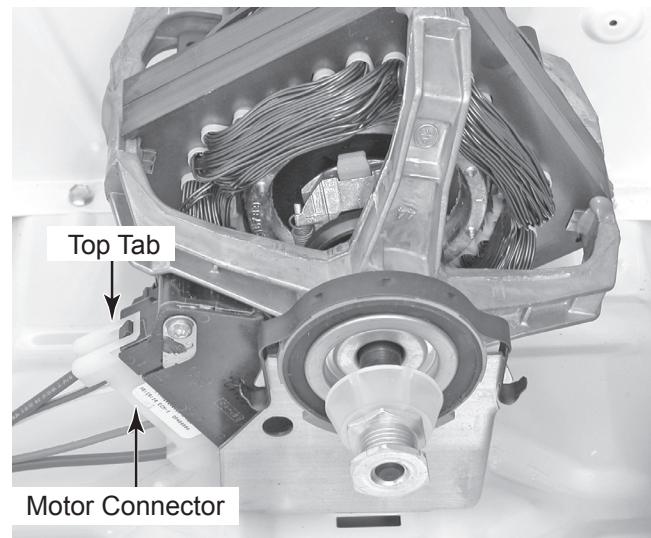
**Replace all parts and panels before operating.**

**Failure to do so can result in death or electrical shock.**

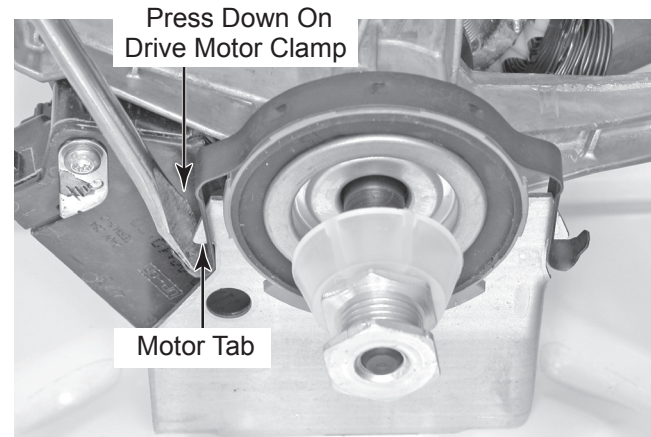
1. Unplug dryer or disconnect power.
2. Turn off gas supply to dryer.
3. Remove the cabinet front from the dryer (see pages 4-5 & 4-6 for the procedure).
4. Remove the belt and drum from the dryer (see page 4-8 for the procedure).



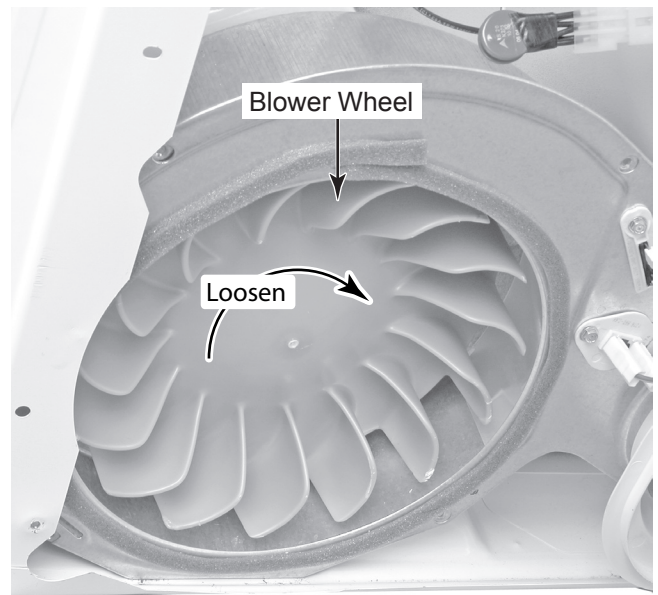
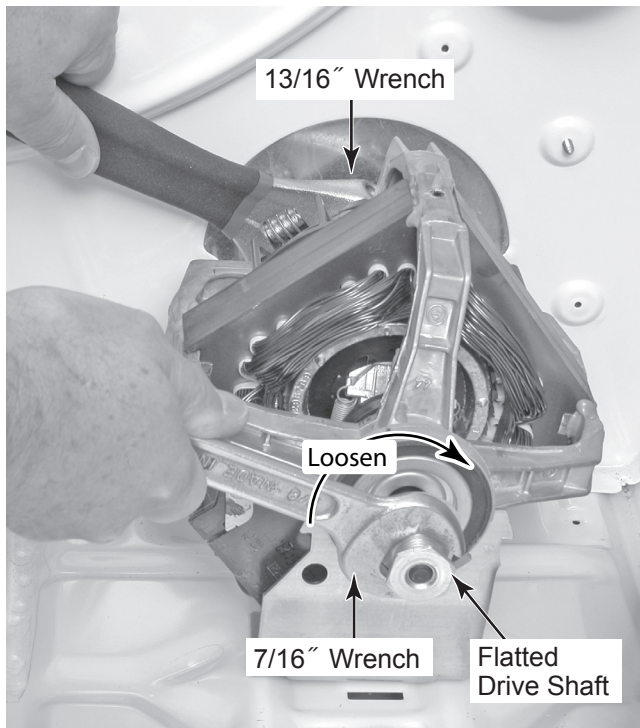
5. Lift the top tab, and disconnect the wire harness connector from the drive motor.



6. Remove the front and rear clamps from the drive motor and its mounting bracket. To remove a clamp, press down on one end, and unhook it from the motor tab.

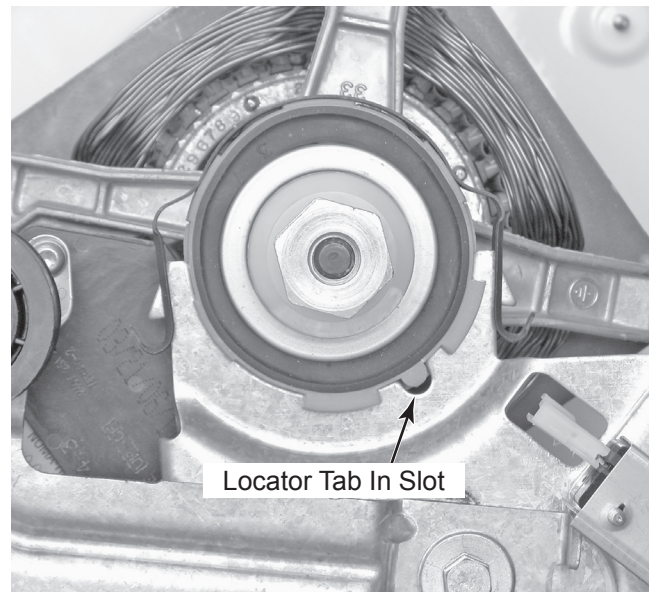


7. Place a 13/16" wrench on the back of the blower wheel, and a 7/16" wrench on the front of the drive motor shaft (flatted). Turn the drive motor shaft to the right (clockwise) and loosen the blower wheel (left-hand thread).



**REASSEMBLY NOTE :** When you reinstall the drive motor, make sure that the rounded locator tab is in the bracket slot, as shown below.

8. Remove the four screws from the air duct at the rear of the unit and pull the duct forward so that you can access the blower wheel (see page 4-18 for the procedure).
9. Spin the blower wheel clockwise and remove it from the drive motor shaft (see the top right photo).



# REMOVING THE THERMAL FUSE & EXHAUST THERMISTOR

## **⚠ WARNING**



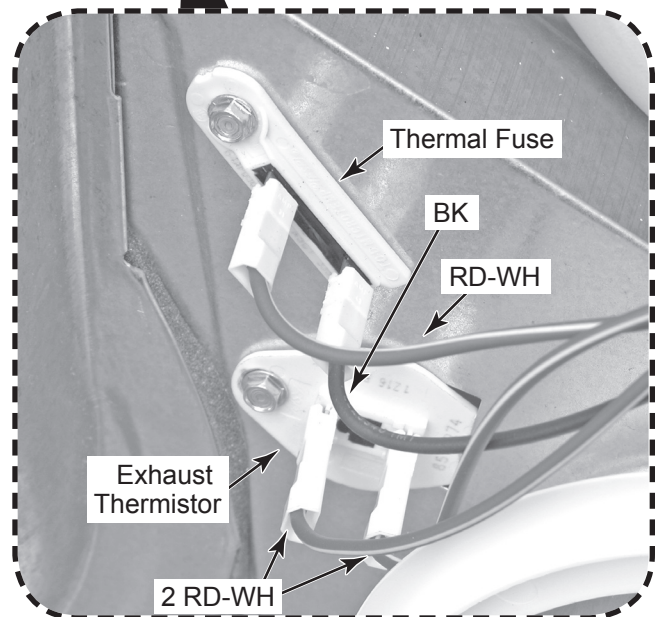
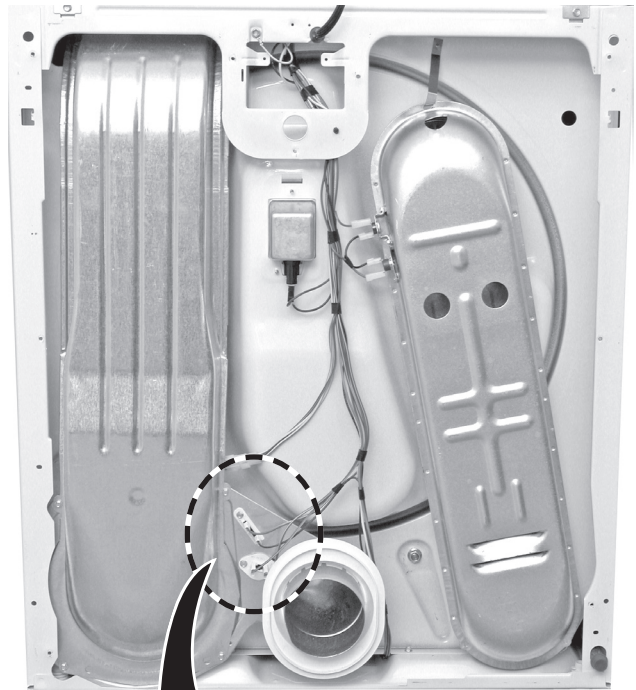
### **Electrical Shock Hazard**

**Disconnect power before servicing.**

**Replace all parts and panels before operating.**

**Failure to do so can result in death or electrical shock.**

1. Unplug dryer or disconnect power.
2. Turn off gas supply to dryer.
3. Remove the rear panel (see page 4-13 for the procedure).
4. Remove the two wires from the thermal fuse or exhaust thermistor terminals.
5. Remove the hex-head screw, unhook the other end of the thermal fuse or exhaust thermistor, and remove the component.



Viewed From Rear Of Dryer

# REMOVING THE HIGH-LIMIT THERMOSTAT AND THERMAL CUTOFF (TCO) (GAS MODELS ONLY)

## **⚠ WARNING**



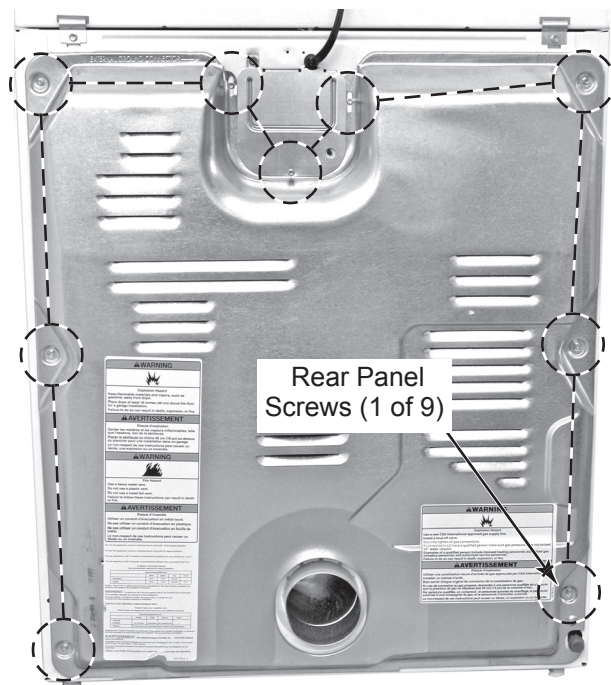
### **Electrical Shock Hazard**

**Disconnect power before servicing.**

**Replace all parts and panels before operating.**

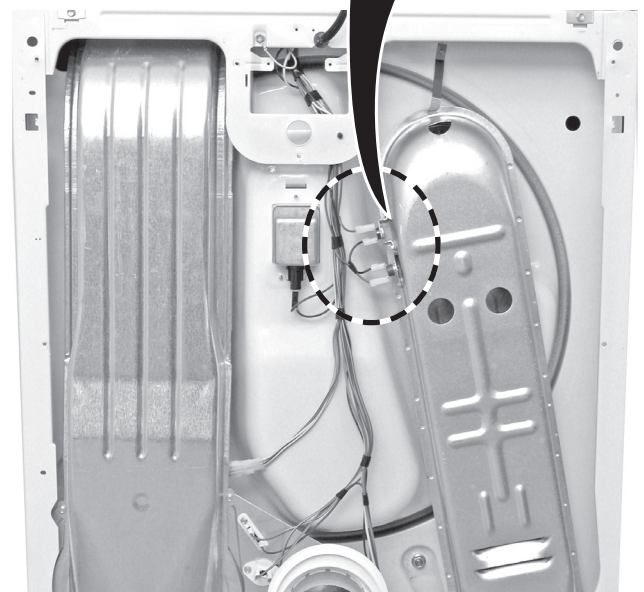
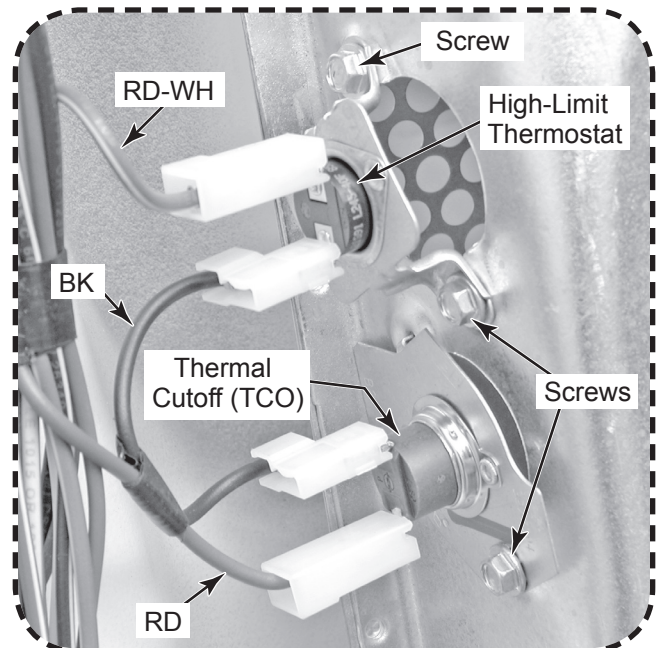
**Failure to do so can result in death or electrical shock.**

1. Unplug dryer or disconnect power.
2. Turn off gas supply to dryer.
3. Pull the dryer out from the wall so that you can access the rear panel.
4. Remove the nine hex-head screws from the rear panel and remove the panel.



5. **To remove the high-limit thermostat:**
  - a) Remove the two wires from the thermostat terminals (see right photos).

- b) Remove the two hex-head screws and remove the high-limit thermostat.
6. **To remove the thermal cutoff (TCO):**
    - a) Remove the two wires from the TCO terminals.
    - b) Remove the hex-head screw, unhook the end of the bracket, and remove the TCO.



Viewed From Rear Of Dryer

# REMOVING THE THERMAL CUTOFF (TCO), HEATER, AND INLET THERMISTOR / HIGH-LIMIT THERMOSTAT (ELECTRIC MODELS ONLY)

## **⚠ WARNING**



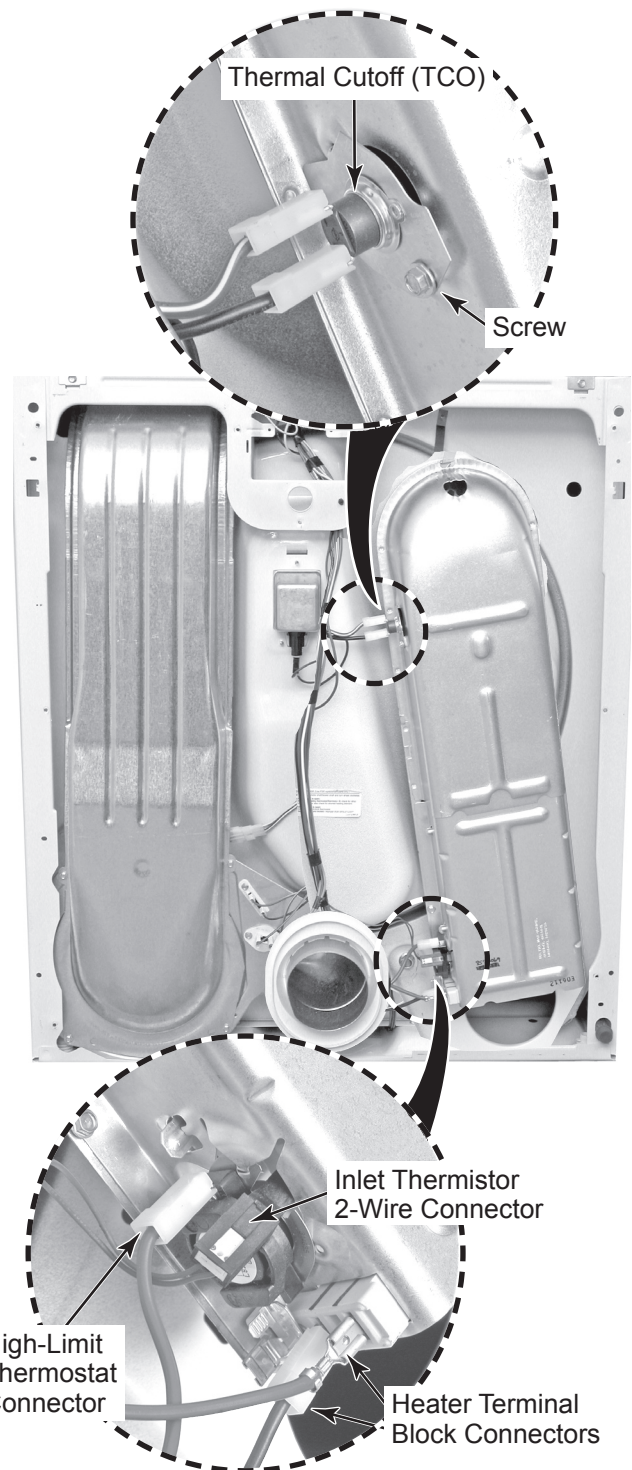
### **Electrical Shock Hazard**

**Disconnect power before servicing.**

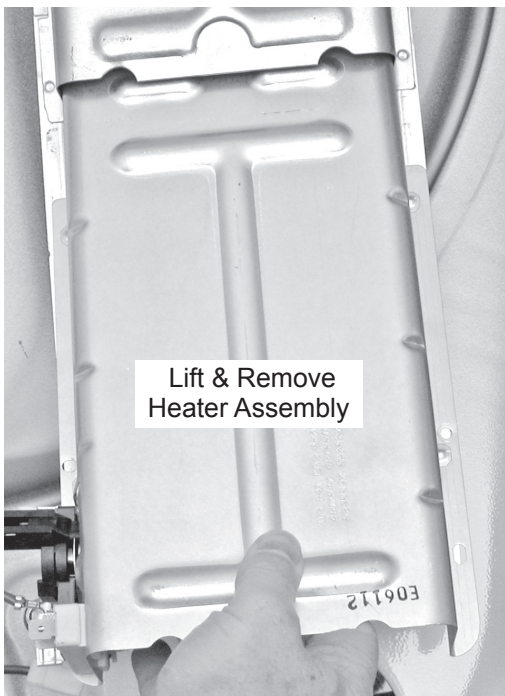
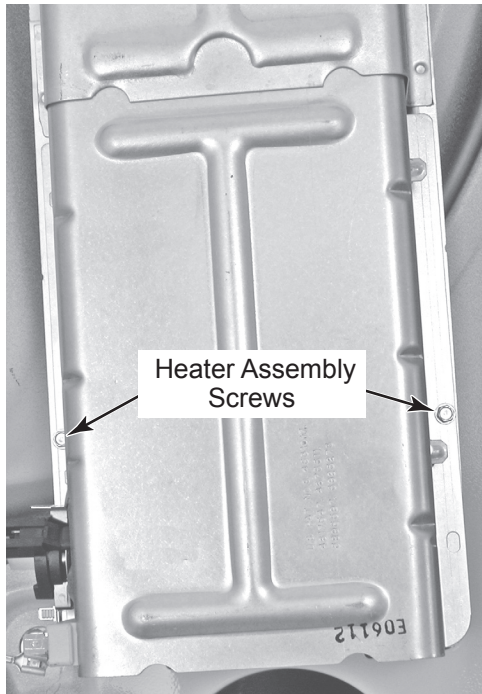
**Replace all parts and panels before operating.**

**Failure to do so can result in death or electrical shock.**

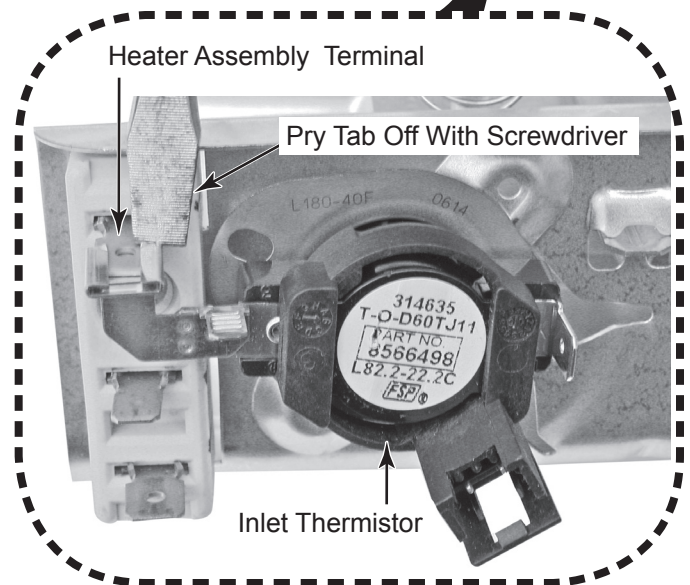
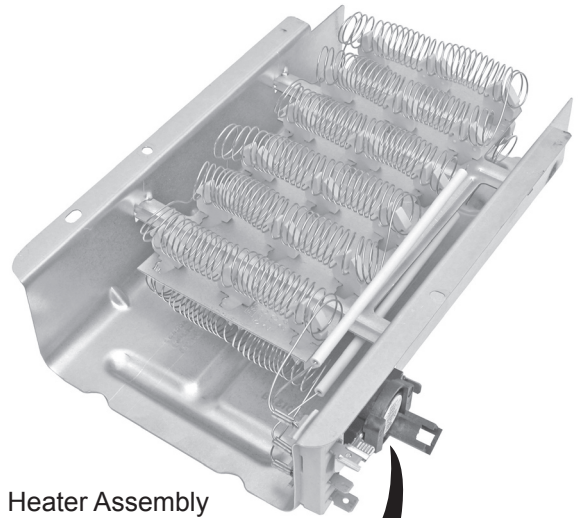
1. Unplug dryer or disconnect power.
2. Remove the rear panel (see page 4-13 for the procedure).
3. **To remove the thermal cutoff (TCO) (see the top round inset):**
  - a) Remove the two wires from the TCO terminals.
  - b) Remove the hex-head screw, unhook the end of the bracket, and remove the TCO.
4. **To remove the heater and inlet thermistor/high-limit thermostat (see the bottom round inset):**
  - a) Lift the locking tab and remove the 2-wire connector from the inlet thermistor.
  - b) Remove the wire connector from the high-limit thermostat terminal.
  - c) Remove the two wire connectors from the heater terminal block.



d) Remove the two hex-head screws from the heater assembly and remove the assembly.



e) Using a flat-blade screwdriver, pry the inlet thermistor terminal off the heater terminal, and remove the thermistor from the assembly.



## REMOVING THE FLAME SENSOR AND GAS BURNER ASSEMBLY (GAS MODELS ONLY)

### **⚠ WARNING**



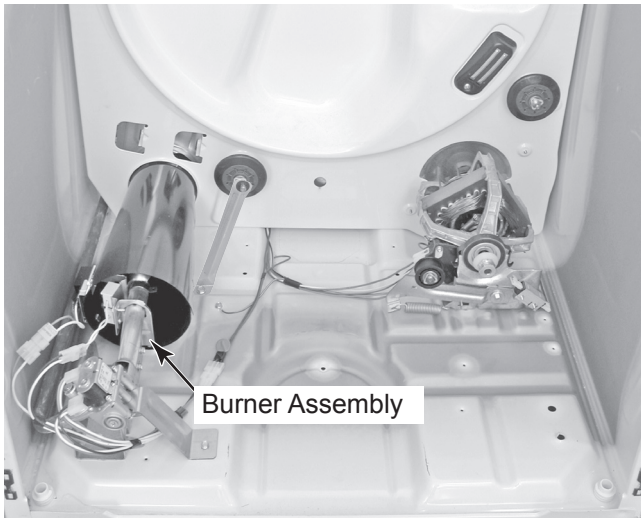
#### **Electrical Shock Hazard**

**Disconnect power before servicing.**

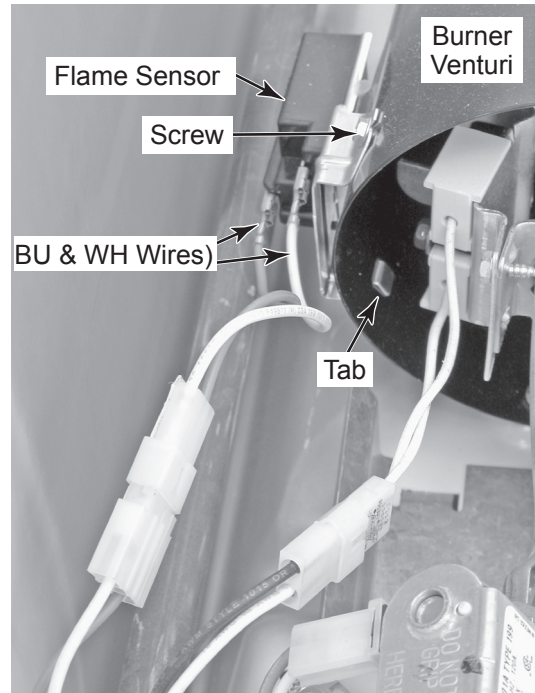
**Replace all parts and panels before operating.**

**Failure to do so can result in death or electrical shock.**

1. Unplug dryer or disconnect power.
2. Turn off gas supply to dryer.
3. Remove the cabinet front from the dryer (see pages 4-5 & 4-6 for the procedure).
4. Remove the belt and drum from the dryer (see page 4-8 for the procedure).

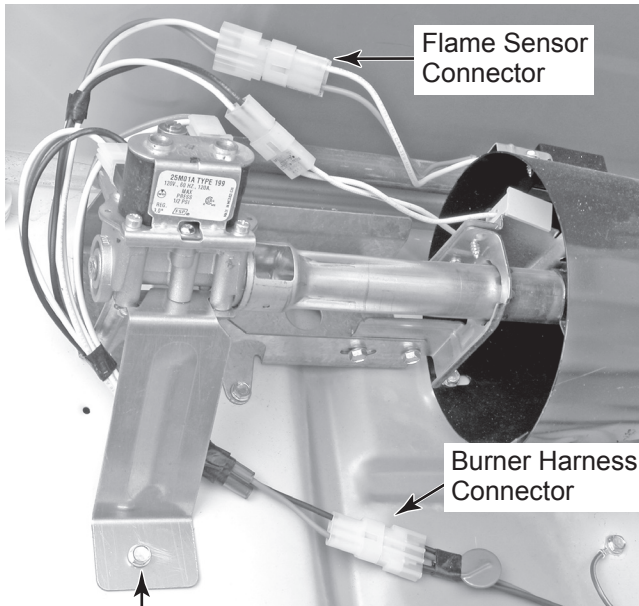


5. **To remove the flame sensor:**
  - a) Remove the two wires from the sensor terminals.
  - b) Remove the hex-head screw, then unhook the tab, and remove the flame sensor from the burner venturi.



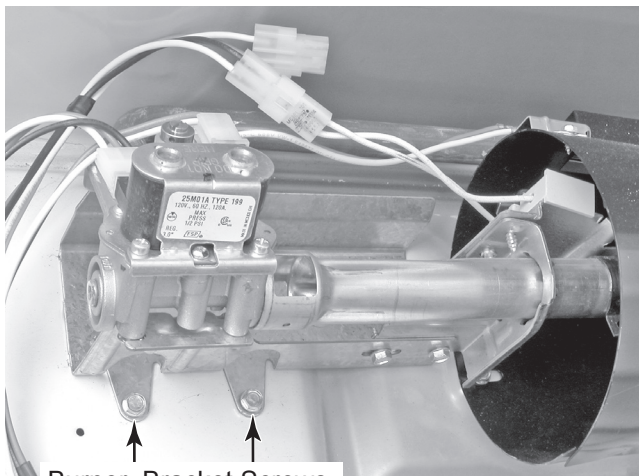
6. **To remove the burner assembly:**
  - a) Disconnect the gas line from the dryer.
  - b) Disconnect the following wire connectors from the burner assembly components (see the top left photo on page 4-17):
    - Connector from the flame sensor.
    - Burner harness connector from the main harness.
  - c) Remove the 5/16" hex-head screw from the burner support bracket and remove the bracket from the bottom of the assembly.



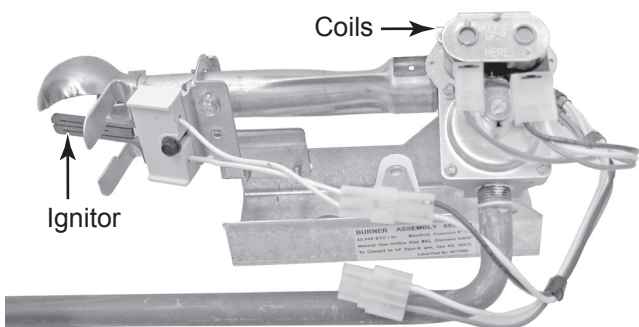


Support Bracket Screw

- d) Remove the two 5/16" hex-head screws from the burner bracket.
- e) Pull the burner assembly forward, unhook the bracket tabs from the chassis slots, and remove the assembly.



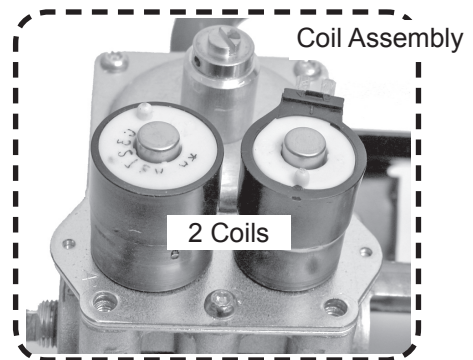
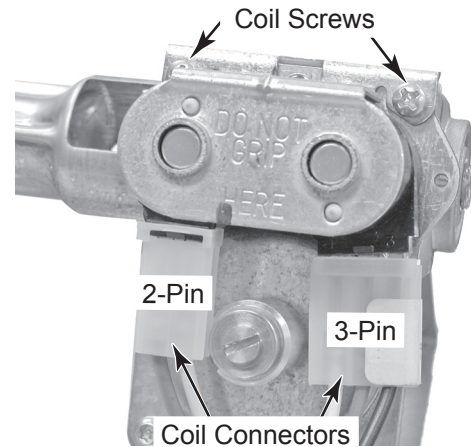
Burner Bracket Screws



Burner Assembly

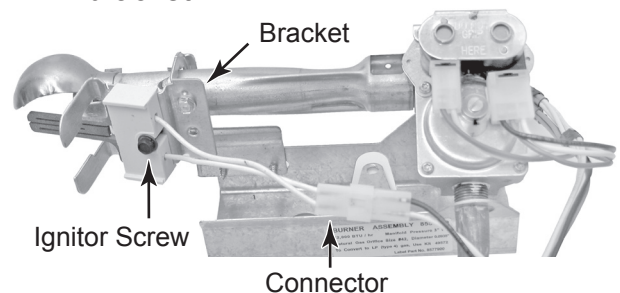
**7. To remove the coils from the burner assembly:**

- a) Remove the burner assembly (see step 6).
- b) Disconnect the 2-pin and 3-pin connectors from the coil terminals.
- c) Remove the two screws from the bracket, and lift the two coils off their cores.



**8. To remove the ignitor from the burner assembly:**

- a) Remove the burner assembly (see step 6).
- b) Disconnect the 2-wire connector from the ignitor harness.
- c) Loosen the 5/16" hex-head ignitor screw, and remove the ignitor from the bracket.



# REMOVING THE MOISTURE SENSOR AND METAL OXIDE VARISTORS (MOVs)

## ⚠ WARNING



### Electrical Shock Hazard

Disconnect power before servicing.

Replace all parts and panels before operating.

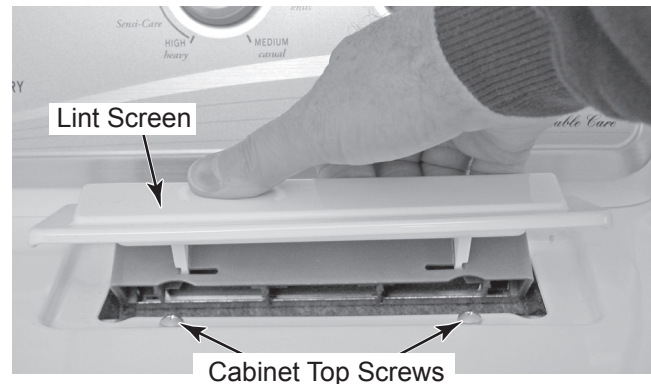
Failure to do so can result in death or electrical shock.

1. Unplug dryer or disconnect power.
2. Turn off gas supply to dryer.
3. Open the dryer door.
4. **To remove the moisture sensor:**
  - a) Remove the screw and unhook the sensor from the drum.
  - b) Disconnect the two wire connectors from the moisture sensor.

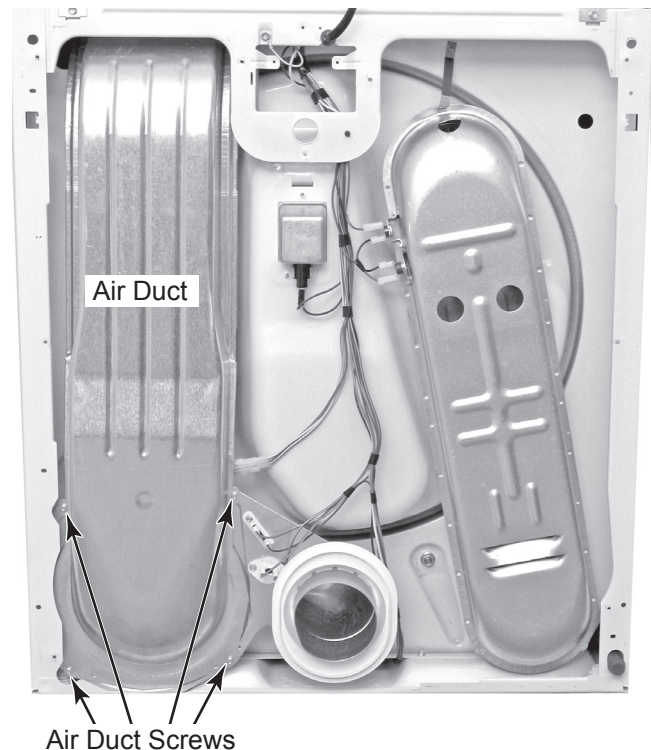


5. **To remove the metal oxide varistors (MOVs):**

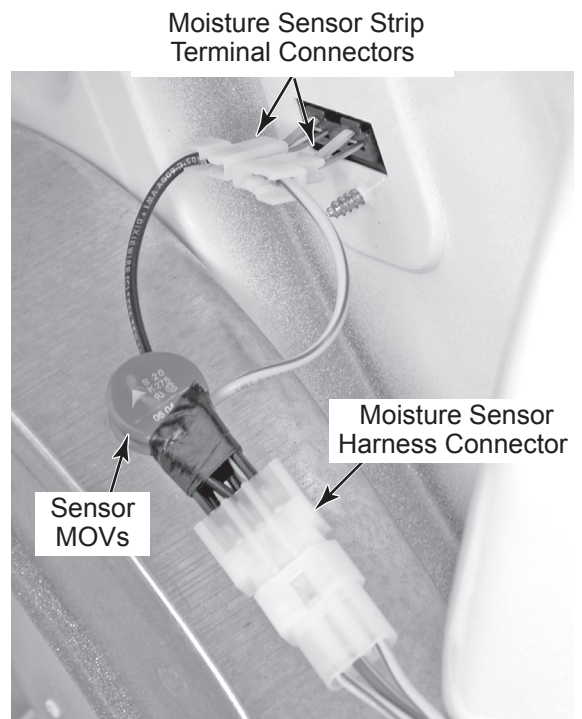
- a) Pull out and remove the lint screen.
- b) Remove the two cabinet top screws from the lint screen air duct.



- c) Remove the rear panel (see page 4-13 for the procedure).
- d) Remove the four screws from the air duct and pull the duct toward you just far enough to access the moisture sensor wiring harness.



- e) Disconnect the two wires from the terminals of the moisture sensor strips.
- f) Unlock and disconnect the moisture sensor harness connector with the Metal Oxide Varistors (MOVs) from the main harness.



## REMOVING THE DRUM LIGHT ASSEMBLY

### **⚠ WARNING**



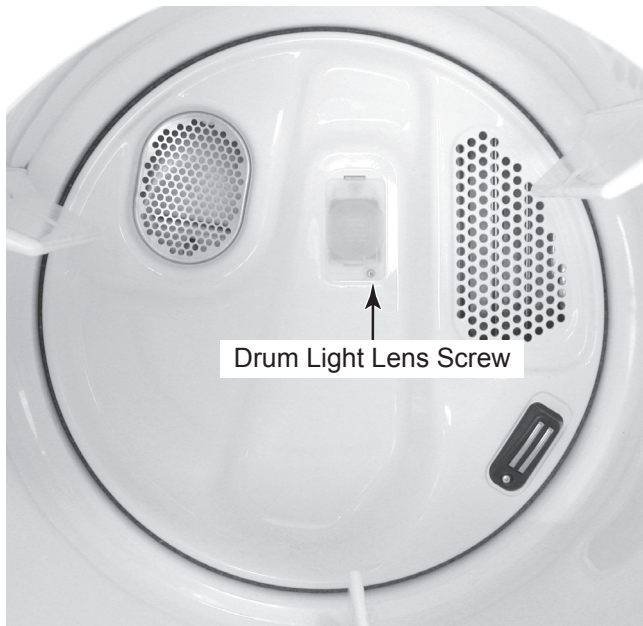
#### **Electrical Shock Hazard**

**Disconnect power before servicing.**

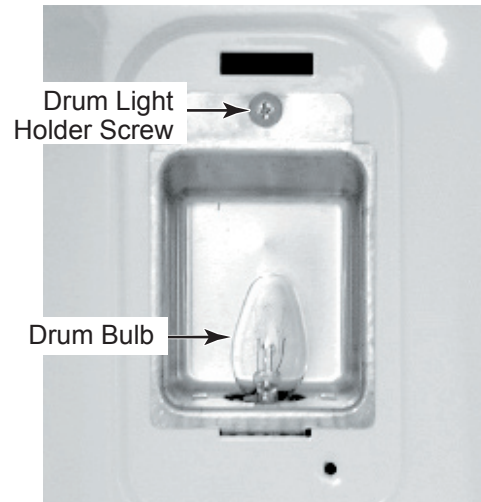
**Replace all parts and panels before operating.**

**Failure to do so can result in death or electrical shock.**

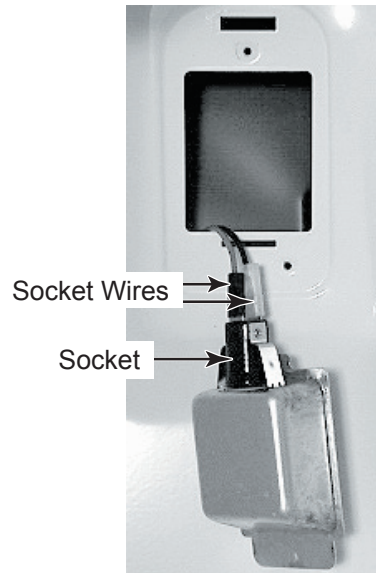
1. Unplug dryer or disconnect power.
2. Turn off gas supply to dryer.
3. Open the dryer door.
4. Remove the screw from the drum light lens and remove the lens.



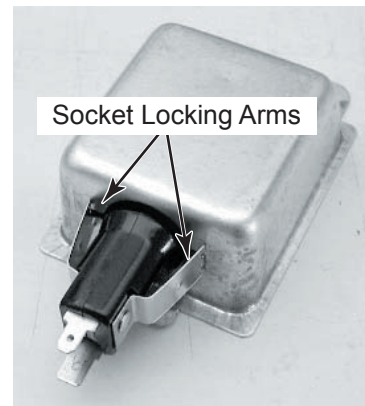
5. Remove the bulb from the drum light socket (see the top right photo).
6. Remove the screw from the drum light holder and pull it forward so you can access the wires.



7. Disconnect the wire connectors from the light socket terminals.




8. Squeeze the locking arms and remove the socket from the drum light holder.



# COMPONENT TESTING

Before testing any of the components, perform the following checks:

- The most common cause for control failure is corrosion on connectors. Therefore, disconnecting and reconnecting wires will be necessary throughout test procedures.
- All tests/checks should be made with a VOM or DVM having a sensitivity of 20,000 ohms-per-volt DC, or greater.
- Check all connections before replacing components, looking for broken or loose wires, failed terminals, or wires not pressed into connectors far enough.
- Resistance checks must be made with power cord unplugged from outlet, and with wiring harness or connectors disconnected.

	<b>⚠ WARNING</b>
	<b>Electrical Shock Hazard</b> <b>Disconnect power before servicing.</b> <b>Replace all parts and panels before operating.</b> <b>Failure to do so can result in death or electrical shock.</b>

## DOOR SWITCH



1. Unplug dryer or disconnect power.
2. Turn off gas supply to dryer.
3. Set the ohmmeter to the R x 1 scale.
4. Touch the ohmmeter test leads to door switch plug pins 1 and 3. The meter should indicate a closed circuit (0  $\Omega$ ) with the door closed, and an open circuit (infinite) with the door open.

Refer to page 4-5 for the procedure for accessing the door switch.



## ! WARNING

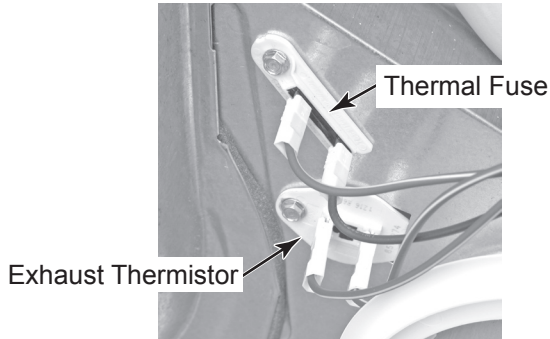
### Electrical Shock Hazard

Disconnect power before servicing.

Replace all parts and panels before operating.

Failure to do so can result in death or electrical shock.

### THERMAL FUSE & EXHAUST THERMISTOR

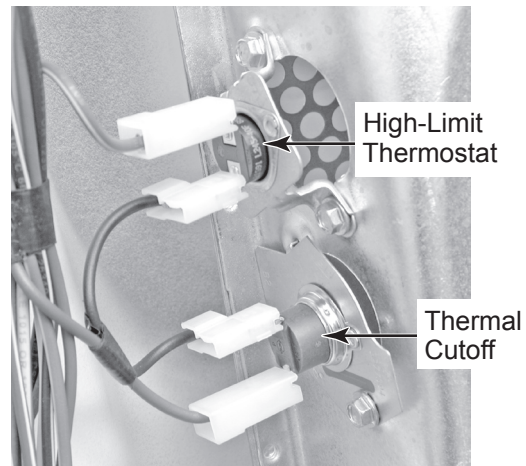


Refer to page 4-12 for the procedure for accessing the thermal fuse & exhaust thermistor.

1. Unplug dryer or disconnect power.
2. Turn off gas supply to dryer.
3. Disconnect the wires or connector from the component under test.
4. Set the ohmmeter to the R x 1 scale.
5. Touch the ohmmeter test leads to the thermal fuse terminals. The meter should indicate a closed circuit (0  $\Omega$ ). **NOTE:** The thermal fuse opens at 196°F (91°C).
6. Set the ohmmeter to the R x 100K scale.
7. Touch the ohmmeter test leads to the exhaust thermistor terminals. The meter should indicate as shown in the following chart.

EXHAUST THERMISTOR RESISTANCE			
TEMP. °F (°C)	RES. k $\Omega$	TEMP. °F (°C)	RES. k $\Omega$
50° (10°)	19.0 – 22.0	80° (27°)	8.5 – 10.5
60° (16°)	14.8 – 16.8	90° (32°)	6.8 – 8.8
70° (21°)	11.5 – 13.5	100° (38°)	5.0 – 7.0

### HIGH-LIMIT THERMOSTAT & THERMAL CUTOFF (TCO) (GAS MODELS ONLY)



Refer to page 4-13 for the procedure for accessing the high-limit thermostat and thermal cutoff (TCO).

1. Unplug dryer or disconnect power.
2. Turn off gas supply to dryer.
3. Disconnect the wire connectors from the high-limit thermostat or thermal cutoff terminals.
4. Set the ohmmeter to the R x 1 scale.
5. Touch the ohmmeter test leads to the high-limit thermostat or the thermal cutoff (TCO) terminals. The meter should indicate a closed circuit (0  $\Omega$ ) for both components.



## ! WARNING

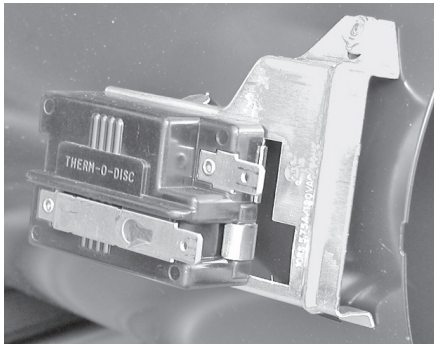
### Electrical Shock Hazard

Disconnect power before servicing.

Replace all parts and panels before operating.

Failure to do so can result in death or electrical shock.

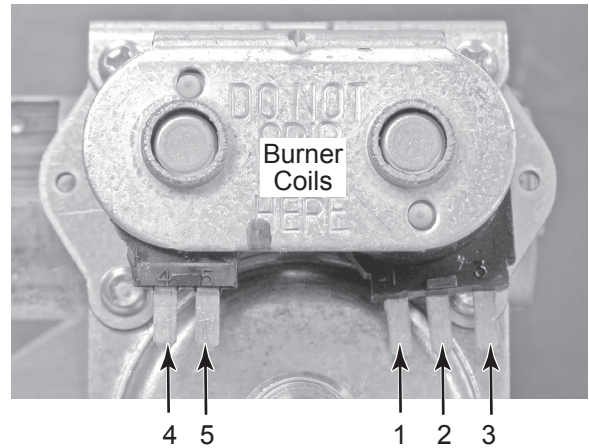
## FLAME SENSOR



Refer to page 4-16 for the procedure for accessing the flame sensor.

1. Unplug dryer or disconnect power.
2. Turn off gas supply to dryer.
3. Disconnect the wire connectors from the flame sensor terminals.
4. Set the ohmmeter to the R x 1 scale.
5. Touch the ohmmeter test leads to the flame sensor terminals. The meter should indicate a closed circuit (0  $\Omega$ ).

## GAS BURNER COILS



Refer to page 4-16 for the procedure for accessing the gas burner assembly.

1. Unplug dryer or disconnect power.
2. Turn off gas supply to dryer.
3. Disconnect the wire connectors from the coil terminals.
4. Set the ohmmeter to the R x 100 scale.
5. Touch the ohmmeter test leads to pins 4 and 5 of the 2-terminal coil. The meter should indicate between 1000 and 1300  $\Omega$ .
6. Touch the ohmmeter test leads to the 3-terminal coil. The meter should indicate as follows:

Pins 1 & 2 = 1300 to 1400  $\Omega$

Pins 1 & 3 = 500 to 600  $\Omega$



## ! WARNING

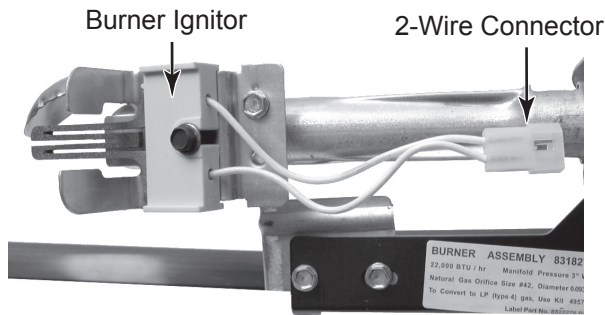
### Electrical Shock Hazard

Disconnect power before servicing.

Replace all parts and panels before operating.

Failure to do so can result in death or electrical shock.

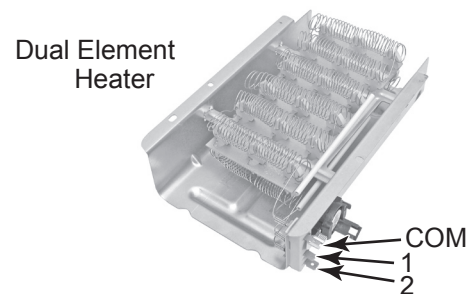
### BURNER IGNITOR



Refer to page 4-16 for the procedure for accessing the gas burner assembly.

1. Unplug dryer or disconnect power.
2. Turn off gas supply to dryer.
3. Disconnect the ignitor wire connector from the main harness connector.
4. Set the ohmmeter to the R x 1 scale.
5. Touch the ohmmeter test leads to the 2-wire connector pins. The meter should indicate between 50 and 500  $\Omega$ .

### ELECTRIC HEATER (DUAL ELEMENT)



Refer to page 4-14 for the procedure for accessing the electric heater.

1. Unplug dryer or disconnect power.
2. Disconnect the wires from the heater terminal block.
3. Set the ohmmeter to the R x 1 scale.
4. Touch the ohmmeter test leads to the indicated heater terminals. The meter should indicate as follows:

COM & terminal 1 = 15 - 25  $\Omega$

COM & terminal 2 = 15 - 25  $\Omega$

Terminals 1 & 2 = 30 - 50  $\Omega$



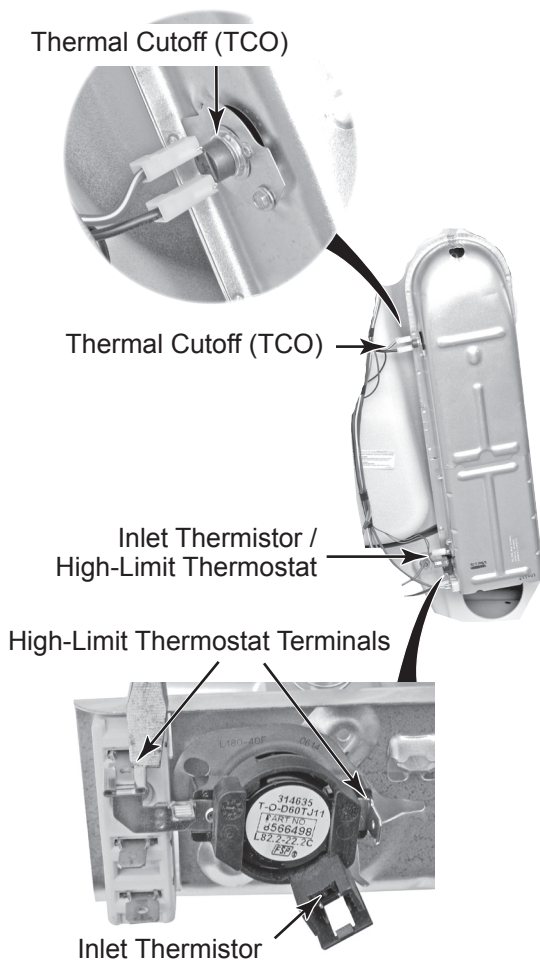


# ! WARNING

## Electrical Shock Hazard

Disconnect power before servicing.  
 Replace all parts and panels before operating.  
 Failure to do so can result in death or electrical shock.

### THERMAL CUTOFF (TCO) AND INLET THERMISTOR/ HIGH-LIMIT THERMOSTAT (ELECTRIC MODELS ONLY)



Refer to page 4-14 for the procedure for accessing the thermal cutoff (TCO) and inlet thermistor/high-limit thermostat.

1. Unplug dryer or disconnect power.
2. Disconnect the wires from the component you are testing.
3. Set the ohmmeter to the R x 1 scale.
4. *Thermal Cutoff and High-Limit Thermostat:* Touch the ohmmeter test lead to the component terminals. The meter should indicate continuity (0  $\Omega$ ).
5. Set the ohmmeter to the R x 100K scale.
6. *Inlet Thermistor:* Use the following chart to check the thermistor:

INLET THERMISTOR RESISTANCE			
TEMP. °F (°C)	RES. RANGE k $\Omega$	TEMP. °F (°C)	RES. RANGE k $\Omega$
68°(20°)	61.2–63.7	131°(55°)	14.6–15.3
77°(25°)	49.0–51.0	140°(60°)	12.1–12.8
86°(30°)	39.5–41.1	149°(65°)	10.2–10.7
95°(35°)	32.0–33.3	158°(70°)	8.5–9.0
104°(40°)	26.1–27.2	167°(75°)	7.2–7.6
113°(45°)	21.4–22.3	176°(80°)	6.1–6.5
122°(50°)	17.6–18.5		

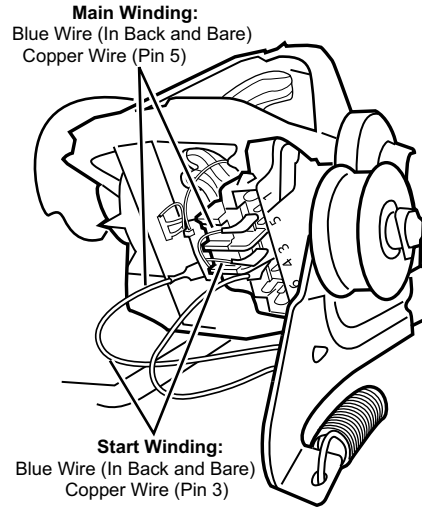
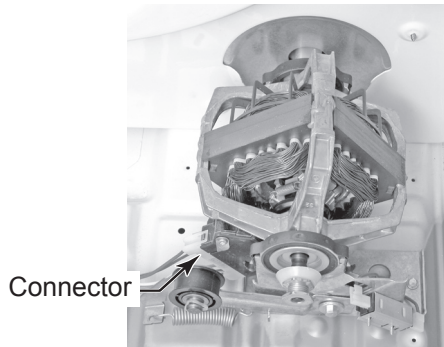


# ⚠ WARNING

## Electrical Shock Hazard

**Disconnect power before servicing.**  
**Replace all parts and panels before operating.**  
**Failure to do so can result in death or electrical shock.**

## DRIVE MOTOR



Refer to page 4-10 for the procedure for accessing the drive motor.

1. Unplug dryer or disconnect power.
2. Turn off gas supply to dryer.
3. Disconnect the wire connector from the motor terminals.
4. Set the ohmmeter to the R x 1 scale.
5. Measure the drive motor main and start windings, as shown in the chart.

WINDING	RESISTANCE Ω	CONTACT POINTS OF MEASUREMENT
MAIN	1.4 – 2.6	Blue wire in back at pin 4 and bare copper wire on pin 5 of black drive motor switch
START	1.4 – 2.8	Blue wire in back at pin 4 and bare copper wire on pin 3 of black drive motor switch

# DIAGNOSTICS & TROUBLESHOOTING

## DIAGNOSTICS



### **! WARNING**

#### Electrical Shock Hazard

- Disconnect power before servicing.**
- Replace all parts and panels before operating.**
- Failure to do so can result in death or electrical shock.**

### DIAGNOSTIC GUIDE

Before servicing, check the following:

- Make sure there is power at the wall outlet.
- Has a household fuse blown or circuit breaker tripped? Time delay fuse?
- Is dryer vent properly installed and clear of lint or obstructions?
- All tests/checks should be made with a VOM (volt-ohm-milliammeter) or DVM (digital-voltmeter) having a sensitivity of 20,000  $\Omega$  per volt DC or greater.
- Check all connections before replacing components. Look for broken or loose wires, failed terminals, or wires not pressed into connectors far enough.
- A potential cause of a control not functioning is corrosion on connections. Observe connections and check for continuity with an ohmmeter.
- Connectors: Look at top of connector. Check for broken or loose wires. Check for wires not pressed into connector far enough to engage metal barbs.
- Resistance checks must be made with dryer unplugged or power disconnected.

### LESS DRY TEST

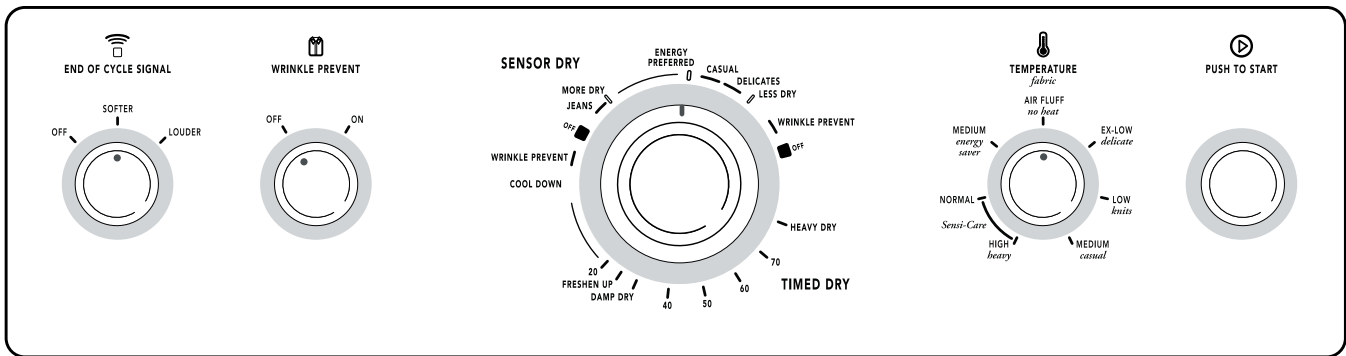
Begin with a fully assembled, empty dryer with clean lint screen. Be sure dryer is connected to a known good power source.

1. Set the following configuration:
  - Door - must be closed
  - Timer - Less Dry
  - Temperature switch - High
  - End of Cycle Signal switch - Louder
2. Press the Push to Start (PTS) switch. After approximately 16 seconds, the Timer will start to advance to the Off position. If this function does not occur, proceed to the Diagnostic Test.

### DIAGNOSTIC TEST

This diagnostic test allows factory/service personnel to test and verify all inputs to the electronic control. The basic operation of this test is to notify the operator with an audible beep every time the status of an input to the control changes state.

This test is performed with a fully assembled dryer, connected to a known good power source.



## Activating The Test Mode

1. Set the following configuration:
  - Door - must be open
  - Temperature switch - Air Fluff
  - End of Cycle Signal switch - Louder
  - Timer - Timed Drying or Sensor Drying selection
2. Turn the Wrinkle Prevent switch from Off to On three times within a five second period. A single beep, a pause, then a single beep will sound to indicate that the test mode is activated.

**NOTE:** If any of these initial conditions are not satisfied, the control will not enter the test mode.

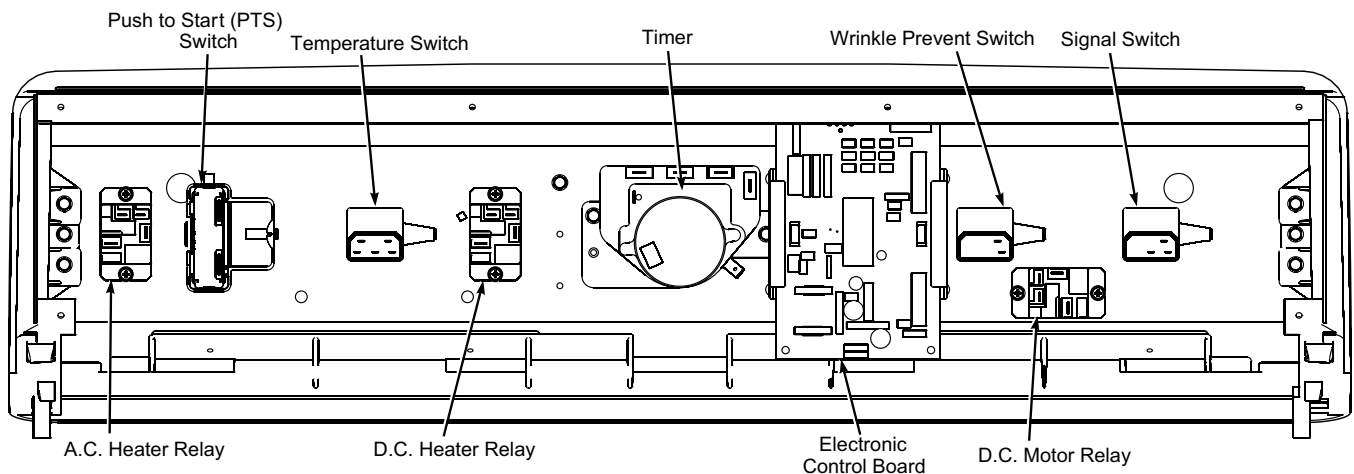
## Test Mode Functionality

When the control is in test mode, every input change of state will result in an audible beep (with the exception of the End of Cycle Signal switch). This includes:

- Door switch
- Moisture Sensor (short/open Sensor will result in a beep)
  - NOTE:** A moistened finger or damp cloth may also be used.
- Temperature switch
- Wrinkle Prevent switch
- Push to Start (PTS) switch (with the door switch closed)
- Timer (any cam input change will result in a beep)

**NOTE:** Timer will advance during test.

If any of the inputs do not result in a beep, proceed to the corresponding component tests.

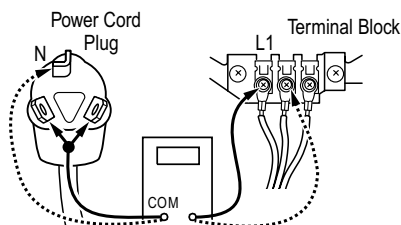


## COMPONENT TESTS

### Supply Connections Test—Electric

This test assumes that proper voltage is present at the outlet, and visual inspection indicates that the power cord is securely fastened to the terminal block.

1. Unplug dryer or disconnect power.
2. Remove the cover plate from the back of the dryer.
3. With an ohmmeter, check for continuity between the neutral (N) terminal of the plug and the center contact on the terminal block. See illustration below.



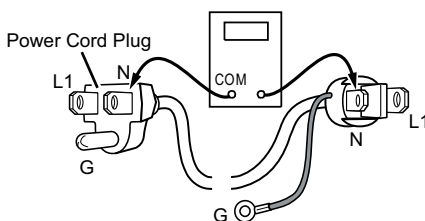
Plug-to-terminal connections for electric dryer.

- If there is no continuity, replace the power cord and test the dryer.
  - If there is continuity, go to step 4.
4. In a similar way, check which terminal of the plug is connected to the left-most contact on the terminal block and make a note of it. This will be L1 (black wire) in the wiring diagram. See illustration above.

- When this is found, go to step 5.
  - If neither of the plug terminals have continuity with the left-most contact of the terminal block, replace the power cord and test the dryer.
5. Access the electronic control without disconnecting any wiring to it.
  6. With an ohmmeter, check for continuity between the L1 terminal of the plug (found in step 4) and BK (black wire) terminal on the timer.
    - If there is continuity, go to step 7.
    - If there is no continuity, check that wires to the terminal block are mechanically secure. If so, replace or repair the main wire harness and test the dryer.
  7. Check for continuity between the neutral (N) terminal of the plug and P2-1 (white wire) on the electronic control.
    - If there is continuity, go to the Timer Test.
    - If there is no continuity and the mechanical connections of the wire are secure, replace or repair the main wire harness.

## Supply Connections Test—Gas

1. Unplug dryer or disconnect power.
2. Remove the cover plate from the back of the dryer and check that the power cord is firmly connected to the dryer's wire harness.
3. Access the electronic control without disconnecting any wiring to the control board.
4. With an ohmmeter, check for continuity between the neutral (N) terminal of the plug and P1-2 (white wire) on the electronic control board. The left side of the illustration below shows the position of the neutral terminal (N) on the power cord plug.
  - If there is continuity, go to step 5.
  - If there is no continuity, disconnect the white wire of the harness from the power cord. Test the continuity of the power cord neutral wire. If an open circuit is found, replace the power cord. Otherwise, replace the main wire harness.
5. With an ohmmeter, check the continuity between the L1 terminal of the plug and BK (black wire) on the timer.
  - If there is continuity, go to the Timer Test.
  - If there is no continuity, disconnect the black wire of the harness from the power cord. Test the continuity of the power cord L1 wire as illustrated in step 4. If an open circuit is found, replace the power cord. Otherwise, replace the main harness.



Power cord terminals, gas dryer.

## Timer Test

Perform the diagnostic test on pages 6-1 & 6-2 to determine that the timer motor advances (should run continuously). If the timer does not advance or fails the diagnostic test:

1. Unplug dryer or disconnect power.
2. Remove the wires from timer terminals.
3. Check the timer motor resistance and timer switching. The resistance (BU to PT-1) should be 3 k $\Omega$  ( $\pm 2$ ). Use the timer encoding table below for switching conductivity, and refer to timer illustration on page 7-2 or 7-5.

Reference contact continuity to timer - BK.

Timer Encoding Table

TIMED DRYING MODE					
Timer Contacts	Timed Drying	Cool Down	Wrinkle Prevent	Off	
W to BK	O	O	O	O	
R to BK	X	X	O	O	
V to BK	O	X	X	O	
BU to BK	X	X	X	O	
SENSOR DRYING MODE					
Timer Contacts	Jeans	Energy Preferred	Less Dry	Wrinkle Prevent	Off
W to BK	X	X	O	O	O
R to BK	O	O	O	O	O
V to BK	X	O	O	X	O
BU to BK	X	X	X	X	O
O = OPEN X = CLOSED					

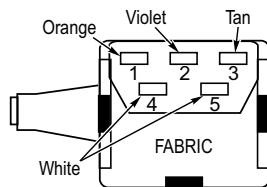
## Motor Test

1. Unplug dryer or disconnect power.
2. Open the dryer door.
3. Measure resistance between the motor relay common (COM) terminal and the P2-6 terminal on the electronic control. 1 to 6  $\Omega$  should be measured.
  - If resistance measurements are outside 1 to 6  $\Omega$ , perform the Thermal Fuse Test, page 6-6, and Door Switch Test, page 6-5; and check harness continuity. If they test good, replace the motor.
4. Measure resistance between the motor relay common (COM) terminal and ground. A high resistance (open) should be measured.
  - If it does not, perform the Thermal Fuse Test and Door Switch Test and check harness continuity. If they test good, replace the motor.

## Door Switch Test

1. Unplug dryer or disconnect power.
2. Check door switch continuity. Neutral to P2-6 on the electronic control should read closed with the door closed, and open with the door open.
3. Otherwise, verify harness continuity.
  - If no continuity, repair or replace the harness.
  - If harness is good, replace the door switch.

## Temperature Switch Test

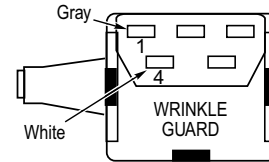


1. Unplug dryer or disconnect power.
2. Remove the wires from the switch to complete this test.
3. Reference contact continuity with Pins 1 and 2 to Pin 4 (White).
4. Reference contact continuity with Pin 3 to Pin 5.

**Temperature Switch Table**

SWITCH POSITION	CONTACTS			FUNCTION
	3-5	2-4	1-4	
12 o'clock	O	O	O	Air Fluff, No Heat
2 o'clock	O	O	X	Ex-Low
4 o'clock	O	X	O	Low
5 o'clock	O	X	X	Medium, Casual
7 o'clock	X	O	O	High
8 o'clock	X	O	X	Normal
10 o'clock	X	X	O	Medium, Energy Saver
O = OPEN    X = CLOSED				

## Wrinkle Prevent Switch (On/Off) Test

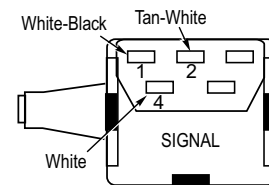


1. Unplug dryer or disconnect power.
2. Remove the wires from the switch to complete this test.
3. Reference contact continuity with Pin 1 to Pin 4 (White).

**Wrinkle Prevent Switch Table**

SWITCH POSITION	CONTACTS	FUNCTION
11 o'clock	Open	Wrinkle Prevent Off
1 o'clock	Closed	Wrinkle Prevent On

## End of Cycle Signal Switch Test



1. Unplug dryer or disconnect power.
2. Remove the wires from the switch to complete this test.
3. Reference contact continuity with Pins 1 and 2 to Pin 4 (White).

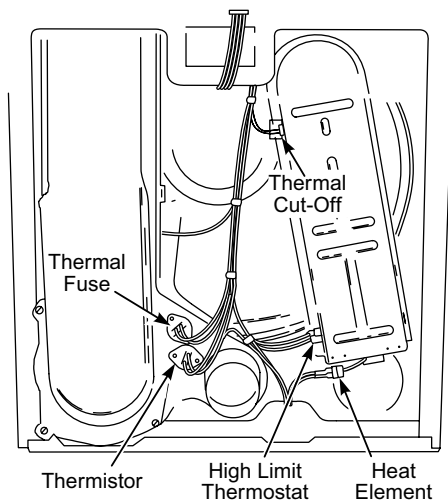
**End of Cycle Signal Switch Table**

SWITCH POSITION	CONTACTS		FUNCTION
	1-4	2-4	
10 o'clock	O	O	Off
12 o'clock	X	O	Softer End of Cycle Signal
2 o'clock	O	X	Louder End of Cycle Signal
O = OPEN    X = CLOSED			

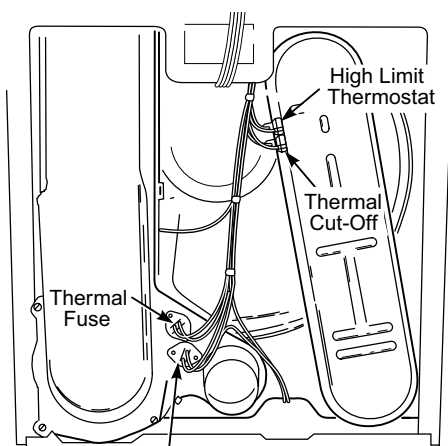
## High Limit Thermostat Test

1. Unplug dryer or disconnect power.
2. Remove the high limit thermostat and check continuity. Refer to the Thermal Components illustrations on page 6-6.

- If open, replace the high limit thermostat.
- If closed, apply heat. It should open at about 250°F (121°C). Otherwise, replace the high limit thermostat.



Thermal Components—Electric



Thermal Components—Gas

### Thermal Cut-Off Test

This unit is equipped with a “one-shot” thermal cut-off. See Thermal Components illustrations. If the dryer does not heat with power supplied:

1. Unplug dryer or disconnect power.
2. Check the thermal cut-off for continuity.
  - If open, thermal cut-off has failed and must be replaced.

**NOTE:** If the thermal cut-off has failed, replace the thermal cut-off and high limit thermostat. In addition, check for failed heat system, or blocked or improper exhaust system.

### Thermal Fuse Test—Electric

A thermal fuse is used on this model. The thermal fuse is wired in series with the dryer drive motor. If the thermal fuse opens, power is shut off to the motor.

1. Unplug dryer or disconnect power.
2. Check continuity of thermal fuse.
3. Once the thermal fuse has opened, it must be replaced. Check for failed thermistor, shorted heat element, or other causes of failure. Replace failed parts. See Thermal Components illustration.

### Thermal Fuse Test—Gas

A thermal fuse is used on this model. The thermal fuse is wired in series with the dryer gas valve. If the thermal fuse opens, power is shut off to the motor. (Centrifugal switch in gas valve also opens heater circuit.)

1. Unplug dryer or disconnect power.
2. Check continuity of thermal fuse.
3. Once the thermal fuse has opened, it must be replaced. Check for failed thermistor or other causes of failure. Replace failed parts. See Thermal Components illustration.



## Thermistor Test Or Dryer Beeps 3 Times When Push To Start (PTS) Pressed

An electronic temperature sensor called a thermistor is used in this model in place of an operating thermostat. The electronic control monitors the exhaust temperature using the thermistor, and cycles the heater relay on and off to maintain the desired temperature.

### Procedure

Begin with a fully assembled, empty dryer and a clean lint screen.

1. Set the following configuration:
  - Door - must be closed
  - Timer dial - Timed Drying
  - Temperature switch - High
  - Wrinkle Prevent switch - Off
  - End of Cycle Signal switch - Louder
2. Press the Push to Start switch.
  - If you hear three short beeps and the dryer shuts off after several seconds, the thermistor or wire harness is either shorted or open.
  - Unplug dryer or disconnect power.
  - Check wire connections at the electronic control and thermistor.
  - If wiring is functional, replace the thermistor. Refer to Thermal Components illustrations, page 6-6.
  - If the dryer appears to operate correctly, proceed to step 3.
3. Remove exhaust vent and start the dryer.
  - Turn Temperature switch to desired temperature to be tested, and select 20 minutes of Timed Drying. Hold a glass bulb thermometer capable of reading from 90°F to 180°F (32°C to 82°C) in the center of the exhaust outlet. Measure exhaust temperatures with heater off and on.

The correct exhaust temperatures are as follows:

EXHAUST TEMPERATURES		
TEMPERATURE SWITCH SETTING	HEAT TURNS OFF* °F (°C)	HEAT TURNS ON °F (°C)
High	155° ± 10° (68° ± 6°)	10°–15° (6°–8°) below the heat turn off temperature
Normal	145° ± 10°	
Medium, Casual	(63° ± 6°)	
Medium, Energy Saver	135° ± 10° (57° ± 6°)	
Low	125° ± 10° (52° ± 6°)	
Ex-Low	115° ± 10° (46° ± 6°)	

\* The measured overshoot using the glass bulb thermometer in the exhaust outlet can be 30°F (17°C) higher.

- If the exhaust temperature is not within specified limits:
  - Unplug dryer or disconnect power.
  - Disconnect wires from thermistor, then check the resistance of the thermistor. The following table gives temperatures and ranges for their associated resistance values:

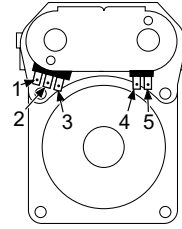
THERMISTOR RESISTANCE			
TEMP. °F (°C)	RES. kΩ	TEMP. °F (°C)	RES. kΩ
50° (10°)	19.0–22.0	80° (27°)	8.5–10.5
60° (16°)	14.8–16.8	90° (32°)	6.8–8.8
70° (21°)	11.5–13.5	100° (38°)	5.0–7.0

- If the thermistor resistance does not agree with table, replace the thermistor.
- If the thermistor resistance checks agree with the measurements in the table, replace the electronic control assembly.

## Gas Valve Test

1. Unplug dryer or disconnect power.
2. Remove harness plugs.
3. Use an ohmmeter to determine if a gas valve coil has failed. Measure resistance across terminals. See the illustration.
  - Readings should match those shown in the table.
  - If not, replace coil.

**IMPORTANT:** Be sure all harness wires are looped back through the strain relief after checking or replacing coils.



Terminals	Resistance $\Omega$
1 to 2	1365 $\pm$ 25
1 to 3	560 $\pm$ 25
4 to 5	1220 $\pm$ 50

# TROUBLESHOOTING

## TROUBLESHOOTING GUIDE

PROBLEM	POSSIBLE CAUSE / TEST
<b>DRYER WILL NOT RUN.</b>	Refer to Motor Strip Circuit, page 7-3 or 7-6. – SUPPLY CONNECTIONS – HARNESS/CONNECTION – MOTOR RELAY – PUSH TO START (PTS) SWITCH – THERMAL FUSE – MOTOR – DOOR SWITCH – ELECTRONIC CONTROL For more details, see Troubleshooting section, page 6-10.
<b>DRYER WILL NOT HEAT.</b>	Refer to Heater Strip Circuit, page 7-3 or 7-6. – SUPPLY CONNECTIONS – HARNESS/CONNECTION – HEATER RELAY – THERMAL CUT-OFF – THERMAL FUSE – HIGH LIMIT THERMOSTAT – HEATER OR GAS VALVE – CENTRIFUGAL SWITCH – THERMISTOR – ELECTRONIC CONTROL For more details, see Troubleshooting section, page 6-10.
<b>DRYER HEATS DURING AIR FLUFF (NO HEAT) CYCLE.</b>	Refer to Heater Strip Circuit, page 7-3 or 7-6. – HARNESS/CONNECTION – HEATER RELAY – TEMPERATURE SWITCH – ELECTRONIC CONTROL For more details, see Troubleshooting section, page 6-11.
<b>DRYER WON'T SHUT OFF.</b>	Refer to Motor and Moisture Sensor Strip Circuits, page 7-3 or 7-6. – PUSH TO START (PTS) SWITCH – HARNESS/CONNECTION – MOTOR RELAY – MOISTURE SENSOR – ELECTRONIC CONTROL For more details, see Troubleshooting section, page 6-11.
<b>DRYER SHUTS OFF BEFORE CLOTHES ARE DRY.</b>	Refer to Thermistor Test, page 6-7; and Moisture Sensor Strip Circuit, page 7-3 or 7-6. – HARNESS/CONNECTION – MOISTURE SENSOR – THERMISTOR – ELECTRONIC CONTROL – MAY NEED TO CHANGE TIMER SETTING TO A MORE DRY SETTING For more details, see Troubleshooting section, page 6-11.
<b>TIMER CONTINUOUSLY ADVANCES.</b>	Refer to Timer Drawing, page 7-2 or 7-5; and Motor Strip Circuit, page 7-3 or 7-6. – HARNESS/CONNECTION – TIMER For more details, see Troubleshooting section, page 6-12.
<b>WRINKLE PREVENT DOES NOT RUN.</b>	Refer to Wrinkle Prevent Switch (On/Off) Test, page 6-5.

## TROUBLESHOOTING

### PROBLEM: Dryer Will Not Run

Refer to Motor Strip Circuit, page 7-3 or 7-6; and Troubleshooting Guide, page 6-9.

1. Unplug dryer or disconnect power.
2. Check connector pins in P2 connector of the electronic control to verify they are making good connections.
3. Check the Push to Start (PTS) switch continuity when pressed. It should show continuity while pushed in. If not, replace the PTS switch.
4. Perform Thermal Fuse Test, page 6-6.
5. Perform Door Switch Test, page 6-5.
6. If the motor started but did not continue to run, and components checked in steps 2 through 5 were OK, replace the electronic control assembly.
7. If motor did not start and components checked in steps 2 through 5 were OK, replace the motor.

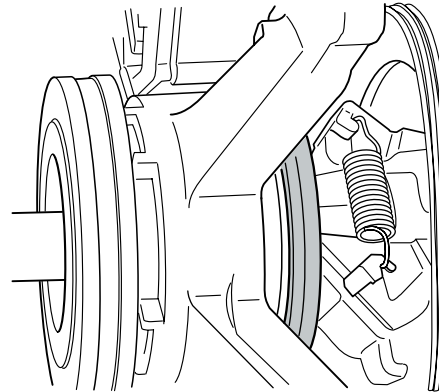
### PROBLEM: Dryer Will Not Heat Electric Only

Refer to Heater Strip Circuit, page 7-3; and Troubleshooting Guide, page 6-9.

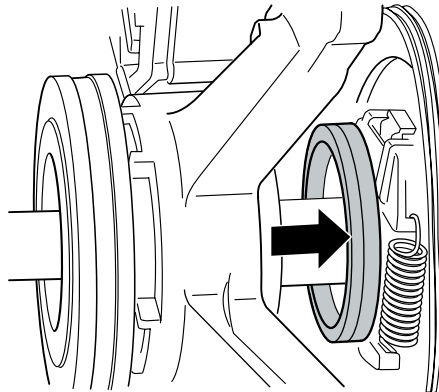
1. Perform Supply Connections Test, page 6-3.
2. Perform Thermal Cut-Off Test, page 6-6.
3. Perform High Limit Thermostat Test, pages 6-5 & 6-6.
4. Unplug dryer or disconnect power.
5. Check continuity of heater:
  - Each element should be about 20  $\Omega$  and should be open to ground, chassis, and neutral.
  - If either element fails these tests in step 5, replace the heat element assembly.

6. Check continuity of motor centrifugal switch:

- 1M to 2M terminals should be open the off condition. Manually operating the switch should close 1M to 2M. This can be done by pushing the actuator from the off condition to the run position. See the illustrations below.
- If these conditions are not true, replace the motor.



*Actuator in off condition.*



*Actuator in run position.*

### PROBLEM: Dryer Will Not Heat Gas Only

Refer to Heater Strip Circuit, page 7-6; and Troubleshooting Guide, 6-9.

1. Perform Supply Connections Test, page 6-4.
2. Perform Thermal Cut-Off Test, page 6-6.
3. Perform High Limit Thermostat Test, pages 6-5 & 6-6.
4. Perform Thermal Fuse Test, page 6-6.
5. Perform Gas Valve Test, page 6-8.

## **PROBLEM: Dryer Heats During Air Fluff (No Heat) Cycle**

Refer to Heater Strip Circuit, page 7-3 or 7-6; and Troubleshooting Guide, page 6-9.

1. Perform Temperature Switch Test, page 6-5.
2. Unplug dryer or disconnect power.
3. Check continuity of heater relay contacts. COM to NO should be open. If not, replace the heater relay.
4. With dryer fully assembled, plug in dryer or reconnect power.
5. Set to Air Fluff. If the dryer still heats:
  - Unplug dryer or disconnect power.
  - Replace the electronic control assembly.

## **PROBLEM: Dryer Won't Shut Off**

Refer to Motor and Moisture Sensor Strip Circuits, page 7-3 or 7-6; and Troubleshooting Guide, page 6-9.

1. With the dryer fully assembled, set the timer to Off. If the dryer starts running as soon as it is plugged in:
  - Unplug dryer or disconnect power.
  - Replace the timer.
2. Set the following configuration:
  - Dryer - power cord plugged in
  - Door - must be closed
  - Temperature switch - High
  - Timer - Timed Drying for less than 10 minutes
3. If the dryer starts running before the Push to Start (PTS) switch is pressed:
  - Unplug dryer or disconnect power.
  - Replace the PTS switch.
  - If, after replacing the PTS switch, the dryer still starts before the PTS switch is pressed:
    - Unplug dryer or disconnect power.
    - Replace the motor relay.

4. If the dryer does not stop after the set time elapses:
  - Unplug dryer or disconnect power.
  - Check the motor relay. Continuity of relay should be open from COM to NO.
5. If the dryer will not terminate its cycle when set to Sensor Drying:
  - Unplug dryer or disconnect power.
  - Check the moisture sensor.
  - If there is continuity to Ground for Yellow-Red (Y-R) wire with no load, look for a short in the sensor or Y-R wire. Verify harness connections both at the sensor and the electronic control.
  - If the sensor and Y-R wire are good, replace the electronic control assembly.

## **PROBLEM: Dryer Shuts Off Before Clothes Are Dry**

Refer to Moisture Sensor Strip Circuit, page 7-3 or 7-6; Thermistor Test, page 6-7; and Troubleshooting Guide, page 6-9.

1. Test the moisture sensor by following the procedure outlined in the Diagnostic Test, pages 6-1 & 6-2. If the moisture sensor fails the Diagnostic Test (does not produce a beep sound):
  - Unplug dryer or disconnect power.
  - Check the moisture sensor.
  - If there is continuity to Ground for Yellow-Red (Y-R) wire with no load, look for a short in the Sensor or Y-R wire. Verify harness connections both at the sensor and the electronic control.
  - If the sensor and Y-R wire are good, replace the electronic control assembly.
2. If Diagnostic Test is passed, verify thermistor by performing test procedures outlined in Thermistor Test, page 6-7.
3. If problem persists after replacing moisture sensor and thermistor:
  - Unplug dryer or disconnect power.
  - Replace the electronic control assembly.

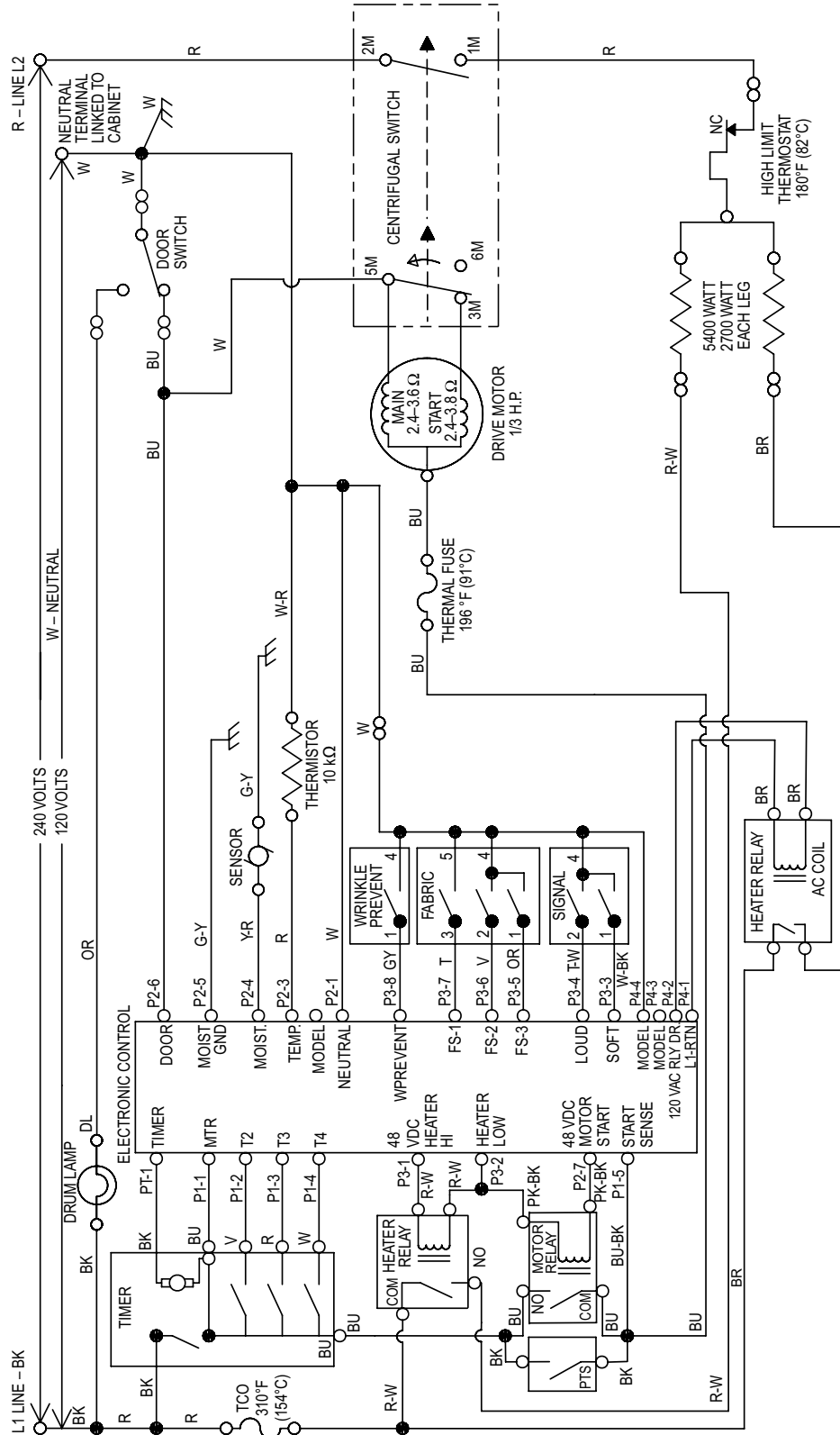
**PROBLEM: Timer Continuously Advances**

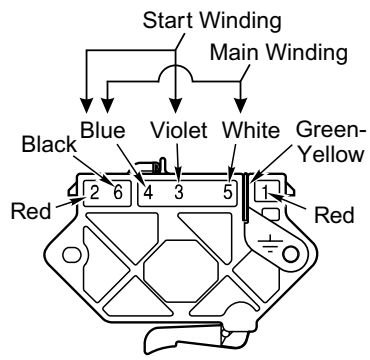
Refer to Timer Drawing, page 7-2 or 7-5; Motor Strip Circuit, page 7-3 or 7-6; and Troubleshooting Guide, page 6-9.

1. Unplug dryer or disconnect power.
2. Verify the Blue wire and the Black L1 wires are in the correct positions. See timer illustration on page 7-2 or 7-5.
3. Test the timer by following the procedure outlined in the Diagnostic Test, pages 6-1 & 6-2.
4. If the timer continues to advance past Off, replace the timer.

# WIRING DIAGRAMS & STRIP CIRCUITS

## Electric Dryers WIRING DIAGRAM





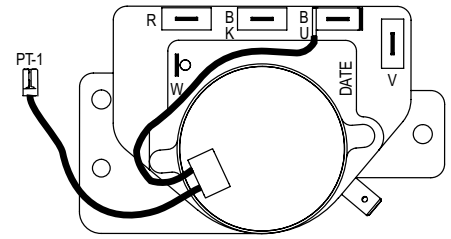
**Pluggable Drive Motor Switch**

Function	Contacts					
	1M	2M	3M	5M	6M	
Start			●	●		
Run	●	●			●	●

● = Contacts closed

**Centrifugal Switch (Motor)**

Timer	BU	BK	R	V	W
Wire Colors	Blue	Black	Red	Violet	White

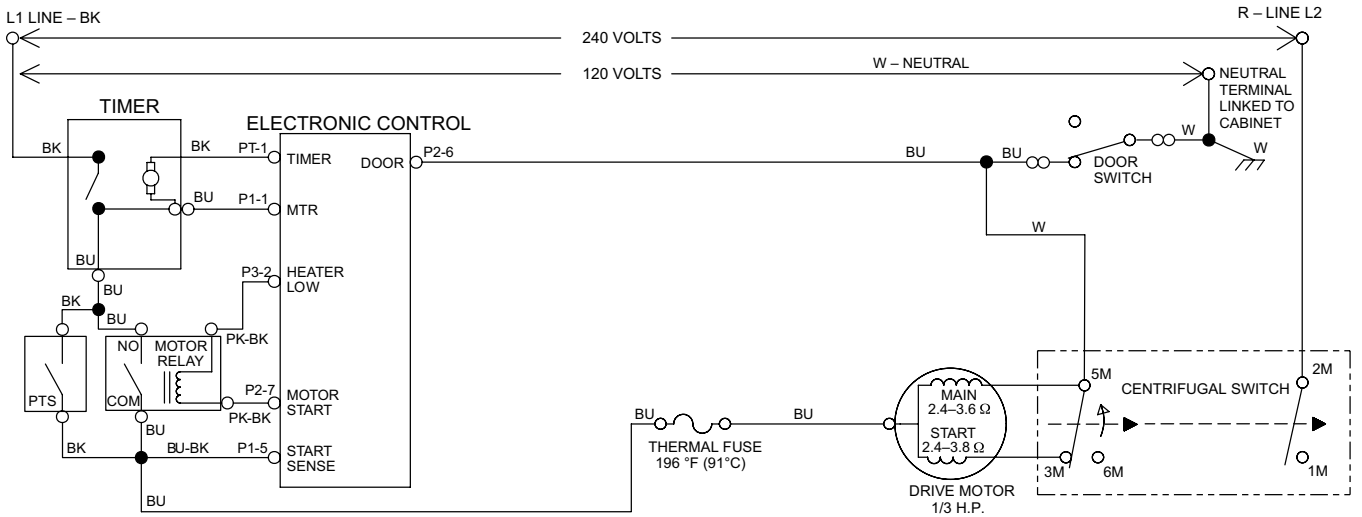


**Timer**

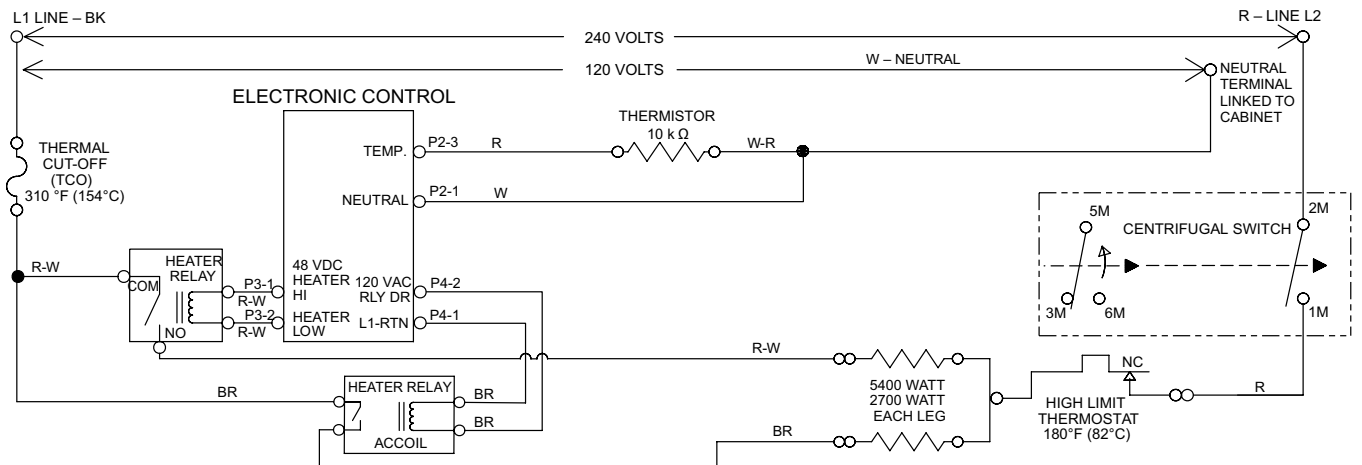


# STRIP CIRCUITS

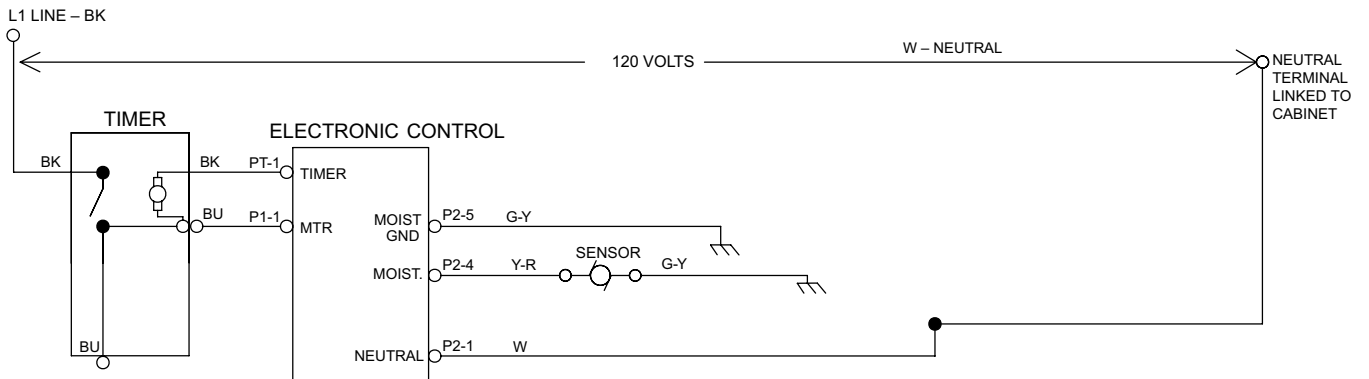
## MOTOR



## HEATER

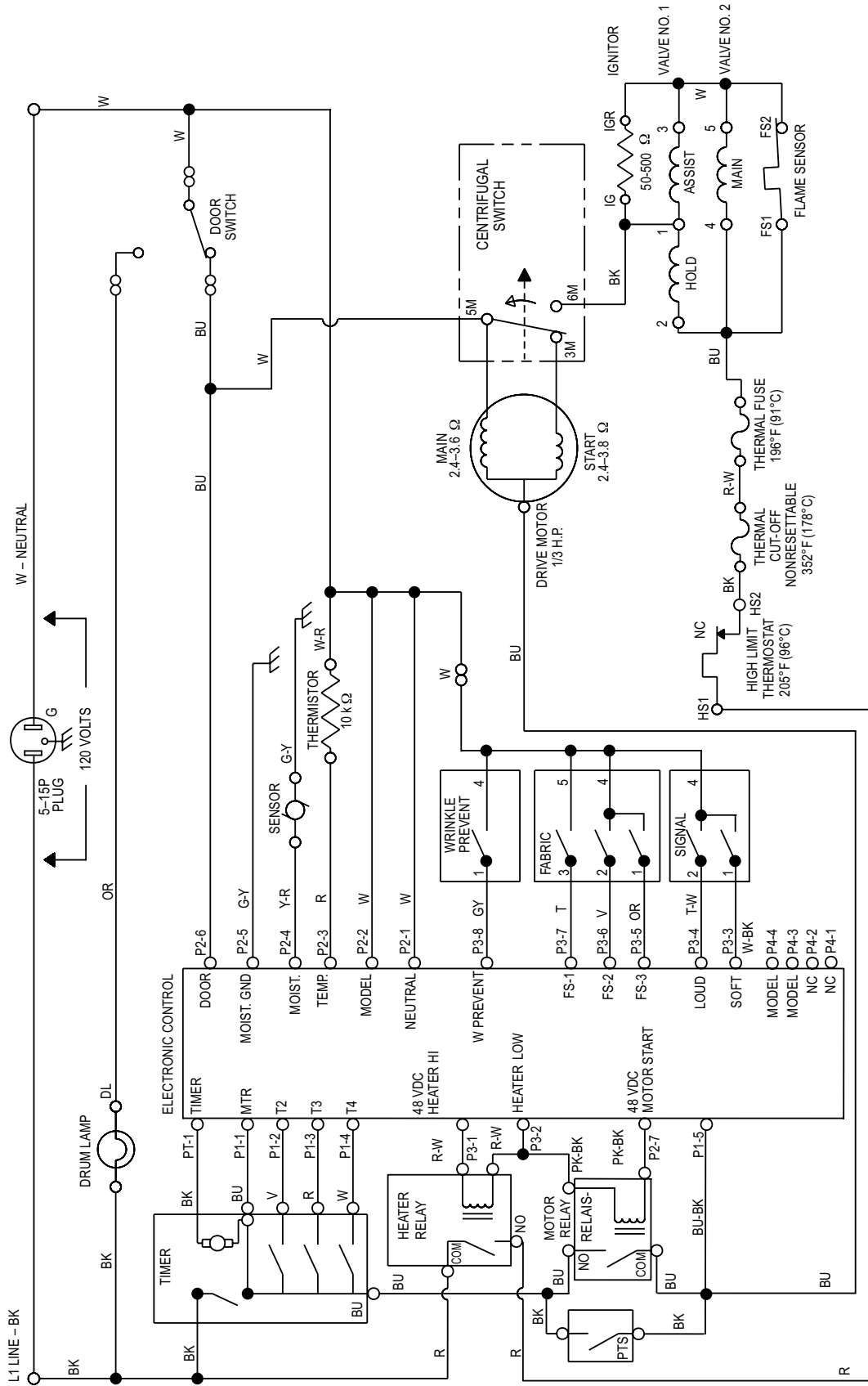


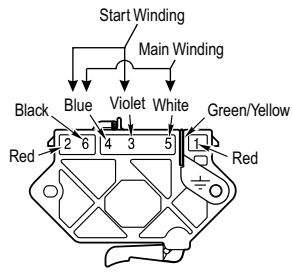
## MOISTURE SENSOR



# Gas Dryers

## WIRING DIAGRAM

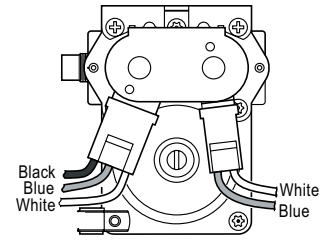




**Pluggable Drive Motor Switch**

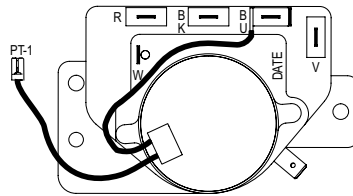
Contacts	
Function	1M 2M 3M 5M 6M
Start	● ● ● ● ●
Run	● ● ● ● ●

● = Contacts closed  
**Centrifugal Switch (Motor)**



**Gas Valve**

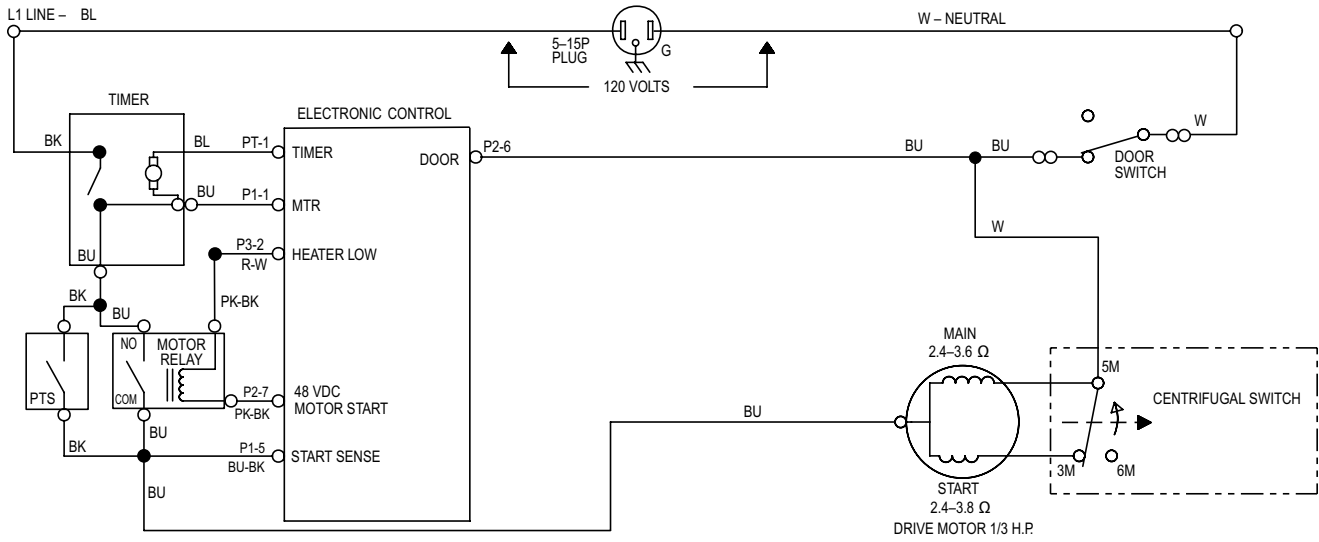
Timer	BU	BK	R	V	W
Wire Colors	Blue	Black	Red	Violet	White



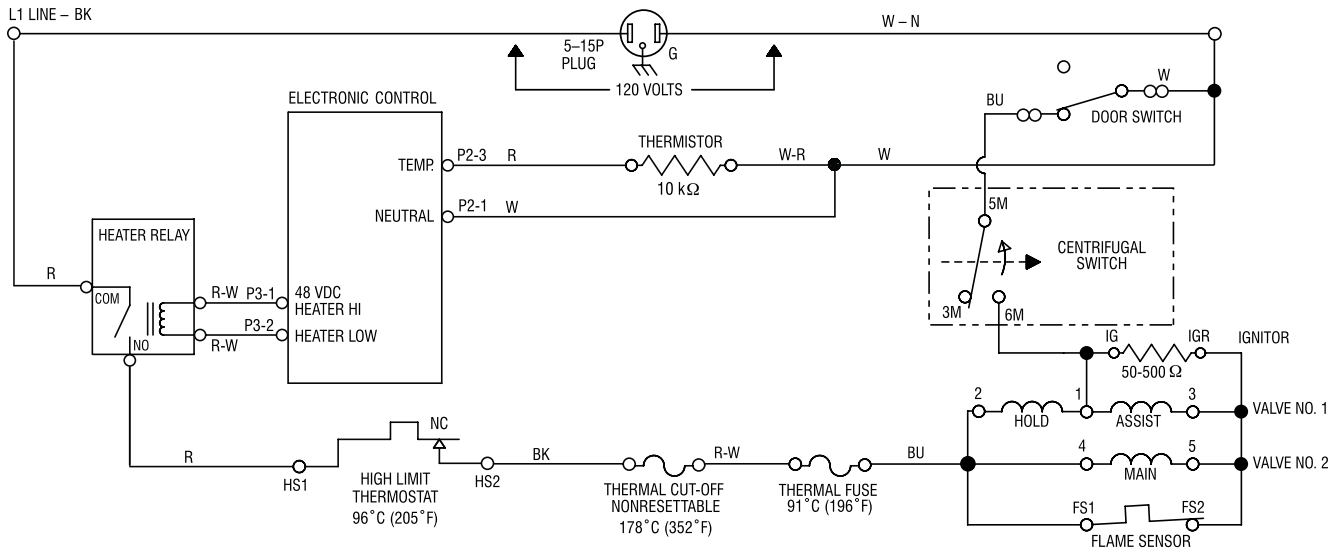
**Timer**

# STRIP CIRCUITS

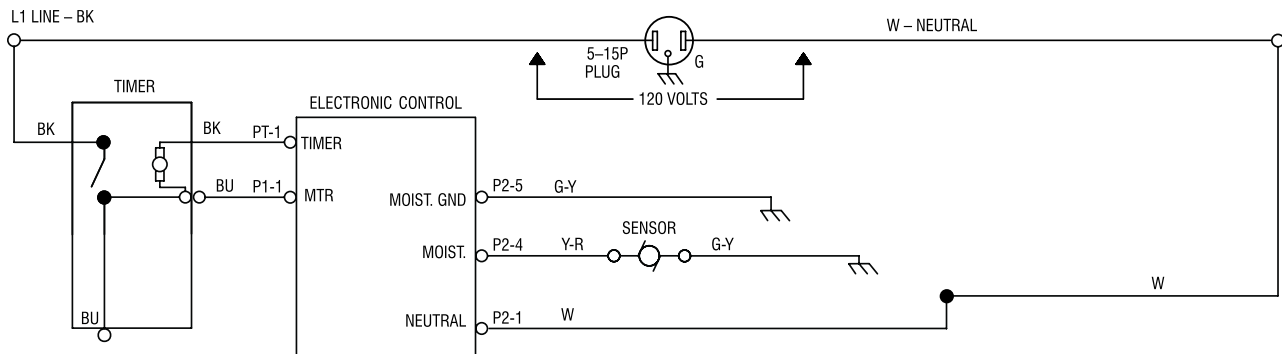
## MOTOR



## HEATER



## MOISTURE SENSOR



— NOTES —

— NOTES —

# **PRODUCT SPECIFICATIONS AND WARRANTY INFORMATION SOURCES**

## ***IN THE UNITED STATES:***

### **FOR PRODUCT SPECIFICATIONS AND WARRANTY INFORMATION CALL:**

FOR WHIRLPOOL PRODUCTS: 1-800-253-1301  
FOR KITCHENAID PRODUCTS: 1-800-422-1230  
FOR ROPER PRODUCTS: 1-800-447-6737

### **FOR TECHNICAL ASSISTANCE WHILE AT THE CUSTOMER'S HOME CALL:**

THE TECHNICAL ASSISTANCE LINE: 1-800-832-7174

**HAVE YOUR STORE NUMBER READY TO IDENTIFY YOU AS AN  
AUTHORIZED IN-HOME SERVICE PROFESSIONAL**

### **FOR LITERATURE ORDERS:**

PHONE: 1-800-851-4605

### **FOR TECHNICAL INFORMATION AND SERVICE POINTERS:**

[www.servicematters.com](http://www.servicematters.com)

---

## ***IN CANADA:***

### **FOR PRODUCT SPECIFICATIONS AND WARRANTY INFORMATION CALL:**

1-800-461-5681

### **FOR TECHNICAL ASSISTANCE WHILE AT THE CUSTOMER'S HOME CALL:**

THE TECHNICAL ASSISTANCE LINE: 1-800-488-4791

**HAVE YOUR STORE NUMBER READY TO IDENTIFY YOU AS AN  
AUTHORIZED IN-HOME SERVICE PROFESSIONAL**

