

5. EXPLODED VIEWS AND PARTS LIST



[MATERIAL CODE STANDARDS]

Material codes and names and their respective naming rules are managed in accordance with the prescribed standards. Please refer to these standards when requesting a material.

1. Material Code Type

● : Number

■ : Letter (Alphabet)

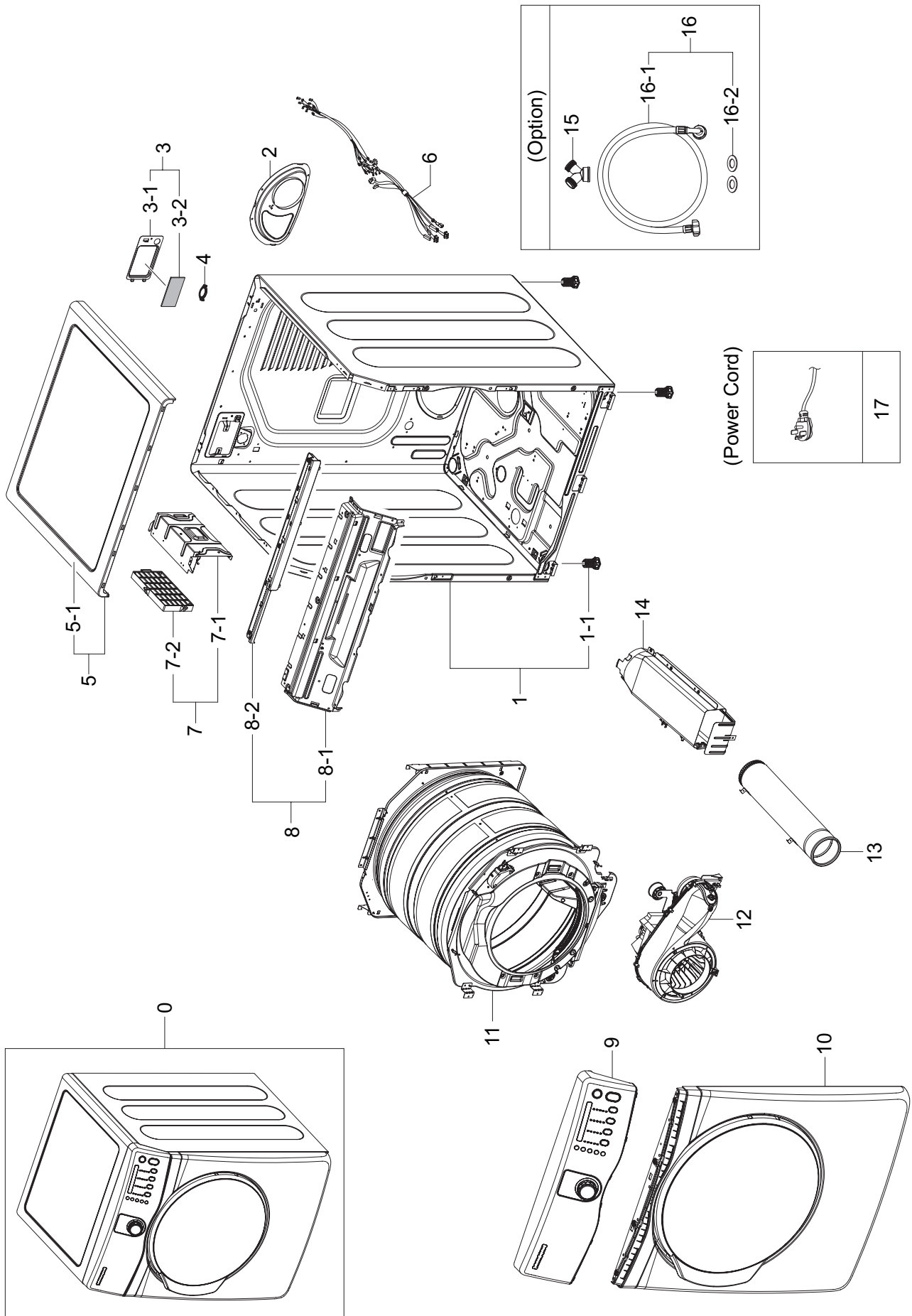
Type 1	 ex) 0204-000418 FREON	Enterprise-wide parts Type 1 materials can be used for all Samsung Electronics products. (Most electrical parts belong to this type.)
Type 2	 ex) DC96-01390A ASSY-CONTROL	Division-wide parts (DC**-Washing machine) Type 2 materials can be used for specific products. (Most instruments and tools belong to this type.)

2. Ass'y Materials

All ass'y material codes start with DC9*.

An ass'y material is created by combining more than two materials. If a requested material cannot be provided, you can request an ass'y material that contains that material.

5-1. MAIN

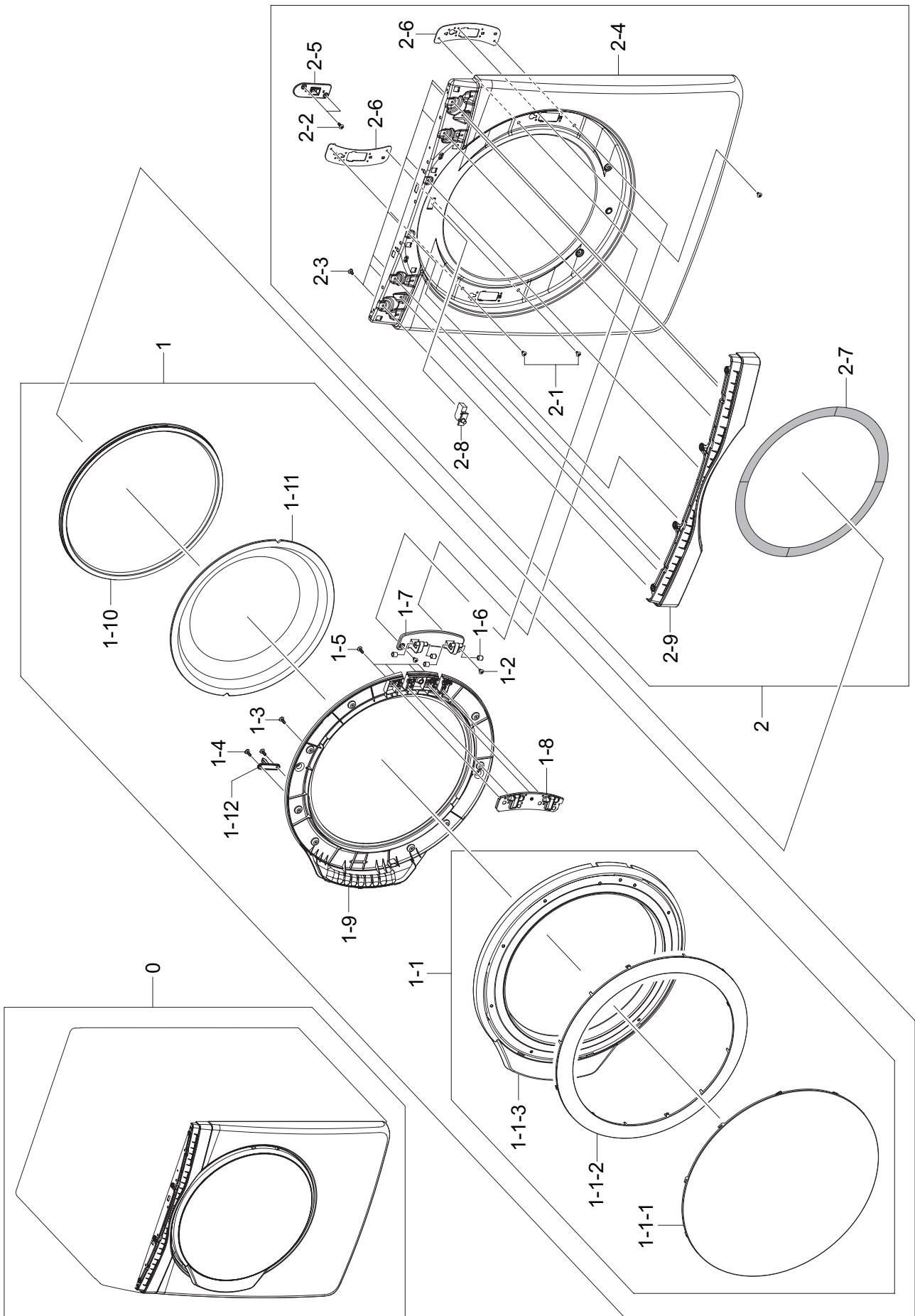


MODEL CODE: DV409SEL/XAC

Service Bom (SA: SERVICE AVAILABLE, SNA: SERVICE NOT AVAILABLE)

Drawing No.	Code No.	Description	Specification	QTY	Un	SA/SNA
0	DV409SEL/XAC	ASSY-CLOTHES DRYER	CANADA			
1	DC97-15162M	ASSY FRAME	PURPLE-DRYER,DV438AEL,PCM,AND	1	PC	SA
1-1	DC61-01693A	LEG	MARS-PJT,FRPP,-,-,-	4	PC	SNA
2	DC63-00534D	COVER-BACK	27-DRYER,GI,T0.8,NATURAL,SCRA	1	PC	SA
3	DC97-08855A	ASSY-COVER POWER	MDE9700AYW,-	1	PC	SA
3-1	DC63-00540A	COVER-POWER	WINGS-DRYER,GI,T0.6,-,-,-,-	1	PC	SNA
3-2	DC72-00056A	SPONGE-CUSHION	27-DRYER,UN2,-,T3.0,W50,L	1	PC	SNA
4	DC61-01428A	HOLDER-POWER	MDE9700AYW,PP,-,-,-,WHT,POW	1	PC	SA
5	DC97-14840G	ASSY COVER TOP	PURPLE-DRYER,DV428AEL,EGI	1	PC	SA
5-1	DC63-00877C	COVER-TOP	WF428AAL/XAC,EGI,T0.8,W684,L57	1	PC	SA
6	DC93-00067A	ASSY M. WIRE HARNESS	27" ACE PJT DRYER,D	1	PC	SA
7	DC97-10875J	ASSY HOLDER PCB	ACE-DRYER,DV419AEW,-,-,-	1	PC	SNA
7-1	DC61-01229A	HOLDER-PCB	WINGS-DRYER,GI,T0.6,NTR,MAIN	1	PC	SA
7-2	DC92-00257A	ASSY PCB MAIN	ACE-PJT,DV419AEC,-,120V/60	1	PC	SA
8	DC97-14796A	ASSY FRAME PLATE(U)	PURPLE-PJT,DV438AEG/	1	PC	SNA
8-1	DC61-01969A	FRAME-PLATE(U)	DV438AEW,GI,T0.8,W676.3,L	1	PC	SA
8-2	DC61-02008A	GUIDE-PANEL	WF448AAW,PP,T2.0,W51.2,L638.	1	PC	SA
9	DC97-15654A	ASSY PANEL CONTROL	ACE-DRYER(BETTER),DV4	1	PC	SNA
10		ASSY-FRAME FRONT & DOOR	Refer to 5.2 ASS'Y-FRONT	1		
11	DC97-14816A	ASSY DRUM	DV438AEG/XAA,PURPLE DRYER,-,-,	1	PC	SNA
12	DC96-00791A	ASSY MOTOR DUCT	MDE7800AYW,-,-,60HZ,240V	1	PC	SNA
13	DC97-07519A	ASSY DUCT EXHAUST	WINGS-DRYER,MDE9700AYW	1	PC	SA
14	DC97-14486A	ASSY DUCT HEATER	27-DRYER,-,-,-,ELECTRIC	1	PC	SA
15	DC97-15103A	ASSY CONNECTOR	DV448AEW,-,PACKING/HOSE C	1	PC	SA
16	DC97-15692A	ASSY HOSE WATER	ACE,WF419AAW,COLD,L1240,	1	PC	SA
16-1	DC62-00075B	HOSE-WATER(C)	-,NBR+NYLON,ID10.2,OD16.5,	1	PC	SC
16-2	DC62-40178A	SEAL-WATER	-,NR,BLK,-,-,-,ID12XOD25XT3	2	PC	SA
17	DC96-00762A	ASSY POWER CORD	NOMA/66"/BLK/DRT-30,30A	1	PC	SA

5-2. FRAME FRONT & DOOR

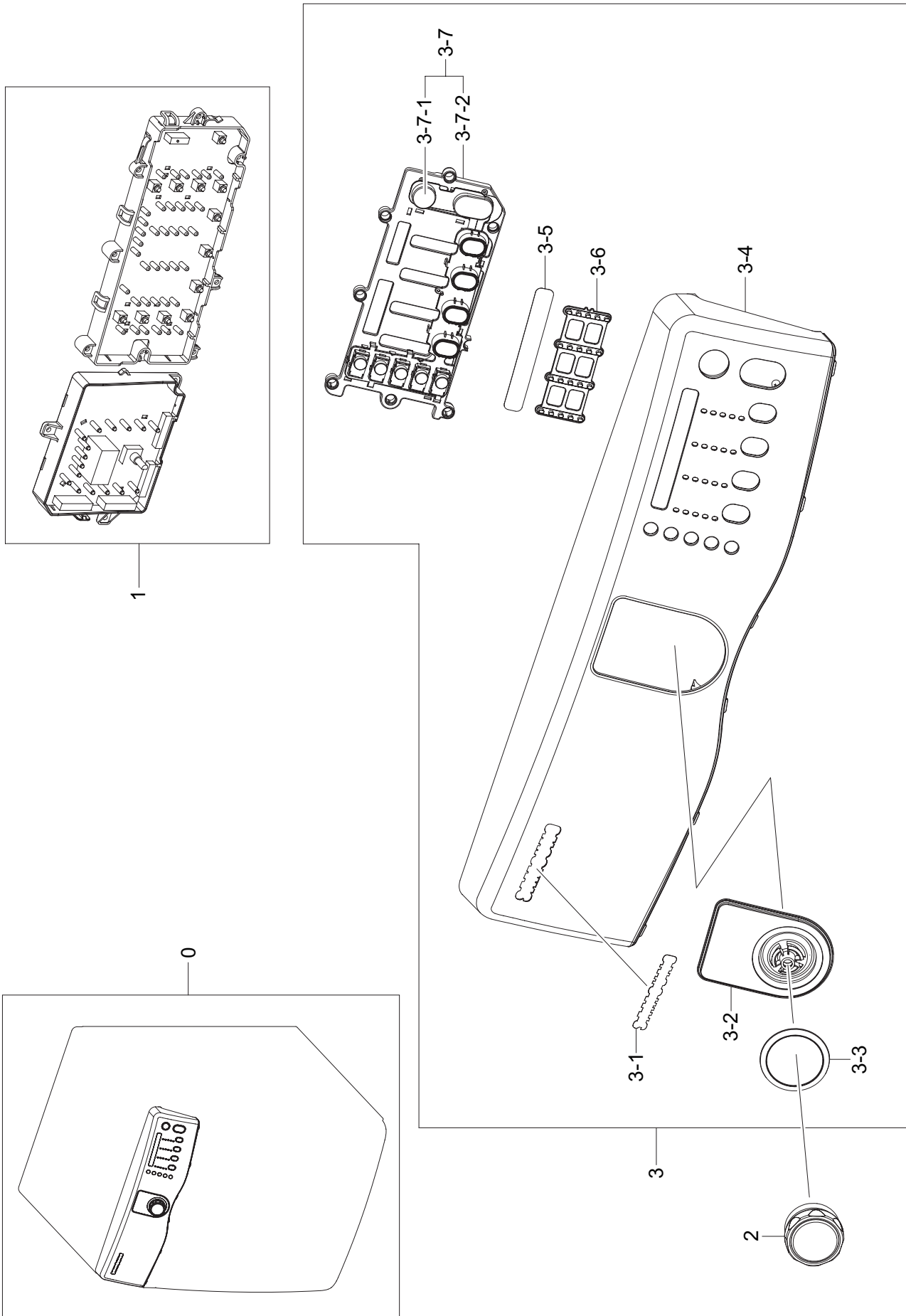


MODEL CODE: DV409SEL/XAC

Service Bom (SA: SERVICE AVAILABLE, SNA: SERVICE NOT AVAILABLE)

Drawing No.	Code No.	Description	Specification	QTY	Un	SA/SNA
0		ASSY-FRAME FRONT & DOOR		1		
1	DC97-14563E	ASSY DOOR	NORMAN-DRYER(BEST),592-895090,	1	PC	SA
1-1	DC97-14593D	ASSY COVER DOOR	NORMAN-DRYER(BEST),592-8	1	PC	SA
1-1-1	DC64-01552B	DOOR-SAFETY	ACE-PJT,PET,T2.5,-,W514,L514	1	PC	SA
1-1-2	DC64-01366G	DECORATION-DOOR	592-895090,EGI,T0.5,IMPE	1	PC	SNA
1-1-3	DC63-00885A	COVER-DOOR	PURPLE-PJT,ABS,T2.5,W541,L541	1	PC	SNA
1-2	6002-000241	SCREW-TAPPING	TH,+,-,2S,M5,L12,ZPC(WHT),	1	PC	SA
1-3	6002-000444	SCREW-TAPPING	TH,+,-,2S,M4,L14,PASS,STS4	12	PC	SNA
1-4	6002-000445	SCREW-TAPPING	TH,+,-,2S,M4,L18,PASS,STS4	2	PC	SA
1-5	6002-001306	SCREW-TAPPING	TH,+,-,1,M4,L14,ZPC(WHT),S	8	PC	SNA
1-6	DC61-00891A	GUIDE-HINGE	HAUZEN(DOM),POM,-,-,WHT,HI	4	PC	SA
1-7	DC61-01532B	HINGE-DOOR	WF328,ALDC,T3.8,-,-,GRY,-,SPR	1	PC	SA
1-8	DC61-01576A	SUPPORT-HINGE	FRONTIER-PJT,SBHG1-A(SGCC)	1	PC	SA
1-9	DC61-01991A	HOLDER-GLASS	PURPLE DRYER,PP(TB53),T2.8,	1	PC	SA
1-10	DC62-00262A	SEAL-DOOR	DV448AEW,TPE,GRY,-,-,1280mm,PU	1	PC	SA
1-11	DC64-00993A	DOOR-GLASS	WINGS-DRYER,GLASS,T5,-,-,TR	1	PC	SA
1-12	DC66-00395A	LEVER-DOOR	WINGS-DRYER,POM,-,-,-,NTR,-	1	PC	SA
2	DC97-15509D	ASSY FRAME FRONT	ACE-DRYER,DV409SEL,ANDR	1	PC	SA
2-1	6001-001773	SCREW-MACHINE	TH,+,-,M5,L12,PASS,STS430,	2	PC	SA
2-2	6002-000231	SCREW-TAPPING	TH,+,-,2S,M4,L12,ZPC(WHT),	2	PC	SNA
2-3	6002-000239	SCREW-TAPPING	TH,+,-,2S,M4,L8,ZPC(WHT),S	9	PC	SA
2-4	DC61-01990C	FRAME-FRONT	DV428AEL,EGI,-,-,ANDRE-BLUE,	1	PC	SA
2-5	DC97-07510B	ASSY HOLDER LEVER	-,MDE7800AYW,DRYER/DOO	1	PC	SA
2-6	DC61-01222A	BRACKET-HINGE	27-DRYER,HGI,T2.0,-,-,-	2	PC	SA
2-7	DC63-10001C	SPONGE-EPDM	-,EPDM,-,T3.0,W15,L350,BLK,O	8	PC	SNA
2-8	DC64-00828A	DOOR-S/W	GD-PJT,PA,T13.6,H38.5,W44.3,-,W	1	PC	SA
2-9	DC64-01878C	DECORATION-FRONT	592-895090,ABS,T2.5,W70	1	PC	SA

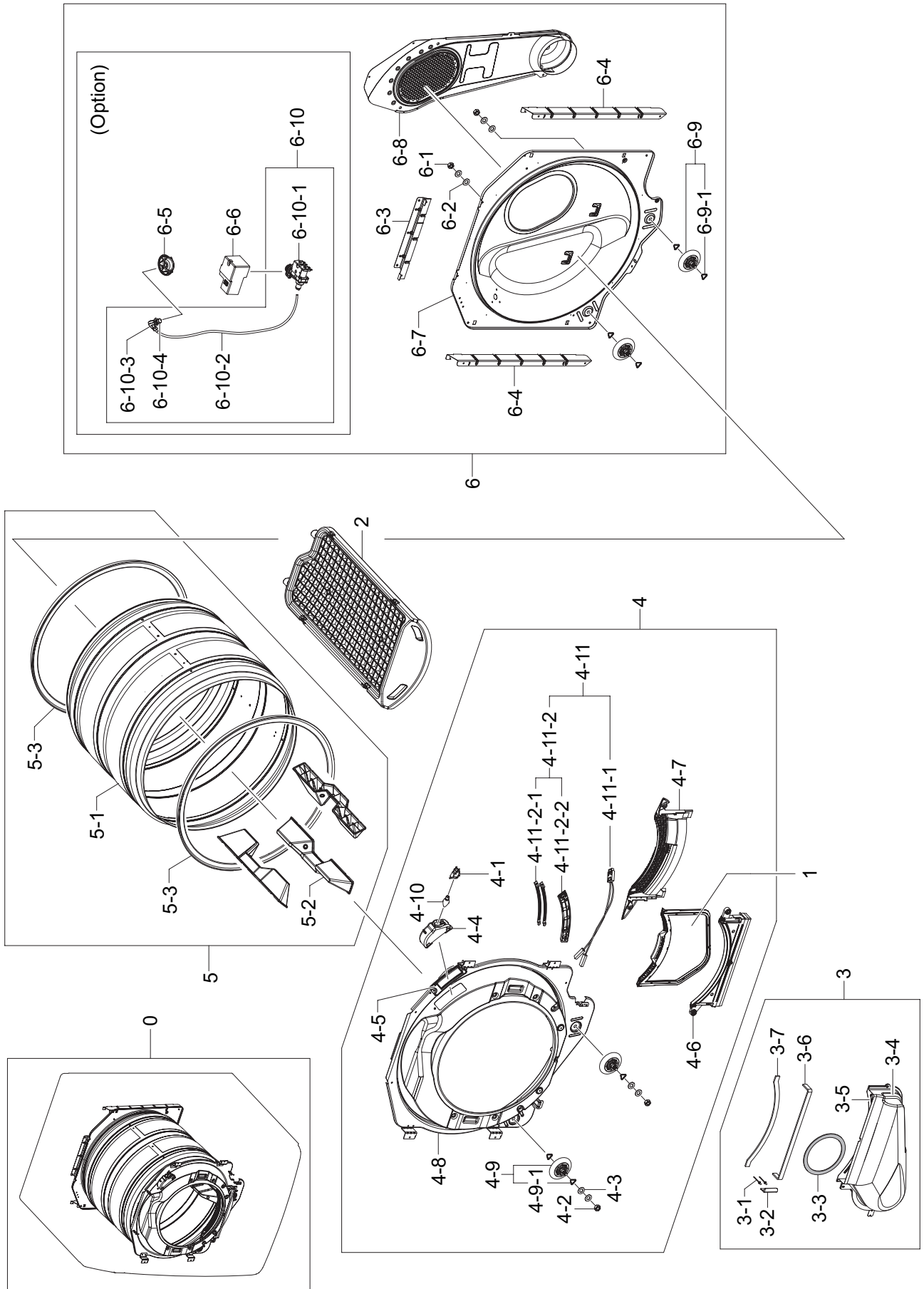
5-3. ASS'Y PANEL CONTROL



MODEL CODE: DV409SEL/XACService Bom (**SA**: SERVICE AVAILABLE, **SNA**: SERVICE NOT AVAILABLE)

Drawing No.	Code No.	Description	Specification	QTY	Un	SA/SNA
0	DC97-15654A	ASSY PANEL CONTROL	ACE-DRYER(BETTER),DV4	1	PC	SNA
1	DC92-00256B	ASSY PCB SUB	ACE-PJT,DV409,-,120V/60Hz,-	1	PC	SA
2	DC97-14447A	ASSY KNOB ENCODER	WF438AAW,-,-,-,-	1	PC	SA
3	DC97-15711A	ASSY S.PANEL CONTROL	ACE-DRYER,DV409SEL/	1	PC	SA
3-1	DC64-01387A	MASCOT	FRONTIER II,NICKEL,-,-,-,-,-	1	PC	SNA
3-2	DC64-01871A	WINDOW-ENCODER	WF419AAW/XAA,ACRYL(PMMA),	1	PC	SNA
3-3	DC64-01873A	DECORATION-ENCODER	WF419AAW/XAA,ABS,T2.8	1	PC	SNA
3-4	DC64-01879A	PANEL-CONTROL	DV409SEL,ABS,T3.0,ANDRE-BL	1	PC	SNA
3-5	DC64-01979B	WINDOW-PANEL	DV409SEL,ABS,T1.0,W20.1,L13	1	PC	SNA
3-6	DC64-01980A	DECORATION-LED	WF409SNL,PMMA,T1.2,W118.2	1	PC	SNA
3-7	DC97-15666A	ASSY BUTTON	ACE,WF409SNL	1	PC	SA
3-7-1	DC64-01845C	BUTTON-PUSH(P)	WF409SNL,ABS,ONYX BLUE,AC	1	PC	SA
3-7-2	DC64-01975A	BUTTON-RUBBER	WF409SNL,SILICON,NTR,ACE-P	1	PC	SNA

5-4. ASS'Y DRUM



MODEL CODE: DV409SEL/XAC

Service Bom (SA: SERVICE AVAILABLE, SNA: SERVICE NOT AVAILABLE)

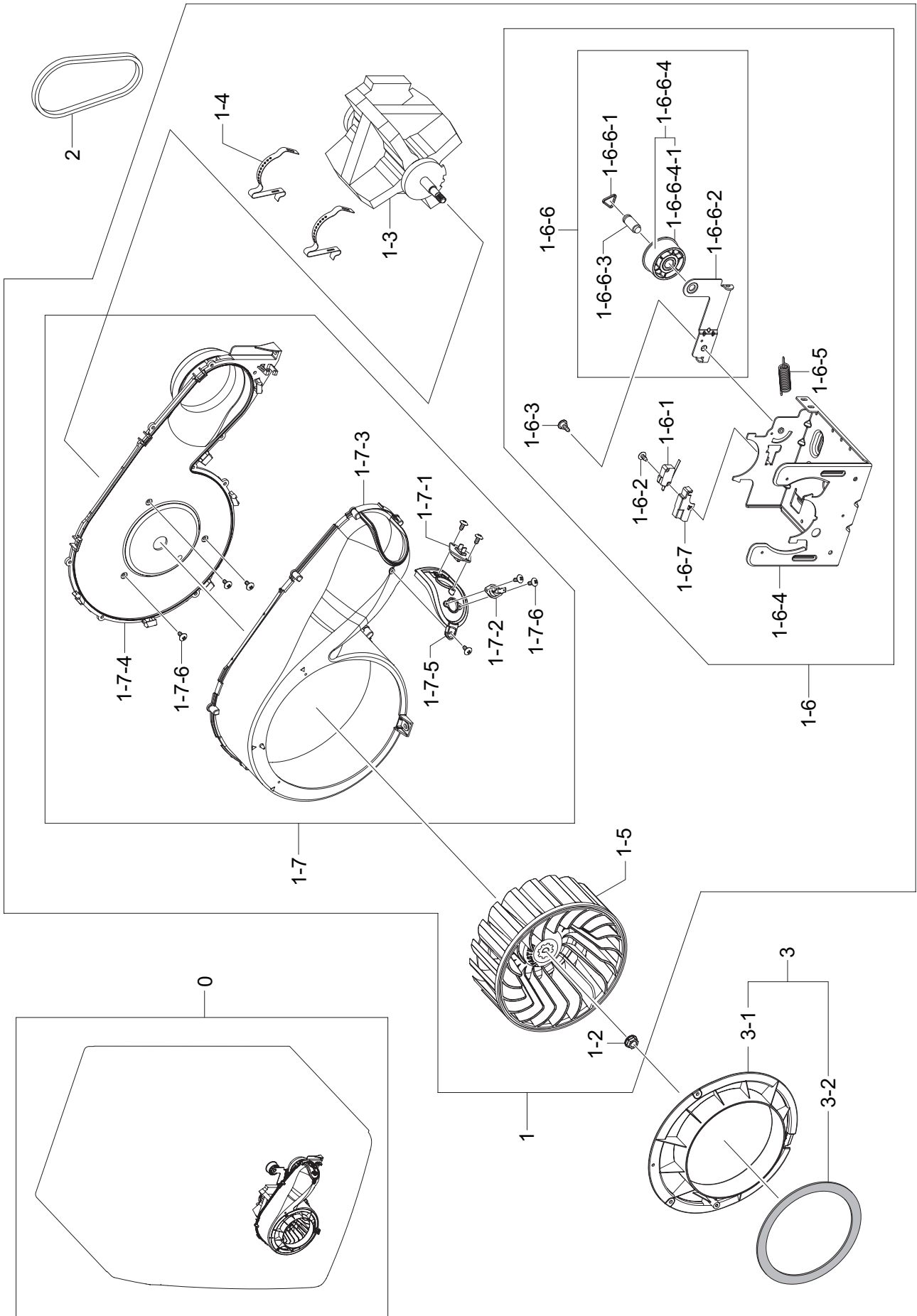
Drawing No.	Code No.	Description	Specification	QTY	Un	SA/SNA
0	DC97-14816A	ASSY DRUM	DV438AEG/XAA,PURPLE DRYER,-,-,	1	PC	SNA
1	DC61-01521A	CASE-FILTER	DV736E4/XAA(FRONTIER),FRPP(G	1	PC	SA
2	DC61-01522A	DIE-RACK DRY	FRONTIER-DRYER,TB-53,-,-,NT	1	PC	SA
3	DC97-07526B	ASSY DUCT OUTLET	DV337AEW,DRYER/BRACKET-	1	PC	SA
3-1	6041-001035	RIVET-RH	K1661-0512,AL(A5052),OD3.9,L11,	2	PC	SNA
3-2	DC61-01667A	BRACKET-FILTER(U)	MDE9700AYW,GI,T1.0,-,-	1	PC	SNA
3-3	DC63-10001K	SPONGE-EPDM	SWF-P12,EPDM,-,T3,W15,L530,B	1	PC	SNA
3-4	DC67-00127A	DUCT-OUTLET(F)	WINGS-DRYER,GI,T0.35,-,-,	1	PC	SNA
3-5	DC67-00128B	DUCT-OUTLET(B)	DV337AEW,GI,T0.6,-,-,NTR,	1	PC	SNA
3-6	DC72-00032A	SPONGE-EPDM	MDE9700AYW,EPDM,-,T5,W20,L40	1	PC	SNA
3-7	DC72-00032C	SPONGE-EPDM	MDE9700AYW,EPDM,-,T5,W20,L38	1	PC	SNA
4	DC97-10354A	ASSY DRUM FRONT	DV736E4/XAA,FRONTIER-DRY	1	PC	SNA
4-1	DC47-00021A	SOCKET-LAMP	-,MDE7800,E12,125V,0.6A,-,12	1	PC	SA
4-2	DC60-50145A	NUT-HEX	-,MSWR10,-,-,-,-,-,M10	2	PC	SA
4-3	DC60-60060A	WASHER	-,T2,-,ID12,OD24,-,YEL,-	4	PC	SA
4-4	DC61-01220A	GUIDE-LAMP	27-DRYER,FH44N,-,-,-,BLK,INTE	1	PC	SA
4-5	DC63-00531A	COVER-LAMP	WINGS-DRYER,PC(LEXAN#141R),-	1	PC	SA
4-6	DC63-00538A	COVER-FILTER(F)	WINGS-DRYER,TI-42,-,-,-,	1	PC	SA
4-7	DC63-00675A	COVER-FILTER(B)	DV736E4/XAA,TI-42,-,-,-,	1	PC	SA
4-8	DC97-10362A	ASSY-S.DRUM FRONT	DV736E4/XAA,FRONTIER-D	1	PC	SA
4-9	DC97-07523B	ASSY ROLLER	-,27-DRYER,DRYER/EPDM,-,-,-	2	PC	SA
4-9-1	DC61-01228A	HOLDER-SHAFT	WINGS-DRYER,NYLON#6,-,-,-,N	2	PC	SA
4-10	4713-001199	LAMP-INCANDESCENT	120V,83mA,10W,NTR,-,-,	1	PC	SA
4-11	DC97-08894A	ASSY GUIDE SENSOR(M)	MDE9700AYW,TOUCH SE	1	PC	SNA
4-11-1	DC96-00766A	ASSY WIRE HARNESS	GR-PJT,-,-,SUB/TOUCH S	1	PC	SA
4-11-2	DC97-08889A	ASSY GUIDE SENSOR	MDE9700AYW,OUCH SENSO	1	PC	SA
4-11-2-1	DC61-01231A	PLATE-SENSOR	27-DRYER,STS304,T0.8,-,-,-,	2	PC	SA
4-11-2-2	DC61-01235A	GUIDE-SENSOR	WINGS-DRYER,TI-42,-,-,-,GRY	1	PC	SA
5	DC97-14849A	ASSY DRUM WRAPPER	DV438AEG/XAA,STS430J1L	1	PC	SA
5-1	DC66-00397C	DRUM-WRAPPER	27-DRYER,STS430,625.3,OD667	1	PC	SNA
5-2	DC66-00511A	DRUM-LIFTER	DV448AEW/XAA,PP-TI42,-,-,455	3	PC	SA
5-3	DC97-07618A	ASSY GASKET PAD	MDE9700AYW,DRYER/DRUM-WR	2	PC	SNA
6	DC97-14999C	ASSY DRUM BACK	DV448AEW/XAA,PURPLE-PJT(E	1	PC	SNA
6-1	DC60-50145A	NUT-HEX	-,MSWR10,-,-,-,-,-,M10	2	PC	SA
6-2	DC60-60060A	WASHER	-,T2,-,ID12,OD24,-,YEL,-	4	PC	SA
6-3	DC61-01237A	BRACKET-DRUM BACK	WINGS-DRYER,SBHG1-A,T0	1	PC	SNA
6-4	DC61-01238A	BRACKET-DRUM BACK	27-DRYER,SBHG1-A,T0.8,	2	PC	SNA
6-5	DC61-02063A	GUIDE-NOZZLE	DV448AEG/XAA,PP(T142),T2.5,	1	PC	SA

MODEL CODE: DV409SEL/XACService Bom (**SA**: SERVICE AVAILABLE, **SNA**: SERVICE NOT AVAILABLE)

Drawing No.	Code No.	Description	Specification	QTY	Un	SA/SNA
6-6	DC63-00907A	COVER-VALVE WATER	DV448,PP,T2.5,W109.7,	1	PC	SA
6-7	DC66-00398G	DRUM-BACK	DV448AEW/XAA,STS445NF,T0.6,-,-	1	PC	SA
6-8	DC97-07521A	ASSY DUCT AIR	MDE7800AYW,DRYER,-,-,ELECT	1	PC	SA
6-9	DC97-07523B	ASSY ROLLER	-,27-DRYER,DRYER/EPDM,-,-,-	2	PC	SA
6-9-1	DC61-01228A	HOLDER-SHAFT	WINGS-DRYER,NYLON#6,-,-,-N	2	PC	SA
6-10	DC97-14929A	ASSY STEAM KIT	DV448AEG,100cc/min,120V/6	1	PC	SA
6-10-1	DC62-30042A	VALVE-WATER	DV448,PA66,80.8*97.6*44.7,0.	1	PC	SA
6-10-2	DC67-00331A	HOSE-DRAWER	DV448AEW,NYLON,ID4.3,OD6.35,	0.597	M	SNA
6-10-3	DC97-14928A	ASSY ELBOW	DV448AEG/XAA,C3604,-,-,-	1	PC	SNA
6-10-4	DC97-14931A	ASSY NOZZLE	DV448AEG/XAA,-,-,-,-,NICKEL	1	PC	SNA

MEMO

5-5. ASS'Y MOTOR

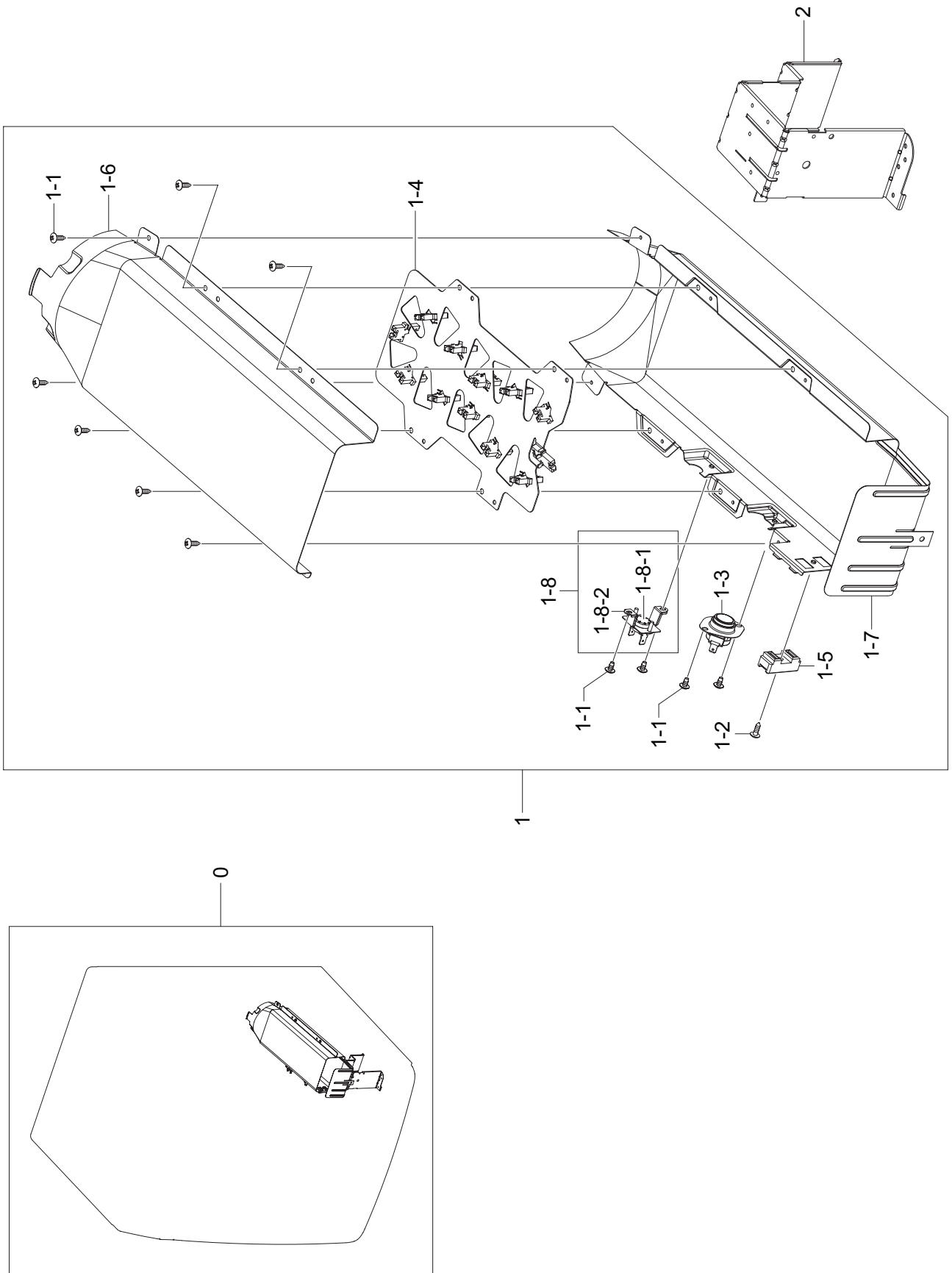


MODEL CODE: DV409SEL/XAC

Service Bom (SA: SERVICE AVAILABLE, SNA: SERVICE NOT AVAILABLE)

Drawing No.	Code No.	Description	Specification	QTY	Un	SA/SNA
0	DC96-00791A	ASSY MOTOR DUCT	MDE7800AYW,-,-,60HZ,240V	1	PC	SNA
1	DC96-01112C	ASSY MOTOR	MDE9700AYW,DRYER,-,-,-,-	1	PC	SNA
1-2	6021-001201	NUT-INCH	LEFT TURN,3/8"-24,ZPC(YEL),MSWR	1	PC	SA
1-3	DC31-00055A	MOTOR INDUCTION-DRYER	WINGS-PJT,S58NXDD-	1	PC	SA
1-4	DC61-01214A	SPRING-PLATE	WINGS-DRYER,SK-5,-,-,-,-,-,	2	PC	SA
1-5	DC67-00180A	FAN	WINGS-DRYER,FRPP(15%),-,-,-, MOTOR	1	PC	SA
1-6	DC96-00790C	ASSY BRACKET MOTOR	MDE9700AYW,DRYER,-,-,	1	PC	SNA
1-6-1	3405-001077	SWITCH-MICRO	125V,15A,180gf,2	1	PC	SA
1-6-2	6002-000488	SCREW-TAPPING	PH,+,-,2S,M3,L16,ZPC(WHT),	1	PC	SA
1-6-3	6009-001342	SCREW-SPECIAL	TH,+,-,M5,L11,ZPC(WHT),SWR	1	PC	SA
1-6-4	DC61-01213A	BRACKET-MOTOR	WINGS-DRYER,HGI,T2.0,-,-,-,	1	PC	SA
1-6-5	DC61-01215B	SPRING ETC-TENSION	MDE9700AYW,HSWR,D1.8,	1	PC	SA
1-6-6	DC96-00882C	ASSY BRACKET IDLER	MDE9700AYW,DRYER,-,-,	1	PC	SA
1-6-6-1	DC61-01228A	HOLDER-SHAFT	WINGS-DRYER,NYLON#6,-,-,-,N	1	PC	SA
1-6-6-2	DC61-01230B	BRACKET-IDLER	MDE9700AYW,HGI,T2.0,-,-,-,	1	PC	SA
1-6-6-3	DC66-00401A	SHAFT-IDLER	WINGS-DRYER,STS-410,-,-,-,-,	1	PC	SNA
1-6-6-4	DC97-07509B	ASSY ROLLER	-,MDE9700AYW,DRYER/MOTOR/IDL	1	PC	SA
1-6-6-4-1	DC66-00402A	ROLLER-IDLER	WINGS-DRYER,POM,-,-,-,-,MOT	1	PC	SA
1-6-7	DC63-00919A	COVER-SWITCH	DV448,ABS+PC,T2.5,W13.7,L52	1	PC	SA
1-7	DC97-07508A	ASSY COVER DUCT	MDE9700AYW,DRYER,-,-,-,-	1	PC	SNA
1-7-1	DC32-00007A	THERMISTOR	N3S1-K41-S1,10K,10KOHM 25,-40	1	PC	SA
1-7-2	DC47-00016A	THERMOSTAT	B-2,250,25A,-20~150,-40~150,2	1	PC	SA
1-7-3	DC61-01240A	BRACKET-THERMISTOR	27-DRYER,PP,-,-,-,WHI	1	PC	SA
1-7-4	DC61-01241A	GUIDE-DUCT FAN	27-DRYER,TB-53,-,-,-,NATU	1	PC	SA
1-7-5	DC63-00536A	COVER-DUCT FAN	27-DRYER,TB-53,-,-,-,-,-,	1	PC	SA
1-7-6	6002-000470	SCREW-TAPPING	TH,+,-,1,M4,L10,ZPC(WHT),S	5	PC	SA
2	6602-001655	BELT-TIMING GEAR	-,RUBBER,T3*W8,-,L2337,	1	PC	SA
3	DC97-07895A	ASSY DUCT CONNECTOR	MDE7800AYW,DRYER,-,-	1	PC	SA
3-1	DC67-00130A	DUCT-CONNECTOR	27-DRYER,TB-53,-,-,-,NTR,	1	PC	SNA
3-2	DC72-00032E	SPONGE-EPDM	MDE9700AYW,EPDM,-,T3,W15,L74	1	PC	SNA







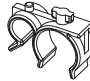
5-6. ASS'Y DUCT HEATER



MODEL CODE: DV409SEL/XACService Bom (**SA**: SERVICE AVAILABLE, **SNA**: SERVICE NOT AVAILABLE)

Drawing No.	Code No.	Description	Specification	QTY	Un	SA/SNA
0		ASSY-DUCT HEATER & DIE		1		
1	DC97-14486A	ASSY DUCT HEATER	27-DRYER,-,-,ELECTRIC	1	PC	SA
1-1	6002-000239	SCREW-TAPPING	TH,+,-,2S,M4,L8,ZPC(WHT),S	11	PC	SA
1-2	6002-001306	SCREW-TAPPING	TH,+,-,1,M4,L14,ZPC(WHT),S	1	PC	SNA
1-3	DC47-00018A	THERMOSTAT	60T11,-,250V,25A,-20~150,-30~	1	PC	SA
1-4	DC47-00019A	HEATER-DRY	-,GD-PJT,-,5300W,21A,240,10,D	1	PC	SA
1-5	DC65-00013A	TERMINAL-BLOCK	GR-PJT,SERAMIC,2HOLE,1015	1	PC	SNA
1-6	DC67-00132A	DUCT-HEATER(U)	WINGS-DRYER,AL-COAT,T0.5,	1	PC	SNA
1-7	DC67-00133A	DUCT-HEATER(L)	WINGS-DRYER,AL-COAT,T0.5,	1	PC	SNA
1-8	DC96-00887A	ASSY BRACKET THERMOSTAT	MDE9700AYW,DRYER	1	PC	SA
1-8-1	DC47-00015A	THERMOSTAT	B-2,-,250V,25A,-20~150,-40~15	1	PC	SA
1-8-2	DC61-01204A	BRACKET-THERMOSTAT	WINGS-DRYER,SGCC(GI),	1	PC	SNA
2	DC61-02016A	DIE-HEATER	DV438AEW/XAA,SECC(EGI),-,-,NT	1	PC	SA

5-7. SMALL PARTS

						(Option) 
1	2	3	4	5	6	7

MODEL CODE: DV409SEL/XAC

Service Bom (SA: SERVICE AVAILABLE, SNA: SERVICE NOT AVAILABLE)

Drawing No.	Code No.	Description	Specification		QTY	Un	SA/SNA
1	6046-000310	STAND OFF	ID11.5,L2,NTR,NYLON66,DAWH-3NA	FRAME-PLATE(U)_R	1	PC	SNA
1	6046-000310	STAND OFF	ID11.5,L2,NTR,NYLON66,DAWH-3NA	DRUM-FRONT	3	PC	SNA
1	6046-000310	STAND OFF	ID11.5,L2,NTR,NYLON66,DAWH-3NA	DRUM-BACK	1	PC	SNA
2	DC61-60074A	HOLDER-WIRE	-,NYLON#66(DAWS-6NB),-,-,-,N	HOLDER-PCB	1	PC	SA
2	DC61-60074A	HOLDER-WIRE	-,NYLON#66(DAWS-6NB),-,-,-,N	FRAME(REAR TOP)	1	PC	SA
3	DC61-00553B	HOLDER-WIRE SADDLE	-,NYLON66,-,-,-,NTR,D	GUIDE-LAMP	1	PC	SA
4	DC61-40081A	HOLDER-WIRE	DAWH-2NC,NYLON66,-,-,-,-,NTR	FRAME-PLATE(U)_L	1	PC	SNA
4	DC61-40081A	HOLDER-WIRE	DAWH-2NC,NYLON66,-,-,-,-,NTR	BOTTOM+FRAME	3	PC	SNA
4	DC61-40081A	HOLDER-WIRE	DAWH-2NC,NYLON66,-,-,-,-,NTR	PLATE-BOTTOM	5	PC	SNA
5	6502-000127	CABLE CLAMP	DAWH-18NB,ID15,-,NYLON66,NTR	HOLDER-PCB	1	PC	SNA
5	6502-000127	CABLE CLAMP	DAWH-18NB,ID15,-,NYLON66,NTR	DRUM-BACK	1	PC	SNA
6	DC61-00553C	HOLDER-WIRE SADDLE	-,NYLON66,-,-,-,NTR,D	F/FRONT	1	PC	SA
7	DC61-00133A	CLAMPER HOSE-FIX	P1291,PP,ID24.5,OD29.5,	DRUM-BACK	1	PC	SNA

5-8. PARTS LIST (SA/SC OTHERS)

MODEL CODE: DV409SEL/XAC

Service Bom (SA: SERVICE AVAILABLE, SNA: SERVICE NOT AVAILABLE)

Code No.	Description	Specification	QTY	Un	SA/SNA
3405-001083	SWITCH-MICRO	250Vac,2A,180gf,3	1	PC	SA
3501-001154	RELAY-MINIATURE	12Vdc,200mW,3000mA,1Form	4	PC	SA
6001-001668	SCREW-MACHINE	TH,+ ,M5,L16,PASS,STS430,FP	1	PC	SA
6001-001773	SCREW-MACHINE	TH,+ ,-,M5,L12,PASS,STS430,	2	PC	SA
6002-000213	SCREW-TAPPING	TH,+ ,-,1,M4,L12,ZPC(WHT),S	2	PC	SA
6002-000213	SCREW-TAPPING	TH,+ ,-,1,M4,L12,ZPC(WHT),S	5	PC	SA
6002-000239	SCREW-TAPPING	TH,+ ,-,2S,M4,L8,ZPC(WHT),S	1	PC	SA
6002-000239	SCREW-TAPPING	TH,+ ,-,2S,M4,L8,ZPC(WHT),S	8	PC	SA
6002-000239	SCREW-TAPPING	TH,+ ,-,2S,M4,L8,ZPC(WHT),S	3	PC	SA
6002-000445	SCREW-TAPPING	TH,+ ,-,2S,M4,L18,PASS,STS4	3	PC	SA
6002-000470	SCREW-TAPPING	TH,+ ,-,1,M4,L10,ZPC(WHT),S	9	PC	SA
6002-001320	SCREW-TAPPING	TH,+ ,2S,M4,L8,PASS,STS304,	3	PC	SA
6009-001476	SCREW-HEX	HEX,+ ,-,M5,L10,ZPC3(BLK),SWRCH	2	PC	SA

5-9. PARTS LIST (SCREW TYPE)

MODEL CODE: DV409SEL/XAC

Service Bom (SA: SERVICE AVAILABLE, SNA: SERVICE NOT AVAILABLE)

Code No.	Description	Specification	QTY	Un	SA/SNA
6001-001668	SCREW-MACHINE	TH,+,M5,L16,PASS,STS430,FP	1	PC	SA
6001-001773	SCREW-MACHINE	TH,+,-,M5,L12,PASS,STS430,	4	PC	SA
6002-000213	SCREW-TAPPING	TH,+,-,1,M4,L12,ZPC(WHT),S	7	PC	SA
6002-000215	SCREW-TAPPING	TH,+,-,1,M4.0,L16,ZPC(WHT)	12	PC	SNA
6002-000231	SCREW-TAPPING	TH,+,-,2S,M4,L12,ZPC(WHT),	20	PC	SNA
6002-000234	SCREW-TAPPING	TH,+,-,2S,M4,L16,ZPC(WHT),	2	PC	SNA
6002-000239	SCREW-TAPPING	TH,+,-,2S,M4,L8,ZPC(WHT),S	32	PC	SA
6002-000241	SCREW-TAPPING	TH,+,-,2S,M5,L12,ZPC(WHT),	1	PC	SA
6002-000444	SCREW-TAPPING	TH,+,-,2S,M4,L14,PASS,STS4	12	PC	SNA
6002-000445	SCREW-TAPPING	TH,+,-,2S,M4,L18,PASS,STS4	5	PC	SA
6002-000470	SCREW-TAPPING	TH,+,-,1,M4,L10,ZPC(WHT),S	14	PC	SA
6002-000488	SCREW-TAPPING	PH,+,-,2S,M3,L16,ZPC(WHT),	1	PC	SA
6002-000630	SCREW-TAPPING	PH,+,-,2S,M3,L8,ZPC(WHT),S	2	PC	SNA
6002-001306	SCREW-TAPPING	TH,+,-,1,M4,L14,ZPC(WHT),S	19	PC	SNA
6002-001320	SCREW-TAPPING	TH,+,2S,M4,L8,PASS,STS304,	3	PC	SA
6002-001384	SCREW-TAPPING	TH,+,WT,C-TITE,M4,L10,ZPC(1	PC	SNA
6006-001174	SCREW-TAPPING	TH,+,WE,2S,M4,L12,ZPC(WHT)	21	PC	SNA
6009-001342	SCREW-SPECIAL	TH,+,-,M5,L11,ZPC(WHT),SWR	1	PC	SA
6009-001476	SCREW-HEX	HEX,+,-,M5,L10,ZPC3(BLK),SWRCH	2	PC	SA