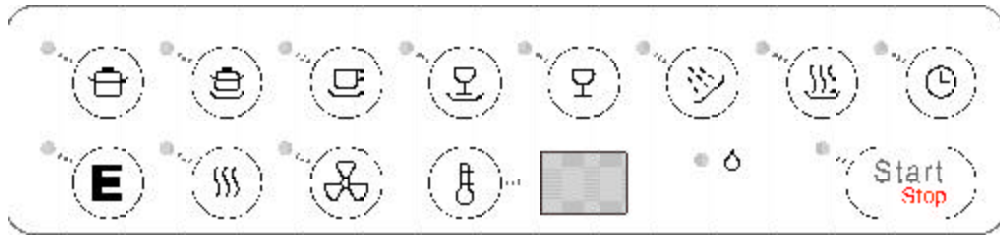


# INDEX

## D1976 DISHWASHER (DW955)

● PROGRAMS	2
● ELECTRICAL FUNCTIONS	6
● PART NUMBER SUFFIX DEFINITIONS	8
● SPARE PARTS LIST	
.. Casing and related parts	10
.. Container and related parts	12
.. Door	14
.. Control Panel	16
.. Dishwashing system	18
.. Interior light	20
● WIRING DIAGRAM	22
● TIMER DIAGRAM	23
● SERVICE INFORMATION	
.. Door springs	24
.. Water level	25
.. Door lock	26
.. Control unit failure analysis	27
.. Remaining time indication	28



## PROGRAMS

### PROGRAM

### DEFINITION

<b>Pots and pans/Sani</b>	Two prewashes, main wash, three rinses* and drying.
<b>Super</b>	Two prewashes, main wash, two rinses* and drying.
<b>Normal</b>	Two prewashes, main wash, two rinses* and drying.
<b>Light</b>	One prewash, main wash, two rinses, drying.
<b>Quick</b>	One short prewash, short main wash, two rinses.
<b>Rinse &amp; hold</b>	One rinse without heat at 131°F (55°C). If Heat fan dry is selected, the heating element will activate. Drying: 158°F (70°C)
<b>Plate warm</b>	Activates the heating element.

\* The Pots and Pans/Sani, Super and Normal programs can be programmed for an extra rinse (see page 4). In that case, the temperatures for the next-to-last rinse would be the household water temperature and the final rinse would be the last rinse temperature indicated in the table on page 3.

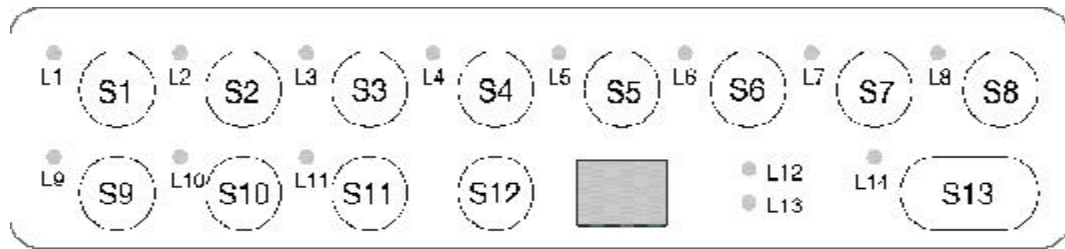
### OPTIONS

<b>Time Delay</b>	Each press of this touchpad delays the start by one hour, up to 12 hours. The number of hours is displayed in the LED window. After you select the hours, press Start. To cancel, press the Delay touchpad until the LED displays zero then press Start.
<b>Economy</b>	When used with low temperature settings, saves energy by extending the wash time.
<b>Heat Dry</b>	Activates the fan for an additional 30 minutes after the drying cycle to cool the dishes.
<b>Fan Cool</b>	Pressing this touchpad activates the heating element for 12 minutes after the final rinse. (158° F/70° C)
<b>Temp Select</b>	Lets you select the water temperature for the wash programs (except Rinse.) The indicator light glows when it's on the High setting and remains off when set on Low. The LED displays the temperatures in Celsius. Refer to the table on the next page for the temperature options and conversions to Fahrenheit.
<b>Start/Stop</b>	Press this touchpad to Start or Stop the machine. To interrupt a program, hold this touchpad down for three seconds.

**WASH PROGRAM TEMPERATURES**

Wash Program	Temp Options	1st Prewash	2nd Prewash	Main Wash	1st Rinse	2nd Rinse	Final Rinse
Pots & Pans/Sani*	131°F (55°C)	113°F (45°C)	House	131°F (55°C)	House	House	131°F (55°C)
	149°F (65°C)	113°F (45°C)	House	149°F (65°C)	House	House	149°F (65°C)
	158°F (70°C)	113°F (45°C)	House	158°F (70°C)	House	House	149°F (65°C)
	167°F (75°C)	113°F (45°C)	House	167°F (75°C)	House	House	149°F (65°C)
Super *	131°F (55°C)	113°F (45°C)	House	131°F (55°C)	House	131°F (55°C)	n/a
	149°F (65°C)	113°F (45°C)	House	149°F (65°C)	House	149°F (65°C)	n/a
	158°F (70°C)	113°F (45°C)	House	158°F (70°C)	House	149°F (65°C)	n/a
	167°F (75°C)	113°F (45°C)	House	167°F (75°C)	House	149°F (65°C)	n/a
Normal*	131°F (55°C)	86°F (30°C)	House	131°F (55°C)	House	131°F (55°C)	n/a
	149°F (65°C)	86°F (30°C)	House	149°F (65°C)	House	149°F (65°C)	n/a
	158°F (70°C)	86°F (30°C)	House	158°F (70°C)	House	149°F (65°C)	n/a
	167°F (75°C)	86 (30°C)	House	167°F (75°C)	House	149°F (65°C)	n/a
Light	113°F (45°C)	House	n/a	113°F (45°C)	House	113°F (45°C)	n/a
	131°F (55°C)	House	n/a	131°F (55°C)	House	131°F (55°C)	n/a
	149°F (65°C)	House	n/a	149°F (65°C)	House	149°F (65°C)	n/a
Quick	113°F (45°C)	House	n/a	113°F (45°C)	House	113°F (45°C)	n/a
	131°F (55°C)	House	n/a	131°F (55°C)	House	131°F (55°C)	n/a
	149°F (65°C)	House	n/a	149°F (65°C)	House	149°F (65°C)	n/a

\* The Pots and Pans/Sani, Super and Normal programs can be programmed for an extra rinse (see page 4). In that case, the temperatures for the next-to-last rinse would be the household water temperature and the final rinse would be the last rinse temperature indicated above.



S = Pushbutton switch

L = Indicator light

## EXTENDING FAN COOLING TIME

To extend the fan cooling time, **press S1 five times then press** one of the following:

- S5** for 30 extra minutes
- S4** for normal fan cooling time

## SETTING AN EXTRA RINSE

To add an extra rinse to the Pots and Pans, Super, Normal and Light wash programs, **press S2 five times then press** one of the following:

- S5** for an extra rinse
- S4** for the normal number of rinses

## SETTING CHILD-SAFE START FUNCTION

The start function can be reprogrammed so that the Start button must be pressed in for 3 seconds to start the programs. To do this, **press S4 five times then press** one of the following:

- S5** to get a prolonged start function or
- S4** to get a normal start function.

## SETTING PUMP-OUT TIME

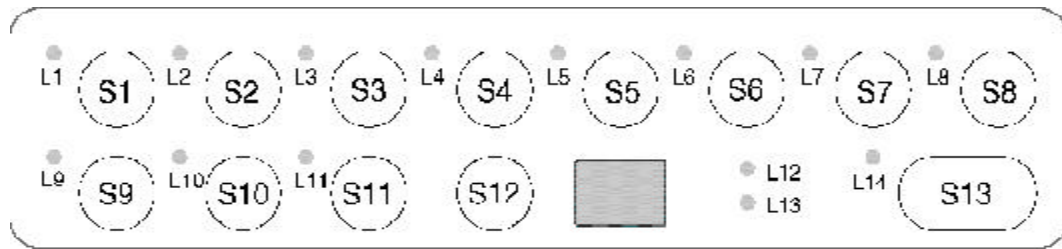
If it's necessary to reprogram the pump-out time, you can do so by **pressing S3 five times then pressing** one of the following:

<b>Press:</b>	<b>to get an outlet time of:</b>
<b>S3</b>	20 seconds
<b>S4</b>	25 seconds (factory setting)
<b>S5</b>	35 seconds
<b>S6</b>	45 seconds
<b>S7</b>	85 seconds

## SETTING INLET TIME

You can reprogram the inlet time on level controlled and time controlled inlets. To do this, **press S5 five times then press** one of the following:

<b>Press:</b>	<b>to get an inlet time of:</b>
<b>S3</b>	45 seconds (factory setting)
<b>S4</b>	56 seconds
<b>S5</b>	68 seconds
<b>S6</b>	90 seconds
<b>S7</b>	113 seconds
<b>S8</b>	180 seconds



S = Pushbutton switch

L = Indicator light

## FAULT CODES

Blinking lights and an F-code in the LED window indicate a machine fault.

<b>Code</b>	<b>Blinking Lights</b>	<b>Problem</b>
<b>F1</b>	L3 and L7	Heating element
<b>F2</b>	L1-L8	Overfill
<b>F3</b>	L4 and L5	Thermistor fault (heater control)
<b>F4</b>	L1-L4	Water inlet

## FAULT-TRACING PROGRAM

The functions of the electrical components can be tested by **pressing S6 five times then pressing** one of the following:

<b>Press</b>	<b>to test</b>
<b>S2</b>	inlet valve 2
<b>S3</b>	inlet valve 1
<b>S4</b>	combi-dispenser
<b>S5</b>	heating element
<b>S6</b>	circulation pump
<b>S7</b>	outlet pump
<b>S8</b>	fan motor and wax motor

Stop the fault-tracing program by pressing S13.

## LINKS ON THE PROCESSOR BOARD (for program variations)

These diodes should be cut for proper U.S. installation:

- Link 955: DW955, processor board layout
- Link USA: USA processor board layout

Date <b>2000-06</b>	<b>ELECTRICAL FUNCTIONS</b>	Page <b>6</b>
<p><b>CONTROL PANEL (see page 17)</b> The control panel contains a microprocessor for control of programs, circulation pump, inlet valves, etc. It also allows for custom settings of programs (see page 3).</p> <p><b>CIRCULATION PUMP/MOTOR (see page 19)</b> The circulation pump/motor consists of a synchronous motor and pump, constructed in an integrated unit. A 16 <math>\mu</math>F capacitor is fitted to the circulation motor/pump.</p> <p><b>OUTLET PUMP (see page 19)</b> The outlet pump consists of a synchronous motor and pump, constructed in an integrated unit.</p> <p><b>INLET VALVE (see page 19)</b> A safety-unit type: Two solenoids and valve seats are independently connected to a unit.</p> <p><b>HEATING ELEMENT (see page 13)</b> 1400 Watt</p> <p><b>THERMISTOR (see page 13)</b> The thermistor controls the water temperature within <math>\pm 1^{\circ}\text{C}</math> (<math>2.5^{\circ}\text{F}</math>) to give the required temperature. The heater will be disconnected if the thermistor is short-circuited or loosened from the circuit board and the fault code "F3" displays in the LED window. The normal resistance of the thermistor is between 25 and 15K ohm at <math>68^{\circ}\text{F}</math> (<math>20^{\circ}\text{C}</math>) or <math>86^{\circ}\text{F}</math> (<math>30^{\circ}\text{C}</math>) alternately.</p> <p><b>OVERHEAT PROTECTION (see page 13)</b> The thermostat has a switch-off function at <math>190^{\circ}\text{F}</math> (<math>88^{\circ}\text{C}</math>) that prevents the heating element from staying on if the control unit or the timer should fail.</p> <p><b>DOOR SWITCH (see page 19)</b> A microswitch senses that the door has been opened. This interrupts the program and cuts the power to all control components (motor, valves, etc.).</p> <p><b>LEVEL SWITCH (PRESSURE SWITCH) (see page 13)</b> This switch protects against overfilling by interrupting the power to the inlet valve and starting the outlet pump. If the water level has not dropped within 30 seconds or if overfill has occurred twice during the same program, the program will be terminated and a fault code displays. The overfill protection operates during all programs, including fault-tracing, even if the microprocessor is faulty.</p> <p><b>OVERFILL SWITCH (see page 13)</b> A float in the base pan influences a microswitch that disconnects the inlet valve and starts the outlet pump.</p> <p><b>COMBI-DISPENSER (see page 15)</b> The combi-dispenser dispenses both detergent and rinse aid. The dispenser has an adjustable volume chamber for setting the desired amount of rinse aid.</p> <p><b>TURBO FAN (see page 15)</b> The turbo fan vacuates the moist air from the machine during the drying phase of the program. The fan system consists of a fan motor that runs a two-part impeller. Dry, cool air is pulled in from the door into one of the impeller halves. A wax motor opens a damper and the moist air is pulled into the other part of the impeller. The dry, cool air and warm, moist air mix and condense in the condensation chamber. The condensed moisture then drains through the channel to the lower sump area. Dry air is then vented out through a channel below the outer door.</p>		

Date <b>2000-06</b>	<b>ELECTRICAL FUNCTIONS</b>	Page <b>7</b>
------------------------	-----------------------------	------------------

**Electrical Supply**

The machines are wired for connection to a single-phase, 120V, 15A supply, with a heater power of 1400W, giving a total power requirement of 1600W.

**VALUES FOR WIRING DIAGRAMS**

Resistance values at 68° F (+/-5°F), 20° C (+/-3°C)

(Values within +/- 10% is normal.)

AP	Drain pump	120V, 60 Hz, 25.5 ohm
BB	Illumination switch	
CP	Main pump	120 V, 60 Hz, Main = 10.5 ohm, Aux = 14.5 ohm
KD	Combi-dispenser	120 V, 0.31 ohm
EL	Heating element	120 V, 1400 W, 10 ohm
F	Filter	680 K ohm (1-2, 3-4)
M	Inlet valve	120 V, 9.93 K ohm
FL	Fan	120 V, 0.25 K ohm
LB	Door switch	
LU	Door	
N	Level switch	
P	Control unit	
R	Relay	230 V Eberle, 0.59 K ohm
T	Thermostat	19–25 K ohm
TB	Pushbutton switch	
TE	Temp. thermistor	18–25 K ohm
WAX	Wax motor	1.5–3.0 K ohm
VMG	Rinse ag sensor	
OB	Overflow switch	

The lists below define the meanings of the dashed numbers or letters following a part number:

### Colors:

- 0 White
- 29 Black, bright
- 33 Black
- 36 Dark grey
- 49 Helios grey
- 69 black, metallic
- 77 grey
- 81 metallic
- 95 Stainless Steel

**Note:** Not all colors are available for all parts.

### Doors

- M for units with fan
- P for integrated units
- R for decor frames, long deviation
- S for decor frames, short deviation
- T for decor frames with adjustable lower part



Date <b>2000-06</b>		Page <b>9</b>
------------------------	--	------------------

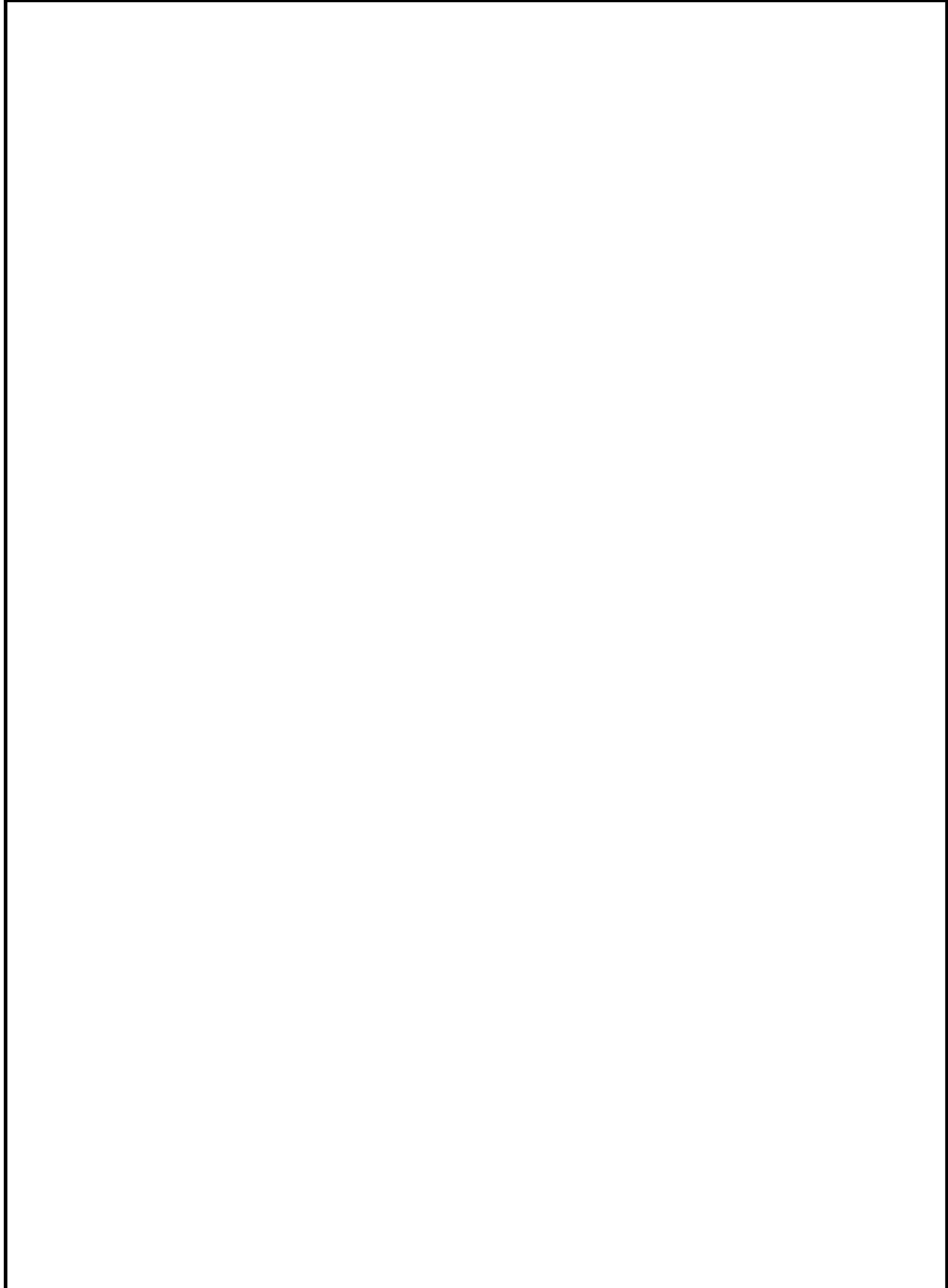
**This page intentionally blank.**

Date <b>2000-06</b>	<b>CASING AND RELATED PARTS</b>	Page <b>10</b>
------------------------	---------------------------------	-------------------

--	--	--

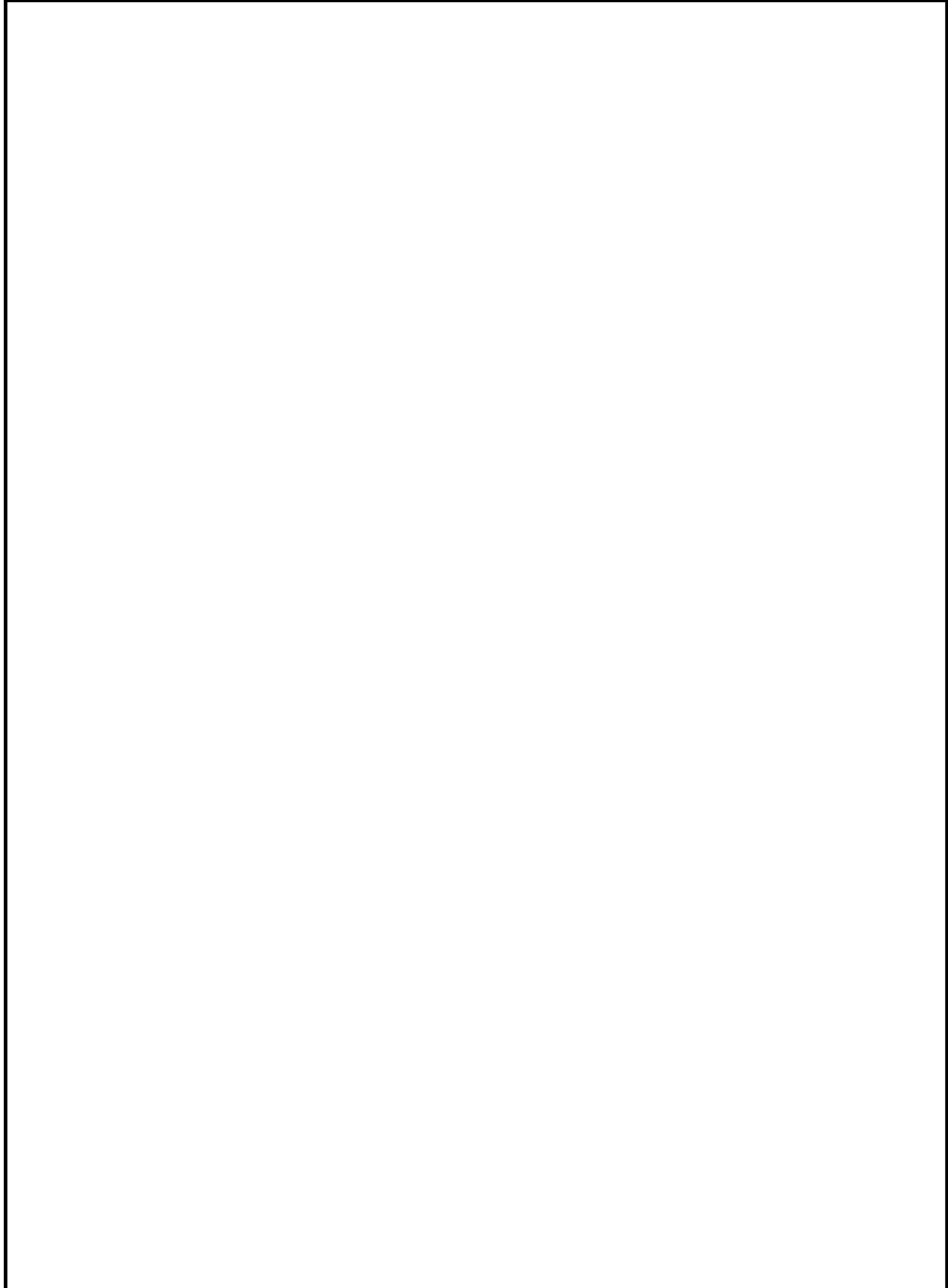
Date		CASING AND RELATED PARTS		Page
2000-06				11
Fig.	Qty	Part No.	Description	Notes
1	1	80 583 53	Sound insulation	
2	1	80 600 41	Sound insulation profile	
3	1	80 575 26	Guard plate	
	4	89 003 52	Screw	RTS ST 4.2x13
4	1	80 707 43	Felt, kick plate	
5	1	80 597 58-	Kick plate	-0, -29, -81
	2	89 009 44-	Screw, kick plate	-0, -29, -81
6	1	80 706 15	Sealing strip	
	1	80 571 00-	Lower cover	-S-0, -S-29, -95
	2	89 003 52	Screw	RTS ST 4.2x13
	4	80 097 69-	Plug for decorframe	-0, -33
8	1	80 706 12	Sound insulation	
9	1	80 584 86	Drip protection for guard plate	
10	2	80 575 49	Bracket, kick plate	
11	2	80 575 50	Spring, kick plate	
	2	89 003 27	Screw	RTS ST 4.2x13 FZB T20

Date 2000-06	<b>CONTAINER AND RELATED PARTS</b>	Page 12
-----------------	------------------------------------	------------



Date		CONTAINER AND RELATED PARTS		Page
2000-06				13
Fig.	Qty	Part No.	Description	Notes
2	1	80 600 65	Sealing strip, top casing, left	
	1	80 600 65	Sealing strip, top casing, right	
3	1	80 574 89	Tub seal	
4	1	88 010 98	Lock catch compl.	
5	2	80 579 78-	Ball catch	-77
6	2	80 586 38-	Ball bearing holder, guide rail	-77
7	8	80 579 77	Ball bearings	
8	2	80 579 79-	Basket stop	-77
9	2	80 570 52	Guide rail	
10	1	80 600 33	Sound insulation	
11	4	89 011 10	Screw + O-ring	A2-M6x12 T30
12	1	80 570 77	Heating element	1400 W 120 V
	1	80 602 58	Cable holder	For heating
	2	80 023 70	Protection collar, heating	
13	2	80 583 52	Sound insulation	
14	1	80 584 95	Cable holder, door	
15	1	80 701 42	Cable holder	
16	1	80 025 79	Thermostat	Overheat protection
17	1	80 597 61-	Strip side, left	-0, -29, -95
	1	80 597 62-	Strip side, right	-0, -29, -95
	4	89 006 46	Screw	A4 RTS 4.2x13 T20
	2	89 003 52	Screw	RTS ST 4.2x13
18	2	80 706 14	Sealing strip	
19	1	80 575 23	Bottom outer (base pan)	
	2	89 011 04	Screw, casing - bottom	A2-MRT-TT 4x8 T20
20	2	80 584 91-	Door springs compl.	-77
21	1	80 704 95	Mount inlet valve	
	2	89 003 27	Screw	RTS ST 4.2 x 13 FZB T20
22	1	80 602 55	Mount, electrical connection	
23	1	80 599 91	Cable holder	
24	1	80 069 48	Grommet	
25	1	80 585 58	RFI filter	
26	1	80 502 51	Terminal block	3-pole
	1	89 003 57	Screw, terminal block	RTS ST 4.2x25 FZB T20
	1	89 021 31	Screw, grounding terminal block	MRT-TT 4x6 FZB T20
	1	89 014 13	Washer	AZ 4.3 FZB
27	2	80 600 38	Sound insulation, outer bottom	
28	4	80 721 19	Reinforcement washer	
29	4	80 570 62	Leveling leg	M10x100, 8.8 FZB
30	4	89 011 56	Nut	M6M10 BH8 FZB
31	2	80 519 57	Slide foot, rear only	

Date 2000-06	<b>DOOR</b>	Page 14
-----------------	-------------	------------

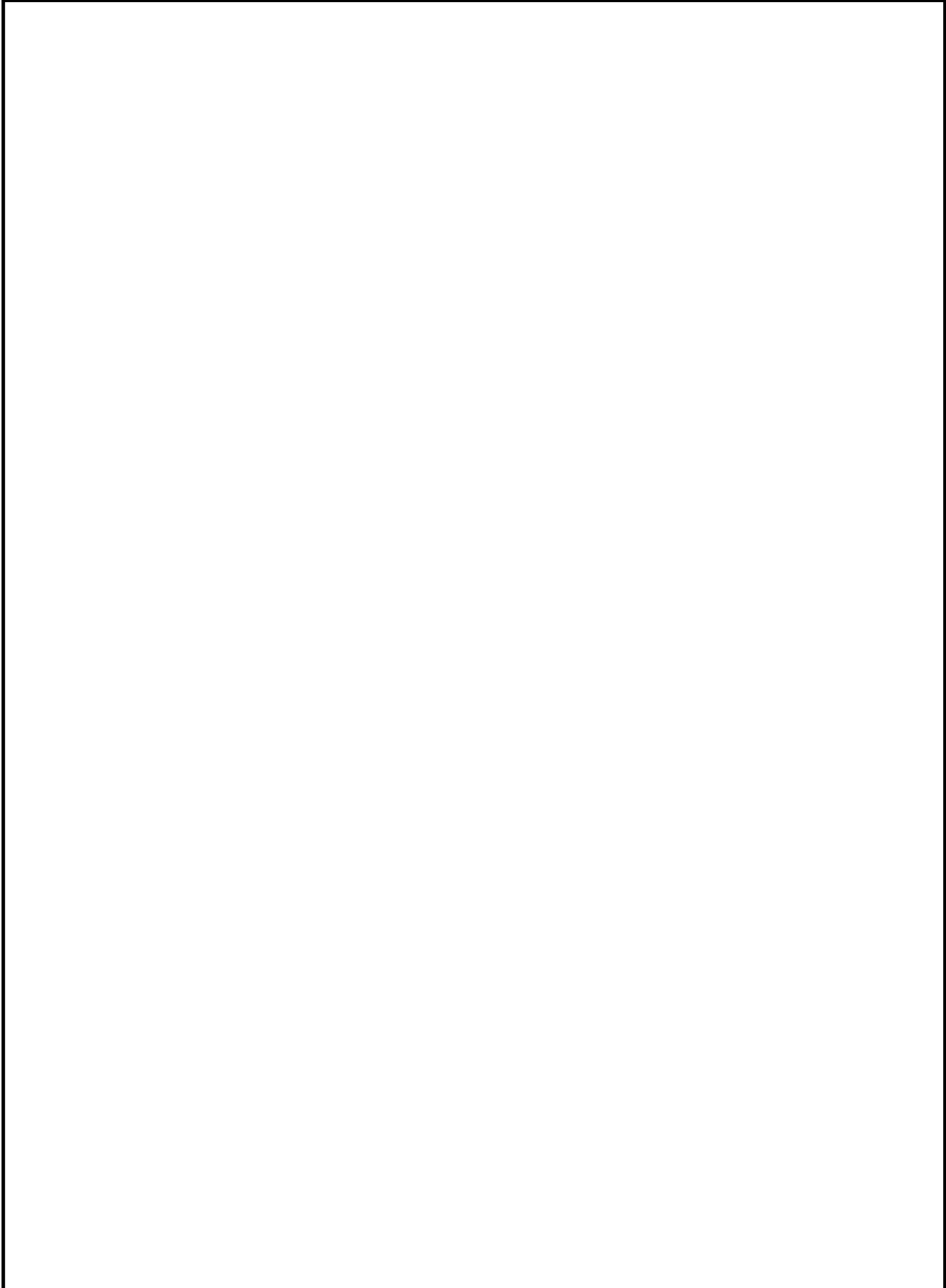


Date				Page
2000-06		<b>DOOR</b>		15
Fig.	Qty	Part No.	Description	Notes
1	1	80 527 78	Wax motor	
2	1	80 585 01	O-ring	
3	1	80 600 21	Fan, compl.	
4	1	80 579 63-	Air channel, turbo dry	-S
5	1	80 727 29-	Nozzle, air channel	-0, -33
6	1	88 011 18	Inner door compl.	
	4	89 021 20	Screw	A2-MKFT 5x10-TT FZB
7	1	80 579 64	Lock ring, fan casing	
8	1	80 584 84	Cover plate, fan	
	2	89 020 85	Screw, fan cover plate	A2-PTK 40x10 WN1452
9	1	80 706 80-	Combi-dispenser	-77
	6	89 020 87	Screw	PTK 40x14 WN1452 FZB
	1	80 719 17	Rinse aid cap	
	1	80 719 18	Combi-dispenser lid	Incl. seal and spring
10	1	80 575 25	Hinge, left	
	1	80 575 24	Hinge, right	
	2	80 575 30	Hinge screw	
	2	33500262	Nut, hinge bearing, locking	4 BH8 FZB
11	2	80 579 48	Slide washer, hinge bearing	
12	1	80 715 87	Holder, cable harness	
	1	89 021 31	Screw, cable harness holder	MRT-TT 4x6 FZB T20
13	1	80 584 87	Stay, air channel	
14	1	80 579 85	Brace stand	
	2	89 006 46	Screw, lower stay	A4 RTS 4.2x13 T20
15	1	80 602 54	Door seal, lower	L=555 mm
16	1	80 702 94	Sound insulation	
17	1	80 579 86-	Door outer part	-S-0, -S-29, -95
	6	89 006 46	Screw	A4 RTS 4.2x13 T20
	2	89 003 27	Screw	RTS ST 4.2x13 FZB T20
	2	80 561 17-	Screw	-29
	6	80 097 69-	Plug for decor frame	-33

Date  
2000-06

**CONTROL PANEL**

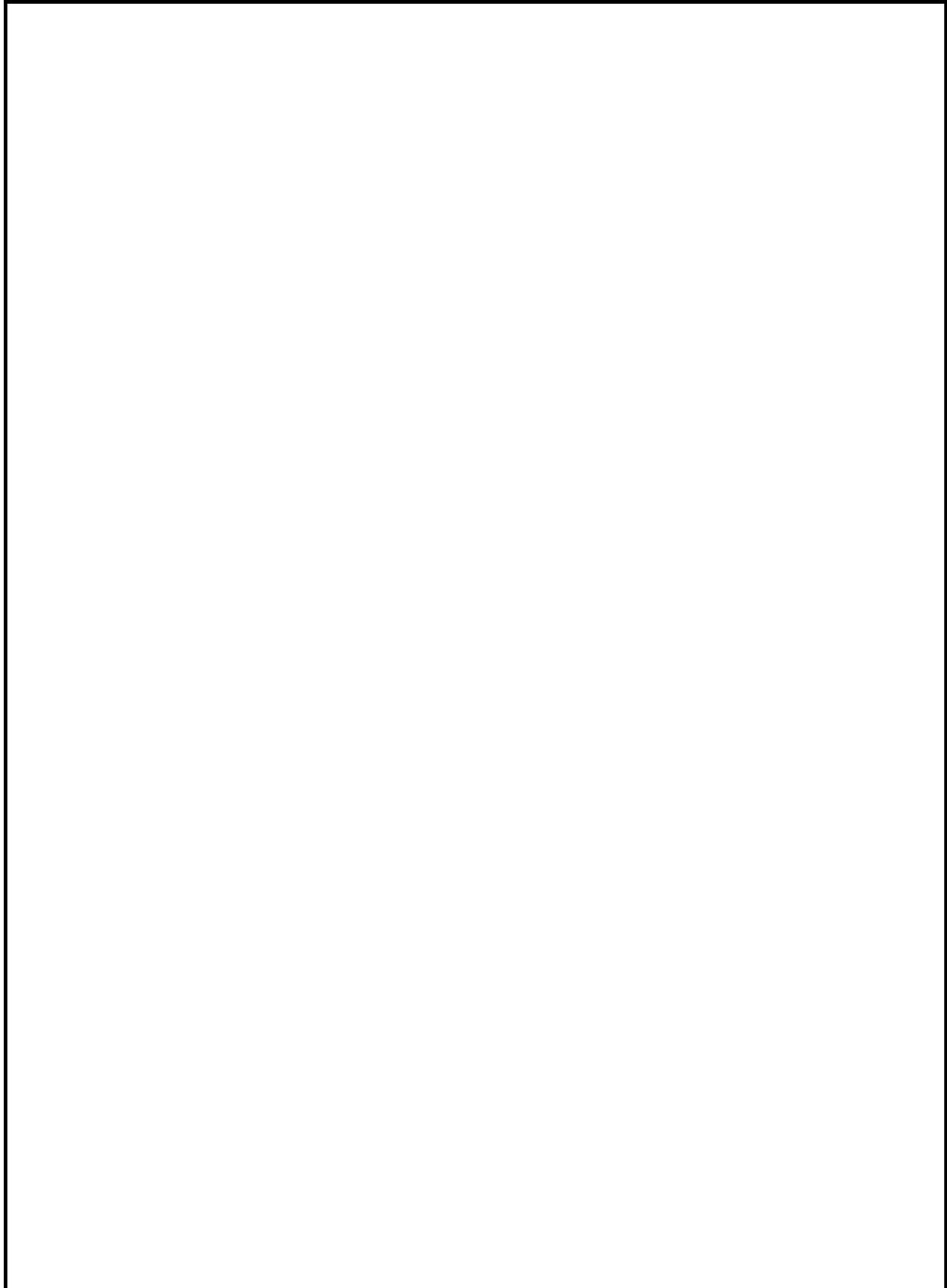
Page  
16





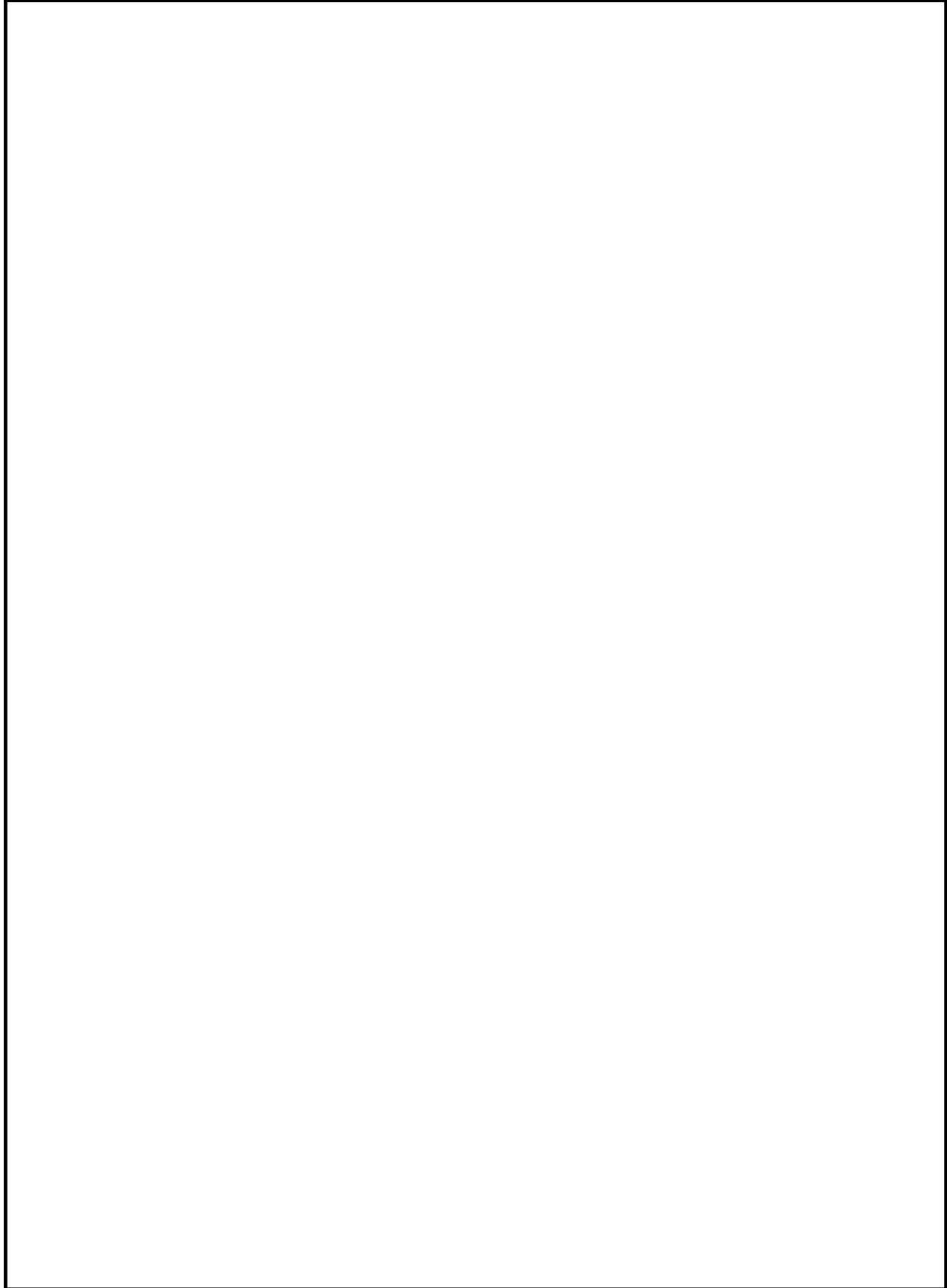
Date		<b>CONTROL PANEL</b>		Page
2000-06				17
Fig.	Qty	Part No.	Description	Notes
1	1	80 575 41-	Handle	-0, -33, -81
2	1	80 575 45	Safety catch	
3	1	80 575 46	Spring, safety catch	
4	1	80 575 44	Control arm, safety catch	
5	1	80 575 39	Holder, handle assembly	
	2	89 020 85	Screw	A2-PTK 40x10 WN1452
	2	89 020 87	Screw	PTK 40x14 WN1452 FZB
6	1	80 710 98	Cover, microswitch	
7	1	80 554 73	Microswitch	
8	1	80 575 42	Control pin, microswitch	
9	1	80 070 78	Spring, handle	
12	1	80 575 37-	Front panel	-0, -69, -81
13	1	80 575 38-	Backing for decor plate	-0, -69, -81
	1	89 020 92	Screw	PTK 40x25 WN1452 FZB
14	1	80 734 09-	Decor insert	-0, -33, -81
15	1	80 600 76	Contact cover	
16	1	88 012 01	Control unit	
	2	89 020 53	Screw	PTK 40x45/15 FZB T20
17	1	80 597 67	Thermistor	
18	1	80 734 57	Cable harness complete	
	1	80 730 96	Use and Care Guide	

Date 2000-06	<b>DISHWASHING SYSTEM</b>	Page <b>18</b>
-----------------	---------------------------	-------------------



Date		DISHWASHING SYSTEM			Page
2000-06					19
Fig.	Qty	Part No.	Description	Notes	
1	1	80 713 37-	Cup shelf, wine glasses	-36	
2	1	80 011 99-	Upper basket, w/wheels	-36, with cup shelf	
	1	80 727 64-	Glass support, adjustabe	-36	
3	1	9- 570 58-	Knife tray , upper cutlery basket	-36	
4	1	80 533 76-	Upper cutlery basket	-36	
5	1	80 575 05-	Knife stand, upper cutlery basket	-77	
6	1	80 725 50-	Cup shelf, divided	-36	
7	1	80 575 02	Glide mount 1 for upper cutlery basket		
8	1	80 584 53	Glide mount 2 for upper cutlery basket		
9	1	80 575 03-	Grommet, spray pipe, upper	-77	
10	1	80 575 00	Upper spray pipe		
11	1	80 575 04-	Grommet, spray pipe, lower	-77	
12	1	80 575 36-	Lock ring, air break	-77	
13	1	80 585 04	O-ring, inlet air break		
14	1	80 575 14	Air break		
15	1	80 597 40	Strainer, upper part		
16	4	80 584 98-	Basket wheel, upper	-77	
18	1	88 010 89-	Cutlery basket	-77	
19	1	88 012 00-	Lower basket	-36	
20	8	80 095 16-	Basket wheel, lower	-77	
21	1	80 584 93-	Lower basket insert	-36	
22	1	80 703 04	Outlet hose		
23	1	80 726 95	Spray arm, upper		
24	2	89 012 62	Nut, spray arm bearing		
25	2	80 520 95	Washer, spray arm bearing		
26	2	80 570 70-	Spray arm bearing	-77	
27	1	80 570 68-	Spray pipe bearing, upper	-77	
28	1	80 570 63	Spray pipe		
29	2	80 521 89	Hose clip, inlet valve	17.0-706	
30	1	80 585 02	Rubber hose, inlet valve		
31	1	80 721 23	Inlet valve		
	2	89 020 87	Screw	PTK 40x14 WN1452 FZB	
32	1	80 726 92	Spray arm lower		
33	1	80 570 67-	Spray pipe bearing, lower	-77	
34	1	89 017 55	O-ring, lower spray pipe bearing		
35	1	80 570 69	Nut, spray pipe bearing		
36	2	80 574 84	Hose, circulation pump		
37	4	80 520 97	Hose clip, circ. pump hose	44.0-708	
38	1	80 550 95	Rubber buffer, circ. pump		
39	1	80 710 24	Level switch (pressure)		
40	1	80 570 53	Float, base pan		
41	1	80 600 68	Microswitch float		
42	1	80 585 00	Rubber hose	5x8x340	
43	1	88 011 23-	Base pan, sump	-77	
44	1	80 585 03	O-ring, base pan, sump	109.5x3	
45	1	80 025 84	O-ring, outlet pump	49.5x3	
46	1	80 574 87-	Cover plate	-33	
47	1	80 720 32	Outlet pump		
48	1	80 522 39	Hose clip	31.6-708	
49	1	80 574 88	Lock ring, bottom well, sump		
50	1	80 584 54	Cover plate		
51	1	80 579 72-	Filter basket, coarse	-77	
52	1	80 574 86-	Insert, filter basket	-77	
53	1	80 712 50	Circulation pump		

Date <b>2000-06</b>	<b>INTERIOR LIGHT</b>	Page <b>20</b>
------------------------	-----------------------	-------------------



Date		<b>INTERIOR LIGHT</b>		Page
2000-06				21
Fig.	Qty	Part No.	Description	Notes
1	1	80 530 86	Lock ring, glass	UL
2	1	89 017 63	O-ring	65.5x3
3	1	80 530 87	Lamp cover	UL
4	1	80 549 15	Lamp holder	
5	1	80 549 16	Lamp reflector	
6	2	89 015 92	Clip, lamp cover	
7	1	80 551 48	Lamp	
	1	89 012 42	Nut	M6M 4
	1	89 014 13	Washer	AZ 4.3 FZB
	1	89 010 97	Screw	MRT-TT 4x10 FZB T20
8	1	80 599 68	Cable channel	
9	1	80 584 69	Micro switch	
10	1	80 549 07	Bracket, lamp switch	
	1	89 020 87	Screws	PTK 40x14 WN1452 FZB





Date  
**2000-06****SERVICE INFORMATION**Page  
**22**

Product: DW95

Date: 98-03-12

**TOPIC: DOOR SPRINGS**

There are three different sets of door springs, as defined below:

<b>Part Number</b>	<b>Machine</b>	<b>Weight Capacity</b>	<b>Color Coding</b>
80 584 91-77	For all standard machines	9 lbs.	none
80 602 32-77	For integrated and fully-integrated machines	12 lbs.	yellow
80 713 23-77	Heavy-duty for wooden panels, available as accessory part	22 lbs.	red



Color code



Product: DW95

Date: 98-03-13

**TOPIC: WATER LEVEL**

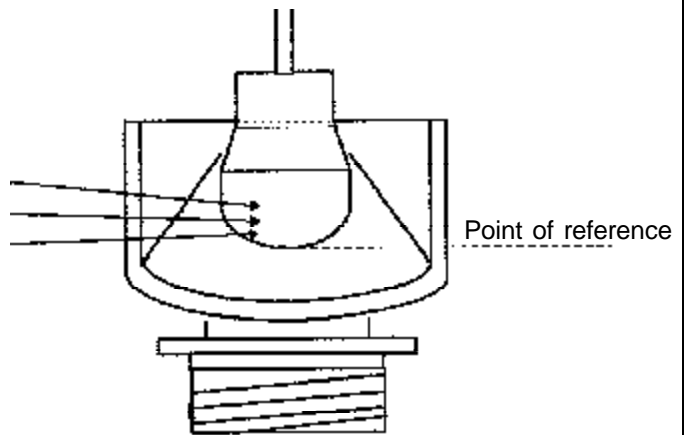
Switch level transferred to measuring points on the coil arm bearing.

**Timer-controlled machines**

Water flow inlet valve = 3.8 +/- 5% ltr / min

Intake time = 60 seconds

- Max. tol. 3.8 +5% = 3.9 ltr    +3 mm
- Max. tol. 3.8 +/- 5% = 3.9 ltr    +2 mm
- Max. tol. 3.8 -5% = 3.9 ltr    +1 mm

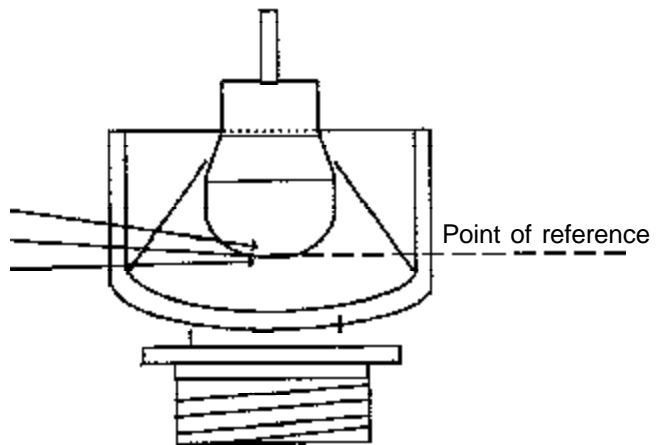


**Electronic machines**

Water flow inlet valve = 3.8 +/- 5% ltr / min

Intake time = 57 seconds

- Max. tol. 3.8 +5% = 3.7 ltr    +1 mm
- Max. tol. 3.8 +/- 5% = 3.51 ltr    +0 mm
- Max. tol. 3.8 -5% = 3.3 ltr    -1 mm



**Note:** Start with dry bottom well, which gives a 2mm lower level.

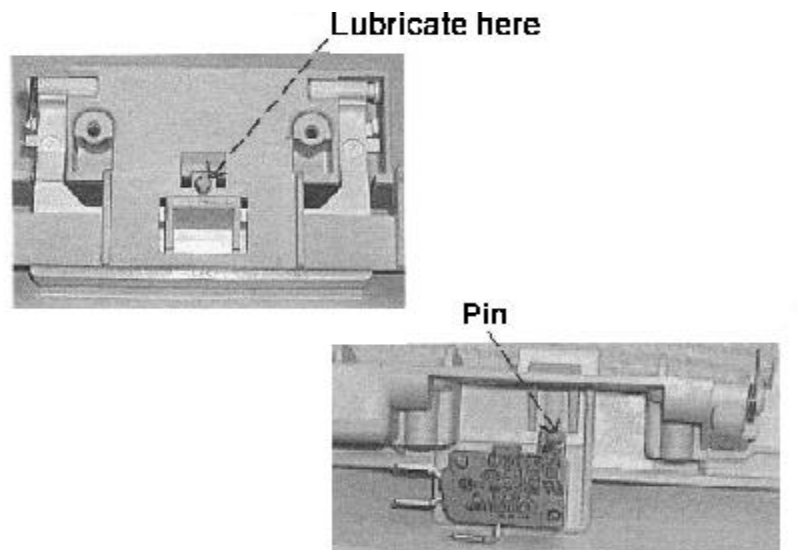
Date  
**2000-06****SERVICE INFORMATION**Page  
**24**

Product: DW95

Date: 98-03-13

**TOPIC: GUIDE PIN FOR DOOR LOCK**

Occasionally, the guide pin for the door lock may freeze or become stuck, causing the machine not to stop when the door is opened. To prevent this, you can lubricate the guide pin with petroleum jelly.



Date <b>2000-06</b>	<b>SERVICE INFORMATION</b>	Page <b>25</b>
------------------------	----------------------------	-------------------

Product: DW95

Date: 98-03-13

**TOPIC: CONTROL UNIT FAILURE ANALYSIS**

To prevent repeated exchanges of control units due to failures in auxiliary components (circulation pumps, inlet valves, etc.), a simple check on the control unit should be done to determine what cause the failure.

If any of the control unit components listed below or the conductive pattern (copper foil on the soldering side) near these components are damaged, most likely the external component caused the failure and should be ohm-measured. In the case of short-circuits, the components should be exchanged along with the control unit.

<b>External Component</b>	<b>Associated Output Components</b>
Heater	K1, PF2
Drain pump	K2, P1 5
Circulation pump	K3, P1 3
Inlet valve 1	Q13, R36, R52, D22, D24, P1 7
Inlet valve 2	Q6, R43, R55, D26, D27, P1 8
Combi-dispenser	Q12, R50, R58, D21, D23, P2 3
Fan and wax motor	Q16, R46, R56, D18, D19, P3 3
Interior light	P4 3 (after 9740, the lamp is not connected to the control unit.)

K=Relay  
Q=Triac  
R=Resistor  
D=Diode  
P=Connector

**Note:** Once the wax motor has dried out, it is not possible to measure for faults. Remove the wax motor and check for burn marks. For complete certainty, replace the wax motor.

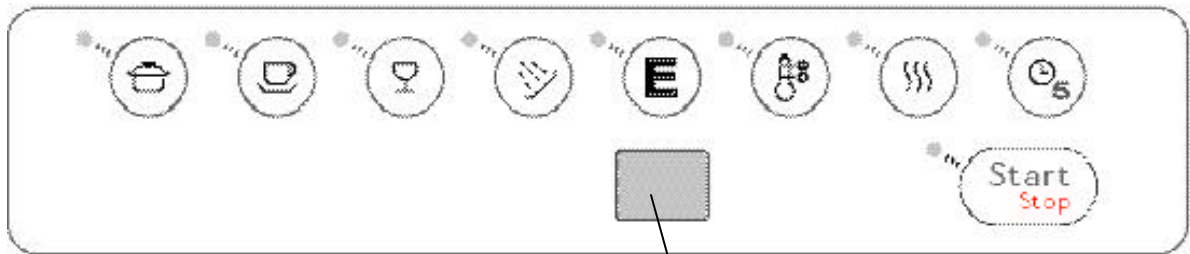
Product: DW95

Date: 95-10

**TOPIC: REMAINING TIME INDICATION**

Dishwashers with an LED window show how much time remains for the program to run. This is calculated on the assumption that the incoming water is at a temperature of 141°F (60°C).

If the machine is connected to a cold water supply, the time display for the remaining time will be incorrect the first time each program is run. On subsequent runs of the respective programs, the machine will calculate the time based on how long the program took on the previous run.



Remaining time displays in  
the LED window.