

DishDrawer®

USA & Canada

Models

Service version B

**DD603
DD603H
DD603FC
DD603HFD**

**DS603
DS603H
DS603FC
DS603HFD**



Contents

Front Panels / Controls: Prefinished models	6
Front Panels / Controls: Flat door models	8
Cabinet	10
Lid and Link Assembly	14
Tubs and Components	16
Baskets and Racks	20
Installation Components	22
Notes	24

Fisher & Paykel Appliances Inc
5900 Skylab Road
Huntington Beach
CA 92647
USA
Phones:
1 888 936 7872 (F&P)
1 888 396 2665 (DCS)

PRODUCTS

Brand Fisher & Paykel
Voltage 110 V 60 Hz

Model	Description	Product code – service version
DD603	Double, brushed stainless	88445-B
DD603H	Double, brushed stainless, water softener	88443-B
DD603FC	Double, brushed stainless, flat door, curved handle	88449-B
DD603HFD	Double, brushed stainless, water softener, flat door, designer handle	88458-B
DS603	Single, brushed stainless	88446-B
DS603H	Single, brushed stainless, water softener	88444-B
DS603FC	Single, brushed stainless, flat door, curved handle	88450-B
DS603HFD	Single, brushed stainless, water softener, flat door, designer handle	88459-B

Guide to using this manual

Models covered

The models covered by this manual are listed on the front cover. The codes listed on the products page are the variations within each model.

The front cover picture indicates the type of product. It may not be an exact image of the models covered in the manual.

Updates

As part of Fisher & Paykel's ongoing attention to quality, the information in this manual changes. Fisher & Paykel regularly publish updates to the parts manuals on the Cool Blue World website. The latest edition (shown by date and letter) replaces any earlier editions. New editions are advised in the Technical Bulletins.

Finding parts information

Model column

The letter codes in the 'Model' column indicate which model/s use the part being described. If there are no letters, then the part is common to all models.

Abbreviations used in model column

C = curved handle
 D = designer handle
 DD = double DishDrawer®
 DS = single DishDrawer®
 F = flat door
 H = water softener feature

Key to parts information

<i>Parts in italics</i>	Indicates kit component parts that are available as separate items.
No part number given	Indicates kit component parts that are not available as separate items.
*	Indicates a Technical Bulletin or a note exists for the part The Notes section at the end of the manual gives the Technical Bulletin reference, or the note.
NI	Indicates the part is not illustrated on the diagram. Some items eg screws, are shown as NI under the part/s they are associated with.
NOT USED	Indicates the diagram part reference is not used in this manual.

Abbreviations used in part description column

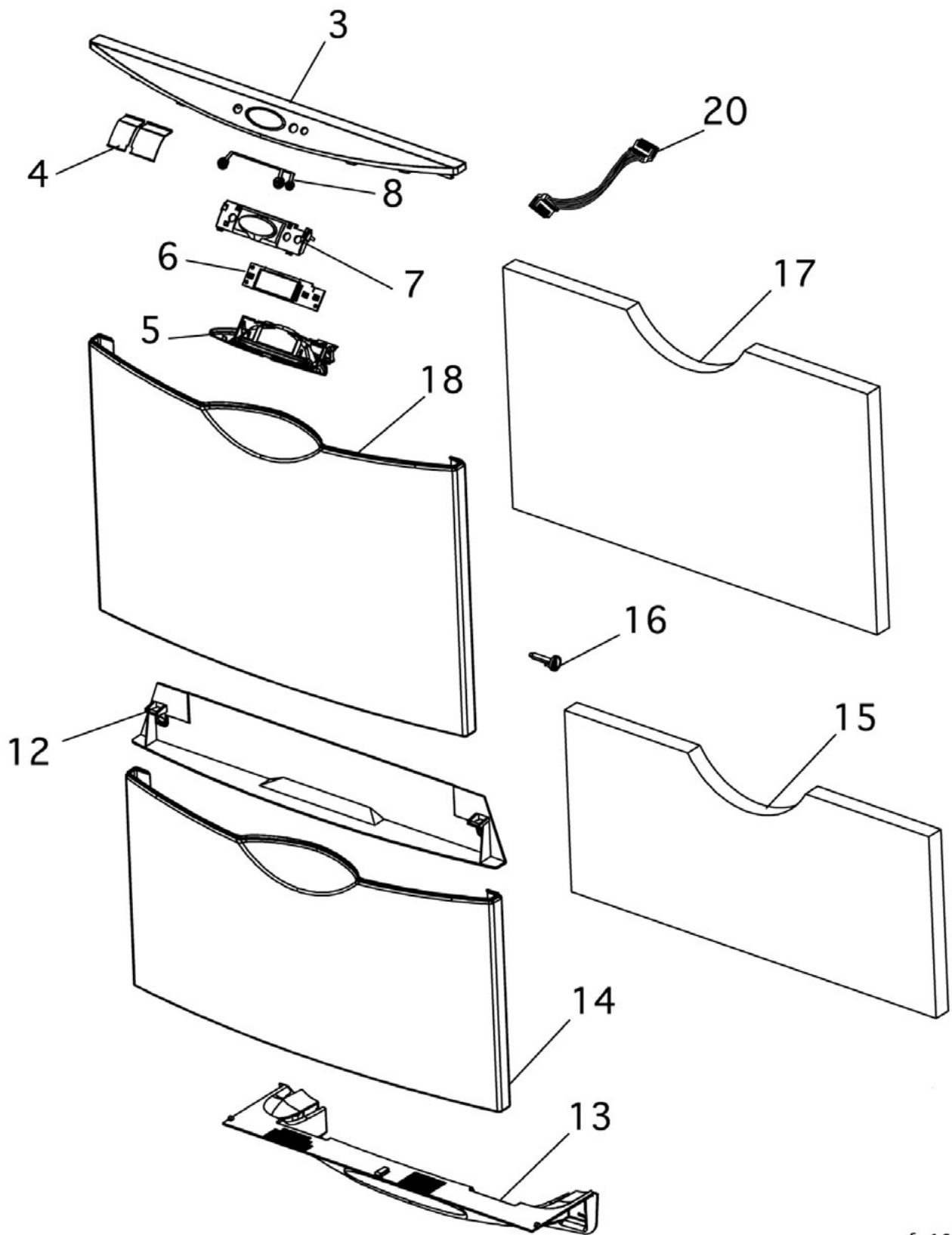
US = USA

Additional information

Fisher & Paykel regularly publish Technical Bulletins, which give more details on product changes. To read these bulletins, go to the Cool Blue World website on <http://cbw.fp.co.nz>

The Technical Bulletins relating to the parts in this manual are listed in the Notes section at the end of the manual.

FRONT PANELS / CONTROLS: PREFINISHED MODELS

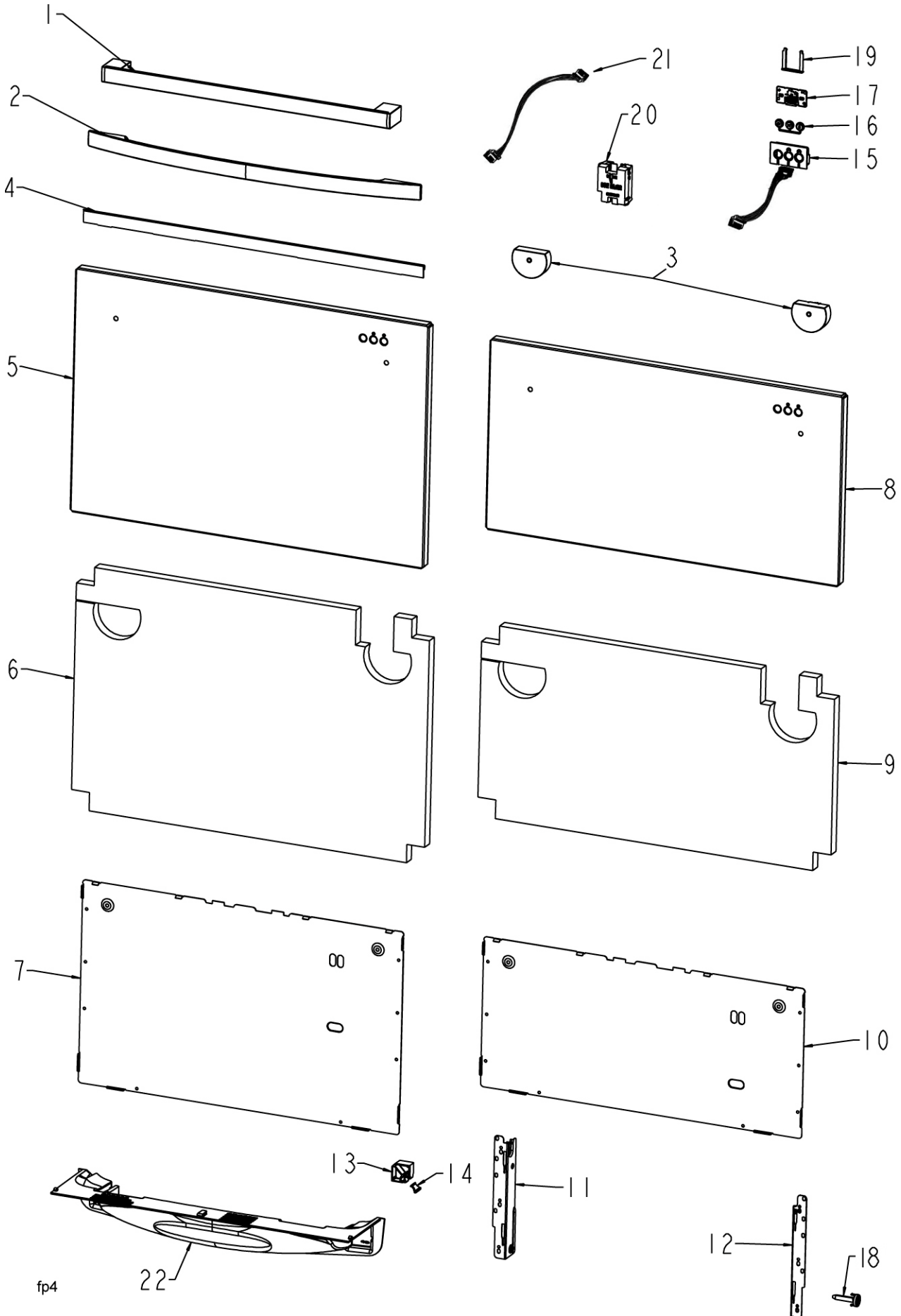


fp10

FRONT PANELS / CONTROLS: PREFINISHED MODELS

Ref	Part	Description	Model
3	528525	HANDLE LCD PREFINISH SS PAINTED	
4	526627	SEAL LCD	
5	526211	HOUSING LCD BACK PH3	
6	528044NP	LCD BOARD HEAT 3M PH3.5	
7	526212	HOUSING LCD FRONT PH3	
8	526454	BUTTONS CONTROL SS PH3	
12	527308	KIT DOOR INSERT	
	527178	<i>INSERT DOOR LOWER</i>	
	527179	<i>INSERT DOOR UPPER</i>	
13	525950	COWLING TUB	
14	* 528957P	DOOR LWR ASSY 430SE PH3 US	DD
15	526655	INSUL DOOR LOWER US	DD
16	525010	PIN DOOR	
17	526653	INSUL DOOR UPPER	
18	* 528954P	DOOR UPR ASSY 430SE FP PH3	
20	526753	HARNESS LCD	

FRONT PANELS / CONTROLS: FLAT DOOR MODELS

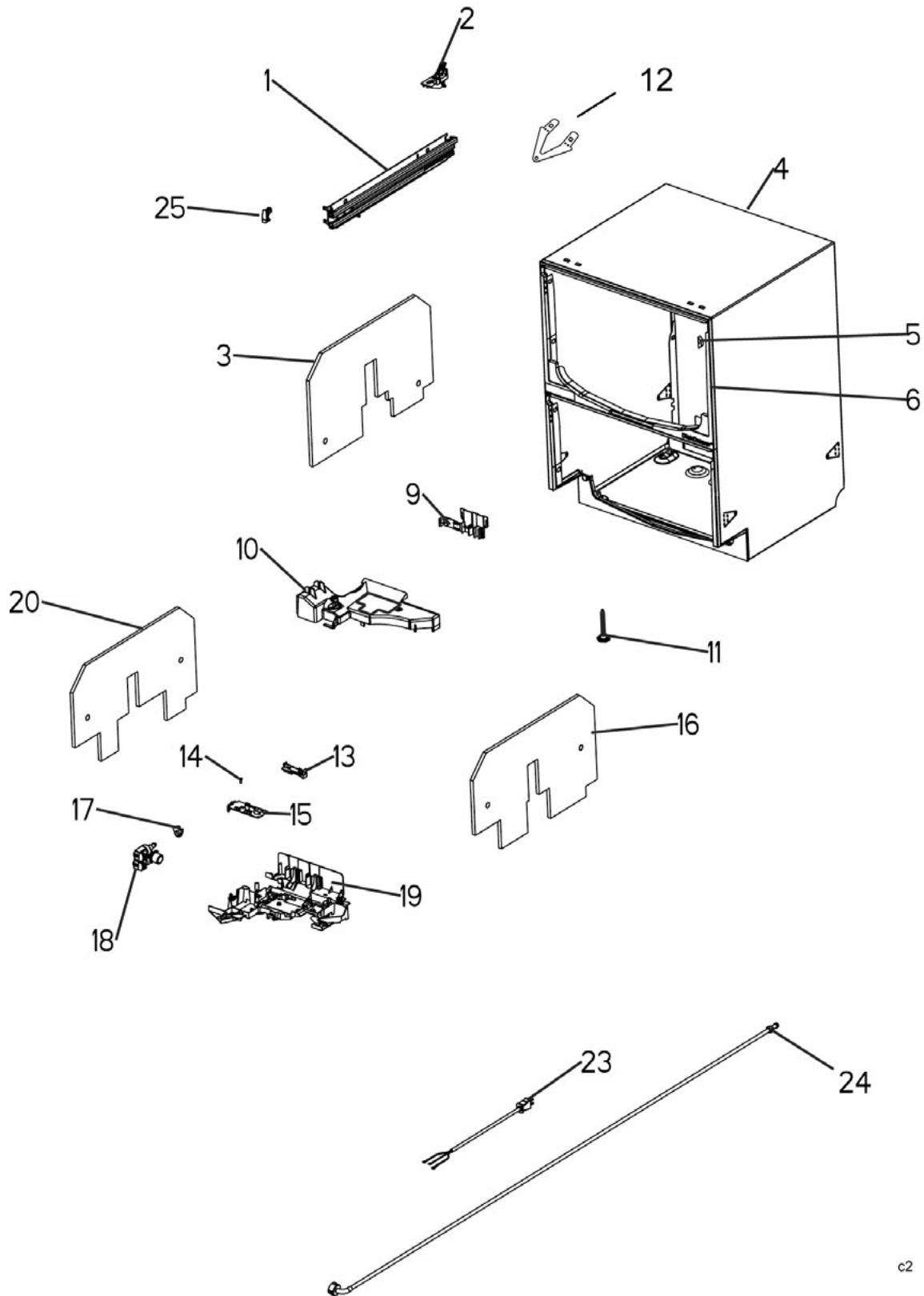


fp4

FRONT PANELS / CONTROLS: FLAT DOOR MODELS

Ref	Part	Description	Model
1	527645	HANDLE DESIGNER DD	HFD
2	527646	HANDLE CURVED DD	FC
3	528493	PLATE SUPPORT HANDLE	
NI	528691P	SCREW MC M5X25 PN NIB PH (PKT2)	
4	* 527586	KIT INTEGRATED DOOR SEAL	
5	* 528967	DOOR FLAT UPR ASSY 430SE FP	
6	527431	DOOR FLAT INFILL UPPER	
7	527687	DOOR FLAT UPPER REAR	
NI	556011P	SCREW ST 8X3/8 TAB MSH PH (PKT 10)	
8	* 528969	DOOR FLAT LWR ASSY 430SE US	DD
9	527666	DOOR FLAT INFILL LOWER US	DD
10	527685	DOOR FLAT LOWER REAR US	DD
NI	556011P	SCREW ST 8X3/8 TAB MSH PHP (PKT 10)	
11	526394	BRACKET INTEGRATED SHIELD LH	
12	526395	BRACKET INTEGRATED SHIELD RH	
NI	556011P	SCREW ST 8X3/8 TAB MSH PH (PKT 10)	
13	527678	CLIP CORNER FLAT DOOR	
14	527679	OUTER CORNER DOOR FLAT	
15	528607P	BADGE ASSY DESIGNER ROHS	
	528073	<i>HOUSING ASSY BADGE DESIGNER</i>	
		<i>HOUSING BADGE DESIGNER</i>	
		<i>LIGHT PIPES BADGE DESIGNER</i>	
		<i>TAPE BADGE DESIGNER</i>	
	527429	<i>BUTTONS BADGE DESIGNER</i>	
	528762P	<i>DESIGNER BADGE PCB ASSY ROHS</i>	
		<i>HARNESS BADGE PH3.5</i>	
	527691	<i>LOCKBAR BADGE DESIGNER SERIES</i>	
16	527429	BUTTONS BADGE DESIGNER	
17	528762P	DESIGNER BADGE PCB ASSY ROHS	
18	525010	PIN DOOR	
19	527691	LOCKBAR BADGE DESIGNER SERIES	
20	527785NP	BADGE ISOLATOR VERSION 2	
21	526755	HARNESS BADGE ISOLATOR PH3.5	
22	525950	COWLING TUB	
NI	* 527984	KIT DOOR FLAT UPR D HDL SE	
	* 527983	KIT DOOR FLAT UPR C HDL SE	
NI	* 527992	KIT DOOR FLAT LWR D HDL SE US	DD
	* 527991	KIT DOOR FLAT LWR C HDL SE US	DD

CABINET

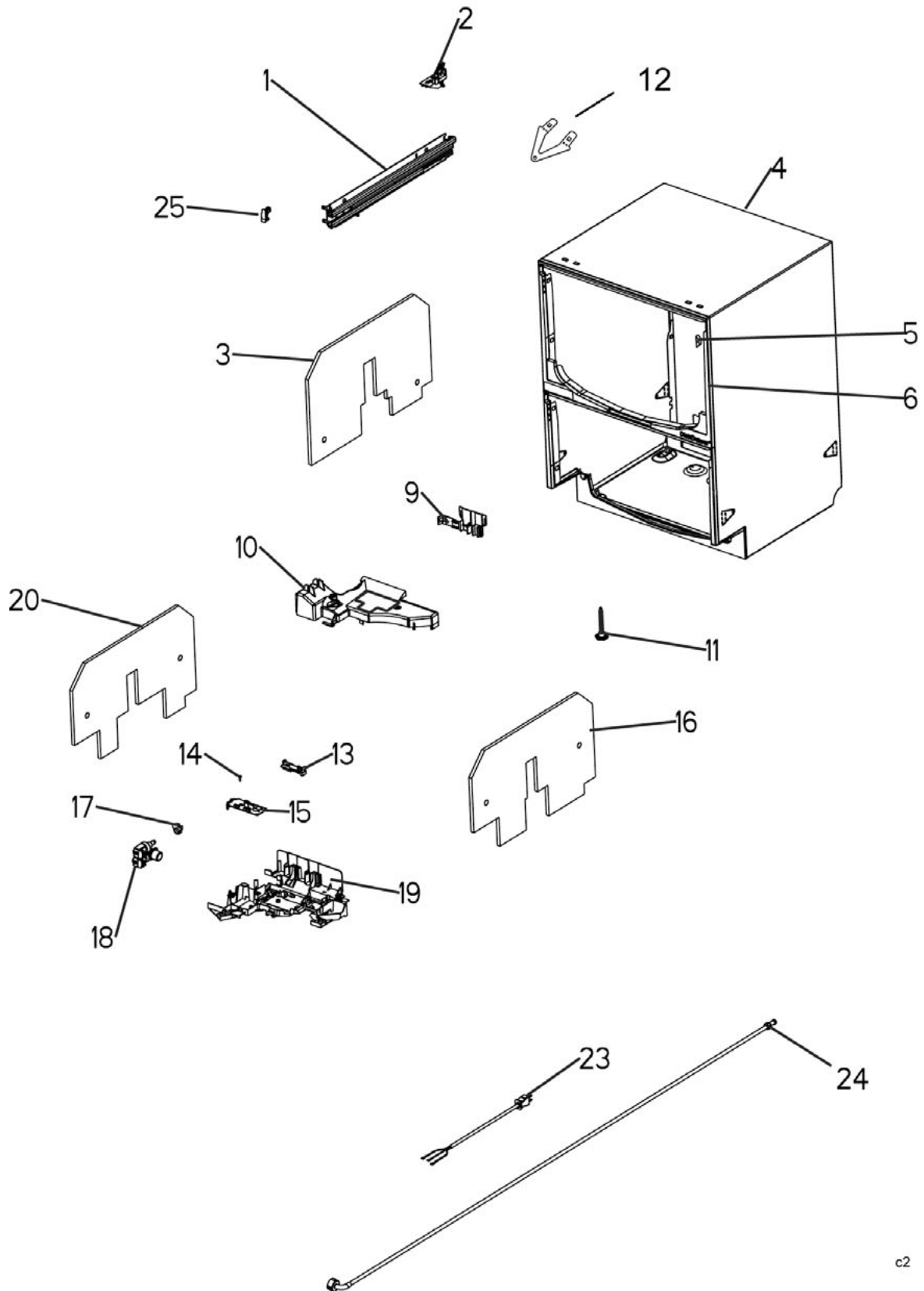


c2

CABINET

Ref	Part	Description	Model
1	526323	SLIDE & BRACKET ASSY LH	
	526324	SLIDE & BRACKET ASSY RH	
NI	556607P	SCREW MC M5X10 TAPTITE (PKT 10)	
2	526128	LATCH ASSY RH	
	526130	LATCH ASSY LH	
3	528821	INSUL CHASSIS TOP / SINGLE RIGHT AUTEX	
4	526756	KIT REPLACE CHASSIS DBL PH3	DD
		CHASSIS DOUBLE ASSY GALV	
	526797	TAB TOP (x 2)	
	526509	FOOT (x 4)	
		TRIM CHASSIS CHARCOAL (UPPER)	
		TRIM CHASSIS KICKSTRIP CHARCL (LOWER)	
	525968	MOUNT LINK TOP	
	526378	PRISM TUB HOME (x 2)	
	526768	KIT REPLACE CHASSIS SGL PH3	DS
		CHASSIS SINGLE ASSY GALV	
	526378	PRISM TUB HOME	
		TRIM CHASSIS CHARCOAL (UPPER)	
5	526378	PRISM TUB HOME	
6	527862	KIT TRIM/SEAL CHARCOAL DD603	DD
		TRIM/SEAL UPPER ASSY CHARCOAL	
		TRIM/SEAL LOWER ASSY CHARCOAL	
	526378	PRISM TUB HOME (x 2)	
	527863	KIT TRIM/SEAL CHARCOAL DS603	DS
		TRIM/SEAL UPPER ASSY CHARCOAL	
	526378	PRISM TUB HOME	
9	525968	MOUNT LINK TOP	DD
10	525977P	LID CHASSIS MODULE	
11	528941	FOOT	DD
12	526797	TAB TOP	DD
13	526250	RETAINER LINK	
14	556624P	SCREW ST M4X16 XTITE HXW (PKT 10)	
15	525959P	MAINS FILTER PH3 US	
16	528820	INSUL CHASSIS BOTTOM LEFT AUTEX	DD
	528819	INSUL CHASSIS BOTTOM RIGHT AUTEX	DD
17	525466	CLAMP HOSE HERBIE TYPE E	

CABINET

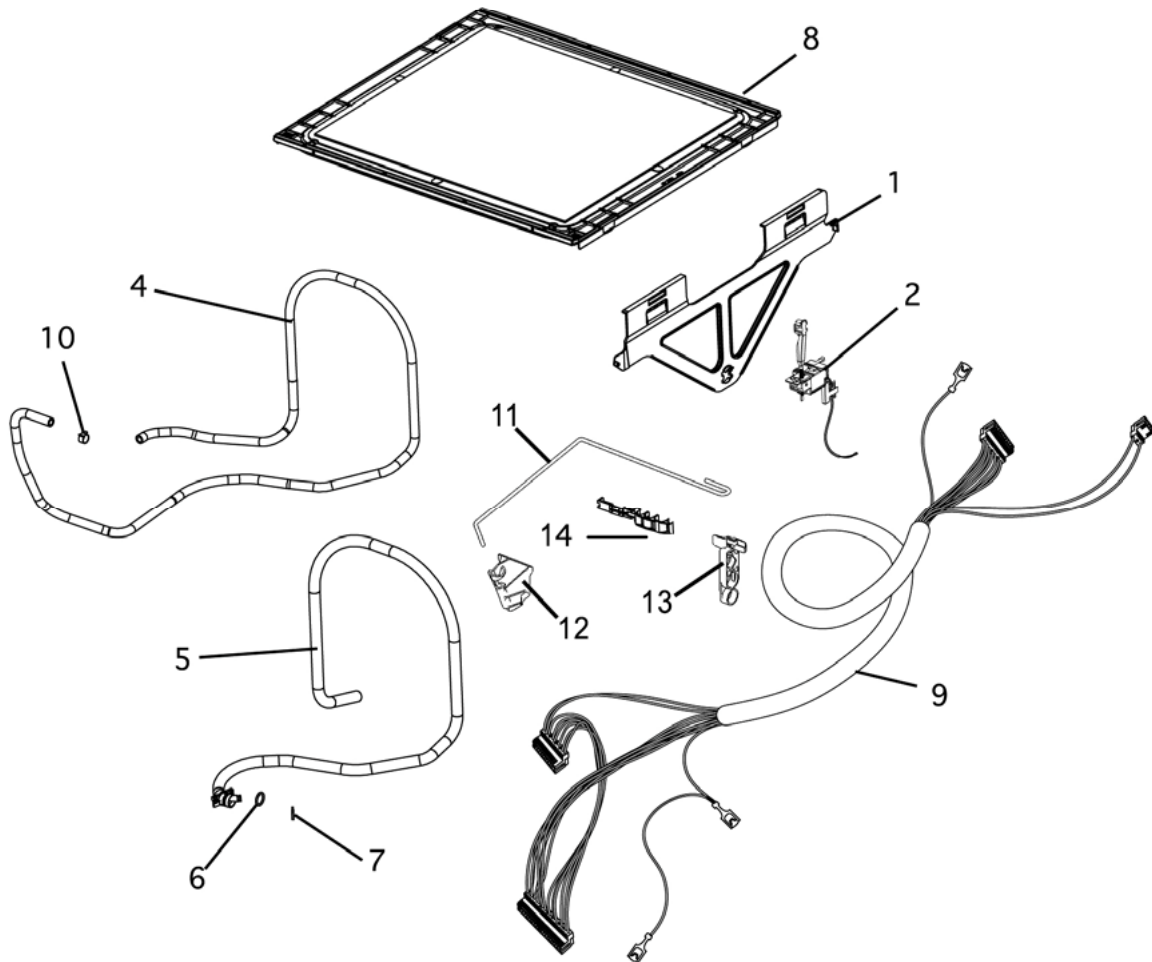


c2

CABINET

Ref	Part	Description	Model
18	526850	VALVE INLET DOUBLE 2.5L	DD
	526851	VALVE INLET SINGLE 2.5L	DS
19	525976	CHASSIS MODULE	
NI	528783P	SCREW ST M3.5X25 PLASTITE (PKT10)	
20	528822	INSUL CHASSIS SINGLE LEFT AUTEX	DS
23	525983	FLEX ASSY MAINS US	
NI	572638	SADDLE TERMINATION STRIP	
NI	556607P	SCREW MC M5X10 TAPTITE (PKT 10)	
24	525970P	HOSE INLET WIRSBO US (PKT 10)	
NI	525938	WASHER WIRSBO US	
NI	526161	ADAPTOR HOSE INLET US	
25	525971	CLIP TUB RELEASE RH	
	525972	CLIP TUB RELEASE LH	

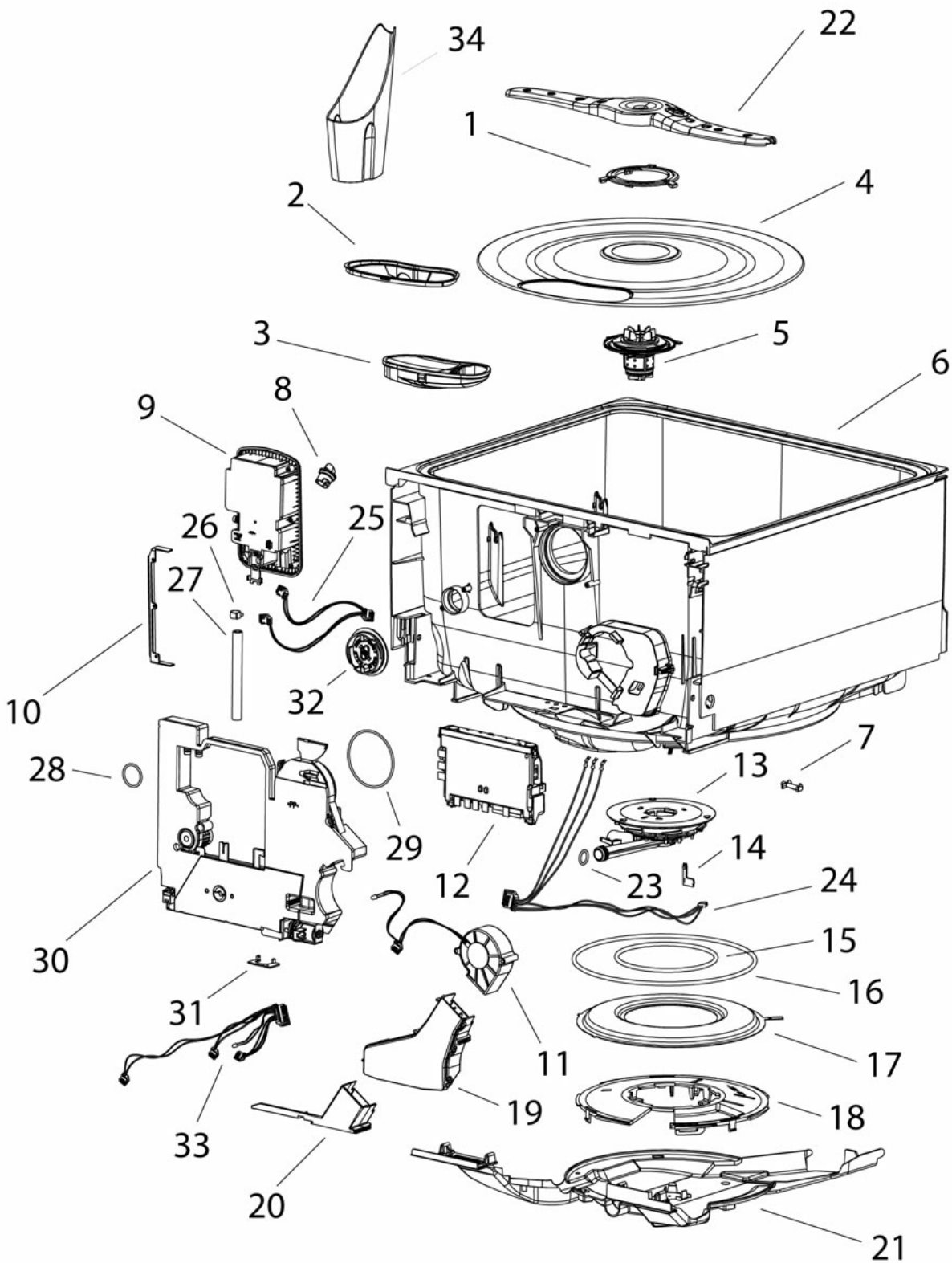
LID AND LINK ASSEMBLY



LID AND LINK ASSEMBLY

Ref	Part	Description	Model
1	* 526186	YOKE LID RIGHT	
	* 526260	YOKE LID LEFT	
2	528112	KIT LID ACTUATORS TOP (PKT 2)	DD
	528113	KIT LID ACTUATORS BOTTOM (PKT 2)	
4	526837	HOSE FILL LOWER	
	526836	HOSE FILL UPPER	DD
5	527137	KIT DRAIN HOSE HOSE DRAIN	
	525940	O RING CUFF SOCKET UL	
NI	525798	KIT DRAIN HOSE EXTENSION 3.6M DRAIN HOSE EXTENSION (x 2)	
	525482	CLIP WIRE DRAIN (x 4)	
	525780	DRAIN HOSE JOINER (x 2)	
NI	* 527394	KIT DRAIN HOSE JOINER	
	525482	CLIP WIRE DRAIN (x 2)	
	525780	DRAIN HOSE JOINER	
6	525940P	O RING CUFF SOCKET UL REC (PKT 4)	
7	525414P	VALVE FLAP (PKT2)	
8	526732P	LID ASSY PH3	
9	526749	HARNESS CHASSIS LOWER	
	526750	HARNESS CHASSIS UPPPER	DD
10	528674	CLAMP HOSE TYPE 12232-17-GT	
11	528095	ROD LINK SUPPORT	
12	528101	BRACKET LINK SUPPORT	
13	528162	CLIP LINK SUPPORT	
14	528537P	CLIP LINK TUB SIDE (PKT 5)	

TUBS AND COMPONENTS

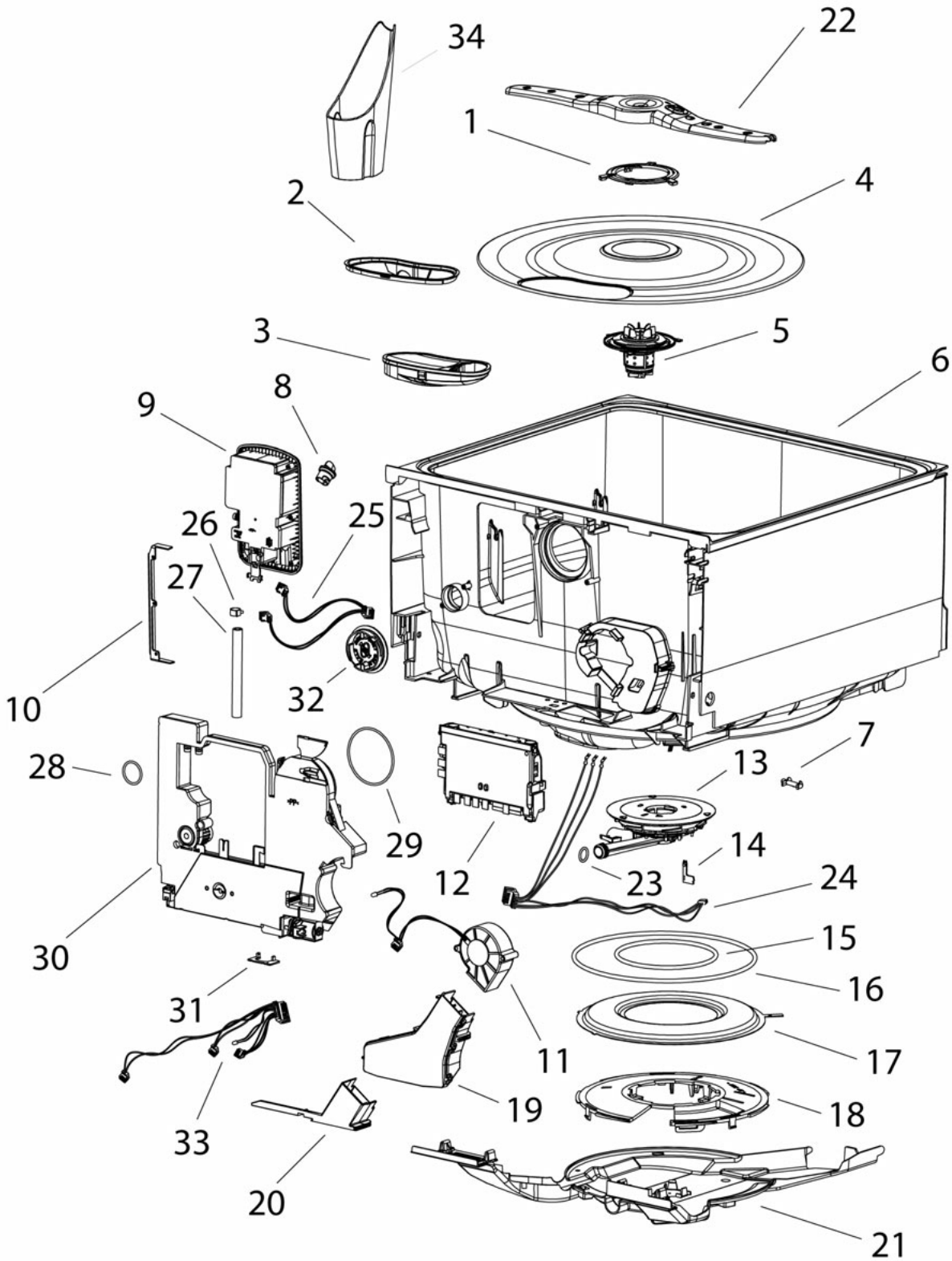


t1

Tubs and Components

Ref	Part	Description	Model
1	526069	LOCK NUT FILTER PLATE	
2	* 527547	KIT DRAIN FILTER TRIM SP	
3	* 527739	DRAIN FILTER ASSY 6MM DIVIDER	
4	527227P	FILTER PLATE ASSY 316 (SP)	
		FILTER PLATE 316	
	527546	<i>DRAIN FILTER TRIM</i>	
	526069	<i>LOCK NUT FILTER PLATE</i>	
5	525884P	MOTOR ROTOR ASSY (SP)	
6	525969	TUB W/ASSY PH3 WHITE QFP TEXT – non water softener	All except H
	526798	TUB W/ASSY PH3 W/SOFT F&P TEXT – water softener	H
7	526623	LIGHT TRANSFER TUBE	
8	527694	BUNG ASSY DISPENSER RINSE AID	
9	526860	KIT DISPENSER	
		DISPENSER DISHDRAWER	
	526789	<i>BRACKET DISPENSER SHORT (x 2)</i>	
NI	556155P	SCREW M3.5X14 PANTX K35 PKT10	
10	526789	BRACKET DISPENSER SHORT	
11	526752	HARNESS & FAN ASSY	
12	528397HUSP	CONTROLLER 525 PH3.5 VER 4	
NI	529041	PANEL CONTROLLER ROHS	
13	* 528042	KIT MOTOR ASSY KIT PH3	
		MOTOR ASSY COMP PH3	
	525940	<i>O RING CUFF SOCKET UL REC</i>	
	525058	<i>SEAL HEATER PLATE/TUB</i>	
	525059	<i>SEAL MOTOR HOUSING</i>	
14	526340NP	HALL SENSOR 525 P3	
15	525059	SEAL MOTOR HOUSING	
16	525058	SEAL HEATER PLATE/TUB	
17	527702	KIT HEATER PLATE PH3 US	
		HEATER PLATE ASSY PH3 US	
	525059	<i>SEAL MOTOR HOUSING</i>	
	525058	<i>SEAL HEATER PLATE/TUB</i>	
18	525162	LOCKING NUT	
19	526278	DUCT TOP ASSY PH3	
20	526279	DUCT BOTTOM PH3	DD
21	525956	COVER WIRING PH3	
22	527475	SPRAY ARM ASSY SLUICING 03 18H	

TUBS AND COMPONENTS

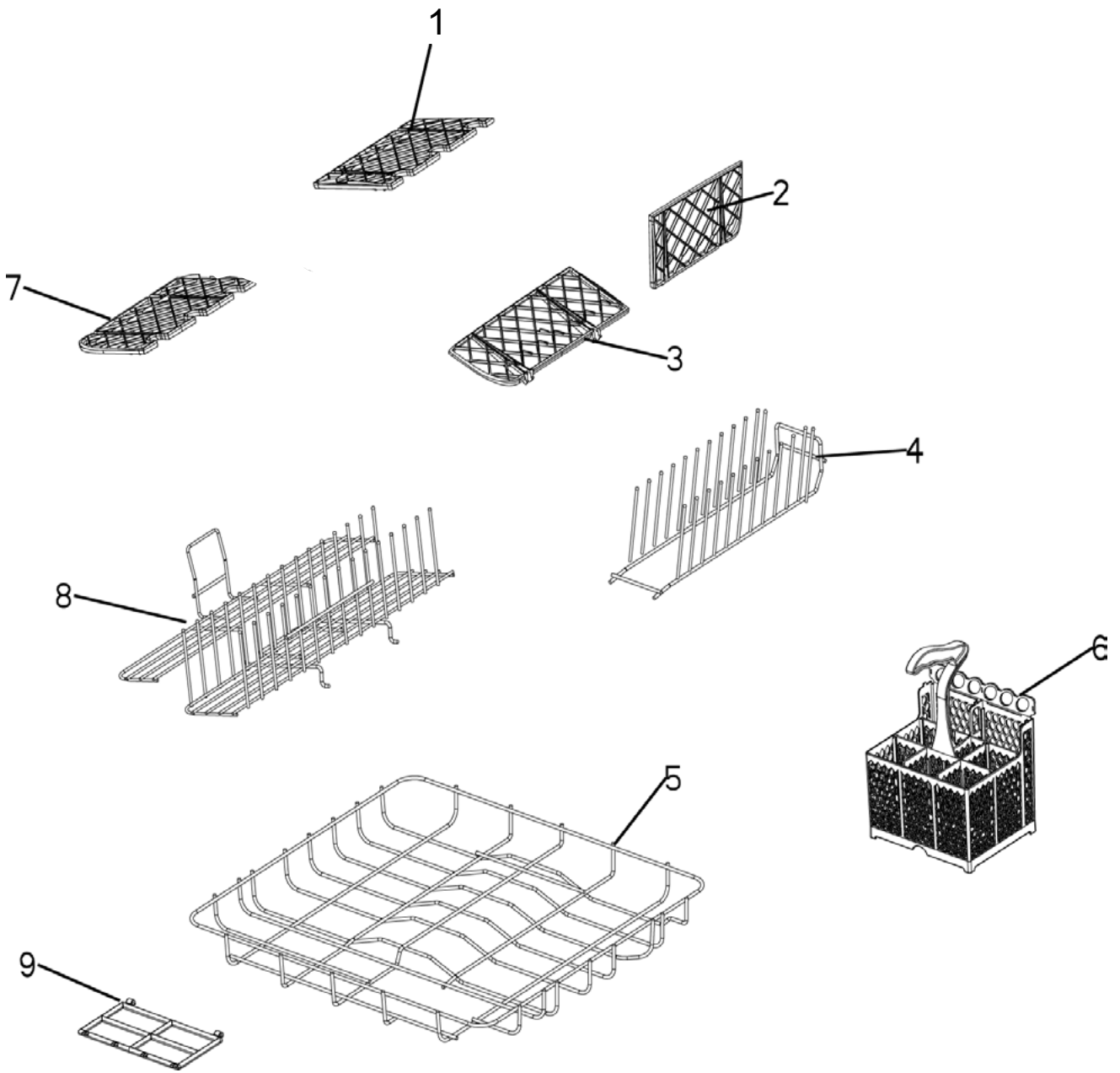


t1

TUBS AND COMPONENTS

Ref	Part	Description	Model
23	525940P	O RING CUFF SOCKET UL REC (PKT 4)	
24	526751	HARNESS MOTOR	
25	526263	HARNESS DISPENSER PH3	
26	528674	CLAMP HOSE TYPE 12232-17-GT	
27	528756	HOSE FILL SOFTENER BLACK WRC	H
28	526718	O RING OVERFLOW SOFTENER	H
29	526717	O RING SALT TANK	H
30	527084	KIT WATER SOFTENER ASSY (SP)	H
		WATER SOFTENER	H
	526718	O RING OVERFLOW SOFTENER	H
	526717	O RING SALT TANK	H
	526713	BUNG SOFTENER ASSY	H
	528606P	SALT SENSE SMD 525 PH3.5 ROHS	H
	556600	SCREW M3.5X14 (x 4)	H
NI	556155P	SCREW M3.5X14 PANTX K35 (PKT10)	H
31	528606P	SALT SENSE SMD 525 PH3.5 ROHS	H
32	526713	BUNG SOFTENER ASSY	H
33	526840	HARNESS WATER SOFTENER	H
34	526835	CONTAINER SALT FILLING	H

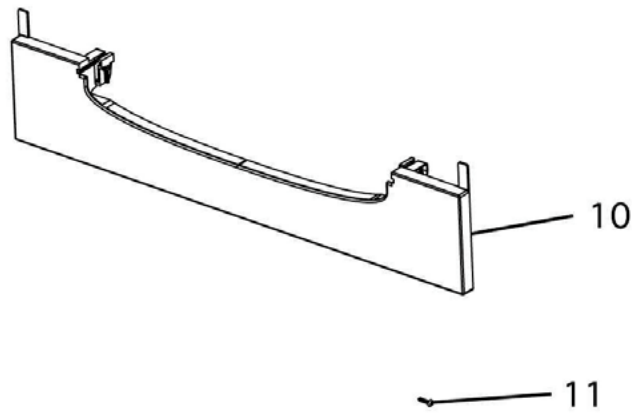
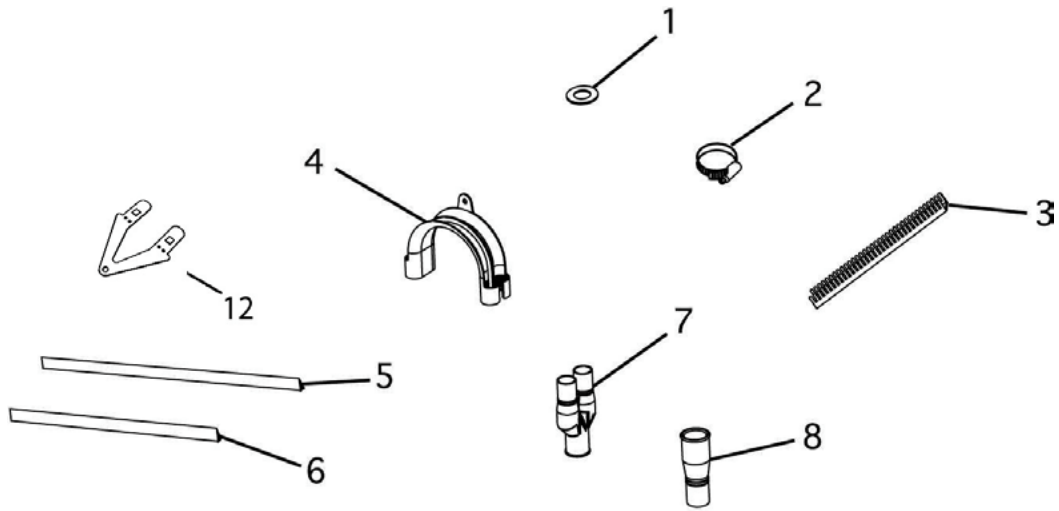
BASKETS AND RACKS



BASKETS AND RACKS

Ref	Part	Description	Model
1	526374	CUP RACK BACK LEFT	
2	526377	CUP RACK BACK RIGHT	
3	526376	CUP RACK FRONT RIGHT	
4	526092	INSERT CROCKERY US SILVER	
	* 525581	INSERT CROCKERY 12 INCH SILVER	Spare part only
5	526062	BASKET SILVER	
6	525489	CUTLERY CONTAINER ASSY	
7	526375	CUP RACK FRONT LEFT	
8	526346	UNI INSERT SILVER	
9	526345	TRAP DOOR DRAIN FILTER ACCESS	

INSTALLATION COMPONENTS



14



15



INSTALLATION COMPONENTS

	Part	Description	Model
1	525938P	WASHER WIRSBO US (PKT 10)	
2	528111	CLAMP HOSE DIA 32-14	
3	525935	EDGE 160MM 22PKG020 UHMWPE US	
4	525477F	SUPPORT DRAIN HOSE	
5	526771	TRIM CAVITY SIDE DBL CHARCL US	DD
	526772	TRIM CAVITY SIDE SGL CHARCL US	DS
6	526773	TRIM CAVITY TOP CHARCL US	
7	525925	DRAIN SPIGOT CONNECTOR DBL US	DD
8	525926	DRAIN SPIGOT CONNECTOR SGL US	DS
10	526679	KIT KICKSTRIP BLACK US	DD
11	556089P	SCREW WS 8X5/8TWINFST (PKT 10)	
12	526797	TAB TOP	DD
14	528343	BOOK SET USER/INSTAL FP US	
NI	420353	COMPACT DISC-US PRODUCT	
15	526573	VIDEO USE & CARE DD603 US	

Other non-illustrated parts

NI	525482	CLIP WIRE DRAIN	
NI	526676	KIT INSTALL DOUBLE/SINGLE US	
	525477	SUPPORT DRAIN HOSE	
	525482	CLIP WIRE DRAIN (x 2)	
	525925	DRAIN SPIGOT CONNECTOR DBL US	
	525926	DRAIN SPIGOT CONNECTOR SGL US	
	525938	WASHER WIRSBO US	
	528111	CLAMP HOSE DIA 32-14	
		SCREW WS 8X5/8 TWIN FAST (x 7)	
	525935	EDGE 160MM 22 PKG020 UHMWPE US	
	526797	TAB TOP (x 2)	
	526771	TRIM CAVITY SIDE DBL CHARCL US	
	526772	TRIM CAVITY SIDE SGL CHARCL US	
	526773	TRIM CAVITY TOP CHARCL US	
NI	527228	KIT TAPE UNDERBENCH	
NI	479314	CARD REGISTRATION ALL PRODUCT	
NI	* 526857	CARTON SLEEVE DD REPACK	

NOTES

Part no	Description	Note or Technical Bulletin reference
<i>Front panels/controls (excluding flat door and DCS models)</i>		
528957P	Lower door assemblies	All lower door assemblies contain a door insert and door insulation
528954P	Upper door assemblies	All upper door assemblies contain a door insert and door insulation
<i>Front panels/controls: flat door models</i>		
528967 528968	Flat door upper and lower assemblies	These flat door assemblies contain a designer badge housing, door corners and clips (but no door insert or insulation)
527983 527984 527991 527992	Flat door kits	DW048, April 2005
527586	Integrated door seal	DW041, February 2004
<i>Lid and link assembly</i>		
526186 526260	Yokes	DW040, November 2003
527394	Kit drain hose joiner	DW036, March 2003
<i>Tubs and components</i>		
527547	Drain filter trim	DW040, November 2003
527739	Drain filter	DW042, April 2004
528042	Motor	DW043, June 2004
<i>Baskets and racks</i>		
525581	Crockery insert	DW041, February 2004
<i>Installation components</i>		
526857	Carton sleeve repack	DW035, February 2003