



Service

Jetclean II™ Dishwashers

Base manual covers general information. Refer to individual Technical Sheet for information on specific models.

This manual includes, but is not limited to the following:

JDB4000AW
MDB5600AW
MDB6600AW
MDB7600AW
MDB8600AW
MDB9600AW
MDBF550AW
MDBF750AW
MDBH950AW
MDBH970AW
MDBL540AW
MDBL740AW

This manual is to be used by qualified appliance technicians only. Maytag does not assume any responsibility for property damage or personal injury for improper service procedures done by an unqualified person.

MAYTAG®

16021814
Revision 0
August 2002

Important Information

Pride and workmanship go into every product to provide our customers with quality products. It is possible, however, that during its lifetime a product may require service. Products should be serviced only by a qualified service technician who is familiar with the safety procedures required in the repair and who is equipped with the proper tools, parts, testing instruments and the appropriate service manual. **REVIEW ALL SERVICE INFORMATION IN THE APPROPRIATE SERVICE MANUAL BEFORE BEGINNING REPAIRS.**

Important Notices for Consumers and Servicers

WARNING

To avoid risk of serious injury or death, repairs should not be attempted by unauthorized persons, dangerous conditions (such as exposure to electrical shock) may result.

CAUTION

Maytag will not be responsible for any injury or property damage from improper service procedures. If performing service on your own product, assume responsibility for any personal injury or property damage which may result.

To locate an authorized servicer, please consult your telephone book or the dealer from whom you purchased this product. For further assistance please contact:

Customer Service Support Center

CAIR Center

<u>Web Site</u>	<u>Telephone Number</u>
WWW.AMANA.COM	1-800-843-0304
WWW.JENNAIR.COM	1-800-536-6247
WWW.MAYTAG.COM	1-800-688-9900
CAIR Center in Canada	1-800-688-2002
Amana Canada Product	1-866-587-2002

Recognize Safety Symbols, Words, and Labels

DANGER

DANGER—Immediate hazards which **WILL** result in severe personal injury or death.

WARNING

WARNING—Hazards or unsafe practices which **COULD** result in severe personal injury or death.

CAUTION

CAUTION—Hazards or unsafe practices which **COULD** result in minor personal injury or product or property damage.

Table of Contents

Important Information		Will Not Start or Program	4-18
Important Notices for Consumers and Servicers	2	Will Not Fill	4-18
Recognize Safety Symbols, Words, and Labels ...	2	Will Not Wash	4-19
Section 1. Important Safety Information		Will Not Drain	4-19
General Information	1-4	Will Not Dry	4-19
Related Publications	1-4	Manual Function Test	4-19
General Precautions and Warnings	1-4	Field Service Test	4-19
Product Warning Labels		Section 5. Service and Disassembly Procedures	
Junction Box Warning	1-5	Front Support and Toe Panel Removal	5-20
Support Panel Warning	1-5	Inner Door Panel Removal	5-21
Control Cover Warning	1-6	Detergent / Rinse Aid Disp	5-21
Section 2. Electrical Equipment & Testing		Wax Motor Detergent / Rinse Aid Disp	5-22
Electrical Test Equipment	2-7	Vent	5-22
Appliance Test Meter	2-7	Wire Cover	5-22
Continuity Testing	2-7	Door Latch & Switch Holder Assembly	5-23
Digital Test Meter	2-7	PC Board	5-24
Voltage Checks	2-8	Technical Sheet	5-24
Motor Test Cord	2-8	Control Panel	5-24
Grounding Polarity	2-8	Door Latch Strike	5-24
Electrical Tests		Door Gasket	5-25
Water Valve	2-9	Outer Door	5-25
Detergent / Rinse Aid Disp Wax Mtr Check	2-9	Door Hinge And Support	5-26
Vent Wax Motor Check	2-10	Door Spring	5-26
Section 3. Cycles & Options		Door Spring And Component Replacement	5-27
Cycles	3-11	Over Pressure Filter	5-27
Options	3-12	Top Wash Arm	5-27
Display	3-13	Manifold	5-28
Control Style by Model	3-14	Docking Station	5-28
Control Style by Model	3-15	Lower Wash Arm	5-28
Section 4. Trouble Shooting		Float	5-29
Will Not Fill	4-16	Heating Element	5-30
Overflows	4-16	Thermostats	5-31
Poor Water Circulation	4-16	Water Valve	5-31
Poor Washability	4-17	Air Water Inlet	5-32
Will Not Drain	4-17	Upper Rack Removal	5-33
Continues to Drain	4-17	Tub Wheels	5-33
Poor Drying	4-17	Turbidity Sensor	5-33
Water Leaks	4-18	Drain Pump	5-34
Noise	4-18	Wash Motor Assembly	5-34
		Appendix A	
		Installation Instructions	A-2
		Appendix B	
		Jenn-Air User's Guide	B-2
		Appendix C	
		MDB-3 User's Guide	B-2
		Appendix D	
		MDB-4 User's Guide	D-2

Important Safety Information



WARNING

To avoid personal injury or death from improper servicing, make sure you read and understand the descriptions and meaning of various safety symbols, words and labels used in this manual, before attempting any procedures described in the manual. Failure to understand and comply with safety information may result in severe personal injury or death.

General Information

This Service Manual describes the operation, disassembly, troubleshooting, and repair of Maytag® Dishwashers. It is intended for use by authorized servicer's who troubleshoot and repair these units.

NOTE: It is assumed that users of this manual are familiar with the use of tools and equipment used to troubleshoot and repair electrical, and mechanical systems; and understand the terminology used to describe and discuss them.

Related Publications

This is a base service manual, covering a range of similar models. It is intended to be used in conjunction with the Parts Manual and Technical Sheet covering specific model being serviced.

General Precautions and Warnings

- Dispose of discarded appliance and shipping or packing material properly.
- Do not allow children to play in or on dishwasher.
- Do not abuse, sit, stand or play on door or racks of a dishwasher.
- Use only detergents and rinse agents recommended for use in a dishwasher.
- Store dishwasher detergent and rinse agents out of the reach of children.
- If the dishwasher drains into a food disposer, make sure disposer is completely empty before running dishwasher.
- Repairs should be done by a qualified technician.
- Do not tamper with controls.
- Do not touch the heating element during or immediately after use.
- Load sharp knives with the handles up to reduce the risk of cut-type injuries or damaging seal.



WARNING

To avoid risk of personal injury or death due to electrical shock:

- Grounding wires and wires colored like grounding wires are **NOT** to be used as current carrying conductors.
- Standard accepted color coding for ground wires is **green** or **green with a yellow stripe**.
- Grounding wires should not be removed from individual components while servicing, unless component is to be removed and replaced.
- Replace all removed grounding wires before completing service.



WARNING

To avoid death, severe personal injury, fire or electrical shock when using dishwasher observe the following:

- **Observe all local codes and ordinances.**
- Disconnect electrical power to dishwasher before servicing.
- Connect dishwasher to a grounded metal, permanent wiring system.
- DO NOT ground to gas line.
- DO NOT ground to cold water pipe if pipe is interrupted by plastic, non-metallic gaskets, or other insulating (non-conducting) materials.
- Check with a qualified electrician if you are not sure this appliance is properly grounded.
- This dishwasher is designed to operate on regular house current (120 V, 60 Hz). Use a circuit equipped with a 15 ampere fuse or circuit breaker. Use a 20 ampere fuse if dishwasher is connected with a food waste disposer.
- Under certain conditions, hydrogen gas may be produced in a hot water system that has not been used for 2 weeks or more. **HYDROGEN GAS IS EXPLOSIVE.** If hot water system has not been used for such a period, before using dishwasher, turn on all hot water faucets and let water flow from each for several minutes. This will release any accumulated hydrogen gas. **HYDROGEN GAS IS FLAMMABLE.** Do not smoke or use an open flame during this time.
- Do not store or use combustible materials, gasoline or other flammable vapors and liquids in the vicinity of this or any other appliance.
- Do not wash plastic items unless marked "dishwasher safe" or the equivalent. If not marked, check with manufacturer for recommendations. Items that are not dishwasher safe may melt and create a potential fire hazard.
- To avoid entrapment and/or suffocation, remove door or door latch mechanism from any dishwasher that is discarded or not in use.

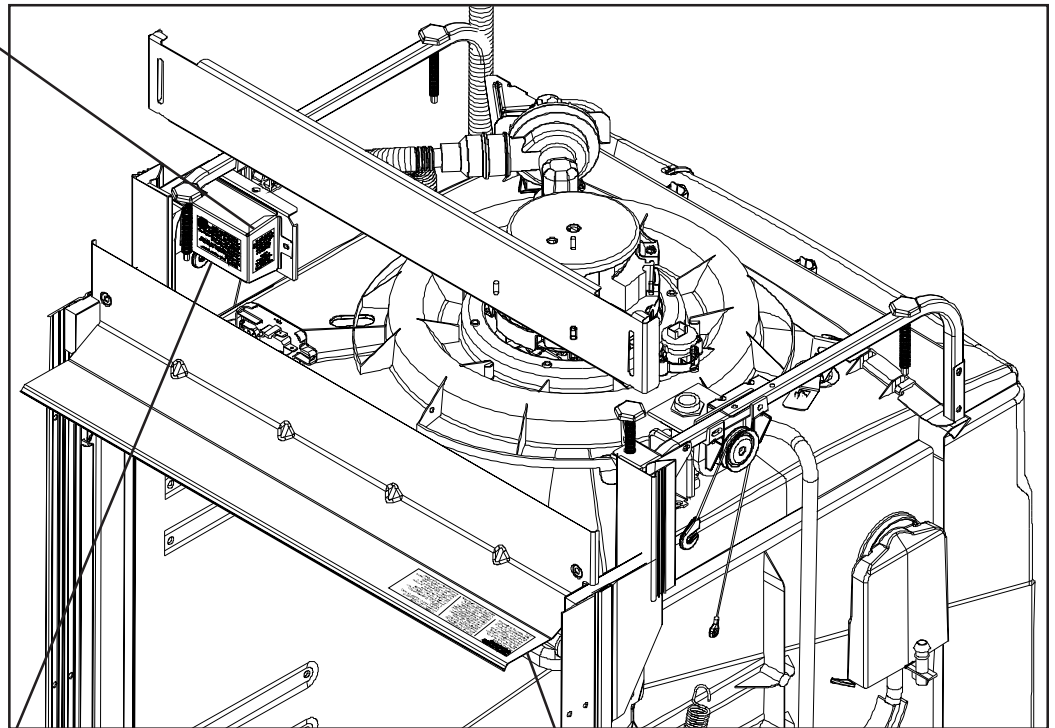
Important Safety Information

PRECAUCIÓN:

Desconecte la energía eléctrica antes de darie servicio.

ATENCIÓN:

Solamente use conductores de cobre. Use cables de suministro adecuados para 75° (167°F).



CAUTION: Disconnect electrical power before servicing.

ATTENTION: Use copper conductors only. Use supply wires suitable for 75°C (167°F).

ATTENTION: Débrancher de l'alimentation électrique avant tout dépannage.

ATTENTION: Utiliser des conducteurs en cuivre uniquement. Utiliser des fils d'alimentation pouvant supporter une température de 75°C (167°F).



GROUNDING: This unit must be grounded in accordance with local and/or national electric codes.

WARNING: The heating element, drain pump, harness clip, dispenser mount, and water valve are intentionally not grounded and may present a risk of electrical shock only during servicing. Discharge motor capacitor before servicing. Failure to follow these instructions can result in death, serious injury, fire, or electrical shock.

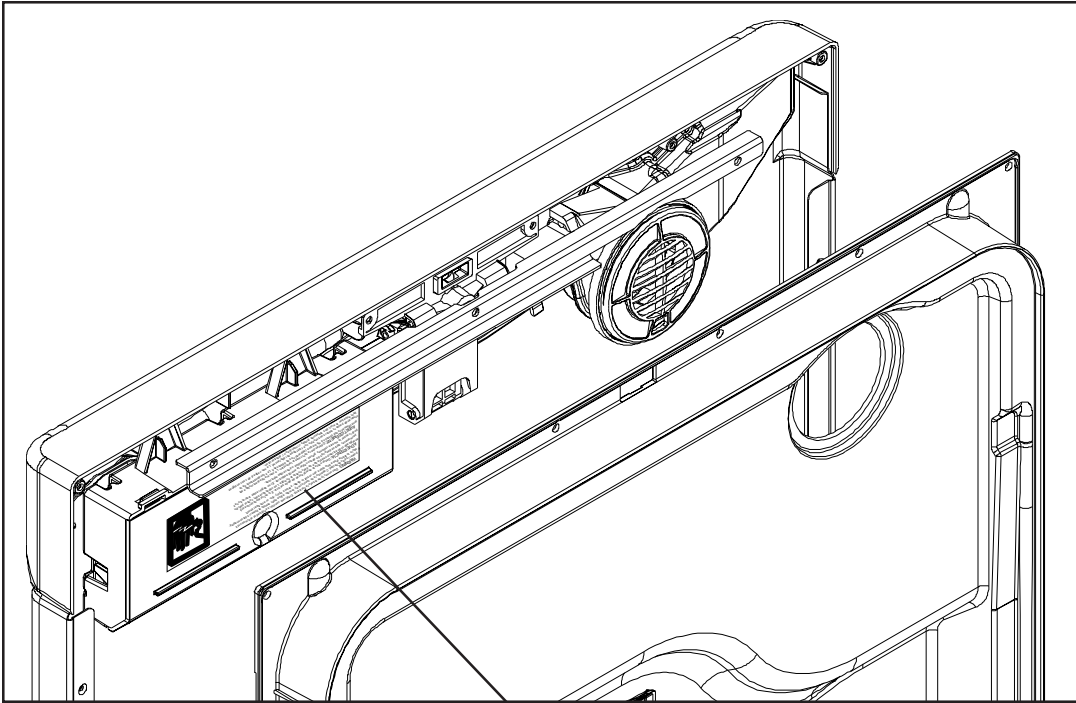
MISE À LA TERRE: Cet appareil doit être relié à la terre conformément aux codes électriques locaux et/ou nationaux.

AVERTISSEMENT: La résistance, la pompe de vidange, l'attache du hamais, la monture de distributeur et l'électrovanne ne sont pas reliés à la terre intentionnellement et peuvent présenter des risques d'électrocution uniquement en cas d'intervention de service après-vente. Décharger le condensateur avant toute intervention. Le non-respect de ces consignes peut entraîner la mort, des blessures graves, l'incendie ou l'électrocution.

CONEXIÓN A TIERRA: Esta unidad debe estar conectada a tierra de acuerdo con los códigos eléctricos locales y nacionales.

ADVERTENCIA: El elemento calentador, la bomba de drenado, el sujetador del arnés, el montaje del surtidor y la válvula de agua están sin conectar a tierra intencionalmente podrían presentar un riesgo de descargas eléctricas cuando se les da servicio solamente. El no seguir estas instrucciones podría causar la muerte, lesiones graves, incendios o descargas eléctricas.

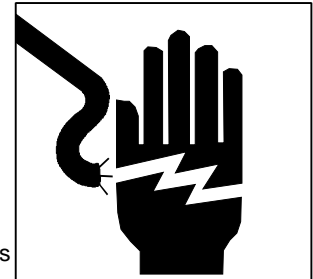
Important Safety Information



WARNING: Disconnect power before servicing. Electronic control is energized at all times until power is disconnected. Capacitors on control may remain active after electrical power is disconnected. Failure to follow these instructions can result in death, serious injury, fire, or electrical shock.

ADVERTENCIA: Desconecte la energía antes de darle servicio. El control electrónico está energizado todo el tiempo hasta que se desconecta la energía. Los capacitores del control podrían permanecer activos después de desconectar la energía eléctrica. El no seguir estas instrucciones podría causar la muerte, lesiones graves, incendios o descargas eléctricas.

AVERTISSEMENT: Débrancher avant toute intervention. La commande électronique est constamment sous tension à moins que l'appareil ne soit débranché. Les condensateurs de la commande peuvent rester sous tension une fois l'appareil débranché. Le non-respect de ces consignes peut entraîner la mort, des blessures graves, l'incendie ou l'électrocution.



Section 2. Electrical Equipment & Testing

Electrical Test Equipment

The equipment required to service these models depends largely upon the condition encountered. Locating a malfunction will often require the use of electrical testing equipment such as:

Appliance Test Meter
Clamp-On Ammeter
Motor Test Cord

Appliance Test Meter

An Appliance Test Meter is a multi-purpose tester combining an AC/DC voltage tester with a multi-range ohmmeter.

The easiest means of testing electrical components is "Continuity Testing" with an appliance meter. Continuity is a complete or continuous path from one point in an electrical circuit to another.

The obvious advantages of being able to check electrical components and circuits without power applied is one of the features of the Ohmmeter. Multiple ranges allow accurate determination of resistances of both single components and entire circuit paths. Resistance is measured in "Ohms."



WARNING

To avoid risk of personal injury or death due to electrical shock:

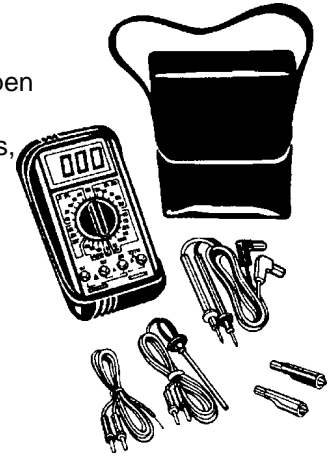
Always be sure the power has been disconnected before making resistance measurements. Failure to do so will also result in damage to your meter! Internal batteries provide all the power needed to make resistance checks. They should be checked at least once a year and replaced as needed.

Continuity Testing: is a process of eliminating electrical components involved in a given function of the appliance, until the inoperative part is found. By reviewing the list of possible electrical problems under a given condition, and then performing appropriate continuity checks of the parts involved, you should be able to locate the electrical component which is inoperative.

NOTE: When checking components or circuit paths for continuity, external wiring should be disconnected to eliminate false readings through external paths. Isolate what you want to test.

Digital Test Meter

can be used to check for open or closed circuits, measure resistance, AC and DC volts, and temperature.



Analog Test Meter

can be used to check for open or closed circuits, measure resistance, AC and DC volts, and temperature.



ELECTRICAL EQUIPMENT & TESTING

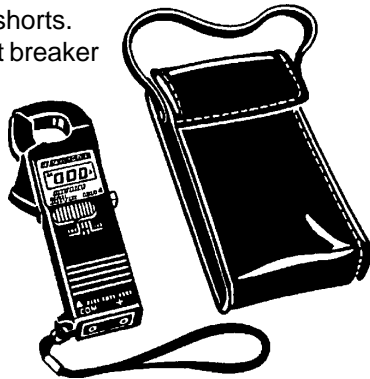
VOLTAGE CHECKS

Generally, these checks will consist of taking readings at the wall receptacle in order to determine the availability of voltage to the product. Voltage checks on individual components of a product are not recommended due to the possibility of electrical shock. Component part testing is best accomplished through continuity checks with an Appliance Test Meter.

NOTE: Use of the meter on voltage higher than the indicated range may cause permanent damage to the meter. To prevent damage, first select highest range and then lower the range for readings which fall within the lower scale.

Clamp-On Ammeter

can be used to detect shorts. Overloads on the circuit breaker or fuse can be traced to either the appliance or circuit breaker by checking the current draw.



Each circuit in an appliance has a "Normal" current draw, which is an indication of the performance of that circuit. Current draw levels of less than or more than normal give clues to possible malfunctions. The clamp-on ammeter measures these circuits without breaking the circuit by measuring the strength of the magnetic field developed around each conductor. Current is read by separating the conductors and clamping the jaws of the ammeter around each conductor on which current is read. Low amperage readings indicate problems, such as damaged heating elements, etc. High amperage readings indicate the unit being tested is operating under an increased mechanical or electrical load.

NOTE: Overloads on a circuit breaker or fuse can be traced to the product being tested or the circuit breaker (or fuse) by checking the products current draw. If the amperage reading is less than the breaker reading, the breaker or fuse box is at fault.

Use of Ammeter on dishwasher:

1. **Motor Current** - the reading can be taken at the leads on the motor start relay or at the male connector.
2. **Heating Element Current** - The reading can be taken using either lead to the element.

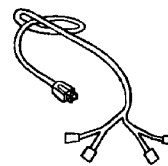
Motor Test Cord

DANGER

To avoid risk of personal injury or death due to electrical shock:

- Disconnect electrical power to dishwasher before servicing.
- Always plug test cord into a properly grounded receptacle.
- Always make connection to components before plugging test cord into receptacle.

A motor test cord may be used to electrically check operation of the various electrical components without removing them from the unit. Testing in this manner merely determines whether or not the part will function independently of other electrical components. In order to make accurate tests, proper connection of the motor test cord is important. With the aid of the drawings under Drive Motor Test, installation of the motor test cord may be done quickly and accurately.



Grounding and Polarity

DANGER

To avoid risk of personal injury or death due to electrical shock:

- Do not cut or remove the grounding prong from any plug.

The receptacle used for all Maytag products operating on 120 VAC must be properly grounded and polarized.


The power cord used on the appliances should be equipped with a three (3) prong polarized grounding plug

Electrical Equipment & Testing

for protection against shock hazard and should be plugged directly into a properly grounded and polarized receptacle.

It is the responsibility of the person installing the appliance to assure it is adequately grounded and polarized at the point of installation, taking into consideration local conditions and requirements. In cases where only a two (2) prong receptacle is available, it is the personal responsibility of the consumer to have it replaced with a properly grounded three (3) prong receptacle. All grounding and wiring should be done in accordance with National, State, and Local codes. **DO NOT USE AN ADAPTER PLUG WITH THIS APPLIANCE.**

ELECTRICAL TESTS

 **WARNING**

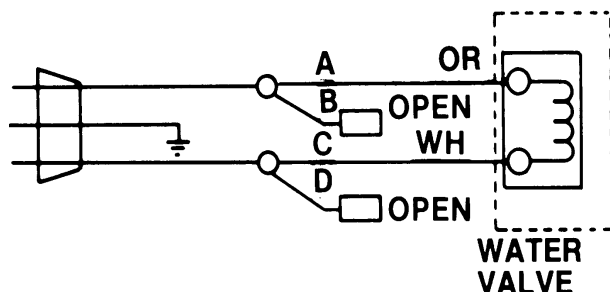
To avoid risk of personal injury or death due to electrical shock:

- Disconnect electrical power to dishwasher before servicing.
- Always plug test cord into a properly grounded receptacle.
- Always make connection to components before plugging test cord into receptacle.

WATER VALVE TEST

The Water Valve may be checked without removing it from the Dishwasher.

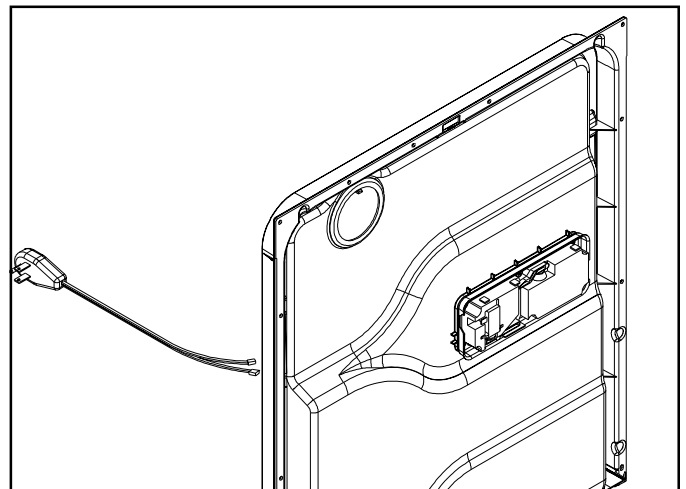
To check the Water Valve for operation, hook up the test cord as follows:



Wax Motor Check Detergent / Rinse Aid Dispenser

A single Wax Motor is used to activate both the release of the Detergent Cup Cover and the rinse aid from the reservoir.

To check the operation of the Wax Motor, removal from the Dispenser Retainer or Inner Door is not necessary. First, snap the Detergent Cup Door shut. Then, connect a Power Test Cord across the two terminals of the Wax Motor. Plug the Power Test Cord into a 120 VAC receptacle. The plunger in the center of the Wax Motor should "push out" and actuate the Dispenser in approximately 45-60 seconds. Remove voltage to the Wax Motor and allow the plunger to retract into the Wax Motor. Apply voltage to the Wax Motor again and observe for proper lifting of the rinse aid plunger.



Electrical Equipment & Testing

Wax Motor Check- Vent

A single continuous duty wax motor is used to operate the vent.

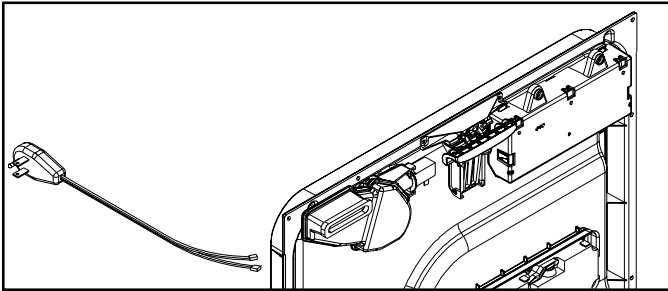


WARNING

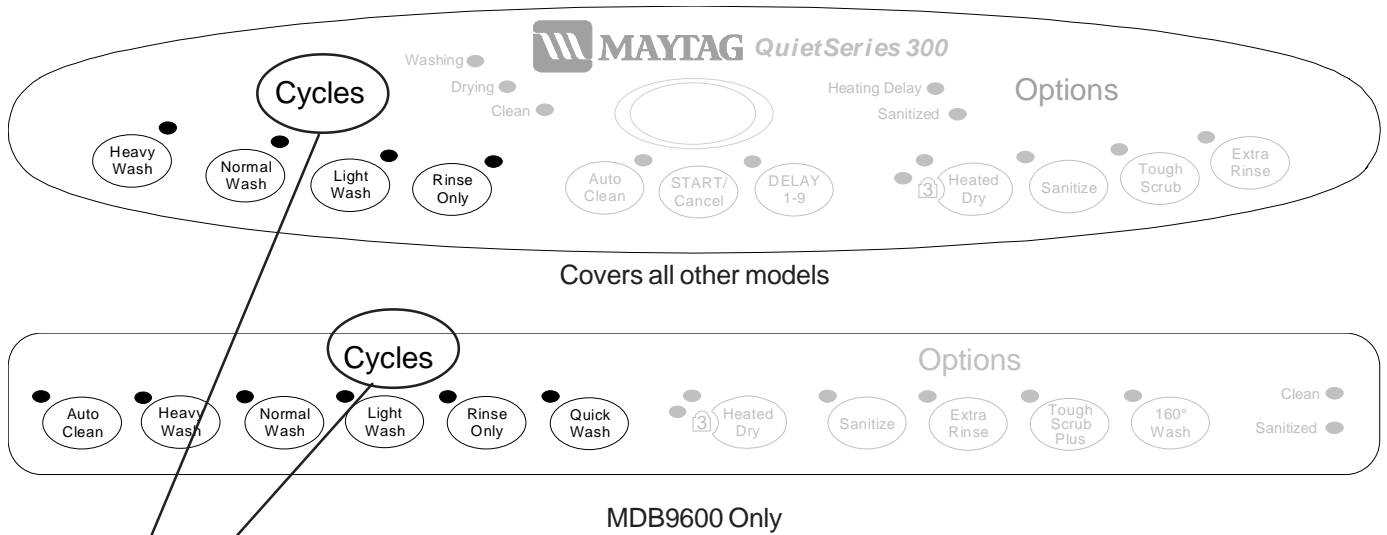
To avoid risk of personal injury or death due to electrical shock:

- Disconnect electrical power to dishwasher before servicing.
- Always plug test cord into a properly grounded receptacle.
- Always make connection to components before plugging test cord into receptacle.

Connect a Power Test Cord across the two terminals of the Wax Motor. Plug the Power Test Cord into a 120 VAC receptacle. The plunger should extend (push out) and force the Vent Flap tight against the vent opening in approximately 45-60 seconds. When power is removed from the Wax Motor, the plunger should retract along with the Vent Flap, opening the vent.



Section 3. Cycles & Options



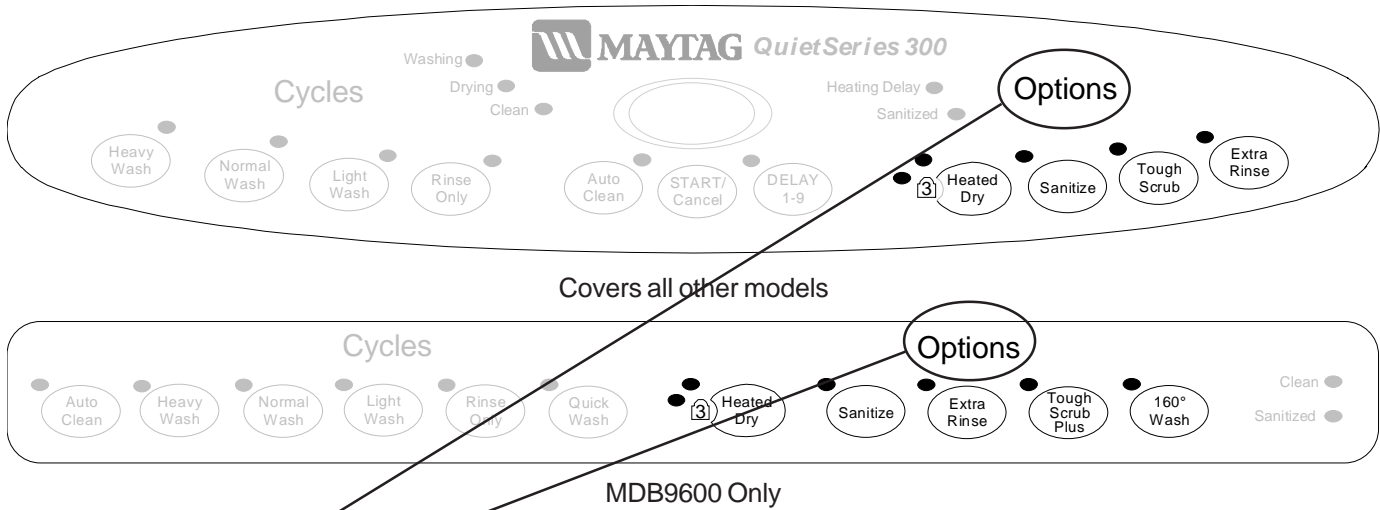
See User's Guide for specific operation.

Cycle

Description

Auto Clean	Designed to auto select the number of fills and length of wash time based on soil level of the dish load. Water usage ranges from 3 to 8 gallons.
Heavy Wash	Designed to provide a longer cycle for washing items with heavy food soils. Water usage is 8 gallons.
Normal Wash	Designed to wash loads containing dishes with normal amounts of food soils. Water usage ranges from 3 to 6 gallons.
Light Wash	Designed to wash loads containing dishes that are lightly soiled. Water usage is 5 gallons.
Quick Wash	Designed for light food soils. The cycle ends with a rinse and does not include drying. Water usage is 4 gallons.
Rinse Only	Rinses dishes being held until the dishwasher is full, and another cycle is selected. This cycle helps reduce the potential for development of odors. Water usage is 2 gallons.

Cycles & Options



See User's Guide for specific operation.

Option

Description

Tough Scrub™
Tough Scrub Plus™

This option adds fills, heat and/or wash time to the wash cycle.

Sanitize

This option monitors cycles for sanitization.

Extra Rinse

This option adds an extra rinse to the cycle which helps in hard water situations.

160° Wash

This option raises temperature in the final rinse to 160° F.

Heated Dry

This option improves drying results by turning the heating element on and off during the dry portion of the cycle.

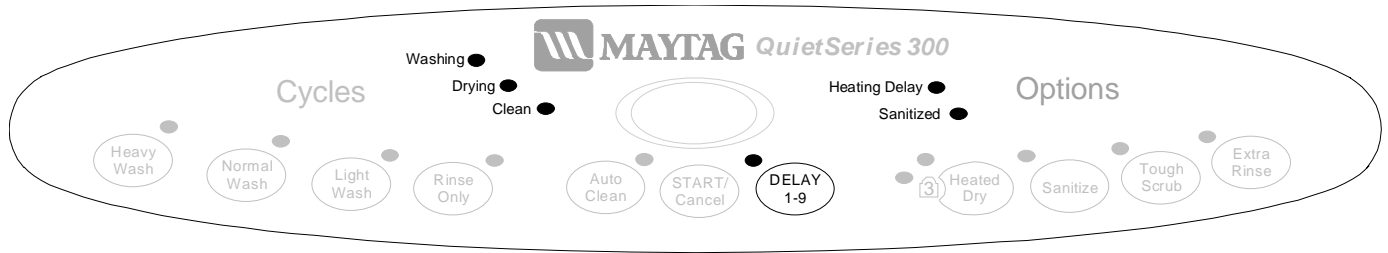
Delay

Delays the start of the dishwasher based on user input.

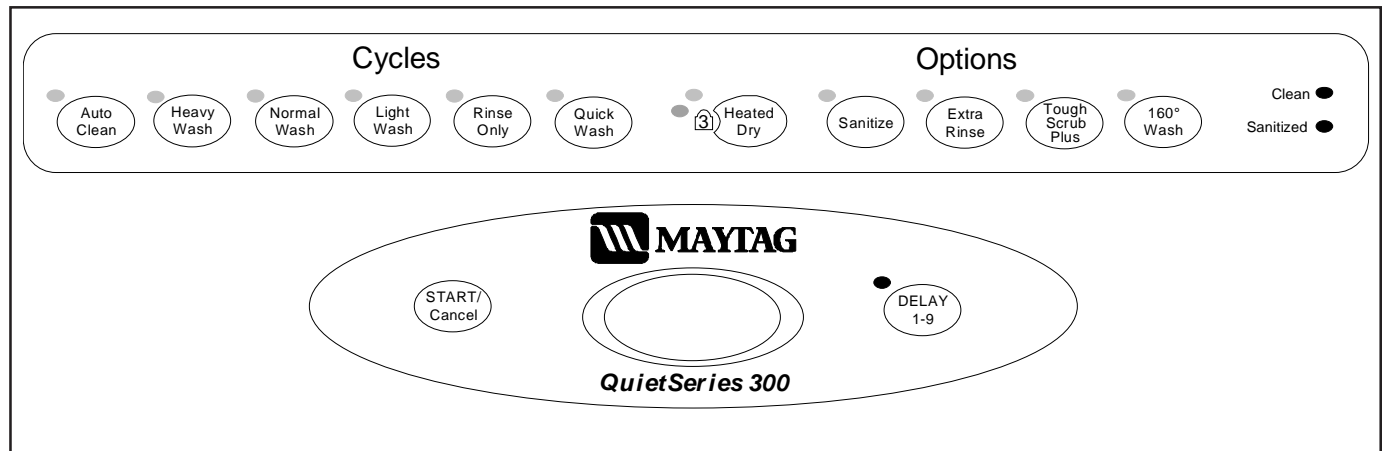
Control Lock

Lock's the control touch pads from unwanted usage. This option does not lock the door.

Cycles & Options



Covers all other models



MDB9600 Only

Display

Clean

Description

The "Clean" light illuminates at the end of the cycle and remains on until the door has been open continuously for 30 seconds.

Drying

The "Drying" light illuminates until the cycle is complete.

Washing

The "Wash" light illuminates through all the rinse and wash portions of the cycle.

Heating Delay

The "Heating Delay" light illuminates when the cycle is being extended to heat the water.

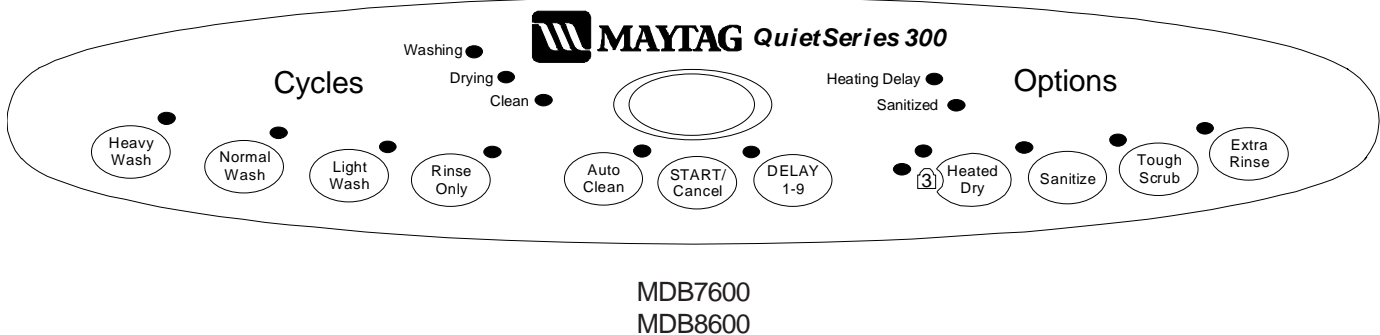
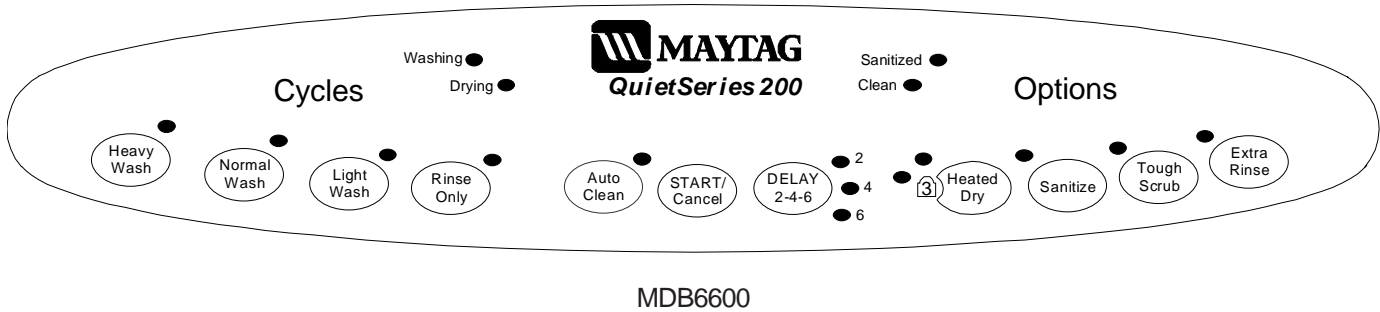
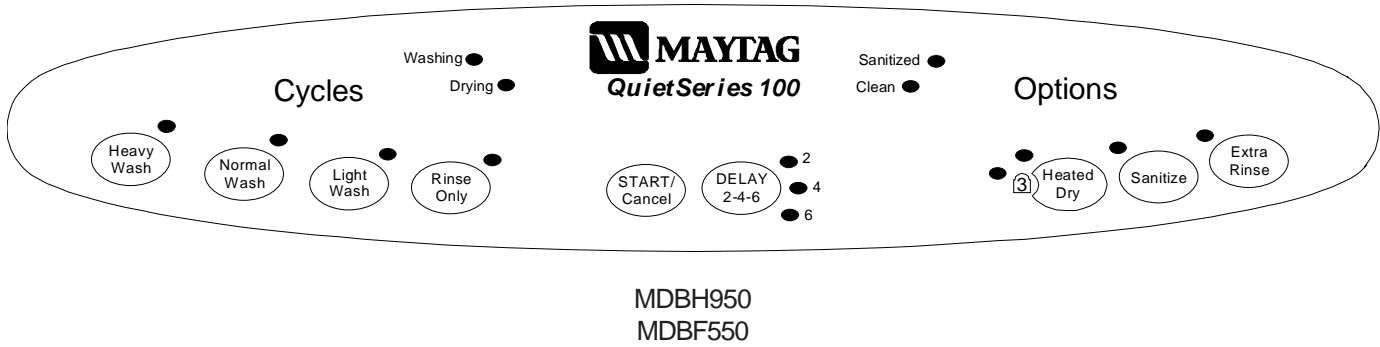
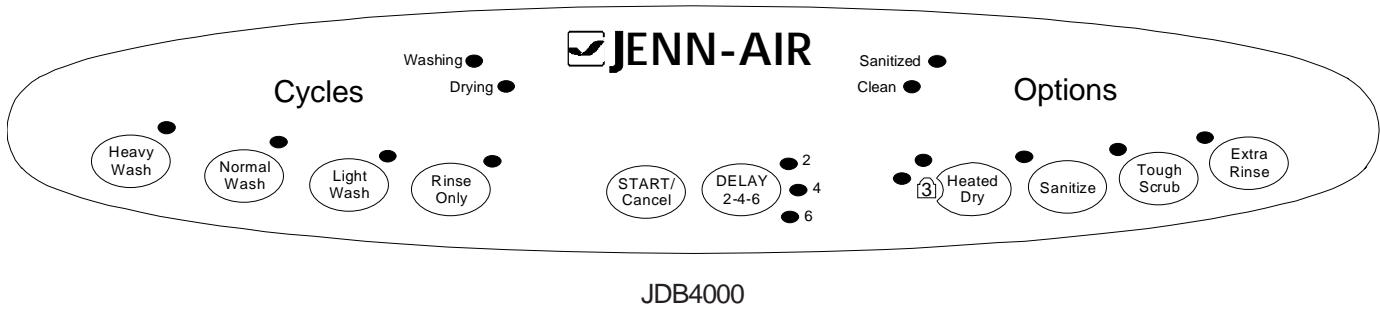
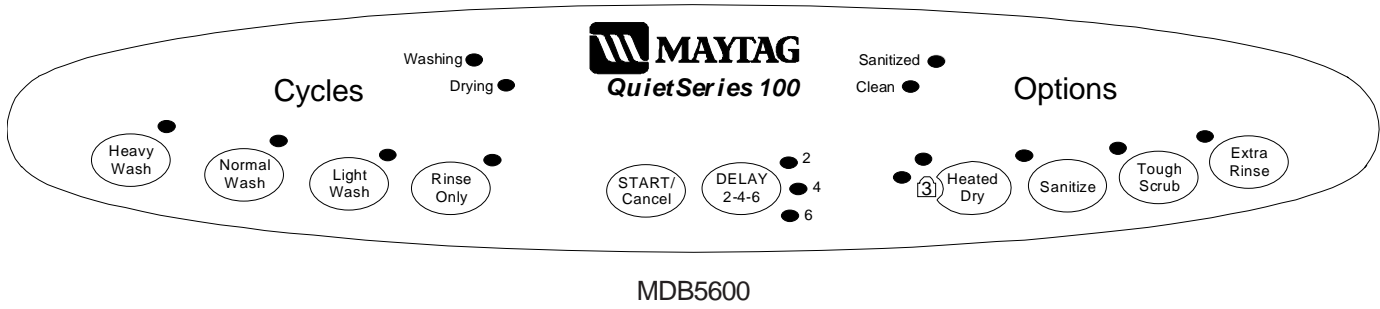
Clean/Sanitized

These two lights illuminate from the end of cycle until the next cycle is selected, or the door has been open continuously for 30 seconds.

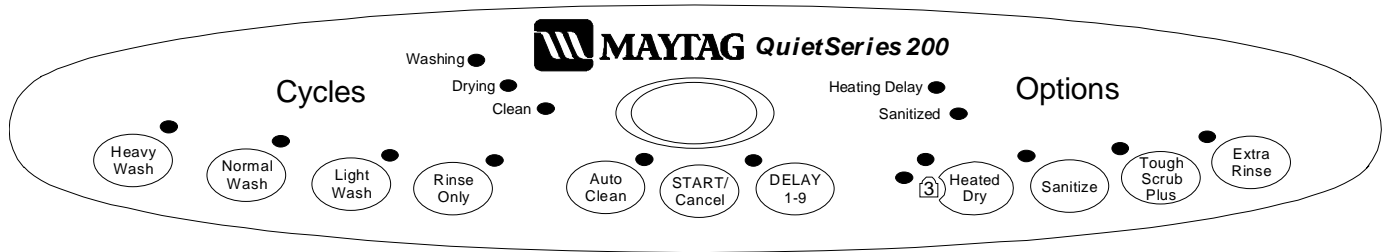
Delay

The "Delay" light will illuminate whenever a delay count down is in progress, or until the "Delay" pad is pressed again.

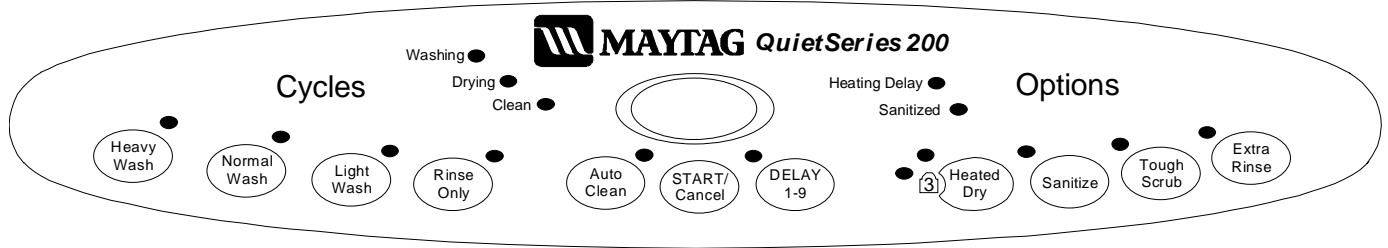
Cycles & Options



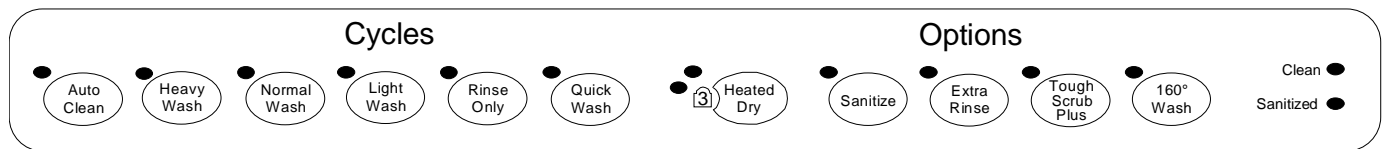
Cycles & Options



MDBH970



MDBF750



QuietSeries 300

MDB9600

Section 4. Electrical-Mechanical Troubleshooting



WARNING

To avoid risk of electrical shock, personal injury, or death, disconnect electrical power source to unit and discharge capacitor through a 10,000 ohm resistor before attempting to service, unless test procedures require power to be connected. Ensure all ground wires are connected before certifying unit as repaired and/or operational.



CAUTION

Units covered in this manual are polarized. Reversing polarity of a unit or any of its components will cause damage. To avoid reversing polarity, any wires disconnected or removed during service *must* be reconnected to the same location. To ensure wires are reconnected to the proper location, tag or otherwise mark the wires before disconnecting or removing.

Will Not Fill

Water Access Valve

Check to determine if the valve is turned on and water is available to the Dishwasher. Check water pressure.

Circuit Breaker/Fuse

Check for tripped breaker or blown fuse. Reset or replace as necessary.

Door Latch

Check door switches for continuity. With door switches engaged, no continuity, replace switch.

Float

Check float position. If in the up position, check for obstruction or disengagement from the Float Switch Arm.

Float Switch

If the float is in the down position, check the switch for continuity. If no continuity, replace the Float Switch.

Water Valve

Check Solenoid for continuity. No continuity, replace Water Valve. Check Inlet Screen for restrictions. Clean screen or replace Water Valve as necessary. (See section 5).

Wiring/Electrical Connections

Check for loose or frayed wire terminal connections. Check for broken wire within harness. Repair or replace as necessary.

Overflows

Water Valve

Check that water continues to flow when electrical power is turned off. If the water continues to flow without electrical power, replace Water Valve.

NOTE: Low water pressure can result in failure of the Water Valve to close properly.

Float

Ensure that the Float isn't stuck in the down position. Check for sediment buildup. Clean and/or replace as necessary.

Float Switch Actuator Lever

Check the actuator lever on the bracket. It must be able to move freely. Repair or replace as necessary. (See section 5).

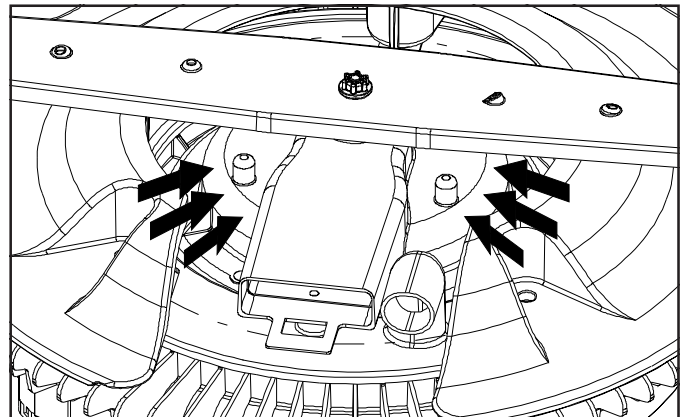
Float Switch

Check Float Switch for continuity with the Float in the up position. If continuity is present and Float moves up and down freely, replace Float Switch.

POOR WATER CIRCULATION

Water Level - Too Low

Normal water fill should be at level depicted by arrows.



Pump Assembly

Check assembly for obstructions or restricted movement of parts. Repair and/or replace parts as necessary.

Electrical-Mechanical Troubleshooting



WARNING

To avoid risk of electrical shock, personal injury, or death, disconnect electrical power source to unit and discharge capacitor through a 10,000 ohm resistor before attempting to service, unless test procedures require power to be connected. Ensure all ground wires are connected before certifying unit as repaired and/or operational.

Filters

Check for blockage of Strainer, Over Pressure Filter.
Repair as necessary.

Poor Washability

Spray Arms

Check all Spray Arms for blockage of water ports or cracks. Check for proper rack loading to avoid interference with Spray Arms during wash action. Check for proper sealing, fastening, and movement of Spray Arms. Repair as necessary.

Filters

Check for blockage of Strainer, Primary Filter, and Filter Support. Repair as necessary.

Detergent Cup Cover

Check spring hinge operation of Detergent Cup Cover.
Repair as necessary.

Detergent Cup

Check operation of Detergent Cup Assembly, Wax Motor, Actuator, Linkage, and Cover Latch. Repair and/or replace parts as necessary. **Note:** For testing of Wax Motor, see Section 2.

Rinse Dispenser

Check level of rinse aid in reservoir. Check rinse aid dispenser setting.

Wash Delivery System

Check manifold and Docking Station for good seal and no leaks.

Will Not Drain

Inadequate Drainage

Check Drain Pump for proper operation. Check the drain pipe connections and repair as needed. If draining into the garbage disposal, check for unprocessed food waste at drain hose connection to disposer. Clean out as needed.

Drain Hose

Check drain hose for kink or restrictions. Reroute or remove any restriction of drain hose as needed.

Pump Assembly

Check pump assembly for obstructions or restricted parts. Repair or replace parts as necessary.

Wiring/Electrical Connections

Check for loose or frayed wire terminal connections. Check for broken wire within harness. Repair or replace as necessary.

Continues To Drain

Control Board

Check Control Board for proper operation.

Poor Drying

Water Temperature

Check for low water temperature. Temperature should be between 120 - 150 degrees Fahrenheit. If not, advise consumer to adjust water heater setting. Encourage consumer to purge water lines to the dishwasher area prior to starting the dishwasher.

Cycle Options

Advise consumer use of options available on dishwasher that improve drying. Options that improve drying are Heated Dry, and 160° Wash.

Detergent

Check water hardness. Instruct consumer on detergent usage, one teaspoon of detergent per grain of water hardness.

Rinse Dispenser

Check level of rinse aid in reservoir. Check dispenser setting under cap. Use "MAX" for hard water conditions.

Improper Rack Loading

Check how the consumer loads the dishes into the racks. Improper loading of some types of dishes can trap water which causes dishes not to dry.

Heating Element

Check load readings listed on Technical Sheet located behind Toe Panel.

Electrical Mechanical Troubleshooting



WARNING

To avoid risk of electrical shock, personal injury, or death, disconnect electrical power source to unit and discharge capacitor through a 10,000 ohm resistor before attempting to service, unless test procedures require power to be connected. Ensure all ground wires are connected before certifying unit as repaired and/or operational.

Thermostat

Check mating surface of the High Limit Thermostat face to surface of tub enclosure. Contact area must be flat. Adjust the thermostat placement if necessary. See Technical Sheet, located behind Toe Panel for thermostat data.

Water Leaks

Installation

Check Dishwasher for proper leveling and squareness in cabinet.

Door Alignment

Check proper alignment of Door Liner to Door Gasket.

Door Gasket

Check for torn or damaged Door Gasket. Repair or replace as necessary.

Hoses

Check for loose hose clamps or hoses that leak. Tighten hose clamps or replace hoses as needed.

Spray Arms / Manifold

Check for cracks and replace as necessary.

Detergent / Rinse Aid Dispenser Seal

Check Rinse Aid Dispenser Seal for proper positioning or cracking. Reposition or replace as needed.

Water Valve

Check Water Valve body for damage and leaks. Replace if necessary. Also, check plumbing connections to Water Valve.

Wash Motor Assembly

Check for water leak between Pump Assembly and tub.

Drain Pump Assembly

Check Pump Assembly Housing for cracks. Check Drain Pump "O" ring for leaks.

Noise

Banging

Check for loose Spray Arms. Check for dishes interfering with Spray Arm rotation. See loading information in the User's Guide at the end of this manual.

Hammering/Chattering

Check Water Valve for, noise, low voltage, or high valve coil resistance. Replace Water Valve if needed. Also, check incoming water supply line for proper size and pressure. Make sure the supply line is secured.

Grinding

Check for objects in Pump Assembly. If objects are found, inspect Pump Assembly for damage. Repair as needed.

Vibration

Check components for source of vibration. Adjust and/or tighten as needed.

Will Not Start Or Program

Control Board

Check incoming voltage to Control Board.

Membrane Switch

Check for proper operation of Membrane Switch. See membrane readings on the Technical Sheet located behind toe panel.

NOTE: Make sure the pin connectors are making proper contact with pins on the Control Board. If the voltage is correct into the Control Board, and the board will not activate, replace board.

Will Not Fill

Water Valve

Check Water Valve circuit. See Technical Sheet for water valve data located behind toe panel.

NOTE: Make sure the pin connectors are making proper contact with pins on the Control Board.

Electrical Mechanical Troubleshooting



WARNING

To avoid risk of electrical shock, personal injury, or death, disconnect electrical power source to unit and discharge capacitor through a 10,000 ohm resistor before attempting to service, unless test procedures require power to be connected. Ensure all ground wires are connected before certifying unit as repaired and/or operational.

Will Not Wash

Wash Motor

Check Wash Motor circuit. See data listed on the Technical Sheet, located behind toe panel.

Will Not Drain

Drain Motor

Check Drain Motor circuit. See data listed on the Technical Sheet, located behind Toe Panel.

Will Not Dry

Vent Assembly

Check Vent Assembly for proper operation. Check Wax Motor.

Heating Element

Check Heating Element circuit. See data listed on the Technical Sheet, located behind Toe Panel.

Manual Function Test

See Technical Sheet, located behind Toe Panel.

Field Service Test

See Technical Sheet, located behind Toe Panel.

Section 5. Service and Disassembly Procedures



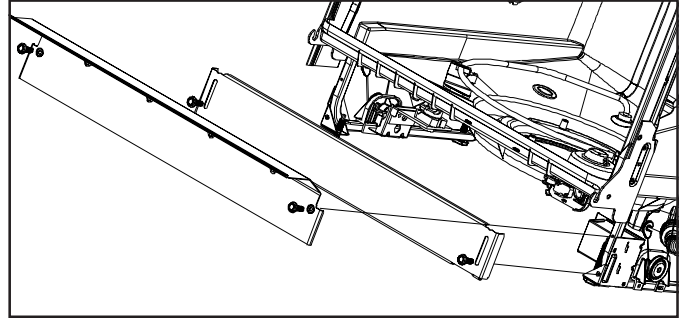
WARNING

To avoid risk of electrical shock, personal injury, or death, disconnect electrical power source to unit and discharge capacitor through a 10,000 ohm resistor before attempting to service, unless test procedures require power to be connected. Ensure all ground wires are connected before certifying unit as repaired and/or operational.

The following paragraphs describe how to disassemble unit under test. Disassembly to some extent is required to install unit, to perform troubleshooting procedures, and to remove and replace failed components.

Component names used throughout disassembly procedures are the same as those used in Parts Manuals.

For quicker reassembly, disassemble unit under test only to extent necessary to troubleshoot and repair. Unless noted, reassembly is opposite of disassembly.



WARNING

To avoid risk of personal injury or death due to electrical shock, ground wires and wires colored like ground wires are **NOT** to be used as current carrying conductors. The standard accepted color coding for ground wires is **green** or **green with a yellow stripe**. Electrical components such as the water valve and motor are grounded through an individual wire attached to the electrical component. Ground wires should not be removed from individual components while servicing, unless the component is to be removed and replaced. It is extremely important to replace all removed ground wires before completing service.

Front Support and Toe Panel Removal

Removal of Front Support and Toe Panel will allow access to the Water Valve, Float Switch Assembly, Electrical Junction Box, hoses, thermostats, Start Capacitor and Motor/Pump Assembly.

Removal

1. **Disconnect power to the machine.**
2. The Front Support Panel is held by 2 screws, one each side. Remove both screws.
3. The Toe Panel is held by 2 screws, one each side.

Service and Disassembly Procedures



WARNING

To avoid risk of electrical shock, personal injury, or death, disconnect electrical power source to unit and discharge capacitor through a 10,000 ohm resistor before attempting to service, unless test procedures require power to be connected. Ensure all ground wires are connected before certifying unit as repaired and/or operational.

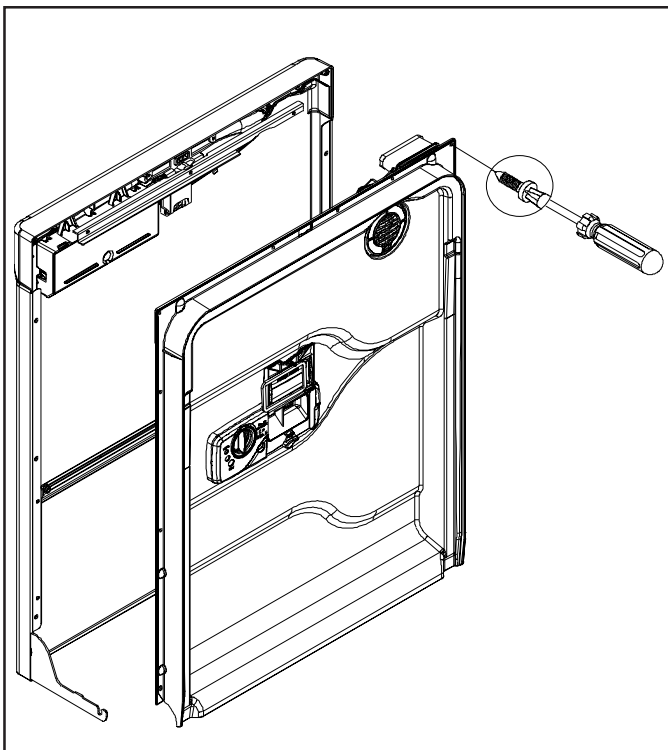
Inner Door Panel

Removal of the Inner Door Panel will allow access to the Microprocessor Board, Door Switches, Detergent / Rinse Aid Dispenser, and Vent Assembly.

Removal

1. **Disconnect power to the machine.**
2. Open the Dishwasher door.
3. Remove the 11 Torx™ screws along the sides and top of the Inner Door Panel.
4. Separate the Inner Door Panel from the Outer Door.
5. Disconnect wires from the Vent and Dispenser Wax Motors before pulling the Inner Door Panel away from the Dishwasher.

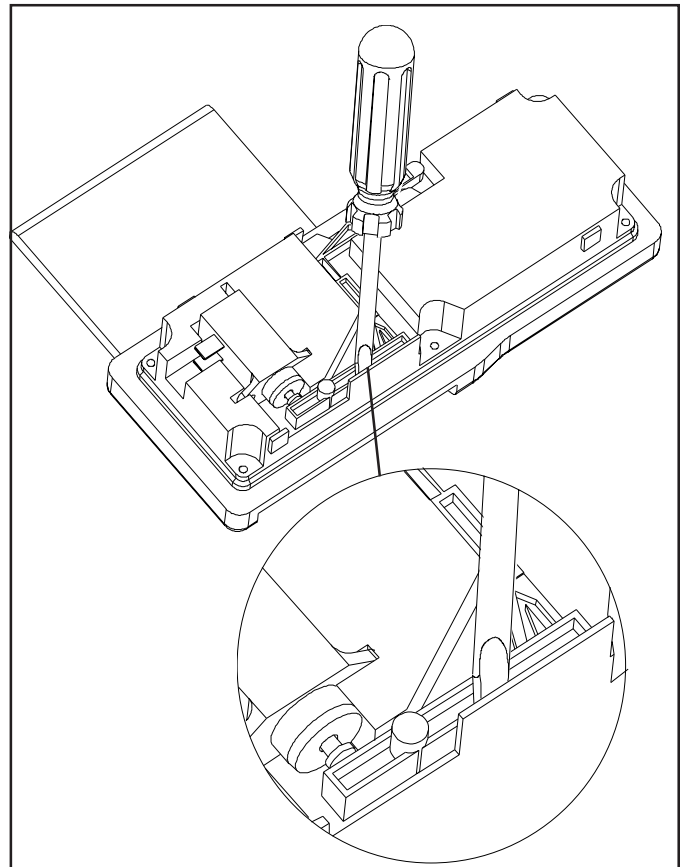
IMPORTANT: When replacing Inner Door Panel, remove Inner Door reinforcement, Bottom Seal and install on new panel.



Detergent / Rinse Dispenser Mechanism and Reservoir

Checking Operation

1. **Disconnect power to the machine.**
2. Remove the Inner Door Panel. (See paragraph Inner Door Panel removal).
3. Snap the Detergent Door shut.
4. Gently lift the lever of the dispenser mechanism until a click is heard. The Detergent Door releases. Release the lever.
5. Lift the lever again. Now the actuator will lift the Rinse Aid Plunger.



Service and Disassembly Procedures



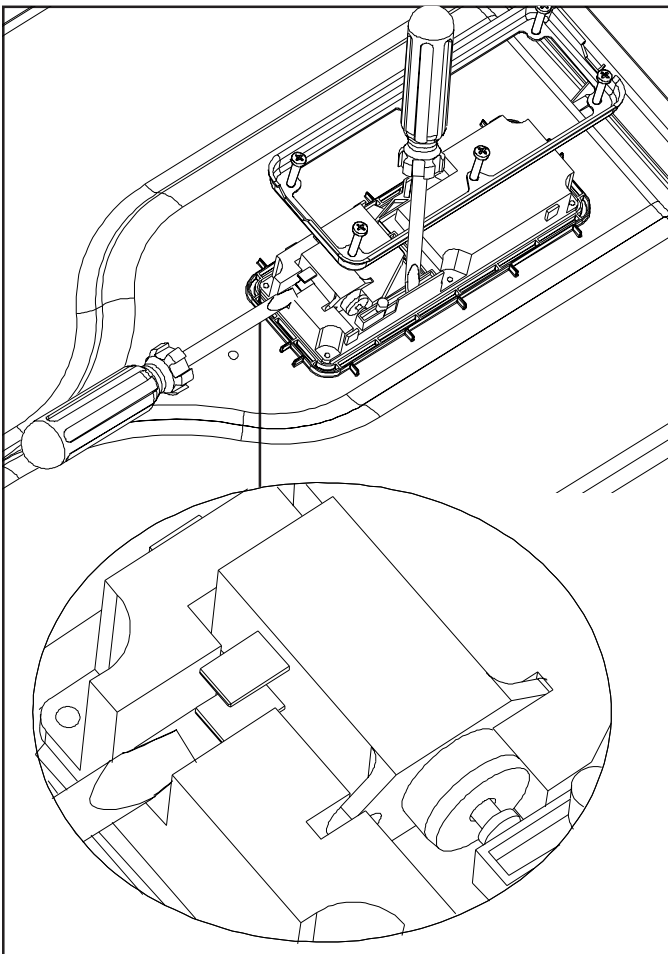
WARNING

To avoid risk of electrical shock, personal injury, or death, disconnect electrical power source to unit and discharge capacitor through a 10,000 ohm resistor before attempting to service, unless test procedures require power to be connected. Ensure all ground wires are connected before certifying unit as repaired and/or operational.

Wax Motor Detergent / Rinse Dispenser

Removal

1. **Disconnect power to the machine.**
2. Remove the Inner Door Panel. (See paragraph Inner Door Panel removal).
3. Remove the 6 mounting screws securing the Detergent Dispenser mounting bracket.
4. To remove the Wax Motor, pry out of retainer.
NOTE: It is not necessary to remove Detergent Dispenser before removing Wax Motor.

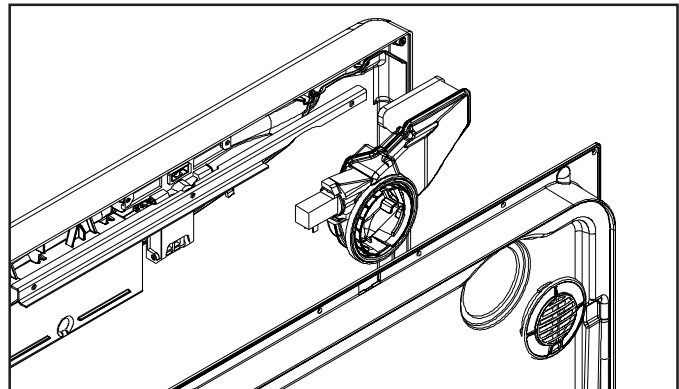


Vent

The Vent is located on the Inner Door Panel to allow moisture to be vented outside of the Dishwasher during the dry cycle.

Removal

1. **Disconnect power to the machine.**
2. Remove the Inner Door Panel. (See paragraph Inner Door Panel removal).
3. Rotate Vent Cover counter clockwise 1/4 turn and lift off.



Wire Cover

The Wire Cover retains the Wire Harness to the bottom of the Tub. It is located on the bottom side of the Tub.

Removal

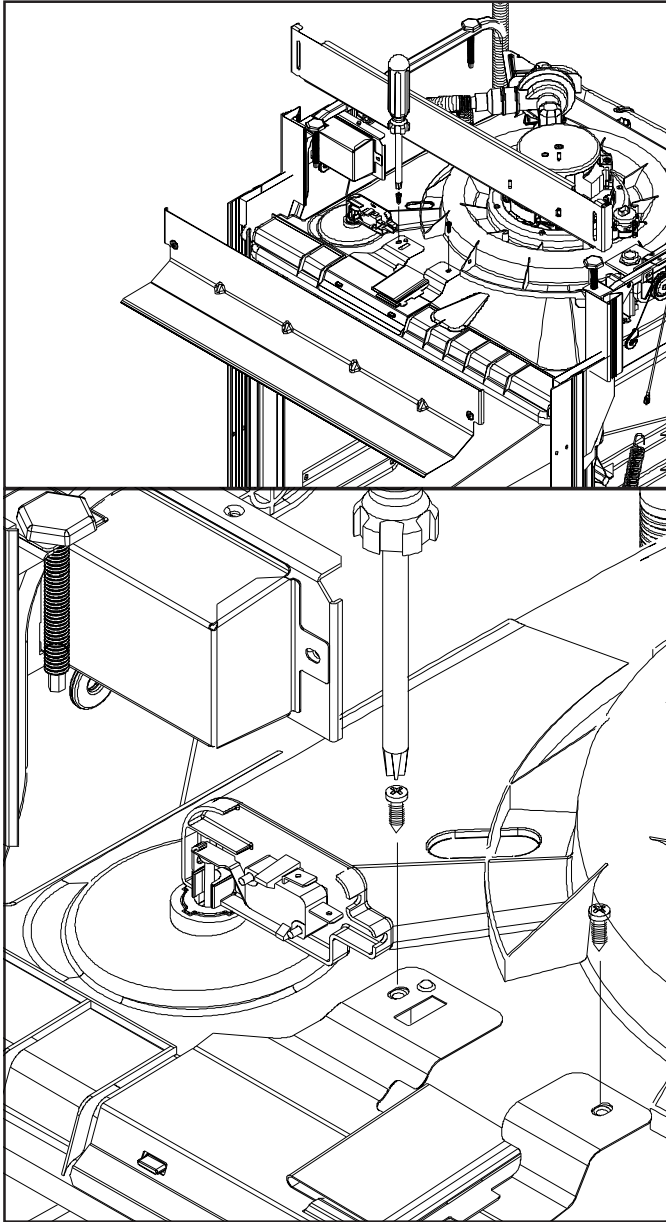
1. **Disconnect power to the machine.**
2. Remove Front Support and Toe Panel. (See paragraph Front Support and Toe Panel removal).
3. Remove 2 screws securing Wire Cover to bottom of Tub.
4. Feed Wire Harness out of bracket.

Service and Disassembly Procedures



WARNING

To avoid risk of electrical shock, personal injury, or death, disconnect electrical power source to unit and discharge capacitor through a 10,000 ohm resistor before attempting to service, unless test procedures require power to be connected. Ensure all ground wires are connected before certifying unit as repaired and/or operational.



Door Latch & Switch Holder Assembly

Two Door Switches are used in the Latch Assembly. Both switches are normally CLOSED and will open only when engaged by the Door Latch mechanism. Each switch is in series with respect to L1 and neutral line operations. Failure of either or both switches will result in rendering the Dishwasher inoperative.

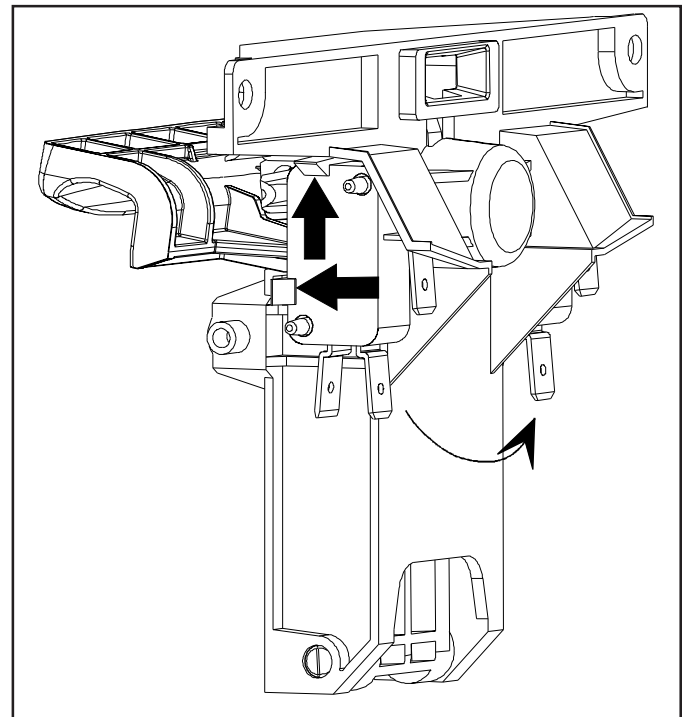
NOTE: Door Switches require no field adjustment.

Removal

1. Disconnect power to the machine.
2. Remove the Inner Door Panel. (See paragraph Inner Door Panel removal).
3. Lift Door Latch Assembly out.

Switch Removal

1. Disconnect power to the machine.
2. Remove the Inner Door Panel. (See paragraph Inner Door Panel removal).
3. Remove Door Latch and Switch Holder Assembly.
4. Depress locking tabs and lift switch from holder.



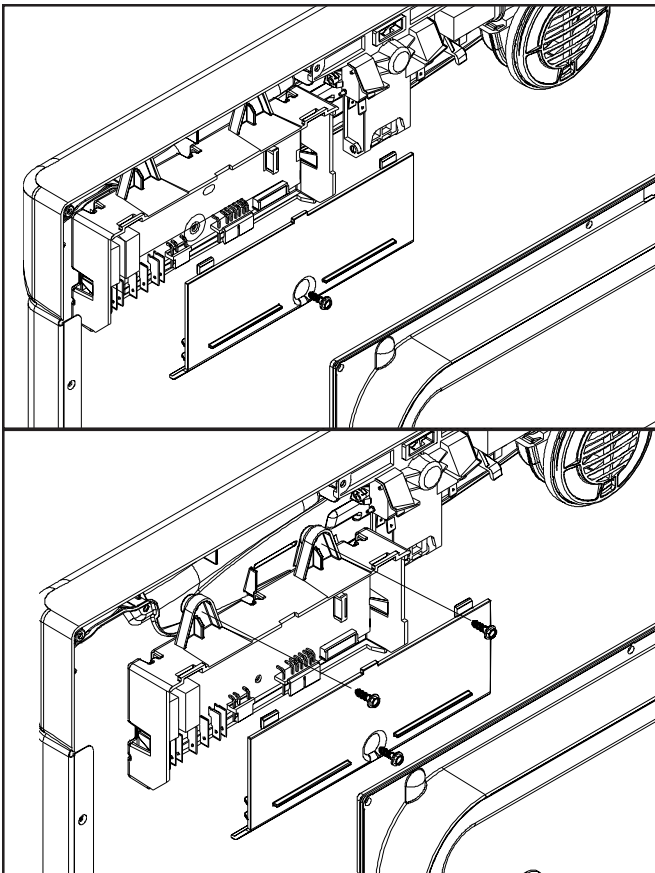
Service and Disassembly Procedures

To avoid risk of electrical shock, personal injury, or death, disconnect electrical power source to unit and discharge capacitor through a 10,000 ohm resistor before attempting to service, unless test procedures require power to be connected. Ensure all ground wires are connected before certifying unit as repaired and/or operational.

PC Board

Removal

1. **Disconnect power to the machine.**
2. Remove the Inner Door Panel. (See paragraph Inner Door Panel removal).
3. To access PC Board, remove 1/4" screw on PC Board Housing Cover.
4. To remove PC Board, loosen (2) 1/4" screws securing PC Board Base to Control Panel.
5. Remove pin and ribbon connectors from PC Board.
6. Depress tabs on PC Board Housing to remove PC Board.



Technical Sheet

The Dishwasher Technical Sheet is located behind the Toe Panel. The Schematic Diagram is unique to each model and contains the following:

- Timing Sequence Chart
- Load Readings
- Component Specifications
- Manual Function Test
- Field Service Test
- Electrical Schematic

Control Panel

The Membrane/Facia on the Control Console is not replaceable.

Removal

1. **Disconnect power to the machine.**
2. Remove the Inner Door Panel. (See paragraph Inner Door Panel removal).
3. Remove PC Board Housing Cover. (See paragraph PC Board removal).
4. Disconnect Membrane Switch from PC Board.
5. Remove PC Board Base.
6. Lift out Latch Assembly.
7. Remove 4 screws securing Control Panel to Outer Door.

NOTE: Facia is susceptible to damage during reinstallation.

DOOR LATCH STRIKE

The Door Latch serves as a mechanical actuator for Door Switch operation and provides door tension for proper door seal.

Service and Disassembly Procedures

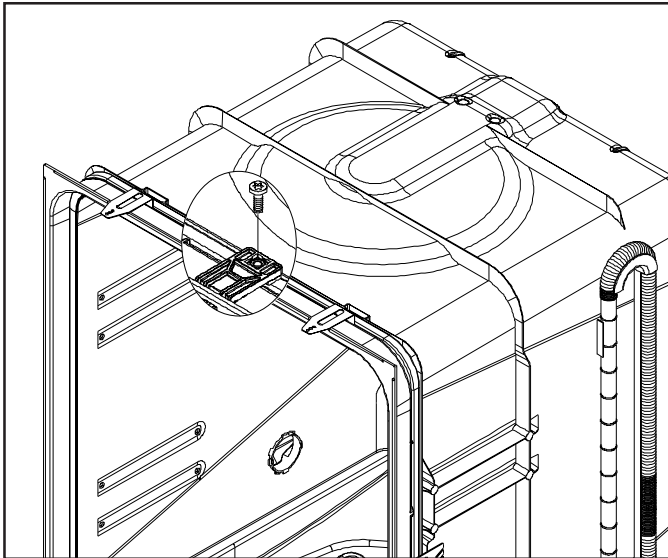


WARNING

To avoid risk of electrical shock, personal injury, or death, disconnect electrical power source to unit and discharge capacitor through a 10,000 ohm resistor before attempting to service, unless test procedures require power to be connected. Ensure all ground wires are connected before certifying unit as repaired and/or operational.

Removal

1. Disconnect power to the machine.
2. Remove Torx™ screw securing Strike to Tub.



5. Check for proper Door Latch adjustment to ensure proper door sealing.

Outer Door

Removal

1. Disconnect power to the machine.
2. Remove the Inner Door Panel. (See paragraph Inner Door Panel removal).
3. Remove 2 screws securing PC Board Base to Inner Door Panel.
4. Lift off Latch Assembly.
5. Lay Outer Door to it's fully open position.
6. Prop door open, by inserting an object into the 1/8" dia. hole in hinge bracket.

DOOR GASKET

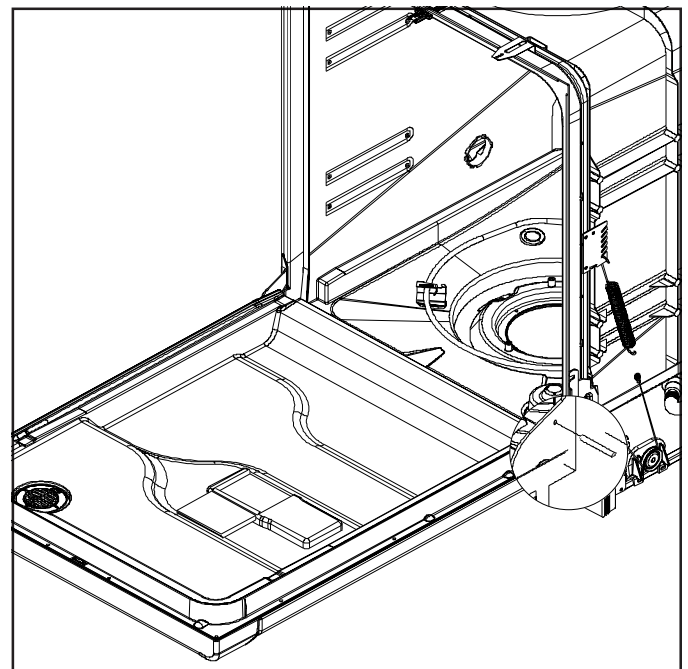
The Door Gasket provides a seal between the Door and the Tub.

Removal

1. Open Door.
2. From either corner, pull gasket up and out of tub recess.

Replacement

1. To ease installation, wet gasket with water.
2. Starting in the lower right corner, Gently work gasket into the recess of Tub up the right side.
3. With other end, place gasket flush with the Tub in lower left corner.
4. Gently work gasket in to the recess of the Tub, up the left side, and across the top.



Service and Disassembly Procedures



WARNING

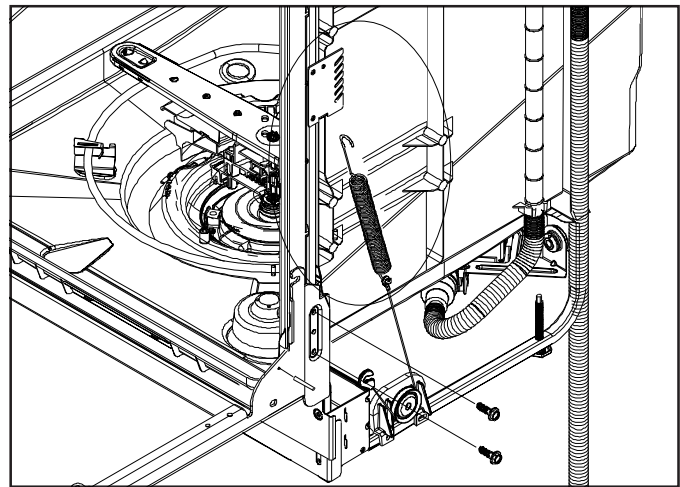
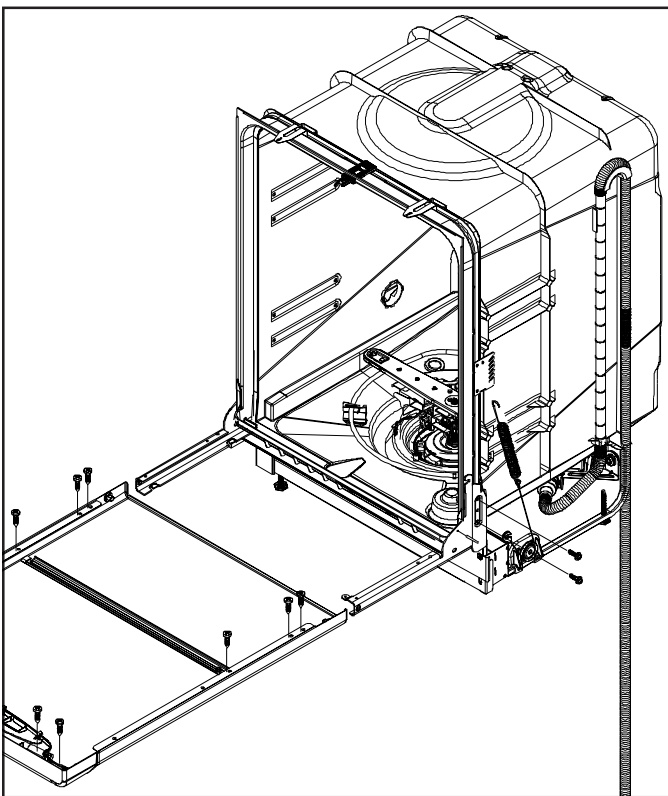
To avoid risk of electrical shock, personal injury, or death, disconnect electrical power source to unit and discharge capacitor through a 10,000 ohm resistor before attempting to service, unless test procedures require power to be connected. Ensure all ground wires are connected before certifying unit as repaired and/or operational.

7. Remove 4 screws securing Control Panel to Outer Door.
8. Remove 4 screws securing Outer Door to Door Hinges. (2 each side).
9. Slide Outer Door off of Door Hinges.



WARNING

Do not remove Door Prop until tension is relieved from door spring.



4. Disconnect Cable Link from Hinge. (**See warning above**).
5. Lift Hinge out of Hinge Support.
6. Remove 2 attachment screws if replacing hinge support.

Door Hinge and Support

Removal

1. **Disconnect power to the machine.**
2. Remove the Outer Door Panel. (See paragraph Outer Door Panel removal).
3. Remove Dishwasher from cabinets.

Door Spring

The Door Springs provide a counter balance to the weight of the door.

The Door Spring position is preset by model at the factory. If possible note the position of the spring. This may be determined by wear marks. Door Spring adjustment Brackets are located on the lower right and left side of the Dishwasher. Spring tension is achieved by positioning the spring in the slots provided. The higher position increases spring tension.

NOTE: Always point spring hooks toward the Dishwasher.

Service and Disassembly Procedures



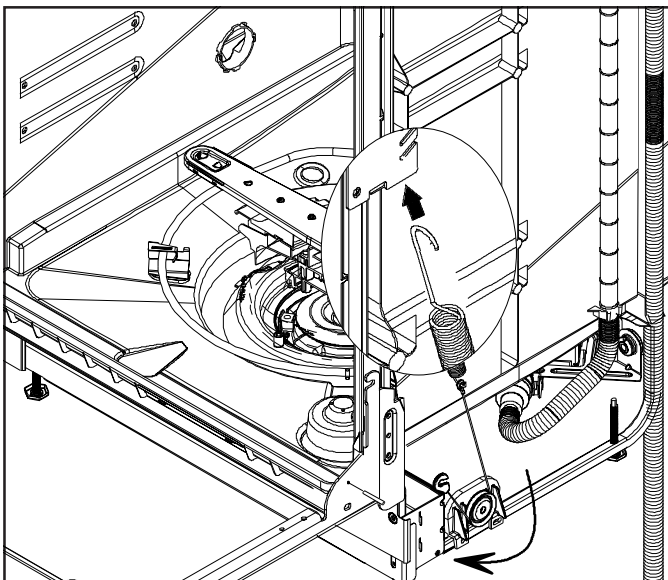
WARNING

To avoid risk of electrical shock, personal injury, or death, disconnect electrical power source to unit and discharge capacitor through a 10,000 ohm resistor before attempting to service, unless test procedures require power to be connected. Ensure all ground wires are connected before certifying unit as repaired and/or operational.

Door Spring and Component Replacement

NOTE: Always point spring hooks toward the Dishwasher.

1. Disconnect power to the machine.
2. Remove Dishwasher from cabinets.
3. Attach Door Cable Link to Door Hinge.
4. Attach Cable to Cable Link.
5. Route Cable under Cable Roller.



6. Attach Cable to short hook of Spring.
7. Place large hook end of Spring into Spring Adjustment Bracket in proper location.

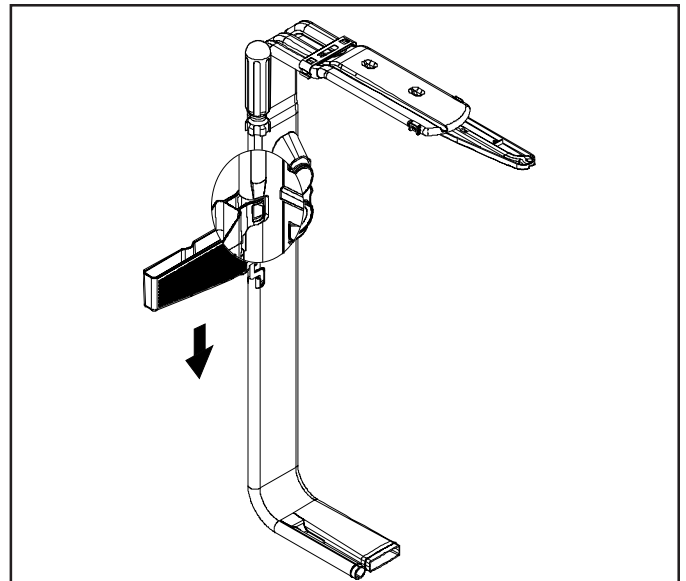
NOTE: To replace Cable Bracket, remove 2 Torx™ screws securing bracket to frame. See procedure above for reassembly of Spring and Cable.

Over Pressure Filter

The purpose of the Over Pressure Filter is to filter sediment missed by the lower filter rather than circulating it back through the wash.

Removal

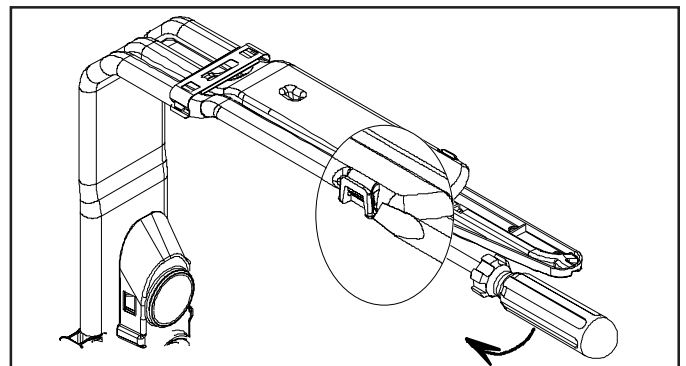
1. Spread locking tabs.
2. Rotate filter down and remove from manifold.



Top Wash Arm

Removal

1. Spread locking tabs and remove Wash Arm Retainer.



Service and Disassembly Procedures



WARNING

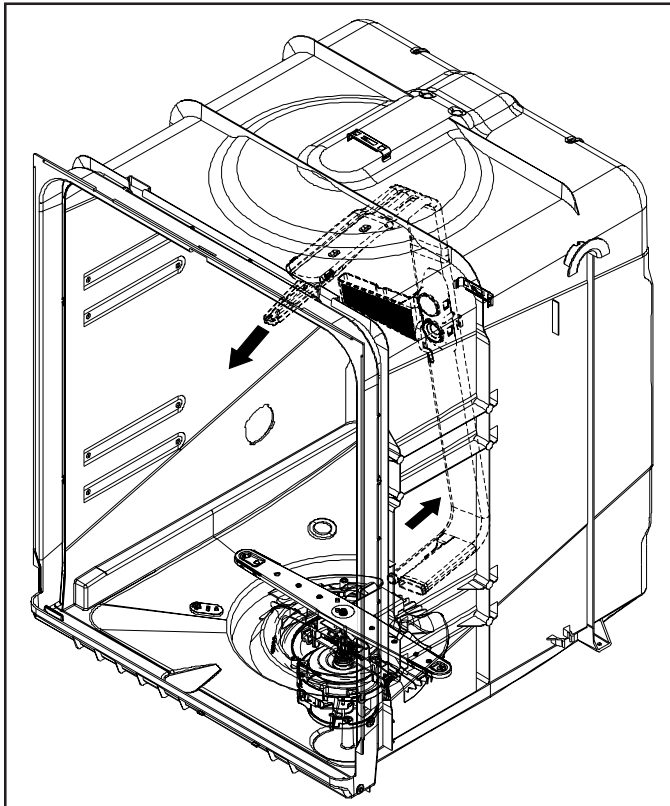
To avoid risk of electrical shock, personal injury, or death, disconnect electrical power source to unit and discharge capacitor through a 10,000 ohm resistor before attempting to service, unless test procedures require power to be connected. Ensure all ground wires are connected before certifying unit as repaired and/or operational.

Manifold

Water is supplied to the Top and Center Wash Arms through this tube via the Pump Assembly. The Manifold attaches to the Pump Assembly and runs vertically up the rear and along the top of the Dishwasher Tub. The Manifold is attached to the Tub with a clip.

Removal

1. **Disconnect power to the machine.**
2. Remove Racks, Stops, and Rack Assemblies.
3. Spread Manifold Clips located on the back and top of Tub.
4. Tip top of Manifold towards door opening slightly. Disengage the snap located on the bottom of the Manifold, locking the Manifold to the Discharge Housing .
5. Slide Manifold back and out of the Pump Assembly.

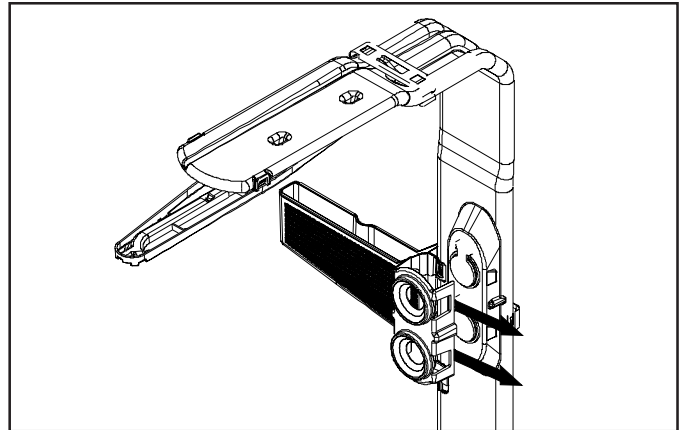


Docking Station

The purpose of the Docking Station is to seal the water flow to the upper rack Wash Arm.

Removal

1. Slide Upper Rack forward to gain access to Docking Station.
2. Spread sides of Docking Station and remove from Manifold.



Lower Wash Arm

Water is supplied to the Lower Wash Arm via the Pump Assembly.

Removal

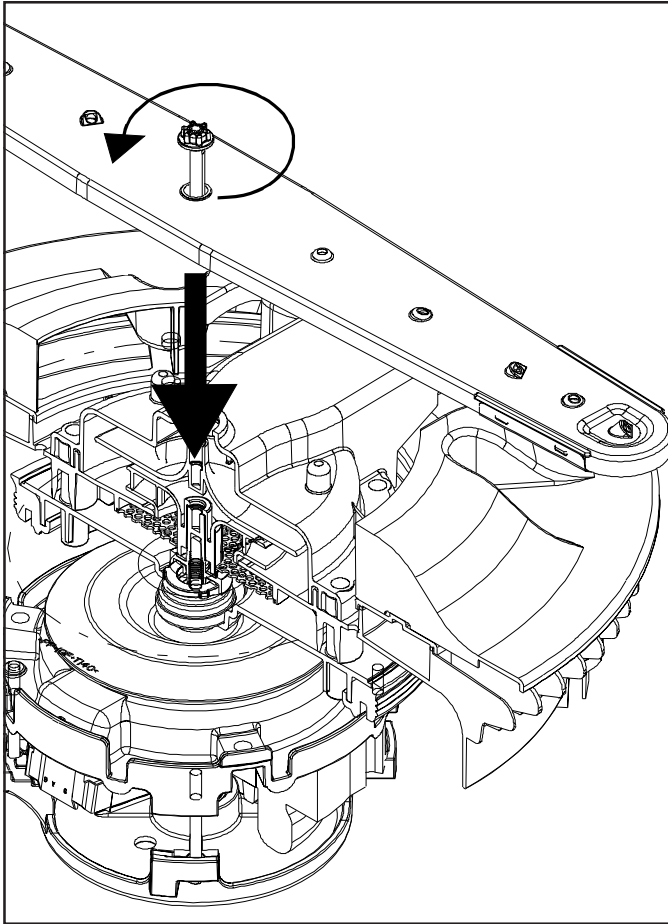
1. **Disconnect power to the machine.**
2. Remove lower Rack Assembly.
3. Loosen Wash Arm Hub and Pivot.
4. Lift Wash Arm out of Dishwasher.

Service and Disassembly Procedures



WARNING

To avoid risk of electrical shock, personal injury, or death, disconnect electrical power source to unit and discharge capacitor through a 10,000 ohm resistor before attempting to service, unless test procedures require power to be connected. Ensure all ground wires are connected before certifying unit as repaired and/or operational.



Float

The Float Assembly controls the amount of water fill.

The Float Switch is wired in series with the Water Valve. When the Float Switch OPENS, the electrical circuit to the Water Valve is opened, causing the Water Valve to shut off.

A normal fill is when water makes contact with heating element in bottom of dishwasher.

To Check Float Switch

1. Disconnect power to the machine.

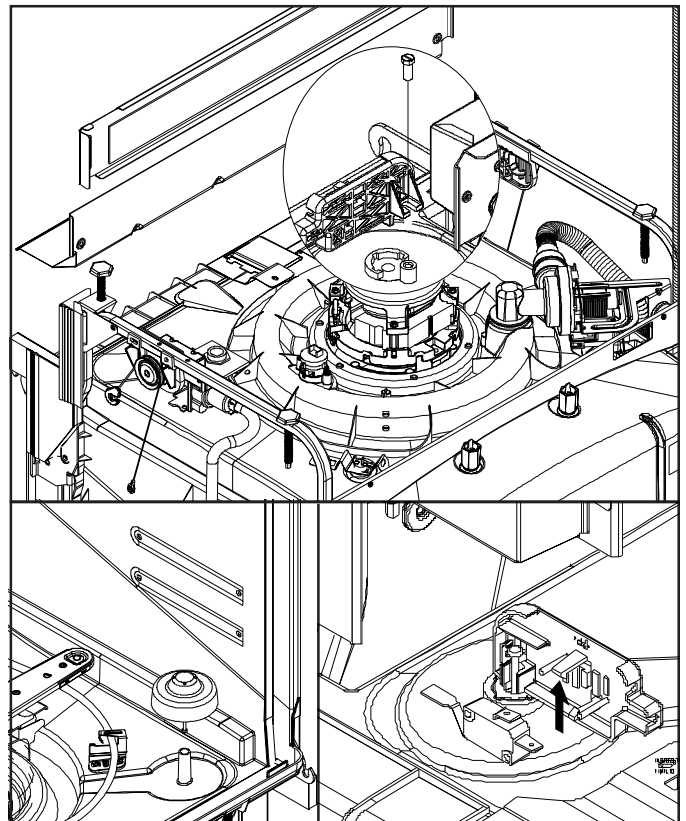
2. Perform continuity check of switch across terminals.

Closed- Actuator of switch depressed.

Open- Actuator of switch released.

Removal

1. Disconnect power to the machine.
2. Lift Float straight up from Float Guide.
3. Remove Front Support and Toe Panel. (See paragraph Front Support and Toe Panel removal).
4. Remove electrical connectors on switch.
5. Float Switch mounting screw is located behind Float Switch mounting plate. Loosen 1/4" screw several turns to remove entire assembly.
6. Spread locking tabs on Float Switch mounting plate to remove switch.



Service and Disassembly Procedures



WARNING

To avoid risk of electrical shock, personal injury, or death, disconnect electrical power source to unit and discharge capacitor through a 10,000 ohm resistor before attempting to service, unless test procedures require power to be connected. Ensure all ground wires are connected before certifying unit as repaired and/or operational.

Heating Element

The purpose of the Heating Element is to provide heat during the dry cycle and increase water temperature during portions of the wash cycle when certain options are selected.

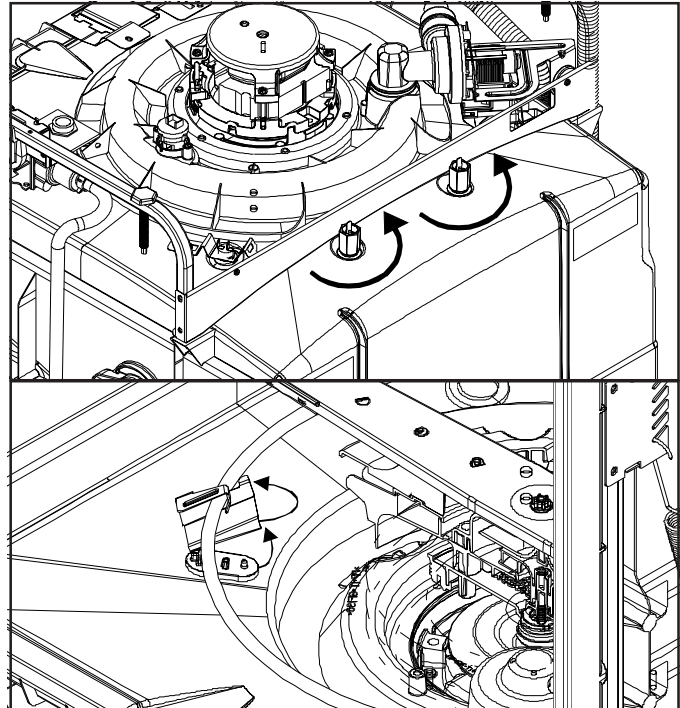
The element is dual wattage. During wash cycles, it is rated at 830 watts. During the dry portion of the cycle, it is rated at 650 watts. Increased wattage is possible because of water flowing across the element sheath.

To Check Heating Element

1. **Disconnect power to the machine.**
2. Remove Front Support and Toe Panel. (See paragraph Front Support and Toe Panel removal).
3. Locate element terminals, remove wires, perform continuity check across terminals.
4. The resistance of the element should be approximately 22 ohms. If OPEN, replace element.
5. Perform continuity check from each terminal to the element sheath. NO continuity should be present. If continuity is present, replace the element.

Removal

1. **Disconnect power to the machine.**
2. Remove Front Support and Toe Panel. (See paragraph Front Support and Toe Panel removal).
3. Locate element terminals and remove wires.
4. Remove mounting nuts securing Heating Element to Tub.
5. Release Heating Element by tipping Heater Support Brackets towards the Tub front corners and rotating until bracket unlocks.
6. Lift element out of Tub.



NOTE: Before reinstalling Heating Element, examine condition of O-ring seals that are located between element leads and tub basin. Replace if needed. Failure of seal will result in a water leak and possible floor damage.

Wattage Checks

To verify wattage of the element, take an amperage reading at the blue wire of the Heating Element. Multiply the amperage reading by voltage at the Dishwasher (Amps x Volts = Watts).

Normal element amperage during the dry portion of the cycle is 5.0 to 5.5 amps. When used during a wash cycle, normal amperage is 7.0 to 7.5 amps.

Service and Disassembly Procedures



WARNING

To avoid risk of electrical shock, personal injury, or death, disconnect electrical power source to unit and discharge capacitor through a 10,000 ohm resistor before attempting to service, unless test procedures require power to be connected. Ensure all ground wires are connected before certifying unit as repaired and/or operational.

Thermostats

Two types of thermostats are used in the Dishwasher. A Thermistor and a Limit Thermostat.

The Thermistor is used to sense water temperature when certain cycles or options are selected (Refer to Cycles & Options section). The Thermistor is part of the sensor mounted in the Tub.

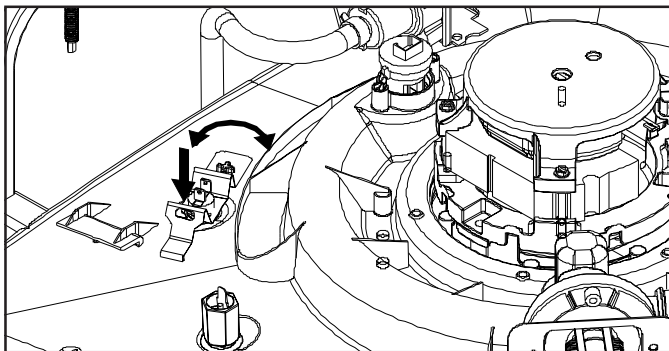
The other thermostat is a Limit Thermostat and is used as a protective device to sense overheating of the Heating Element. It is located behind the Front Support and Toe Panel. The limit is mounted to the tub bottom. This thermostat has 1/4" terminals and has a normally CLOSED position.

NOTE: Refer to section labeled Technical Data for specifications on thermostat.

Removal

1. Disconnect power to the machine.
2. Remove Front Support and Toe Panel. (See paragraph Front Support and Toe Panel removal).
3. Press down on spring clip to release from Tub and rotate till clip unlocks.
4. Remove wires from thermostat.

NOTE: When reinstalling, proper location and wiring of thermostat(s) is critical.



Water Valve

The valve is located behind the Support and Toe Panel, mounted to the left side of the Tub Support. Inlet water supply to the valve is directly below the valve.

NOTE: Turn off water supply to the Dishwasher before servicing this component.

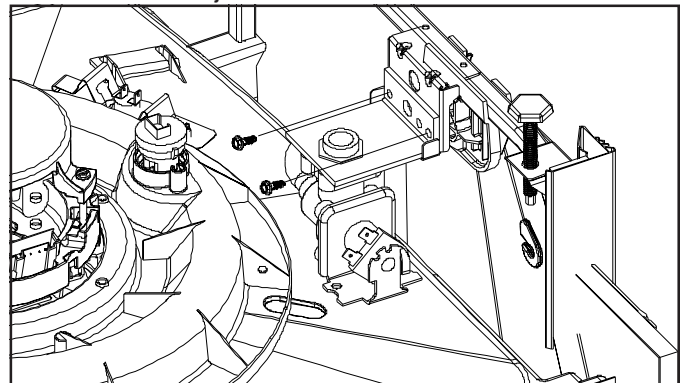
The valve is designed to operate at water pressures of 15 - 120 psi.

NOTE: Low water pressure will affect the ability of the Water Valve to properly fill Tub in the required amount of time.

Incoming water temperature should be a minimum of 120 degrees F. However, a higher water temperature will enhance washing and drying results.

Removal

1. Disconnect power to the machine.
2. Turn off water supply to the Dishwasher.
3. Remove Support and Toe Panels. (See paragraph Front Support and Toe Panel removal).
4. Remove wires from Valve Solenoid.
5. Remove 2 1/4" screws securing Water Valve to Water Valve Bracket.
6. Disconnect injector hose at valve outlet.



Service and Disassembly Procedures



WARNING

To avoid risk of electrical shock, personal injury, or death, disconnect electrical power source to unit and discharge capacitor through a 10,000 ohm resistor before attempting to service, unless test procedures require power to be connected. Ensure all ground wires are connected before certifying unit as repaired and/or operational.

Checking Valve Operation

No Fill

1. **Disconnect power to the machine.**
2. Remove Support and Toe Panel. (See paragraph Front Support and Toe Panel removal).
3. Remove wires from Valve Solenoid.
4. Perform continuity check across terminals of Solenoid. If NO continuity is present, replace Water Valve.

Alternate Test: Use Motor Test Cord hooked directly to the Valve Solenoid. Turn water supply on and plug in test cord. If NO water is present, replace Water Valve.

Overfill

If Water Valve allows water to flow without power to Valve Solenoid, replace the Water Valve.

NOTE: The Water Valve is a non-repairable component. The only servicing required is to clean the Inlet Screen if needed.

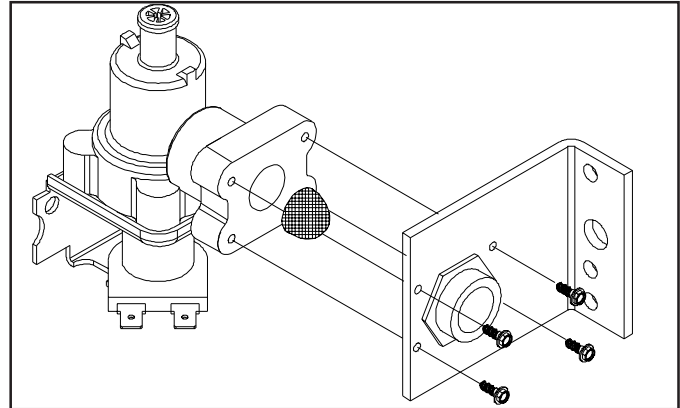
Inlet Screen

Sediment on the Inlet Screen can hinder water flow through the Water Valve.

Cleaning

1. **Disconnect power to the machine.**
2. Remove Water Valve from the Dishwasher (See Water Valve Removal).
3. Remove 4 screws securing valve body to Water Inlet Mounting Bracket.
4. Clean screen.

NOTE: Make sure to reattach the ground wire to the mounting bracket.

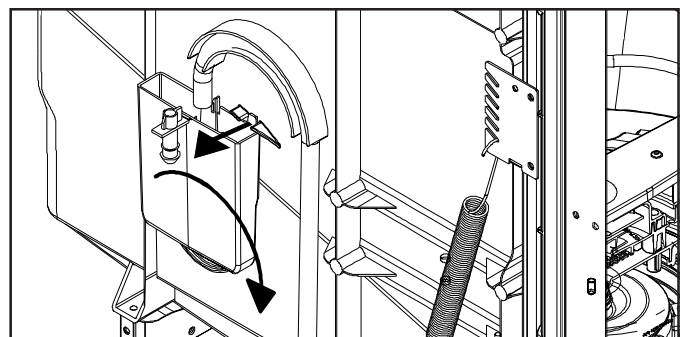


Air Water Inlet

The Air Water Inlet is located on the left side of the Tub, and mounted to the exterior of Tub. Removal of the Air Water Inlet requires the removal of the Dishwasher from under the counter.

Removal

1. **Disconnect power to the machine.**
2. Remove the Air Water Inlet Cover located on the left inside wall of Tub. Pull cover straight out to remove.
3. Carefully pull back insulation from the left side of the Tub.
4. Remove rubber hose from channel in Tub, or slip off of fitting on inlet.
5. Grasp upper portion of the Air/Water Inlet. Pull and rotate the Air/Water Inlet clockwise to release it from the Tub.



Service and Disassembly Procedures

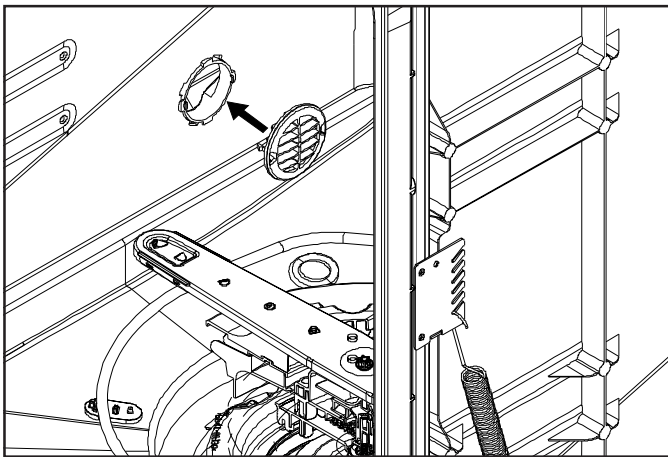


WARNING

To avoid risk of electrical shock, personal injury, or death, disconnect electrical power source to unit and discharge capacitor through a 10,000 ohm resistor before attempting to service, unless test procedures require power to be connected. Ensure all ground wires are connected before certifying unit as repaired and/or operational.

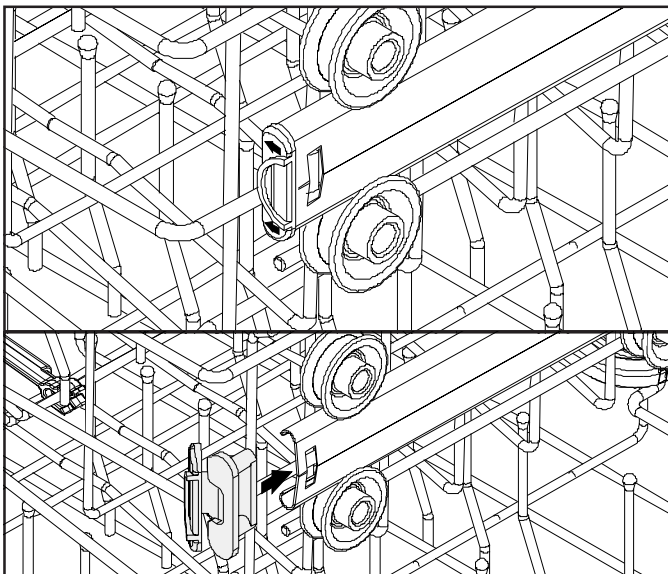
Replacement

1. Examine the Air Water Inlet Seal for damage.
2. Align Air Water Inlet tabs with notches in Tub, and rotate counterclockwise into position.
3. Replace Air Water Inlet Cover inside Tub.



Upper Rack Removal

To remove Upper Rack, remove Rack Stops. Unlatch stop by moving as shown in direction of arrow toward center of Tub.



Tub Wheels

To remove, unlatch rear Rack Stop. Slide track out of Dishwasher. Remove tub wheel shaft with Torx™ driver.

NOTE: Tub wheel shaft contains a small steel washer.

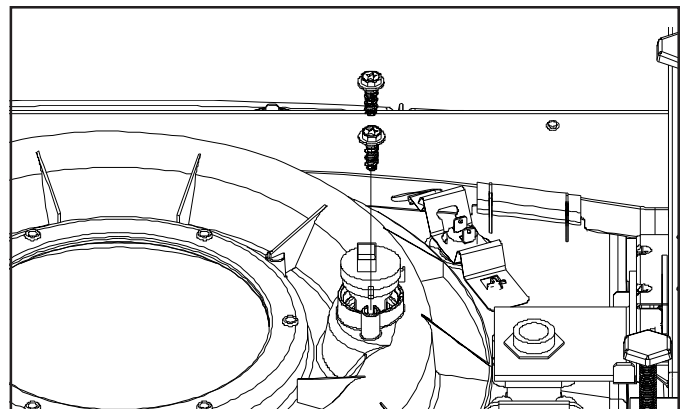
Turbidity Sensor

The Turbidity Sensor is located on the bottom and to the left of the Pump Module Assembly. The sensor measures soil level in the water. Turbidity is determined by a beam of infrared light directed from one probe and read by the other. This information is interpreted as water soil level.

Removal

1. **Disconnect power to the machine.**
2. Remove Front Support and Toe panel. (See paragraph Front Support and Toe Panel removal).
3. Remove the 2 Torx™ screws securing the sensor to the tub bottom.
4. Pull sensor straight out.

NOTE: When installing sensor, examine the "O" ring seal and replace if necessary. The sensor has alignment ribs to aid in installation.



Service and Disassembly Procedures



WARNING

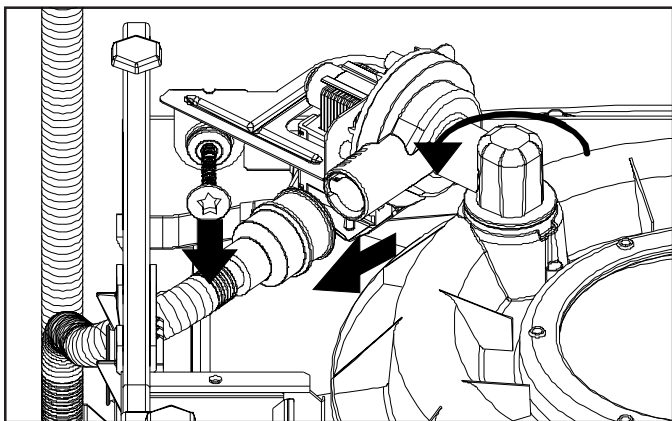
To avoid risk of electrical shock, personal injury, or death, disconnect electrical power source to unit and discharge capacitor through a 10,000 ohm resistor before attempting to service, unless test procedures require power to be connected. Ensure all ground wires are connected before certifying unit as repaired and/or operational.

Drain Pump

The Drain Pump will drain water from the Dishwasher in various cycles. If a failure is suspected, the entire Pump Assembly needs to be replaced.

Removal

1. Disconnect power to the machine.
2. Remove Support and Toe Panel. (See paragraph Front Support and Toe Panel removal).
3. Disconnect lead wire from Pump Assembly.
4. Disconnect drain hose from Pump Assembly.
5. Remove Torx™ screw through bushing in Pump Mounting Plate.
6. Rotate Pump Assembly to unlock from Tub.
3. Remove Wash Manifold
4. Loosen Wash Arm Hub and Pivot.
5. Remove Spray Arm.
6. Remove 3 Torx™ screws securing Filter Guard.
7. Entire Wash Motor Assembly can be lifted from Tub for further disassembly.
8. Remove and replace Pump Gasket if necessary.
9. Disconnect wiring harness from Wash Motor Assembly.
10. Remove 6 Torx™ screws securing Discharge Housing.
11. Remove Torx™ screw securing Wash Impeller . See bottom side of motor for access hole to lock motor rotation while removing Torx™ screw. Insert screw driver tip into access hole while removing screw.

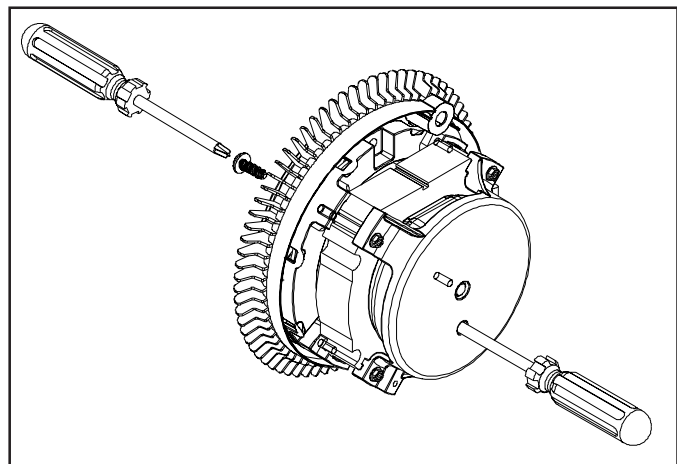


Wash Motor Assembly

The Wash Motor Assembly is designed to provide recirculating, filter, wash and particle chopping functions for the dishwasher cycles.

Removal

1. Disconnect power to the machine.
2. Remove racks.
12. Lift off Filter/Flowplate Assembly to access Chopper Plate.
13. Remove 3 Torx™ screws to remove Chopper Plate.
14. Lift off Chopper

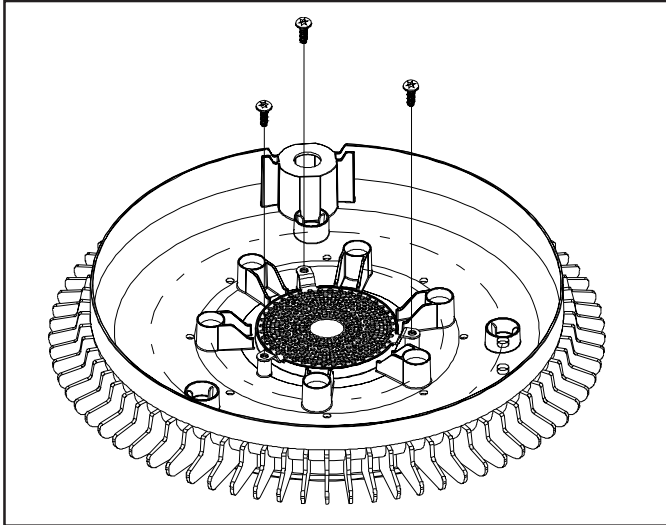


Service and Disassembly Procedures

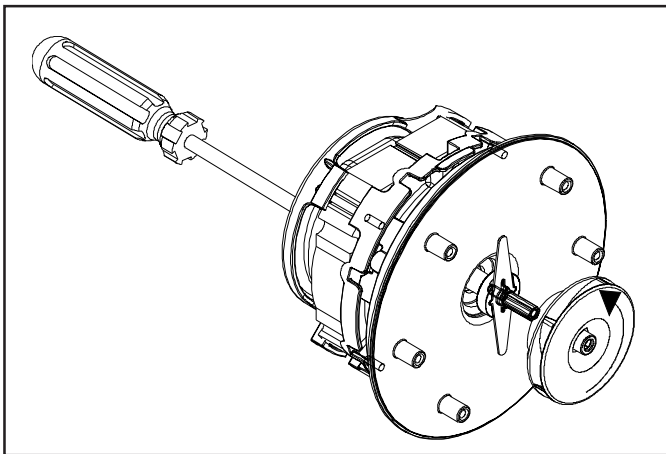


WARNING

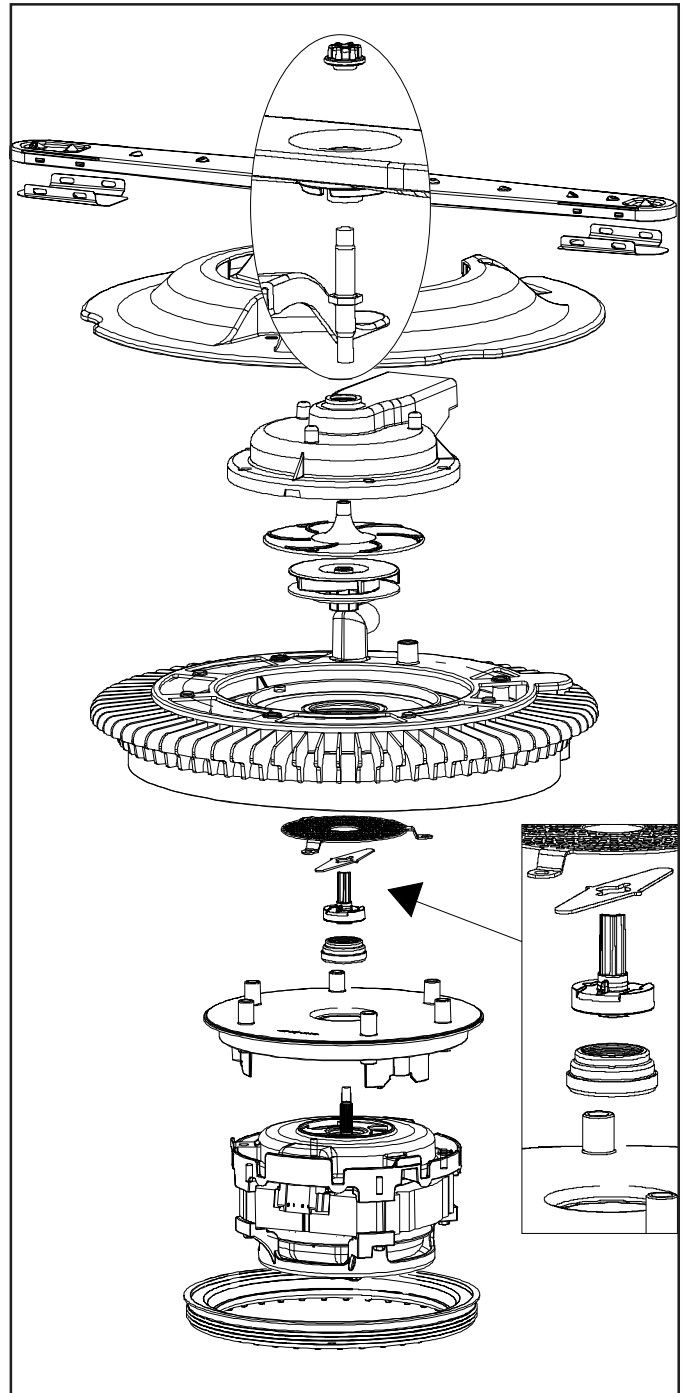
To avoid risk of electrical shock, personal injury, or death, disconnect electrical power source to unit and discharge capacitor through a 10,000 ohm resistor before attempting to service, unless test procedures require power to be connected. Ensure all ground wires are connected before certifying unit as repaired and/or operational.



15. Remove Chopper Sleeve by using Impeller as a wrench. Lock motor rotation using the access hole provided in back of motor.



16. Lift off Seal Seat Assembly.



Appendix A

Built-In Dishwasher

Lavavajillas Empotrado/Lave-vaisselle encastré

Installation Instructions/Instrucciones de Instalación/Instructions d'installation





Built-In Dishwasher

Installation Instructions

Leave Installation Instructions and User's Guide with Owner

CAUTION: Disconnect electrical power before you start!

ALL ELECTRICAL WIRING, GROUNDING AND PLUMBING SHOULD BE DONE IN ACCORDANCE WITH NATIONAL AND LOCAL CODES BY QUALIFIED INDIVIDUALS.

ELECTRICAL REQUIREMENTS

This dishwasher is designed for operation on an individual 120 VAC, 60 Hz grounded electrical circuit. Use required fuse (15 amp) or comparable circuit breaker. Two wire with ground service to the dishwasher is recommended for connection at the terminal box and for grounding.



WARNING

CAUTION: To prevent accidental contact with electrical connections, built-in dishwasher models must not be connected to a power source unless the dishwasher is completely enclosed, with front panels in place. If the back or either side of the dishwasher is exposed, a panel must be used to complete this enclosure. Failure to follow this warning could result in death or serious injury.

GROUNDING INSTRUCTIONS

This appliance must be connected to a grounded metal, permanent wiring system; or an equipment-grounding conductor must be run with the circuit conductors and connected to the equipment-grounding terminal or lead on the appliance.



WARNING

CAUTION: To prevent the possibility of electrical shock, this dishwasher, as other electrical appliances, must be adequately grounded. It is the responsibility of the installer at the point of installation, taking into consideration local conditions and requirements. Failure to follow this warning could result in death or serious injury.

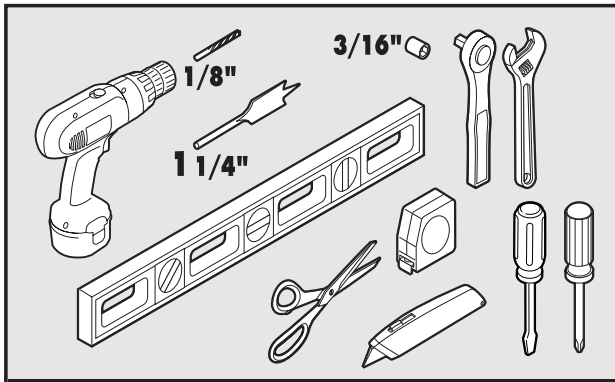
PLUMBING REQUIREMENTS

CHECK LOCAL PLUMBING CODES FOR APPROVED PLUMBING PROCEDURES AND ACCESSORIES. ALL PLUMBING SHOULD BE DONE IN ACCORDANCE WITH NATIONAL AND LOCAL CODES.

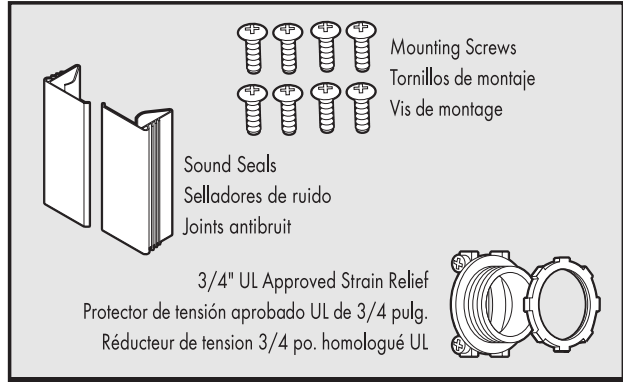


WARNING

CAUTION: Disconnect electrical power to dishwasher before you start! Failure to follow this warning could result in death or serious injury.



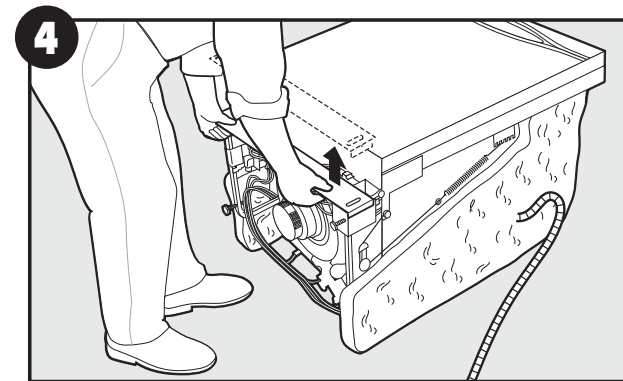
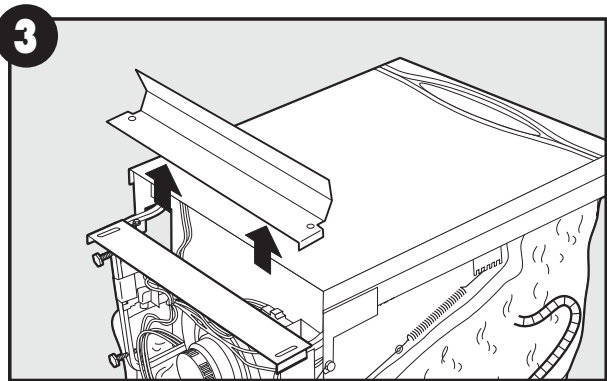
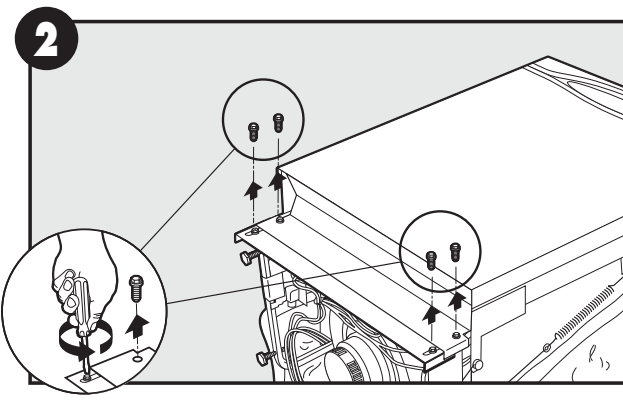
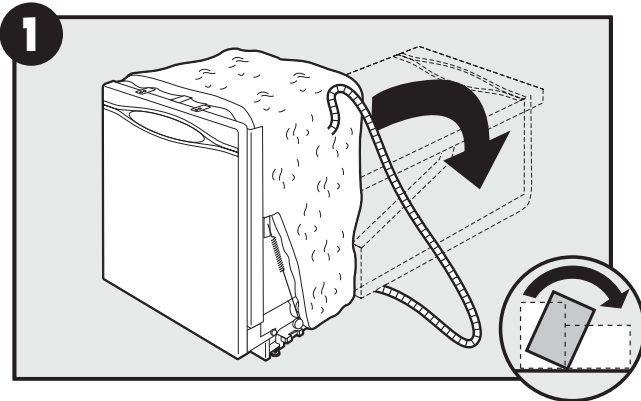
Tools Needed/Herramientas necesarias/Outils requis

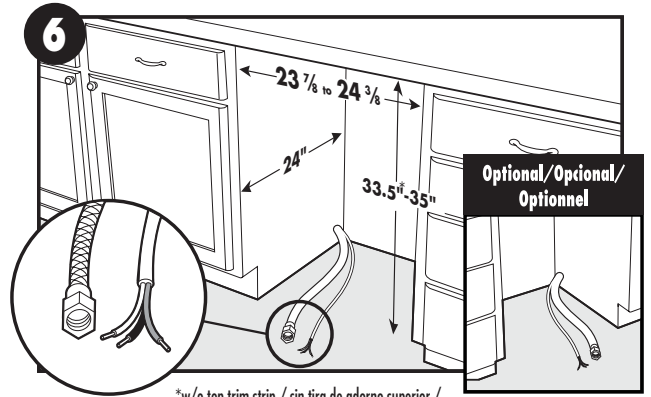
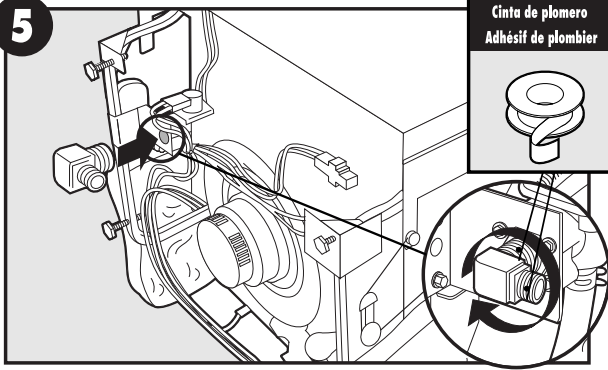


Materials Provided/Materiales incluidos/Fournis

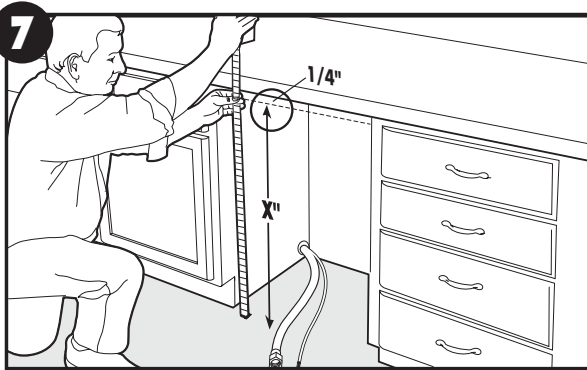
 <p>3/8" Male (N.P.T.) Compression or Flare Elbow Codo macho abocinado o de compresión de 3/8 pulg. (N.P.T.) Coude à compression ou évase NPT mâle 3/8 po, adhésif de plombier</p>	 <p>Plumbers' Tape Cinta de plomero Adhésif de plombier</p>	 <p>2 Appropriate Sized Wire Nuts 2 Tuercas para cable de tamaño apropiado 2 Écrous sur mesure</p>	 <p>1.25" Hose Clamp Abrazadera para manguera de 1.25 pulg. Collier de serrage 1, 25 po.</p>
---	--	--	---

Materials Needed (Not Provided)/Materiales necesarios (no incluidos)/Matériaux Requis (non Fournis)

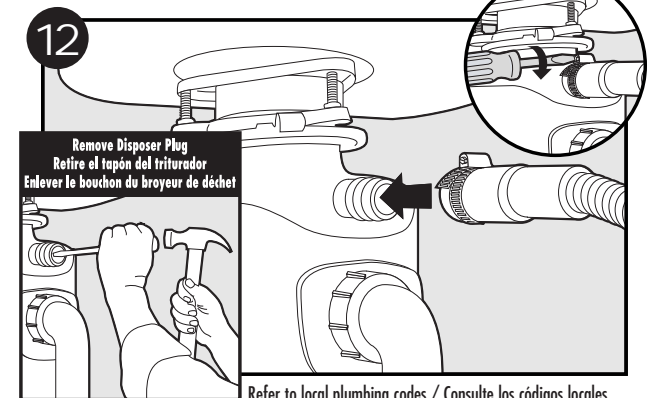
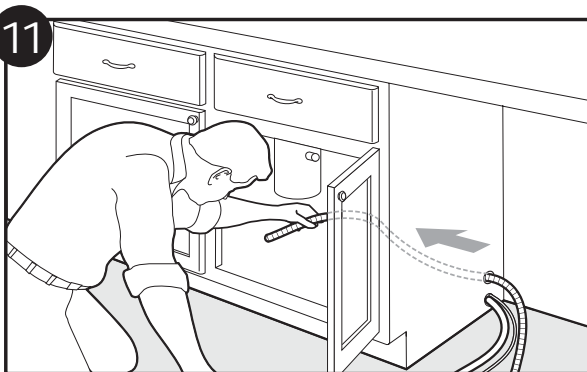
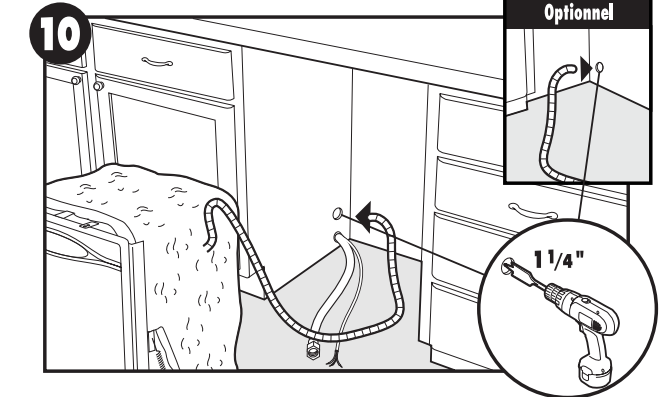
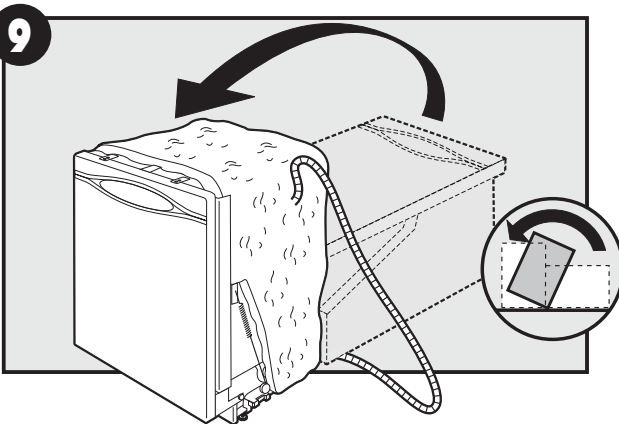
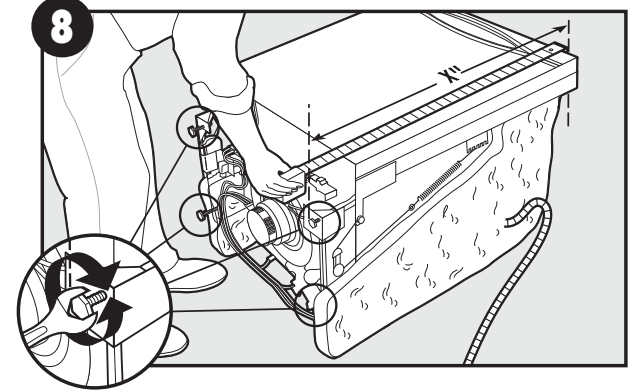




*w/o top trim strip / sin tira de adorno superior /
Mesure sans la tringle de finissage



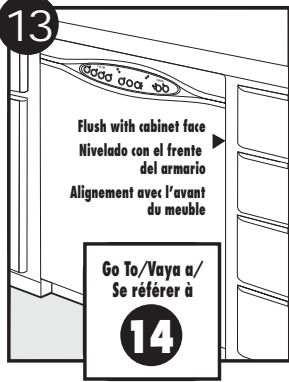
X = Opening Height Minus 1/4" / X = Altura de apertura menos 0.6 cm (1/4 pulg.) /
X = Hauteur d'ouverture moins 1/4 po.



Refer to local plumbing codes / Consulte los códigos locales
de plomería / Reportez-vous aux codes locaux de la plomberie



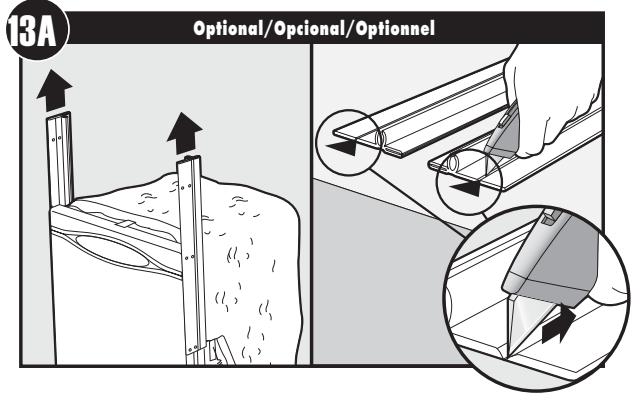
13



Optional/Opcional/Optionnel

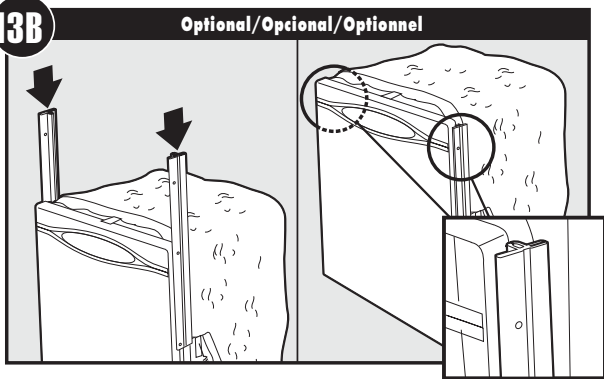


13A

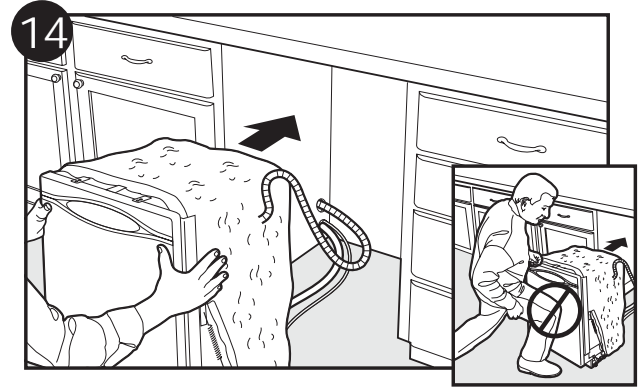


13B

Optional/Opcional/Optionnel

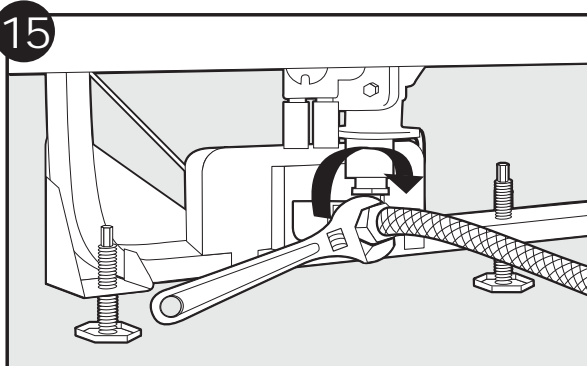


14

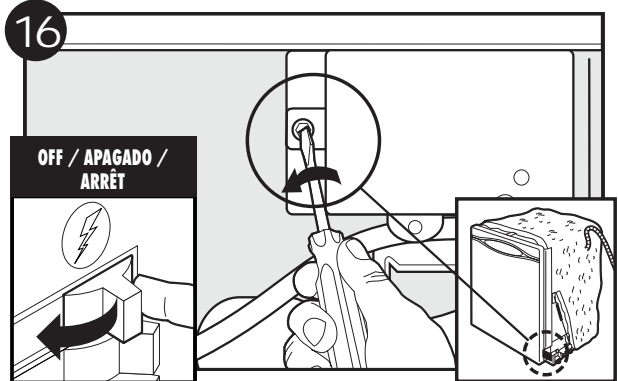


Panel damage may occur/Puede dañarse el panel/Endommagement du panneau possible

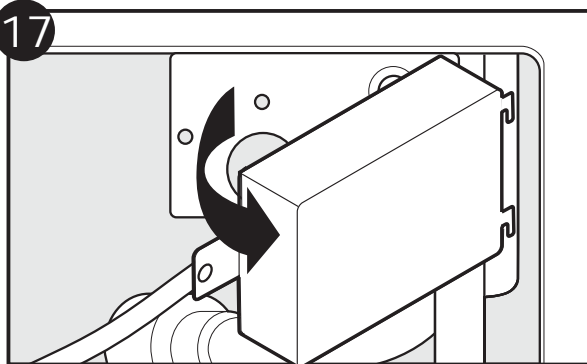
15



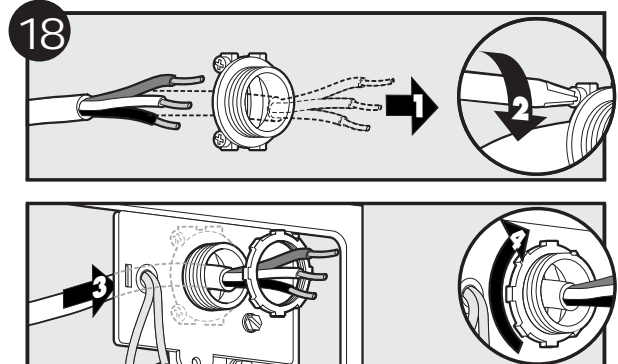
16



17

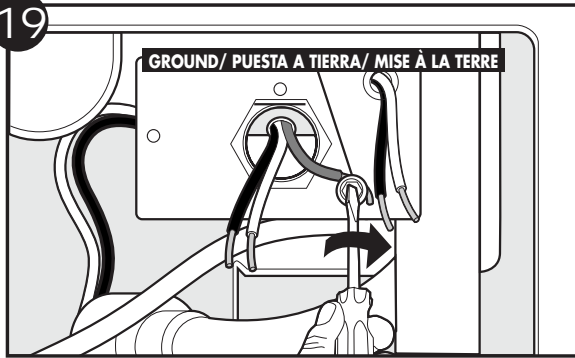


18

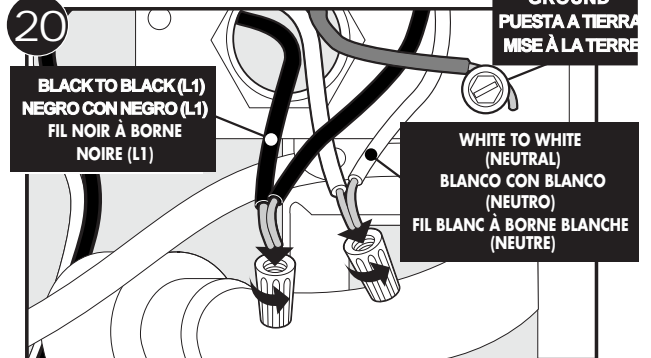




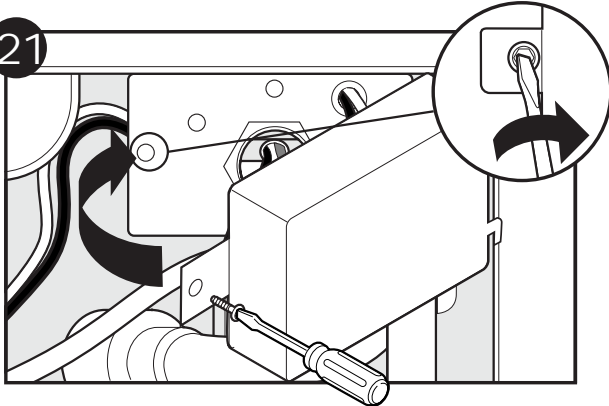
19



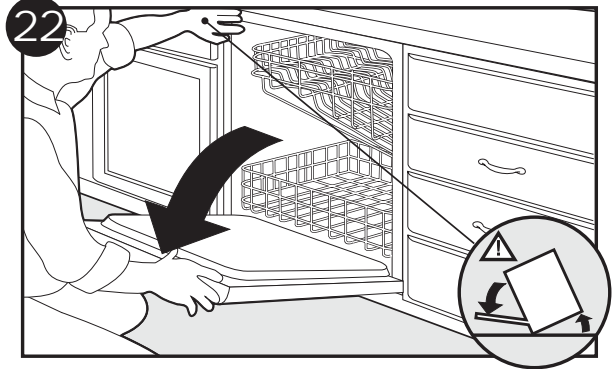
20



21



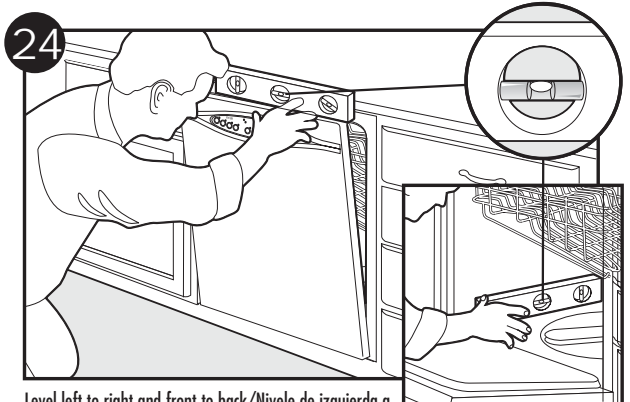
22



23

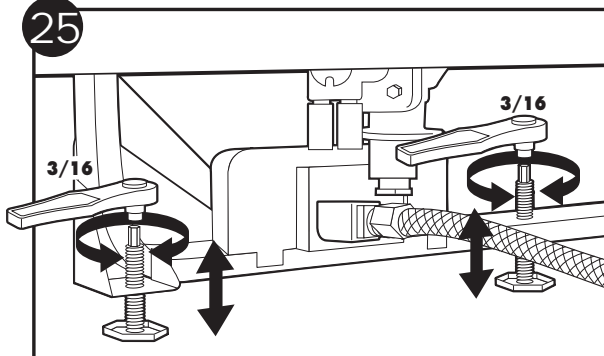


24



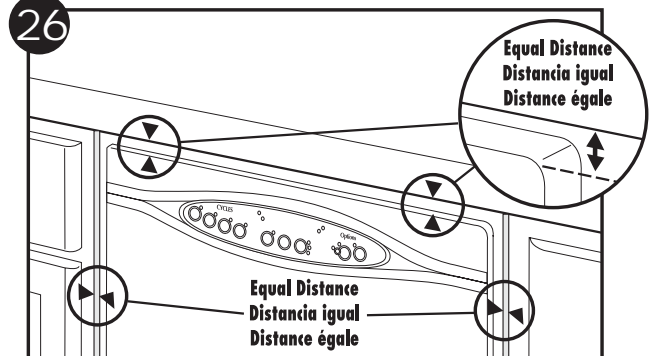
Level left to right and front to back/Nivele de izquierda a derecha y de adelante hacia atrás/Mettre à niveau à droite et à gauche, à l'avant et à l'arrière

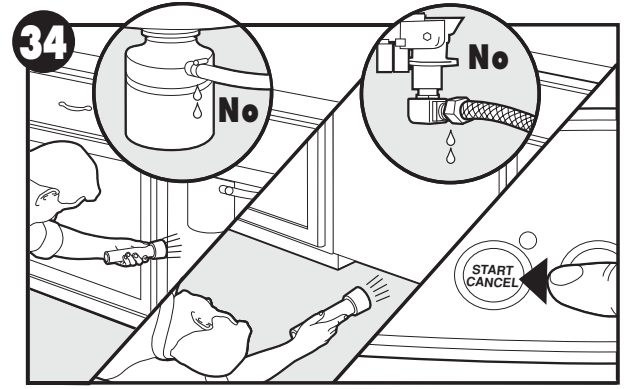
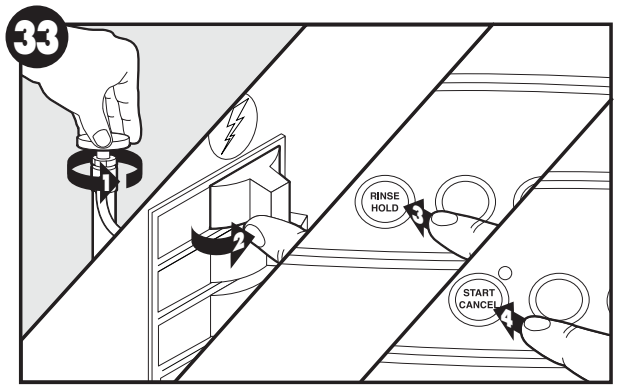
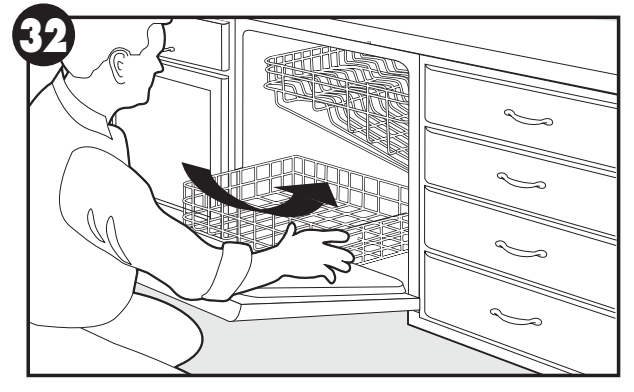
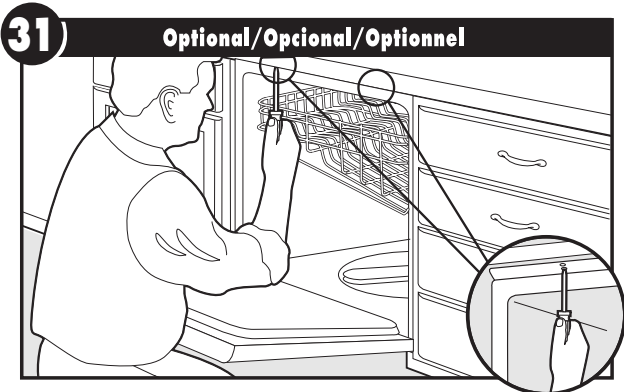
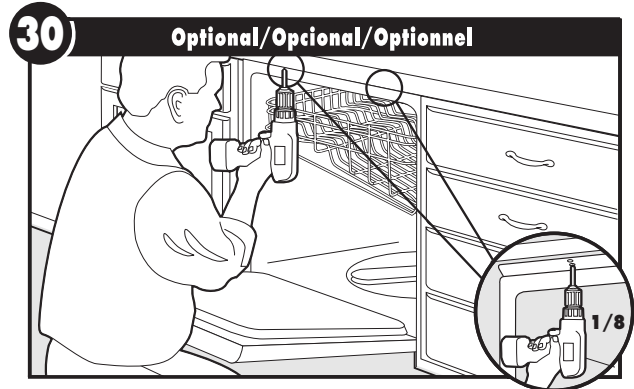
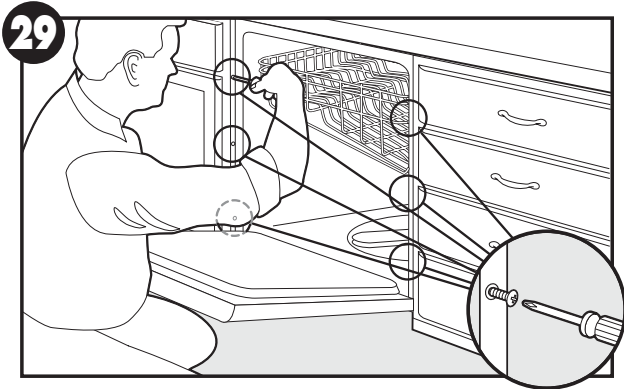
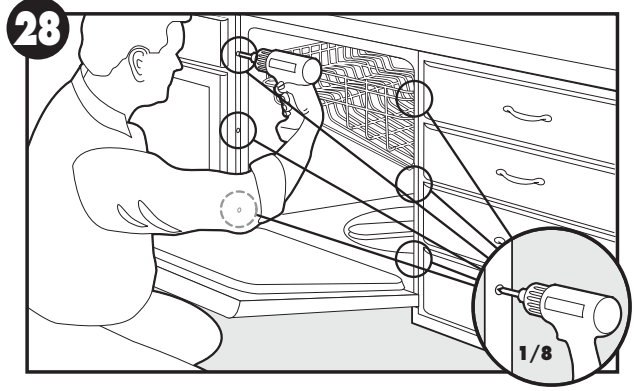
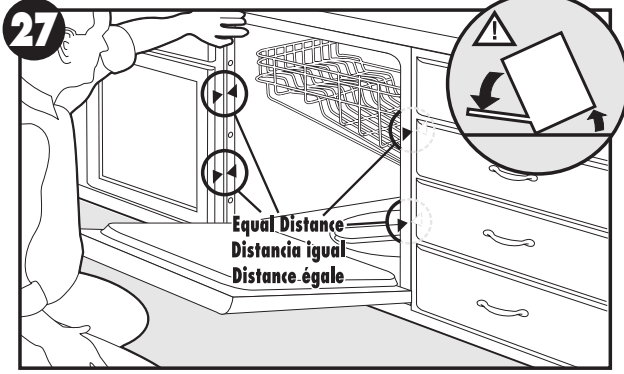
25



If not level repeat 24/Si no está nivelado, repita el paso 24./ En cas de non-nivellement, voir l'étape 24

26



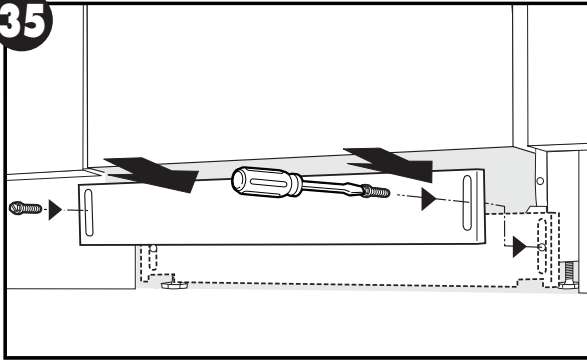


Turn on water, power and machine / Abra la llave de agua, conecte la corriente y encienda el aparato / Ouvrir le robinet d'eau, l'alimentation et mettre en marche

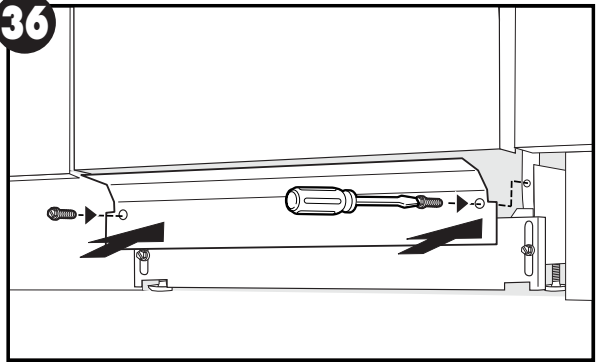
Check for leaks, turn off machine/Verifique si hay fugas, apague el aparato/Vérifier l'absence de fuites, mettre à l'arrêt



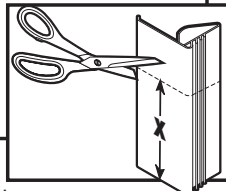
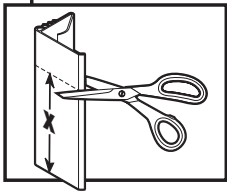
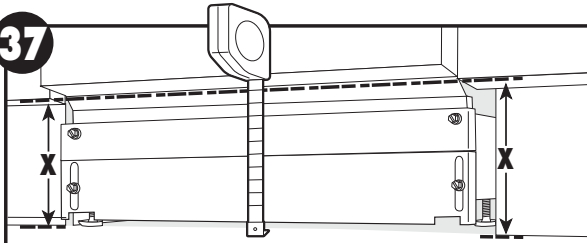
35



36

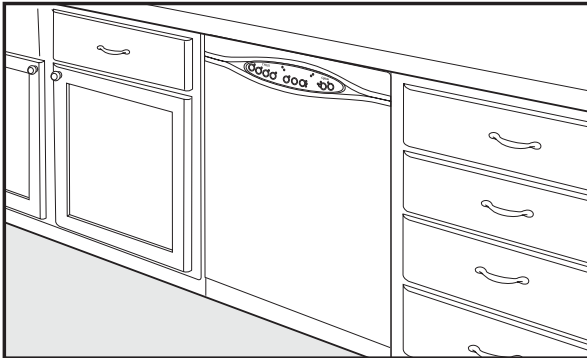
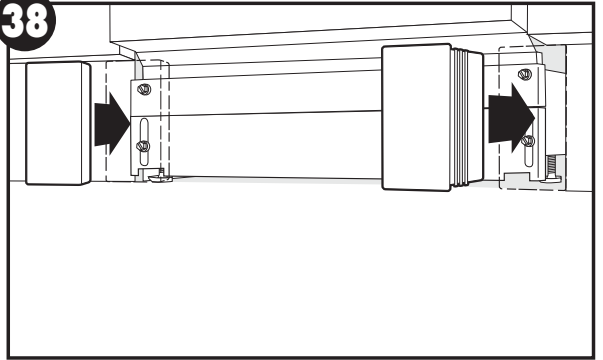


37



On some models /
En algunos modelos /
S'applique à certains modèles

38



Appendix B

JENN-AIR DISHWASHER

JDB-2



USER

G U I D E

TABLE OF CONTENTS

Safety Instructions	1
Loading the Dishwasher	2-4
Dishwashing Essentials.....	5
Controls at a Glance.....	6-7
Operating Tips	7
Special Care Items	8
Care & Cleaning.....	8
Before You Call for Service	9-10
Warranty	11
Guide de L'utilisateur.....	12
Guía del Usuario.....	26



6 917456 B

MCS 99002564
©2002 Maytag Appliances Sales Co.

Installer: Please leave this manual with this appliance.

Consumer: Please read and keep this manual for future reference. Keep sales receipt and/or cancelled check as proof of purchase.

Model Number

Serial Number

Date of Purchase

If you have questions, call:
1-800-688-1100 (USA and CANADA)
1-800-688-2080 (U.S.TTY for hearing or speech impaired)
(Mon.-Fri., 8 am-8 pm Eastern Time)
Internet: <http://www.jennair.com>

In our continuing effort to improve the quality and performance of our appliances, it may be necessary to make changes to the appliance without revising this guide.

For service information, see page 11.

IMPORTANT SAFETY INSTRUCTIONS

RECOGNIZE SAFETY SYMBOLS, WORDS, LABELS

WHAT YOU NEED TO KNOW ABOUT SAFETY INSTRUCTIONS

Warning and Important Safety Instructions appearing in this manual are not meant to cover all possible conditions and situations that may occur. Common sense, caution, and care must be exercised when installing, maintaining, or operating the dishwasher.

Always contact your dealer, distributor, service agent, or manufacturer about problems or conditions you do not understand.

WARNING:


WARNING - Hazards or unsafe practices which **COULD** result in severe personal injury or death.

CAUTION:

CAUTION - Hazards or unsafe practices which **COULD** result in minor personal injury.

WARNING:

Check with the installer to make sure the appliance has been properly grounded to avoid possible electrical shock. Be sure you read the Important Personal Safety Instructions before you use this dishwasher.

Products with a  label have been listed with Underwriter's Laboratories, Inc. – those with a CSA tag have been listed with Canadian Standards Association. Nevertheless, as with any other equipment using electricity and moving parts, there is a potential hazard.

WARNING:

When using your dishwasher, follow basic precautions, including the following:

1. Read all instructions before using the dishwasher.
2. Use the dishwasher only for its intended function.
3. Disconnect electrical power to dishwasher before attempting to service.
4. To avoid electrical shock hazard, the sides and back must be enclosed and the front panels must be attached before electrical power is applied to the dishwasher. Refer to the installation instructions for proper grounding procedures.
5. Connect to a properly rated, protected and sized power supply circuit to avoid electrical overload.
6. Children should never be permitted to operate, or play in, with, or around this dishwasher.
7. To reduce the risk of injury when loading items to be washed, sharp or pointed items should be located with the handles up. Also, load sharp items so they are not likely to damage the door seal.
8. Do not touch the heating element on the bottom of the tub during or at the completion of a cycle. It will be hot.
9. Use only detergents and rinse additives designed for an automatic dishwasher. Never use soap, laundry detergent, or hand washing detergent in your dishwasher. Keep these products out of reach of children.
10. Do not sit, stand on or abuse the door or dish racks of the dishwasher.
11. Under certain conditions, hydrogen gas may be produced in a hot water system that has not been used for two weeks or more. **Hydrogen gas is explosive.** If the hot water system has not been used for such a period, turn on all hot water faucets and let the water flow from each for several minutes. This will release any accumulated hydrogen gas. As the gas is flammable, do not smoke or use an open flame during this process.
12. Do not wash plastic items unless marked "dishwasher safe" or the equivalent. For plastic items not so marked, check the manufacturer's recommendations.
13. Do not tamper with controls.
14. To prevent accidental child entrapment and suffocation risks, always remove the door to the washing compartment when removing an old dishwasher from service or discarding it.
15. Use caution when unloading the dishwasher. Dishes will be hot if unloaded shortly after a cycle has completed.
16. Certified residential dishwashers are not intended for licensed food establishments.

SAVE THESE INSTRUCTIONS FOR FUTURE REFERENCE

I

LOADING

BEFORE YOU START

- **Don't prerinse. Simply scrape off any bones or large food particles.**
- If connected to a food waste disposer, **make certain the disposer is empty before starting the dishwasher.**
- **Scrape off tomato-based food soils** (see page 8).
- **Remove certain foods** (such as mustard, mayonnaise, lemon juice, vinegar, salt or dressings) **from stainless steel flatware as soon as possible.** These foods

may cause rusting and pitting if allowed to remain in contact with the surface for an extended period of time.

GENERAL RECOMMENDATIONS

- Items can be centered behind a single tine or loaded at an angle to maximize space.
- Avoid blocking or preventing the spray arms from spinning freely. Do not allow items to extend beyond the racks.

RECOMMENDED LOADING

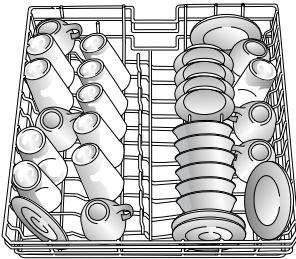
(Rack features vary by model)

For best dishwashing results follow these guidelines to determine the best arrangement for your items.

Note:

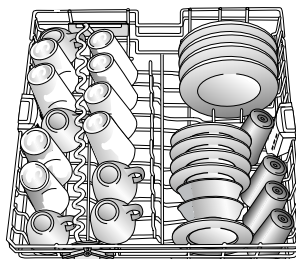
- Face soiled surfaces towards the center of the dishwasher.

UPPER RACK

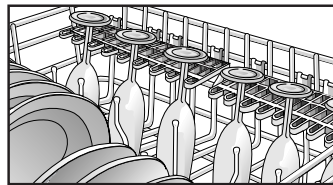
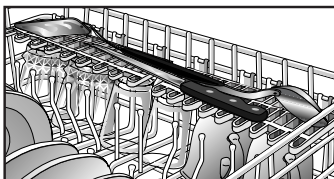


10 Place Settings

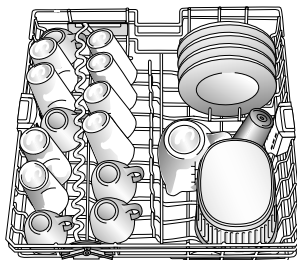
Glasses, cups, stemware, light-weight plastics, plates, bowls, pans, long-handled utensils etc. can be loaded in this rack. **Do not load glasses over the tines.**



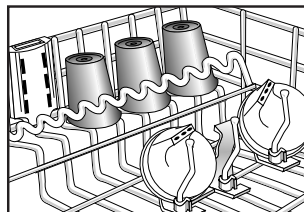
The **Stack-Rack** (select models) on the right side of the upper rack folds up or down for loading flexibility. Fold it down to hold long-handled knives, spatulas and spoons or short items like cups or juice glasses. Fold it up for taller items like glasses, bowls, plates, etc.



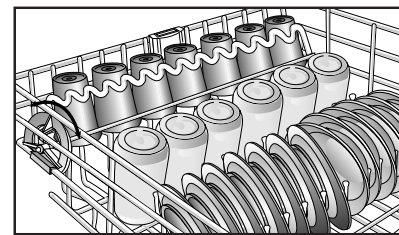
The **Stack-Rack** is designed to hold stemware in place. Taller stemware will fit better on the right side as the upper rack is deeper on this side.



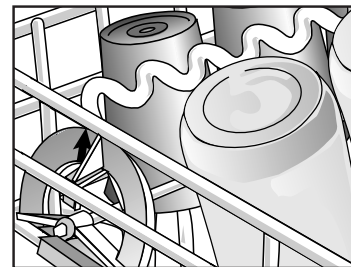
The folding tines (select models) located in the front right corner provide convenient loading space for large, bulky items like pots and pans or mixing bowls



The cup clips (select models) located in the center of the upper rack can be used to hold light weight plastic items, cooking utensils, knives, etc. in place. Clip the item between the tine and the clip.



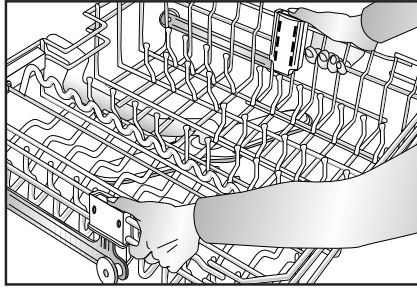
The **Vari-Lock™ Snigger** (select models) on the left secures lightweight items in place. It can be adjusted by grasping the wavy wire and rotating it left to snug items against the outer rack or to the right to rest on top of light items. **Do not load items on top of the wire.**



For best results with tall glasses, align the **Vari-Lock™ Snigger** (select models) wavy wire with the arrow on the rack clip. Rest the bottom of the glass against the wavy wire.

LOADING CONT.

ADJUSTABLE UPPER RACK (Select models)



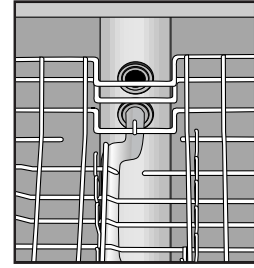
The **Adjustable Upper Rack** (select models) can be raised or lowered to accommodate taller plates, platters, pans, etc. in the upper or lower racks. Full size plates can be loaded in the upper rack when the upper rack is in the lower position.

TO LOWER THE RACK:

- Pull the rack fully out.
- Place hands on each adjuster.
- Press down on the top blue button and push down (the button will slide towards the center of the rack).
- The rack will come to a stop when it is in position.

TO RAISE THE RACK:

- Pull the rack fully out.
- Place hands on each adjuster.
- Lift up both sides until rack comes to a stop.



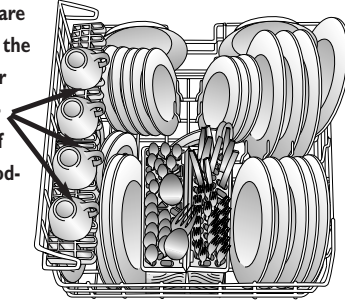
Note:

- The dishwasher will not operate correctly if the upper rack wash arm connection is not aligned with one of the water inlet holes on back wall.
- The left and right side adjusters must both be in the upward or downward position for proper connection.

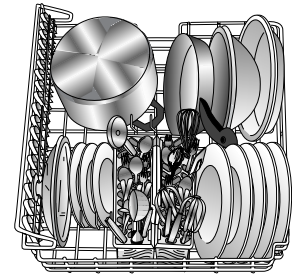
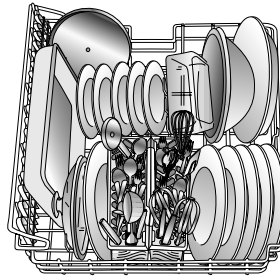
LOWER RACK

A variety of large items such as dinner plates, mixing bowls, pots and pans and baking dishes can be loaded in this rack.

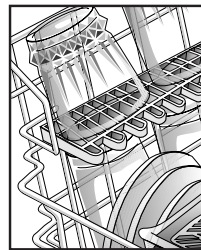
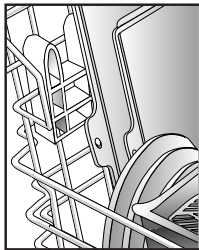
3 saucers are loaded on the rack under the Stack-Rack Shelf (select models)



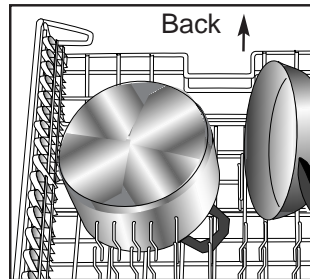
10 Place Settings



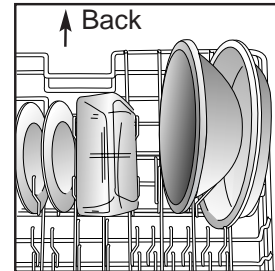
Tall items such as bakeware and large platters can be placed on the left side.



With the **Stack-Rack** (select models) shelf raised, thin items like cookie sheets or pizza pans may be placed along the left side. With the shelf down, two levels of glasses and cups can be loaded.



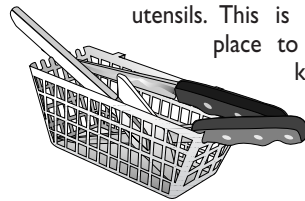
Positioning the **Fold-Away™ Tines** (select models) flat in the back, left corner provides convenient loading space for large, bulky items like pots and pans or mixing bowls.



Convertible Tines (select models) in the back, right corner can be adjusted to provide narrow spacing for loading plates or wide spacing for loading deep bowls, pots or pans. Flip tines up for narrow spacing or down for wider spacing.

REMOVABLE UTENSIL BASKET
(Design varies by model)

For best cleaning results, prevent items from nesting together by placing some items in the basket with handles up and some with handles down. Load knives, handles up and spoons and forks handles down, through the slots in the hinged covered section(s) (when closed).



utensils. This is also a safe place to load sharp knives and pointed items.

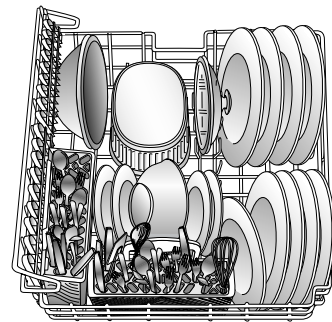
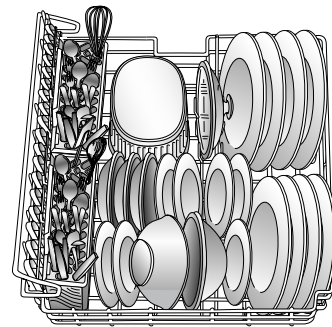
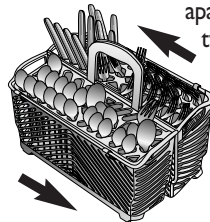
Be sure that thin, finely pointed items do not extend through the basket. This could block the lower wash arm.



Small, lightweight items like baby spoons and plastic measuring spoons should be placed in the section(s) with the hinged cover(s).

SPLIT & FIT UTENSIL BASKET
(Select models)

The split silverware basket can be separated and placed in several locations in the bottom rack. Hold the basket firmly along the sides. Follow the unlock direction arrows imprinted on the basket and slide the basket apart until it splits into two. Load flatware and utensils into both sections or just one, depending upon your load.



ODDS & ENDS BASKET
(Select models)

Use this supplemental basket in the upper rack for loading miscellaneous items and

REMOVING THE UPPER RACK

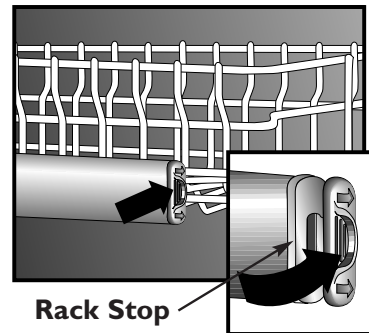
The upper rack can be removed when tall or oversized items need to be loaded into the lower rack. Unload rack prior to removing.

TO REMOVE:

- Roll the upper rack 1/3 to 1/2 of the way out.
- Remove the plastic rack stop from the end of each track. To remove each plastic

rack stop, push inward (towards the rack) on the ridged area of the rack stop. The rack stop will snap open and can be easily removed by pulling straight out. Take care to support the track while removing rack stops.

- Roll the rack all the way out of the track and remove from the dishwasher.
- Reverse the above procedure to replace the upper rack into the dishwasher.



Rack Stop

DISHWASHING ESSENTIALS

HOT WATER

For optimal cleaning and drying results, hot water is necessary. The incoming water temperature should be 120–140° F (49–60° C) to properly activate the detergent and melt greasy food soils.

To check the incoming water temperature, turn on the hot water faucet nearest the dishwasher and let it run into a glass in the sink. Place a candy thermometer in the glass and check the temperature once it has stopped rising. If the temperature is below 120° F (49° C), have a qualified person raise the water heater thermostat setting.

Before starting the dishwasher, turn on the hot water faucet and let it run until the water is hot. This assures that the initial fill of water is hot.

DETERGENT

Use a detergent designed specifically for use in an automatic dishwasher. Be sure it is fresh and stored in a cool, dry place (not under the sink).

RECOMMENDED AMOUNT

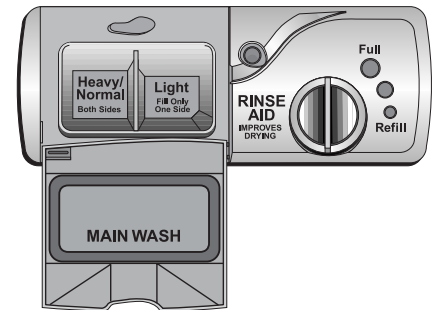
Too little detergent results in poor cleaning, hard water filming/spotting and poor drying. Too much detergent can cause permanent etching/cloudiness.

The amount of detergent to use is determined by the hardness of the water and

soil level of the load. Refer to the following chart for detergent usage recommendations.

Do not use detergent with **Rinse Only**. Leave the detergent lid open when running **Rinse Only**.

In extremely hard water conditions (13 grains per gallon or more*), it is difficult to achieve good results with any dishwasher. A mechanical water softener may be necessary to improve water quality, detergent effectiveness, and protect the dishwasher parts from the damage that hard water can cause.



Water Hardness*	Soil Level	Detergent Amount**
Soft (0-4 gpg)	Light Soil	5 teaspoons
	Normal Soil	6 teaspoons
	Heavy Soil	8 teaspoons
Medium (5-9 gpg)	Light Soil	7 teaspoons
	Normal Soil	8 teaspoons
	Heavy Soil	10 teaspoons
Hard (10-12 gpg)	Light Soil	9 teaspoons
	Normal Soil	10 teaspoons
	Heavy Soil	12 teaspoons

*Your local water utility or state university extension service can tell you the degree of water hardness in your area.

** Add recommended amount of detergent to either side of the Main Wash compartment.

RINSE AID

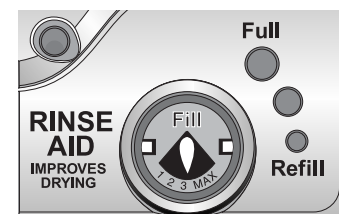
Regular use of a rinse aid improves drying, reduces spotting and filming, and reduces moisture left on the dishwasher interior.

An automatic rinse aid dispenser is located next to the detergent cups. The window next to the dispenser cap indicates when the rinse aid reservoir needs to be refilled. When the level of rinse aid is below the

indicator marks and the window is nearly clear, it is time to refill the dispenser. **Check the dispenser monthly.**

To add rinse aid to the dispenser, turn the cap counterclockwise to open. Remove the cap and pour liquid rinse aid into the opening. The amount of rinse aid dispensed during the cycle is adjustable by moving the lever inside the reservoir area. For most water conditions use manufacturers recommended setting of "3". Adjust it up to

the "MAX" setting for hard water. Set the lever anywhere between these amounts as needed to get the best results. Replace the cap and turn it clockwise to close.



CONTROLS AT A GLANCE

CYCLES AND WATER USAGE

NORMAL WASH

Medium cycle for average food soils. The soil sensor is active with this cycle. Depending on the number of fills, water usage ranges from 3 to 6 gallons.

HEAVY WASH

Long cycle for heavy food soils. 8 gallons.

LIGHT WASH

Short cycle for light food soils. Water usage is 5 gallons.

AUTO CLEAN (select models)

Normal dishloads vary from day to day. **Auto Clean** is designed to select the number of water fills best suited for the soil level of each load. Depending on the number of fills required, water usage ranges from 3 to 8 gallons.

RINSE ONLY

Rinses dishes being held until there is a full load. Controls odors. 2 gallons.

Note:

- Cycle times shown in the numerical display (select models) increase or decrease, based on each load's soil level, water temperature and selected options.
- Using the Extra Rinse option will increase water consumption by 1½ gallons.

OPTIONS

TOUGH SCRUB™ OR TOUGH SCRUB™ PLUS (select models)

Select this option (select models) when washing loads with hard-to-remove food soils. **Tough Scrub™** or **Tough Scrub Plus™** can be selected with any cycle (except **Rinse Only**). Depending which cycle is being used, this option adds fills, heat and/or wash time to the wash cycle.

For baked-on, dried-on soils, select **Heavy Wash** along with **Tough Scrub™** or **Tough Scrub Plus™** option.

SANITIZE

Select **Sanitize** with **Auto Clean (select models)**, **Heavy**, **Normal**, or **Light Wash** to sanitize dishware. At the end of

the cycle, when the cycle monitor recognizes that the proper conditions have been met, the **SANITIZED** light illuminates.

Sanitization may not be achieved if there is an interruption of the cycle, power failure or if the incoming water temperature is below 120° F (49° C).

EXTRA RINSE (select models)

Select **Extra Rinse** to add an additional rinse to the cycle. An extra rinse helps to improve results in hard water situations.

HEATED DRY

Select **Heated Dry** to turn on the heating element during dry for enhanced drying results. When **Heated Dry** is not selected, towel drying of some items such as plastic and teflon may be necessary and

more moisture may be noticed adhering to the dishwasher interior. With either dry option, it is normal to notice vapor escaping from the door vent.

START/CANCEL

To start a cycle, close the door and press the **START/Cancel** pad once. To cancel when a cycle is running, press the **START/Cancel** pad once. The dishwasher will drain, then shut off. To turn the dishwasher off without draining, press the **START/Cancel** pad twice.

The dishwasher remembers your last cycle so you do not have to reset the cycle each time. To start the dishwasher using the same cycle and options selected on the previous wash, just press the **START/Cancel** pad.

INDICATOR LIGHTS

The **CLEAN** light illuminates at the end of the cycle and remains lit until the door has been open for 30 seconds continuously.

The **DRYING** (select models) light illuminates during the entire dry period and goes out when the cycle is completed.

The **WASHING** (select models) light illuminates during all rinse and wash portions of the cycle.

The **HEATING DELAY** (select models) light illuminates when the cycle is being extended to heat the water.

The **CLEAN** and **SANITIZED** (select models) indicator lights will not reilluminate after a power failure until after the next cycle is run.

The **SANITIZED** (select models) light illuminates at the end of the cycle when conditions have been met to achieve sanitization. The light will remain lit until the door has been open for 30 seconds continuously.

Note:

- When **Sanitize** is selected, cycles are monitored to assure sanitization. Unusually low water temperature will prevent sanitization from being satisfied and the **SANITIZED** light will not illuminate at the end of the cycle.
- Only these certified cycles have been designed to meet NSF requirements: Auto Clean Cycle, Heavy Cycle, Normal Cycle and Light Cycle.

CONTROLS AT A GLANCE CONT.

DELAY

The **Delay** option can be used to automatically start the cycle at a later time to reduce daytime heat buildup in the home or to take advantage of reduced energy costs if available in your area.

TO SET UP A DELAY:

1. Close the door. Select the appropriate cycle and options for the load.
2. Press the **Delay** pad until the desired amount of delay time is selected.
3. The **Delay** indicator will flash until the **START/Cancel** pad is pressed.

4. As soon as the **START/Cancel** pad is pressed, the flashing will stop and the delay time will begin counting down. The **Delay** indicator will remain lit until the delay time has counted down.
5. The cycle will automatically start as soon as the delay time expires.

Note:

- If 30 seconds elapse between setting the cycle and options and pressing the **START/Cancel** pad, the dishwasher will turn off.

TO CANCEL A DELAY:

When the delay is counting down, press the **Delay** pad again. The indicator light will go out and the cycle will start or resume immediately.

TO CANCEL A DELAY AND CYCLE:

- Press **START/Cancel** once to drain and turn off the dishwasher.
- Or
- Press **START/Cancel** twice to turn dishwasher off without draining.

CONTROL LOCK OPTION (select models)

The control touchpads can be locked to prevent unwanted use. If this feature is activated between cycles, the dishwasher cannot be operated until the controls are unlocked. If desired, the controls can be locked after a cycle or delay has started.

SETTING THE CONTROL LOCK:

1. Press the **Heated Dry** pad for three seconds.
2. An indicator light next to the lock graphic will illuminate when the controls are locked.

TO CANCEL:

1. Press the **Heated Dry** pad for three seconds.
2. The indicator light will go off.

Note:

- If a cycle or option pad is pressed after the controls have been locked, the indicator light next to the lock graphic will flash five times. On selected models with a countdown display, the display will flash an "L" simultaneously with the lock indicator.
- This option does not lock the door, only the dishwasher controls.

OPERATING TIPS

STARTING THE DISHWASHER

1. After loading the dishwasher and adding detergent, close the dishwasher by pressing the door until the latch clicks.
2. To start the dishwasher, select the desired cycle and options. The indicator lights for the selected cycle and options will illuminate.
3. Press the **START/Cancel** pad. After a pause, the fill will begin. The display countdown will flash until **START/Cancel** is pressed.
4. To cancel an option, press the pad again. To cancel a running cycle, press the **START/Cancel** pad.
5. To prevent unplanned cycle or option

changes, these selections are "locked in" after 1 minute.

Note:

- If a cycle pad is pressed after the controls have been "locked in", the light above the current cycle will flash three times.
- If **START/Cancel** is not pressed within 30 seconds, the dishwasher will turn off.

ADDING A FORGOTTEN ITEM

For best cleaning, the forgotten item should be added early in the cycle.

1. Grasp door handle and unlatch door without opening completely. All lights

will flash to indicate that the cycle is suspended.

2. Wait for the water circulation to stop.
3. Open the door and add the item.
4. Close and latch the door. Lights will stop flashing when the door is properly shut.
5. After a slight delay, the cycle resumes automatically at the point of interruption.

Note:

- If the door is opened during a running cycle, there may be up to a 30 second delay before the unit restarts after closing the door.
- Extended interruption of the wash cycle is not recommended.

SPECIAL CARE ITEMS

Most tableware, cookware and flatware can safely be washed in your dishwasher. Check with the manufacturer.

Material	Dishwasher Safe?	Special Information
Aluminum	Yes, except anodized.	High water temperature and detergents may affect finish.
Cast Iron	No	Seasoning will be removed, and iron will rust.
China/ Stoneware	No, if antique or hand-painted.	Always check manufacturer's recommendation before washing. Antique, hand-painted or over-the-glaze patterns may fade. Gold leaf may discolor.
Crystal	No, if antique or delicate crystal.	Always check manufacturer's recommendation before washing. Some types of leaded crystal may etch with repeated washings.
Filters	Not recommended.	May leave a dingy deposit or stain on dishwasher interior.
Glass	Yes	Milkglass can yellow with repeated dishwasher washing.
Gold-Plated Flatware	No	Will discolor.
Pewter, Tin	No	
Plastics	Yes, top rack.	Always check manufacturer's recommendation before washing. Plastics vary in their capacity to withstand high water temperatures and detergents. Disposable plastic items are not dishwasher safe for this reason.
Stainless Steel	Yes	Run a Rinse Only cycle if not washing immediately. Prolonged contact with foods containing salt, vinegar, milk products or juice could damage finish.
Sterling Silver or Silverplate	No, if has commercial "darkening".	Always check manufacturer's recommendation before washing. Run a Rinse Only cycle if not washing immediately. Prolonged contact with food containing salt, acid or sulfide (eggs, mayonnaise and seafood) could damage finish. Commercial "darkening" may be removed by detergent.
Wooden Items	No	Wood may warp, crack or discolor.

CARE AND CLEANING

INTERIOR

The dishwasher interior is normally self-cleaning. Periodically check the bottom of the dishwasher tub to see if any large particles have not gone through the strainer portion of the module.

Wipe the edge of the inner door liner to remove any food soil splashes which occurred during loading.

The color from some tomato-based food soils may occasionally adhere to various components of the dishwasher interior, causing temporary discoloration. To minimize this:

- Remove excess tomato-based food soils off of dishes, prior to loading.
- Run the **Heavy Wash** cycle when washing loads containing tomato-based food soils.
- Change dishwasher detergent and be sure to use a dishwasher detergent that contains chlorine to better fight staining.

EXTERIOR

The front of the dishwasher can be cleaned with a soft damp cloth and liquid spray cleaner. Do not use abrasive powders or cleaning pads.

Stainless Steel Care and Cleaning (select models)

Do not use a cleaning product containing chlorine bleach. **Always** wipe **with** the grain of the stainless steel. **For daily cleaning and light soil**, use a soft cloth or sponge and one of the following: mild detergent and water, a solution of white vinegar and water, Formula 409 Glass and Surface Cleaner* or a similar multi-surface cleaner. Rinse and dry. To polish and to help prevent fingerprints, follow with Stainless Steel Magic Spray* (part No. 20000008)**.

For moderate to heavy soil, clean with Bon Ami*, using a soft cloth or damp sponge. Rinse and dry. To restore luster and to remove streaks, follow with Stainless Steel Magic Spray*.

For discoloration, wipe with Cameo Stainless Steel Cleaner*, using a damp sponge or soft cloth. Rinse immediately and dry. To restore luster and to remove streaks, follow with Stainless Steel Magic Spray*.

*Brand names are the trademarks of the respective manufacturer.

** Call 1-800-688-8408 to order

STORAGE/MOVING

Fill both detergent cups with a fresh-scented dishwasher detergent or baking soda and select the **Normal Wash** cycle. Allow the dishwasher to complete the cycle. Then turn the water supply off and drain the dishwasher. To drain, press the **START/Cancel** pad once. Operate the drain twice to ensure most of the water is removed. Last, disconnect the electrical supply and prop open the door.

When turning the water supply to the home off, the water shut off at the dishwasher must be turned off also.

BEFORE YOU CALL FOR SERVICE

CHECK THESE POINTS TO HELP SAVE YOU TIME AND MONEY.

Dishwasher Will Not Fill:

- Press the START/Cancel pad to start the dishwasher.
- Be sure door is latched securely.
- Be sure the water is turned on.
- Check that the pad is properly selected for a cycle.
- Allow time to pause before filling.
- Check your home's circuit breaker or fuse box.
- Check inlet hose for a kink.
- Check water valve inlet for sediment and clean if necessary.

Dishwasher Will Not Drain/Water In Tub Bottom:

- If hooked up to a food waste disposer, be sure the knock-out is removed from the disposer inlet.
- Check for food obstruction in the drain or disposer.
- Check drain hose for a kink.
- Check your home's circuit breaker or fuse box.
- Check that the cycle is completed.

Dishwasher Adds Water at END of Cycle:

- This is normal. The sensor (select models) in the pump must stay submerged so a short fill of water is added after the cycle's last drain.

Detergent Cup Is Not Empty:

- Check that the cycle is completed.
- Be sure dispenser is not blocked.
- Use fresh detergent stored in a cool, dry place.

Dishwasher Seems Noisy:

- A water valve hiss during fill is normal.
- Water circulation sounds are normal.
- A thumping sound may be a wash arm bumping an item that is extending beyond the racks.
- Chopping or grinding sounds may be heard during drain as the internal food disposer chops hard items like fruit seeds, nuts, etc.
- Humming during the drain is normal.
- A snap noise is the detergent cup lid hitting the door liner when the dishwasher door is opened at the end of the cycle. This is normal.
- Proper installation affects the noise level.

Cycle Takes Too Long (Heating Delay Light Stays On):

- Tough Scrub™ or Tough Scrub Plus™ (select models) or Sanitize has been selected and the cycle is extended to heat water.
- Check to see that the incoming water temperature is 120-140° F (49-60° C).

Dishwasher has an Odor:

- Run dishes being held in the dishwasher through a Rinse Only cycle.
- Many dishwashers have a "new" smell when first installed. This will dissipate with use.
- Dishwasher may not be draining properly. (See "Dishwasher Will Not Drain" section.)
- For a strong odor, place baking soda in both sides of the detergent cup. Select Light Wash and allow the water to circulate for about 10 minutes. Interrupt the cycle by unlatching the door and let it stand overnight. Restart the dishwasher by latching the door and allow it to complete the cycle. Another alternative is to use dishwasher cleaning product such as Jet-Dry Dishwasher Cleaner*.

Dishwasher Leaks:

- Check that the dishwasher is level. (Refer to the Installation Instructions.)
- Suds can cause the dishwasher to overflow. Measure the detergent carefully and use only detergents designed for use in a dishwasher. Less detergent is needed in soft water. Try another brand if sudsing continues.
- Follow directions closely on how to add a forgotten item (pg. 7).
- To avoid rinse aid lid leaking from the dispenser, be sure the lid is securely attached.

Display Time Suddenly Drops or Increases by Several Minutes (select models):

- This is normal when the Auto Clean or Normal cycle (select models) is selected and the dishwasher decides to skip or add a drain and refill.

Dishwasher Door Will Not Close:

- Be sure upper rack is properly adjusted to upper or lower position (select models) (pg. 3).

*Brand names are the trademarks of the respective manufacturer.

Continued

Indicator Lights Flashing:

- The countdown display (select models) flashes after a cycle is selected until the START/Cancel pad is pressed.
 - The countdown display (select models) and the delay indicator flash after a delay is selected until the START/Cancel pad is pressed.
 - All active display indicators flash if the door is opened during a running cycle or delay.
 - The currently selected cycle flashes if the consumer attempts to change the cycle after cycle "lock-in".
 - The lock indicator flashes and the countdown display (selected models) flashes an "L" if a pad is pressed while the control lock is enabled.
-

Glasses Are Cloudy/Spotted:

- Select Extra Rinse (select models).
 - Check water temperature. Incoming water should be 120°-140° F (49-60° C).
 - Always use a rinse aid.
 - Confirm that the cloudiness is removable by soaking the item in white vinegar for approximately 5 minutes. If removed, the problem is due to hard water. Adjust detergent amount being used to match water hardness (pg. 5). Be sure detergent is fresh, stored properly and is a high quality brand.
 - If cloudiness is not removable, it is **etching**. This is an erosion of the surface of the glassware and can be caused by water that is too hot, from using too much detergent or by prewashing. Detergent needs food soil to act upon. If etching has occurred, the glassware is permanently damaged. To prevent further etching, adjust the detergent amount to match the water hardness, stop prewashing, and be sure incoming water temperature is not greater than 140° F (60° C). Use water heating options only when incoming water temperature is below 120° F (49° C).
-

Food Soil Remains on Dishes:

- Check water temperature (pg 5).
 - Run hot water at the sink before starting the dishwasher.
 - Select Tough Scrub™ or Tough Scrub Plus™ (select models).
 - Check water hardness and adjust detergent amount accordingly (pg. 5).
 - Use fresh detergent stored in a cool dry place.
 - Select proper cycle for the soil level.
 - Make sure the upper rack wash arm connector is correctly aligned in one of the water inlet holes (pg. 3).
 - Load items so they do not block the wash arms (pg. 2-4).
 - Load the utensil basket with knife handles up and spoon and fork handles down through the slots in the covers.
 - Do not place glasses over tines.
 - Prior to loading, scrape off burnt on foods and wipe the starchy film from utensils used with pasta, rice and oatmeal. These soils require more energy than the rest of the load to clean.
-

Items Washed In The Dishwasher Or The Dishwasher Tub Itself Are Stained/Discolored:

- Aluminum utensils or pans can leave marks when they rub against other items. Leave a slight space between items.
 - Iron deposits in the water can leave a yellow, brown or orange film on dishes or the dishwasher tub. A filter may be needed, check with a water treatment company.
 - Separate silver or silver-plated silverware from stainless steel. These metals can be damaged by contact with each other during washing.
 - Color from tomato sauces may adhere to the tub (pg. 8). If light staining has occurred, leave the door open to oxidize the stain away. For removal of heavier stains, try Cascade Plastic Booster Plastic Cleaning Additive*. Change dishwasher detergent and be sure to use a dishwasher detergent that contains chlorine to better fight staining.
-

Items Not Properly Dried/Moisture Is Present On The Dishwasher Interior After The Dry Cycle:

- Be sure Heated Dry is selected.
 - Water droplets may form on the inner door as part of the drying process.
 - Use a rinse aid like Jet Dry* or Cascade Rinse Aid*. Turn adjustable rinse aid cap to the MAX setting.
 - Check water temperature (pg. 5).
 - Select Sanitize.
 - Increase detergent amount to match water hardness (pg. 5).
 - Load properly (pg. 2-4)
 - Plastic and teflon items are difficult to dry because they have a porous surface which tends to collect water droplets. Towel drying may be necessary.
 - Glasses and cups with concave bottoms hold water and require towel drying. Locate these items on the more slanted side of the rack for improved results.
-

Dishware is Chipped:

- Load dishes according to instructions so they do not strike each other (pg. 2-4).
 - Washing fine, antique china or crystal in the dishwasher is not recommended.
 - Do not load glasses over the tines.
 - Do not overload.
-

Sanitized Indicator Does Not Illuminate at the End of the Cycle (select models):

- Sanitize was not selected.
- Sanitization can only be achieved with the Auto Clean (select models), Heavy, Normal or Light wash cycles.
- Sanitization may not be achieved if there is an interruption of the cycle, power failure or if incoming water temperature is below 120° F (49° C).

DISHWASHER WARRANTY

Full One Year Warranty

For one (1) year from the date of original retail purchase, any part which fails in normal home use will be repaired or replaced free of charge.

Limited Second Year Warranty

After the first year from the date of original retail purchase, through the second year, parts which fail in normal home use will be repaired or replaced free of charge for the part itself, with the owner paying all other costs, including labor, mileage and transportation.

Limited Third Through Fifth Year Warranty

After the second year from the date of original retail purchase, through the fifth year, all of the following components which fail in normal home use will be repaired or replaced free of charge for the part itself, with the owner paying all other costs, including labor, mileage and transportation. These components include:

Any parts of the wash system for all models, including the complete power module assembly, soil sensor, spray arms, wash manifold and motor.

Computer Touch Control models only - any micro-processor and touch pad assemblies.

All models against rust, including exterior cabinet and front panels of convertible models, the exterior front panels and accessory side panels of built-in models, and premium DuraGuard™ coated racks (available on select models).

Full Twenty-Year Warranty

First through the twentieth year: From the date of the original retail purchase through the twentieth year, should the tub develop a water leak in normal home use, the dishwasher itself will be replaced **FREE OF CHARGE**.

First through the twentieth year: From the date of the original retail purchase through the twentieth year, should the door liner develop a water leak in normal home use, repair or replacement of the door liner will be made **FREE OF CHARGE**.

PLEASE NOTE: These full warranties apply only when the dishwasher is located in the United States or Canada. Dishwashers located elsewhere are covered by the limited warranties only, including a limited warranty for parts which fail during the first year.

Canadian Residents

These warranties cover only those dishwashers installed in Canada that have been listed with Canadian Standards Association unless the dishwashers are brought into Canada due to transfer of residence from the United States to Canada.

The specific warranties expressed above are the **ONLY** warranties provided by the manufacturer. These warranties give you specific legal rights, and you may also have other rights that vary from state to state.

WHAT IS NOT COVERED BY THESE WARRANTIES:

1. Conditions and damages resulting from any of the following:
 - a. Improper installation, delivery, or maintenance.
 - b. Any repair, modification, alteration, or adjustment not authorized by the manufacturer or an authorized servicer.
 - c. Misuse, abuse, accidents, or unreasonable use.
 - d. Incorrect electric current, voltage, or supply.
 - e. Improper setting of any control.
2. Warranties are void if the original serial numbers have been removed, altered, or cannot be readily determined.
3. Products purchased for commercial or industrial use.
4. The cost of service or service call to:
 - a. Correct installation errors.
 - b. Instruct the user on the proper use of the product.
 - c. Transport the appliance to the servicer.
5. Consequential or incidental damages sustained by any person as a result of any breach of these warranties. Some states do not allow the exclusion or limitation of consequential or incidental damages, so the above exclusion may not apply.

TO RECEIVE WARRANTY SERVICE

To locate an authorized service company in your area contact the Jenn-Air dealer from whom your appliance was purchased or call Maytag Appliances Sales Company, Jenn-Air Customer Assistance at the number listed below. Should you not receive satisfactory warranty service, please call or write:

Maytag Appliances Sales Company

Attn: CAIR® Center

P.O. Box 2370

Cleveland, TN 37320-2370

U.S. and CANADA 1-800-688-1100

U.S. customers using TTY for deaf, hearing impaired or speech impaired, call 1-800-688-2080.

NOTE: When writing or calling about a service problem, please include the following information:

- a. Your name, address and telephone number;
- b. Model number and serial number of your appliance ;
- c. Name and address of your dealer or servicer and the date the appliance was purchased;
- d. A clear description of the problem you are having;
- e. Water hardness, detergent brand and amount, water temperature and cycle used;
- f. Proof of purchase (sales receipt).

User's guides, service manuals and parts information are available from Maytag Appliances Sales Company, Jenn-Air Customer Assistance.

Jenn-Air • 403 West Fourth Street North • P.O. Box 39 • Newton, Iowa 50208

Appendix C

USER'S GUIDE



Installer: Please leave this manual with this appliance.

Consumer: Please read and keep this manual for future reference. Keep sales receipt and/or cancelled check as proof of purchase.

Model Number

Serial Number

Date of Purchase

In our continuing effort to improve the quality and performance of our appliances, it may be necessary to make changes to the appliance without revising this guide.

If you have questions, call:

- 1-800-688-9900 (USA)
- 1-800-688-2002 (CANADA)
- 1-800-688-2080 (U.S. TTY for hearing or speech impaired)
- (Mon.-Fri., 8 am-8 pm Eastern Time)
- Internet: <http://www.maytag.com>

For service information, see page 11.

- SAFETY INSTRUCTIONSPage 1
- LOADINGPages 2-4
- DISHWASHING ESSENTIALSPage 5
- CONTROLS AT A GLANCEPage 6-7
- OPERATING TIPSPage 7
- SPECIAL CARE ITEMSPage 8
- CARE AND CLEANINGPage 8
- BEFORE YOU CALLPages 9-10
- WARRANTYPage 11
- GUIDE DE L'UTILISATEURPage 12
- GUÍA DEL USUARIOPage 26

IMPORTANT SAFETY INSTRUCTIONS

RECOGNIZE SAFETY SYMBOLS, WORDS, LABELS

WHAT YOU NEED TO KNOW ABOUT SAFETY INSTRUCTIONS

Warning and Important Safety Instructions appearing in this manual are not meant to cover all possible conditions and situations that may occur. Common sense, caution, and care must be exercised when installing, maintaining, or operating the dishwasher.

Always contact your dealer, distributor, service agent, or manufacturer about problems or conditions you do not understand.

WARNING


WARNING - Hazards or unsafe practices which COULD result in severe personal injury or death.

CAUTION

CAUTION - Hazards or unsafe practices which COULD result in minor personal injury.

WARNING

Check with the installer to make sure the appliance has been properly grounded to avoid possible electrical shock. Be sure you read the Important Personal Safety Instructions before you use this dishwasher.

Products with a  label have been listed with Underwriter's Laboratories, Inc. – those with a CSA tag have been listed with Canadian Standards Association. Nevertheless, as with any other equipment using electricity and moving parts, there is a potential hazard.

WARNING

When using your dishwasher, follow basic precautions, including the following:

1. Read all instructions before using the dishwasher.
2. Use the dishwasher only for its intended function.
3. Disconnect electrical power to dishwasher before attempting to service.
4. To avoid electrical shock hazard, the sides and back must be enclosed and the front panels must be attached before electrical power is applied to the dishwasher. Refer to the installation instructions for proper grounding procedures.
5. Connect to a properly rated, protected and sized power supply circuit to avoid electrical overload.
6. Children should never be permitted to operate, or play in, with, or around this dishwasher.
7. To reduce the risk of injury when loading items to be

washed, sharp or pointed items should be located with the handles up. Also, load sharp items so they are not likely to damage the door seal.

8. Do not touch the heating element on the bottom of the tub during or at the completion of a cycle. It will be hot.
9. Use only detergents and rinse additives designed for a residential automatic dishwasher. Never use soap, laundry detergent, or hand washing detergent in your dishwasher. Keep these products out of reach of children.
10. Do not sit, stand on or abuse the door or dish racks of the dishwasher.
11. Under certain conditions, hydrogen gas may be produced in a hot water system that has not been used for two weeks or more. *Hydrogen gas is explosive.* If the hot water system has not been used for such a period, turn on all hot water faucets and let the water flow from each for several minutes. This will release any accumulated hydrogen gas. As the gas is flammable, do not smoke or use an open flame during this process.
12. Do not wash plastic items unless marked "dishwasher safe" or the equivalent. For plastic items not so marked, check the manufacturer's recommendations.
13. Do not tamper with controls.
14. To prevent accidental child entrapment and suffocation risks, always remove the door to the washing compartment when removing an old dishwasher from service or discarding it.
15. Use caution when unloading the dishwasher. Dishes will be hot if unloaded shortly after a cycle has completed.
16. Certified residential dishwashers are not intended for licensed food establishments.

Save These Instructions for Future Reference

LOADING

BEFORE YOU START

- Don't prerinse. Simply scrape off any bones or large food particles.
- If connected to a food waste disposer, make certain the disposer is empty before starting the dishwasher.
- Scrape off tomato-based food soils (see page 8).
- Remove certain foods (such as mustard, mayonnaise, lemon juice, vinegar, salt or dressings) from stainless steel flatware as soon as possible. These foods may cause rusting and pitting if allowed to remain in contact with the surface for an extended period of time.

GENERAL RECOMMENDATIONS

- Items can be centered behind a single tine or loaded at an angle to maximize space.
- Avoid blocking or preventing the spray arms from spinning freely. Do not allow items to extend beyond the racks.

RECOMMENDED LOADING

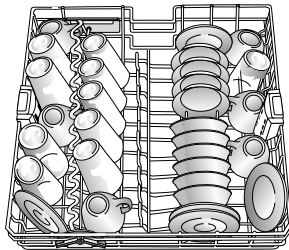
(Rack features vary by model)

For best dishwashing results follow these guidelines to determine the best arrangement for your items.

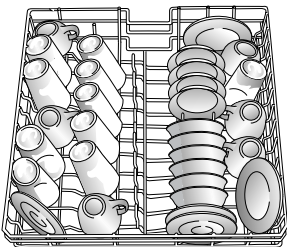
NOTE

- Face soiled surfaces towards the center of the dishwasher.

UPPER RACK

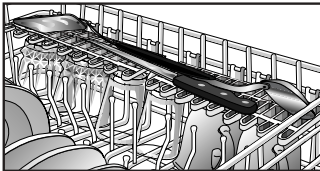


10 Place Settings (Models with folding and bowl tines in the lower rack.)



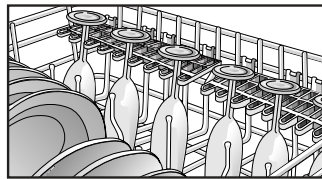
10 Place Settings (Models without folding and bowl tines in the lower rack.)

Glasses, cups, stemware, light-weight plastics, plates, bowls, pans, long-handled utensils etc. can be loaded in this rack. Do not load glasses over the tines.

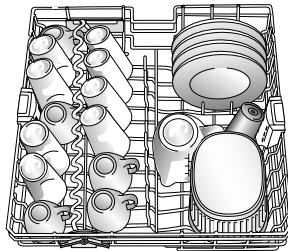


The Stack-Rack (select models) on the right side of the upper rack folds up or down for loading flexibility. Fold it down to hold long-

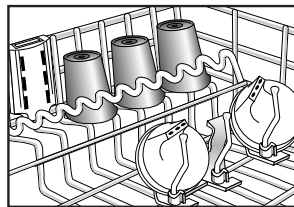
handled knives, spatulas and spoons or short items like cups or juice glasses. Fold it up for taller items like glasses, bowls, plates, etc.



The Stack-Rack is designed to hold stemware in place. Taller stemware will fit better on the right side as the upper rack is deeper on this side.

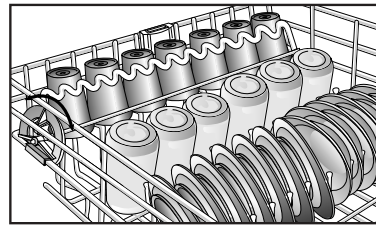


The folding tines (select models) located in the front right corner provide convenient loading space for large, bulky items like pots and pans or mixing bowls

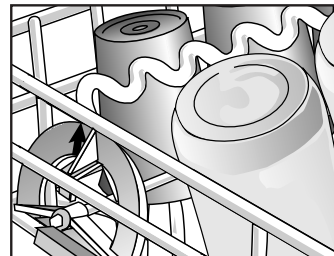


The cup clips (select models) located in the center of the upper rack can be used to

hold light weight plastic items, cooking utensils, knives, etc. in place. Clip the item between the tine and the clip.



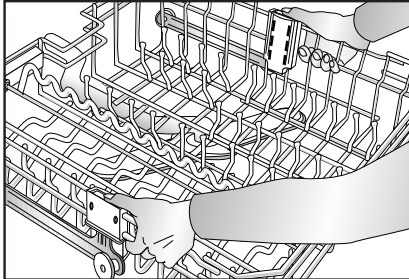
The Vari-Lock™ Snugger (select models) on the left secures lightweight items in place. It can be adjusted by grasping the wavy wire and rotating it left to snug items against the outer rack or to the right to rest on top of light items. Do not load items on top of the wire.



For best results with tall glasses, align the Vari-Lock™ Snugger (select models) wavy wire with the arrow on the rack clip. Rest the bottom of the glass against the wavy wire.

LOADING (CONTINUED)

ADJUSTABLE UPPER RACK (select models)



the upper rack is in the lower position.

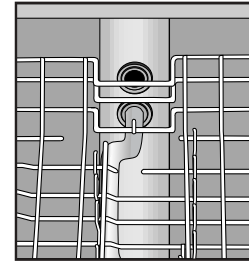
To lower the rack:

- Pull the rack fully out.
- Place hands on each adjuster.
- Press down on the top blue button and push down (the button will slide towards the center of the rack).
- The rack will come to a stop when it is in position.

To raise the rack:

- Pull the rack fully out.
- Place hands on each adjuster.
- Lift up both sides until rack comes to a stop.

The Adjustable Upper Rack (select models) can be raised or lowered to accommodate taller plates, platters, pans, etc. in the upper or lower racks. Full size plates can be loaded in the upper rack when

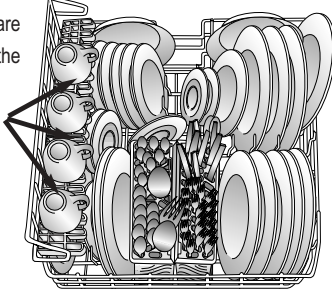


NOTE

- The dishwasher will not operate correctly if the upper rack wash arm connection is not aligned with one of the water inlet holes on back wall.
- The left and right side adjusters must both be in the upward or downward position for proper connection.

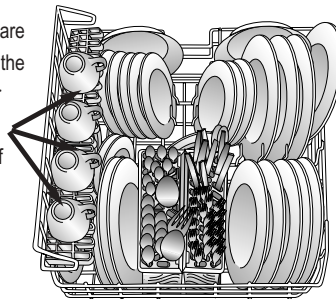
LOWER RACK

3 saucers are loaded on the rack under the Stack-Rack Shelf (select models)



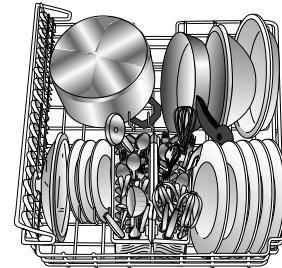
10 Place Settings (Models with folding and bowl tines.)

3 saucers are loaded on the rack under the Stack-Rack Shelf (select models)

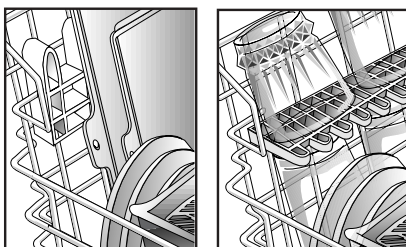


10 Place Settings (Models without folding and bowl tines.)

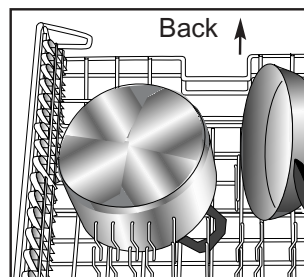
A variety of large items such as dinner plates, mixing bowls, pots and pans and baking dishes can be loaded in this rack.



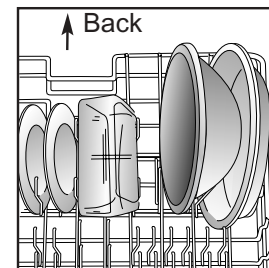
Tall items such as bakeware and large platters can be placed on the left side.



With the Stack-Rack (select models) shelf raised, thin items like cookie sheets or pizza pans may be placed along the left side. With the shelf down, two levels of glasses and cups can be loaded.



Positioning the Fold-Away™ Tines (select models) flat in the back, left corner provides convenient loading space for large, bulky items like pots and pans or mixing bowls.



Convertible Tines (select models) in the back, right corner can be adjusted to provide narrow spacing for loading plates or wide spacing for loading deep bowls, pots or pans. Flip tines up for narrow spacing or down for wider spacing.

REMOVABLE UTENSIL BASKET (Design varies by model)

For best cleaning results, prevent items from nesting together by placing some items in the basket with handles up and some with handles down. Load knives, handles up and spoons and forks handles down, through the slots in the hinged covered section(s) (when closed).

Be sure that thin, finely pointed items do not extend through the basket. This could block the lower wash arm.

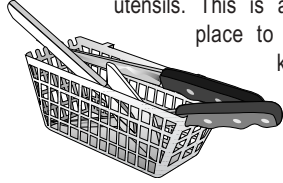


Small, lightweight items like baby spoons and plastic measuring spoons should be placed in the section(s) with the hinged cover(s).

ODDS & ENDS BASKET (Select models)

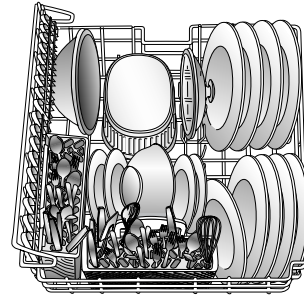
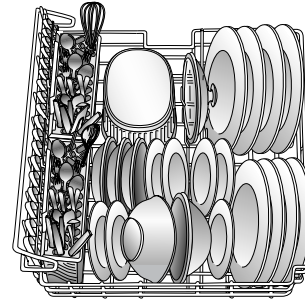
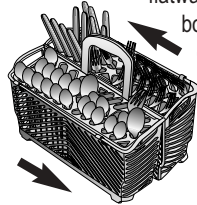
Use this supplemental basket in the upper

rack for loading miscellaneous items and utensils. This is also a safe place to load sharp knives and pointed items.



SPLIT & FIT UTENSIL BASKET (Select models)

The split silverware basket can be separated and placed in several locations in the bottom rack. Hold the basket firmly along the sides. Follow the unlock direction arrows imprinted on the basket and slide the basket apart until it splits into two. Load flatware and utensils into both sections or just one, depending upon your load.



REMOVING THE UPPER RACK

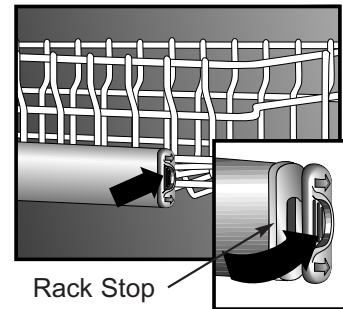
The upper rack can be removed when tall or oversized items need to be loaded into the lower rack. Unload the rack prior to removing.

TO REMOVE:

- > Roll the upper rack 1/3 to 1/2 of the way out.
- > Remove the plastic rack stop from the end of each track. To remove each plastic rack stop, push inward (towards the rack) on the ridged area

of the rack stop. The rack stop will snap open and can be easily removed by pulling straight out. Take care to support the track while removing rack stops.

- > Roll the rack all the way out of the track and remove from the dishwasher.
- > Reverse the above procedure to replace the upper rack into the dishwasher.



Rack Stop

DISHWASHING ESSENTIALS

HOT WATER

For optimal cleaning and drying results, hot water is necessary. The incoming water temperature should be 120–140° F (49-60° C) to properly activate the detergent and melt greasy food soils.

To check the incoming water temperature, turn on the hot water faucet nearest the dishwasher and let it run into a glass in the sink. Place a candy thermometer in the glass and check the temperature once it has stopped rising. If the temperature is below 120° F (49° C), have a qualified person raise the water heater thermostat setting.

Before starting the dishwasher, turn on the hot water faucet and let it run until the water is hot. This assures that the initial fill of water is hot.

DETERGENT

Use a detergent designed specifically for use in an automatic dishwasher. Be sure it is fresh and stored in a cool, dry place (not under the sink).

RECOMMENDED AMOUNT

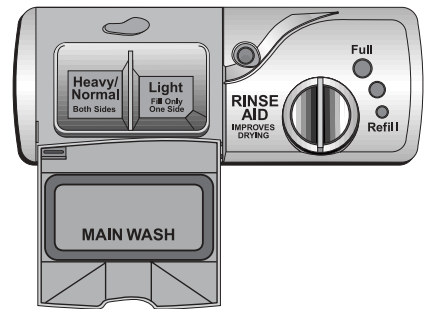
Too little detergent results in poor cleaning, hard water filming/spotting and poor drying. Too much detergent can cause permanent etching/cloudiness.

The amount of detergent to use is determined by the hardness of the water and soil level of the load. Refer to the following chart for detergent usage recommendations.

Do not use detergent with the Rinse Only cycle. Leave the detergent lid open when running Rinse Only.

In extremely hard water conditions (13 grains per gallon or more*), it is difficult to achieve good results with any dishwasher. A mechanical water softener may be necessary to improve water quality,

detergent effectiveness, and protect the dishwasher parts from the damage that hard water can cause.



Water Hardness*	Soil Level	Detergent Amount**
Soft (0-4 gpg)	Light Soil	5 teaspoons
	Normal Soil	6 teaspoons
	Heavy Soil	8 teaspoons
Medium (5-9 gpg)	Light Soil	7 teaspoons
	Normal Soil	8 teaspoons
	Heavy Soil	10 teaspoons
Hard (10-12 gpg)	Light Soil	9 teaspoons
	Normal Soil	10 teaspoons
	Heavy Soil	12 teaspoons

*Your local water utility or state university extension service can tell you the degree of water hardness in your area.

** Add recommended amount of detergent to either side of the Main Wash compartment.

RINSE AID

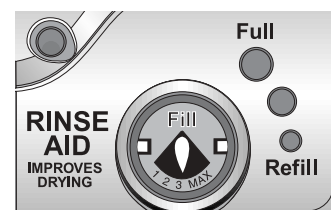
Regular use of a rinse aid improves drying, reduces spotting and filming, and reduces moisture left on the dishwasher interior.

An automatic rinse aid dispenser is located next to the detergent cup. The window next to the dispenser cap indicates when the rinse aid reservoir needs to be refilled. When the level of

rinse aid is below the indicator marks and the window is nearly clear, it is time to refill the dispenser. Check the dispenser monthly.

To add rinse aid to the dispenser, turn the cap counterclockwise to open. Remove the cap and pour liquid rinse aid into the opening. The amount of rinse aid dispensed during the cycle is adjustable by moving the lever inside the reservoir area. For most water conditions use manufacturers recommended setting of

“3”. Adjust it up to the “MAX” setting for hard water. Set the lever anywhere between these amounts as needed to get the best results. Replace the cap and turn it clockwise to close.



CONTROLS AT A GLANCE

CYCLES AND WATER USAGE

NORMAL WASH

Medium cycle for average food soils. The soil sensor is active with this cycle. Depending on the number of fills, water usage ranges from 3 to 6 gallons.

HEAVY WASH

Long cycle for heavy food soils. 8 gallons.

LIGHT WASH

Short cycle for light food soils. Water usage is 5 gallons.

AUTO CLEAN (select models)

Normal dishloads vary from day to day. Auto Clean is designed to select the number of water fills best suited for the soil level of each load. Depending on the number of fills required water usage ranges from 3 to 8 gallons.

RINSE ONLY

Rinses dishes being held until there is a full load. Controls odors. 2 gallons.

NOTE

- Cycle times shown in the numerical display (select models) increase or decrease, based on each load's soil level, water temperature and selected options.
- Using the Extra Rinse option will increase water consumption by 1½ gallons.

OPTIONS

TOUGH SCRUB™ OR TOUGH SCRUB™ PLUS (select models)

Select this option (select models) when washing loads with hard-to-remove food soils. Tough Scrub™ or Tough Scrub™ Plus can be selected with any cycle (except Rinse Only). Depending on which cycle is being used, this option adds fills, heat and/or wash time to the wash cycle.

For baked-on, dried-on soils, select Heavy Wash along with the Tough Scrub™ or Tough Scrub™ Plus option.

SANITIZE

Select Sanitize with Auto Clean (select models), Heavy, Normal, or Light Wash

to sanitize dishware. At the end of the cycle, when the cycle monitor recognizes that the proper conditions have been met, the SANITIZED light illuminates.

Sanitization may not be achieved if there is an interruption of the cycle, power failure or if the incoming water temperature is below 120° F (49° C).

EXTRA RINSE (select models)

Select Extra Rinse to add an additional rinse to the cycle. An extra rinse helps to improve results in hard water situations.

HEATED DRY

Select Heated Dry to turn on the heating element during dry for enhanced drying results. When Heated Dry is not selected,

towel drying of some items such as plastic and teflon may be necessary and more moisture may be noticed adhering to the dishwasher interior. With either dry option, it is normal to notice vapor escaping from the door vent.

START/CANCEL

To start a cycle, close the door and press the START/Cancel pad once. To cancel when a cycle is running, press the START/Cancel pad once. The dishwasher will drain, then shut off. To turn the dishwasher off without draining, press the START/Cancel pad twice.

The dishwasher remembers your last cycle so you do not have to reset the cycle each time. To start the dishwasher using the same cycle and options selected on the previous wash, just press the START/Cancel pad.

DISPLAY (select models)

The display will show the approximate cycle time. "2H" will appear in the display representing any cycle time greater than 99 minutes.

INDICATOR LIGHTS

The CLEAN light illuminates at the end of the cycle and remains lit until the door has been open for 30 seconds continuously.

The DRYING (select models) light illuminates during the entire dry period and goes out when the cycle is completed.

The WASHING (select models) light illuminates during all rinse and wash portions of the cycle.

The HEATING DELAY (select models) light illuminates when the cycle is being extended to heat the water.

The CLEAN and SANITIZED (select models) indicator lights will not re-illuminate after a power failure until after the next cycle is run.

The SANITIZED (select models) light illuminates at the end of the cycle when conditions have been met to achieve sanitization. The light will remain lit until the door has been open for 30 seconds continuously.

NOTE

- When Sanitize is selected, cycles are monitored to assure sanitization. Unusually low water temperature will prevent sanitization from being satisfied and the SANITIZED light will not illuminate at the end of the cycle.
- Only these certified cycles have been designed to meet NSF requirements: Auto Clean Cycle, Heavy Cycle, Normal Cycle and Light Cycle.

CONTROLS AT A GLANCE (CONTINUED)

DELAY

The Delay option can be used to automatically start the cycle at a later time to reduce daytime heat buildup in the home or to take advantage of reduced energy costs if available in your area.

TO SET UP A DELAY:

1. Close the door. Select the appropriate cycle and options for the load.
2. Press the Delay pad until the desired amount of delay time is selected.
3. The Delay indicator and the count down display (select models) will flash until the START/Cancel pad is pressed.

4. As soon as the START/Cancel pad is pressed, the flashing will stop and the delay time will begin counting down. The delay indicator will remain lit until the delay time has counted down.
5. The cycle will automatically start as soon as the delay time expires.

NOTE

- If 30 seconds elapse between setting the cycle and options and pressing the START/Cancel pad, the dishwasher will turn off.

TO CANCEL A DELAY:

When the delay is counting down, press the Delay pad again. The indicator light will go out and the cycle will start or resume immediately.

TO CANCEL A DELAY AND CYCLE:

- Press START/Cancel once to drain and turn off the dishwasher.

Or

- Press START/Cancel twice to turn dishwasher off without draining.

CONTROL LOCK OPTION

(select models)

The control touchpads can be locked to prevent unwanted use. If this feature is activated between cycles, the dishwasher cannot be operated until the controls are unlocked. If desired, the controls can be locked after a cycle or delay has started.

SETTING THE CONTROL LOCK:

1. Press the Heated Dry pad for three seconds.
2. An indicator light next to the lock graphic will illuminate when the controls are locked.

TO CANCEL:

1. Press the Heated Dry pad for three seconds.
2. The indicator light will go off.

NOTE

- If a cycle or option pad is pressed after the controls have been locked, the indicator light next to the lock graphic will flash five times. On selected models with a countdown display, the display will flash an "L" simultaneously with the lock indicator.
- This option does not lock the door, only the dishwasher controls.

OPERATING TIPS

STARTING THE DISHWASHER

1. After loading the dishwasher and adding detergent, close the dishwasher by pressing the door until the latch clicks.
2. To start the dishwasher, select the desired cycle and options. The indicator lights for the selected cycle and options will illuminate.
3. Press the START/Cancel pad. After a pause, the fill will begin. The display countdown will flash until START/Cancel is pressed.
4. To cancel an option, press the pad again. To cancel a running cycle, press the START/Cancel pad.

5. To prevent unplanned cycle or option changes, these selections are "locked in" after 1 minute.

NOTE

- If a cycle pad is pressed after the controls have been "locked in", the light above the current cycle will flash three times.
- If START/Cancel is not pressed within 30 seconds, the dishwasher will turn off.

ADDING A FORGOTTEN ITEM

For best cleaning, the forgotten item should be added early in the cycle.

1. Grasp door handle and unlatch door without opening completely. All lights will flash to indicate that the cycle is suspended.
2. Wait for the water circulation to stop.
3. Open the door and add the item.
4. Close and latch the door. Lights will stop flashing when the door is properly shut.
5. After a slight delay, the cycle resumes automatically at the point of interruption.

NOTE

- If the door is opened during a running cycle, there may be up to a 30 second delay before the unit restarts after closing the door.
- Extended interruption of the wash cycle is not recommended.

SPECIAL CARE ITEMS

Most tableware, cookware and flatware can safely be washed in your dishwasher. Check with the manufacturer.

Material	Dishwasher Safe?	Special Information
Aluminum	Yes, except anodized.	High water temperature and detergents may affect finish.
Cast Iron	No	Seasoning will be removed, and iron will rust.
China/Stoneware	No, if antique or hand-painted.	Always check manufacturer's recommendation before washing. Antique, hand-painted or over-the-glaze patterns may fade. Gold leaf may discolor.
Crystal	No, if antique or delicate crystal.	Always check manufacturer's recommendation before washing. Some types of leaded crystal may etch with repeated washings.
Filters	Not recommended.	May leave a dingy deposit or stain on dishwasher interior.
Glass	Yes	Milkglass can yellow with repeated dishwasher washing.
Gold-Plated Flatware	No	Will discolor.
Pewter, Tin	No	
Plastics	Yes, top rack.	Always check manufacturer's recommendation before washing. Plastics vary in their capacity to withstand high water temperatures and detergents. Disposable plastic items are not dishwasher safe for this reason.
Stainless Steel	Yes	Run a Rinse Only cycle if not washing immediately. Prolonged contact with foods containing salt, vinegar, milk products or juice could damage finish.
Sterling Silver or Silverplate	No, if has commercial "darkening".	Always check manufacturer's recommendation before washing. Run a Rinse Only cycle if not washing immediately. Prolonged contact with food containing salt, acid or sulfide (eggs, mayonnaise and seafood) could damage finish. Commercial "darkening" may be removed by detergent.
Wooden Items	No	Wood may warp, crack or discolor.

CARE AND CLEANING

INTERIOR

The dishwasher interior is normally self-cleaning. Periodically check the bottom of the dishwasher tub to see if any large particles have not gone through the strainer portion of the module.

Wipe the edge of the inner door liner to remove any food soil splashes which occurred during loading.

The color from some tomato-based food soils may occasionally adhere to various components of the dishwasher interior, causing temporary discoloration. To minimize this:

- Remove excess tomato-based food soils off of dishes, prior to loading.
- Run the Heavy Wash cycle when washing loads containing tomato-based food soils.
- Change dishwasher detergent and be sure to use a dishwasher detergent that contains chlorine to better fight staining.

EXTERIOR

The front of the dishwasher can be cleaned with a soft damp cloth and liquid spray cleaner. Do not use abrasive powders or cleaning pads.

Stainless Steel Care and Cleaning (select models)

Do not use a cleaning product containing chlorine bleach. *Always* wipe with the grain of the stainless steel. *For daily cleaning and light soil*, use a soft cloth or sponge and one of the following: mild detergent and water, a solution of white vinegar and water, Formula 409 Glass and Surface Cleaner* or a similar multi-surface cleaner. Rinse and dry. To polish and to help prevent fingerprints, follow with Stainless Steel Magic Spray* (part No. 20000008)**.

For moderate to heavy soil, clean with Bon Ami*, using a soft cloth or damp sponge. Rinse and dry. To restore luster and to remove streaks, follow with Stainless Steel Magic Spray*.

For discoloration, wipe with Cameo Stainless Steel Cleaner*, using a damp sponge or soft cloth. Rinse immediately and dry. To restore luster and to remove streaks, follow with Stainless Steel Magic Spray*.

STORAGE/MOVING

Fill detergent cup with a fresh-scented dishwasher detergent or baking soda and select the Normal Wash cycle. Allow the dishwasher to complete the cycle. Then turn the water supply off and drain the dishwasher. To drain, press the START/Cancel pad once. Operate the drain twice to ensure most of the water is removed. Last, disconnect the electrical supply and prop open the door.

When turning the water supply to the home off, the water shut off at the dishwasher must be turned off also.

*Brand names are the trademarks of the respective manufacturer.
** Call 1-800-688-8408 to order.

BEFORE YOU CALL

CHECK THESE POINTS TO HELP SAVE YOU TIME AND MONEY.

Dishwasher Will Not Fill:

- Press the START/Cancel pad to start the dishwasher.
- Be sure door is latched securely.
- Be sure the water is turned on.
- Check that the pad is properly selected for a cycle.
- Allow time to pause before filling.
- Check your home's circuit breaker or fuse box.
- Check inlet hose for a kink.
- Check water valve inlet for sediment and clean if necessary.

Dishwasher Will Not Drain/Water In Tub Bottom:

- If hooked up to a food waste disposer, be sure the knock-out is removed from the disposer inlet.
- Check for food obstruction in the drain or disposer.
- Check drain hose for a kink.
- Check your home's circuit breaker or fuse box.
- Check that the cycle is completed.

Dishwasher Adds Water at END of Cycle:

- This is normal. The sensor (select models) in the pump must stay submerged so a short fill of water is added after the cycle's last drain.

Detergent Cup Is Not Empty:

- Check that the cycle is completed.
- Be sure dispenser is not blocked.
- Use fresh detergent stored in a cool, dry place.

Dishwasher Seems Noisy:

- A water valve hiss during fill is normal.
- Water circulation sounds are normal.
- A thumping sound may be a wash arm bumping an item that is extending beyond the racks.
- Chopping or grinding sounds may be heard as the internal food disposer chops hard items like fruit seeds, nuts, etc.
- Humming during the drain is normal.
- A snap noise is the detergent cup lid hitting the door liner when the dishwasher door is opened at the end of the cycle. This is normal.
- Proper installation affects the noise level.

Cycle Takes Too Long (Heating Delay Light Stays On [select models]):

- Tough Scrub™ or Tough Scrub™ Plus (select models) or Sanitize has been selected and the cycle is extended to heat water.
- Check to see that the incoming water temperature is 120-140° F (49-60° C).

Dishwasher has an Odor:

- Run dishes being held in the dishwasher through a Rinse Only cycle.
- Many dishwashers have a "new" smell when first installed. This will dissipate with use.
- Dishwasher may not be draining properly. (See "Dishwasher Will Not Drain" section.)
- For a strong odor, place baking soda in both sides of the detergent cup. Select Light Wash and allow the water to circulate for about 10 minutes. Interrupt the cycle by unlatching the door and let it stand overnight. Restart the dishwasher by latching the door and allow it to complete the cycle. Another alternative is to use a dishwasher cleaning product such as Jet-Dry Dishwasher Cleaner*.

Dishwasher Leaks:

- Check that the dishwasher is level. (Refer to the Installation Instructions.)
- Suds can cause the dishwasher to overflow. Measure the detergent carefully and use only detergents designed for use in a dishwasher. Less detergent is needed in soft water. Try another brand if sudsing continues.
- Follow directions closely on how to add a forgotten item (pg. 7).
- To avoid rinse aid leaking from the dispenser, be sure the lid is securely attached.

Display Time Suddenly Drops or Increases by Several Minutes (select models):

- This is normal when the Auto Clean or Normal cycle (select models) is selected and the dishwasher decides to skip or add a drain and refill.

Indicator Lights Flashing:

- The countdown display (select models) flashes after a cycle is selected until the START/Cancel pad is pressed.
- The countdown display (select models) and the delay indicator flash after a delay is selected until the START/Cancel pad is pressed.
- All active display indicators flash if the door is opened during a running cycle or delay.
- The currently selected cycle flashes if the consumer attempts to change the cycle after cycle "lock-in".
- The lock indicator flashes and the countdown display (selected models) flashes an "L" if a pad is pressed while the control lock is enabled.

Glasses Are Cloudy/Spotted:

- Select Extra Rinse (select models).
- Check water temperature. Incoming water should be 120° -140° F (49-60° C).
- Always use a rinse aid.
- Confirm that the cloudiness is removable by soaking the item in white vinegar for approximately 5 minutes. If removed, the problem is due to hard water. Adjust detergent amount being used to match water hardness (pg. 5). Be sure detergent is fresh, stored properly and is a high quality brand.
- If cloudiness is not removable, it is etching. This is an erosion of the surface of the glassware and can be caused by water that is too hot, from using too much detergent or by prewashing. Detergent needs food soil to act upon. If etching has occurred, the glassware is permanently damaged. To prevent further etching, adjust the detergent amount to match the water hardness, stop prewashing, and be sure incoming water temperature is not greater than 140° F (60° C). Use water heating options only when incoming water temperature is below 120° F (49° C).

Food Soil Remains on Dishes:

- Check water temperature (pg 5).
- Run hot water at the sink before starting the dishwasher.
- Select Tough Scrub™ or Tough Scrub™ Plus (select models).
- Check water hardness and adjust detergent amount accordingly (pg. 5).
- Use fresh detergent stored in a cool dry place.
- Select proper cycle for the soil level.
- Make sure the upper rack wash arm connector is correctly aligned in one of the water inlet holes (pg. 3).
- Load items so they do not block the wash arms (pg. 2-4).
- Load the utensil basket with knife handles up and spoon and fork handles down through the slots in the covers.
- Do not place glasses over tines.
- Prior to loading, scrape off burnt on foods and wipe the starchy film from utensils used with pasta, rice and oatmeal. These soils require more energy than the rest of the load to clean.

Items Washed In The Dishwasher Or The Dishwasher Tub Itself Are Stained/Discolored:

- Aluminum utensils or pans can leave marks when they rub against other items. Leave a slight space between items.
- Iron deposits in the water can leave a yellow, brown or orange film on dishes or the dishwasher tub. A filter may be needed, check with a water treatment company.
- Separate silver or silver-plated silverware from stainless steel. These metals can be damaged by contact with each other during washing.
- Color from tomato sauces may adhere to the tub (pg. 8). If light staining has occurred, leave the door open to oxidize the stain away. For removal of heavier stains, try Cascade Plastic Booster Plastic Cleaning Additive*. Change dishwasher detergent and be sure to use a dishwasher detergent that contains chlorine to better fight staining.

Items Not Properly Dried/Moisture Is Present On The Dishwasher Interior After The Dry Cycle:

- Be sure Heated Dry is selected.
- Water droplets may form on the inner door as part of the drying process.
- Use a rinse aid like Jet Dry* or Cascade Rinse Aid* regularly, to improve drying. Turn the rinse aid selector towards the MAX setting.
- Check water temperature (pg. 5).
- Select Sanitize.
- Increase detergent amount to match water hardness (pg. 5).
- Load properly (pg. 2-4).
- Plastic and teflon items are difficult to dry because they have a porous surface which tends to collect water droplets. Towel drying may be necessary.
- Glasses and cups with concave bottoms hold water and require towel drying. Locate these items on the more slanted side of the rack for improved results.

Dishware is Chipped :

- Load dishes according to instructions so they do not strike each other (pg. 2-4).
- Washing fine antique china/crystal in the dishwasher is not recommended.
- Do not load glasses over the tines.
- Do not overload.

Sanitized Light Does Not Illuminate at the End of the Cycle (select models) :

- Sanitize was not selected.
- Sanitization can only be achieved with the Auto Clean (select models), Heavy, Normal or Light wash cycles.
- Sanitization may not be achieved if there is an interruption of the cycle, power failure or if incoming water temperature is below 120° F (49° C).

Dishwasher Door Will Not Close :

- Be sure upper rack is properly adjusted to upper or lower position (pg. 3).

DISHWASHER WARRANTY

Full One Year Warranty

For ONE (1) year from the date of original retail purchase, any part which fails in normal home use will be repaired or replaced free of charge.

Limited Second Year Warranty

After the first year from the date of original retail purchase, through the second year, parts which fail in normal home use will be repaired or replaced free of charge for the part itself, with the owner paying all other costs, including labor, mileage and transportation.

Limited Third Through Fifth Year Warranty

After the second year from the date of original retail purchase, through the fifth year, all of the following components which fail in normal home use will be repaired or replaced free of charge for the part itself, with the owner paying all other costs, including labor, mileage and transportation. These components include:

Any parts of the Jetclean II® wash system for all models, including the complete power module assembly, soil sensor, spray arms, wash manifold, and motor.

Any microprocessor and touch pad assemblies.

All models against rust, including exterior cabinet and front panels of convertible models, the exterior front panels and accessory side panels of built-in models, and premium DuraGuard® coated racks (available on select models).

Full Twenty-Year Warranty

From the date of original purchase through the twentieth year, should the tub develop a water leak in normal home use, the dishwasher itself will be replaced FREE OF CHARGE.

From the date of original purchase through the twentieth year, should the door liner develop a water leak in normal home use, repair or replacement of the door liner will be made FREE OF CHARGE.

PLEASE NOTE: These full warranties apply only when the dishwasher is located in the United States or Canada. Dishwashers located elsewhere are covered by the limited warranties only, including a limited warranty for parts which fail during the first year.

Canadian Residents

These warranties cover only those dishwashers installed in Canada that have been listed with Canadian Standards Association unless the dishwashers are brought into Canada due to transfer of residence from the United States to Canada.

The specific warranties expressed above are the ONLY warranties provided by the manufacturer. These warranties give you specific legal rights, and you may also have other rights that vary from state to state.

WHAT IS NOT COVERED BY THESE WARRANTIES:

1. Conditions and damages resulting from any of the following:
 - a. Improper installation, delivery, or maintenance.
 - b. Any repair, modification, alteration, or adjustment not authorized by the manufacturer or an authorized servicer.
 - c. Misuse, abuse, accidents, or unreasonable use.
 - d. Incorrect electric current, voltage, or supply.
 - e. Improper setting of any control.
2. Warranties are void if the original serial numbers have been removed, altered, or cannot be readily determined.
3. Products purchased for commercial or industrial use.
4. The cost of service or service call to:
 - a. Correct installation errors.
 - b. Instruct the user on the proper use of the product.
 - c. Transport the appliance to the servicer.
5. Consequential or incidental damages sustained by any person as a result of any breach of these warranties. Some states do not allow the exclusion or limitation of consequential or incidental damages, so the above exclusion may not apply.

TO RECEIVE WARRANTY SERVICE

To locate an authorized service company in your area contact the Maytag dealer from whom your appliance was purchased or call Maytag Appliances Sales Company, Maytag Customer Assistance at the number listed below. Should you not receive satisfactory warranty service, please call or write:

Maytag Appliances Sales Company
Attn: CAIR® Center
P.O. Box 2370
Cleveland, TN 37320-2370
U.S. 1-800-688-9900
CANADA 1-800-688-2002
U.S. customers using TTY for deaf, hearing impaired or speech impaired, call 1-800-688-2080.

NOTE: When writing or calling about a service problem, please include the following information:

- a. Your name, address and telephone number;
- b. Model number and serial number of your appliance ;
- c. Name and address of your dealer or servicer and the date the appliance was purchased;
- d. A clear description of the problem you are having;
- e. Water hardness, detergent brand and amount, water temperature and cycle used;
- f. Proof of purchase (sales receipt).

User's guides, service manuals and parts information are available from Maytag Appliances Sales Company, Maytag Customer Assistance.

Appendix D

USER'S GUIDE



Installer: Please leave this manual with this appliance.

Consumer: Please read and keep this manual for future reference. Keep sales receipt and/or cancelled check as proof of purchase.

Model Number

Serial Number












Date of Purchase

In our continuing effort to improve the quality and performance of our appliances, it may be necessary to make changes to the appliance without revising this guide.

If you have questions, call:

1-800-688-9900 (USA)
 1-800-688-2002 (CANADA)
 1-800-688-2080 (U.S. TTY for hearing or speech impaired)
 (Mon.-Fri., 8 am-8 pm Eastern Time)
 Internet: <http://www.maytag.com>

For service information, see page 11.

-  **SAFETY INSTRUCTIONS**Page 1
-  **LOADING**Pages 2-4
-  **DISHWASHING ESSENTIALS**Page 5
-  **CONTROLS AT A GLANCE**Page 6-7
-  **OPERATING TIPS**Page 7
-  **SPECIAL CARE ITEMS**Page 8
-  **CARE AND CLEANING**Page 8
-  **BEFORE YOU CALL**Pages 9-10
-  **WARRANTY**Page 11
-  **GUIDE DE L'UTILISATEUR**Page 12
-  **GUÍA DEL USUARIO**Page 26

IMPORTANT SAFETY INSTRUCTIONS

RECOGNIZE SAFETY SYMBOLS, WORDS, LABELS

WHAT YOU NEED TO KNOW ABOUT SAFETY INSTRUCTIONS

Warning and Important Safety Instructions appearing in this manual are not meant to cover all possible conditions and situations that may occur. Common sense, caution, and care must be exercised when installing, maintaining, or operating the dishwasher.

Always contact your dealer, distributor, service agent, or manufacturer about problems or conditions you do not understand.

WARNING


WARNING - Hazards or unsafe practices which COULD result in severe personal injury or death.

CAUTION

CAUTION - Hazards or unsafe practices which COULD result in minor personal injury.

WARNING

Check with the installer to make sure the appliance has been properly grounded to avoid possible electrical shock. Be sure you read the Important Personal Safety Instructions before you use this dishwasher.

Products with a  label have been listed with Underwriter's Laboratories, Inc. – those with a CSA tag have been listed with Canadian Standards Association. Nevertheless, as with any other equipment using electricity and moving parts, there is a potential hazard.

WARNING

When using your dishwasher, follow basic precautions, including the following:

1. Read all instructions before using the dishwasher.
2. Use the dishwasher only for its intended function.
3. Disconnect electrical power to dishwasher before attempting to service.
4. To avoid electrical shock hazard, the sides and back must be enclosed and the front panels must be attached before electrical power is applied to the dishwasher. Refer to the installation instructions for proper grounding procedures.
5. Connect to a properly rated, protected and sized power supply circuit to avoid electrical overload.
6. Children should never be permitted to operate, or play in, with, or around this dishwasher.

7. To reduce the risk of injury when loading items to be washed, sharp or pointed items should be located with the handles up. Also, load sharp items so they are not likely to damage the door seal.
8. Do not touch the heating element on the bottom of the tub during or at the completion of a cycle. It will be hot.
9. Use only detergents and rinse additives designed for a residential automatic dishwasher. Never use soap, laundry detergent, or hand washing detergent in your dishwasher. Keep these products out of reach of children.
10. Do not sit, stand on or abuse the door or dish racks of the dishwasher.
11. Under certain conditions, hydrogen gas may be produced in a hot water system that has not been used for two weeks or more. *Hydrogen gas is explosive.* If the hot water system has not been used for such a period, turn on all hot water faucets and let the water flow from each for several minutes. This will release any accumulated hydrogen gas. As the gas is flammable, do not smoke or use an open flame during this process.
12. Do not wash plastic items unless marked "dishwasher safe" or the equivalent. For plastic items not so marked, check the manufacturer's recommendations.
13. Do not tamper with controls.
14. To prevent accidental child entrapment and suffocation risks, always remove the door to the washing compartment when removing an old dishwasher from service or discarding it.
15. Use caution when unloading the dishwasher. Dishes will be hot if unloaded shortly after a cycle has completed.
16. Certified residential dishwashers are not intended for licensed food establishments.

1

Save These Instructions for Future Reference

LOADING

BEFORE YOU START

- Don't prerinse. Simply scrape off any bones or large food particles.
- If connected to a food waste disposer, make certain the disposer is empty before starting the dishwasher.
- Scrape off tomato-based food soils (see page 8).
- Remove certain foods (such as mustard, mayonnaise, lemon juice, vinegar, salt or dressings) from stainless steel flatware as soon as possible. These foods may cause rusting and pitting if allowed to remain in contact with the surface for an extended period of time.

GENERAL RECOMMENDATIONS

- Items can be centered behind a single tine or loaded at an angle to maximize space.
- Avoid blocking or preventing the spray arms from spinning freely. Do not allow items to extend beyond the racks.

RECOMMENDED LOADING

(Rack features vary by model)

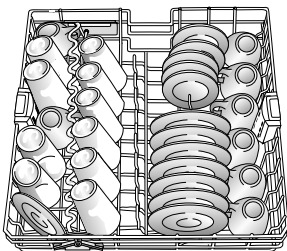
For best dishwashing results follow these guidelines to determine the best arrangement for your items.

The features on your dishwasher rack may vary from the drawings shown.

NOTE

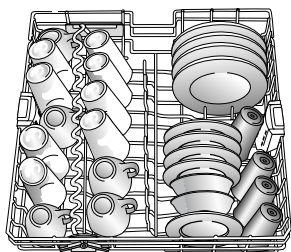
- Face soiled surfaces towards the center of the dishwasher.

UPPER RACK

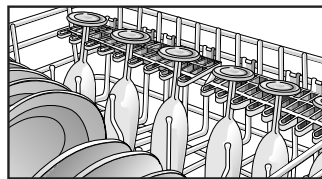
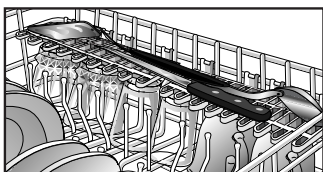


10 Place Settings

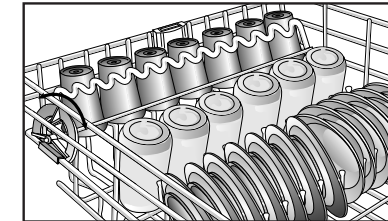
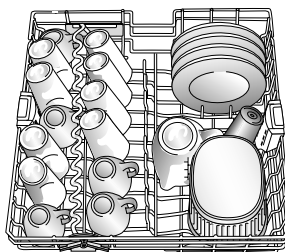
Glasses, cups, stemware, light-weight plastics, plates, bowls, pans, long-handled utensils etc. can be loaded in this rack. Do not load glasses over the tines.



The Stack-Rack (select models) on the right side of the upper rack folds up or down for loading flexibility. Fold it down to hold long-handled knives, spatulas and spoons or short items like cups or juice glasses. Fold it up for taller items like glasses, bowls, plates, etc.

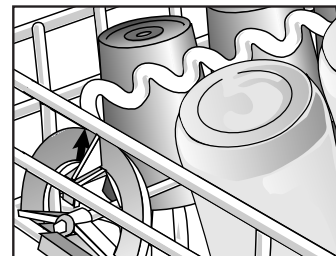
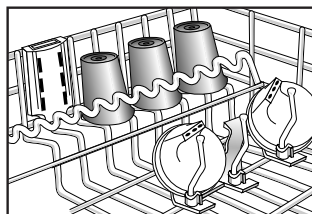


The Stack-Rack (select models) is designed to hold stemware in place. Taller stemware will fit better on the right side as the upper rack is deeper on this side.



The Vari-Lock™ Snugger (select models) on the left secures lightweight items in place. It can be adjusted by grasping the wavy wire and rotating it left to snug items against the outer rack or to the right to rest on top of light items. Do not load items on top of the wire.

The folding tines (select models) located in the front right corner provide convenient loading space for large, bulky items like pots and pans or mixing bowls.



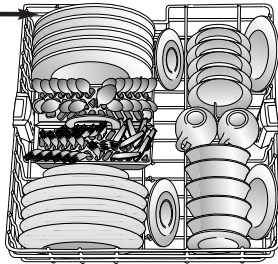
For best results with tall glasses, align the Vari-Lock™ Snugger (select models) wavy wire with the arrow on the rack clip. Rest the bottom of the glass against the wavy wire.

The cup clips (select models) located in the center of the upper rack can be used to hold light weight plastic items, cooking utensils, knives, etc. in place. Clip the item between the tine and the clip.

LOADING (CONTINUED)

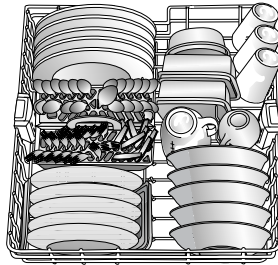
MIDDLE RACK

1 saucer is loaded behind dinner plates.

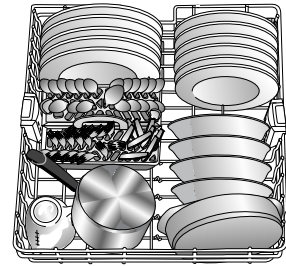


10 Place Settings

A variety of items such as cups, glasses, dinner plates, mixing bowls, pots and pans and baking dishes can be loaded in this rack.

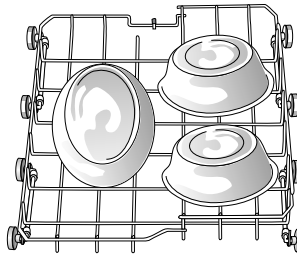


Positioning the Fold-Away™ Tines (select models) flat in front or back of the silverware basket provides convenient loading space for large, bulky items like casserole dishes, water pitchers, pots and pans or mixing bowls.

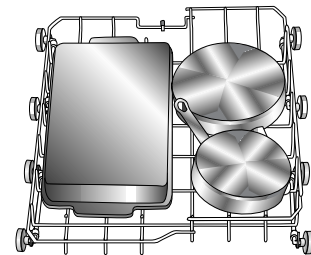


LOWER FLEXLOAD™ RACK

A variety of large items such as casserole dishes, baking pans, mixing bowls, and pots and pans can be loaded in the lower rack. When deeper dishes or pots and pans are located in this rack the middle rack can be raised. For good wash action, place items so soiled surfaces face down in the rack.



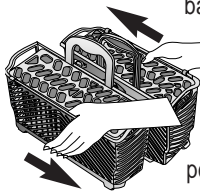
10 Place Settings



UTENSIL BASKETS

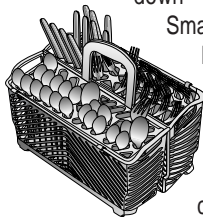
SPLIT & FIT UTENSIL BASKET

For best cleaning results, prevent items from nesting together by placing a utensil in each slot. Load knives, handles up and spoons and forks handles down through the slots. The split silverware basket can be separated in the event both sections are not needed to hold silverware. Hold the basket firmly along the sides. Unlock baskets as shown here.

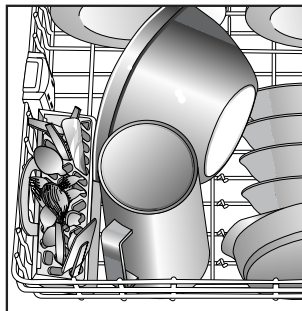


Be sure that thin, finely pointed items do not extend through the basket. This could block the wash arm.

When covers are not in use, place flatware in basket some handles up and some



down to avoid nesting. Small, lightweight items like baby spoons and plastic measuring spoons should be placed in a section of the basket with cover closed.



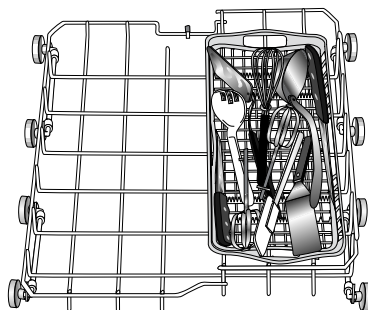
ODDS & ENDS BASKET (select models)

Use this supplemental basket in the upper or middle rack for loading miscellaneous items and utensils. This is also a safe place to load sharp knives and pointed items.

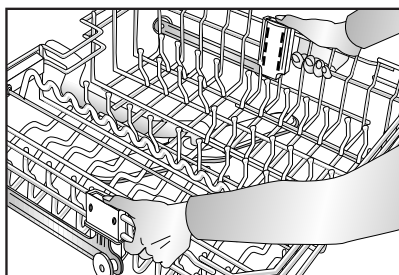


UTILITY BASKET FOR LOWER RACK (select models)

This basket is designed to load miscellaneous items like silverware, cooking utensils, knives and other larger utensils.



ADJUSTABLE RACK (select models)



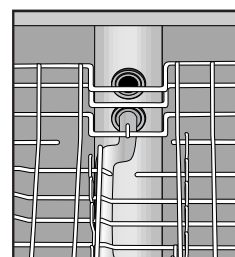
The Adjustable Upper Rack (select models) and Adjustable Middle Rack can be raised or lowered to accommodate taller plates, platters, pans, etc. in the upper, middle or lower racks. Full size dinner plates can be loaded in the upper rack if it is in the lower position.

To lower the rack:

- Pull the rack fully out.
- Place hands on each adjuster.
- Press down on the top blue button and push down (the button will slide towards the center of the rack).
- The rack will come to a stop when it is in position.

To raise the rack:

- Pull the rack fully out.
- Place hands on each adjuster.
- Lift up both sides until rack comes to a stop.



NOTE

- The dishwasher will not operate correctly if the upper rack wash arm connection is not aligned with one of the water inlet holes on back wall.
- The left and right side adjusters must both be in the upward or downward position for proper connection.

REMOVING THE UPPER AND MIDDLE RACKS

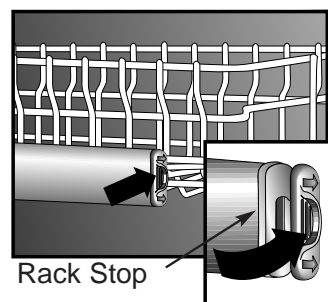
The racks can be removed when tall or oversized items need to be loaded into the middle or lower rack. Unload the rack prior to removing.

TO REMOVE:

- Roll the rack 1/3 to 1/2 of the way out.
- Remove the plastic rack stop from the end of each track. To remove each plastic rack stop, push inward

(towards the rack) on the ridged area of the rack stop. The rack stop will snap open and can be easily removed by pulling straight out. Take care to support the track while removing rack stops.

- Roll the rack all the way out of the track and remove from the dishwasher.
- Reverse the above procedure to replace the rack into the dishwasher.



Rack Stop

DISHWASHING ESSENTIALS

HOT WATER

For optimal cleaning and drying results, hot water is necessary. The incoming water temperature should be 120–140° F (49-60° C) to properly activate the detergent and melt greasy food soils.

To check the incoming water temperature, turn on the hot water faucet nearest the dishwasher and let it run into a glass in the sink. Place a candy thermometer in the glass and check the temperature once it has stopped rising. If the temperature is below 120° F (49° C), have a qualified person raise the water heater thermostat setting.

Before starting the dishwasher, turn on the hot water faucet and let it run until the water is hot. This assures that the initial fill of water is hot.

DETERGENT

Use a detergent designed specifically for use in an automatic dishwasher. Be sure it is fresh and stored in a cool, dry place (not under the sink).

RECOMMENDED AMOUNT

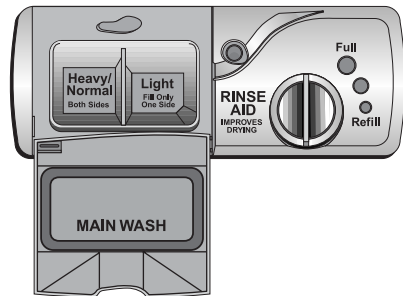
Too little detergent results in poor cleaning, hard water filming/spotting and poor drying. Too much detergent can cause permanent etching/cloudiness.

The amount of detergent to use is determined by the hardness of the water and soil level of the load. Refer to the following chart for detergent usage recommendations.

Do not use detergent with the Rinse Only cycle. Leave the detergent lid open when running Rinse Only.

In extremely hard water conditions (13 grains per gallon or more*), it is difficult to achieve good results with any dishwasher. A mechanical water softener may be

necessary to improve water quality, detergent effectiveness, and protect the dishwasher parts from the damage that hard water can cause.



Water Hardness*	Soil Level	Detergent Amount**
Soft (0-4 gpg)	Light Soil	5 teaspoons
	Normal Soil	6 teaspoons
	Heavy Soil	8 teaspoons
Medium (5-9 gpg)	Light Soil	7 teaspoons
	Normal Soil	8 teaspoons
	Heavy Soil	10 teaspoons
Hard (10-12 gpg)	Light Soil	9 teaspoons
	Normal Soil	10 teaspoons
	Heavy Soil	12 teaspoons

*Your local water utility or state university extension service can tell you the degree of water hardness in your area.

** Add recommended amount of detergent to either side of the Main Wash compartment.

RINSE AID

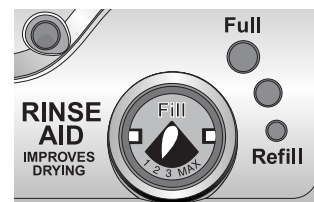
Regular use of a rinse aid improves drying, reduces spotting and filming, and reduces moisture left on the dishwasher interior.

An automatic rinse aid dispenser is located next to the detergent cup. The window next to the dispenser cap indicates when the rinse aid reservoir needs to be refilled. When the level of

rinse aid is below the indicator marks and the window is nearly clear, it is time to refill the dispenser. Check the dispenser monthly.

To add rinse aid to the dispenser, turn the cap counterclockwise to open. Remove the cap and pour liquid rinse aid into the opening. The amount of rinse aid dispensed during the cycle is adjustable by moving the lever inside the reservoir area. For most water conditions use manufacturer recommended setting of "2".

Adjust it up to the "MAX" setting for hard water. Set the lever anywhere between these amounts as needed to get the best results. Replace the cap and turn it clockwise to close.



CONTROLS AT A GLANCE

CYCLES AND WATER USAGE

NORMAL WASH

Medium cycle for average food soils. The soil sensor is active with this cycle. Depending on the number of fills, water usage ranges from 4 to 8 gallons.

HEAVY WASH

Long cycle for heavy food soils. 10 gallons.

LIGHT WASH

Short cycle for light food soils. Water usage is 6 gallons.

QUICK WASH (select models)

Quick cycle for light food soils. The cycle ends with a rinse and does not include drying. 4 gallons.

AUTO CLEAN

Normal dishloads vary from day to day. Auto Clean is designed to select the number of water fills best suited for the soil level of each load. Depending on the number of fills required water usage ranges from 4 to 10 gallons.

RINSE ONLY

Rinses dishes being held until there is a full load. Controls odors. 2 gallons.

NOTE

- Cycle times shown in the numerical display (select models) increase or decrease, based on each load's soil level, water temperature and selected options.
- Using the Extra Rinse option will increase water consumption by 2 gallons.

OPTIONS

TOUGH SCRUB™ OR TOUGH SCRUB™ PLUS (select models)

Select this option when washing loads with hard-to-remove food soils. Tough Scrub™ or Tough Scrub™ Plus can be selected with any cycle (except Rinse Only and Quick Wash). Depending on which cycle is being used, this option adds fills, heat and/or wash time to the wash cycle.

For baked-on, dried-on soils, select Heavy Wash along with the Tough Scrub™ or Tough Scrub™ Plus option.

SANITIZE

Select Sanitize with Auto Clean, Heavy, Normal, or Light Wash to sanitize dishware. At the end of the cycle, when the cycle monitor recognizes that the

proper conditions have been met, the SANITIZED light illuminates.

Sanitization may not be achieved if there is an interruption of the cycle, power failure or if the incoming water temperature is below 120° F (49° C).

EXTRA RINSE (select models)

Select Extra Rinse to add an additional rinse to the cycle. An extra rinse helps to improve results in hard water situations.

160° WASH (select models)

Raises temperature in the final rinse to 160° F. This option can be used with any cycle except Quick Wash and Rinse Only.

HEATED DRY

Select Heated Dry to turn on the heating element during dry for enhanced drying

results. When Heated Dry is not selected, towel drying of some items such as plastic and teflon may be necessary and more moisture may be noticed adhering to the dishwasher interior. With either dry option, it is normal to notice vapor escaping from the door vent.

START/CANCEL

To start a cycle, close the door and press the START/Cancel pad once. To cancel when a cycle is running, press the START/Cancel pad once. The dishwasher will drain, then shut off. To turn the dishwasher off without draining, press the START/Cancel pad twice.

The dishwasher remembers your last cycle so you do not have to reset the cycle each time. To start the dishwasher using the same cycle and options selected on the previous wash, just press the START/Cancel pad.

NOTE

- When Sanitize is selected, cycles are monitored to assure sanitization. Unusually low water temperature will prevent sanitization from being satisfied and the SANITIZED light will not illuminate at the end of the cycle.
- Only these certified cycles have been designed to meet NSF requirements: Auto Clean Cycle, Heavy Cycle, Normal Cycle and Light Cycle.

DISPLAY (select models)

The display will show the approximate cycle time. "2H" will appear in the display representing any cycle time greater than 99 minutes.

INDICATOR LIGHTS

The CLEAN light illuminates at the end of the cycle and remains lit until the door has been open for 30 seconds continuously.

The DRYING (select models) light illuminates during the entire dry period and goes out when the cycle is completed.

The WASHING (select models) light illuminates during all rinse and wash portions of the cycle.

The HEATING DELAY (select models) light illuminates when the cycle is being extended to heat the water.

The CLEAN and SANITIZED (select models) indicator lights will not re-illuminate after a power failure until after the next cycle is run.

The SANITIZED (select models) light illuminates at the end of the cycle when conditions have been met to achieve sanitization. The light will remain lit until the door has been open for 30 seconds continuously.

CONTROLS AT A GLANCE (CONTINUED)

DELAY

The Delay option can be used to automatically start the cycle at a later time to reduce daytime heat buildup in the home or to take advantage of reduced energy costs if available in your area.

TO SET UP A DELAY:

1. Select the appropriate cycle and options for the load. Close the door.
2. Press the Delay pad until the desired amount of delay time is selected.
3. The Delay indicator and the count down display (select models) will flash until the START/Cancel pad is pressed.

4. As soon as the START/Cancel pad is pressed, the flashing will stop and the delay time will begin counting down. The Delay indicator will remain lit until the delay time has counted down.
5. The cycle will automatically start as soon as the delay time expires.

NOTE

- If 30 seconds elapse between setting the cycle and options and pressing the START/Cancel pad, the dishwasher will turn off.

TO CANCEL A DELAY:

When the delay is counting down, press the Delay pad again. The indicator light will go out and the cycle will start or resume immediately.

TO CANCEL A DELAY AND CYCLE:

- Press START/Cancel once to drain and turn off the dishwasher.

Or

- Press START/Cancel twice to turn dishwasher off without draining.

CONTROL LOCK OPTION

(select models)

The control touchpads can be locked to prevent unwanted use. If this feature is activated between cycles, the dishwasher cannot be operated until the controls are unlocked. If desired, the controls can be locked after a cycle or delay has started.

SETTING THE CONTROL LOCK:

1. Press the Heated Dry pad for three seconds.
2. An indicator light next to the lock graphic will illuminate when the controls are locked.

TO CANCEL:

1. Press the Heated Dry pad for three seconds.
2. The indicator light will go off.

NOTE

- If a cycle or option pad is pressed after the controls have been locked, the indicator light next to the lock graphic will flash five times. On selected models with a countdown display, the display will flash an "L" simultaneously with the lock indicator.
- This option does not lock the door, only the dishwasher controls.

OPERATING TIPS

STARTING THE DISHWASHER

1. After loading the dishwasher and adding detergent, select the desired cycle and options by pressing the pads. The indicator lights for the selected cycle and options will illuminate. To cancel an option press the pad again.
2. Close the door until it latches then press the START/Cancel pad. After a pause, the fill will begin. The display countdown (select models) will flash until START/Cancel is pressed.
3. To cancel a running cycle, press the START/Cancel pad.

4. To prevent unplanned cycle or option changes, these selections are "locked in" after 1 minute.

NOTE

- If a cycle pad is pressed after the controls have been "locked in", the light above the current cycle will flash three times.
- If START/Cancel is not pressed within 30 seconds, the dishwasher will turn off.

ADDING A FORGOTTEN ITEM

For best cleaning, the forgotten item should be added early in the cycle.

1. Grasp door handle and unlatch door without opening completely. All lights will flash to indicate that the cycle is suspended.
2. Wait for the water circulation to stop.
3. Open the door and add the item.
4. Close and latch the door. Lights will stop flashing when the door is properly shut.
5. After a slight delay, the cycle resumes automatically at the point of interruption.

NOTE

- If the door is opened during a running cycle, there may be up to a 30 second delay before the unit restarts after closing the door.
- Extended interruption of the wash cycle is not recommended.

SPECIAL CARE ITEMS

Most tableware, cookware and flatware can safely be washed in your dishwasher. Check with the manufacturer.

Material	Dishwasher Safe?	Special Information
Aluminum	Yes, except anodized.	High water temperature and detergents may affect finish.
Cast Iron	No	Seasoning will be removed, and iron will rust.
China/Stoneware	No, if antique or hand-painted.	Always check manufacturer's recommendation before washing. Antique, hand-painted or over-the-glaze patterns may fade. Gold leaf may discolor.
Crystal	No, if antique or delicate crystal.	Always check manufacturer's recommendation before washing. Some types of leaded crystal may etch with repeated washings.
Filters	Not recommended.	May leave a dingy deposit or stain on dishwasher interior.
Glass	Yes	Milkglass can yellow with repeated dishwasher washing.
Gold-Plated Flatware	No	Will discolor.
Pewter, Tin	No	
Plastics	Yes, top rack.	Always check manufacturer's recommendation before washing. Plastics vary in their capacity to withstand high water temperatures and detergents. Disposable plastic items are not dishwasher safe for this reason.
Stainless Steel	Yes	Run a Rinse Only cycle if not washing immediately. Prolonged contact with foods containing salt, vinegar, milk products or juice could damage finish.
Sterling Silver or Silverplate	No, if has commercial "darkening".	Always check manufacturer's recommendation before washing. Run a Rinse Only cycle if not washing immediately. Prolonged contact with food containing salt, acid or sulfide (eggs, mayonnaise and seafood) could damage finish. Commercial "darkening" may be removed by detergent.
Wooden Items	No	Wood may warp, crack or discolor.

CARE AND CLEANING

INTERIOR

The dishwasher interior is normally self-cleaning. Periodically check the bottom of the dishwasher tub to see if any large particles have not gone through the strainer portion of the module.

Wipe the edge of the inner door liner to remove any food soil splashes which occurred during loading.

The color from some tomato-based food soils may occasionally adhere to various components of the dishwasher interior, causing temporary discoloration. To minimize this:

- Remove excess tomato-based food soils off of dishes, prior to loading.
- Run the Heavy Wash cycle when washing loads containing tomato-based food soils.
- Change dishwasher detergent and be sure to use a dishwasher detergent that contains chlorine to better fight staining.

EXTERIOR

The front of the dishwasher can be cleaned with a soft damp cloth and liquid spray cleaner. Do not use abrasive powders or cleaning pads.

Stainless Steel Care and Cleaning (select models)

Do not use a cleaning product containing chlorine bleach. *Always* wipe *with* the grain of the stainless steel. *For daily cleaning and light soil*, use a soft cloth or sponge and one of the following: mild detergent and water, a solution of white vinegar and water, Formula 409 Glass and Surface Cleaner* or a similar multi-surface cleaner. Rinse and dry. To polish and to help prevent fingerprints, follow with Stainless Steel Magic Spray* (part No. 20000008)**.

For moderate to heavy soil, clean with Bon Ami*, using a soft cloth or damp sponge. Rinse and dry. To restore luster and to remove streaks, follow with Stainless Steel Magic Spray*.

For discoloration, wipe with Cameo Stainless Steel Cleaner*, using a damp sponge or soft cloth. Rinse immediately and dry. To restore luster and to remove streaks, follow with Stainless Steel Magic Spray*.

STORAGE/MOVING

Fill detergent cup with a fresh-scented dishwasher detergent or baking soda and select the Normal Wash cycle. Allow the dishwasher to complete the cycle. Then turn the water supply off and drain the dishwasher. To drain, press the START/Cancel pad once. Operate the drain twice to ensure most of the water is removed. Last, disconnect the electrical supply and prop open the door.

When turning the water supply to the home off, the water shut off at the dishwasher must be turned off also.

BEFORE YOU CALL

CHECK THESE POINTS TO HELP SAVE YOU TIME AND MONEY.

Dishwasher Will Not Fill:

- Press the START/Cancel pad to start the dishwasher.
- Be sure door is latched securely.
- Be sure the water is turned on.
- Check that the pad is properly selected for a cycle.
- Allow time to pause before filling.
- Check your home's circuit breaker or fuse box.
- Check inlet hose for a kink.
- Check water valve inlet for sediment and clean if necessary.

Dishwasher Will Not Drain/Water In Tub Bottom:

- If hooked up to a food waste disposer, be sure the knock-out is removed from the disposer inlet.
- Check for food obstruction in the drain or disposer.
- Check drain hose for a kink.
- Check your home's circuit breaker or fuse box.
- Check that the cycle is completed.

Dishwasher Adds Water at END of Cycle:

- This is normal. The sensor (select models) in the pump must stay submerged so a short fill of water is added after the cycle's last drain.

Detergent Cup Is Not Empty:

- Check that the cycle is completed.
- Be sure dispenser is not blocked.
- Use fresh detergent stored in a cool, dry place.

Dishwasher Seems Noisy:

- A water valve hiss during fill is normal.
- Water circulation sounds are normal.
- A thumping sound may be a wash arm bumping an item that is extending beyond the racks.
- Chopping or grinding sounds may be heard as the internal food disposer chops hard items like fruit seeds, nuts, etc.
- Humming during the drain is normal.
- A snap noise is the detergent cup lid hitting the door liner when the dishwasher door is opened at the end of the cycle. This is normal.
- Proper installation affects the noise level.

Cycle Takes Too Long (Heating Delay Light Stays On [select models]):

- Tough Scrub™ or Tough Scrub™ Plus (select models) or Sanitize has been selected and the cycle is extended to heat water.
- Check to see that the incoming water temperature is 120-140° F (49-60° C).

Dishwasher has an Odor:

- Run dishes being held in the dishwasher through a Rinse Only cycle.
- Many dishwashers have a "new" smell when first installed. This will dissipate with use.
- Dishwasher may not be draining properly. (See "Dishwasher Will Not Drain" section.)
- For a strong odor, place baking soda in both sides of the detergent cup. Select Light Wash and allow the water to circulate for about 10 minutes. Interrupt the cycle by unlatching the door and let it stand overnight. Restart the dishwasher by latching the door and allow it to complete the cycle. Another alternative is to use a dishwasher cleaning product such as Jet-Dry Dishwasher Cleaner*.

Dishwasher Leaks:

- Check that the dishwasher is level. (Refer to the Installation Instructions.)
- Suds can cause the dishwasher to overflow. Measure the detergent carefully and use only detergents designed for use in a dishwasher. Less detergent is needed in soft water. Try another brand if sudsing continues.
- Follow directions closely on how to add a forgotten item (pg. 7).
- To avoid rinse aid leaking from the dispenser, be sure the lid is securely attached.

Display Time Suddenly Drops or Increases by Several Minutes (select models):

- This is normal when the Auto Clean or Normal cycle (select models) is selected and the dishwasher decides to skip or add a drain and refill.

Indicator Lights Flashing:

- The countdown display (select models) flashes after a cycle is selected until the START/Cancel pad is pressed.
- The countdown display (select models) and the delay indicator flash after a delay is selected until the START/Cancel pad is pressed.
- All active display indicators flash if the door is opened during a running cycle or delay.
- The currently selected cycle flashes if the consumer attempts to change the cycle after cycle "lock-in".
- The lock indicator flashes and the countdown display (selected models) flashes an "L" if a pad is pressed while the control lock is enabled.

Glasses Are Cloudy/Spotted:

- Select Extra Rinse (select models).
- Check water temperature. Incoming water should be 120° -140° F (49-60° C).
- Always use a rinse aid.
- Confirm that the cloudiness is removable by soaking the item in white vinegar for approximately 5 minutes. If removed, the problem is due to hard water. Adjust detergent amount being used to match water hardness (pg. 5). Be sure detergent is fresh, stored properly and is a high quality brand.
- If cloudiness is not removable, it is etching. This is an erosion of the surface of the glassware and can be caused by water that is too hot, from using too much detergent or by prewashing. Detergent needs food soil to act upon. If etching has occurred, the glassware is permanently damaged. To prevent further etching, adjust the detergent amount to match the water hardness, stop prewashing, and be sure incoming water temperature is not greater than 140° F (60° C). Use water heating options only when incoming water temperature is below 120° F (49° C).

Food Soil Remains on Dishes:

- Check water temperature (pg 5).
- Run hot water at the sink before starting the dishwasher.
- Select Tough Scrub™ or Tough Scrub™ Plus (select models).
- Check water hardness and adjust detergent amount accordingly (pg. 5).
- Use fresh detergent stored in a cool dry place.
- Select proper cycle for the soil level.
- Make sure the upper and middle rack wash arm connector is correctly aligned in one of the water inlet holes (pg. 4).
- Load items so they do not block the wash arms (pg. 2-4).
- Load the utensil basket with knife handles up and spoon and fork handles down through the slots in the covers.
- Do not place glasses over tines.
- Prior to loading, scrape off burnt on foods and wipe the starchy film from utensils used with pasta, rice and oatmeal. These soils require more energy than the rest of the load to clean.

Items Washed In The Dishwasher Or The Dishwasher Tub Itself Are Stained/Discolored:

- Aluminum utensils or pans can leave marks when they rub against other items. Leave a slight space between items.
- Iron deposits in the water can leave a yellow, brown or orange film on dishes or the dishwasher tub. A filter may be needed, check with a water treatment company.
- Separate silver or silver-plated silverware from stainless steel. These metals can be damaged by contact with each other during washing.
- Color from tomato sauces may adhere to the tub (pg. 8). If light staining has occurred, leave the door open to oxidize the stain away. For removal of heavier stains, try Cascade Plastic Booster Plastic Cleaning Additive*. Change dishwasher detergent and be sure to use a dishwasher detergent that contains chlorine to better fight staining.

Items Not Properly Dried/Moisture Is Present On The Dishwasher Interior After The Dry Cycle:

- Be sure Heated Dry is selected.
- Water droplets may form on the inner door as part of the drying process.
- Use a rinse aid like Jet Dry* or Cascade Rinse Aid* regularly, to improve drying. Turn the rinse aid selector towards the MAX setting.
- Check water temperature (pg. 5).
- Select Sanitize.
- Increase detergent amount to match water hardness (pg. 5).
- Load properly. (pg. 2-4)
- Plastic and teflon items are difficult to dry because they have a porous surface which tends to collect water droplets. Towel drying may be necessary.
- Glasses and cups with concave bottoms hold water and require towel drying. Locate these items on the more slanted side of the rack for improved results.

Dishware is Chipped :

- Load dishes according to instructions so they do not strike each other (pg. 2-4).
- Washing fine antique china/crystal in the dishwasher is not recommended.
- Do not load glasses over the tines.
- Do not overload.

Sanitized Light Does Not Illuminate at the End of the Cycle (select models) :

- Sanitize was not selected.
- Sanitization can only be achieved with the Auto Clean (select models), Heavy, Normal or Light wash cycles.
- Sanitization may not be achieved if there is an interruption of the cycle, power failure or if incoming water temperature is below 120° F (49° C).

Dishwasher Door Will Not Close :

- Be sure adjustable racks (select models) are properly adjusted to upper or lower position (pg. 4).

DISHWASHER WARRANTY

Full One Year Warranty

For ONE (1) year from the date of original retail purchase, any part which fails in normal home use will be repaired or replaced free of charge.

Limited Second Year Warranty

After the first year from the date of original retail purchase, through the second year, parts which fail in normal home use will be repaired or replaced free of charge for the part itself, with the owner paying all other costs, including labor, mileage and transportation.

Limited Third Through Fifth Year Warranty

After the second year from the date of original retail purchase, through the fifth year, all of the following components which fail in normal home use will be repaired or replaced free of charge for the part itself, with the owner paying all other costs, including labor, mileage and transportation. These components include:

Any parts of the Jetclean II® wash system for all models, including the complete power module assembly, soil sensor, spray arms, wash manifold, and motor.

Any microprocessor and touch pad assemblies.

All models against rust, including exterior cabinet and front panels of convertible models, the exterior front panels and accessory side panels of built-in models, and premium DuraGuard® coated racks (available on select models).

Full Twenty-Year Warranty

From the date of original purchase through the twentieth year, should the tub develop a water leak in normal home use, the dishwasher itself will be replaced FREE OF CHARGE.

From the date of original purchase through the twentieth year, should the door liner develop a water leak in normal home use, repair or replacement of the door liner will be made FREE OF CHARGE.

PLEASE NOTE: These full warranties apply only when the dishwasher is located in the United States or Canada. Dishwashers located elsewhere are covered by the limited warranties only, including a limited warranty for parts which fail during the first year.

Canadian Residents

These warranties cover only those dishwashers installed in Canada that have been listed with Canadian Standards Association unless the dishwashers are brought into Canada due to transfer of residence from the United States to Canada.

The specific warranties expressed above are the ONLY warranties provided by the manufacturer. These warranties give you specific legal rights, and you may also have other rights that vary from state to state.

WHAT IS NOT COVERED BY THESE WARRANTIES:

1. Conditions and damages resulting from any of the following:
 - a. Improper installation, delivery, or maintenance.
 - b. Any repair, modification, alteration, or adjustment not authorized by the manufacturer or an authorized servicer.
 - c. Misuse, abuse, accidents, or unreasonable use.
 - d. Incorrect electric current, voltage, or supply.
 - e. Improper setting of any control.
2. Warranties are void if the original serial numbers have been removed, altered, or cannot be readily determined.
3. Products purchased for commercial or industrial use.
4. The cost of service or service call to:
 - a. Correct installation errors.
 - b. Instruct the user on the proper use of the product.
 - c. Transport the appliance to the servicer.
5. Consequential or incidental damages sustained by any person as a result of any breach of these warranties. Some states do not allow the exclusion or limitation of consequential or incidental damages, so the above exclusion may not apply.

TO RECEIVE WARRANTY SERVICE

To locate an authorized service company in your area contact the Maytag dealer from whom your appliance was purchased or call Maytag Appliances Sales Company, Maytag Customer Assistance at the number listed below. Should you not receive satisfactory warranty service, please call or write:

Maytag Appliances Sales Company

Attn: CAIR® Center

P.O. Box 2370

Cleveland, TN 37320-2370

U.S. 1-800-688-9900

CANADA 1-800-688-2002

U.S. customers using TTY for deaf, hearing impaired or speech impaired, call 1-800-688-2080.

NOTE: When writing or calling about a service problem, please include the following information:

- a. Your name, address and telephone number;
- b. Model number and serial number of your appliance ;
- c. Name and address of your dealer or servicer and the date the appliance was purchased;
- d. A clear description of the problem you are having;
- e. Water hardness, detergent brand and amount, water temperature and cycle used;
- f. Proof of purchase (sales receipt).

User's guides, service manuals and parts information are available from Maytag Appliances Sales Company, Maytag Customer Assistance.