



# TECHNICAL SERVICE GUIDE

## 30-in. Electric Drop-In/Slide-In Range



**Drop-In**  
JD966  
JDP46

**Slide-In**  
JS966  
JSP56  
JSP46





### **IMPORTANT SAFETY NOTICE**

The information in this service guide is intended for use by individuals possessing adequate backgrounds of electrical, electronic, and mechanical experience. Any attempt to repair a major appliance may result in personal injury and property damage. The manufacturer or seller cannot be responsible for the interpretation of this information, nor can it assume any liability in connection with its use.

### **WARNING**

To avoid personal injury, disconnect power before servicing this product. If electrical power is required for diagnosis or test purposes, disconnect the power immediately after performing the necessary checks.

### **RECONNECT ALL GROUNDING DEVICES**

If grounding wires, screws, straps, clips, nuts, or washers used to complete a path to ground are removed for service, they must be returned to their original position and properly fastened.

***GE Consumer Home Services Training***

*Technical Service Guide*

*Copyright © 2001*

All rights reserved. This service guide may not be reproduced in whole or in part in any form without written permission from the General Electric Company.

## Table of Contents

<b>Introduction</b>	.....	<b>2</b>
<b>Installation</b>	.....	<b>3</b>
<b>Specifications and Nomenclature</b>	.....	<b>21</b>
<b>Warranty Information</b>	.....	<b>22</b>
<b>Features and Controls</b>	.....	<b>23</b>
<b>Mechanical Disassembly</b>	.....	<b>29</b>
<b>Diagnostics</b>	.....	<b>37</b>
<b>Component and Connector Locator Views</b>	.....	<b>41</b>
<b>Schematics and Strip Circuits</b>	.....	<b>46</b>
<b>Parts List</b>	.....	<b>52</b>

# Introduction



The new 30-in. Drop-In and Slide-In Electric Ranges make an eloquent statement of style, convenience, and kitchen planning flexibility. The SmartSet Electronic Touch Controls are simple to understand and easy to operate. Just read and touch.

These ranges include many helpful features, such as a specially designed touch-control panel that is uniquely angled for optimal, user-friendly operation and a warming zone for very low-heat cooking, preparing sauces, and keeping food warm and ready to enjoy. The convection baking and

roasting feature provides even cooking and superior baking every time.

It's easy to see how GE's fresh ideas can make anyone more creative in the kitchen!

New servicing features include front accessibility to all components except the convection oven fan motor and easy replacement access to the oven door locking assembly.

The information on the following pages will help you service these new 30-in. Drop-In and Slide-In Electric Ranges effectively and efficiently.

# Installation

## Table of Contents

Safety Instructions .....	4
<b>Cutout Dimensions and Required Clearances</b>	
Drop-In Range .....	5
Slide-In Range .....	6
Standard Installation Preparation .....	7
<b>Electrical Connections</b>	
Drop-In Range .....	8
Slide-In Range .....	11
<b>Anti-Tip Bracket Installation</b>	
Drop-In Range .....	12
Slide-In Range .....	16
Final Check List .....	19
Operation Check List .....	19

## For Your Safety



**WARNING: For personal safety remove house fuse or open circuit breaker before beginning installation. Failure to do so could result in serious injury or even death.**

All rough-in and spacing dimensions must be met for safe use of your range. Electricity to the range can be disconnected at the outlet without moving the range if the outlet is in the preferred location (remove lower drawer).

To reduce the risk of burns or fire when reaching over hot surface elements, cabinet storage space above the cooktop should be avoided. If cabinet storage space is to be provided above the cooktop, the risk can be reduced by installing a range hood that sticks out at least 5" beyond the front of the cabinets. Cabinets installed above a cooktop must be no deeper than 13".

Be sure your appliance is properly installed and grounded by a qualified technician.



**WARNING: To reduce the risk of tipping, the appliance must be secured by properly installing the anti-tip bracket packed with the appliance.**



### WARNING

- All ranges can tip
- Injury to persons could result
- Install anti-tip bracket packed with range
- See Installation Instructions



If you pull the range out and away from the wall for any reason, make sure the Anti-Tip bracket is engaged when the range is pushed back against the wall.

## Electrical Requirements

This appliance must be supplied with the proper voltage and frequency, and connected to an individual properly grounded branch circuit, protected by a circuit breaker or fuse having amperage as specified on the rating plate. The rating plate is located above the storage drawer on the oven frame.\*

We recommend you have the electrical wiring and hookup of your range connected by a qualified electrician. After installation, have the electrician show you where your main range disconnect is located.

Check with your local utilities for electrical codes which apply in your area. Failure to wire your oven according to governing codes could result in a hazardous condition. If there are no local codes, your range must be wired and fused to meet the requirements of the National Electrical Code, ANSI/NFPA No. 70-Latest Edition. You can get a copy by writing:

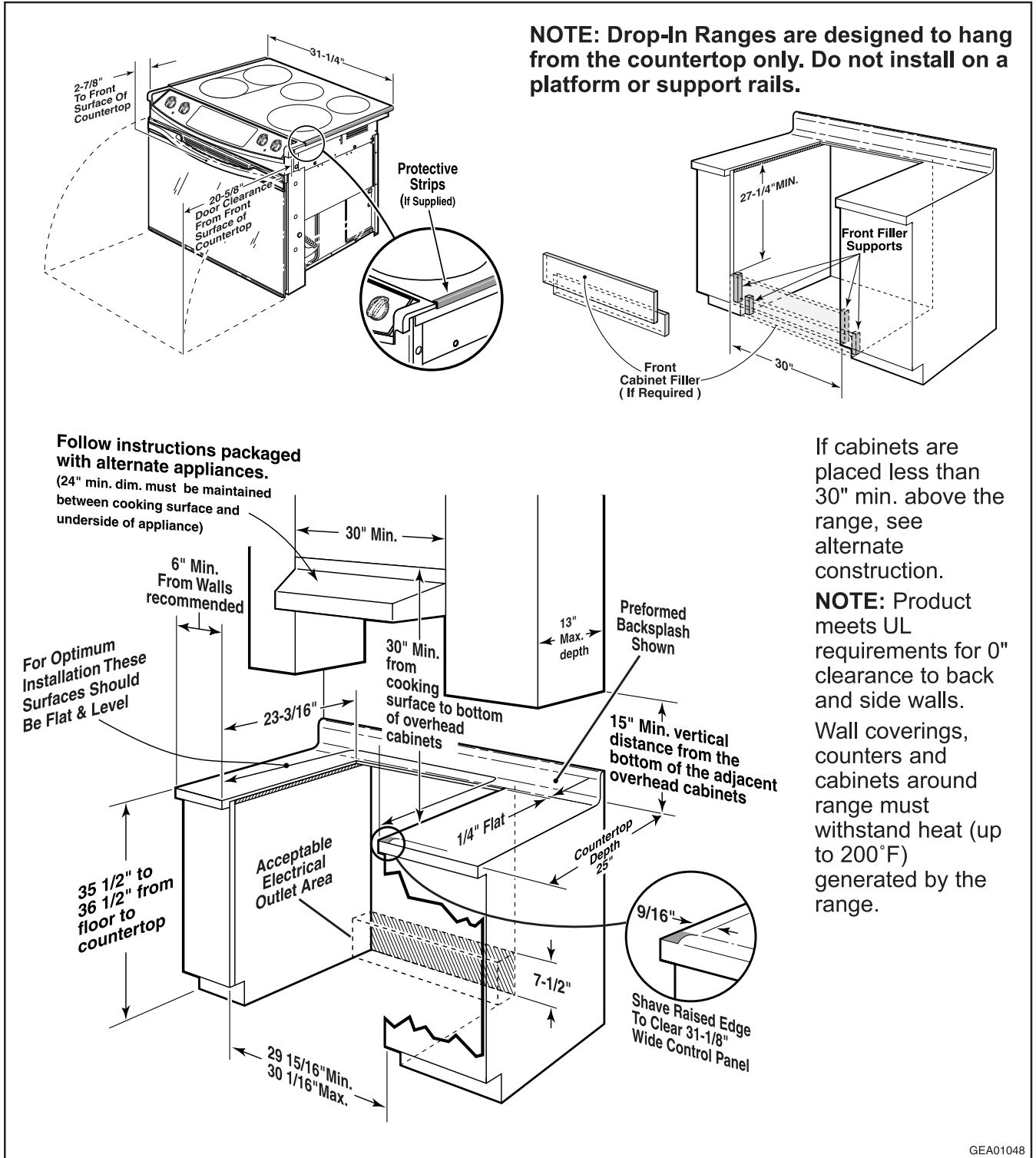
National Fire Protection Association  
Battery March Park  
Quincy, MA 02269

Effective January 1, 1996, the National Electrical Code requires that new, but not existing, construction utilize a 4 conductor connection to an electric range. When installing an electric range in new construction, follow the instructions in the section on NEW CONSTRUCTION AND FOUR CONDUCTOR BRANCH CIRCUIT CONNECTION.

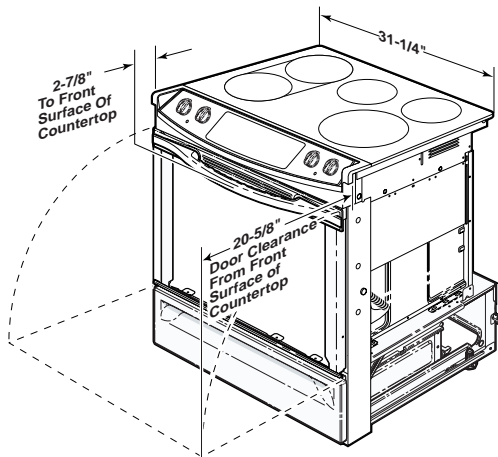
You must use a three-wire, single-phase A.C. 208Y/120 Volt or 240/120 Volt, 60 hertz electrical system. If you connect to aluminum wiring, properly installed connectors approved for use with aluminum wiring must be used.

\*On the Drop-In Range, the rating plate is located behind the oven door.

# Cutout Dimensions and Required Clearances Drop-In Range



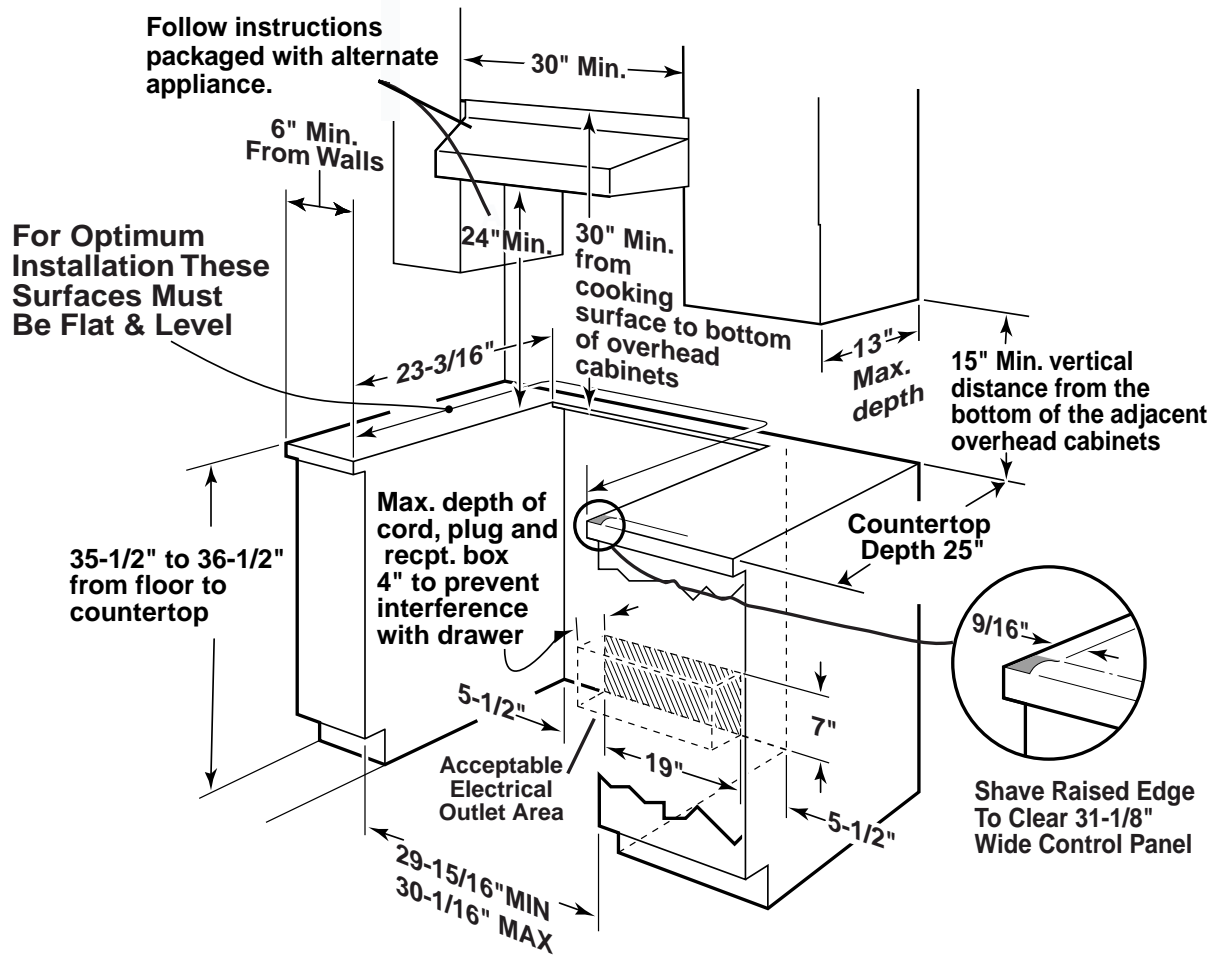
## Cutout Dimensions and Required Clearances Slide-In Range



If cabinets are placed less than 30" above the range, see alternate construction page 12.

**NOTE:** Product meets UL requirements for 0" clearance to back and side walls.

Wall coverings, counters and cabinets around range must withstand heat (up to 200°F) generated by the range.



GEA01050



## Standard Installation Preparation

### Standard Installation

The Standard Installation of the Drop-In Range is to hang by the countertop on the side metal flanges under the glass cooktop. This Range must not be installed on a base or sub structure. If the construction of your cabinet cannot provide a 1/4-in. flat area at the back of the countertop opening, consider changing the countertop to accommodate this dimension. If the area is not flat, excess tension may be applied to the glass cooktop causing breakage and voiding the warranty.

#### Drop-In

#### Slide-In

**B1** Center the 30" wide opening over the adjacent cabinets and mark with a straight edge.

**B2** Using a straight edge mark the back line at 23-3/16" from the front edge of the counter.

**B3** Be careful not to damage the adjacent cabinets while cutting the countertop. Use a hand or saber saw to make straight smooth cuts.

**B4** Remove countertop raised edge. If incorporated (See illustration on page 5).

### Grounding Specifications

Ground Path Resistance 0.10  $\Omega$  Max.

Insulation Resistance 250K  $\Omega$  Min.

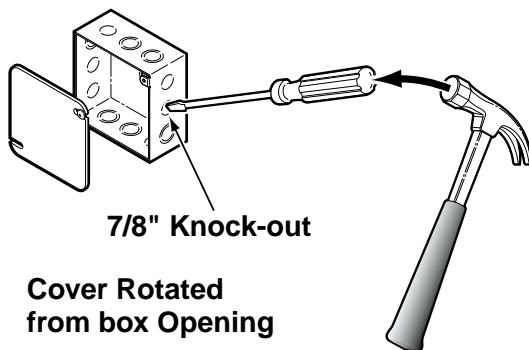
### Overcurrent Protection Ranges

NEC Rating	Maximum Kilowatt Rating		
	208 V	236 V	240 V
35 Amp	-	12.4	12.4
40 Amp	12.4	15.4	16.0
50 Amp	17.4	21.4	22.0

## Electrical Connections

### Drop-In Range

- C1** Remove house fuse or open circuit breaker.
- C2** Loosen screws for the junction box cover and rotate out of place or remove the cover.
- C3** Examine the junction box location and determine the best routing of the conduit and select the best available 7/8" diameter knock out. Avoid using holes in the top of the junction box to prevent the conduit from interfering with the back of the range.
- C4** Break open the selected knock out by placing a bladed screw driver on the scored opening in the junction box and strike the screw driver with a hammer. (Pliers may be required to complete the removal of the knock out.)



- C5** Position the range in front of the opening but slightly to the side in a manner that a person can enter the opening to wire the range to the house wiring in the junction box.
- C6** Feed wires and conduit through the open hole and snap the conduit fitting into the hole. Route the conduit in a manner that will not interfere with the rear wire cover. The conduit must be routed below the wire cover.



**WARNING:** Improper connection of aluminum house wiring to copper leads can result in an electrical hazard or fire. Use only connectors designed for joining copper to aluminum and follow the manufacturer's recommended procedure closely.

**GENERAL NOTE FOR ALL WIRE NUT APPLICATIONS: THE PROPER SIZE WIRE NUT SHALL BE PLACED OVER THE STRIPPED LEADS AND THE WIRE NUT TWISTED UNTIL THE WIRE NUT CAN NOT BE PULLED FROM THE LEADS. NO CONDUCTOR SHALL BE EXPOSED IN THE CONNECTION. THE EXCEPTION TO THE CONDUCTOR BEING EXPOSED IS THE BARE COPPER GROUND CONNECTION.**

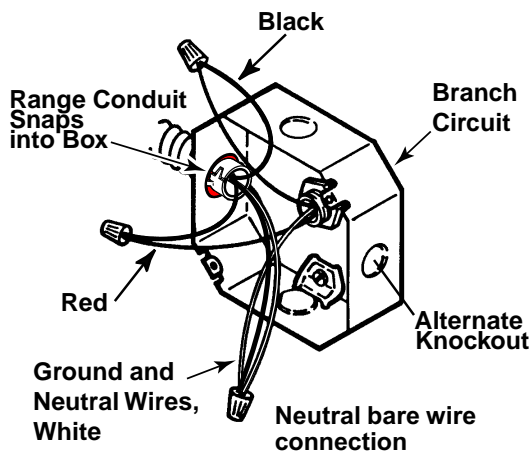
GEA01049

### THREE-CONDUCTOR BRANCH CIRCUIT CONNECTION

When connecting to a 3-conductor branch circuit, if local codes permit:

**C7a** Connect the bare oven ground conductor with the crimped neutral (white) lead to the branch circuit neutral (white or gray in color), using wire nut.

**C7b** Connect the oven red lead to the branch circuit red lead, and the oven black lead to the branch circuit black lead in accordance with local codes, using wire nuts. If the residence red, black or white leads are aluminum conductors, see "WARNING" note (See page 6).



OR

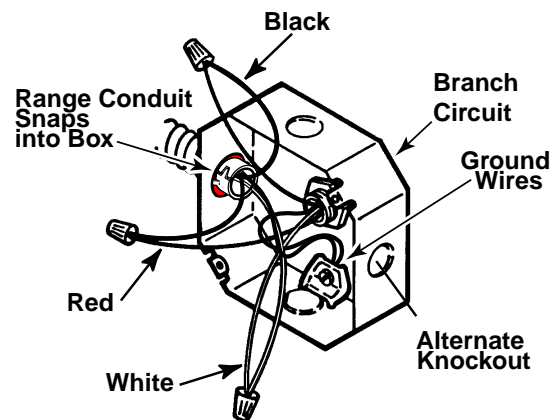
### NEW CONSTRUCTION AND FOUR-CONDUCTOR BRANCH CIRCUIT CONNECTION

- When installing in a new construction, or
- When installing oven in a mobile home, or
- When local codes do not permit grounding through neutral:

**C7a** Cut the neutral (White) lead from the crimp. Re-strip the neutral (white) lead to expose the proper length of conductor and connect it to the white or gray branch circuit neutral in accordance with local code using wire nuts.

**C7b** Attach the appliance grounding lead (green or bare copper) in accordance with local codes. If the residence grounding conductor is aluminum, see WARNING note (See page 6).

**C7c** Connect the oven red lead to the branch circuit red lead and the oven black lead to the branch circuit black lead in accordance with local codes, using wire nuts. If the residence red, black or white leads are aluminum conductors, see "WARNING" note (See page 6).



**C8**

Reinstall Junction box cover.

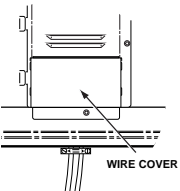
**Do not shorten the flexible conduit. The conduit strain relief clamp must be securely attached to the junction box and the flexible conduit must be securely attached to the clamp. If the flexible conduit will not fit within the junction box, do not install the oven until a clamp of the proper size is obtained.**

NOTE TO ELECTRICIAN: The 3 power leads supplied with this appliance are UL recognized for connection to larger gauge household wiring. The insulation of these 3 leads is rated at temperatures much higher than the temperature rating of household wiring. The current carrying capacity of the conductor is governed by the temperature rating of the insulation around the wire, rather than the wire gauge alone.

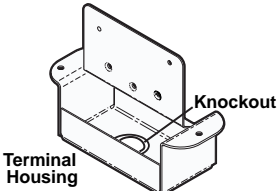
# Electrical Connections

## Slide-In Range


**C1** Remove wire cover at lower rear of range.



**C2** When using a power cord, remove the knockout in the connection plate with pliers as required by the size of the strain relief or clamp supplied with cord.

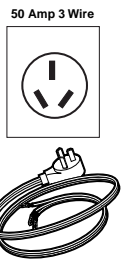


**C3** Insert power cord through hole in the terminal housing, engage and tighten strain relief clamp, leaving enough wire length to attach terminals to terminal block.

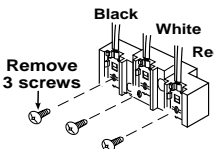


**C3a** **FOLLOW INSTRUCTIONS BELOW IF YOUR CORD IS 3 WIRE.**

The power cord center wire must be connected to middle terminal on block. Attach remaining wires securely. Do not remove ground strap



**Remove 3 screws**



**Black White Red**

**Connection Plate**

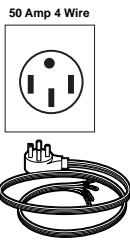
**3 wire cord kit**

**Strain Relief Clamp**

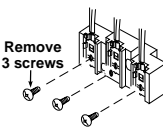
**OR**

**NEW CONSTRUCTION AND FOUR CONDUCTOR BRANCH CIRCUIT**

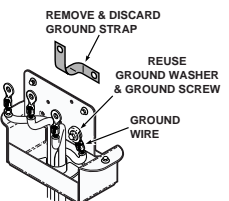
**C4a** Follow instructions below if your cord is 4 wire.



**C4b** Remove the screws on the terminal block. Do not remove terminal block.



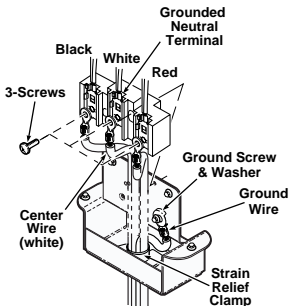
**C4c** Remove the green ground wire. Then remove the ground strap and discard it.



**Terminal Block**

**C4d** Attach the green or bare wire below the terminal block with the green ground screw and washer that were removed earlier.

**C4e** Connect the red and black wires to the outside terminals. The white wire must be connected to the center terminal.



**C5** Re-install the wire cover making sure the wires do not become pinched between wire cover and housing.

**Anti-Tip Bracket Installation**  
**Drop-In Range**

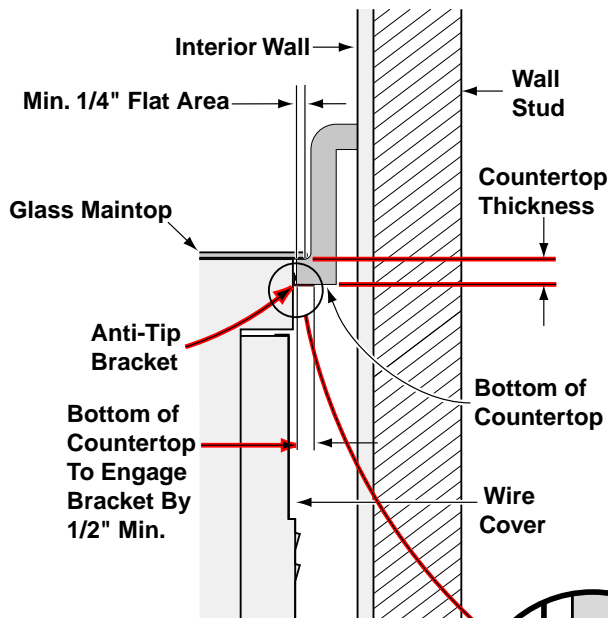
**Installing the Anti-Tip Bracket**

**D1** The anti-tip bracket is attached to the back of the Drop-In Range. It is designed to fit under the bottom of the countertop opening at the rear. Measure counter thickness at back of cutout to determine correct bracket location.

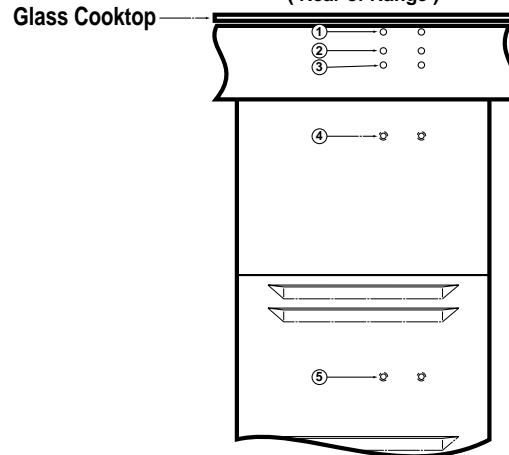
Select the proper position for the countertop thickness and move bracket to proper position. (Unit is supplied with bracket in position 1.)

- ① for 3/4" counter
- ② for 1.18" (3cm) counter
- ③ for 1.5" counter
- ④ for 3.5"
- ⑤ Alternate (Shown Below)

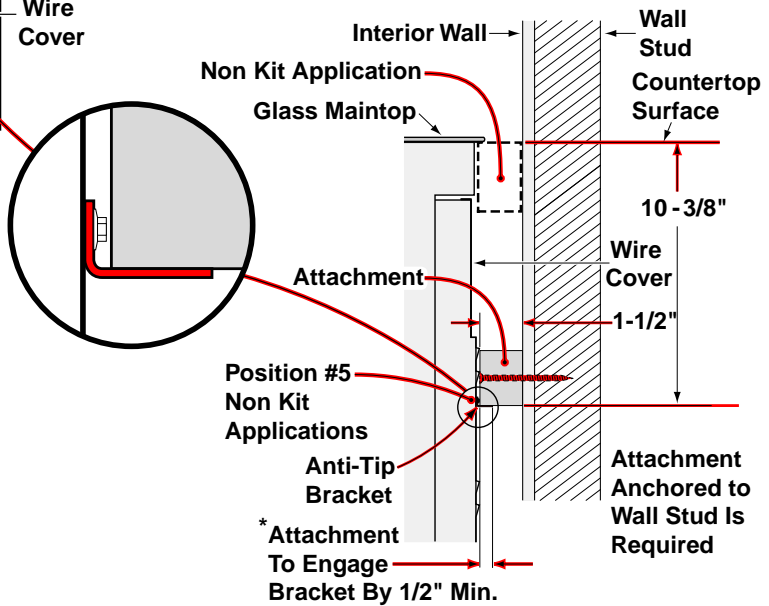
**ANTI-TIP INSTALLATIONS**



**Anti-Tip Bracket Location**  
**(Rear of Range)**

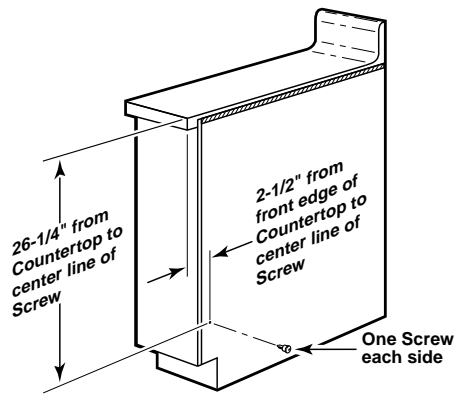


**ALTERNATE ANTI-TIP INSTALLATIONS**



## Install Stop Screw

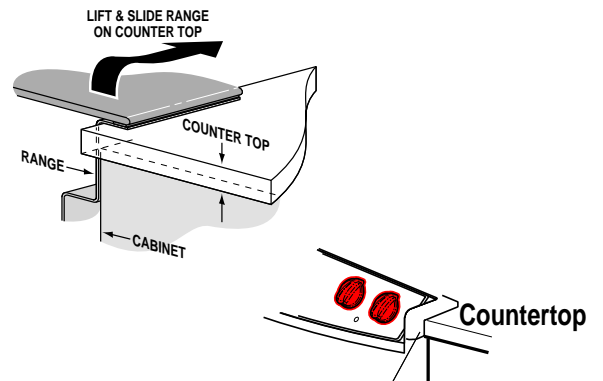
**D2** These screws prevent the range from sliding out of position during operation.



Carefully mark the cabinet for the location of the stop screws. Drill 1/8" pilot holes into the cabinet, each side of the range. (Make sure not to drill entirely through the cabinet wall.) Carefully turn the shoulder screws into the pilot holes until they are tight.

## Placing the Range into the Opening

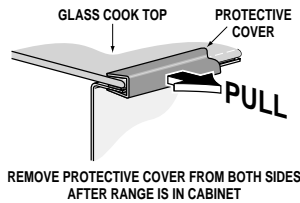
**D3** It is suggested that two people lift the range into place, carefully setting the side metal flanges under the glass on the edges of the countertop opening. The protective channels must be in place (if supplied) during this operation. Carefully slide the range toward the back of the opening. In the last 1" of travel lift the front of the range approx. 1/2" to clear the stop screws located in the sides of the cabinet and slide the range until the range is seated. Lower front of the range on countertop.



Make sure the edge  
of the countertop fits flush  
against the end of the  
Front Control Panel

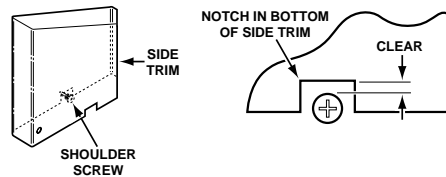
## Remove the Protective Channels (If Provided)

- D4** Carefully remove the protective channels from the sides of the glass cooktop. This may require a slight lifting of the range to remove the weight of the range from the protective channels.



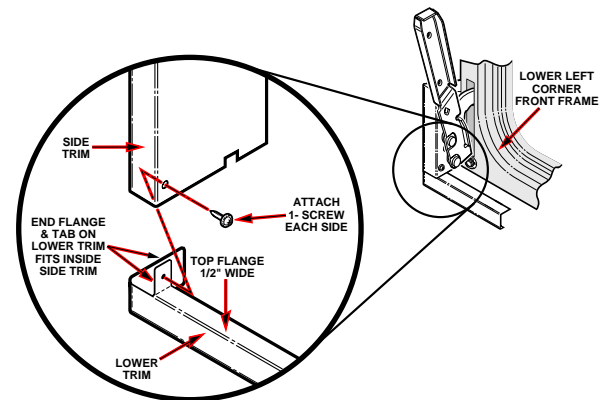
## Check For Proper Installation of the Stop Screw

- D5** Look at both sides of the range under the door. The stop screws must be located in the notch on the sides of the range, and not touch the top of the notch when the range is fully seated on the countertop. If the screws do not meet the requirements move the screws to a position that meets these requirements. (See illustration below.)



## Attach the Lower Trim

- D6** Attach the lower trim (supplied separately with the range), to the bottom of the vertical side trim with the 2 screws supplied.





## Replace the Oven Door

**CAUTION:** The oven door is heavy. You may need help lifting the door high enough to slide it down onto the hinges. Do not lift the door by the handle.

**D7**

Make sure both hinges are in the broil stop position.

**D8**

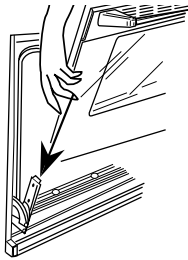
Grasp the door on both sides.

**D9**

Lift the door over the hinges lining up the hinges with the hinge slots on the bottom of the oven door.

**D10**

Slide the door down onto the hinges as far as it will go and close the oven door.



## Check for Proper Installation of Anti-Tip Bracket

**D11**

Lower the oven door and gently apply medium force at the handle end until movement of the range is detected. Continue pressing until the anti-tip bracket is engaged and movement stops. A small amount of movement is acceptable at the back of the range top, but it should be stable and not tip once the anti-tip bracket is engaged.

# Anti-Tip Bracket Installation Slide-In Range

## D1 Locating The Bracket

- Decide whether the bracket will be installed on the right or left side of range opening.
- Place the bracket as shown in Fig. 1.

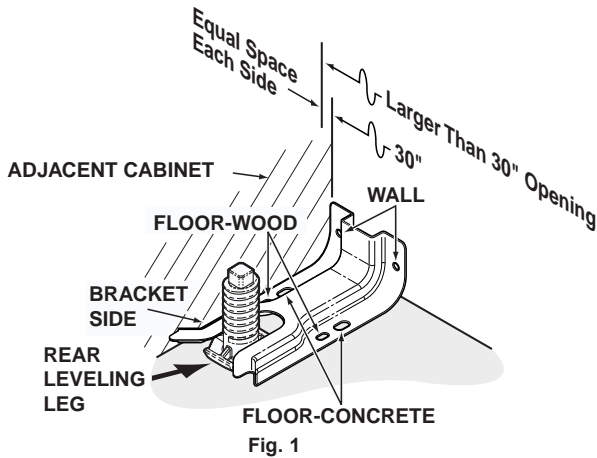


Fig. 1

## D2 Installing The Bracket in Wood or Concrete

### INSTALLATION-WOOD CONSTRUCTION

- Locate the centers of the four holes identified in Fig. 1 as Floor-Wood and Wall.
- Drill a 1/8" pilot hole through the pre-marked areas. Note the angle of the wall screw in Fig. 2.
- Mount the Anti-Tip bracket with the four screws provided.

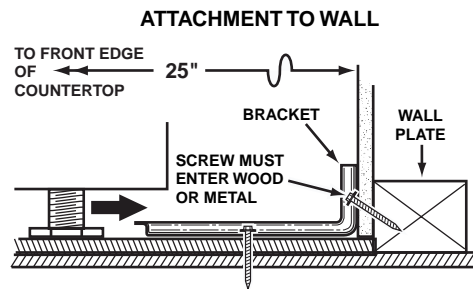


Fig. 2

### INSTALLATION-CONCRETE CONSTRUCTION

- For concrete installation you will need two 1/4"x 1-1/2" lag screws, and two sleeve anchors.
- Locate the center of the four holes identified in Fig. 1 as Floor-Concrete and Wall. Drill the recommended size holes in each.
- Install the sleeve anchors into the predrilled concrete holes and install the lag and wall screws through the Anti-Tip bracket. Make sure the screws are securely tightened.

GEA01052

## SLIDE RANGE INTO OPENING

**E1**

Position the range in front of the cabinet opening.

**E2**

Make sure that the glass which overhangs the countertop clears the countertop. Raise the unit by lowering the leveling legs if necessary.

**E3**

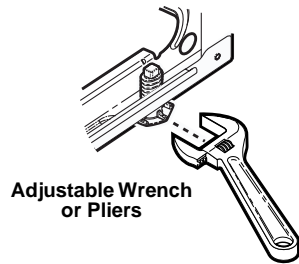
Push while lifting the range into the opening until the range is within 2" of engaging the anti-tip bracket.

**E4**

Remove the protective trim from the side of glass. (If provided)

**E5**

Using the adjustable pliers or wrench carefully screw in the back leveling leg until the glass overhang comes to rest on the counter top.

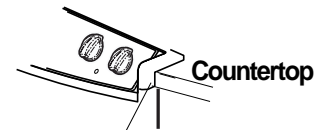


**E6**

Then carefully screw in the front two leveling legs (similar to E5) until the glass overhang touches the countertop.

**E7**

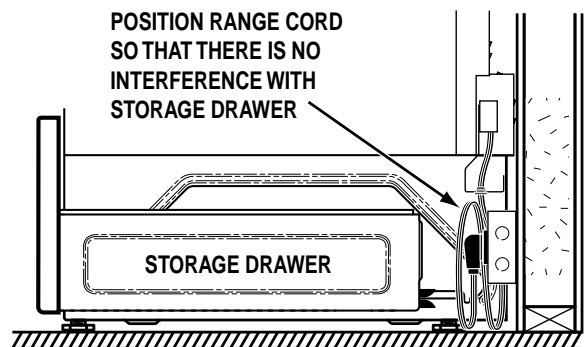
Carefully push the range into the opening until the counter top fully engages the control panel. The back glass overhang should cover the cutout opening.



Make sure the edge  
of the countertop fits flush  
against the end of the  
Front Control Panel

**E8**

Plug range cord into receptacle. Locate the cord in the back of the range in a manner that will not touch or be moved by the drawer.

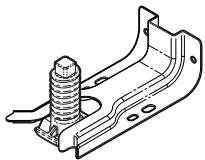


GEA01053

## Final Check of the Anti-Tip Bracket

**E9**

When installation is complete and the range is in place, inspect to be sure the rear leveling leg is fully inserted into the slot of the Anti-Tip Bracket.



**CAUTION: The oven door is heavy. You may need help lifting the door high enough to slide it down onto the hinges. Do not lift the door by the handle.**

## Replacing the Oven Door

**E10**

Make sure the hinge is in the broil stop position.

**E11**

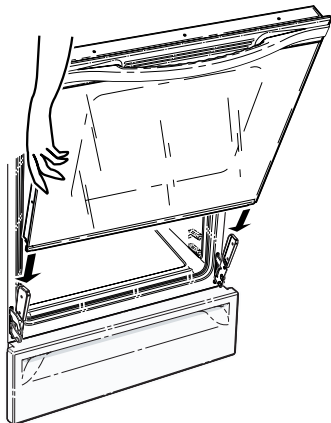
Grasp the door on both sides.

**E12**

Lift the door over the hinges lining up the hinges with the hinge slots on the bottom of the door.

**E13**

Slide the door down onto the hinges as far as it will go and close the door.



## Replacing the Storage Drawer

**E14**

Place the drawer rail on the guides.

**E15**

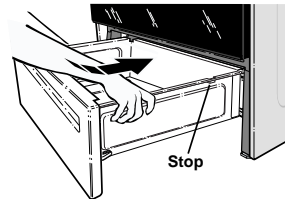
Push the drawer in until it stops.

**E16**

Lift the front of the drawer and push in until the stops clear the guides.

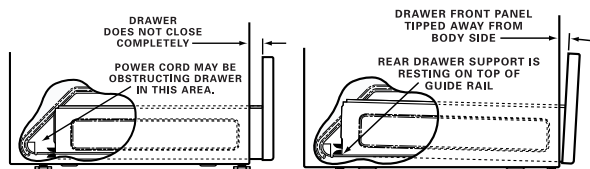
**E17**

Lower the front of the drawer and push in until it closes.



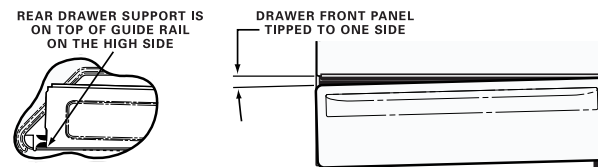
## SPECIAL INSTRUCTIONS IF YOU HAVE PROBLEMS WHILE REPLACING THE STORAGE DRAWER

### IF DRAWER WON'T CLOSE



Remove and replace, making sure the power cord is not obstructing the drawer and/or the rail is in the guide.

### IF DRAWER IS CROOKED



Remove and replace making sure the rail is in the guide.

GEA01054

## Final Check List



### Final Check List

Check to make sure the circuit breaker is closed (Reset), or the circuit fuses are replaced.

Be sure power is in service to the building.

Check to be sure that all packaging materials and tape on metal panel (if applicable) under control knobs have been removed.

## Operation Check List



### Operation Check List

Check to make sure the Clock display is energized. If a series of horizontal red lines appear in the display, disconnect power immediately. Recheck the range wiring connections. If a change is made to connection, retest again. If no change is required, have building wiring checked for proper connection and voltage. It is recommended that the clock be replaced if the red lines appear.

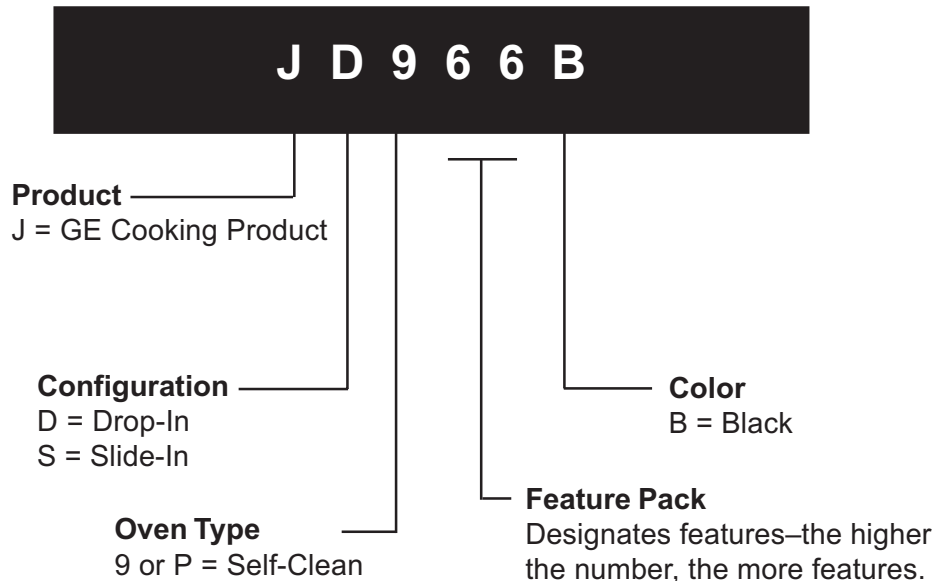
Push down and turn any one of the four surface control knobs to "MED" setting to observe that the element glows within 15 seconds. Turn the knob off when the glow is detected. If the glow is not detected within the time limit, recheck the range wiring connections. If change is required, retest again. If no change is required, have building wiring checked for proper connections and voltage.



# Specifications and Nomenclature

For specifications table, refer to *Features and Controls*, pages 27 and 28.

## Model Number



The serial plate for the Drop-In Range is located behind the door on the lower left corner of the oven. For the Slide-In Range, the serial plate is located on the oven frame above the storage door. In addition to the model and serial numbers, this plate tells the power ratings of the supply circuit for the range.

## Serial Number

The first two numbers of the serial number identify the month and year of manufacture.  
*Example:* **AA123456S** = January, 2001

<b>A</b> - JAN	2005 - H
<b>D</b> - FEB	2004 - G
<b>F</b> - MAR	2003 - F
<b>G</b> - APR	2002 - D
<b>H</b> - MAY	2001 - <b>A</b>
<b>L</b> - JUN	2000 - Z
<b>M</b> - JUL	1999 - V
<b>R</b> - AUG	1998 - T
<b>S</b> - SEP	1997 - S
<b>T</b> - OCT	1996 - R
<b>V</b> - NOV	1995 - M
<b>Z</b> - DEC	1994 - L

The letter designating the year repeats every 12 years.

*Example:*  
T - 1974  
T - 1986  
T - 1998

**Note:** The technical sheet is located under the control panel.

# Warranty Information



**Sales slip or cancelled check is required as proof of original purchase date to obtain service under warranty.**

All warranty service is provided by our Factory Service Centers or an authorized Customer Care® technician.

<b>For The Period Of:</b>	<b>GE Will Replace:</b>
<b>One Year</b> From the date of the original purchase	<b>Any part</b> of the range which fails due to a defect in materials or workmanship. During this <b>full one-year warranty</b> , GE will also provide, <b>free of charge</b> , all labor and in-home service to replace the defective part.
<b>Five Years</b> From the date of the original purchase	<b>A replacement glass cooktop</b> , if it should crack due to thermal shock, discolor, crack at the rubber seal between the glass cooktop and the porcelain edge, or if the pattern wears off.  <b>A replacement radiant surface unit</b> if it should burn out.  During this <b>limited additional four-year warranty</b> , you will be responsible for any labor or in-home service.

## What GE Will Not Cover:

- Service trips to your home to teach you how to use the product.
- Improper installation.
- Failure of the product if it is abused, misused, or used for other than the intended purpose or used commercially.
- Damage to the glass cooktop caused by use of cleaners other than the recommended cleaning creams.
- Damage to the glass cooktop caused by hardened spills of sugary materials or melted plastic that are not cleaned according to the directions in the Owner's Manual.
- Replacement of house fuses or resetting of circuit breakers.
- Damage to the product caused by accident, fire, floods, or acts of God.
- Incidental or consequential damage caused by possible defects with this appliance.

*This warranty is extended to the original purchaser and any succeeding owner for products purchased for home use within the USA. In Alaska, the warranty excludes the cost of shipping or service calls to your home.*

*Some states do not allow the exclusion or limitation of incidental or consequential damages. This warranty gives you specific legal rights, and you may also have other rights which vary from state to state. To know what your legal rights are, consult your local or state consumer affairs office or your state's Attorney General.*

**Warrantor: General Electric Company. Louisville, KY 40225**

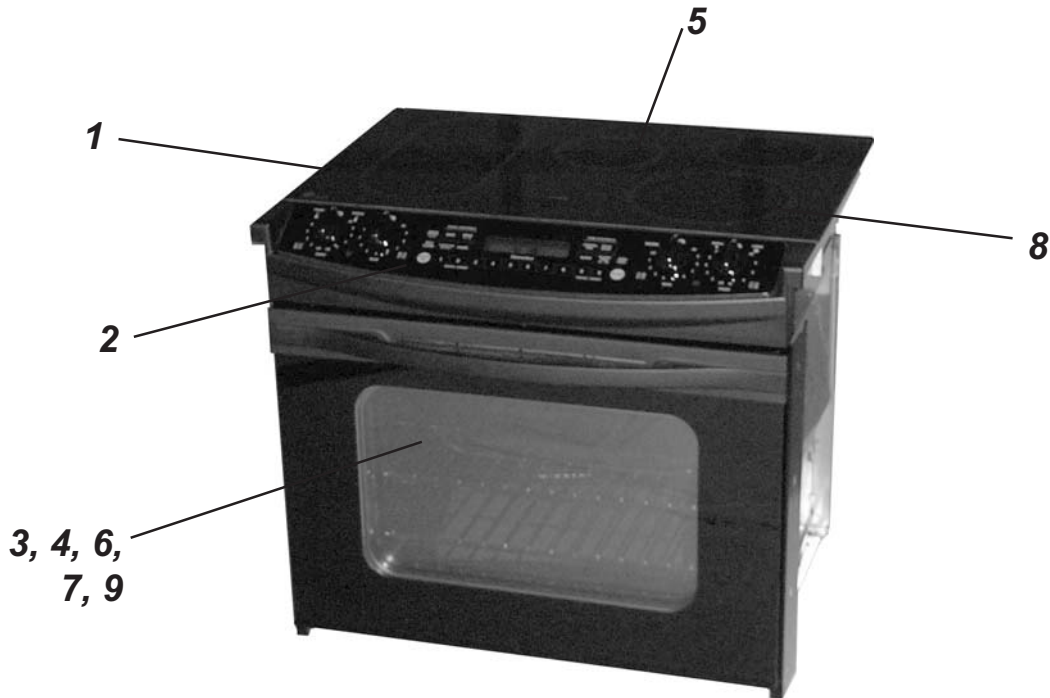


# Features and Controls

Throughout this manual, features and appearances may vary from the customer's model.

The new 30-in. Drop-in/Slide-in Range encompasses 5 models of electric ranges.

---



## Feature Index

- |  |                                |                                       |
|--|--------------------------------|---------------------------------------|
| 1. Frameless Glass Cooktop             | 4. Convection Roast*           | 7. Hallogen Interior Oven Light       |
| 2. SmartSet Electronic Touch Controls* | 5. Fifth-Element Warming Zone* | 8. Dual (6-in./9-in.) Heating Element |
| 3. Convection Bake*                    | 6. Three Heavy-Duty Racks      | 9. Meat Thermometer Probe*            |

\*Some Models

---

## Ceramic Glass Surface

These ranges feature a ceramic glass cooking surface over an electric radiant heating element. The oven touch controls on the glass control panel surface take the place of control knobs.

### Appearance Defects

Scratches, marks from cooking utensils, discoloration, stains, spots, etc. can be caused by food soils, cookware, cleaning solutions, or water marks.

Before replacing the cooktop, try using the cooktop cleaning procedure outlined in the Owner's Manual, using the cleaning cream and scraper shipped with the product.

**Note:** When servicing the cooktop, care must be taken not to scratch or damage the glass.

## Cooktop Configuration

Models JSP56, JS966, and JD966

Bridge, 2600 W

6 in., 120 W

6 in., 1500 W

9 in. Dual, 2500 W



Element Size	Volts	Wattage
6 in.	240	1500
9 in. Dual Element	240	2500
Bridge Element	240	2600
6 in.	120	120

Models JDP46 and JSP46

6 in., 1500 W

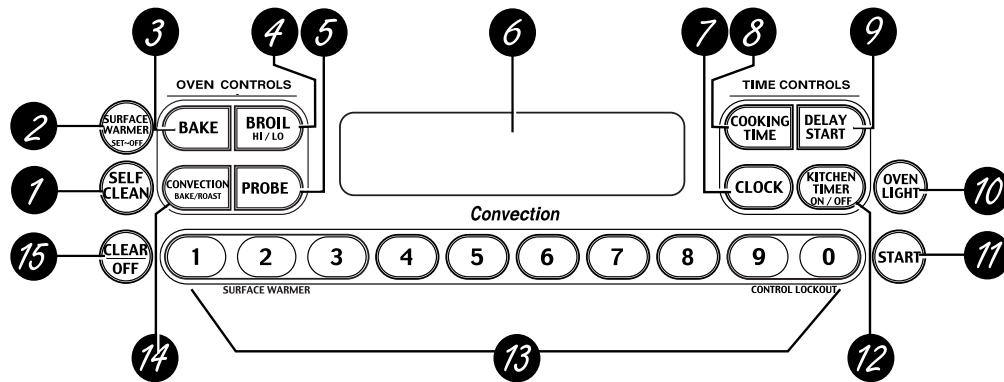
9 in. Dual, 2500 W



## Oven Control, Clock, and Timer Features and Settings

### Models JSP56, JS966, and JD966

**Note:** Throughout this manual, features and appearance may vary from your model.

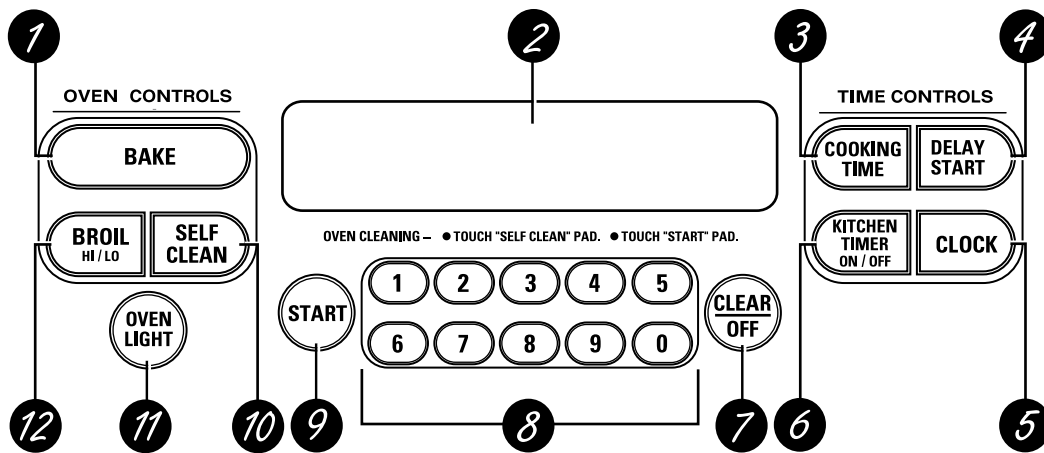


- 1** **SELF CLEAN Pad**  
Touch this pad to select the self-cleaning function. See the *Using the self-cleaning oven* section.
- 2** **SURFACE WARMER Pad (on some models)**  
Touch this pad when using the center surface unit to keep food warm until ready to serve.
- 3** **BAKE Pad**  
Touch this pad to select the bake function.
- 4** **BROIL HI/LO Pad**  
Touch this pad to select the broil function.
- 5** **PROBE Pad (on some models)**  
Touch this pad when using the probe to cook food to the desired internal temperature.  
  
The probe must first be inserted into the outlet in the oven.
- 6** **Display**  
Shows the time of day, oven temperature, whether the oven is in the bake, broil or self-cleaning mode and the times set for the timer or automatic oven operations.  
  
*If "F— and a number or letter" flash in the display and the oven control signals, this indicates a function error code.*  
  
*If your oven was set for a timed oven operation and a power outage occurred, the clock and all programmed functions must be reset.*  
  
*The time of day will flash in the display when there has been a power outage.*
- 7** **CLOCK Pad**  
Touch this pad before setting the clock.
- 8** **COOKING TIME Pad**  
Touch this pad and then touch the number pads to set the amount of time you want your food to cook. The oven will shut off when the cooking time has run out.
- 9** **DELAY START Pad**  
Use along with **COOKING TIME** or **SELF CLEAN** pads to set the oven to start and stop automatically at a time you set.
- 10** **OVEN LIGHT Pad**  
Touch this pad to turn the oven light on or off.
- 11** **START Pad**  
Must be touched to start any cooking or cleaning function.
- 12** **KITCHEN TIMER ON/OFF Pad**  
Touch this pad to select the timer feature.
- 13** **Number Pads**  
Use to set any function requiring numbers such as the time of day on the clock, the timer, the oven temperature, the surface warmer settings, the internal food temperature, the start time and length of operation for timed baking and self-cleaning.
- 14** **CONVECTION BAKE/ROAST Pad**  
Touch this pad to select baking or roasting with the convection function.
- 15** **CLEAR/OFF Pad**  
Touch this pad to cancel **ALL** oven operations except the clock and timer.

## Oven Control, Clock, and Timer Features and Settings

### Models JDP46 and JSP46

**Note:** Throughout this manual, features and appearance may vary from your model.



- 1** **BAKE Pad**  
Press this pad to select the bake function.
- 2** **Display**  
Shows the time of day, oven temperature, whether the oven is in the bake, broil or self-cleaning mode and the times set for the timer or automatic oven operations.

*If "F" and a number or letter flash in the display and the oven control signals, this indicates a function error code.*

*If your oven was set for a timed oven operation and a power outage occurred, the clock and all programmed functions must be reset.*

*The time of day will flash in the display when there has been a power outage.*

- 3** **COOKING TIME Pad**  
Press this pad and then press the number pads to set the amount of time you want your food to cook. The oven will shut off when the cooking time has run out.
- 4** **DELAY START Pad**  
Use along with **COOKING TIME** or **SELF CLEAN** pads to set the oven to start and stop automatically at a time you set.
- 5** **CLOCK Pad**  
Press this pad before setting the clock.
- 6** **KITCHEN TIMER ON/OFF Pad**  
Press this pad to select the timer feature.
- 7** **CLEAR/OFF Pad**  
Press this pad to cancel **ALL** oven operations except the clock and timer.
- 8** **Number Pads**  
Use to set any function requiring numbers such as the time of day on the clock, the timer, the oven temperature, the start time and length of operation for timed baking and self-cleaning.
- 9** **START Pad**  
Must be pressed to start any cooking or cleaning function.
- 10** **SELF CLEAN Pad**  
Press this pad to select the self-cleaning function. See the *Using the self-cleaning oven* section.
- 11** **OVEN LIGHT Pad**  
Press this pad to turn the oven light on or off.
- 12** **BROIL HI/LO Pad**  
Press this pad to select the broil function.

# 30-in. Drop-In Electric Ranges

	GE Profile Performance™	GE Profile™	GE		
	JD966SD				
	JD966TD				
	JD966WD	JDP46WD			
	JD966CD	JDP46CD	JDP39WW		
	JD966BD	JDP46BD	JDP39BW	JDP36BW	JDS26BW
<b>Features</b>					
Self-clean oven w/Delay Clean option	●	●	●	●	Standard Clean
Variable cleaning time	●	●	●	●	
Automatic self-clean oven door lock	●	●	●	●	
Oven shelves	3 Heavy-Duty	2	2	2	2
	Patterned Black				
	Patterned White				
	Patterned White	Patterned White			
	Patterned Bisque	Patterned Bisque			
	Patterned Black	Patterned Black			
Glass ceramic cooktop			White Porc.-Enam. Black Porc.-Enam.	White or Almond Porc.-Enam.	White or Almond Porc.-Enam.
Lift-up overhanging cooktop					
Dual 6 7/8" heating element	1 Ribbon (2500W)	1 Ribbon (2500W)			
8" heating elements		2 Ribbon (2000W)	2 Plug-in	2 Plug-in	2 Plug-in
7" heating elements	2 Ribbon (1800W)		2 Plug-in	2 Plug-in	2 Plug-in
Bridge element	1 Ribbon (800W)				
Total wattage	4400W				
6" heating elements	1 Ribbon (1500W)	1 Ribbon (1500W)	2 Plug-in	2 Plug-in	2 Plug-in
Warming zone	1 Ribbon (120W)				
Infinite heat controls	●	●	●	●	●
Convection bake	●				
Convection roast	●				
			Chrome	Chrome	Chrome
Removable one-piece drip bowls			Black Porc.-Enam.		
SmartSet Controls	●	●	●	●	●
Temperature display	●	●	●	●	●
Start pad	●	●	●	●	●
Delay Bake option w/Cook & Hold	●	●	●	●	●
C° or F° programmable	●	●	●	●	●
Audible preheat signal	●	●	●	●	●
Auto oven shut-off w/override	●	●	●	●	●
Control lock capability	●	●	●	●	●
Electronic clock and kitchen timer	●	●	●	●	●
Automatic meat thermometer	●				
Hot surface indicator lights	4 + Warmer	4			
Heating element "ON" indicator light	●	●	●	●	●
Interior oven light	Halogen	●			
Broiler pan with grid	●	●	●	●	●
Roasting rack	●				
<b>Appearance</b>					
	SS				
	WW				
	WW	WW			
	CC	CC	WW		
	BB	BB	BB	WH/AD	WH/AD
Color appearance*	Stainless				
	White				
	White	White			
	Bisque	Bisque	White		
	Black	Black	Black	Black	Black
Frameless glass oven door					
Oven door with window	Big View	Big View	●	●	●
Lift-off oven door	●	●	●	●	●
Designer-style handle	Integrated	Integrated	●	●	●
<b>Weights &amp; Dimensions</b>					
Overall oven interior (WxHxD in inches)	24 x 17-3/8 x 15-3/4	24 x 17-3/8 x 17-7/8	← 22-3/4 x 15-3/4 x 17 →		
Approx. shipping weight (lbs.)	170	170	144	144	128
<b>Power/Ratings</b>					
Convection Wattage	2500				
Broiler/Bake Wattage	3600/3400				
12KW rating @ 240V	12.1	11.2	11.6	11.6	11.6
208V	9.1	8.4	8.7	8.7	8.7
Amps @ 240V	50	50	40	40	40
208V	40	40	40	40	40

\*SS = Stainless Steel, WW = White on white, CC = Bisque, BB = Black on black, WH = White, AD = Almond.

### Optional Kits For JD966/JDP46 Electric Ranges (Availability At Additional Cost)

#### Maintop Filler

(Fills gap between cooktop and wall when unit is installed in 30" free-standing cutout)

JXS66WW—White

JXS66CC—Bisque

JXS66BB—Black

#### Accessory Backguards

(Attaches to the back of range as a backguard when unit is installed in 30" free-standing cutout)

JXS39SS—Stainless

JXS36WW—White

JXS36CC—Bisque

JXS36BB—Black

#### Lower Trim Kits

(When a drop-in is installed in an existing cutout greater than 26.75 inches from the counter to the cabinet cross-rail, a lower trim kit should be used to fill the gap at the bottom of the range.)

JXS96WW—White

JXS96CC—Bisque

JXS96BB—Black

**Installation Information:** Before installing, consult installation instructions (Pub. No. 31-10427) packed with product for current dimensional data.

**Note:** Cabinets installed adjacent to drop-in electric ranges must have an adhesion spec of at least 194°F temperature rating.

**Note:** All 30" Drop-In Radiant Ranges conform to U.L. requirements for 0" spacing from range to adjacent walls below countertop. To reduce possibility of scorching the side walls above the countertop when no load is present on burners, it is recommended that a minimum 6" spacing from adjacent side wall be allowed for possible extended high-heat element operation.

**IMPORTANT:** 30" DROP-IN RANGES ARE DESIGNED TO HANG FROM THE COUNTERTOP. IT DOES NOT REST ON THE FLOOR. FOR INSTALLATION ALTERNATIVES, REFER TO INSTALLATION INSTRUCTIONS PACKED WITH PRODUCT.



All GE ranges are equipped with an Anti-Tip device. The installation of this device is an important, required step in the installation of the range.

# 30-in. Slide-In Electric Ranges

Features	GE Profile Performance™	GE Profile™		GE		
	JS966SD JS966TD JS966WD JS966CD JS966BD	JSP56WD JSP56CD JSP56BD	JSP46WD JSP46CD JSP46BD	JSP34WW JSP34AW JSP34BW	JSP26BW	JSS26BW JSS16PW
Self-clean oven with Delay Clean option	●	●	●	●	●	Standard Clean
Variable cleaning time	●	●	●	●	●	
Automatic self-clean oven door lock	●	●	●	●	●	
Oven shelves	3 Heavy-Duty	3	2	2	2	2
Glass-ceramic cooktop	Patterned Black Patterned True White Patterned White Patterned Bisque Patterned Black	Patterned White Patterned Bisque Patterned Black	Patterned White Patterned Bisque Patterned Black			
Lift-up porcelain-enameled cooktop				White Almond Black	CM* Porc.-Enam.	Black Porc.-Enam. CM* Porc.-Enam.
Overhanging cooktop	●	●	●	●	●	●
Removable one-piece drip bowls				Chrome Porc.-Enam. Porc.-Enam.	Porc.-Enam.	Chrome
Dual 6 7/8" heating element	1 Ribbon (2500W)	1 Ribbon (2500W)	1 Ribbon (2500W)			
8" heating elements			2 Ribbon (2000W)	2 Plug-In	2 Plug-In	2 Plug-In
7" heating elements	2 Ribbon (1800W)	2 Ribbon (2000W)				
Bridge element	1 Ribbon (800W)	1 (800W)				
Total Wattage	4400W	4400W				
6" heating elements	1 Ribbon (1500W)	1 Ribbon (1500W)	1 Ribbon (1500W)	2 Plug-In	2 Plug-In	2 Plug-In
Warming zone	1 Ribbon (120W)					
Infinite heat controls	●	●	●	●	●	●
Convection Bake	●	●				
Convection Roast	●	●				
SmartSet Controls	●	●	●	●	●	
Temperature display	●	●	●	●	●	
Start pad	●	●	●	●	●	
Delay Bake option w/Cook & Hold	●	●	●	●	●	
C° or F° programmable	●	●	●	●	●	
Audible preheat signal	●	●	●	●	●	
Auto oven shut-off w/override	●	●	●	●	●	
Control lock capability	●	●	●	●	●	
Electronic clock/kitchen timer	●	●	●	●	●	●
Hot surface indicator lights	4 + Warmer	4	4			
Automatic meat thermometer	●					
Heating element "ON" indicator light				●	●	●
Interior oven light		●	●	●	●	●
Storage drawer	Halogen Stainless White White Bisque Black	White Bisque Black	White Bisque Black	White Almond Black	CM*	Black CM*
Broiler pan with grid	●	●	●	●	●	●
Roasting rack	●	●				
<b>Appearance</b>						
Color appearance*	SS WW WW CC BB	WW CC BB	WW CC BB	WW AA BB	WH/AD	BB WH/AD
Frameless glass oven door	Stainless White White Bisque Black	White Bisque Black	White Bisque Black	White Almond Black	CM*	Black Painted
Oven door with window	●	●	●	●	●	●
Lift-off oven door	Big View	Big View	Big View	●	●	●
Designer-style handle	Integrated	Integrated	Integrated	●	●	Visor
<b>Weights &amp; Dimensions</b>						
Overall oven interior dimensions (WxHxD in inches)	← 24 x 17-3/8 x 15-3/4 →		24 x 17-3/8 x 17-7/8		← 22-3/4 x 15-3/4 x 17 →	
Approx. shipping weight (lbs.)	200	200	200	175	175	160
<b>Power/Ratings</b>						
KW rating @ 240V	12.1	12.0	11.2	10.8	10.8	11.6
208V	9.1	9.0	8.4	8.1	8.1	8.7
Amps @ 240V	50	50	50	40	40	40
208V	40	40	40	40	40	40
Convection Wattage	2500	2500				
Broiler/Bake Wattage	3600/3400	3600/3400	3600/3400			

\*SS= Stainless steel, WW = White on white, CC = Bisque, AA = Almond on almond, BB = Black on black, WH = White, AD = Almond, CM = Color-Matched indicates color of the oven door matches range cooktop and drawer face (either white or almond).

**Note:** Cabinets installed adjacent to slide-in electric ranges must have an adhesion spec of at least 194°F temperature rating.

**Note:** All 30" Slide-In Ranges conform to U.L. requirements for 0" spacing from range to adjacent walls below countertop. To reduce possibility of scorching the side walls above the countertop when no load is present on burners, it is recommended that a minimum 6" spacing from adjacent side wall be allowed for possible extended high-heat element operation.

**Receptacle Locations:** For all 30" Slide-In Ranges locally approved flexible service cord or conduit must be used because terminals are not accessible after range installation. See shaded area in drawing for location of electrical outlet box. Recommended outlet locations allow range to be installed directly against rear wall.

**Note:** Range may be placed with 0" clearance (flush) at the back wall and side walls if the range side trims extend beyond the cabinet fronts at least 1/4". (Self-clean models only)

**Installation Information:** Before installing, consult installation instructions packed with product for current dimensional data.



All GE ranges are equipped with an Anti-Tip device. The installation of this device is an important, required step in the installation of the range.

# Mechanical Disassembly

## Table of Contents

Door Removal .....	30
Convection Element and Fan Guard Removal .....	30
Bake Element Removal .....	30
Broil Element Removal .....	31
Oven Temperature Sensor Removal .....	31
Range Removal .....	31
Convection Fan Motor Removal .....	32
Control Panel Removal .....	32
Light and Receptacle Removal .....	34
Meat Probe Outlet Removal .....	34
Thermal Circuit Breaker Removal .....	34
Door Latching Motor Assembly Removal .....	34
Burner Box Removal .....	34
Burner Removal .....	35
HOT SURFACE Light Removal .....	35
Cooling Fan Removal .....	35
Oven Vent Removal .....	36

**WARNING:** Before servicing the range, power must be removed from the range by turning the power off at the circuit breaker.

## Door Removal

**WARNING:** Make sure the oven is completely cool.

1. Open the door approximately 6 in. until the door stops at the broil stop position.

**Caution:** Do not lift the door by the handle. Lifting the door by the handle may cause the door glass to break.

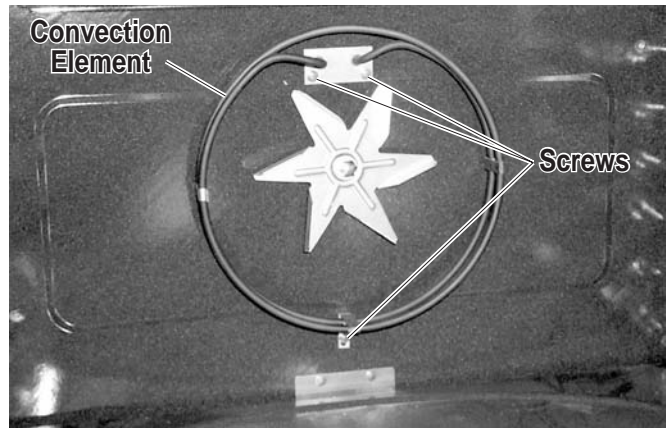
2. Grasp the door firmly on both sides and, with a steady even motion, lift the door up and off the hinges.

## Convection Element and Fan Guard Removal

1. Remove the 4 screws that secure the convection fan guard to the rear wall of the oven and remove the fan guard.



GEA01072

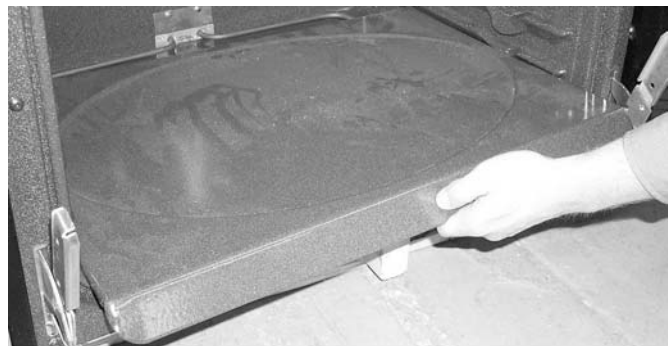


GEA01073

2. Remove 1 screw from the mounting bracket on the bottom of the convection element and 2 screws that secure the convection element to the rear wall of the oven.
3. Carefully pull the convection element forward to access the wiring harness connectors, remove the connectors from the element terminals, and remove the element.

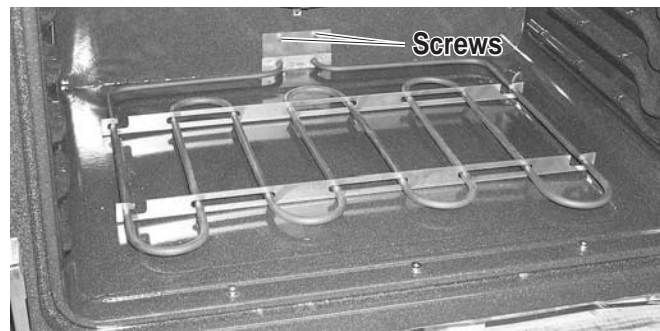
## Bake Element Removal

1. Remove the oven door (see procedure).
2. Remove the convection fan guard (see procedure).



GEA01074

3. Remove the bake element cover by sliding it forward until it can be removed from the oven.



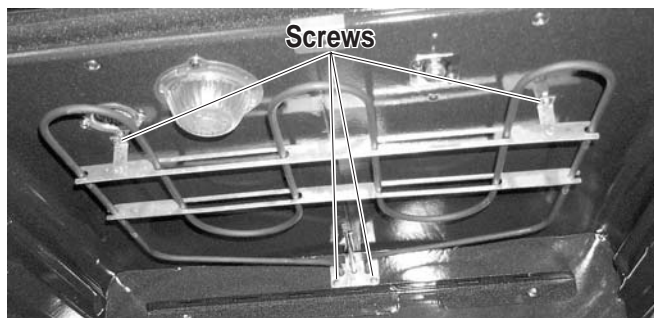
GEA01075



- Remove the 2 screws that secure the bake element to the rear wall of the oven.
- Carefully lift the front of the bake element up and pull forward to access the wiring harness connectors, remove the connectors from the element terminals and remove the element.

### Broil Element Removal

- Remove the 3 screws that secure the oven temperature sensor and broil element to the rear wall of the oven.

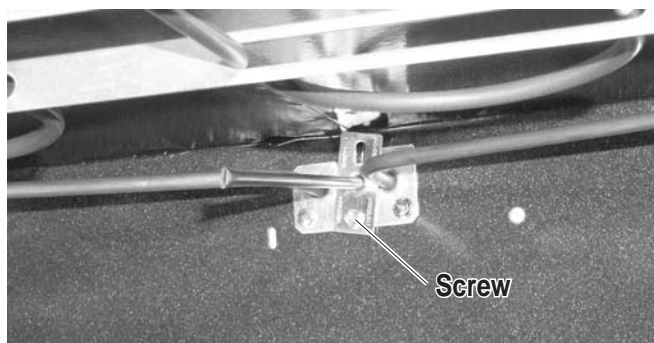


GEA01076

- Remove the 2 screws that secure the broil element mounting bracket to the top of the oven.
- Carefully pull the broil element forward to access the wiring harness connectors, remove the connectors from the element terminals, and remove the element.

### Oven Temperature Sensor Removal

- Remove the screw that secures the sensor to the rear wall of the oven.



GEA01107

- Pull the sensor out to access the wiring harness connection, disconnect and remove the sensor.

### Range Removal

**Note:** Range removal is **only** necessary for access to the convection fan motor.

Slide-in models JSP46, JSP56, JS966

- Remove the oven door (see procedure).
- Remove the storage drawer.
- Unplug the range through the storage drawer opening.

**Caution:** Take the necessary precautions to protect the floor from damage that could be caused by moving the range.

- Carefully pull the range out until the rear leveling leg has cleared the Anti-tip Bracket.
- Using a 1-7/16 in. wrench, screw the back leveling legs out to raise the rear of the range above the counter.
- Using a 1-7/16 in. wrench, screw the front leveling legs out to raise the front of the range above the counter.
- Carefully pull the range out while lifting up until the back of the range is accessible.

Drop-in models JDP46, JD966

**WARNING:** Remove house fuse or open circuit breaker before servicing.

**Note:** Range removal is **only** necessary for access to the convection fan motor.

- Remove oven door (see procedure).
- Remove 2 screws and the lower trim from the side trim.

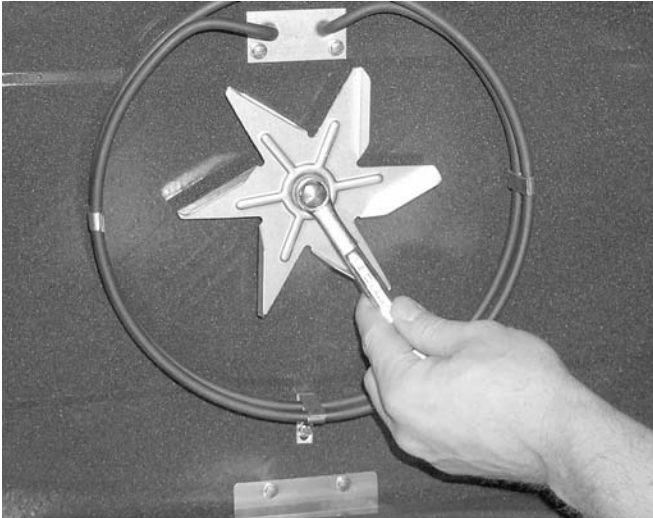
**Caution:** Take the necessary precautions to protect the floor from damage that could be caused by moving the range.

**Note:** It is suggested that two people lift the range from the cabinet.

- Lift up and pull the range forward.
- Remove the range from the cabinet and place it in front of the cabinet opening.

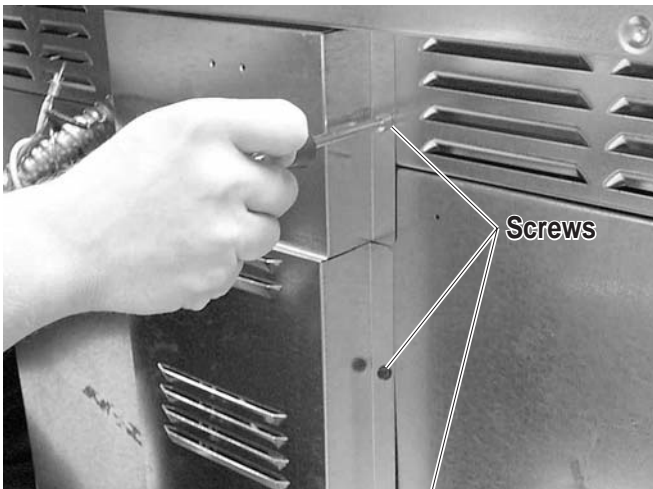
## Convection Fan Motor Removal

1. Remove the range from its installation (see **Range Removal** procedure).
2. Remove 4 screws that secure the convection fan guard to the rear wall of the oven and remove the guard (see **Convection Element and Fan Guard Removal** procedure).



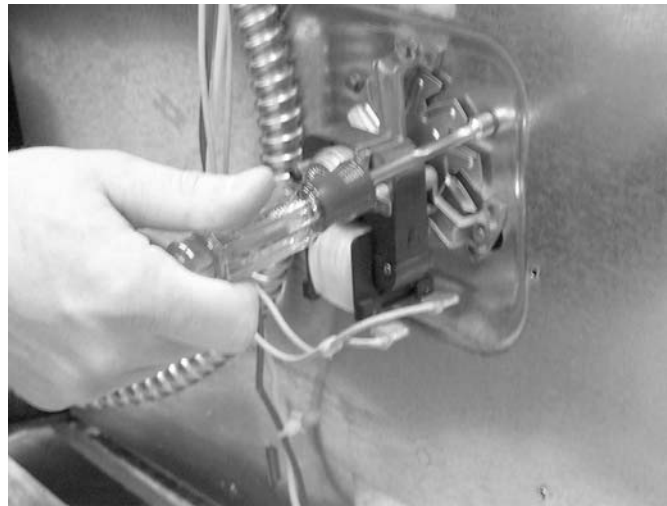
GEA01077

3. Remove one 1/2-in. nut from the convection fan blade by holding the blade securely and turning the nut clockwise.
4. Remove the fan blade and washer from the fan motor shaft.



GEA01078

5. Remove the 6 screws that secure the service cover to the rear of the range and remove the cover.
6. Remove the wiring harness connectors from the motor terminals.



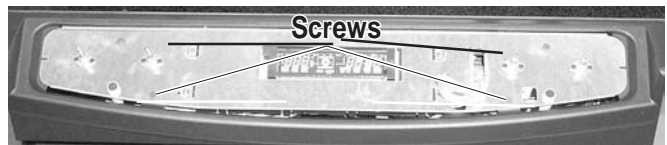
GEA01079

7. Remove the 3 mounting screws and the motor.

## Control Panel Removal

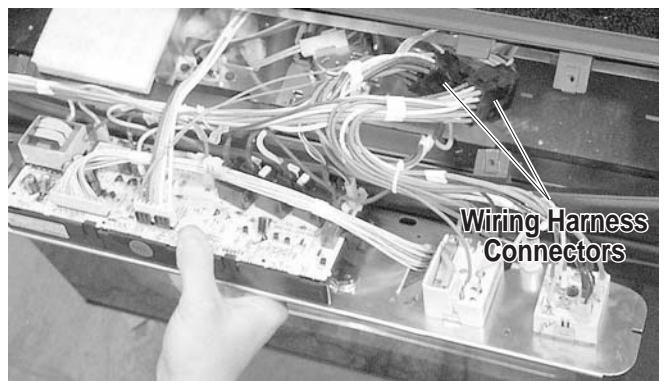
Models JDP46, JSP46, JSP56

1. Remove the 4 knobs and the retainer nuts under the knobs.
2. Remove the panel faceplate.
3. Remove the 4 screws from the control panel.



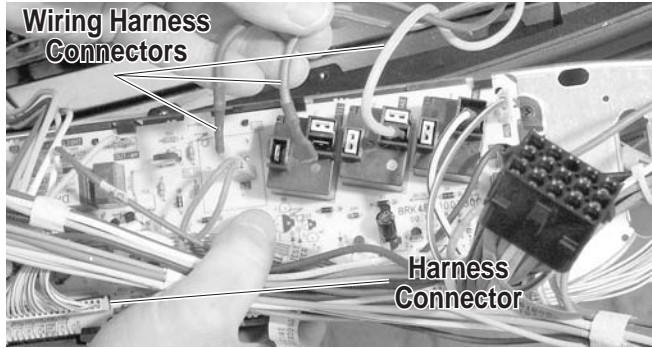
GEA01100

**Note:** The control panel can now be tilted down into service position allowing access to the electrical components.



GEA01080

4. Disconnect the wiring harnesses at the main connectors.

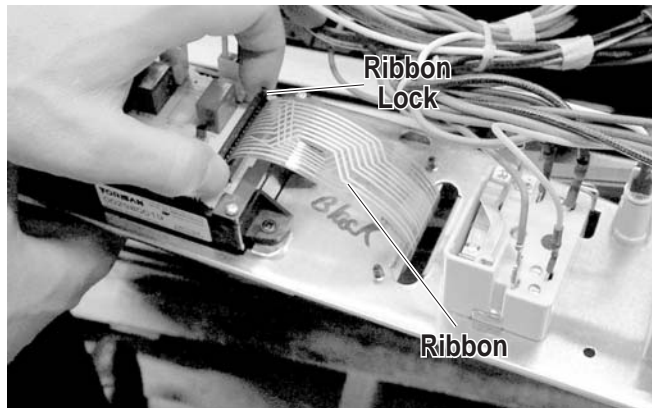


GEA01081



GEA01083

5. Note the placement of the remaining wires and harness connectors on the circuit board, disconnect and remove the control panel.
6. To remove the touch pad, disconnect the ribbon from the circuit board by squeezing the locking tabs on the sides of the ribbon connection and pulling the ribbon lock up.



GEA01082

**Caution:** Lift the panel faceplate enough to access the wire harness connected to the touch board.

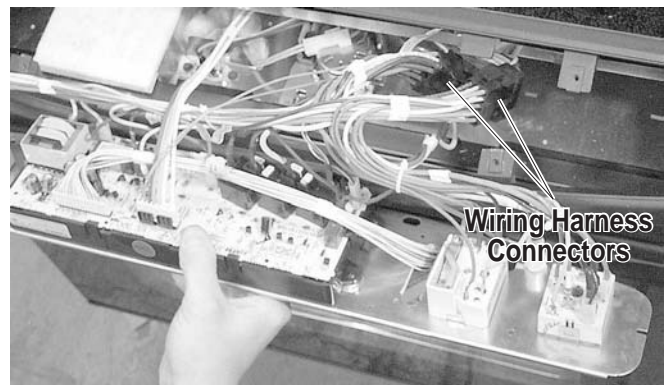
2. Remove the harness connector from the touch board by pulling on the connector (do not pull on the wiring). Remove the faceplate and place face down on a protected surface.
3. Remove the 4 screws that secure the control panel.

**Note:** The control panel can now be tilted down into service position allowing access to the electrical components.

7. Remove the 4 screws that secure the touch pad and remove the pad.

Models JS966, JD966

1. Remove the four (4) knobs and the retainer nuts under the knobs.



GEA01084

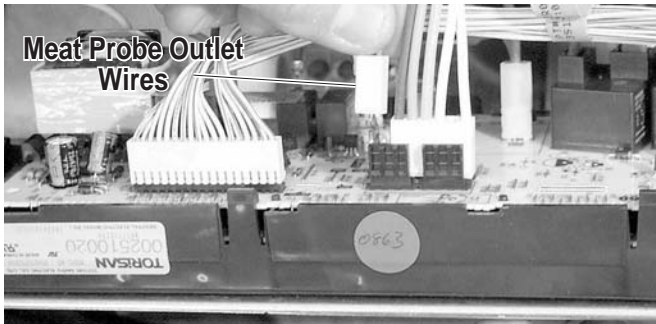
4. Disconnect the wiring harnesses at the main connectors.
5. Note the placement of the remaining wires and harness connectors on the circuit board, disconnect and remove the control panel.

## Light and Receptacle Removal

1. Grasp the oven light lens and turn counterclockwise about 1/4 turn to release it from the oven light assembly.
2. If the light is incandescent, unscrew and remove the light bulb. If it is a halogen light, pull straight out to remove the bulb.
3. Remove the 2 screws that secure the light socket to the top of the oven.
4. Lower the socket to access the wiring connectors, disconnect the connectors from the socket terminals, and remove the socket.

## Meat Probe Outlet Removal

1. Place the control panel in the service position (see **Control Panel Removal** procedure).



2. Disconnect the meat probe outlet wires from the circuit board.



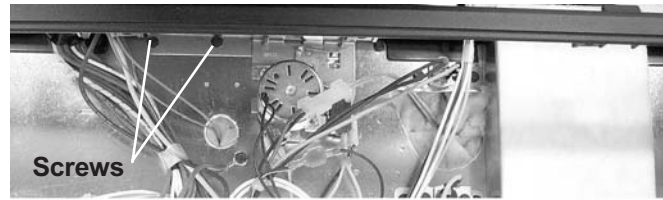
3. Remove the 2 screws that secure the probe outlet to the top of the oven.
4. Lower the outlet, pull the wiring through the access hole, and remove.

## Thermal Circuit Breaker Removal

1. Place the control panel in the service position (see **Control Panel Removal** procedure).
2. Disconnect the wiring harness connectors from the terminals of the thermal circuit breaker.
3. Remove the 2 screws that secure the thermal circuit breaker and remove the breaker.

## Door Latching Motor Assembly Removal

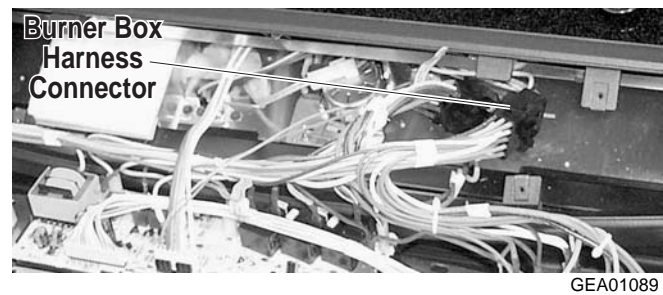
1. Place the control panel in the service position (see **Control Panel Removal** procedure).



2. Remove the 2 screws that secure the motor assembly.
3. Pull the motor assembly out to access the wiring harness connectors. Note the placement of the wiring, disconnect the wiring from the door latching motor assembly and remove.

## Burner Box Removal

1. Place the control panel in the service position (see **Control Panel Removal** procedure).



2. Disconnect the burner box wiring harness.



3. Remove the 5 screws from the top inside edge of the control panel frame.
4. Open the door and remove the 6 screws under the control panel.
5. Remove the 2 screws at the front corners of the burner box.
6. Slide the burner box forward. Remove the burner box and set it top side down on a protected surface.

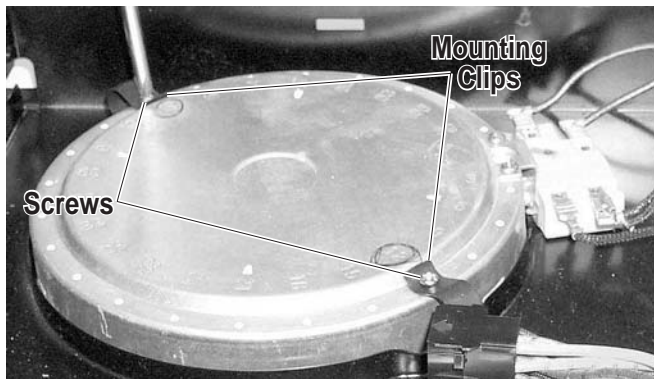
### Burner Removal

1. Remove Burner Box (see procedure).
2. Remove the 3 screws and the bottom pan from the burner box.



GEA01093

3. Note the position of the wiring and disconnect from the burner terminals.

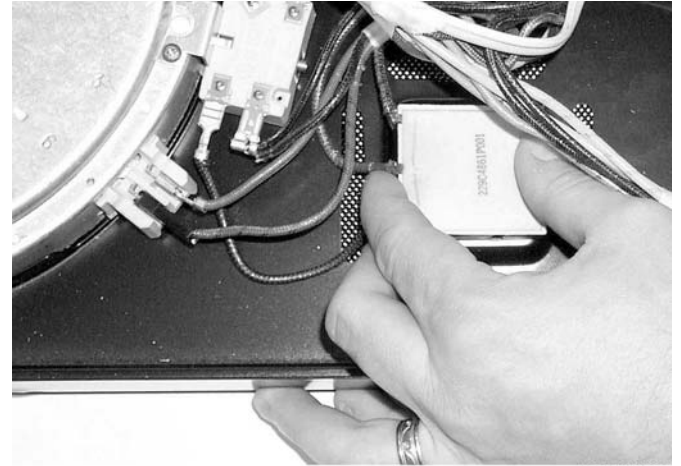


GEA01094

4. Mark the numbers nearest the mounting clips for reassembly of the new heating element and remove the screws and clips securing the burner. Remove the burner.

### HOT SURFACE Light Removal

1. Lift up on the 3-wire side of the HOT SURFACE light unit.

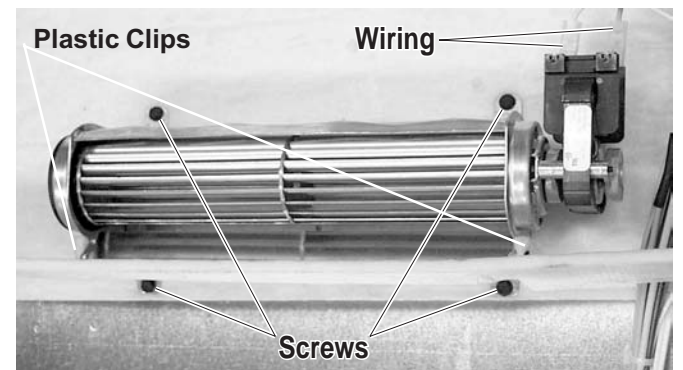


GEA01095

2. Slide the unit toward the 3-wire side and remove.

### Cooling Fan Removal

1. Remove the burner box (see procedure).

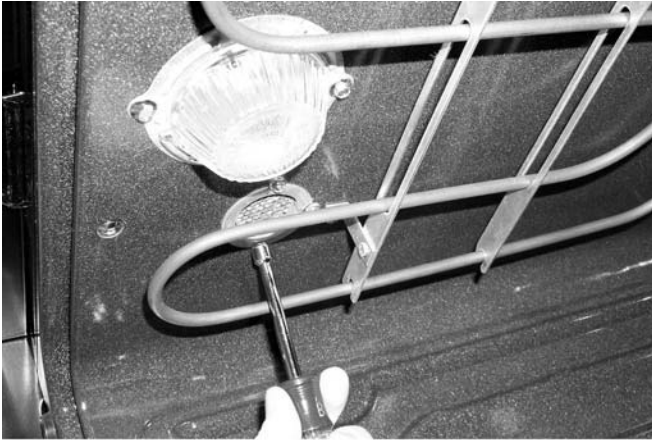


GEA01096

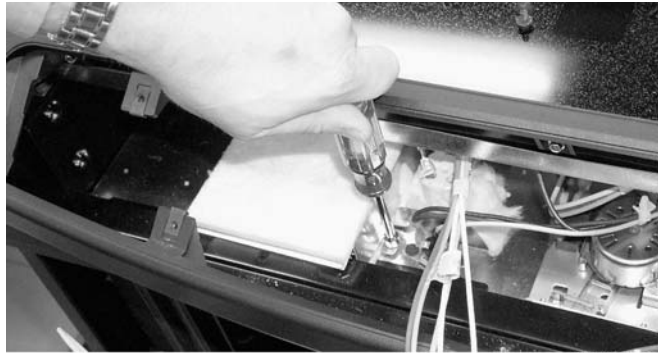
2. Disconnect the wiring from the fan motor.
3. Use pliers to remove the plastic insulation fasteners from the sides of the fan housing.
4. Remove the 4 mounting screws and the fan.

## Oven Vent Removal

1. Remove the 2 screws that secure the vent tube to the top of the oven. Remove the tube.
2. Remove the control panel (see procedure).
3. Remove 1 screw from the vent cover and pull the vent cover tabs out of the slots in the cabinet. Remove the vent cover.



GEA01098



GEA01099

# Diagnostics

## Table of Contents

Failure Codes .....	38
Key Panel Test .....	39
Oven Light Test .....	39
Control Voltages .....	39
Door Lock Thermostat .....	40
Fan Thermostat .....	40
Convection Fan .....	40
Motorized Door Lock .....	40

## Failure Codes

The oven may stop operating but not give an F code on the display immediately. F codes are stored in memory until the same fault occurs two consecutive times. After that, the F code will be displayed.

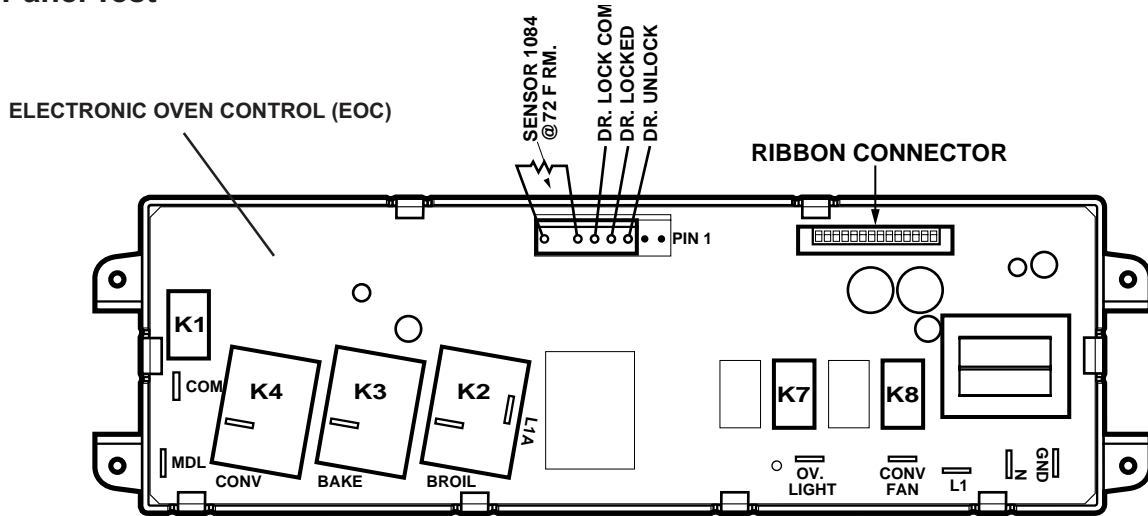
F codes can be recalled by pressing together: TIMER, CLOCK, and 9 (or MIN DOWN).

While displayed, pressing 8 and 6 (or MIN UP and HR DOWN) together will clear them. A fault must exist continuously for 5 minutes before an F code is recorded (F2, F8 are sooner).

Failure Code	Meaning	Correction
-F0-	Shorted OFF key	Determine if problem is with key panel or electronic oven control (EOC) by disconnecting ribbon cable and measuring flat cable pins 13 to 14. Should be open. Should be 100-150 ohms while pressing OFF key.
-F2-	Over temperature 1. Inside oven cavity as measured by sensor over 650°F unlatched or 915°F latched, or 2. Cooling fan stalled, or 3. Open door lock thermostat (yellow leads) only when temperature above 600°F.	<ul style="list-style-type: none"> <li>● Welded relay contacts - replace relay.</li> <li>● Cooling fan stalled or blocked - clear or replace.</li> <li>● Airflow to rear of unit.</li> <li>● High resistance in oven sensor leads/connectors.</li> </ul>
-F3-	Open oven sensor	<ul style="list-style-type: none"> <li>● Disconnect power. Disconnect sensor harness from EOC. Measure sensor resistance (white leads) to be 1100 ohms at room temperature with 2 ohms per degree change.</li> <li>● Look for damaged harness terminals if not a bad sensor.</li> </ul>
-F4-	Shorted oven sensor	<ul style="list-style-type: none"> <li>● Disconnect power. Disconnect sensor harness from EOC. Measure sensor resistance (white leads) to be 1100 ohms at room temperature with 2 ohms per degree change.</li> <li>● Separate sensor from harness terminals if not a bad sensor.</li> </ul>
-F7-	Shorted START key	Determine if problem is with key panel or EOC.
-F8-	EEPROM data shift failure	If repeated, replace EOC.
-F9-	Cooling fan stalls while oven above 650°F - open door lock thermostat in yellow leads	Cooling fan or air flow to EOC area.
-FF-	Loss of latch motor safety circuit	Replace EOC.



## Key Panel Test



The electronic range control system consists of the electronic oven control (EOC), key panel, oven sensor, and door lock assembly. The key panel (control panel) and EOC are separate components but must be tested together.

Depress each pad on the key panel in sequence. If the key panel is functioning properly, the following should occur:

- **Bake, Broil, Convection Bake, Convection Roast, Clean, Timer, Clock, Stop Time, and Cook Time Modes** - Audible tone and display showing the mode of operation selected.
- **Clear/Off** - Audible tone and display shows time of day.
- **Probe** - Audible tone and response if meat probe is plugged in.
- **Numerical Pads** - Audible tone. Can **only** be used after another function has been selected.
- **Check for 12 VDC** on EOC connector P102, pins 15-18.
- **Pins 2, 3, and ground on 15** should have 0 volts with no keys touched. Pin 1 has 0.8 V. All other pins have strobing voltages and show unstable, nonzero voltage when measured with a voltmeter.

## Oven Light Test

If the oven light is not working, make the following checks:

- Check oven light bulb.

- Light is to come on when door is opened. Check the voltage across the light socket terminals. It should read 120 VAC. If it reads 0 volts, check the jamb switch and wiring.
- Light is to come on when control light pad is pressed. The K7 relay should click. Check the voltage at the EOC from OV. LIGHT to L1. It should read 120 VAC.

## Control Voltages

Terminals	Voltage
L1-N	120 VAC all the time.
COM to N	120 VAC all the time.
L1-BA L1-BR L1-CONV	240 VAC when oven is <b>not</b> calling for heat (Bake, Conv., & Broil relay contacts open).
Light-L1	120 VAC when light is ON.
COM to MDL	120 VAC <b>not</b> locking or unlocking, door closed.
L1 to CF	120 VAC when oven door is closed and Conv. Bake, Conv. Roast <b>not</b> operating.

Circuit	Terminals	Ohms
Oven Sensor	6 to 8	1100 @ Rm Temp. 2650 @ 865°F
Door Unlatched	1 to 3 2 to 3	0 Ohms Open
Door Latched	1 to 3 2 to 3	Open 0 Ohms

## Door Lock Thermostat

The door lock thermostat is located above the oven cavity in front of the fan motor. The thermostat is wired in series with the lock motor switches.

**Note:** The limit switch opens at 240°F and closes when temperatures cool below 190°F.

If the door lock thermostat opens when the oven temperature is:

- **Below 600°F.** The program is cancelled when the door lock thermostat opens. Lock motor will run and the words LOCKED DOOR will be flashing in the display.
- **Above 600°F.** Any mode of operation control will go to -F2- failure code. When this condition exists, check the fan operation (look for obstructions), inspect oven installation (make sure grille areas are not blocked), oven insulation, and lock circuit.

## Fan Thermostat

The fan thermostat is located above the oven cavity in front of the fan motor. The thermostat will turn the fan on in any mode of operation when it detects a temperature above 138°F. The fan will turn off once the temperature has cooled below 106°F.

## Convection Fan

If convection fan is not working, make the following checks:

1. Check the voltage from terminal CF to N on the control. It should read 120 V in Conv. Bake or

Roast mode. If not, replace the control.

2. If voltage is OK, check the convection fan motor. It reads approximately 15 to 20  $\Omega$  at room temperature. Check to make sure the fan shaft is not rubbing on the oven liner.

## Motorized Door Lock

The motorized door lock assembly is located above the oven. The assembly consists of a lock motor cam and switch assembly, lock hook, and mounting plate.

The lock motor is energized when the control is set for Clean and Clean Time is selected. The K1 relay contacts will close and complete the circuit that supplies the voltage to the lock motor.

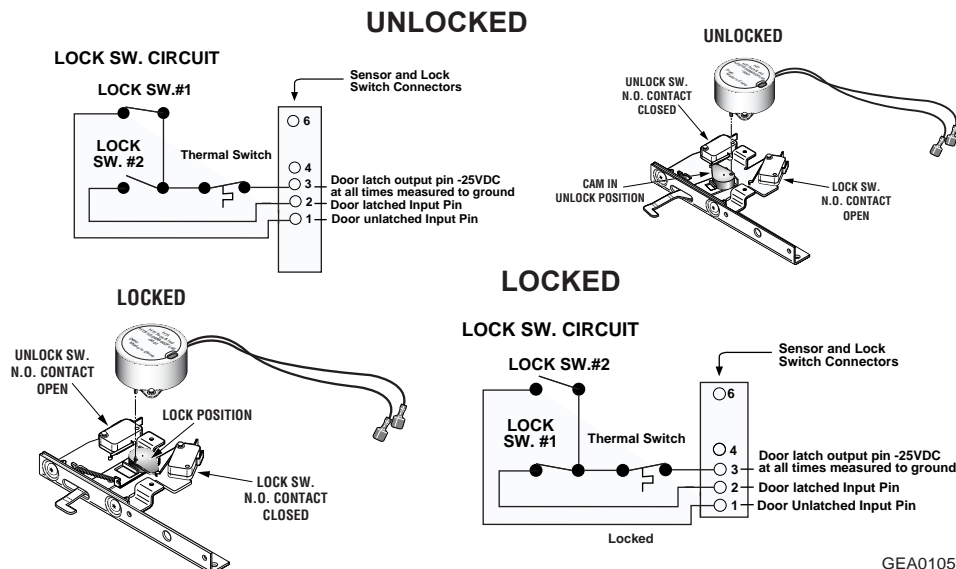
**Note:** The display of the control will flash LOCK DOOR if the door switch is in the C to NC position (door open).

The words LOCK DOOR will flash in the display while the lock motor is in motion. When the door is locked, the words LOCK DOOR remain illuminated in the display.

**CAM** - The cam on the motor performs two functions:

1. Positions the lock hook in the door to prevent opening during clean operation.
2. Operates the 2 lock switches which tell the control if the door is unlocked or locked and ready for clean operation.

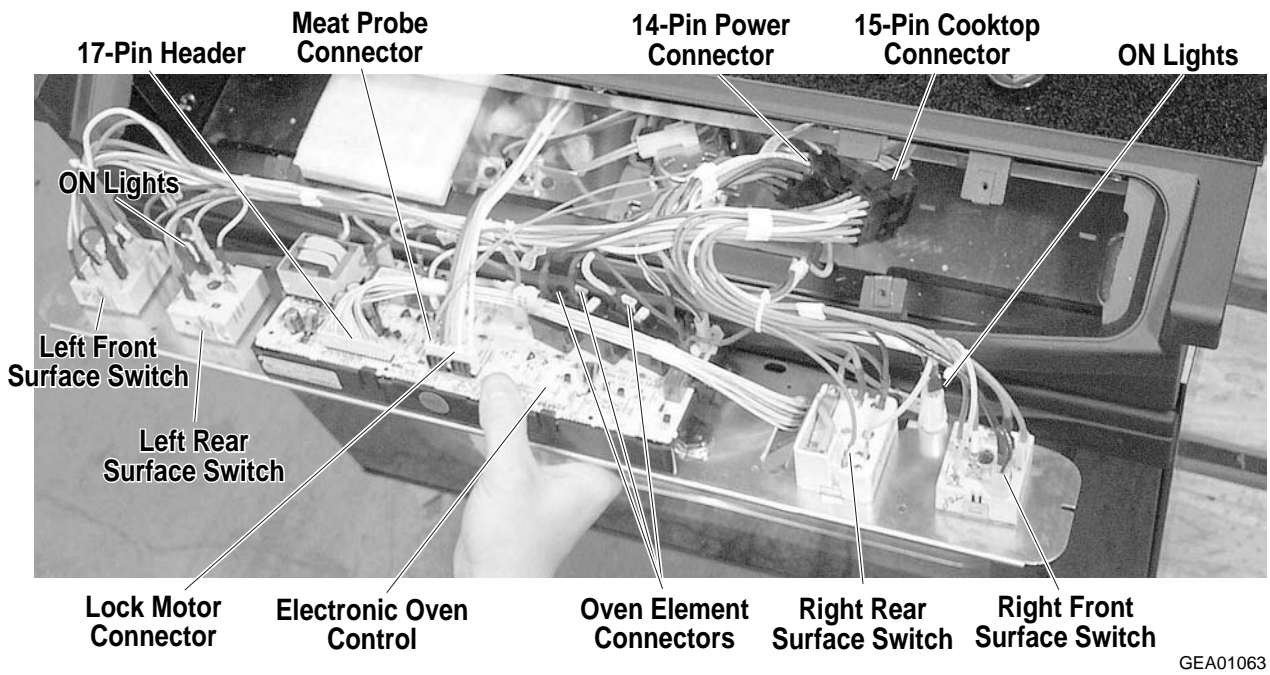
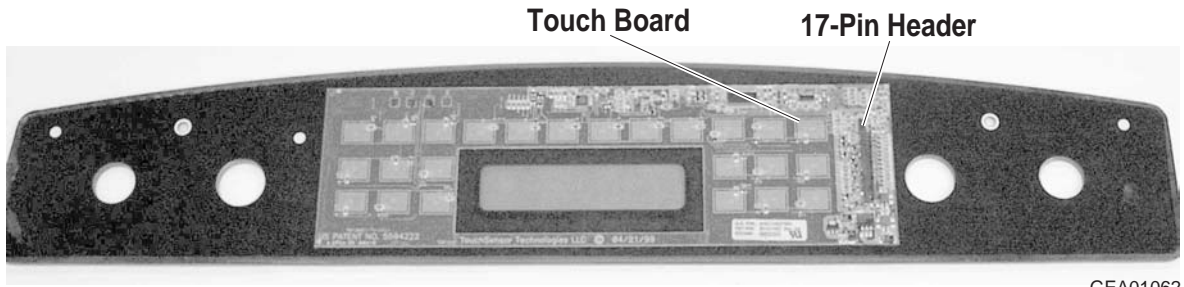
**Note:** When the door is either being locked or unlocked, both lock switches 1 & 2 will be in the open position.



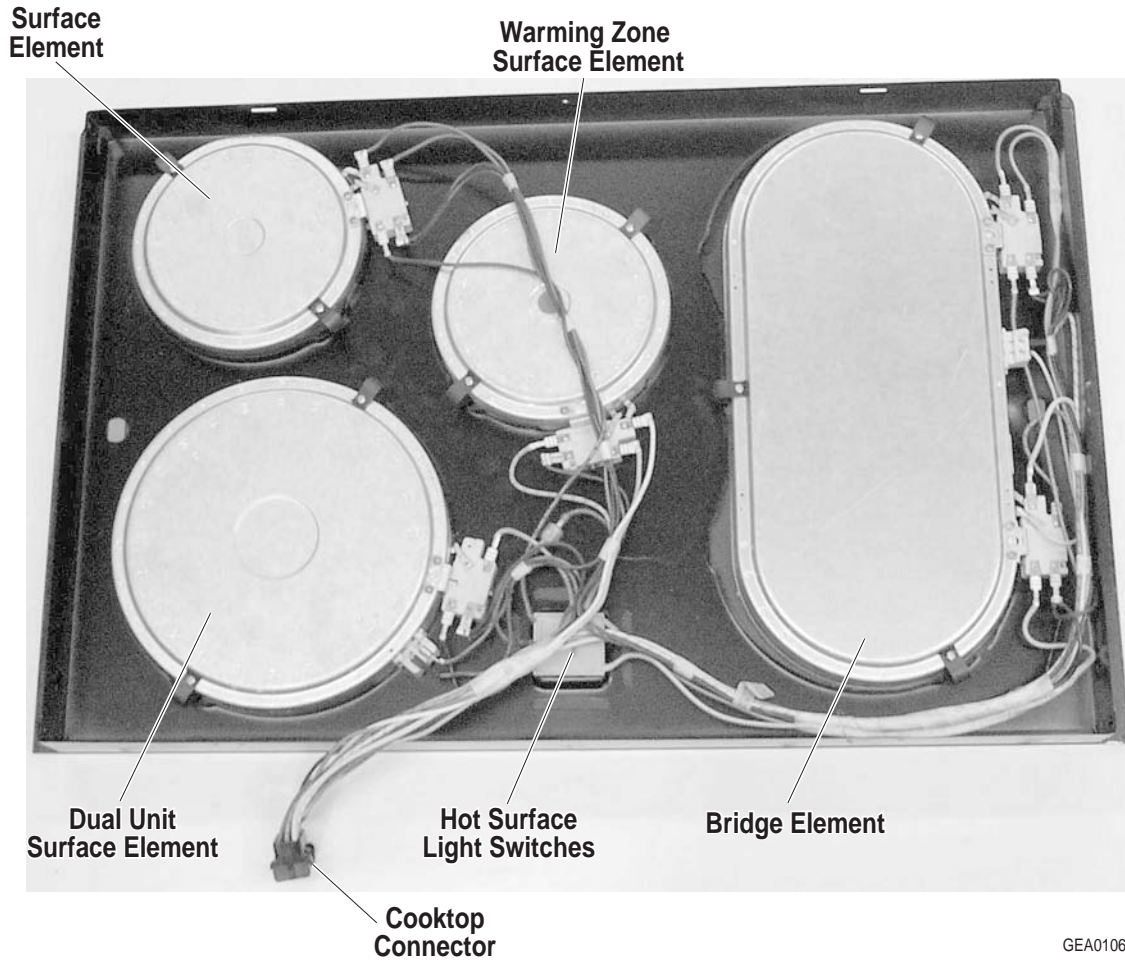
GEA01059

# Component and Connector Locator Views

JD966 and JS966

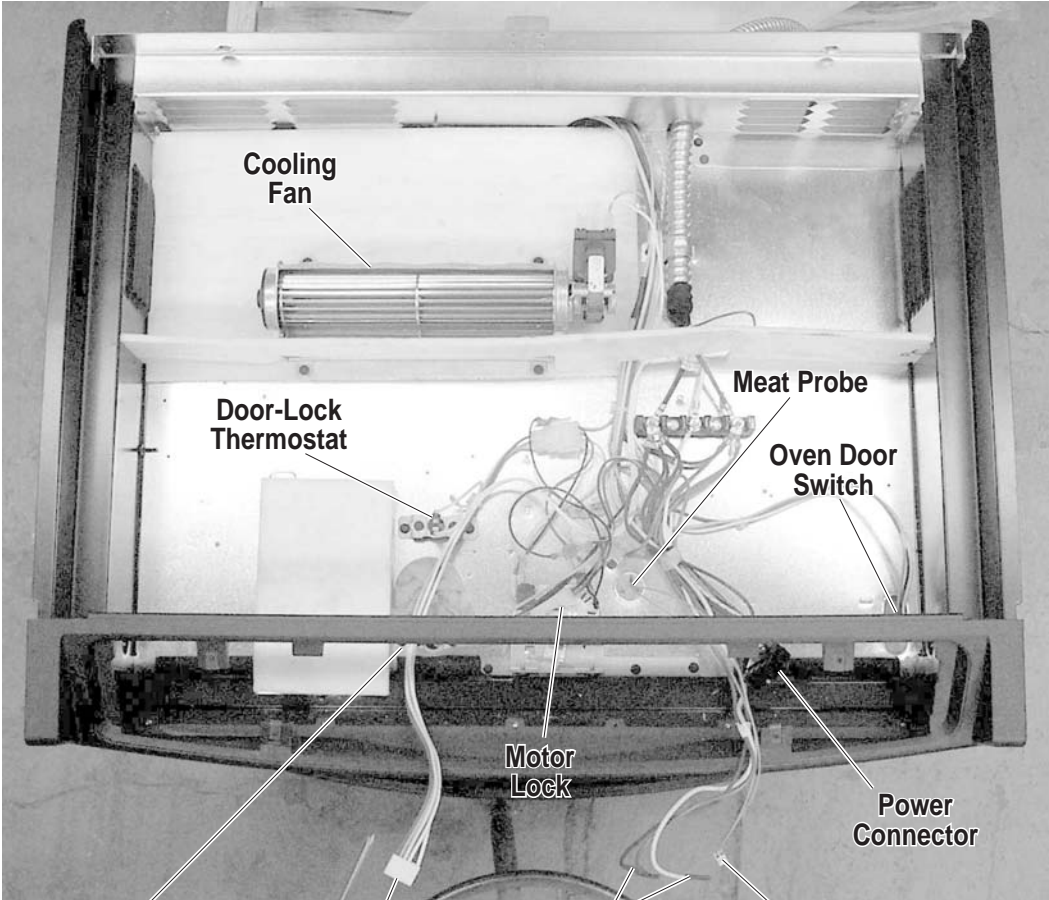


**JD966 and JS966**



GEA01064

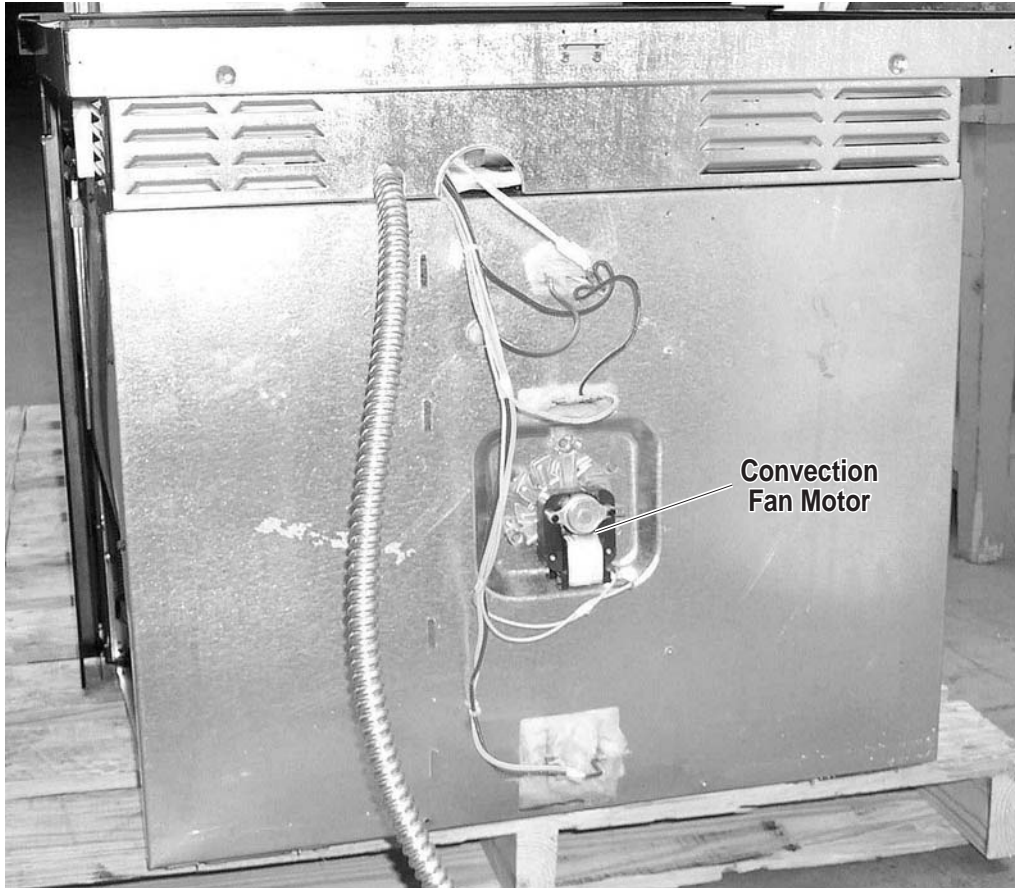
JD966 and JS966



Fan Thermostat      Lock Motor Connector      Oven Element Connectors      Meat Probe Connector      Power Connector

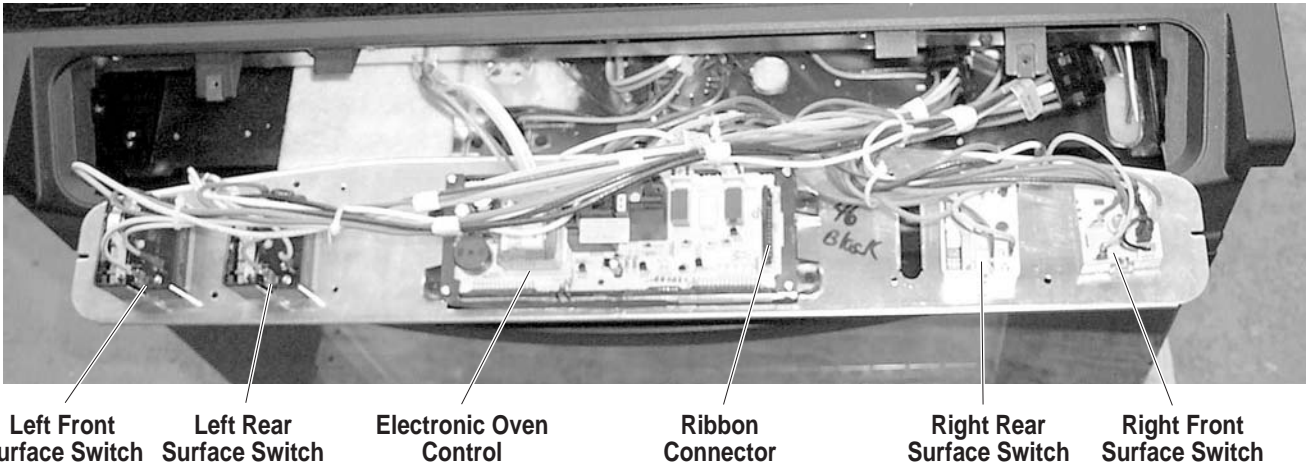
GEA01065

**JD966 and JS966**



GEA01066

**JDP and JSP (Variations)**



GEA01068

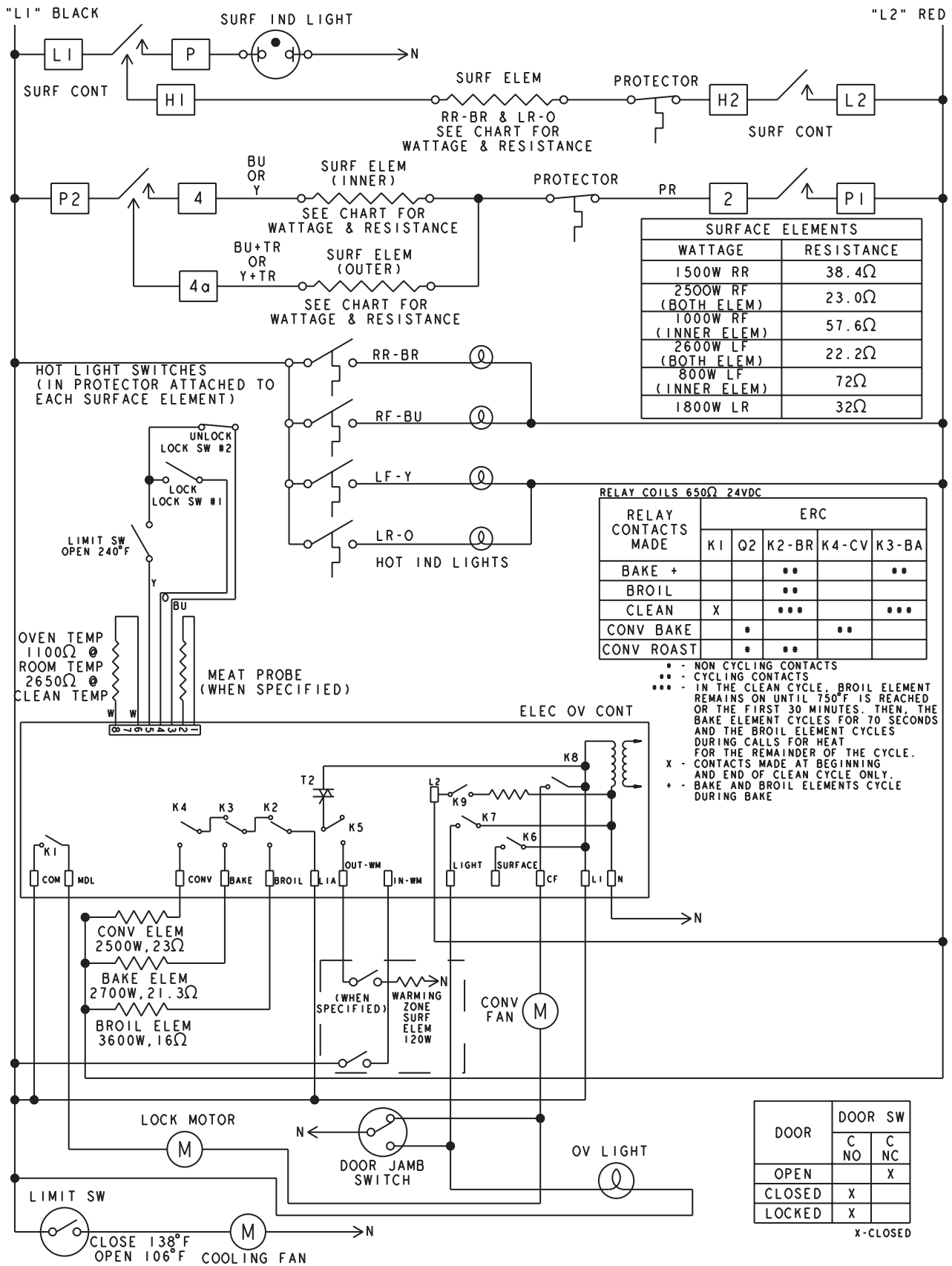
# Schematics and Strip Circuits

## Table of Contents

Schematic .....	47
Wiring Diagram .....	48
<b>Strip Circuits</b>	
Right Rear Surface Switch .....	49
Left Rear Surface Switch .....	49
Left Front and Right Front Surface Switches .....	49
Bake and Broil Units .....	49
Convection Bake .....	49
Convection Roast .....	49
Motorized Door Lock .....	50
Cooling Fan .....	50
Oven Light .....	50

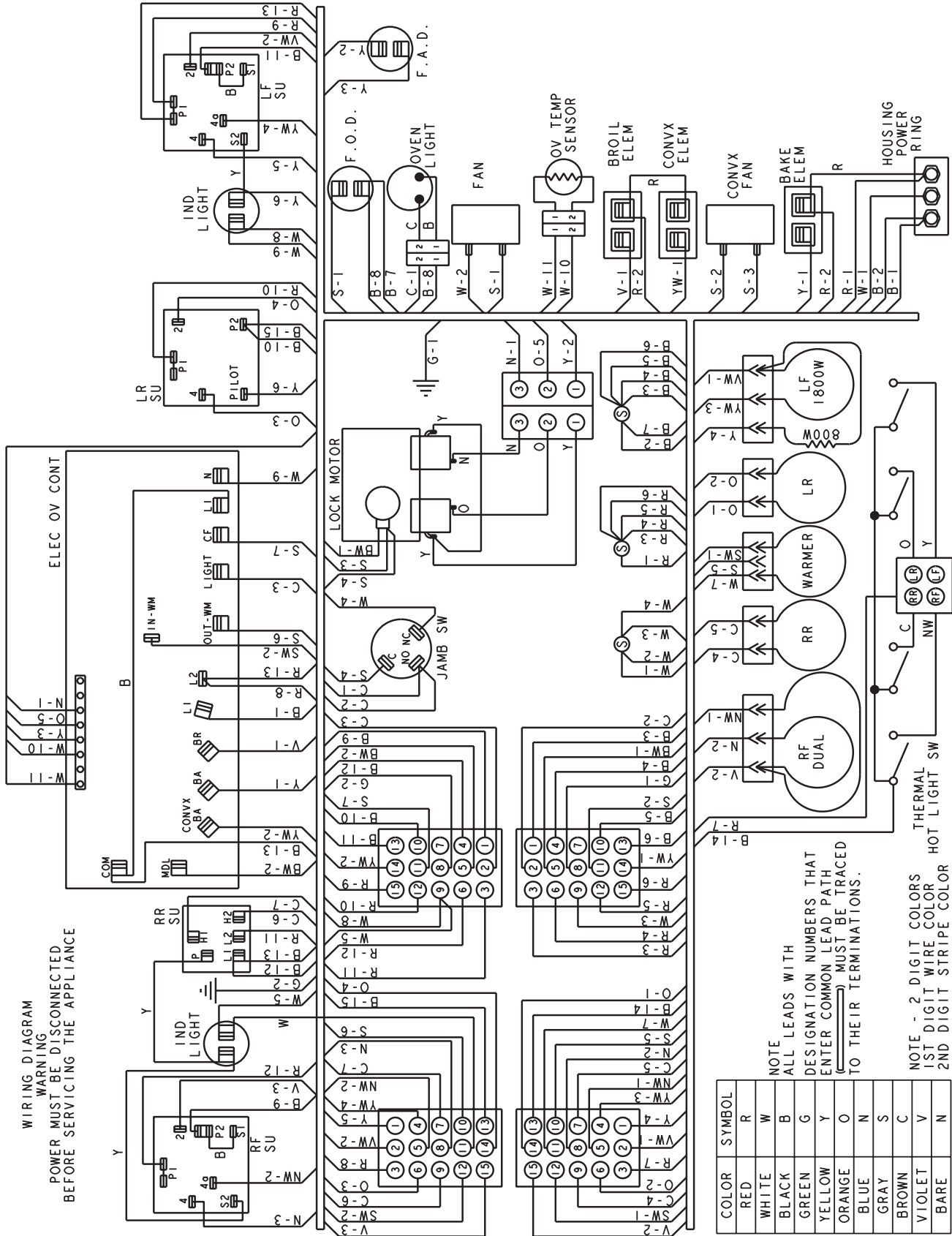


# Schematic



**Caution:** Label all wires prior to disconnection when servicing the controls. Wiring errors can cause improper and dangerous operation. Verify proper operation after servicing.

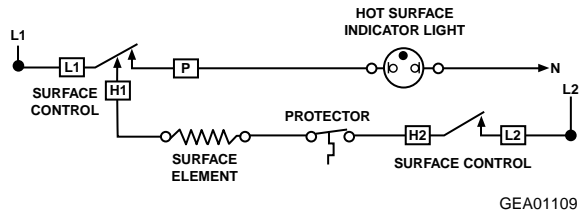
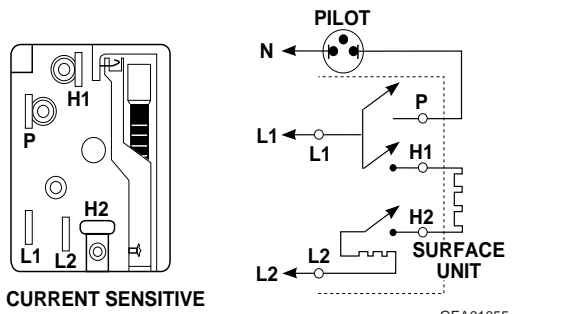
# Wiring Diagram



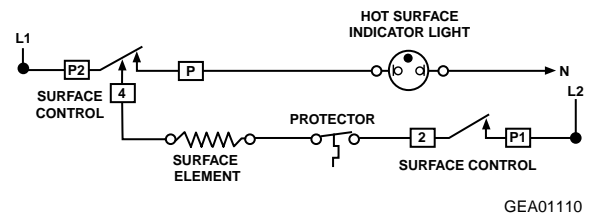
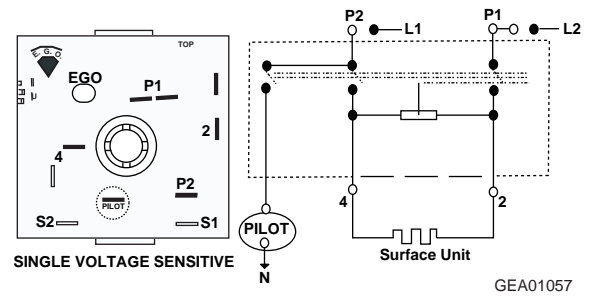
GEO1061

# Strip Circuits

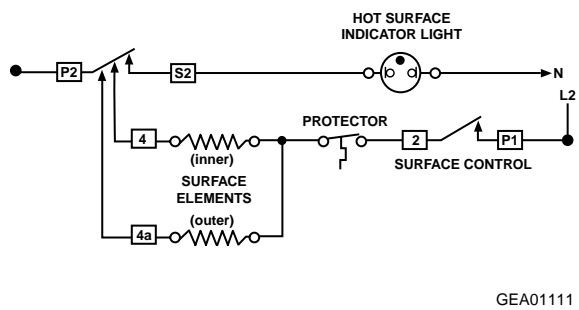
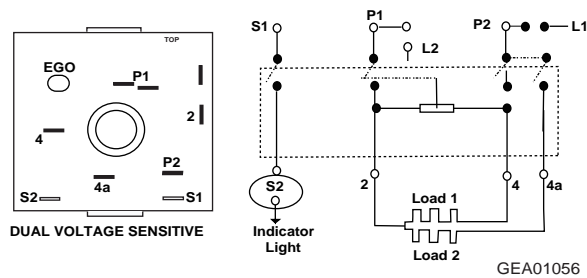
## Right Rear Surface Switch



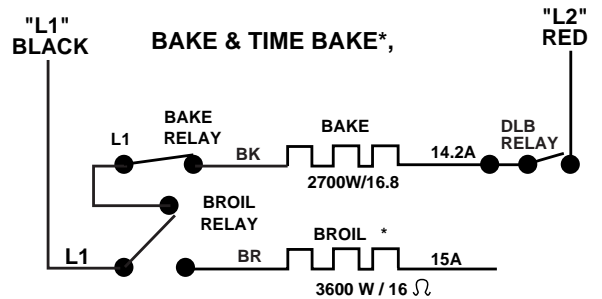
## Left Rear Surface Switch



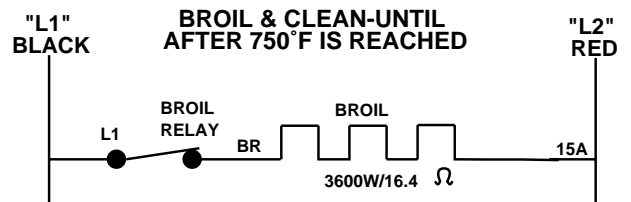
## Left Front and Right Front Surface Switches



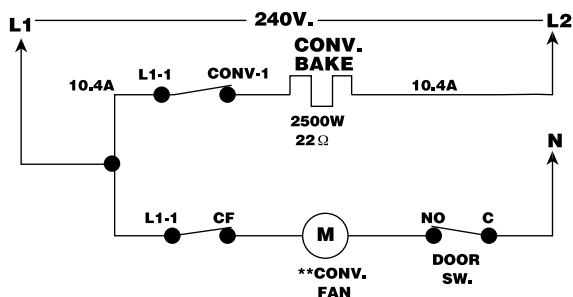
## Bake and Broil Units



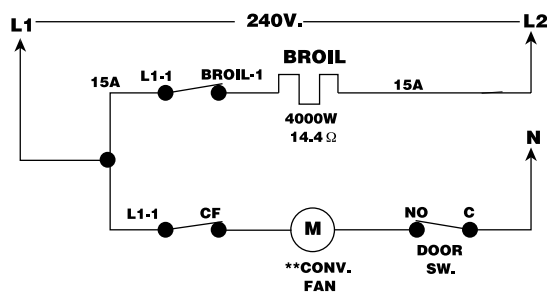
\*Approximately 25% on time in Bake.  
 Bake & Broil relays cannot be on at same time.  
 There is approx. 1 min. of dead time between  
 bake and broil unit operation after preheat.  
 Bake and broil units operate sequentially during first  
 (preheat) cycle.  
 \*\* 1 second dead time between bake and broil  
 units while calling for heat in clean.



## Convection Bake

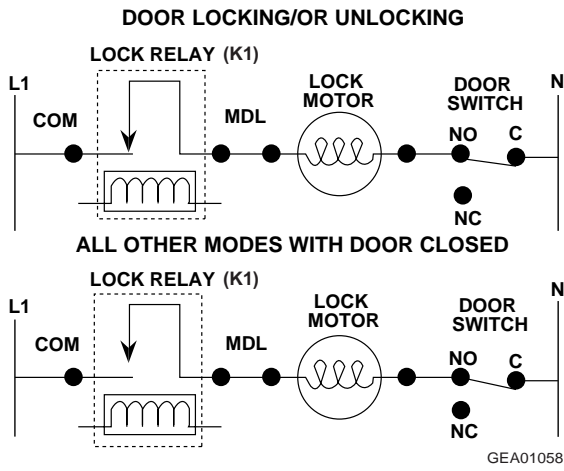


## Convection Roast

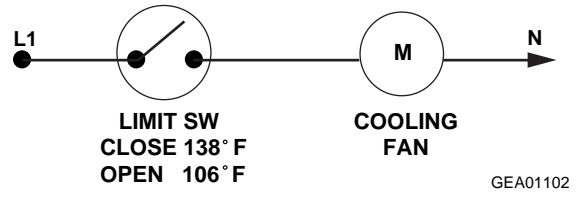


# Strip Circuits

## Motorized Door Lock



## Cooling Fan



## Oven Light

