



Website <http://us.lgservice.com>

# MICROWAVE OVEN **SERVICE MANUAL**

**MODEL: LMVH1750SB  
LMVH1750ST  
LMVH1750SW**

**CAUTION**

BEFORE SERVICING THE UNIT, READ THE SAFETY PRECAUTIONS IN THIS MANUAL.

P/NO : 3828W5S6189

August, 2005  
Printed in Korea

# **CAUTION**

## **WARNING TO SERVICE TECHNICIANS**

### **PRECAUTIONS TO BE OBSERVED BEFORE AND DURING SERVICING TO AVOID POSSIBLE EXPOSURE TO EXCESSIVE MICROWAVE ENERGY**

- a. Do not operate or allow the oven to be operated with the door open.**
  - b. Make the following safety checks on all ovens to be serviced before activating the magnetron or other microwave source, and make repairs as necessary; (1) Interlock operation, (2) proper door closing, (3) seal and sealing surfaces (arcing, wear, and other damage), (4) damage to or loosening of hinges and latches, (5) evidence of dropping or abuse.**
  - c. Before turning on microwave power for any service test or inspection within the microwave generating compartments, check the magnetron, wave guide or transmission line, and cavity for proper alignment, integrity, and connections.**
  - d. Any defective or misadjusted components in the interlock, monitor, door seal, and microwave generation and transmission systems shall be repaired, replaced, or adjusted by procedures described in this manual before the oven is released to the owner.**
  - e. A Microwave leakage check to verify compliance with the Federal performance standard should be performed on each oven prior to release to the owner.**
- Proper operation of the microwave ovens requires that the magnetron be assembled to the wave guide and cavity. Never operate the magnetron unless it is properly installed.
  - Be sure that the magnetron gasket is properly installed around the dome of the tube whenever installing the magnetron.
  - Routine service safety procedures should be exercised at all times.
  - Untrained personnel should not attempt service without a thorough review of the test procedures and safety information contained in this manual.

## FOREWORD

Read this Manual carefully. Failure to adhere to or observe the information in this Manual may result in exposing yourself to the Microwave Energy normally contained within the oven cavity.

### TABLE OF CONTENTS

	(Page)
SAFETY PRECAUTIONS .....	Inside front page
SPECIFICATIONS .....	1-1
CAUTIONS .....	2-1
INSTALLATIONS .....	3-1
OPERATING INSTRUCTIONS.....	4-1
CONTROL PANEL .....	4-1
CONTROL PANEL INSTRUCTIONS.....	4-2
OVERALL CIRCUIT DIAGRAM .....	5-1
SCHEMATIC DIAGRAM .....	5-1
MATRIX CIRCUIT FOR TOUCH KEY BOARD .....	5-2
GENERAL INFORMATION FOR SERVICE .....	6-1
GENERAL PRECAUTIONS IN USE .....	6-1
TRIAL OPERATION .....	6-1
FEATURES AND SPECIFICATIONS FEATURES .....	6-1
SERVICE INFORMATION .....	7-1
PRECAUTIONS AND REPAIR SERVICE TIPS .....	7-1
MICROWAVE LEAKAGE TEST .....	7-2
POWER OUTPUT MEASUREMENT.....	7-3
DISASSEMBLY INSTRUCTIONS .....	7-4
INTERLOCK SYSTEM .....	7-12
INTERLOCK CONTINUITY TEST .....	7-14
TEST AND CHECKOUT PROCEDURES AND TROUBLESHOOTING.....	7-15
A. TEST PROCEDURES .....	7-15
B. CHECKOUT PROCEDURES .....	7-20
C. TROUBLESHOOTING .....	7-23
EXPLODED VIEW .....	8-1
REPLACEMENT PARTS LIST .....	9-1

# SPECIFICATIONS

Rated Power Consumption .....	Microwave	1600W
	Convection	1700W
Microwave Output .....	Microwave	950W (IEC60705)
	Adjustable	95W through 950W, 10 steps
	Convection	1500W
Frequency .....		2450 MHz $\pm$ 50 MHz
Power Supply .....		120 VAC, 60 Hz
Rated Current .....	Microwave	13.5A
	Convection	14.0A
Magnetron Cooling .....		Forced Air Cooling
Rectification .....		Rectification Voltage Double Half-Wave
Door Sealing .....		Choke System
Safety Devices .....	Magnetron Thermostat:	Open at 150 °C $\pm$ 5 °C
		Close at 0 °C $\pm$ 5 °C
	Oven Thermostat:	Open at 145 °C $\pm$ 5 °C
		Close at 0 °C $\pm$ 5 °C
	Fuse(20A)	
	Primary Interlock Switch	
	Secondary Interlock Switch	
	Interlock Monitor Switch	
Magnetron .....		2M246
Cook top Lamp .....		130 V, 35 W
Cavity Lamp .....		130 V, 35 W
Timer .....		Digital, up to 99 min. 99 sec. (in each cooking stage)
Tray .....		Tempered Safety Glass
Overall Dimensions .....		29 <sup>15/16</sup> "(W)x16 <sup>7/16</sup> "(H)x15 <sup>3/8</sup> "(D)
Oven Cavity Size .....		21 <sup>1/4</sup> "(W)x9 <sup>7/16</sup> "(H)x14 <sup>3/16</sup> "(D)
Effective Capacity of Oven Cavity .....		1.7 Cu.ft.
Accessories .....		Use & Care Guide, Cooking Guide, Installation Manual Exhaust Adapter, Exhaust Damper, Mounting Kit & Two Filter Shaft, Rotating Ring, Glass Tray, Grill Rack, Metal Tray

## SWITCH CHART

SWITCH MODE	PRIMARY INTERLOCK SWITCH	SECONDARY INTERLOCK SWITCH	INTERLOCK MONITOR SWITCH
CONDITIONS	COM NO	COM NO	COM NC
DOOR OPEN	OPEN	OPEN	CLOSE
DOOR CLOSED	CLOSE	CLOSE	OPEN

**NOTE:** Use the above switch chart with circuit diagram on page 5-1.

# CAUTIONS

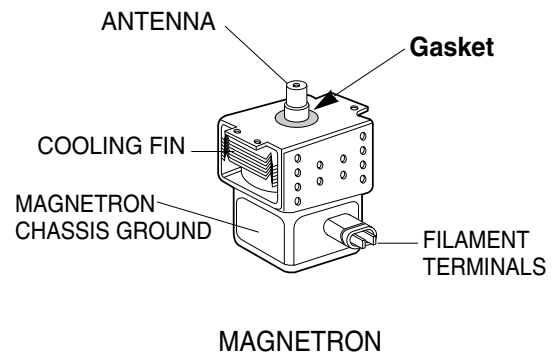
Unlike other appliances, the microwave oven is high-voltage and high-current equipment. Though it is free from danger in ordinary use, extreme care should be taken during repair.

- DO NOT operate on a 2-wire extension cord during repair and use.
- NEVER TOUCH any oven components or wiring during operation.
- BEFORE TOUCHING any parts of the oven, always remove the power plug from the outlet.
- Remove your watches whenever working close to or replacing the Magnetron.
- DO NOT touch any parts of the control panel circuit. A resulting static electric discharge may damage this P.C.B.
- NEVER operate the oven with no load.
- NEVER injure the door seal and front plate of the oven cavity.
- NEVER put iron tools on the magnetron.
- NEVER put anything into the latch hole and the interlock switches area.

## MICROWAVE RADIATION

Personnel should not be exposed to the microwave energy which may radiate from the magnetron or other microwave generating device if it is improperly used or connection. All input and output microwave connections, waveguide, flange, and gasket must be secure never operate the device without a microwave energy absorbing load attached. Never look into an open waveguide or antenna while the device is energized.

- Proper operation of the microwave oven requires that the magnetron be assembled to the waveguide and cavity. Never operate the magnetron unless it is properly installed.
- **Be sure that the magnetron gasket is properly installed around the dome of the tube whenever installing the magnetron.**



**THE OVEN IS TO BE SERVICED ONLY BY PROPERLY QUALIFIED SERVICE PERSONNEL.**

# INSTALLATIONS

**BEFORE YOU BEGIN, READ THE FOLLOWING INSTRUCTIONS COMPLETELY AND CAREFULLY.**

## ***PRECAUTIONS ON INSTALLATION***

- A. Plug the power supply cord into a 120V AC, 60Hz, single-phase power source with a capacity of at least 20 amperes.
- B. Avoid placing the unit in a location where there is direct heat or splashing water.
- C. Install the unit on the mounting plate firmly.
- D. Place the unit as far away as possible from TV, radio, etc. to prevent interference.

## ***GROUNDING INSTRUCTIONS***

For personal safety, this appliance must be fully grounded at all times.

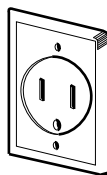
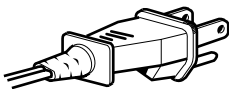
In the event of an electrical short circuit, grounding reduces the risk of electrical shock.

The plug must be plugged into an outlet that is properly installed and grounded.

## **CAUTION**

This unit is equipped with a 3-prong plug for your safety. If the wall outlet is a grounded 3-hole type, the unit will be grounded automatically.

**Plug with Ground Prong**



**Properly Polarized and Grounded Outlet**

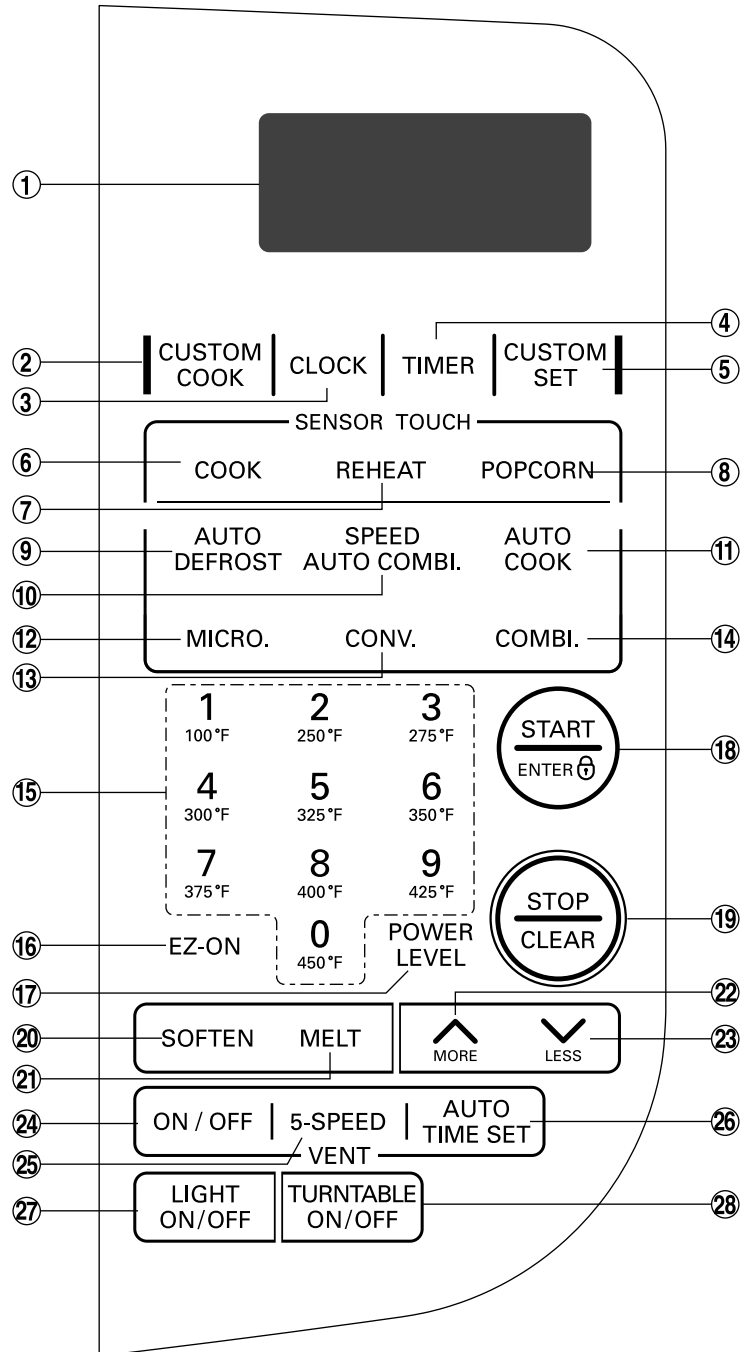
## **WARNING**

Improper use of the grounding plug can result in a risk of electric shock.

Do not, under any circumstances, cut or remove the third ground prong from the power cord plug.

# OPERATING INSTRUCTIONS

## CONTROL PANEL



## CONTROL PANEL INSTRUCTIONS

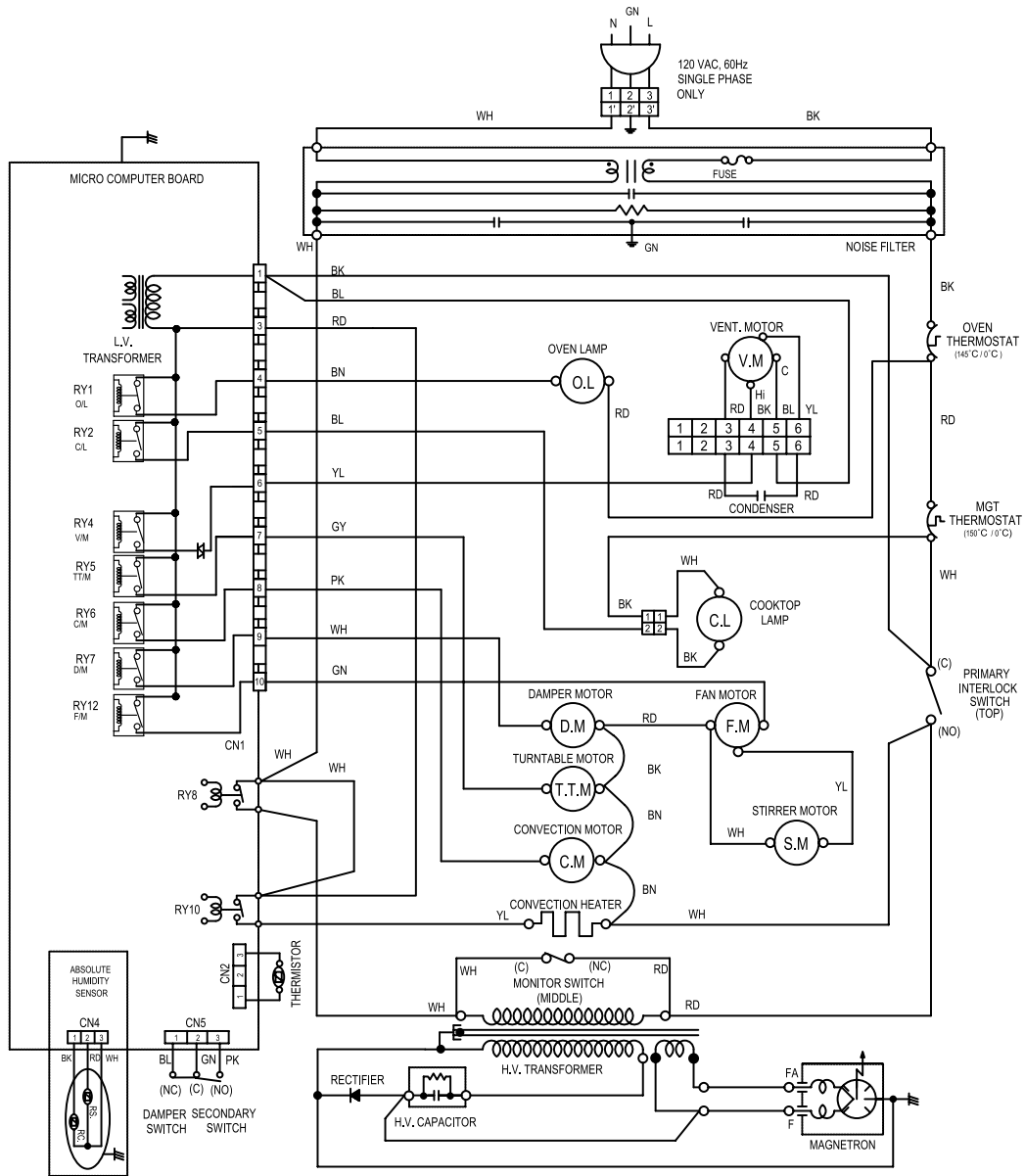
---

1. **DISPLAY:** The Display includes a clock and indicators to tell you time of day, cooking time settings, and cooking functions selected.
2. **CUSTOM COOK:** Touch this pad to recall one cooking instruction previously programmed into memory.
3. **CLOCK:** Touch this pad to enter the time of day.
4. **TIMER:** Touch this pad to set the timer.
5. **CUSTOM SET:** Touch this pad to change the oven's default settings for sound, clock, display speed, and defrost weight.
6. **SENSOR COOK:** Touch this pad to cook baked potato, frozen vegetable, fresh vegetable, canned vegetable, frozen entrée, and rice. The oven's sensor will tell the oven how long to cook depending on the amount of humidity coming from the food.
7. **SENSOR REHEAT:** Touch this pad to reheat casserole, dinner plate, pizza slice, and soup/sauce. The oven's sensor will tell the oven how long to cook depending on the amount of humidity coming from the food.
8. **SENSOR POPCORN:** Touch this pad when popping popcorn in your microwave oven. The oven's sensor will tell the oven how long to cook depending on the amount of humidity it detects from the popcorn.
9. **AUTO DEFROST:** Touch this pad to select food type and defrost food by weight.
10. **SPEED AUTO COMBI:** Touch this pad when setting weight combination cooking.
11. **AUTO COOK:** Touch this pad to cook Bacon, Fresh Roll & Muffin, Frozen Roll & Muffin, Beverage, Chicken Pieces, and Hot Cereal.
12. **MICRO.:** Touch this pad when setting Microwave cooking.
13. **CONV.:** Touch this pad when setting Convection cooking.
14. **COMBI.:** Touch this pad when setting combination cooking or preheat.
15. **NUMBER:** Touch number pads to enter cooking time, power level, quantities, weights, or cooking temperature.
16. **EZ-ON:** Touch this pad to set and start at 100% power level on microwave cooking.
17. **POWER LEVEL:** Touch this pad to select a cooking power level.
18. **START/ENTER:** Touch this pad to start a function or enter all entries. If you open the door after oven begins to cook, touch START/ENTER again.
19. **STOP/CLEAR:** Touch this pad to stop the oven or to clear all entries.
20. **SOFTEN:** Touch this pad to soften Butter, Ice Cream, Cream Cheese, or Frozen Juice.
21. **MELT:** Touch this pad to melt Butter or Margarine, Chocolate, Cheese, or Marshmallow.
22. **More:** Touch this pad to add ten seconds of cooking time each time you press it.
23. **Less:** Touch this pad to subtract ten seconds of cooking time each time you press it.
24. **VENT ON/OFF:** Touch this pad to turn the fan on/off.
25. **VENT 5-SPEED:** Touch this pad to choose one of 5 fan speeds.
26. **VENT AUTO TIME SET:** Touch this pad when setting ventilation time. (1, 3, 5, 10, and 30 minutes.)
27. **LIGHT ON/OFF:** Touch this pad to turn the cooktop/ countertop light on or off.
28. **TURNTABLE ON/OFF:** Touch this pad to turn off the turntable. OFF will appear in the display.  
**NOTE:** This option is not available in sensor cook and defrost modes.

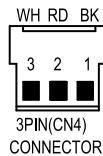
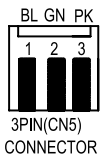
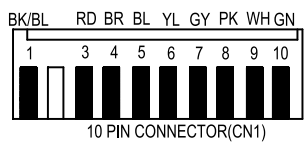


# OVERALL CIRCUIT DIAGRAM

## SCHEMATIC DIAGRAM



### CONTROL MODULE



\*Note: Door is opened  
 O.L: Oven Lamp  
 V.M: Ventilation Motor  
 C.L: Cook Top Lamp  
 D.M: Damper Motor  
 F.M: Fan Motor  
 T.T.M: Turntable Motor  
 S.M: Stirrer Motor  
 C.M: Convection Motor

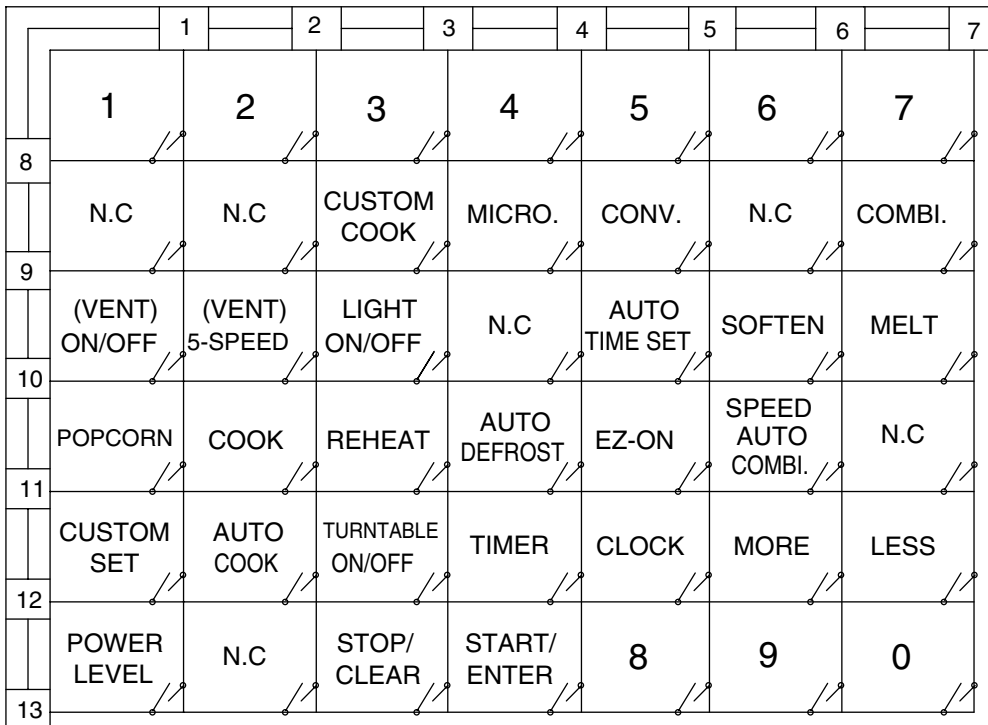
NOTE:  
 1. DOOR IS OPEN  
 2. WIRE COLORS

SYMBOL	COLOR
WH	WHITE
BK	BLACK
RD	RED
YL	YELLOW
PK	PINK
BL	BLUE
BN	BROWN
GN	GREEN
GY	GRAY

# MATRIX CIRCUIT FOR TOUCH KEY BOARD

---

## KEY MATRIX



# GENERAL INFORMATION FOR SERVICE

## GENERAL PRECAUTIONS IN USE

- A. Never operate the unit when it is empty.  
Operating the oven with no load may shorten the life of the magnetron. Whenever cooking dry foods (dried fish, bread, etc.) or a small amount of food, be sure to put a glass of water into the cooking compartment. The glass turntable may become hot after operating, be careful when touching it.
- B. Aluminum foil should be avoided because it will disrupt cooking and may cause arcing. However, small pieces may be used to cover some parts of food to slow the cooking. Any aluminum foil used should never be closer than 2.5 cm to any side wall of the oven.

## TRIAL OPERATION

After installation, the following sequences and results should be checked carefully.

- A. Put a container filled with water (about 1 liter) into the oven, and close the door tightly.
- B. Set cooking time for 10 minutes by touching "1" and then "0" three times. "1, 0, 0, 0" appears in the display window.
- C. Touch the START/ENTER key.  
Make sure the cavity light comes on. The unit will begin cooking and the display window will show the time counting down by seconds.
- D. After about 5 minutes, make sure the primary interlock switch, the secondary interlock switch and the interlock monitor switch operate properly by opening and closing the door several times. Touch the START/ENTER key each time the door is closed.
- E. Continue operating the unit. Two short and a long beep sound signal is heard when the time is up.  
The unit will shut off automatically.
- F. Confirm the water is hot.
- G. Finally, measure the output power according to "POWER OUTPUT MEASUREMENT" on page 7-3.

## FEATURES AND SPECIFICATIONS FEATURES

- A. The safety systems incorporated in this model are:
  - (1) Primary interlock switch
  - (2) Secondary interlock switch
  - (3) Interlock monitor switch
  - (4) Choke system
  - (5) Oven cavity thermostat  
(Note This thermostat located on the oven cavity will open and stop the unit from operation only if a high temperature is reached, such as, a fire created by overcooking food.)
- B. Any one of 10 power output levels ranging 0W to 950W can be selected by the touch control and electronic computer system.
- C. Cooking time can be displayed on the digital readout.
- D. Three different cooking stages (Include Defrost) can be changes from one cooking stage to another. This is made possible with the memory function of the microprocessor.

# SERVICE INFORMATION

## PRECAUTIONS AND REPAIR SERVICE TIPS

### PRELIMINARY

#### **A. SINCE NEARLY 4000 VOLTS EXISTS IN SOME CIRCUITS OF THIS UNIT REPAIRS SHOULD BE CARRIED OUT WITH GREAT CARE.**

The filament leads of magnetron carry High Voltage with respect to ground. Extreme caution must be exercised. Never plug the unit into a power source to determine which component is defective in high voltage section.

#### **B. TO AVOID POSSIBLE EXPOSURE TO MICROWAVE ENERGY LEAKAGE, THE FOLLOWING PRECAUTIONS MUST BE TAKEN BEFORE SERVICING.**

- (1) Before the power is applied:
  - (a) Make sure the primary interlock switch, the secondary interlock switch and the interlock monitor switch operate properly by opening and closing the door several by opening and closing the door several times.
  - (b) Make sure the perforated screen and the dielectric choke of the door are correctly and firmly mounted.
- (2) After power is applied:
  - (a) Make sure the interlock switch mechanism is operating properly by opening and closing the door.
  - (b) Check microwave energy leakage must be below the limit of  $5 \text{ mW/cm}^2$  .  
(All service adjustments should be made for minimum microwave energy leakage readings).
- (3) Do not operate the unit until it is completely repaired, if any of the following conditions exist. The unit must not be operated.
  - (a) The door does not close firmly.
  - (b) The hinge is broken.
  - (c) The door seal is damaged.
  - (d) The door is bent or warped, or there is any other visible damage on the unit that may cause microwave energy leakage.

**NOTE:** Always keep the seal clean.

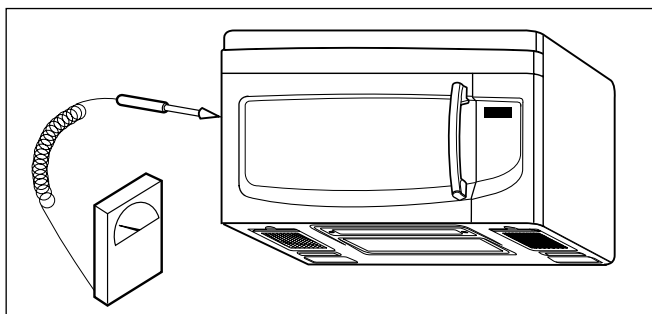
  - (e) Make sure that there are no defective parts in the interlock mechanism.
  - (f) Make sure that there are no defective parts in the microwave generating and transmission assembly (especially waveguide).
- (4) The following items should be checked after the unit is repaired:
  - (a) The interlock monitor switch is connected correctly and firmly.
  - (b) The magnetron gasket is properly positioned and mounted.
  - (c) The waveguide and the oven cavity are intact. (no microwave energy leakage)
  - (d) The door can be properly closed and the safety switches work properly.
  - (e) The unit must stop when the door is opened or the time is up.

The unit must not be operated with any of the above components removed or by-passed.

# MICROWAVE LEAKAGE TEST

## CAUTIONS

- Be sure to check microwave leakage prior to servicing the oven if the oven is operative prior to servicing.
- The service personnel should inform the manufacture importer, or assembler of any certified oven unit found to have a microwave emission level in excess of 5 mW/cm<sup>2</sup> and should repair any unit found to have excessive emission levels at no cost to the owner and should ascertain the cause of the excessive leakage. The service personnel should instruct the owner not to use the unit until the oven has been brought into compliance.
- If the oven operates with the door open, the service personnel should;
  - Tell the user not to operate the oven
  - Contact the manufacturer and CDRH (Center for Devices and Radiological Health)immediately.**NOTE:** Address on CDRH  
Office of Compliance (HFZ-312)  
Center for Devices and Radiological Health  
1390 Piccard Drive Rockville, Maryland 20850
- The service personnel should check all surface and vent openings for microwave emission testing.
- Check for microwave energy leakage after every servicing. The power density of the microwave radiation leakage emitted by the microwave oven should not exceed 1mW/cm<sup>2</sup>.sq. And always start measuring of an unknown field to assure safety for operating personnel from radiation leakage.  
**NOTE:** The standard is 5mW/cm<sup>2</sup>.sq. while in the customer's home. 1mW/cm<sup>2</sup>.sq.stated here is manufacturer's own voluntary standard for units in customer's home.

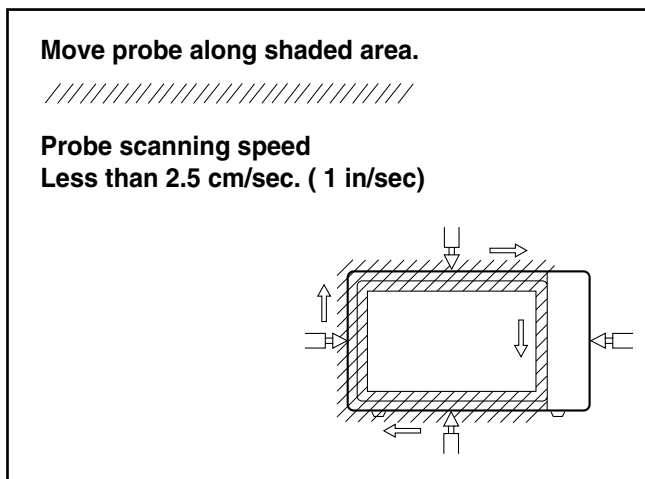


## EQUIPMENT-

- TESTER ((VOLTS-DC, AC, Ohmmeter)
- Microwave survey meter
  - Holaday HI-1500  
HI-1501
  - Narda 8100  
8200
- 600 cc non conductive material beaker (glass or plastic), inside diameter:approx.8.5 cm (3 1/2 in.)
- Glass thermometer: 100 °C or 212 °F (1 deg scale)

## MEASURING MICROWAVE ENERGY LEAKAGE

- Pour 275±15cc of 20±5°C(68±9°F) water in a beaker which is graduated to 600 cc, and place the beaker on the oven.
- Set the energy leakage monitor to 2,450 MHz and use it following the manufacturer's recommended test procedure to assure correct result.
- When measuring the leakage, always use the 2-inch (5cm) spacer supplied with the probe.
- Operate the oven at its maximum output.
- Measure the microwave radiation using and electromagnetic radiation monitor by holding the probe perpendicular to the surface being measured.



## MEASUREMENT WITH THE OUTSIDE CASE REMOVED

- (1) When you replace the magnetron, measure for microwave energy leakage before the outer case is installed and after all necessary components are replaced or adjusted. Special care should be taken in measuring the following parts.
  - Around the magnetron
  - The waveguide

**WARNING:** AVOID CONTACTING ANY HIGH VOLTAGE PARTS.

## MEASUREMENT WITH A FULLY ASSEMBLED OVEN

- (1) After all components, including the outer panels, are fully assembled, measure for microwave energy leakage around the door viewing window, the exhaust opening and air inlet openings.
- (2) Microwave energy leakage must not exceed the values prescribed below.

### NOTES:

Leakage with the outer panels removed -less than 5 mW/cm<sup>2</sup>.

Leakage for a fully assembled oven ("Before the latch switch (primary) is interrupted") with the door in a slightly opened position -less than 1 mW/cm<sup>2</sup>

## NOTE WHEN MEASURING

- (1) Do not exceed meter full scale deflection.
- (2) The test probe must be removed no faster than 1 inch/sec (2.5cm/sec) along the shaded area, otherwise a false reading may result.
- (3) The test probe must be held with the grip portion of the handle. A false reading may result if the operator's hand is between the handle and the probe.
- (4) When testing near a corner of the door, keep the probe perpendicular to the surface making sure the probe is moved horizontally along the oven surface.

## RECORD KEEPING AND NOTIFICATION AFTER MEASUREMENT

- (1) After adjustment and repair of any microwave energy interruption or microwave energy blocking device, record the measured values for future reference. Also enter the information on the service invoice.
- (2) Should the microwave energy leakage not be more than 1 mW/cm<sup>2</sup> after determining that all parts are in good condition, functioning properly and genuine replacement parts which are listed in this manual have been used.
- (3) At least once a year, have the electromagnetic energy leakage monitor checked for calibration by its manufacturer.

## POWER OUTPUT MEASUREMENT

- (1) Microwave power output measurement is made with the microwave oven supplied at its rated voltage and operated at its maximum microwave power setting with a load of (1000 ± 5)g of potable water.
- (2) The water is contained in a cylindrical borosilicate glass vessel having a maximum material thickness of 1/8" (3 mm) and an outside diameter of approximately 7.6" (190mm).
- (3) The oven and the empty vessel are at ambient Temperature(T<sub>0</sub>) prior to the start of the test.
- (4) The initial temperature (T<sub>1</sub>) of the water is (10 ± 1)°C (50 °F) It is measured immediately before the water is added to the vessel. After addition of the water to the vessel, the load is immediately placed on the center of the turntable which is in the lowest position and the microwave power switched on.
- (5) The time t for the temperature of the water to rise by a value T of (10 ± 1)°K is measured, where t is the time in seconds and T is the temperature rise. The initial and final water temperatures are selected so that the maximum difference between the final water temperature and the ambient temperature is 5 °K.
- (6) The microwave power output P in watts is calculated from the following formula :

$$P = \frac{4.187 Mw(T_2 - T_1) + 0.55Mc(T_2 - T_0)}{t}$$

is measured while the microwave generator is operating at full power. Magnetron filament heat-up time is not included. (about 3 sec)

- (7) The water is stirred to equalize temperature throughout the vessel, prior to measuring the final water temperature.
- (8) Stirring devices and measuring instruments are selected in order to minimize addition or removal of heat.

Where

**P** is the microwave power output, in watts:

**Mw** is the mass of the water, in grams:

**Mc** is the mass of the container, in grams:

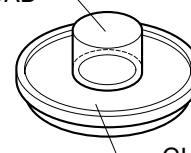
**T<sub>0</sub>** is the ambient temperature, in °C:

**T<sub>1</sub>** is the initial temperature of the water, in °C:

**T<sub>2</sub>** is the final temperature of the water, in °C:

**t** is the heating time in seconds, excluding the magnetron filament heat-up time.

WATER LOAD



GLASS TRAY

# DISASSEMBLY INSTRUCTIONS

## IMPORTANT NOTES:

UNIT MUST BE DISCONNECTED FROM ELECTRICAL OUTLET WHEN MAKING REPAIRS, REPLACEMENTS, ADJUSTMENTS AND CONTINUITY CHECKS. WAIT AT LEAST ONE MINUTE, UNTIL THE HIGH VOLTAGE CAPACITOR IN THE HIGH VOLTAGE POWER SUPPLY HAS FULLY DISCHARGED.

THE CAPACITOR SHOULD BE DISCHARGED BY USING INSULATED WIRE - I.E. TEST PROBE CONNECTED TO 10K-OHM RESISTOR IN SERIES TO GROUND.

WHEN RECONNECTING THE WIRE LEADS TO ANY PART, MAKE SURE THE WIRING CONNECTIONS AND LEAD COLORS ARE CORRECTLY MATCHED ACCORDING TO THE OVERALL CIRCUIT DIAGRAM. (ESPECIALLY SWITCHES AND HIGH VOLTAGE CIRCUIT.)

## A. REMOVING POWER AND CONTROL CIRCUIT BOARD (Figures 1, 2 and 3)

- (1) Remove a screw securing the control panel assembly to the oven cavity.
- (2) Remove the control panel with pushing it upward.
- (3) Remove the five connectors (CN1, CN2, CN4, CN5) and wire leads (Relay8, Relay10) from the circuit board.

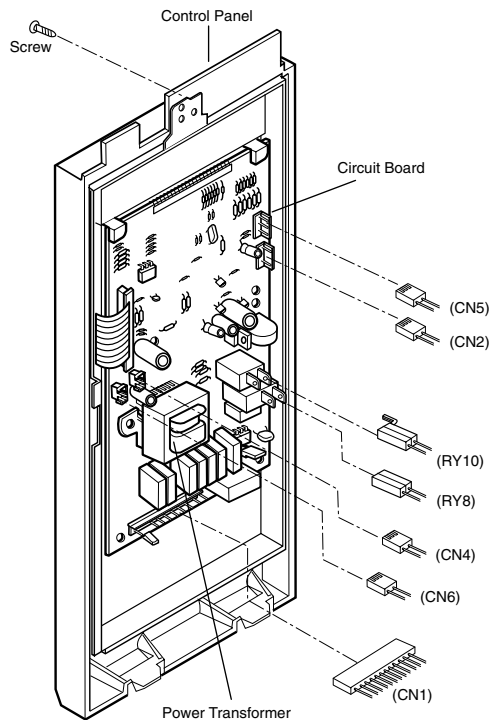


Figure 1

- (4) Remove 4 screws securing the circuit board.

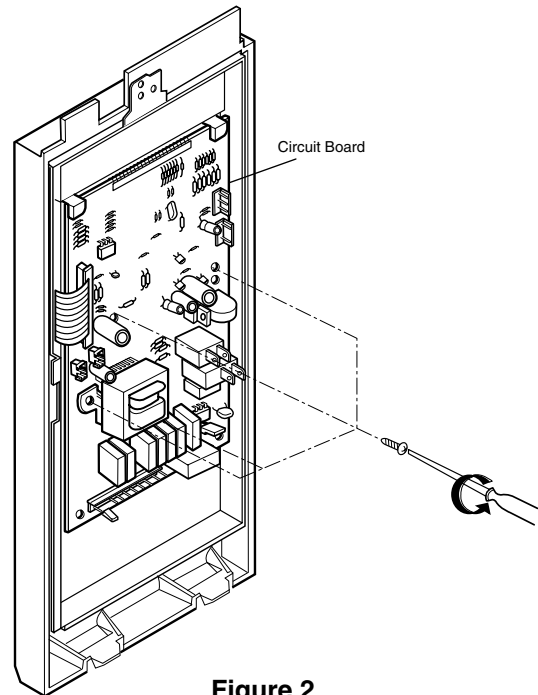


Figure 2

- (5) Remove the FPC connector from the terminal socket following "HOW TO REMOVE THE FPC CONNECTOR" on the next page.
- (6) Remove the circuit board from the control bracket carefully.

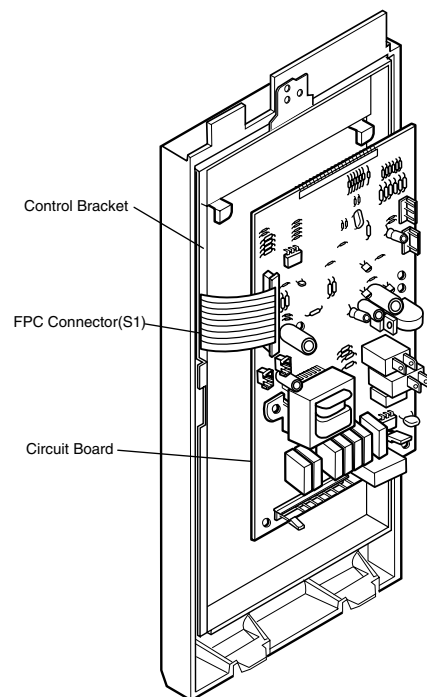


Figure 3

## HOW TO REMOVE THE F.P.C. CONNECTOR

Follow the steps below as illustrated in Figures 4 and 5 to remove the F.P.C. connector.

- (1) Hold the edges of the plastic fastener with thumb and forefinger. (Figure 4)
- (2) Lift up the lever of the plastic fastener from the terminal socket by lightly pressing the lever end with forefinger. (Figure 5)
- (3) Remove the F.P.C. connector from the terminal socket.

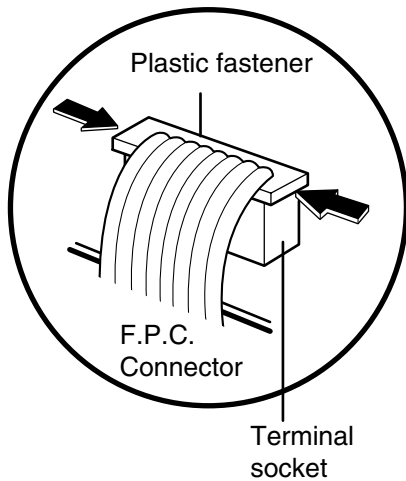


Figure 4

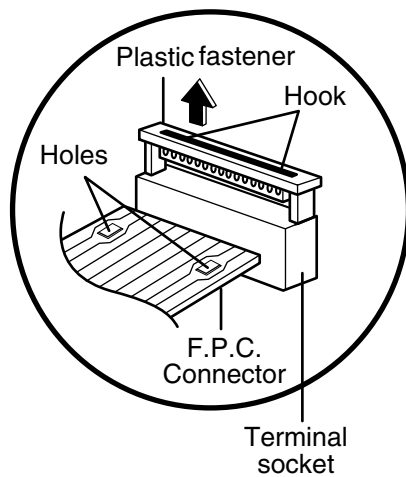


Figure 5

## HOW TO INSERT THE F.P.C. CONNECTOR

Follow the steps below as illustrated in Figures 6 and 7 to insert the F.P.C. connector.

- (1) Insert the F.P.C. connector into the terminal socket securely with the fingers.
- (2) Hold the plastic fastener with thumb and forefinger of the other hand, and push it slowly into the terminal socket. (Figure 6)

**NOTE:** When reconnecting the F.P.C. connector make sure that the holes on the F.P.C. connector are properly engaged with the hooks on the plastic fastener

- (3) Lock the level of the plastic fastener into the hook of the terminal socket securely by releasing the fingers. (Figure 7)

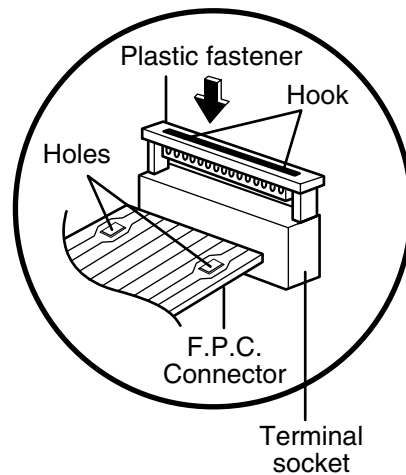


Figure 6

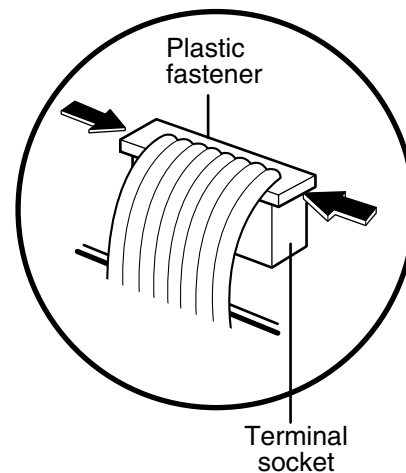


Figure 7



## B. REMOVING THE OUTSIDE CASE (Figure 8)

- (1) Remove the vent grille by removing two screws securing it to the outside case.
- (2) Remove two screws securing it to the air duct.
- (3) Remove the mounting plate by turning the screws (1 or 2 screws)securing it to the out case.
- (4) Remove two screws on the left central edge and one screw on the right central edge of Base plate. Remove the Mount, All from the outside case by removing one screw securing it to the outside case.
- (5) Remove six screws of the rear cavity.
- (6) Remove the outside case.

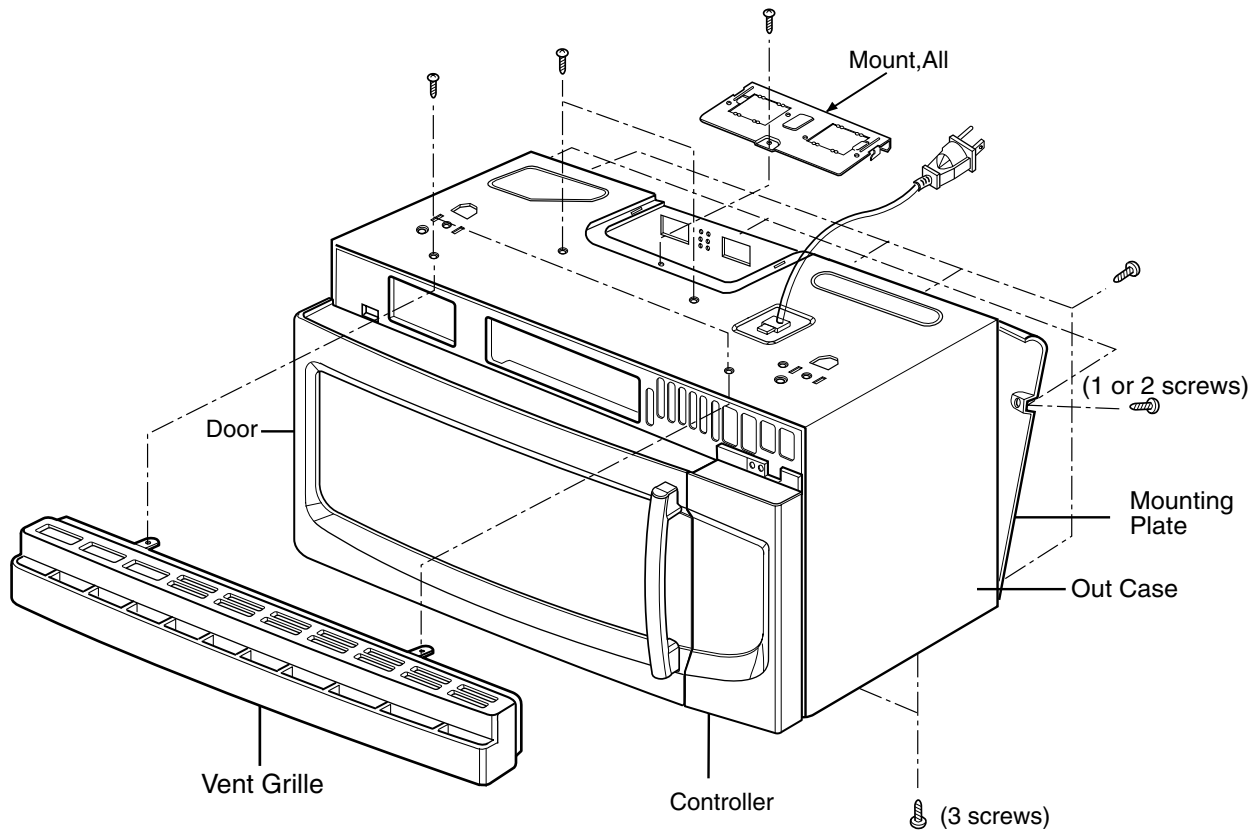


Figure 8

### C. REMOVING THE DOOR INTERLOCK SWITCHES (Figures 9, 10)

- (1) Disconnect the wire leads from the interlock switches.
- (2) Remove two screws securing the Latch Board.
- (3) Make necessary replacements and check microwave energy leakage according to "ADJUSTMENT PROCEDURES" on page 7-12.

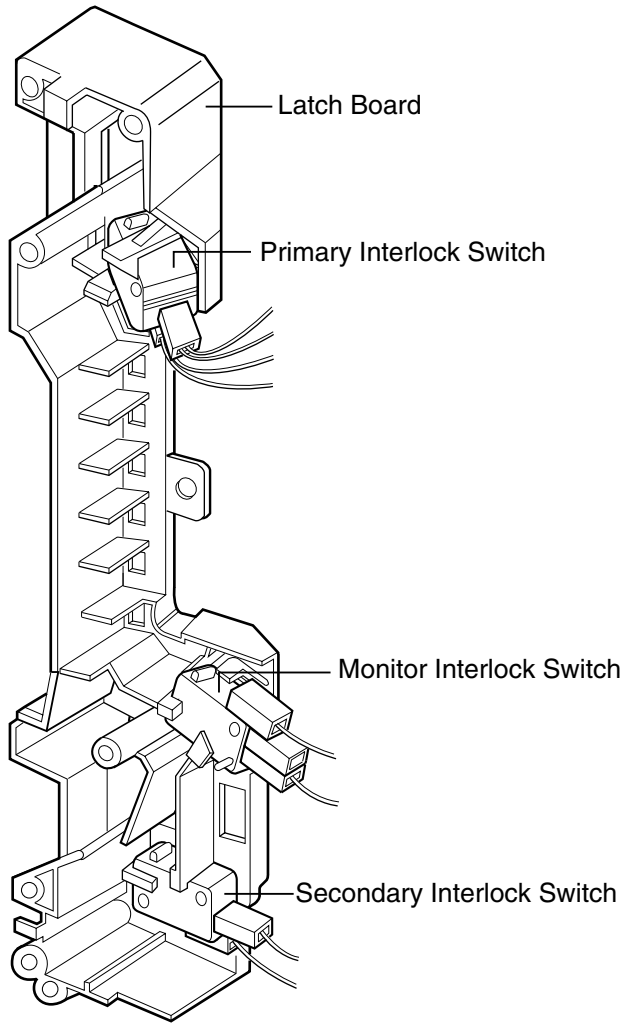


Figure 9

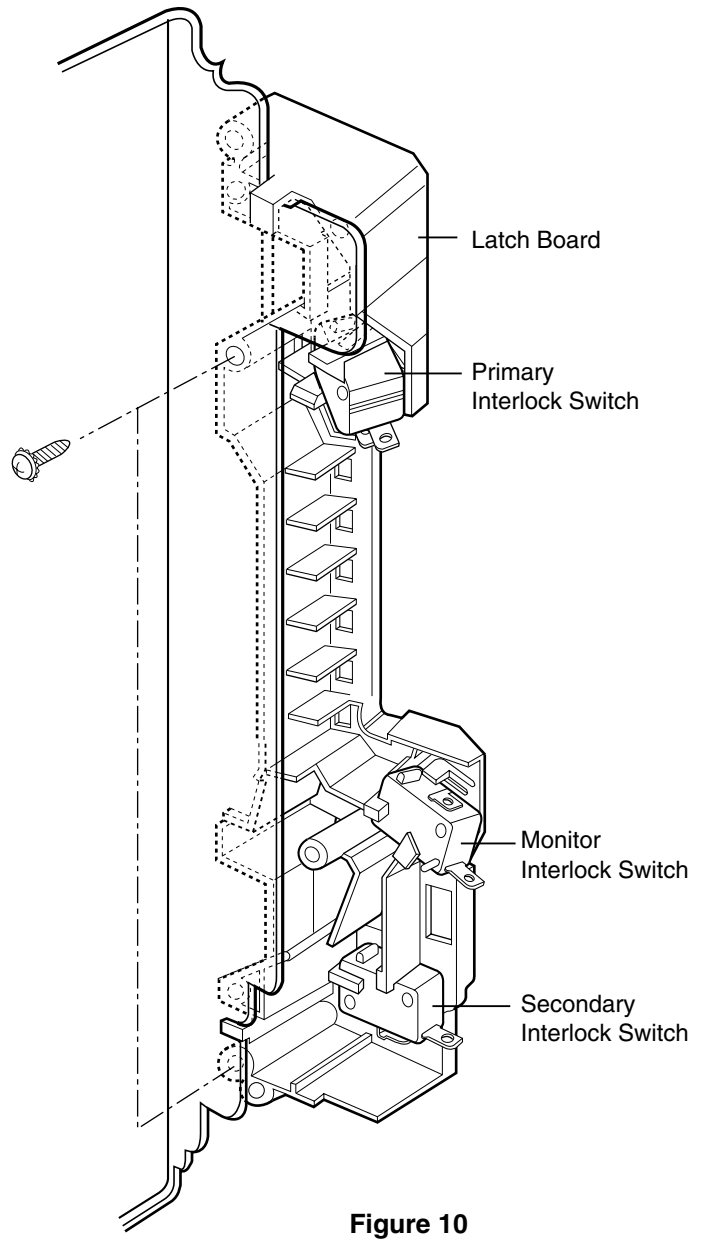


Figure 10

## D. REMOVING MAGNETRON

(Figures 11 Through 13b)

- (1) Remove the vent grille by loosening two screws. (Figure 11)
- (2) Remove the outside case. See page 7-6.
- (3) Remove four tap tite screws securing the magnetron to the wave guide.
- (4) Disconnect the leadwire.
- (5) Remove the magnetron VERY CAREFULLY.

### NOTES:

- When removing the magnetron, make sure that its dome does not hit any adjacent parts, or it may be damaged.
- When replacing the magnetron, be sure to install the magnetron gasket in the correct position and be sure that the gasket is in good condition.
- After replacing the magnetron, check for microwave energy leakage with a survey meter. Check microwave energy leakage must be below the limit of 5 mW/cm<sup>2</sup>. (All service adjustments should be made for minimum microwave energy leakage readings.)

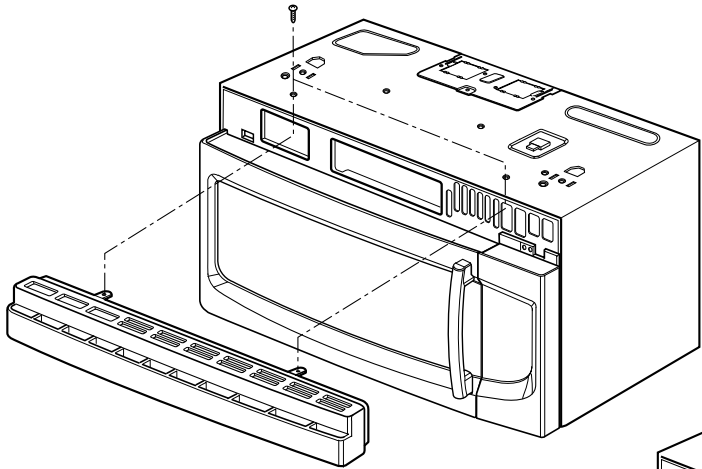


Figure 11

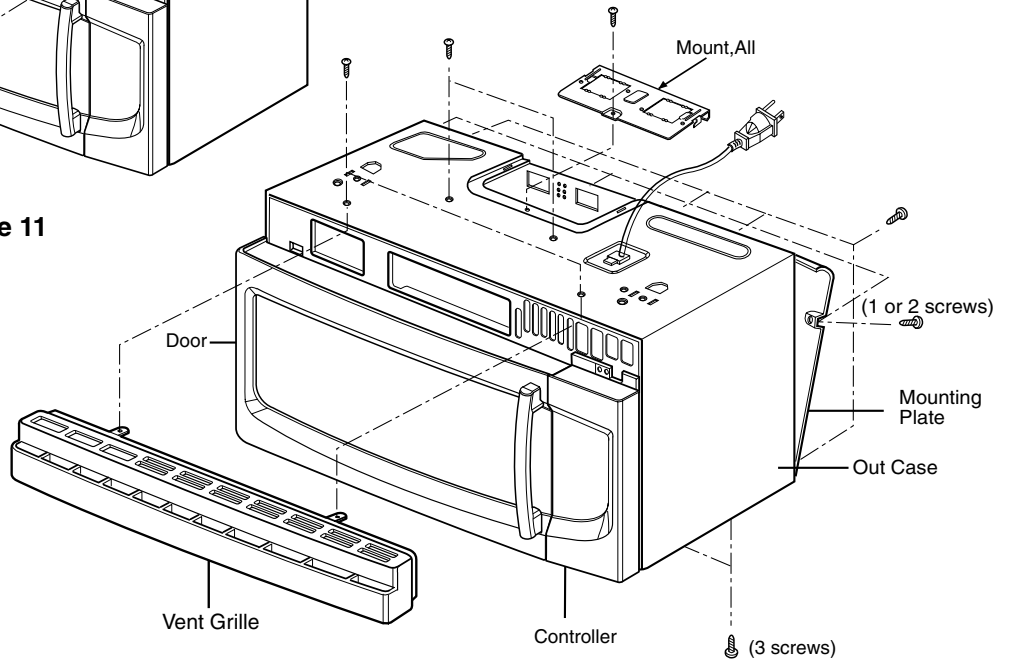


Figure 12

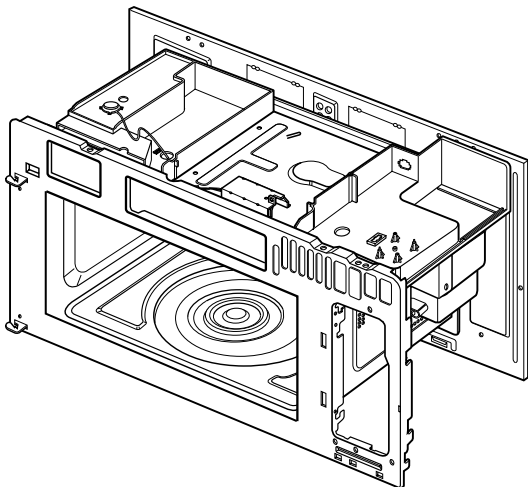


Figure 13-a

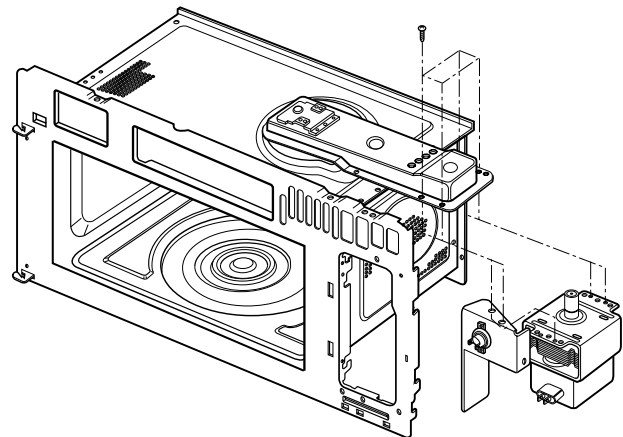


Figure 13-b

## E. REMOVING STIRRER FAN

(Figures 14 and 15)

- (1) Remove two screws securing it to the oven upper plate by using drive screw.
- (2) Rotate slightly and pull out the stirrer fan cover.
- (3) Remove the stirrer fan.

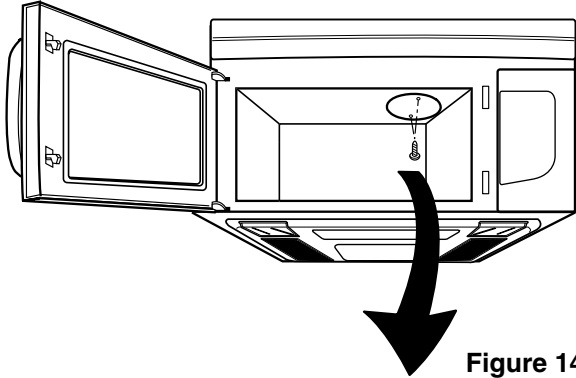


Figure 14

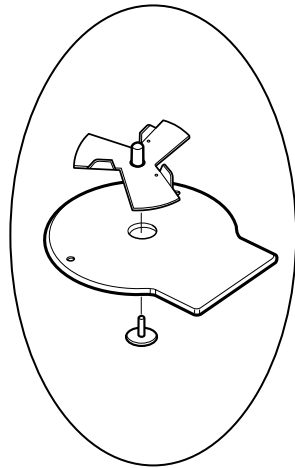


Figure 15

## F. REMOVING DOOR (Figure 16)

- (1) Remove the vent grille by removing two screws securing it to the outside case loosening.
- (2) Lift up and remove the door.

NOTES:

- After replacing the door, be sure to check that the primary interlock switch, the secondary interlock switch and the interlock monitor switch is in good operating normally.
- After replacing the door, check for microwave energy leakage with a survey meter. Microwave energy leakage must be below the limit of  $5\text{mW}/\text{cm}^2$ . (With a 275 ml water load)

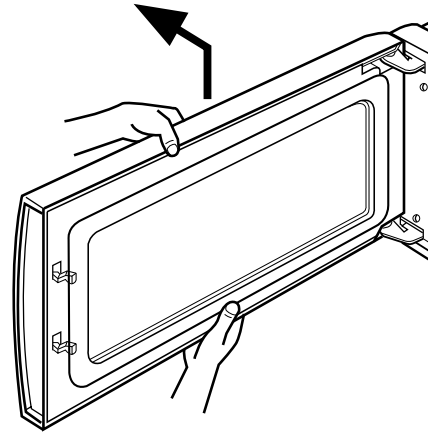


Figure 18

## G. DISASSEMBLING DOOR (Figure 17)

- (1) Remove the dielectric choke by using knife blade or small screw driver, etc.
- (2) Remove two screws securing it to the door handle.

**CAUTION: Be careful not to damage door seal plate with the screwdriver.**

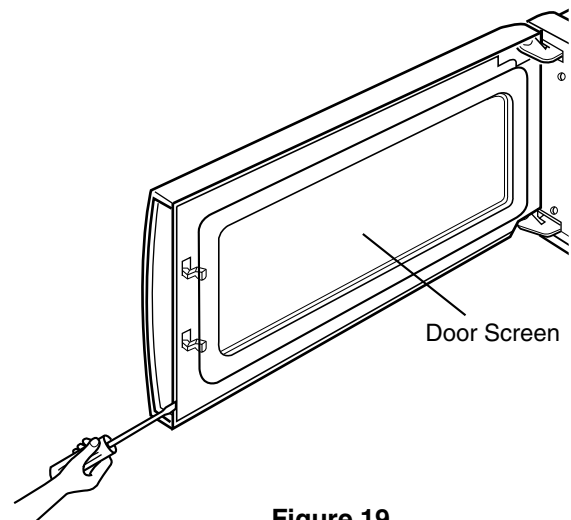
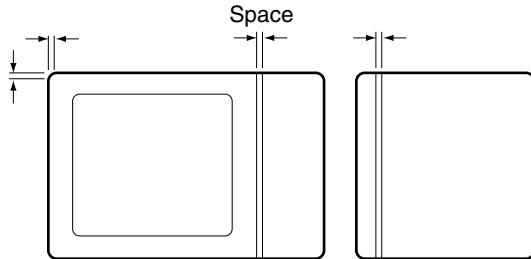


Figure 19

## H. ASSEMBLING DOOR

- (1) When mounting the door assembly to the oven assembly, be sure to adjust the door assembly parallel to the chassis. Also adjust so the door has no play between the inner door surface and oven frame assembly. If the door assembly is not mounted properly, microwaves may leak from the clearance between the door and the oven.



## I. REMOVING THE VENTILATION MOTOR

- (1) Remove the mounting plate by loosening mounting plate screws (1 or 2 screws) securing it to the back plate. (See Figure 18)
- (2) Remove MOUNT, ALL by loosening one screw securing the ventilation Motor and back plate. (See Figure 19-a)
- (3) Carefully pull the ventilation motor ASS'Y out of the microwave oven. (See Figure 19-b)

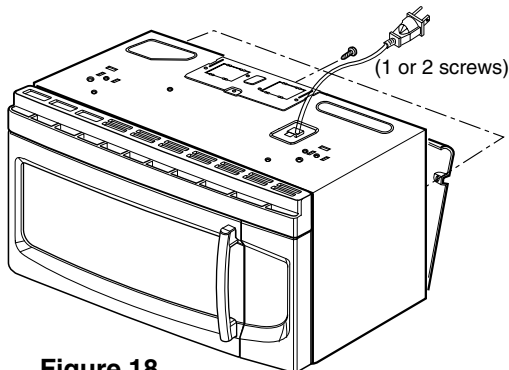


Figure 18

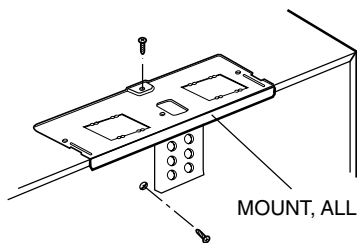


Figure 19-a

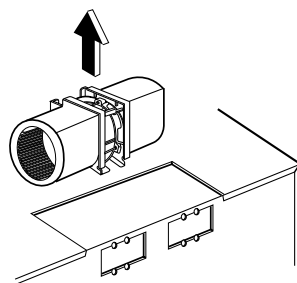


Figure 19-b

## J. REPLACING THE HUMIDITY SENSOR

(For sensor model only)

- (1) Remove the sensor by removing two screws securing it to the air duct. (See Figure 19-c).
- (2) Mount the new humidity sensor to the air duct.

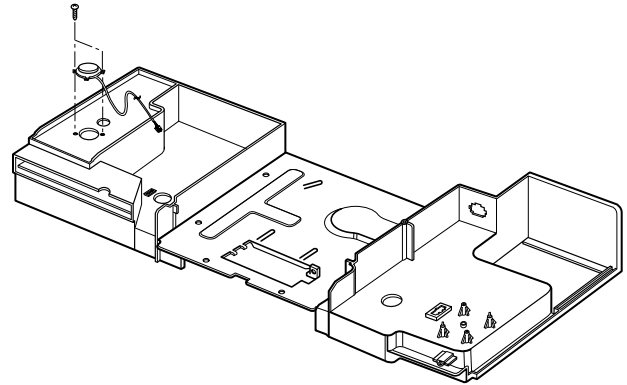


Figure 19-c

## K. REMOVING THE TURNTABLE MOTOR

- (1) Remove the turntable.
- (2) Remove the turntable shaft **VERY CAREFULLY** with a slotted screwdriver. (Figure 21)
- (3) Remove the base plate by removing 7 screws securing it to the oven cavity. (Figure 22-a)
- (4) Disconnect the leadwire from the turntable motor terminals.
- (5) Remove the 2 screws securing the turntable motor to the oven cavity ASS'Y. (Figure 22-b)

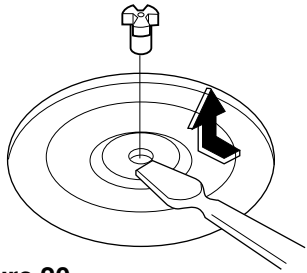


Figure 20

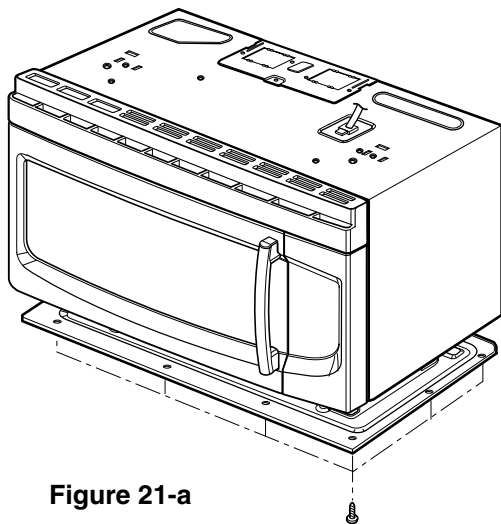


Figure 21-a

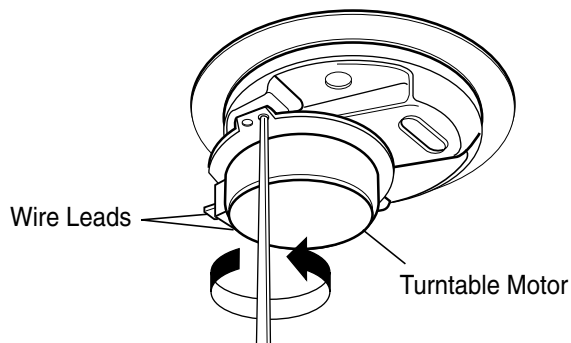


Figure 22-b

### NOTES:

- Remove the leadwire from the turntable motor **VERY CAREFULLY**.
- Be sure to grasp the connector not the wires when removing.

## L. REMOVING CONVECTION HEATER AND THERMISTOR (Figure 23)

- (1) Remove the out case.
- (2) Remove the air duct by removing six screws securing it to the oven front plate, guide air and glasswool-L cover.
- (3) Disconnect the wire leads of air duct.
- (4) Remove the magnetron.
- (5) Remove the latch board assembly.
- (6) Remove the bottom plate by removing four screws.
- (7) Remove the four net screws securing chamber assembly.
- (8) Lift the chamber assembly from the oven cavity.
- (9) Remove three screws securing the heater of the chamber assembly.
- (10) Lift the convection heater from the chamber assembly.

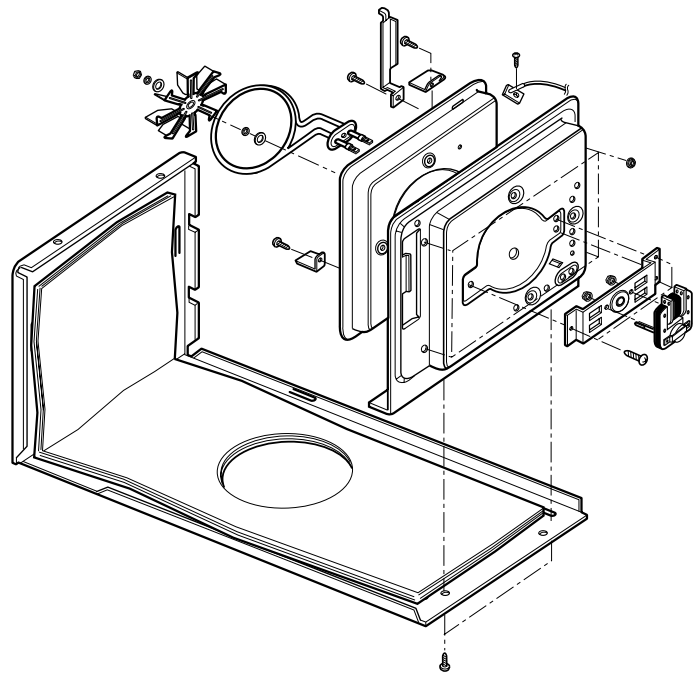


Figure 23

# INTERLOCK SYSTEM

## INTERLOCK MECHANISM

The door lock mechanism is a device which has been specially designed to eliminate microwave activity when the door is opened during cooking and thus to prevent the danger resulting from the microwave leakage.

### ADJUSTMENT PROCEDURES

To avoid possible exposure to microwave energy leakage, adjust the door latches and interlock switches, using the following procedure.

The Interlock Monitor and Primary Interlock Switch act as the final safety switch protecting the user from microwave energy. The terminals between "COM" and "NC" of the Interlock Monitor must close when the door is opened. After adjusting the Interlock Monitor Switch, make sure that it is correctly connected. Mounting of the primary/monitor/secondary switches to the latch board.

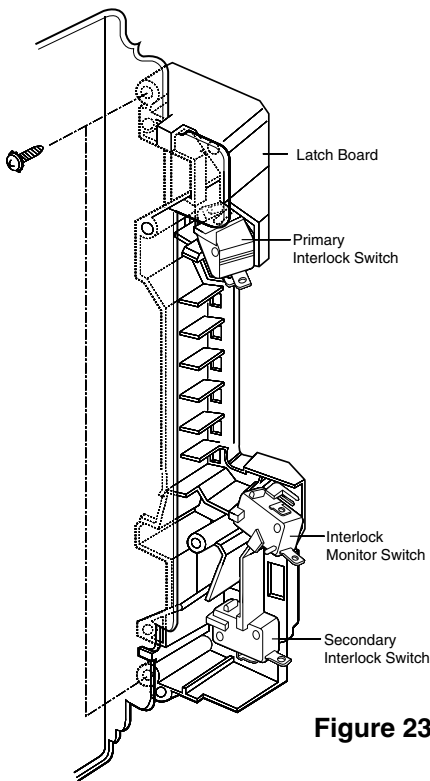


Figure 23-a

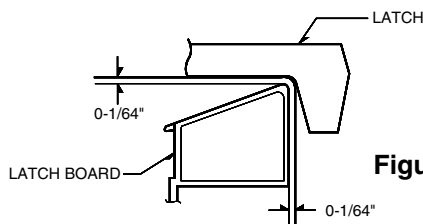


Figure 23-b

### CHECK THE DOOR LATCH AND SWITCH CLOSING.

#### NOTE:

The outer cover of the microwave oven is removed.

- (1) Set the microwave oven on its side so that you can see the latch board and the switches, as shown in Figure 23-a.
- (2) Close the door tightly and check gaps A and B to be sure they are no more than 1/64" (0.5 mm). See Figure 23-b for close-up view of gaps A and B (door latches). If all gaps are less than 1/64" (0.5 mm), adjustment of the latch board may not be necessary. Go to Steps 5 and 6 to check the sequence of the switches.

#### NOTE:

**If any gap is larger than 1/64" (0.5 mm), you will need to adjust the latch board". Go to step 3 and follow all steps in order.**

### ADJUST THE LATCH AND SWITCH CLOSING

- (3) Loosen the two screws holding the plastic latch board as shown.
- (4) With the oven door closed tightly, move the latch board upward toward the top of the oven and/or away from the door latch until the gaps are less than 1/64" (0.5 mm). Hold the latch board tightly in this position until you check the sequence of the switches in steps 5 and 6.

## TEST THE LATCH AND SWITCH SEQUENCE

- (5) Open the oven door slowly. Watch the door latch, the Secondary Switch. Release Rod and Lever on the switches to make sure they are zero to the body of the switches in the following sequence:

- Primary Interlock Switch
- Secondary Interlock Switch
- Interlock Monitor Switch

Adjust the latch board until the switches operate in this sequence. See Steps 3 and 4.

- (6) Close the oven door slowly and be sure it is tightly closed. Watch the three switches to make sure they are zero to the body of the switches in the following sequence:

- Interlock Monitor Switch
- Primary Interlock Switch
- Secondary Interlock Switch

**NOTE:** The Interlock Monitor Switch is an added safety check on the Primary and Secondary Interlock Switches. If the Primary and Secondary Interlock Switches allow the oven to operate with the door open, the Monitor Switch will blow the fuse.

- (7) When you achieve the proper sequence of switches in Steps 5 and 6, tighten the latch board screws at that point.

## TEST THE MICROWAVE ENERGY LEAKAGE

Make sure the microwave energy leakage is below the limit of  $1\text{mW}/\text{cm}^2$  (with a 275 ml water load) and  $5\text{mW}/\text{cm}^2$  (with a 275 ml water load without the cabinet) when measured with a survey meter.



# INTERLOCK CONTINUITY TEST

## A. PRIMARY INTERLOCK SWITCH TEST

When the door is opened slowly, an audible **click** should be heard at the same time or successively at intervals and the latches should activate the switches with an audible **click**

If the latches do not activate the switches when the door is closed, the switches should be adjusted in accordance with the adjustment procedure.

Disconnect the wire lead from the primary switch. Connect the ohmmeter leads to the common (COM) and normally open (NO) terminal of the switch. The meter should indicate an open circuit in the door open condition.

When the door is closed, the meter should indicate a closed circuit.

When the primary switch operation is abnormal, make the necessary adjustment or replace the switch only with the same type of switch.

## B. SECONDARY INTERLOCK SWITCH TEST

Disconnect the wire lead from the secondary switch.

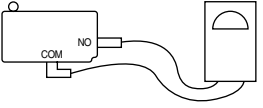


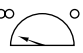


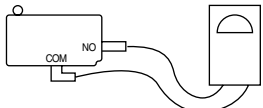

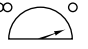
Connect the ohmmeter leads to the common (COM) and normally open (NO) terminals of the switch. The meter should indicate an open circuit in the door open condition. When the door is closed, meter should indicate a closed circuit. When the secondary switch operation is abnormal, make the necessary adjustment or replace the switch only with the same type of switch.

## C. MONITOR SWITCH TEST

Disconnect the wire lead from the monitor switch.

Connect the ohmmeter leads to the common (COM) and normally closed (NC) terminals of the switch. The meter should indicate closed circuit in the door open condition. When the door is closed, meter should indicate an open circuit. When the monitor switch operation is abnormal, replace with the same type of switch.

**NOTE: After repairing the door or the interlock system, it is necessary to do this continuity test before operating the oven.**

COMPONENTS	TEST PROCEDURE		RESULTS	
SWITCHES (Wire leads removed)	Check for continuity of the switch with an Ohm-meter		Door open	Door closed
	Primary Switch			
	Monitor Switch			
	Secondary Switch			
NOTE : After checking for the continuity of switches, make sure that they are connected correctly.				

**WARNING : FOR CONTINUED PROTECTION AGAINST EXCESSIVE RADIATION EMISSION, REPLACE ONLY WITH IDENTICAL REPLACEMENT PARTS.**

TYPE NO.SZM-V16-FA-63 OR VP-533A-OF OR V-5230Q FOR PRIMARY SWITCH

TYPE NO.SZM-V16-FA-62 OR VP-532A-OF OR V-5220Q FOR MONITOR SWITCH

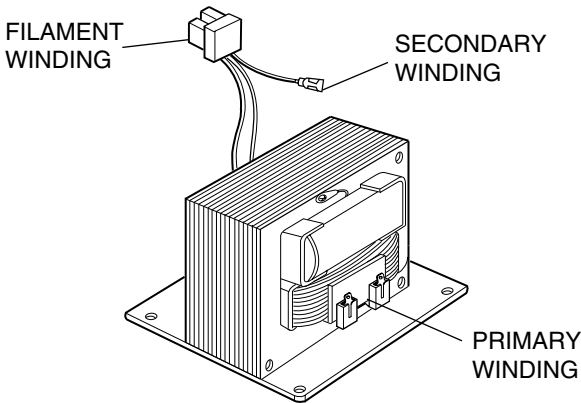
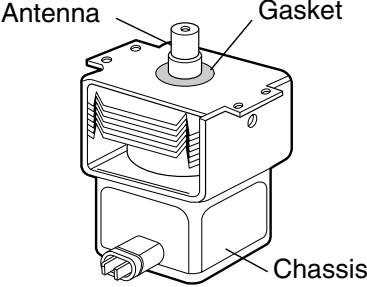
TYPE NO.SZM-V16-FA-63 OR VP-533A-OF OR V-5230Q FOR SECONDARY SWITCH

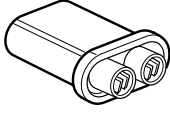


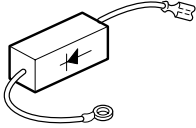
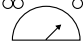
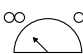
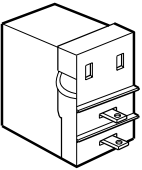






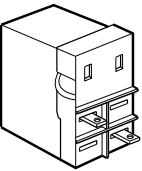
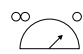
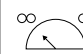
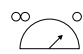
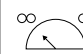
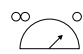
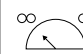
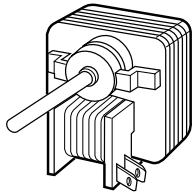
# TEST AND CHECKOUT PROCEDURES AND TROUBLESHOOTING

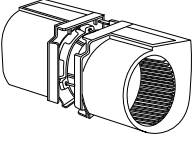
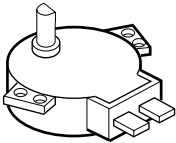
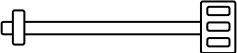
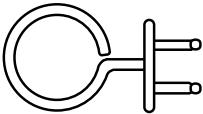
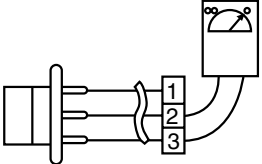
## CAUTIONS

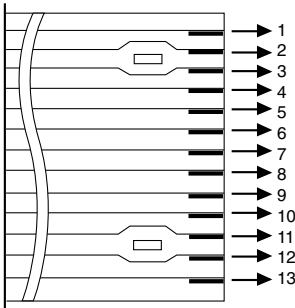
1. DISCONNECT THE POWER SUPPLY CORD FROM THE OUTLET WHENEVER REMOVING THE OUTER CASE FROM THE UNIT. PROCEED WITH THE TEST ONLY AFTER DISCHARGING THE HIGH VOLTAGE CAPACITOR AND REMOVING THE LEAD WIRES FROM THE PRIMARY WINDING OF THE HIGH VOLTAGE TRANSFORMER.
2. ALL OPERATIONAL CHECKS WITH MICROWAVE ENERGY MUST BE DONE WITH A LOAD (1 LITER OF WATER IN CONTAINER) IN THE OVEN.

## A. TEST PROCEDURES

COMPONENTS	TEST	RESULTS
<p><b>TRANSFORMER</b></p>	 <p>1. Remove wire leads.</p> <p>2. Measure resistance. (ohm meter scale: Rx1)</p> <ul style="list-style-type: none"> <li>• Primary winding</li> <li>• Secondary winding</li> <li>• Filament winding</li> </ul> <p>3. Measure resistance. (ohm meter scale: Rx1000)</p> <ul style="list-style-type: none"> <li>• Primary winding to ground</li> <li>• Filament winding to ground</li> </ul>	<p>Approx. 0.3 to 0.5 ohms Approx. 65 to 120 ohms 0 ohm</p> <p>Normal: Infinite Normal: Infinite</p>
<p><b>MAGNETRON</b></p>	 <p>1. Remove wire leads. Install the magnetron seal in the correct position. Check that the seal is in good condition.</p> <p>2. Measure resistance. (ohm meter scale: Rx1)</p> <ul style="list-style-type: none"> <li>• Filament terminal</li> </ul> <p>3. Measure resistance. (ohm meter scale: Rx1000)</p> <ul style="list-style-type: none"> <li>• Filament to chassis</li> </ul>	<p>Normal: Less than 1 ohm</p> <p>Normal: Infinite</p>

COMPONENTS	TEST	RESULTS																																	
<p><b>CAPACITOR</b></p> 	<ol style="list-style-type: none"> <li>1. Remove wire leads.</li> <li>2. Measure resistance. (ohm meter scale: Rx1000) <ul style="list-style-type: none"> <li>• Terminal to terminal</li> <li>• Terminal to case</li> </ul> </li> </ol>	<p>Normal: Momently indicates  several ohm, and then gradually returns to infinite Normal: Infinite. </p>																																	
<p><b>DIODE</b> Some inexpensive meters may indicate infinite resistance in both directions.</p> 	<ol style="list-style-type: none"> <li>1. Measure continuity. Forward. (ohm meter scale: Rx1000)</li> <li>2. Measure continuity. Reverse. (ohm meter scale: Rx1000)</li> </ol>	<p>Normal: Continuity. Abnormal: Infinite. </p> <p>Normal: Infinite. Abnormal: Continuity. </p>																																	
<p><b>RELAY 8</b></p> 	<ol style="list-style-type: none"> <li>1. Measure continuity. (ohm meter scale: Rx1)</li> <li>2. Remove the lead wires and operate oven at power level 1 through power level 10.</li> </ol>	<table border="1"> <thead> <tr> <th>Power Level</th> <th></th> <th></th> </tr> </thead> <tbody> <tr><td>1</td><td>4 Sec</td><td>18 Sec</td></tr> <tr><td>2</td><td>6 Sec</td><td>16 Sec</td></tr> <tr><td>3</td><td>8 Sec</td><td>14 Sec</td></tr> <tr><td>4</td><td>10 Sec</td><td>12 Sec</td></tr> <tr><td>5</td><td>12 Sec</td><td>10 Sec</td></tr> <tr><td>6</td><td>14 Sec</td><td>8 Sec</td></tr> <tr><td>7</td><td>16 Sec</td><td>6 Sec</td></tr> <tr><td>8</td><td>18 Sec</td><td>4 Sec</td></tr> <tr><td>9</td><td>20 Sec</td><td>2 Sec</td></tr> <tr><td>10</td><td>22 Sec</td><td>0 Sec</td></tr> </tbody> </table>	Power Level			1	4 Sec	18 Sec	2	6 Sec	16 Sec	3	8 Sec	14 Sec	4	10 Sec	12 Sec	5	12 Sec	10 Sec	6	14 Sec	8 Sec	7	16 Sec	6 Sec	8	18 Sec	4 Sec	9	20 Sec	2 Sec	10	22 Sec	0 Sec
Power Level																																			
1	4 Sec	18 Sec																																	
2	6 Sec	16 Sec																																	
3	8 Sec	14 Sec																																	
4	10 Sec	12 Sec																																	
5	12 Sec	10 Sec																																	
6	14 Sec	8 Sec																																	
7	16 Sec	6 Sec																																	
8	18 Sec	4 Sec																																	
9	20 Sec	2 Sec																																	
10	22 Sec	0 Sec																																	
<p><b>RELAY 10</b></p> 	<ol style="list-style-type: none"> <li>1. Measure continuity. (ohm meter scale: Rx1)</li> <li>2. Remove the lead wires and operate oven at Convection Cooking.</li> </ol>	<table border="1"> <tr> <td>Convection Cooking Start</td> <td>OFF</td> </tr> <tr> <td></td> <td></td> </tr> </table>	Convection Cooking Start	OFF																															
Convection Cooking Start	OFF																																		
																																			
<p><b>FAN MOTOR CIRCULATION MOTOR</b></p> 	<ol style="list-style-type: none"> <li>1. Remove wire leads.</li> <li>2. Measure resistance. (ohm meter scale: Rx1)</li> </ol>	<p>Normal: Approximately</p> <table border="1"> <thead> <tr> <th>Fan</th> <th>Cir</th> </tr> </thead> <tbody> <tr> <td>35-55 ohm</td> <td>25-40 ohm</td> </tr> </tbody> </table> <p>ohm Abnormal: Infinite or several.</p>	Fan	Cir	35-55 ohm	25-40 ohm																													
Fan	Cir																																		
35-55 ohm	25-40 ohm																																		

COMPONENTS	TEST	RESULTS						
<p><b>VENTILATION MOTOR</b></p> 	<ol style="list-style-type: none"> <li>1. Remove wire leads.</li> <li>2. Measure resistance. (ohm meter scale: Rx1)</li> </ol>	<p>Normal: Approximately 25 to 45 ohm</p>						
<p><b>DAMPER MOTOR (D.M) TURNTABLE MOTOR (T.M) STIRRER MOTOR (S.M)</b></p> 	<ol style="list-style-type: none"> <li>1. Remove wire leads.</li> <li>2. Measure resistance. (ohm meter scale: Rx1000)</li> </ol>	<p>Normal: Approximately</p> <table border="1" data-bbox="1182 555 1503 704"> <thead> <tr> <th>D.M</th> <th>T.M</th> <th>S.M</th> </tr> </thead> <tbody> <tr> <td>2.3-3.5 Kohm</td> <td>2.6-3.5 Kohm</td> <td>100-170 ohm</td> </tr> </tbody> </table> <p>Abnormal: Infinite or several.</p>	D.M	T.M	S.M	2.3-3.5 Kohm	2.6-3.5 Kohm	100-170 ohm
D.M	T.M	S.M						
2.3-3.5 Kohm	2.6-3.5 Kohm	100-170 ohm						
<p><b>THERMISTOR</b></p> 	<ol style="list-style-type: none"> <li>1. Remove the connector from PCB</li> <li>2. Measure resistance across pins 1 &amp; 3. (ohm meter scale: Rx1)</li> </ol>	<p>Normal: Approximately 250 to 350 Kohm at 68 ± 35°F</p> <p>Abnormal: Infinite or several.</p>						
<p><b>HEATER ELEMENT</b></p> 	<ol style="list-style-type: none"> <li>1. Remove wire leads.</li> <li>2. Measure resistance. (ohm meter scale: Rx1)</li> </ol>	<p>Normal: Approximately</p> <table border="1" data-bbox="1182 1136 1382 1285"> <tbody> <tr> <td>Conv. HTR</td> </tr> <tr> <td>15-25</td> </tr> </tbody> </table> <p>Abnormal: Infinite or several.</p>	Conv. HTR	15-25				
Conv. HTR								
15-25								
<p><b>SENSOR</b></p> 	<ol style="list-style-type: none"> <li>1. Remove the 3 pin connector from PCB.</li> <li>2. Measure resistance across pins 1 &amp; 2.</li> <li>3. Across pins 2 &amp; 3. (ohm meter scale: Rx1)</li> </ol>	<p>Normal: Approximately</p> <table border="1" data-bbox="1182 1502 1495 1651"> <thead> <tr> <th>1 &amp; 2</th> <th>2 &amp; 3</th> </tr> </thead> <tbody> <tr> <td>3.1 Kohm</td> <td>∞</td> </tr> </tbody> </table> <p>at 68 ± 35°F</p> <p>Abnormal: Infinite or several.</p>	1 & 2	2 & 3	3.1 Kohm	∞		
1 & 2	2 & 3							
3.1 Kohm	∞							

COMPONENTS	TEST	RESULTS																																																													
<p><b>TOUCH KEY BOARD</b></p>	<p>Measure the resistance between terminal pins of KEY CONNECTOR.</p> <p><b>NOTE:</b> When reconnecting the FPC connector, make sure that the holes on the FPC connector are properly engaged with hooks on the plastic fastener.</p> <p style="text-align: center;"><b>MATRIX CIRCUIT FOR TOUCH KEY BOARD</b></p> <p style="text-align: center;"><b>CONNECTOR(KEY CON)</b></p> <table border="1" style="margin-left: auto; margin-right: auto;"> <tr> <td></td> <td>1</td> <td>2</td> <td>3</td> <td>4</td> <td>5</td> <td>6</td> <td>7</td> </tr> <tr> <td>8</td> <td>N.C</td> <td>N.C</td> <td>CUSTOM COOK</td> <td>MICRO.</td> <td>CONV.</td> <td>N.C</td> <td>COMBI.</td> </tr> <tr> <td>9</td> <td>(VENT) ON/OFF</td> <td>(VENT) 5-SPEED</td> <td>LIGHT ON/OFF</td> <td>N.C</td> <td>AUTO TIME SET</td> <td>SOFTEN</td> <td>MELT</td> </tr> <tr> <td>10</td> <td>POPCORN</td> <td>COOK</td> <td>REHEAT</td> <td>AUTO DEFROST</td> <td>EZ-ON</td> <td>SPEED AUTO COMBI.</td> <td>N.C</td> </tr> <tr> <td>11</td> <td>CUSTOM SET</td> <td>AUTO COOK</td> <td>TURNTABLE ON/OFF</td> <td>TIMER</td> <td>CLOCK</td> <td>MORE</td> <td>LESS</td> </tr> <tr> <td>12</td> <td>POWER LEVEL</td> <td>N.C</td> <td>STOP/CLEAR</td> <td>START/ENTER</td> <td>8</td> <td>9</td> <td>0</td> </tr> <tr> <td>13</td> <td></td> <td></td> <td></td> <td></td> <td></td> <td></td> <td></td> </tr> </table>		1	2	3	4	5	6	7	8	N.C	N.C	CUSTOM COOK	MICRO.	CONV.	N.C	COMBI.	9	(VENT) ON/OFF	(VENT) 5-SPEED	LIGHT ON/OFF	N.C	AUTO TIME SET	SOFTEN	MELT	10	POPCORN	COOK	REHEAT	AUTO DEFROST	EZ-ON	SPEED AUTO COMBI.	N.C	11	CUSTOM SET	AUTO COOK	TURNTABLE ON/OFF	TIMER	CLOCK	MORE	LESS	12	POWER LEVEL	N.C	STOP/CLEAR	START/ENTER	8	9	0	13								<table border="1" style="width: 100%; text-align: center;"> <tr> <td rowspan="2">Resistance value</td> <td>When touched</td> <td>When not touched</td> </tr> <tr> <td>Less than 400 ohms</td> <td>More than 1 mega ohm</td> </tr> </table> <p style="text-align: center;"><b>FPC CONNECTOR Top</b></p> 	Resistance value	When touched	When not touched	Less than 400 ohms	More than 1 mega ohm
	1	2	3	4	5	6	7																																																								
8	N.C	N.C	CUSTOM COOK	MICRO.	CONV.	N.C	COMBI.																																																								
9	(VENT) ON/OFF	(VENT) 5-SPEED	LIGHT ON/OFF	N.C	AUTO TIME SET	SOFTEN	MELT																																																								
10	POPCORN	COOK	REHEAT	AUTO DEFROST	EZ-ON	SPEED AUTO COMBI.	N.C																																																								
11	CUSTOM SET	AUTO COOK	TURNTABLE ON/OFF	TIMER	CLOCK	MORE	LESS																																																								
12	POWER LEVEL	N.C	STOP/CLEAR	START/ENTER	8	9	0																																																								
13																																																															
Resistance value	When touched	When not touched																																																													
	Less than 400 ohms	More than 1 mega ohm																																																													

**NOTES:**

- A MICROWAVE ENERGY TEST MUST ALWAYS BE PERFORMED WHEN THE UNIT IS SERVICED FOR ANY REASON.
- MAKE SURE THE WIRE LEADS ARE IN THE CORRECT POSITION.
- WHEN REMOVING THE WIRE LEADS FROM THE PARTS, BE SURE TO GRASP THE CONNECTOR, NOT THE WIRES.

## B. CHECKOUT PROCEDURES

### (1) CHECKOUT PROCEDURES FOR FUSE BLOWING

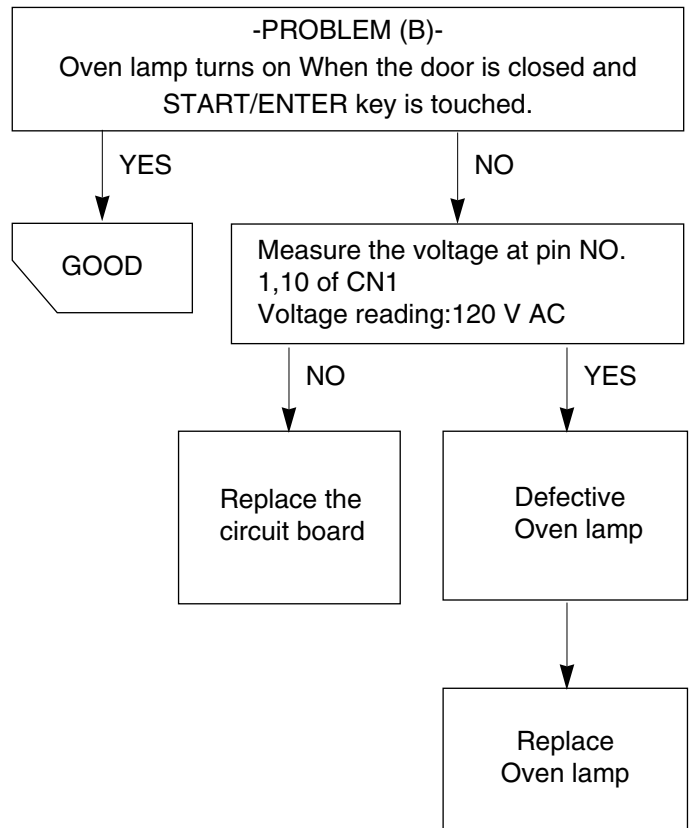
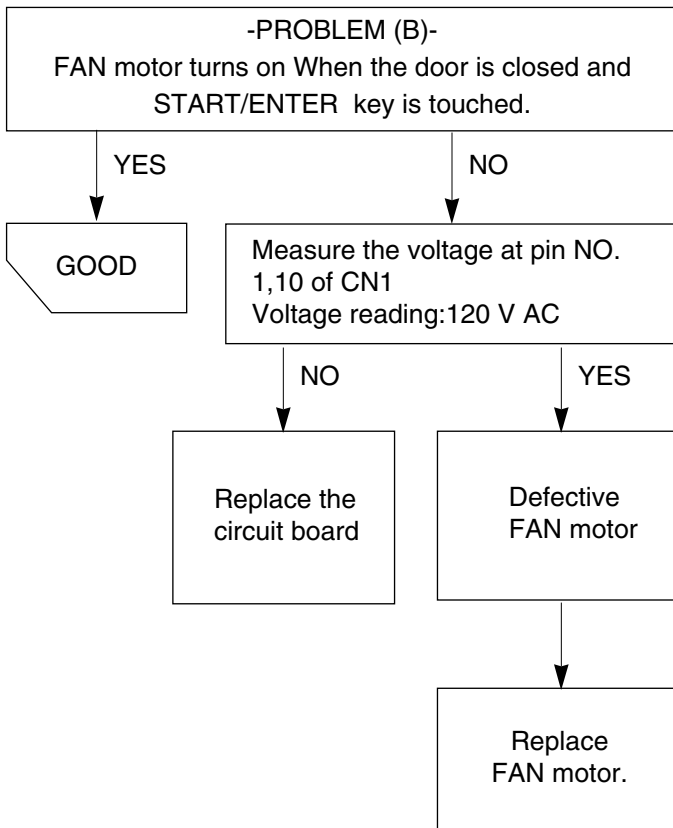
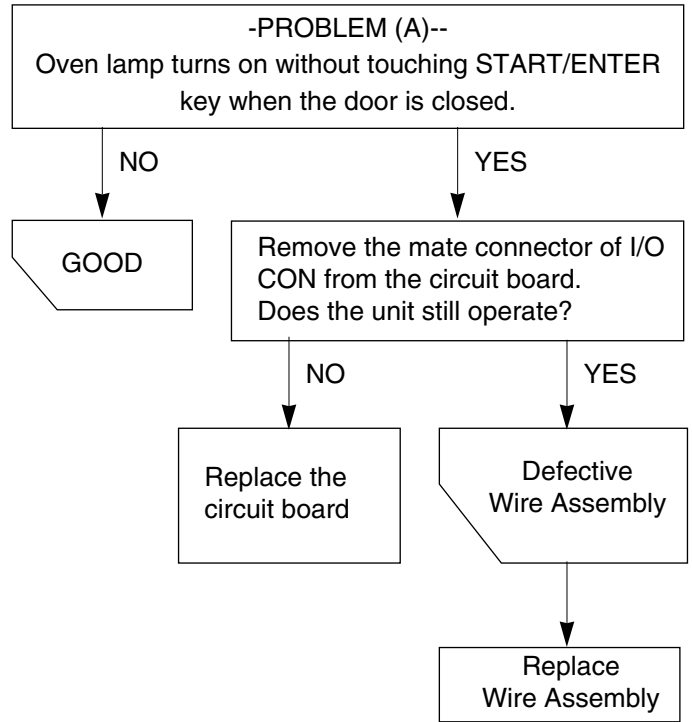
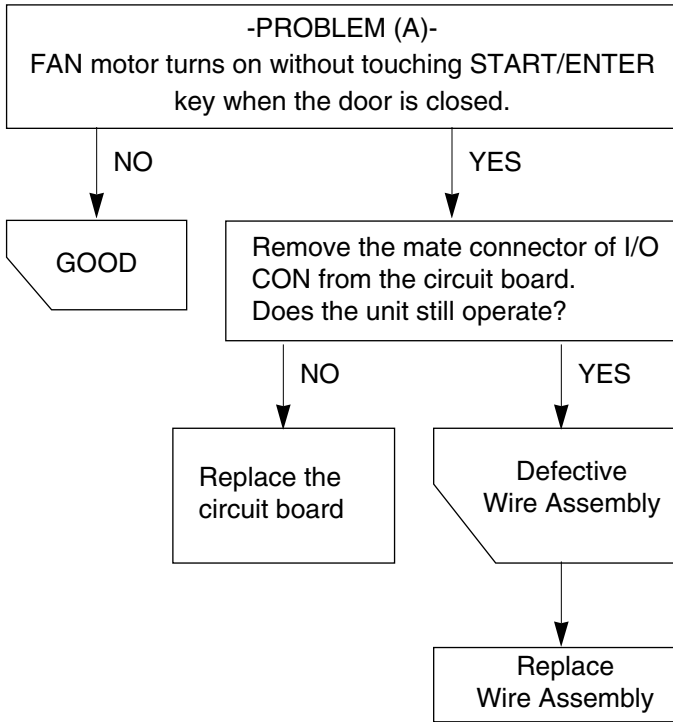
**CAUTION:** REPLACE BLOWN FUSE WITH 20 AMPERE FUSE.

PROBLEMS	CAUSES
Fuse blows immediately after the door is closed.	Improper operation of the primary interlock, secondary interlock switches and/or the interlock monitor switch.
Fuse blows immediately after the door is opened.	
Fuse blows when the door is closed and START/ENTER key is touched.	Malfunction of the high voltage transformer; the high voltage capacitor including the diode, the magnetron, the blower motor or the circuit board.

#### NOTES:

- If the fuse is blown by an improper switch operation, replace all switches and the fuse at the same time. After replacing the defective switches with new ones, make sure that they are correctly connected.
- Check for microwave energy leakage according to INTERLOCK ADJUSTMENT PROCEDURES on page 7-12 when the primary interlock, secondary interlock switches and/or the interlock monitor switches are adjusted or replaced.

(2)CHECKOUT PROCEDURES FOR RELAY.



(3) CHECKOUT PROCEDURES FOR CIRCUIT BOARD

The following symptoms indicate a defective circuit board.

- 1) The start function fails to operate but the high voltage Systems, the interlock switches, the door sensing and the relay check good.
- 2) The unit with a normal relay continuously operates.
- 3) Proper temperature measurement is not obtained.
- 4) The buzzer does not sound or continues to sound.
- 5) Some segments of one or more digits do not light up, or they continue to light up, or segments light when they should not.
- 6) Wrong figures appear.
- 7) The figures of all digits.
- 8) Some of the indicators do no flicker light up.
- 9) The clock does not keep time properly.

**NOTE:** A MICROWAVE ENERGY LEAKAGE TEST MUST ALWAYS BE PERFORMED WHEN THE UNIT IS SERVICED FOR ANY REASON.

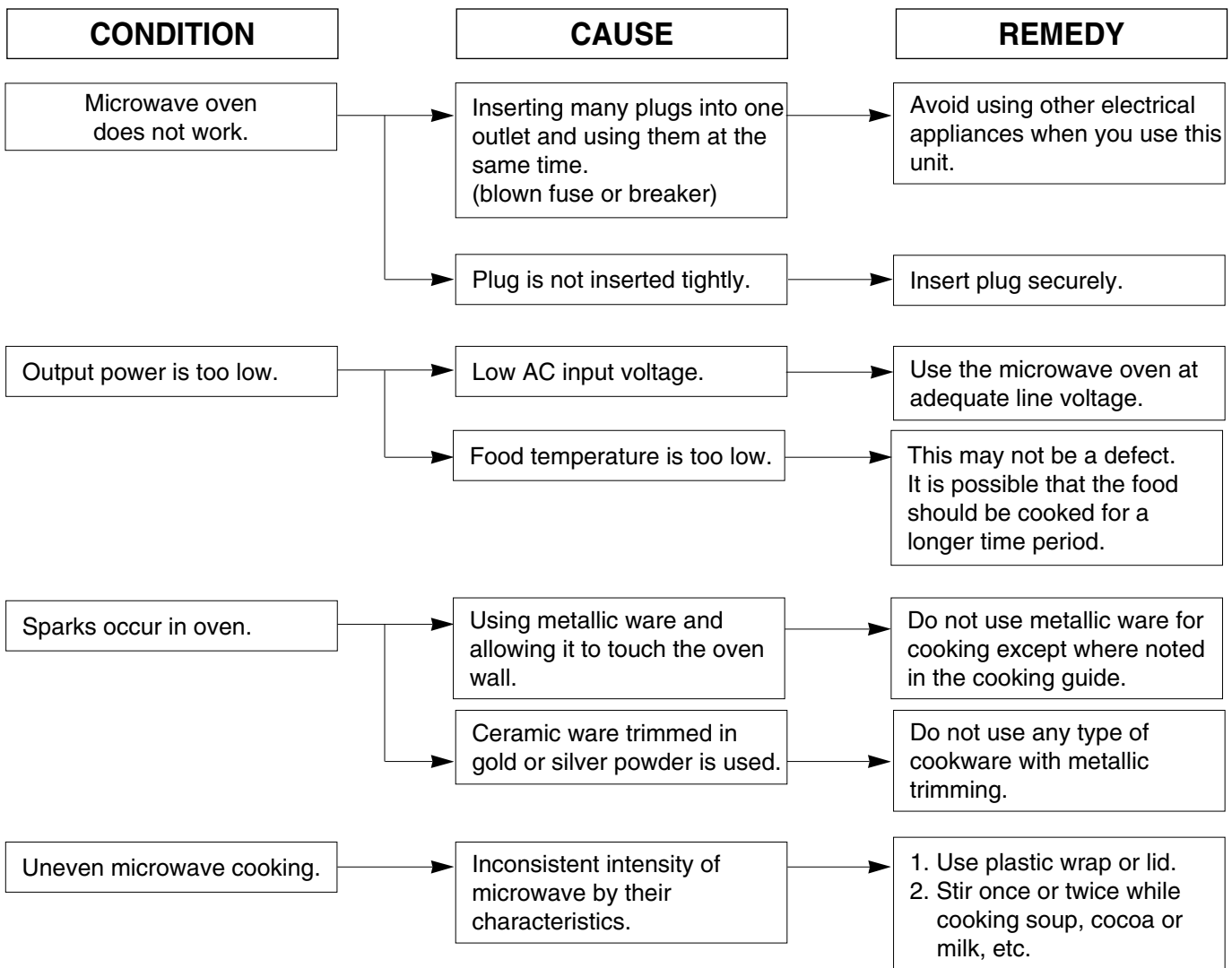


## C. TROUBLE SHOOTING

WHEN YOU GET A COMPLAINT FROM YOUR CUSTOMER, EVALUATE THE COMPLAINT CAREFULLY. IF THE FOLLOWING SYMPTOMS APPLY, PLEASE INSTRUCT THE CUSTOMER IN THE PROPER USE OF THE TOASTER AND MICROWAVE OVEN. THIS CAN ELIMINATE AN UNNECESSARY SERVICE CALL.

### CAUTIONS

1. Check grounding and cool this unit before checking for trouble.
2. Be careful of the high voltage circuit.
3. Discharge the high voltage capacitor.
4. When checking the continuity of the switches or of the high voltage transformer, disconnect one lead wire from these parts and then check continuity with the AC plug removed. To do otherwise may result in a false reading or damage to your meter.
5. Do not touch any part of the circuit on the PCB since static electric discharge may damage this control panel. Always touch yourself to ground while working on this panel to discharge any static charge built up in your body. (Micom model only)



**(TROUBLE 1) The following visual conditions indicate a probable defective control circuit.**

1. Incomplete segments.
  - Segment missing.
  - Partial segment missing.
  - Digit flickering (NOTE: Slight flickering is normal.)
2. Colon does not turn on or blink.
3. A distinct change in the brightness of one or more numbers in display.
4. One or more digits in the display are not lighting.
5. Display indicates a number different from one touched, for example, key in **5** and **3** appears in the display.
6. Specific numbers (for example 7 or 9) will not display when key pad is touched.
7. Display does not count down with time blinking or up with clock operation.
8. Display obviously jumps in time while counting down.
9. Display counts down too fast while cooking.
10. Each indicator light does not turn on after setting cooking cycle.
11. Display time of day does not reappear when cooking is finished.

CONDITION	CHECK	RESULT	CAUSE	REMEDY
1. No input can be programmed.	Check the connection between membrane key assembly and PCB assembly.	Continuity.	Defective PCB assembly.	Replace PCB assembly.
		No continuity.	Loose connection.	Connect them tightly.
2. Some inputs cannot be programmed.	Replace key membrane assembly and check operation.	Everything works as specified.	Defective key membrane assembly.	Replace key membrane assembly.
3. Display shows a number or figure different from one touched.		Still have trouble.	Defective PCB assembly.	Replace PCB assembly.
4. Random programming when touching other pads.				
5. Display is fixed at some figure and can not accept any input.				

**(TROUBLE 2) Microwave oven does not operate at all, Display window does not display any figures, and no input is accepted.**

CONDITION	CHECK	RESULT	CAUSE	REMEDY	
1. Fuse blows.	Check continuity of monitor switch (with door closed).	Continuity.	Malfunction of the monitor switch.	Replace fuse, primary, monitor switches, and RELAY(RY8) of P.C.B Assembly.	
		No continuity.			
	Replace fuse				
	Check continuity of primary switch (with door opened).	Continuity.	Shorted contact at the primary switch.		
		No continuity.			
	Disconnect one side of the wire lead connected from transformer to the high voltage capacitor and operate the unit.	Normal.	Defective high voltage capacitor.		Replace high voltage capacitor.
Fuse blows again		Defective high voltage transformer.	Replace high voltage transformer.		
2. Fuse does not blow.	Check continuity of magnetron thermostat.	No continuity.	Defective thermostat.	Replace thermostat.	
		Continuity.			
	Check continuity of power supply cord.	No continuity.	Defective power supply cord.	Replace power supply cord.	

**(TROUBLE 3) Display shows all figures set, but oven does not start cooking while desired program times are set and START/ENTER pad is touched.**

CONDITION	CHECK	RESULT	CAUSE	REMEDY
1. Setting time does not count down when touching START/ENTER pad.	Check continuity of secondary switch (with door closed).	No continuity.	Defective secondary switch.	Replace secondary switch.
		Continuity.		
	Check the connection between CN1 connector and PCB assembly.	No continuity.	Defective P.C.B assembly.	Replace P.C.B assembly.
		Continuity.	Loose connection.	Connection then tightly.
2. Fan motor or oven lamp do not turn on.	Check fan motor.	Abnormal.	Defective fan motor.	Replace fan motor.
		Abnormal.	Defective oven lamp.	Replace oven lamp.
	Check oven lamp.	Normal.		

**(TROUBLE 4) Oven seems to be operation but little heat is produced in oven load.**

CONDITION	CHECK	RESULT	CAUSE	REMEDY
Output is low.	Check the power source voltage.	Lower than 90% of rating voltage.	Decrease in power source voltage with load.	Suggest customer contact local electric power utility co. or qualified electrician.
		Normal.		
	Disconnect the wire leads from relay 8 and check on and off time with multimeter.	Abnormal.	Defective P.C.B assembly.	Replace P.C.B assembly.
		Normal.		
	Measure the output power.	Abnormal.	Defective magnetron.	Replace magnetron.

**NOTE :** Simple test of power output-conducted by heating one liter water for one min. if available. Minimum 8.5°C temperature rise is normal condition.

**(TROUBLE 5) No microwave oscillation even though oven lamp and fan motor run  
(Display operates properly)**

CONDITION	CHECK	RESULT	CAUSE	REMEDY
No microwave oscillation.	Disconnect the wire leads from relay 8 and check continuity of relay 8. (Operate the unit)	No continuity.	Defective P.C.B assembly	Replace P.C.B assembly
		Continuity.		
	Check high voltage transformer	Abnormal	Defective high voltage transformer.	Replace high voltage transformer .
		normal		
	Check high voltage capacitor.	Abnormal	Defective high voltage capacitor.	Replace high voltage capacitor.
	normal			
Check high voltage diode.	Abnormal	Defective high voltage Diode.	Replace high voltage Diode.	
	normal			
Check Magnetron.	Abnormal	Defective magnetron.	Replace magnetron .	

- NOTE: \* Make sure the wire leads are in the correct position.  
 \* When removing the wire leads from parts be sure to grasp the connector not the wires.  
 \* When removing the magnetron, be sure to install the magnetron gasket in the correct position and in good condition.

Output is full power when you set lower power level.	Disconnect the wire leads from relay 8 and check continuity relay 8. (Operate the unit)	Abnormal.	Defective PCB assembly.	Replace PCB assembly.
--	---	-----------	-------------------------	-----------------------

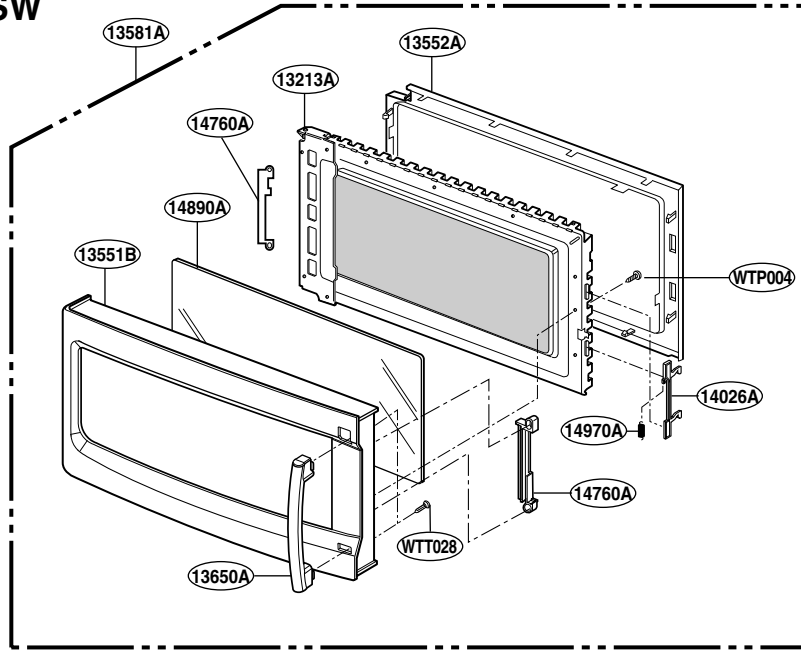
**(TROUBLE 6) Convection oven does not operate at all or convection cook is bad.**

CONDITION	CHECK	RESULT	CAUSE	REMEDY
Convection indicator light but oven does not go into cook cycle when START/ENTER pad is touched.	Check the Relay 10 of P.C.B. assembly.	Abnormal.	Defective Relay 10.	Replace Relay 10.
		Normal.		
	Check the connection between P.C.B. assembly and headwire connector.	No continuity.	Loose connection.	Connect them tightly.
Temperature in the oven cavity is lower or higher than preset.	Check the Relay 10 of P.C.B. assembly.	Abnormal.	Defective Relay 10.	Replace Relay 10.
		Normal.		
	Check the convection heater element.	Abnormal.	Defective convection heater.	Replace convection heater.
		Normal.		
	Check the circulation motor.	Abnormal.	Defective circulation motor.	Replace circulation motor.
		Normal.		
	Check the thermistor.	Error message shows in the display.	Thermistor open or short.	Replace thermistor.
		Normal.		
	Check the Rack.	Cook on the glass tray.	Without metal rack.	Cook with metal rack.

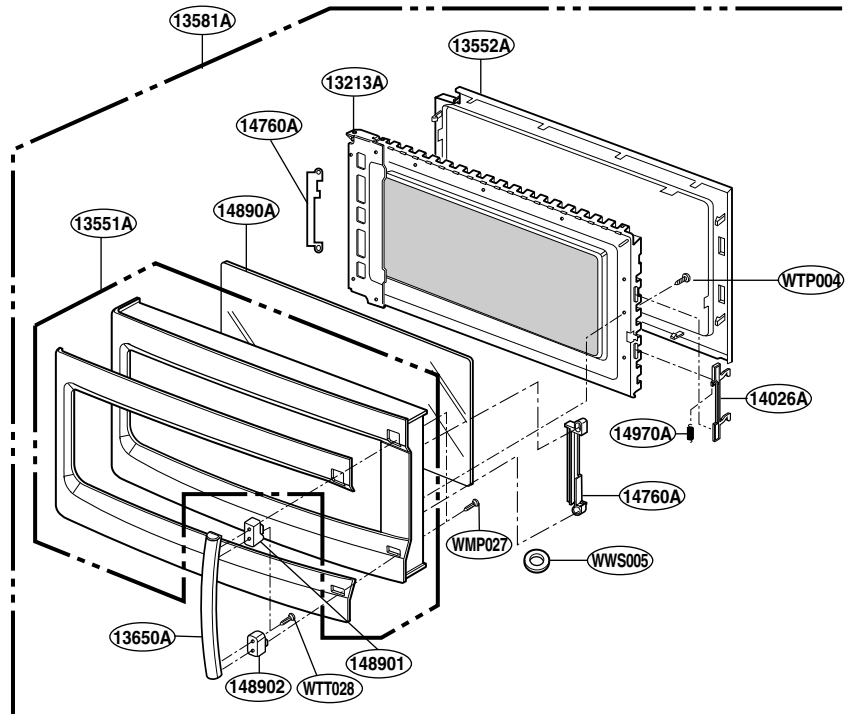
# EXPLODED VIEW

## DOOR PARTS

FOR MODEL: LMVH1750SB  
LMVH1750SW

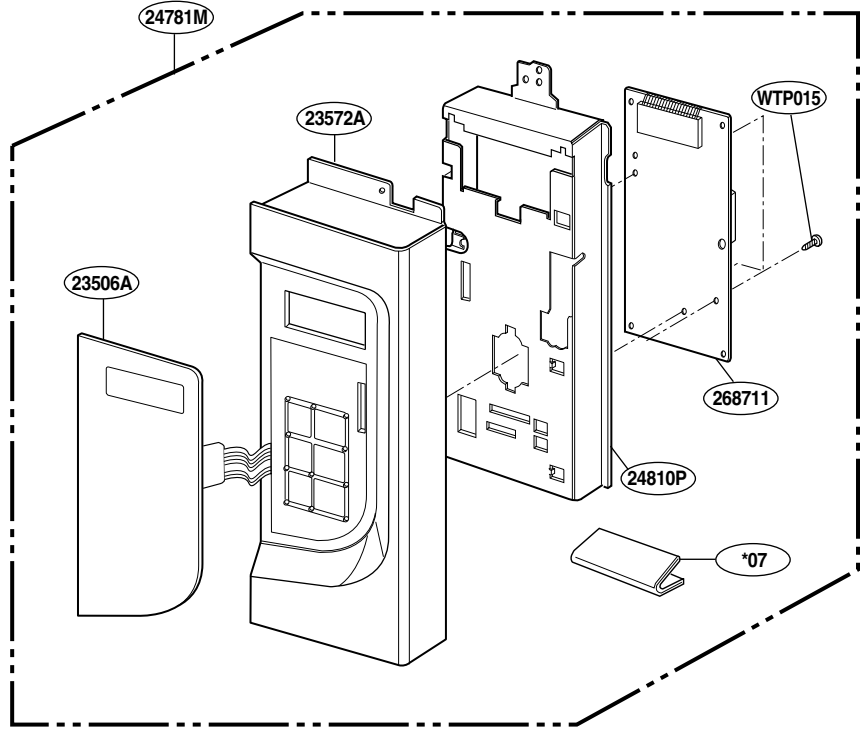


FOR MODEL: LMVH1750ST

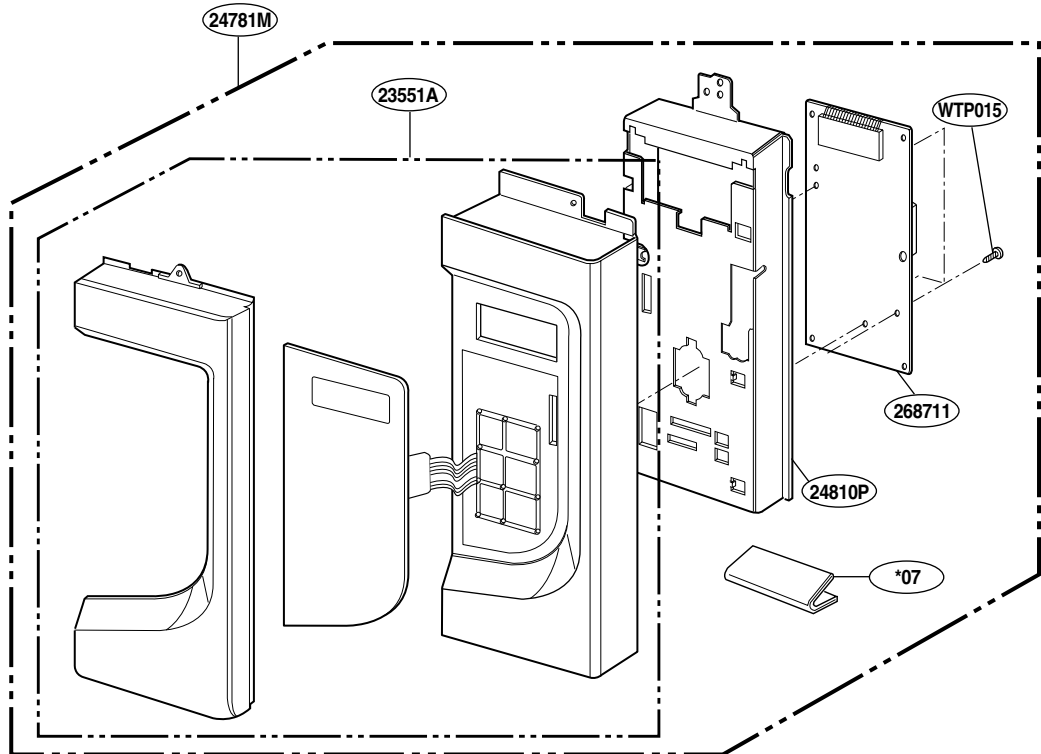


# CONTROLLER PARTS

FOR MODEL: LMVH1750SB  
LMVH1750SW

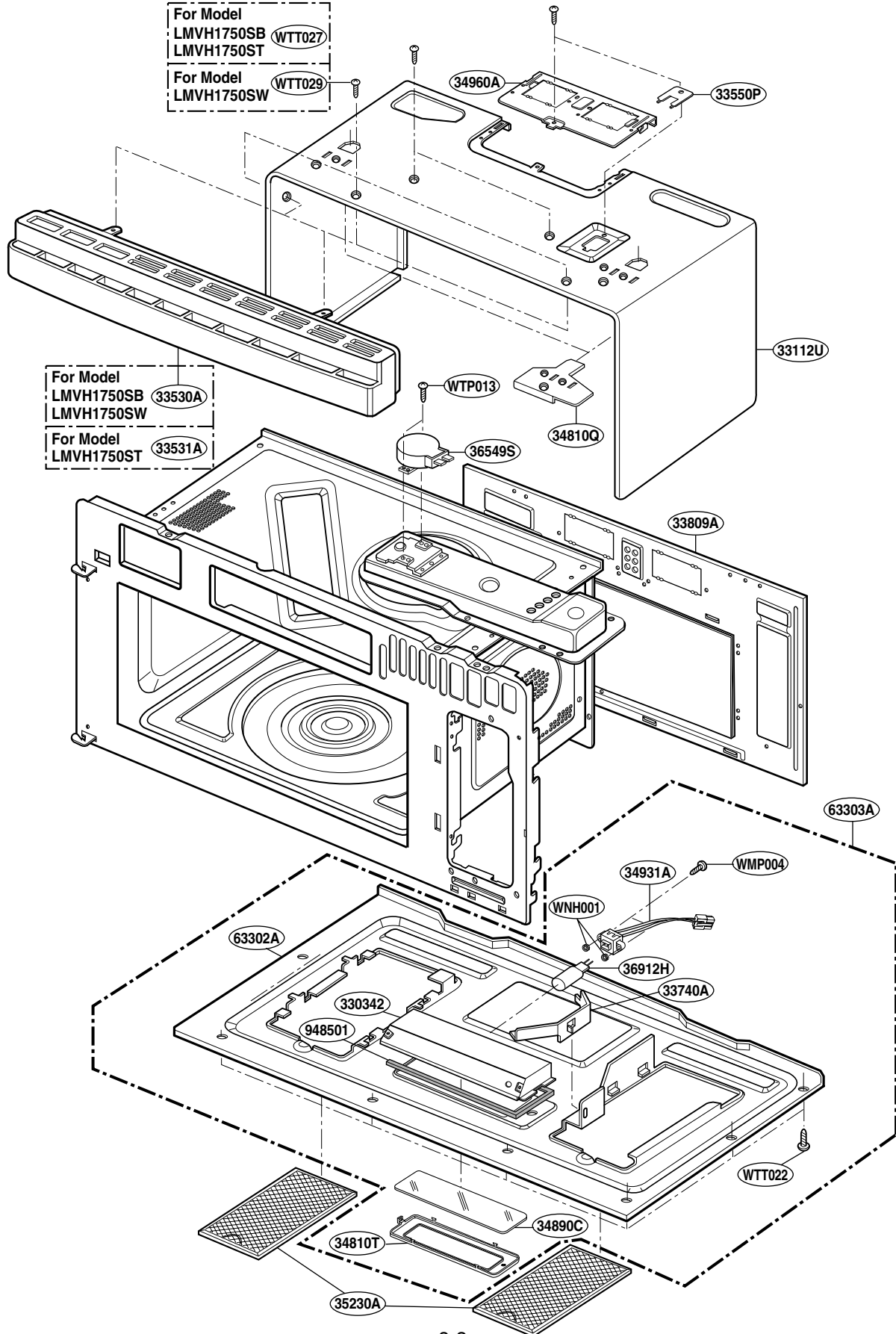


FOR MODEL: LMVH1750ST

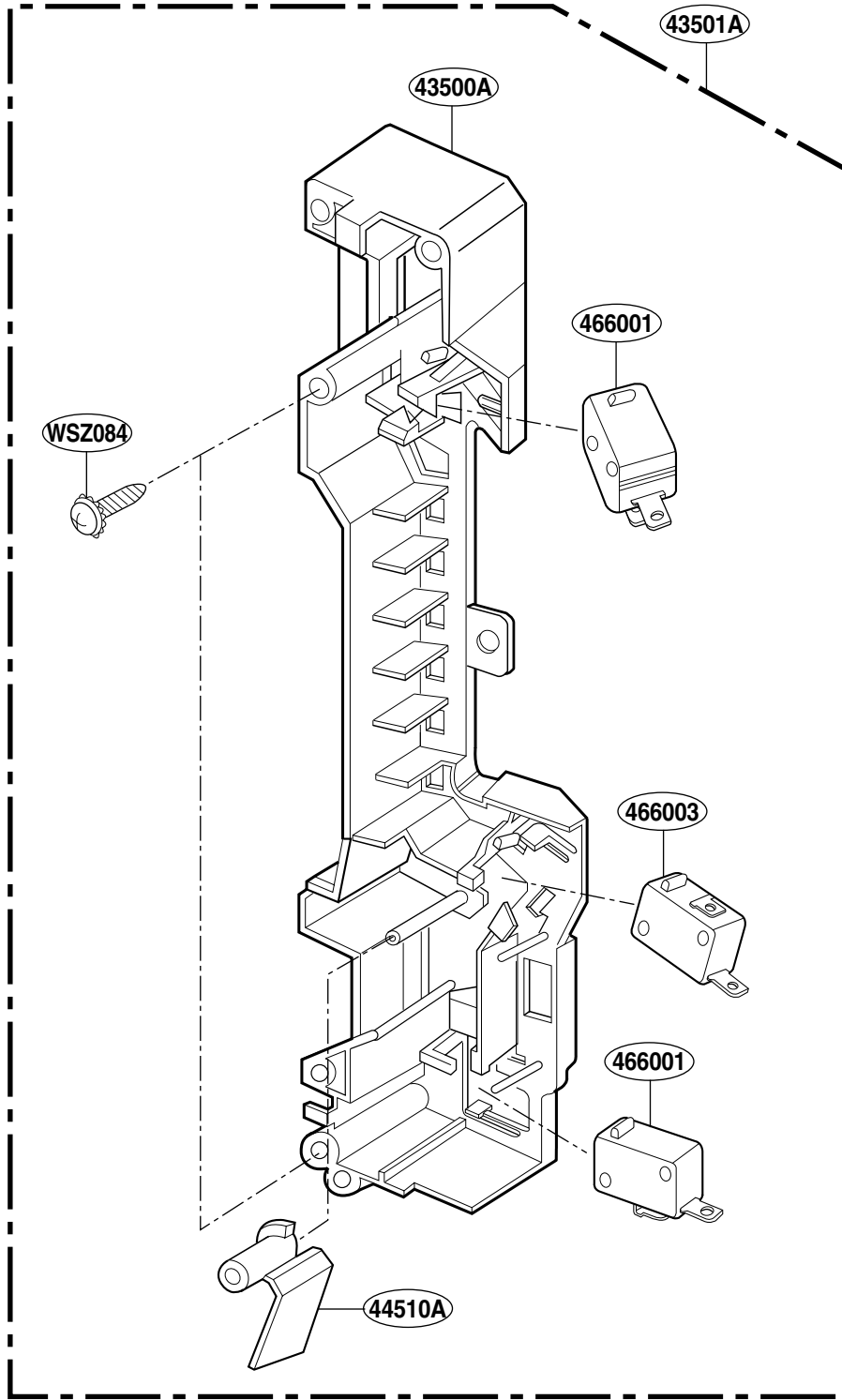




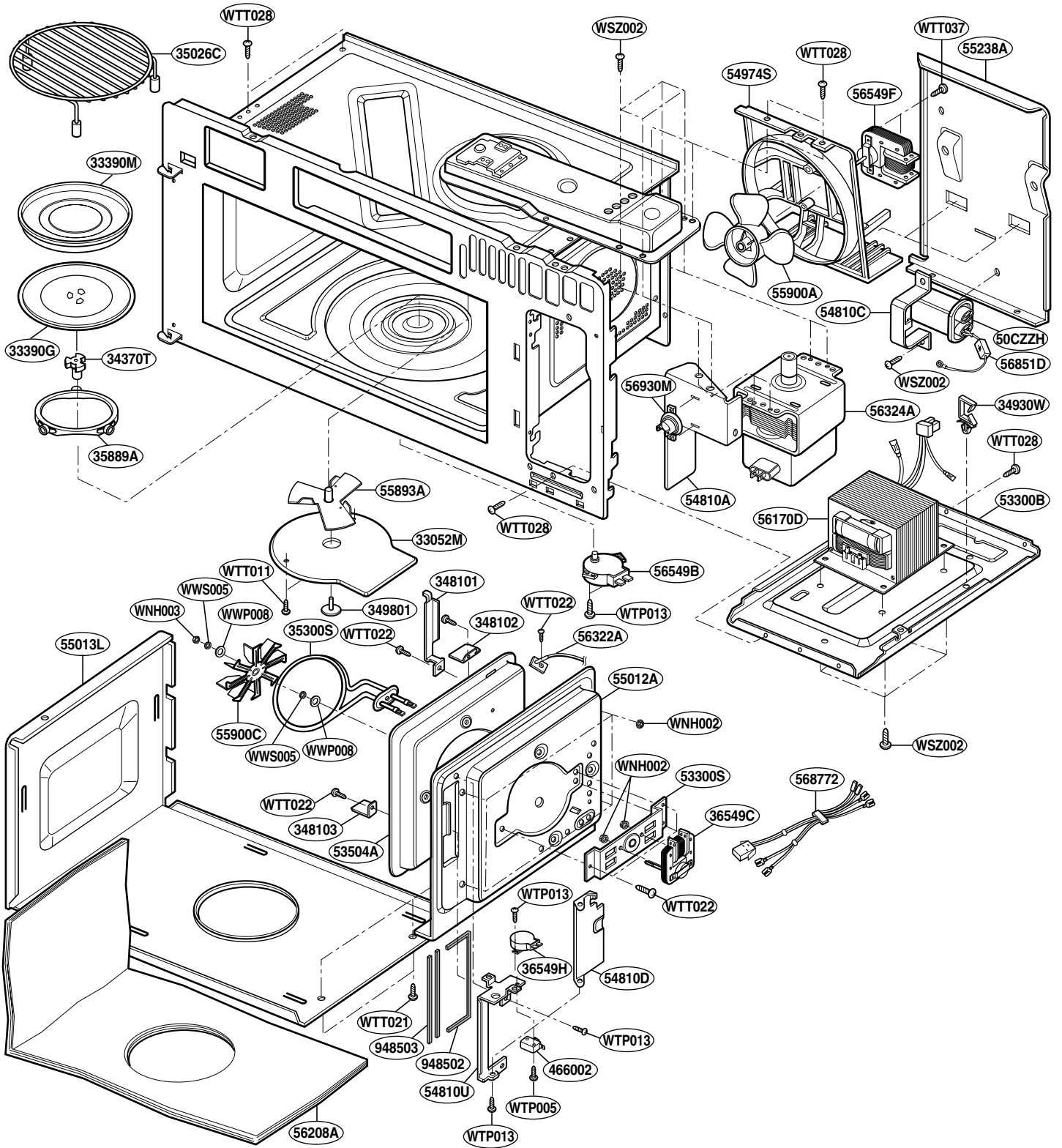
# OVEN CAVITY PARTS



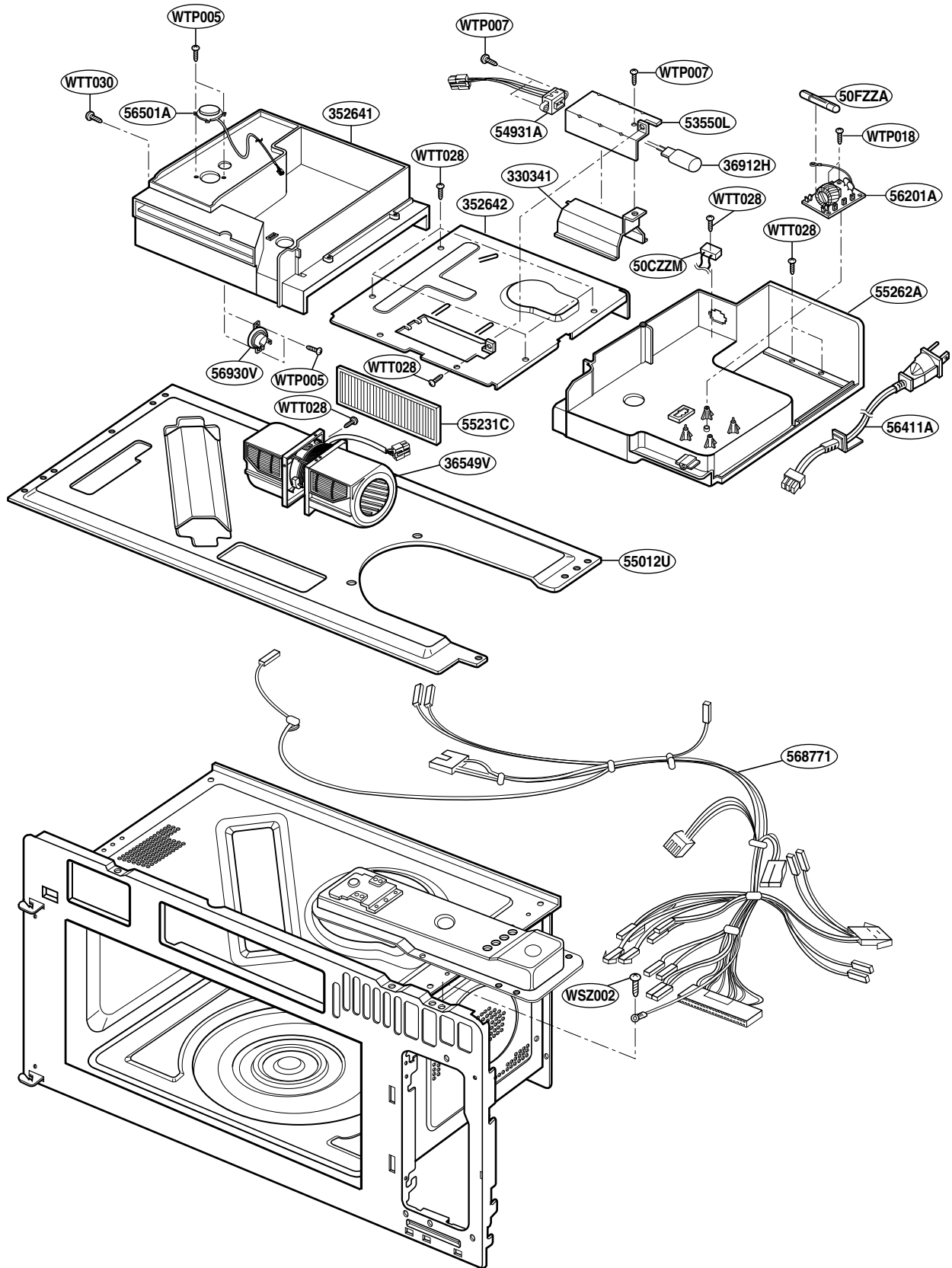
# LATCH BOARD PARTS



# INTERIOR PARTS (I)



# INTERIOR PARTS (II)



# INSTALLATION PARTS

