



CONSUMER SERVICES TECHNICAL  
EDUCATION GROUP PRESENTS

KR-34

**FAILURE CODES AND  
WIRING DIAGRAMS**  
*for*  
**FREESTANDING GAS &  
ELECTRIC RANGES**



JOB AID  
Part No. 8178360



## **FORWARD**

This Whirlpool Job Aid, "Failure Codes And Wiring Diagrams For Freestanding Gas & Electric Ranges," (Part No. 8178360), provides the technician with information on Diagnosing and Troubleshooting Whirlpool Q-Line Gas & Electric Ranges. It is to be used as a training Job Aid. For specific information on the model being serviced, refer to the "Use and Care Guide," or "Tech Sheet" provided with the unit.

The Wiring Diagrams and Strip Circuits used in this Job Aid are typical and should be used for training purposes only. Always use the Wiring Diagram supplied with the product when servicing the unit.

## **GOALS AND OBJECTIVES**

The goal of this Job Aid is to provide detailed information that will enable the service technician to properly diagnose malfunctions and repair the Whirlpool Q-Line Ranges.

The objectives of this Job Aid are to:

- Successfully troubleshoot and diagnose malfunctions.
- Offer Electronic Oven Control information.

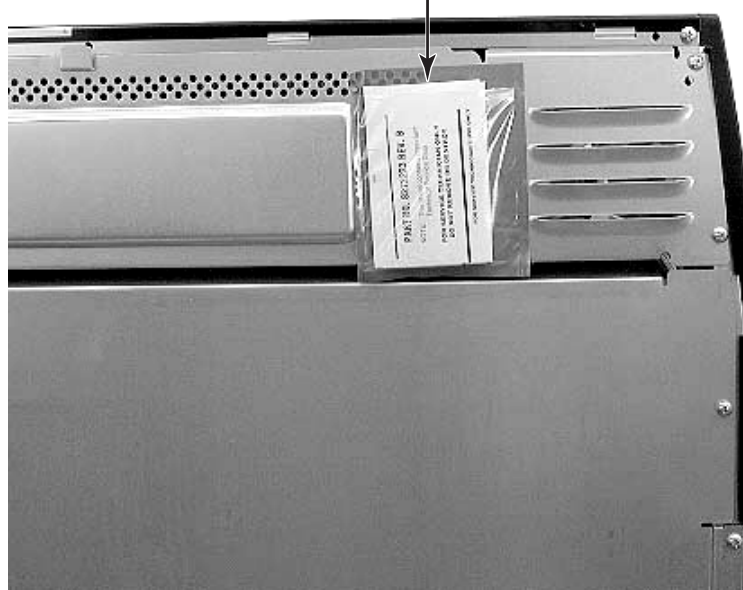
WHIRLPOOL CORPORATION assumes no responsibility for any repairs made on our products by anyone other than Authorized Service Technicians.

# MODEL/SERIAL NUMBER LABEL AND TECH SHEET LOCATIONS

Model/Serial Number  
Label Location Behind  
Storage Drawer



Tech Sheet Location  
On Rear Panel



# REFERENCE CHARTS

## Gas Models

Clock Model	Clock Page Number	Model Number	Gas Control Number*	Tech Sheet Number	Tech Sheet Page Number
K-150	11	CGS365HW0	3196971	8053552	48
K-150	11	CGS365HW5	3196971	8273173	51
K-150	11	CGS365HW6	3196971	8273173	51
K-150	11	CGS365HW7	3196971	8273173	51
K-150	11	CGS365HW8	3196971	8273173	51
K-100	11	FGS335EW0	3195185	3196333	33
K-150	11	FGS337GW0	3196971	8053552	48
K-150	11	FGS337GW1	3196971	8053552	48
K-150	11	FGS337GW5	3196971	8273173	51
K-150	11	FGS337GW6	3196971	8273173	51
K-150	11	FGS337GW7	3196971	8273173	51
K-150	11	FGS337KW0	3196971	8273173	51
K-150	11	FGS337KW1	3196971	8273173	51
EZ625	14	GR475LEKS0	8523346	8522648	54
EZ300	13	GS395LEGQ0	8053447	3196061	21
EZ300	13	GS395LEGQ1	8053447	3196061	21
EZ300	13	GS395LEGQ3	6610173	3196061	21
EZ300	13	GS395LEGQ4	8053447	3196061	21
EZ300	13	GS395LEGQ5	6610173	8272223	49
EZ300	13	GS395LEGQ6	6610173	8272223	49
EZ300	13	GS395LEGQ7	6610173	8272223	49
EZ300	13	GS395LEHS0	6610172(b)	3196061	21
EZ300	13	GS395LEHS4	6610172(b)	3196061	21
EZ300	13	GS395LEHS5	6610172(b)	8272223	49
EZ300	13	GS395LEHS6	6610172(b)	8272223	49
EZ300	13	GS395LEHS7	6610172(b)	8272223	49
EZ300	13	GS440LELQ0	8523283	8272223	49
EZ300	13	GS445LELS0	8523284(b)	8272223	49
EZ605	14	GS460LEKQ0	8522546	8522648	54
EZ605	14	GS460LEKQ1	8522546	8522648	54
EZ605	14	GS460LELQ0	8523300	8522648	54
EZ605	14	GS465LEKS0	8522545(b)	8522648	54
EZ605	14	GS465LEKS1	8522545(b)	8522648	54
EZ605	14	GS465LELS0	8523302(b)	8522648	54
EZ625	14	GS470LEKW0	8522543	8522648	54
EZ625	14	GS475LEKS0	8522542(b)	8522648	54
EZ625	14	GS475LELS0	8523304(b)	8522648	54
EZ625	14	GS475LELS1	8523304(b)	8522648	54
EZ300	13	SF195LEHW0	6610177	3196061	21
EZ300	13	SF195LEHW5	6610177	8272223	49
EZ300	13	SF195LEHW6	6610177	8272223	49
EZ625	14	SF195LEKW0	8523353	8522648	54
EZ625	14	SF195LEKW1	8523353	8522648	54

NOTE: Error / Failure Codes are located on page 20.

\* White Control Number is shown. For additional colors of this control, see the chart on page 5.  
b = Black

<b>Clock Model</b>	<b>Clock Page Number</b>	<b>Model Number</b>	<b>Gas Control Number*</b>	<b>Tech Sheet Number</b>	<b>Tech Sheet Page Number</b>
EZ300	13	SF197LEHQ7	6610177	8272223	49
EZ150	12	SF315PEEW0	3196254	3196194	30
EZ150	12	SF315PEGW0	6610152	8053556	47
EZ150	12	SF315PEGW1	6610152	8053556	47
EZ150	12	SF315PEGW5	6610152	8053556	47
EZ150	12	SF315PEGW6	6610152	8053556	47
EZ151	12	SF325LEKW0	98005618	98007031	57
EZ200	12	SF325PEEW0	6610189	3196195	32
EZ200	12	SF325PEGW0	6610189	3196195	32
EZ200	12	SF325PEGW1	6610189	3196195	32
EZ200	12	SF325PEGW4	6610189	3196195	32
EZ200	12	SF325PEGW5	6610189	3196195	32
EZ200	12	SF325PEGW6	6610189	3196195	32
EZ100	11	SF340BEHW0	6610266(b)	8273173	51
EZ100	11	SF340BEHW1	6610266(b)	8273173	51
EZ100	11	SF340BEHW2	6610266(b)	8273173	51
K-150	11	SF341BEKW0	3196971	8273173	51
K-150	11	SF342BEKW1	3196971	8273173	51
K-150	11	SF350BEEW0	3195185	3196333	33
EZ100	11	SF350BEGW0	6610266(b)	8053552	48
EZ100	11	SF350BEGW1	6610266(b)	8053552	48
EZ100	11	SF350BEGW5	6610266(b)	8273173	51
EZ151	12	SF356BEKW0	6610318	8273173	51
EZ100	11	SF357BEHW0	6610266(b)	8053552	48
EZ100	11	SF357BEHW5	6610266(b)	8273173	51
EZ100	11	SF357BEHW6	6610266(b)	8273173	51
EZ100	11	SF357BEHW7	6610266(b)	8273173	51
EZ151	12	SF357PEKW0	6610318	8273173	51
EZ151	12	SF357PEKW1	6610318	8273173	51
EZ100	11	SF360BEEW0	3195122(b)	3196334	34
EZ100	11	SF360PEEW0	3195122(b)	3196193	31
K-150	11	SF362BEGW0	3196971	8053552	48
K-150	11	SF362BEGW1	3196971	8053552	48
K-150	11	SF362BEGW5	3196971	8273173	51
K-150	11	SF362BEGW6	3196971	8273173	51
K-150	11	SF362BEGW7	3196971	8273173	51
K-150	11	SF365PEGW0	3196971	8053552	48
K-150	11	SF365PEGW1	3196971	8053552	48
K-150	11	SF365PEGW5	3196971	8273173	51
K-150	11	SF365PEGW6	3196971	8273173	51
K-150	11	SF365PEGW7	3196971	8273173	51
K-150	11	SF367LEHW0	3196971	8053552	48
K-150	11	SF367LEHW5	3196971	8273173	51
K-150	11	SF367LEHW6	3196971	8273173	51
K-150	11	SF367LEHW7	3196971	8273173	51

NOTE: Error / Failure Codes are located on page 20.

\* White Control Number is shown. For additional colors of this control, see the chart on page 5.  
b = Black

Clock Model	Clock Page Number	Model Number	Gas Control Number*	Tech Sheet Number	Tech Sheet Page Number
EZ151	12	SF367LEKW0	6610321	8273173	51
EZ151	12	SF367LEKW1	6610321	8273173	51
EZ151	12	SF367LEKW2	6610321	8273173	51
EZ151	12	SF369LEKW0	6610318	8273173	51
EZ151	12	SF369LEKW1	6610318	8273173	51
EZ150	12	SF370LEGW0	6610146	8053552	48
EZ150	12	SF370LEGW1	6610146	8053552	48
EZ150	12	SF370PEGW0	6610146	8053552	48
EZ150	12	SF370PEGW1	6610146	8053552	48
EZ150	12	SF372BEEW0	3196248	3196334	34
EZ150	12	SF375PEEW0	3196248	3196193	31
EZ151	12	SF377PEGW0	6610160	8053552	48
EZ151	12	SF377PEGW1	6610160	8053552	48
EZ151	12	SF377PEGW5	6610160	8273173	51
EZ151	12	SF377PEGW6	6610272	8273173	51
EZ151	12	SF377PEGW7	6610272	8273173	51
EZ200	12	SF379LEKW0	6610324	8273173	51
EZ200	12	SF379LEKW1	6610324	8272223	49
EZ200	12	SF379LEKW2	6610324	8272223	49
EZ200	12	SF380LEXW0	6610324	8272223	49
EZ200	12	SF380LEXW1	6610324	8272223	49
EZ151	12	SF385PEEW0	6610060	3196061	21
EZ151	12	SF385PEGW0	6610060	3196061	21
EZ151	12	SF385PEGW1	6610060	3196061	21
EZ151	12	SF385PEGW3	6610060	3196061	21
EZ151	12	SF385PEGW4	6610060	3196061	21
EZ200	12	SF385PEGW5	6610279	8272223	49
EZ200	12	SF385PEGW7	6610279	8272223	49
EZ200	12	SF387LEGW0	6610060	3196061	21
EZ200	12	SF387LEGW1	6610060	3196061	21
EZ200	12	SF387LEGW3	6610060	3196061	21
EZ200	12	SF387LEGW4	6610060	3196061	21
EZ200	12	SF387LEGW6	6610279	8272223	49
EZ200	12	SF387LEGW7	6610279	8272223	49
EZ605	14	SF387LEKW0	8522539	8522648	54
EZ200	12	SF387PEGW5	6610183	8272223	49
EZ605	14	SF389LEKW0	8522539	8522648	54
EZ300	13	SF395LEEW0	6610054	3196061	21
EZ151	12	SGS375HW0	6610160	8053552	48
EZ151	12	SGS375HW5	6610265	8273173	51
EZ151	12	SGS375HW6	6610265	8273173	51
EZ151	12	SGS375HW7	6610265	8273173	51
EZ151	12	TGS325GW0	6610155(b)	8053552	48
EZ151	12	TGS325GW1	6610155(b)	8053552	48
EZ151	12	TGS325GW5	6610155(b)	8273173	51
EZ150	12	TGS325GW6	6610270(b)	8273173	51
EZ150	12	TGS325GW7	6610270(b)	8273173	51

NOTE: Error / Failure Codes are located on page 20.

\* White Control Number is shown. For additional colors of this control, see the chart on page 5.  
b = Black

## Gas Model Colors

<b>Clock Model</b>	<b>White</b>	<b>Black</b>	<b>Almond</b>	<b>Biscuit</b>
EZ100		3195122	3195124	
K-100	3195185			
EZ150	3196248	3196247	3196249	
EZ150	3196254	3196253		
K-150	3196971	3196970	3196972	8273802
EZ300	6610054	6610053	6610055	
EZ200	6610060	6610059	6610061	
EZ150	6610146	6610145	6610147	
EZ150	6610152	6610151		6610285
EZ151		6610155		
EZ151	6610160	6610159	6610161	
EZ300	6610173	6610172	6610174	6610202
EZ300	6610177		6610178	6610282
EZ200	6610183	6610182	6610184	
EZ200	6610189	6610188	6610190	6610292
EZ151	6610265			
EZ100		6610266		
EZ150		6610270		
EZ151	6610272	6610271	6610273	6610288
EZ200	6610279	6610278	6610280	6610290
EZ150	6610318	6610319		6610320
EZ151	6610321	6610322		6610323
EZ200	6610324	6610325		6610326
EZ300	8053447	8053446	8053448	
EZ600	8522539	8522538		8522540
EZ625	8522543	8522542		8522544
EZ605	8522546	8522545		8522547
EZ300	8523283	8523284		8523281
EZ605	8523300	8523302		8523301
EZ625		8523304		
EZ625	8523347	8523346		8523348
EZ600	8523353	8523352		8523354

## Electric Models

Clock Model	Clock Page Number	Model Number	Electric Control Number*	Tech Sheet Number	Tech Sheet Page Number
EZ150	12	4RF315PXEQ0	3196251	3196478	35
EZ150	12	4RF315PXGQ0	6610149	8053290	37
K-150	11	CES365HQ0	3196968	8053291	38
K-150	11	CES365HQ1	3196968	8053291	38
K-150	11	CES366HQ0	3196968	8053296	39
K-150	11	CES366HQ1	3196968	8053296	39
K-150	11	FES330GW0	3196968	8053298	42
K-150	11	FES330GW1	3196968	8053298	42
EZ300	13	GR395LXGQ0	8053444	8053304	46
EZ300	13	GR395LXGQ1	6610170	8053304	46
EZ300	13	GR395LXGQ2	6610170	8053304	46
EZ300	13	GR396LXGQ1	8053444	8053302	44
EZ300	13	GR396LXGQ2	6610170	8053302	44
EZ300	13	GR399LXGQ1	8053444	8053303	45
EZ300	13	GR399LXGQ2	6610170	8053303	45
EZ300	13	GR399LXHQ0	6610170	8053303	45
EZ300	13	GR399LXHQ1	6610170	8053303	45
EZ300	13	GR440LXLP0	8523285	8522788	56
EZ300	13	GR445LXLS0	8523286(b)	8522788	56
EZ600	13	GR458LXLQ0	8522527	8522647	53
EZ605	14	GR460LXKP0	8522533	8522647	53
EZ605	14	GR460LXLP0	8523295	8522647	53
EZ605	14	GR460LXLP1	8523295	8522647	53
EZ605	14	GR465LXKS0	8522532(b)	8522647	53
EZ605	14	GR465LXLS0	8523297(b)	8522647	53
EZ605	14	GR465LXLS1	8523297(b)	8522647	53
EZ625	14	GR470LXKP0	8522530	8522647	53
EZ625	14	GR475LXKS0	8523334(b)	8522647	53
EZ625	14	GR475LXLS0	8523303(b)	8522647	53
K-150	11	RF196LXJQ0	3196968	8053296	39
EZ151	12	RF196LXKP0	6610328	8053294	41
EZ151	12	RF196LXKP1	6610328	8053294	41
EZ300	13	RF199LXHQ0	6610175	8272342	50
EZ300	13	RF199LXHQ1	6610175	8272342	50
EZ600	13	RF199LXKP0	8522536	8522647	53
EZ600	13	RF199LXKP1	8523341	8522647	53

NOTE: Error / Failure Codes are located on page 20.

\* White Control Number is shown. For additional colors of this control, see the chart on page 10.  
b = Black



Clock Model	Clock Page Number	Model Number	Electric Control Number*	Tech Sheet Number	Tech Sheet Page Number
EZ150	12	RF314PXGQ0	6610149	8053293	40
EZ150	12	RF314PXGQ1	6610149	8053293	40
EZ150	12	RF315PXEW0	3196251	3196478	35
EZ150	12	RF315PXGW0	6610149	8053290	37
EZ150	12	RF315PXGW1	6610149	8053290	37
EZ150	12	RF315PXKW0	6610149	8053290	37
EZ200	12	RF324PXEW0	6610063	3196100	24
EZ200	12	RF324PXEW1	6610063	3196100	24
EZ200	12	RF325PXEW0	6610063	3196106	25
EZ200	12	RF325PXGW0	6610063	8053301	43
EZ200	12	RF325PXGW1	6610186	8273318	52
K-150	11	RF340BXHW0	3196968	8053291	38
K-150	11	RF340BXHW1	3196968	8053291	38
K-150	11	RF340BXKW0	3196968	8053291	38
K-150	11	RF341BXHW0	3196968	8053294	41
K-150	11	RF341BXKW0	3196968	8053294	41
K-150	11	RF341BXKW1	3196968	8053294	41
EZ100	11	RF344BXHW0	6610130(b)	8053294	41
EZ100	11	RF344BXHW1	6610130(b)	8053294	41
K-100	11	RF3500XEW0	3195186(b)	3196147	28
K-100	11	RF350BXEW0	3195186(b)	3196147	28
EZ100	11	RF350BXGW0	6610130(b)	8053291	38
EZ100	11	RF350BXGW1	6610130(b)	8053291	38
EZ150	12	RF350BXKW0	6610309	8053291	38
EZ150	12	RF350PXHW0	6610309	8053291	38
EZ150	12	RF350PXHW1	6610309	8053291	38
K-150	11	RF352BXKW0	3196968	8053291	38
EZ100	11	RF354BXEW0	3195168(b)	3196148	29
EZ100	11	RF354BXGW0	6610130(b)	8053294	41
EZ100	11	RF354BXGW1	6610130(b)	8053294	41
EZ100	11	RF360BXEQ0	3195169	3196147	28
EZ100	11	RF360PXEQ0	3195169	3196147	28
EZ100	11	RF361PXKQ0	3195169	8053294	41
EZ100	11	RF361PXKQ1	3195169	8053294	41
EZ100	11	RF362BXGQ0	3195169	8053291	38
EZ100	11	RF362BXGQ1	3195169	8053291	38
EZ150	12	RF362BXKQ0	6610309	8053291	38
EZ150	12	RF362BXKQ1	6610309	8053291	38
EZ100	11	RF364BXEQ0	3195168(b) 3195169	3196148	29
EZ100	11	RF364BXEQ1	3195168(b) 3195169	3196148	29
K-150	11	RF364BXGW0	3196968	8053294	41

NOTE: Error / Failure Codes are located on page 20.

\* White Control Number is shown. For additional colors of this control, see the chart on page 10.  
b = Black

<b>Clock Model</b>	<b>Clock Page Number</b>	<b>Model Number</b>	<b>Electric Control Number*</b>	<b>Tech Sheet Number</b>	<b>Tech Sheet Page Number</b>
EZ151	12	RF364LXKQ0	6610312	8053294	41
EZ151	12	RF364LXKQ1	6610312	8053294	41
EZ100	11	RF364PXEW0	3195168(b)	3196148	29
EZ100	11	RF364PXEW1	3195168(b)	3196711	36
EZ150	12	RF364PXKW0	6610309	8053294	41
EZ150	12	RF364PXKW1	6610309	8053294	41
K-150	11	RF365PXGQ0	3196968	8053291	38
K-150	11	RF365PXGQ1	3196968	8053291	38
EZ151	12	RF365PXKQ0	6610312	8053291	38
K-150	11	RF366LXKQ0	3196968	8053294	41
K-150	11	RF366PXGQ0	3196968	8053296	39
K-150	11	RF366PXGQ1	3196968	8053296	39
K-150	11	RF366PXGQ2	3196968	8053296	39
EZ151	12	RF367LXKQ0	6610312	8053291	38
EZ151	12	RF368LXKQ0	6610312	8053296	39
EZ151	12	RF368LXKQ1	6610312	8053296	39
EZ150	12	RF370LXGQ0	6610143	8053291	38
EZ150	12	RF370PXGQ0	6610143	8053291	38
EZ150	12	RF372BXEW0	3196245	3196147	28
EZ150	12	RF374PXGW0	6610143	8053296	39
EZ150	12	RF374PXGW1	6610143	8053296	39
EZ150	12	RF375BXEW0	3196245	3196133	26
EZ150	12	RF375PXEQ0	3196245	3196133	26
EZ150	12	RF376LXGQ0	6610143	8053296	39
EZ150	12	RF376LXGQ1	6610143	8053296	39
EZ150	12	RF376LXGQ2	6610143	8053296	39
EZ150	12	RF376LXGQ3	6610143	8053296	39
EZ150	12	RF376PXEW0	3196244(b)	3196134	27
EZ150	12	RF376PXEW1	3196244(b)	3196134	27
EZ151	12	RF377PXGW0	6610157	8053291	38
EZ151	12	RF377PXGW1	6610157	8053291	38
EZ151	12	RF377PXGW5	6610157	8053291	38
EZ200	12	RF378LXKQ0	6610315	8522788	56
EZ200	12	RF378LXKQ1	6610315	8522788	56
EZ151	12	RF378PXGW0	6610157	8053296	39
EZ151	12	RF378PXGW1	6610157	8053296	39
EZ200	12	RF379LXKQ0	6610315	8522787	55
EZ200	12	RF379LXKQ1	6610315	8522787	55
EZ200	12	RF380LXKQ0	6610315	8522788	56

NOTE: Error / Failure Codes are located on page 20.

\* White Control Number is shown. For additional colors of this control, see the chart on page 10.  
b = Black

<b>Clock Model</b>	<b>Clock Page Number</b>	<b>Model Number</b>	<b>Electric Control Number*</b>	<b>Tech Sheet Number</b>	<b>Tech Sheet Page Number</b>
EZ200	12	RF385PXEW0	3195101	3196078	23
EZ200	12	RF385PXGW0	6610057	8053304	46
EZ200	12	RF385PXGW1	6610180	8053304	46
EZ200	12	RF385PXGW2	6610180	8053304	46
EZ200	12	RF386PXEW0	6610057	3196077	22
EZ200	12	RF386PXEW1	6610057	3196077	22
EZ200	12	RF386PXGW0	6610057	8053302	44
EZ200	12	RF386PXGW1	6610180	8053302	44
EZ200	12	RF386PXGW2	6610180	8053302	44
EZ200	12	RF386PXGW3	6610180	8053302	44
EZ200	12	RF386PXGW4	6610180	8053302	44
EZ200	12	RF387LXGQ0	6610057	8053304	46
EZ200	12	RF387LXGQ1	6610180	8053304	46
EZ200	12	RF387LXHQ0	6610180	8053304	46
EZ200	12	RF387LXHQ1	6610180	8053304	46
EZ151	12	RF388LXGQ0	6610157	8053302	44
EZ200	12	RF388LXGQ1	6610180	8053302	44
EZ200	12	RF388LXGQ2	6610180	8053302	44
EZ200	12	RF388LXGQ3	6610180	8053302	44
EZ600	13	RF388LXKQ0	8522527	8522647	53
EZ600	13	RF389LXKQ0	8522527	8522647	53
EZ600	13	RF390LXKQ0	8522527	8522647	53
EZ300	13	RF395LXEQ0	6610051	3196078	23
EZ300	13	RF396LXEQ0	3195113	3196077	22
EZ300	13	RF396LXEQ1	6610051	3196077	22
EZ150	12	TES325GW0	6610154(b)	8053291	38
EZ150	12	TES325GW1	6610154(b)	8053291	38
EZ150	12	TES325KQ0	8522807	8053291	38
EZ150	12	TES355KQ0	8522807	8053296	39

NOTE: Error / Failure Codes are located on page 20.

\* White Control Number is shown. For additional colors of this control, see the chart on page 10.  
b = Black

## Electric Model Colors

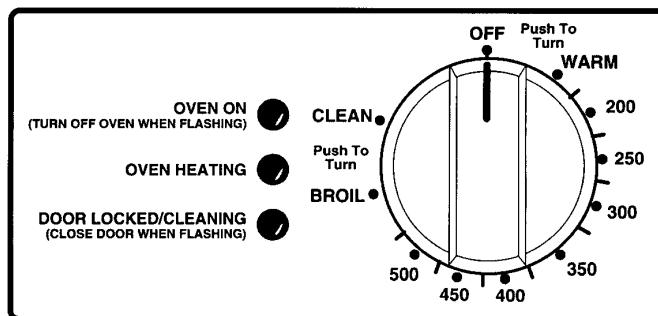
<b>Clock Model</b>	<b>White</b>	<b>Black</b>	<b>Almond</b>	<b>Biscuit</b>
EZ200	3195101	3195100	3195102	
EZ300	3195113	3195112	3195114	
EZ100	3195169	3195168	3195170	
K100		3195186		
EZ150	3196245	3196244	3196246	6610283
EZ150	3196251	3196250		
K150	3196968	3196967	3196969	8273801
EZ300	6610051	6610050	6610052	
EZ200	6610057	6610056	6610058	
EZ200	6610063	6610062	6610064	
EZ100		6610130		
EZ150	6610143	6610142	6610144	
EZ150	6610149	6610148		6610284
EZ150		6610154		
EZ151	6610157	6610156	6610158	
EZ300	6610170	6610169	6610171	6610201
EZ300	6610175		6610176	6610281
EZ200	6610180	6610179	6610181	6610289
EZ200	6610186	6610185	6610187	
EZ150	6610309	6610310		6610311
EZ151	6610312	6610313		6610314
EZ200	6610315	6610316		6610317
EZ151	6610328	6610329		6610330
EZ300	8053444	8053443	8053445	
EZ600	8522527	8522526		8522528
EZ625	8522530	8522529		8522531
EZ605	8522533	8522532		8522534
EZ600	8522536	8522535		8522537
EZ150	8522807	8522806		
EZ151	8522808			8522809
EZ300	8523285	8523286		8523282
EZ605	8523295	8523297		8523296
EZ625		8523303		
EZ625		8523334		
EZ600	8523341	8523340		8523342

# ELECTRONIC OVEN CONTROLS

## K-100 SINGLE CONTROL KNOB (DISCONTINUED ON "G" LINE)

This oven control includes:

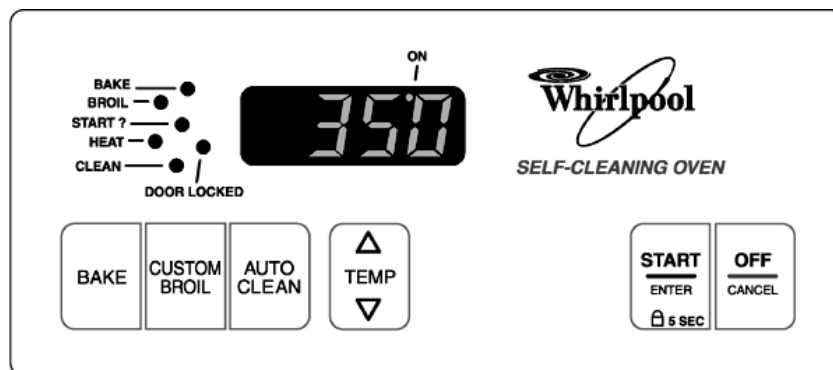
Bake Temperature settings with Broil and Clean, Oven On, Oven Heating, and Door Locked/  
Cleaning indicators.



## EZ TOUCH 100

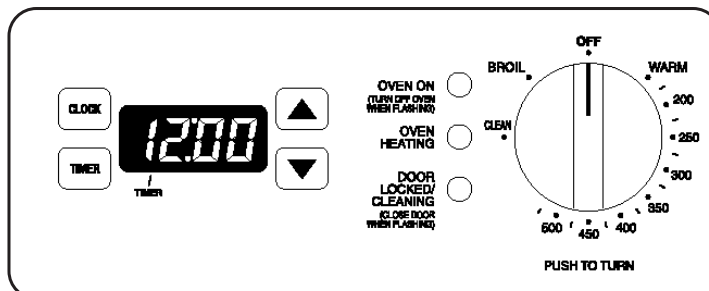
This oven control includes:

An Electronic LED Display, Indicator Lights, Custom Broil, Auto Clean, Child Lockout, and Start Prompt (no Time-Of-Day function).



## K-150

Adds Time-Of-Day and Timer.



## EZ TOUCH 150

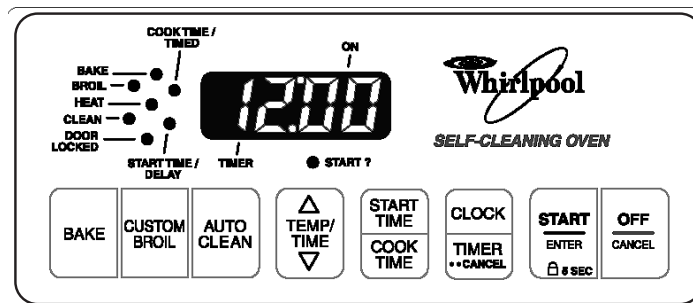
This oven control includes:

A Time-Of-Day Clock, Color-Keyed Temperature and Clock/Timer Pads, Electronic Minute Timer and Signal.



## EZ TOUCH 151

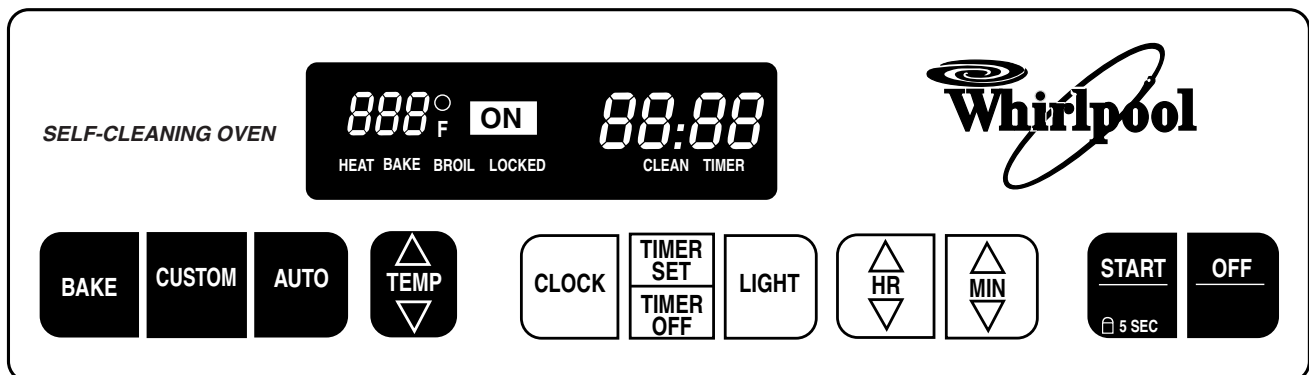
This oven control adds a Cook and Cook Time function.



## EZ TOUCH 200

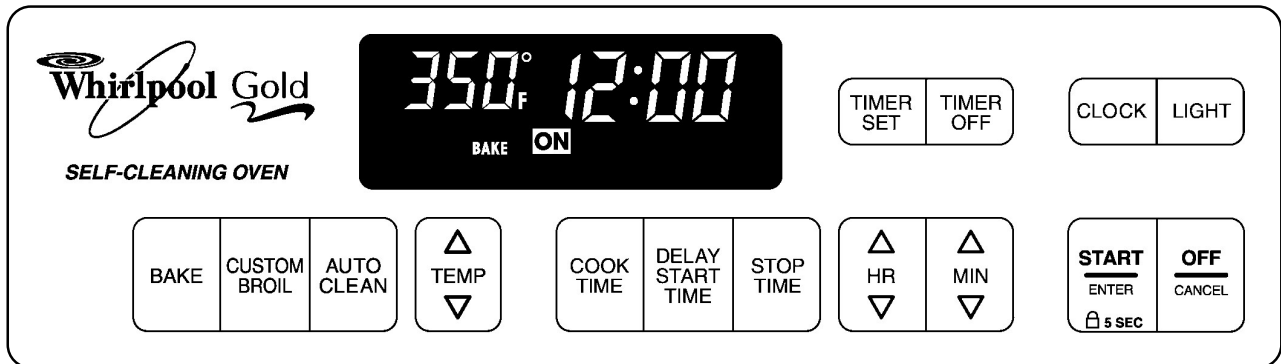
This oven control adds:

An Illuminated Vacuum Fluorescent Display, AccuBake Temperature Management System, Separate Time/Temp Displays, and Integrated Light Touch Pad.



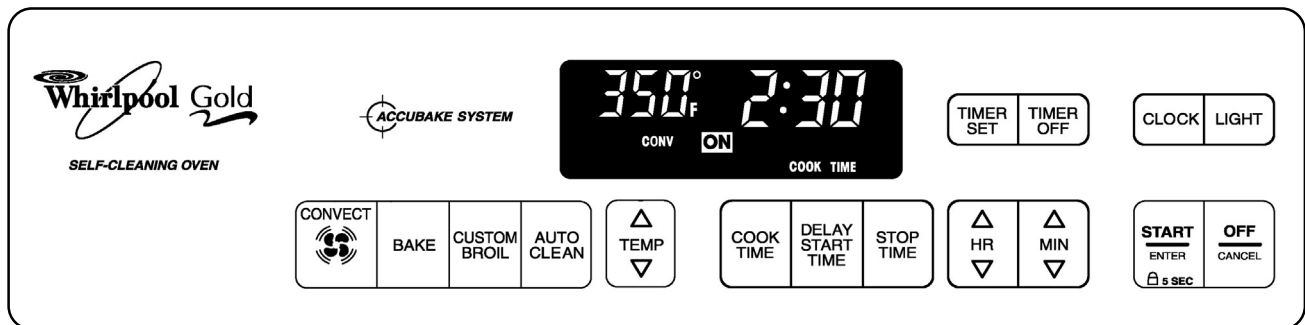
## EZ TOUCH 300

This oven control adds Delay Cook and Off functions.

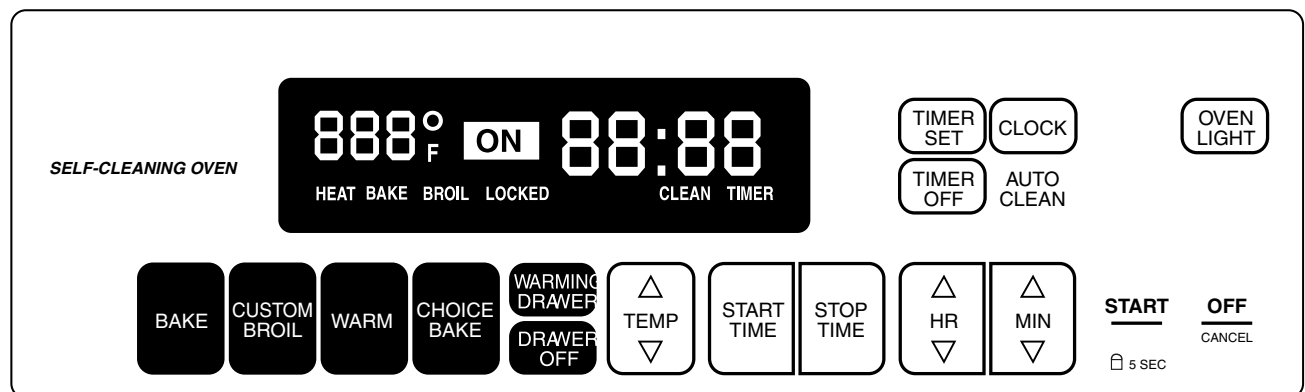


## EZ TOUCH 400

This oven control adds a Convection function (available on Electric Wall Oven).

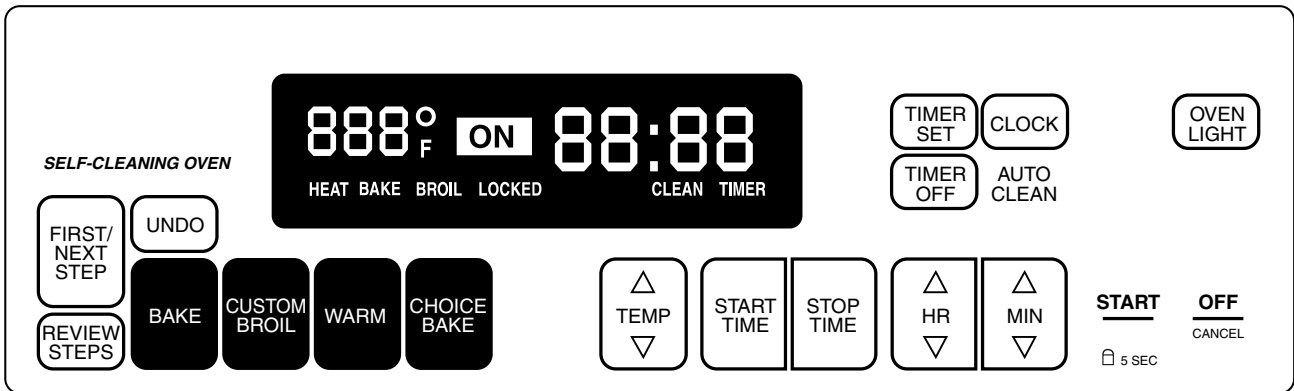


## EZ TOUCH 600\*



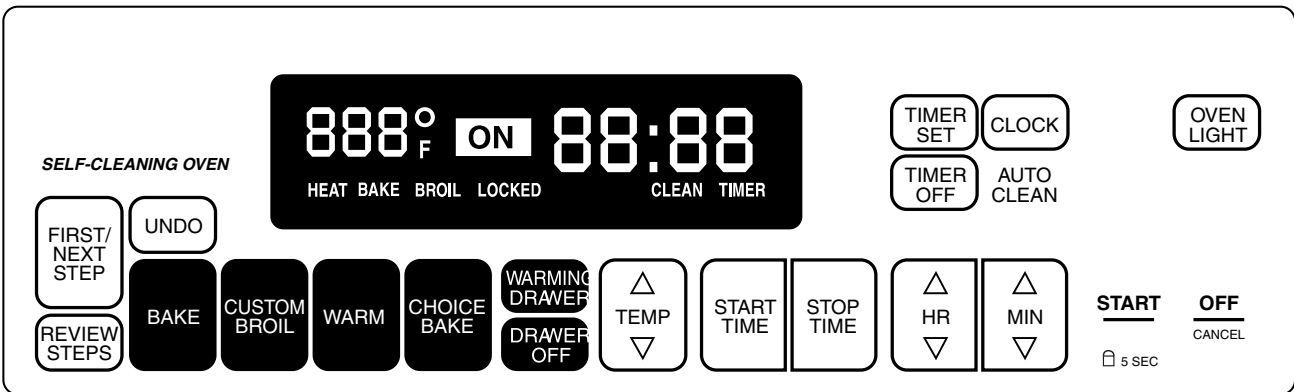
\* See "Testing" on page 15.

## EZ TOUCH 605\*



\* See "Testing" on page 15.

## EZ TOUCH 625\*



\* See "Testing" on page 15.

## EZ TOUCH 650\* (POLARA)



\* See "Testing" on page 16.



# TESTING THE EZ TOUCH 600, 605, & 625 TEMPERATURE SENSORS

## Diagnostic Test Procedure

To enter the test:

Disconnect power to the unit for at least 15 seconds, and then reconnect it.

Press the following control keypads within one minute after power up:

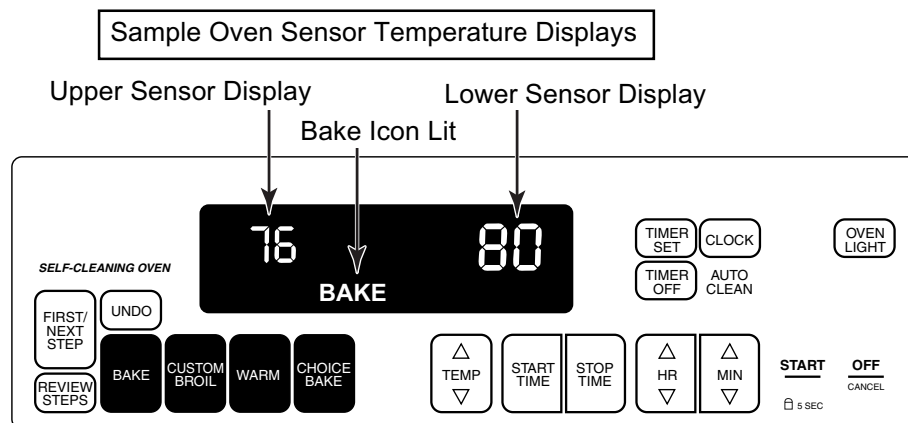
TEMP ▲  
MIN ▼  
TEMP ▼  
MIN ▲  
TIMER SET

The clock will run through a series of numbers. When it stops, you will be able to progress through the test process **by pressing the START** keypad.

### Test 1: Bake Relay Output

The Bake relay is enabled (ignitor sparking will start in the oven—a 40 second delay after power up).

- The upper sensor temperature is displayed on the left (orange display)
- The lower sensor temperature is displayed on the right (blue display)
- The BAKE icon is lit



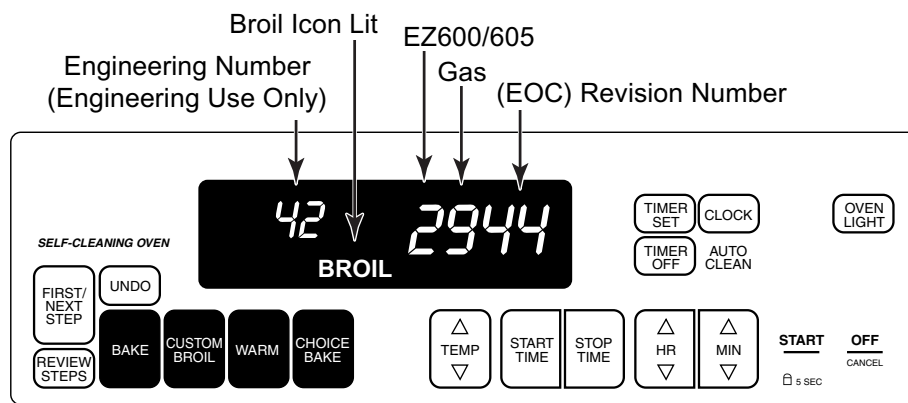
Press the START keypad to progress through the test.

**Continued on the next page.**

## Test 2: Broil Relay Output

The Broil relay is enabled (ignitor sparking will start in the oven—a 40 second delay after power up).

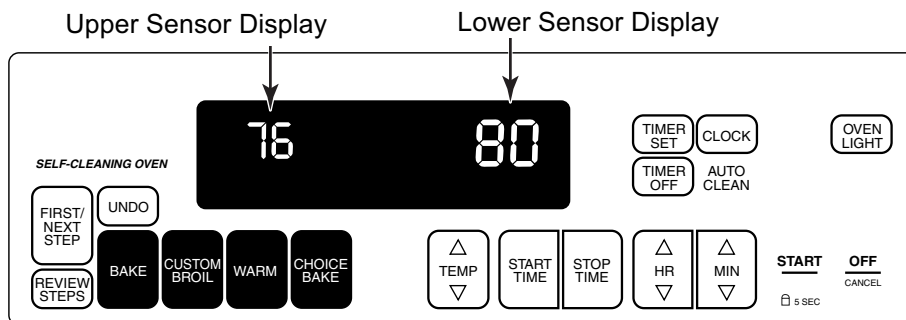
- The BROIL icon is lit
- 2 digit number (for Engineering use) is displayed on the left
- Model and fuel configuration codes displayed in first 2 digits of 4 digit display
  - 1 = EZ625 models
  - 2 = EZ600/605 models
  - 3 = Polara
  - 9 (or g) = Gas
  - E = Electric
- Electronic Oven Control (EOC) revision number displayed in last 2 digits of 4 digit display



Press the START keypad to progress through the test.

## Test 3: Sensor Display

- The upper sensor temperature is displayed on the left (orange display)
- The lower sensor temperature is displayed on the right (blue display)



Pressing the START keypad will return to Test 1.

To exit the test, press the CANCEL keypad. The test will remain active for 20 minutes before automatic timeout.

# TESTING THE EZ TOUCH 650 (POLARA) TEMPERATURE SENSORS Diagnostic Test Procedure

To enter the test:

Disconnect power to the unit for at least 15 seconds, and then reconnect it.

Press the following control keypads within one minute after power up:

TEMP ▲  
MIN ▼  
TIMER OFF  
CANCEL  
MIN ▲  
START TIME  
CLOCK SET

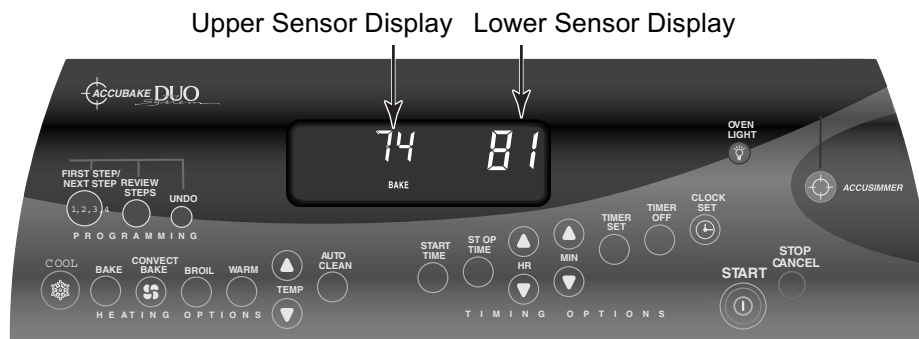
## Test 1: Bake Relay Output

The Bake relay is enabled (element is getting hot).

The Broil relay is enabled (element is getting hot).

- The upper sensor temperature is displayed on the left (orange display)
- The lower sensor temperature is displayed on the right (blue display)
- The BAKE icon is lit

Sample Oven Sensor Temperature Displays



Press the START keypad to progress through the test.

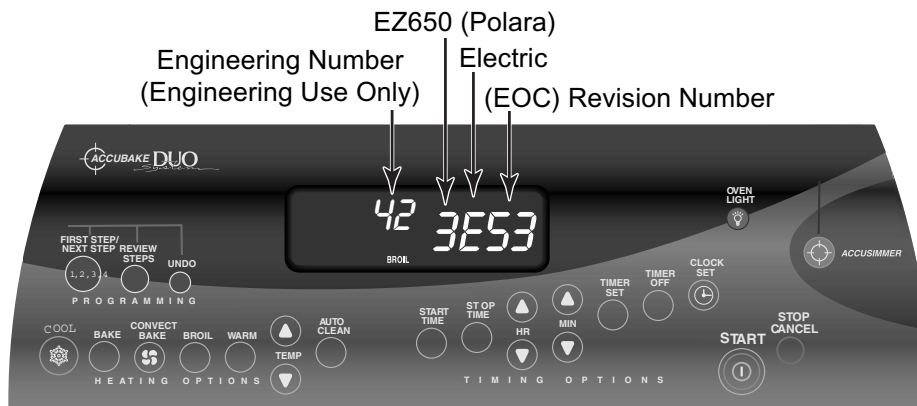
Continued on the next page.

## Test 2: Broil Relay Output

The Bake relay is disabled.

The Broil relay is enabled (element is getting hot).

- The BROIL icon is lit
- 2 digit number (for Engineering use) is displayed on the left (orange display)
- Model and fuel configuration codes displayed in first 2 digits of 4 digit display
  - 3 = EZ650 (Polaris) models
  - E = Electric
- Electronic Oven Control (EOC) revision number displayed in last 2 digits of 4 digit display

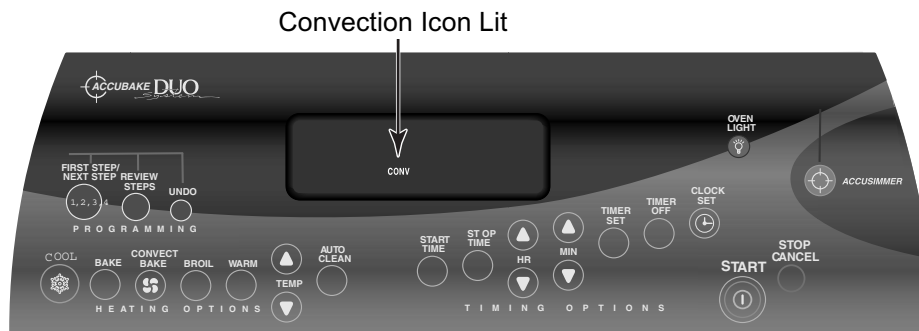


Press the START keypad to progress through the test.

## Test 3: Convection Relay Output

The Convection Fan relay is enabled (Convection Fan On).

- The CONV icon is lit

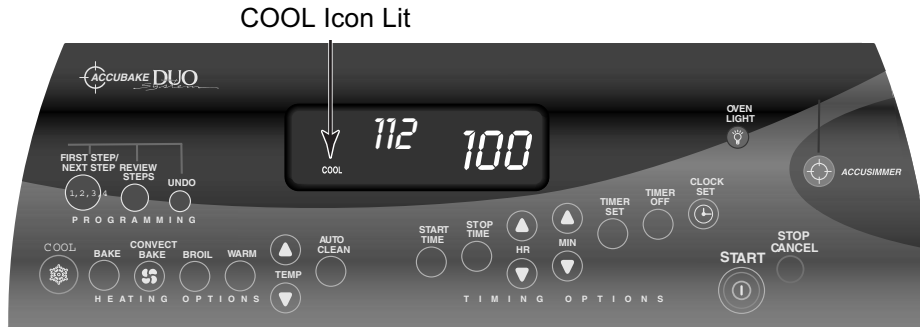


Press the START keypad to progress through the test.

#### Test 4: Compressor Relay Output

The compressor relay is enabled (Compressor Is On).

- The upper sensor temperature is displayed on the left (orange display)
- The lower sensor temperature is displayed on the right (blue display)
- The COOL icon is lit



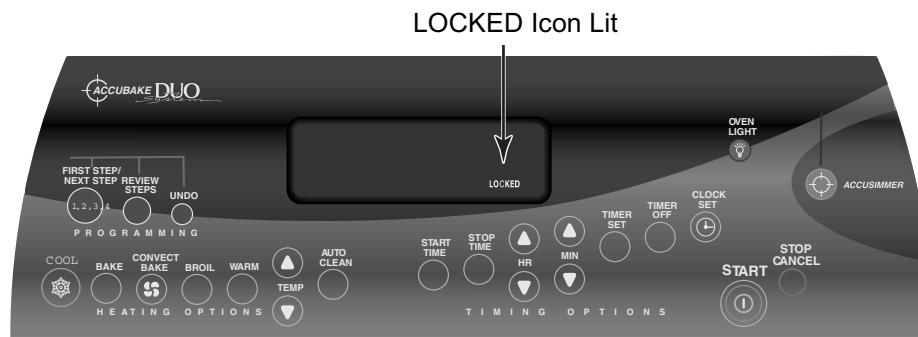
Press the START keypad to progress through the test.

#### Test 5: Latch Drive (Lock)

The door is latched.

- The LOCKED icon is lit

NOTE: If the control does not sense that the door has latched, it will continue to “pulse” the latch mechanism for up to 60 seconds. The control will not leave this test until the door latch closes, and the START keypad is pressed.



Press the START keypad to progress through the test.

#### Test 6: Latch Drive (Unlock)

The door unlocks and should be opened and the Oven Light relay is enabled.

- The LOCKED icon is cleared from the display

Pressing the START keypad will return to Test 1.

To exit the test, press the CANCEL keypad. The test will remain active for 20 minutes before automatic timeout.

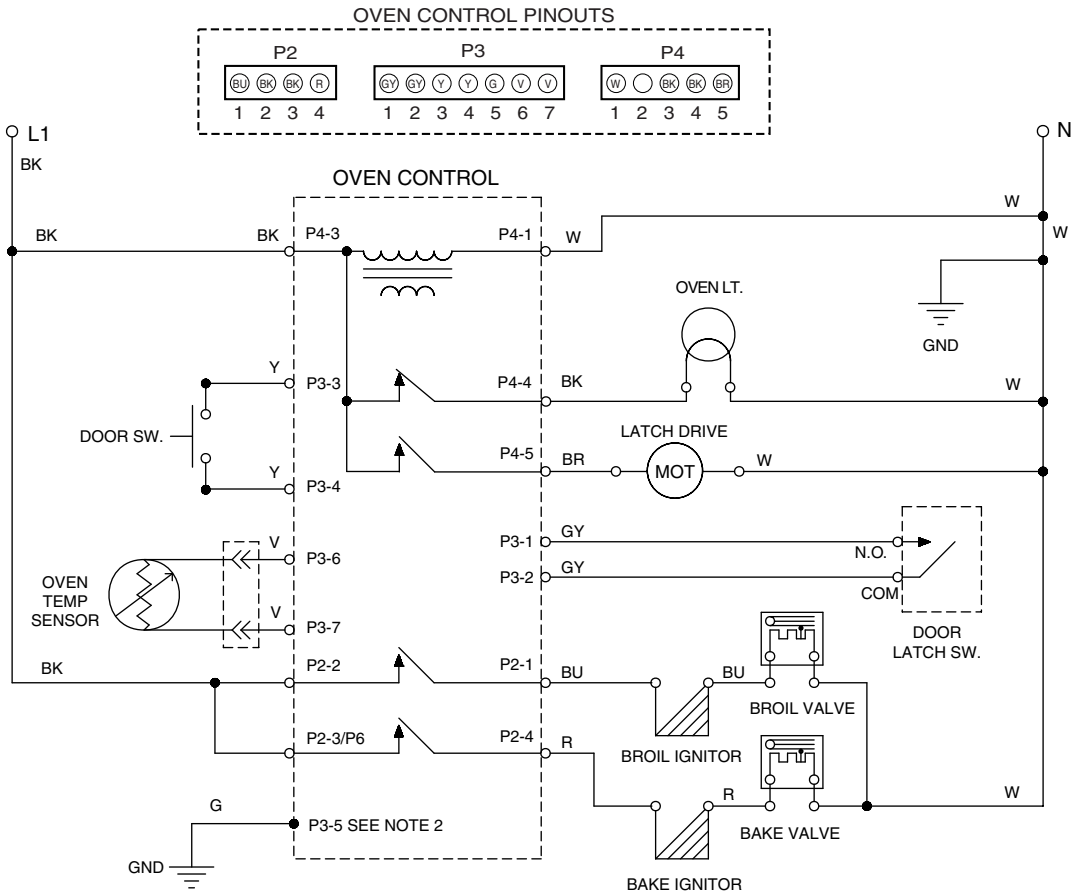
# ERROR / FAILURE CODES

4 DIGIT DISPLAY	3 DIGIT DISPLAY	KNOB CONTROL	FAULT DESCRIPTION	SUGGESTED CORRECTIVE ACTION PROCEDURE
F1 E0	F1	Control will flash the HEATING LED.	EEPROM communication error.	<ol style="list-style-type: none"> <li>1. Disconnect power from oven for longer than 30 seconds.</li> <li>2. Re-apply power and observe for longer than 1 minute.</li> <li>3. If failure remains, disconnect power, replace control, then go back to step 2.</li> </ol>
F1 E1	F1	Control will flash the HEATING LED.	EEPROM checksum error.	
F1 E2	N/A	N/A	UL A/D error.	
F1 E4	N/A	N/A	Model ID error.	
F1 E6	N/A	N/A	Latch signal mismatch error.	
F2 E0	F1	N/A	Shorted keypad.	<ol style="list-style-type: none"> <li>1. Disconnect power from oven for longer than 30 seconds.</li> <li>2. Re-apply power and observe for longer than 5 minutes.</li> <li>3. If failure remains, disconnect power, replace control, then go back to step 2.</li> <li>4. Unplug and replug membrane connector.</li> </ol>
F2 E1	F1	N/A		
F3 E0	F3	Control will flash the OVEN ON and HEATING LEDs continually.	Top oven sensor open.	<ol style="list-style-type: none"> <li>1. a) Measure sensor value between 1000 <math>\Omega</math> @ 32°F and 2697 <math>\Omega</math> @ 900°F. If measurement does not match real temperature, replace sensor and refer to steps 3-5. b) Measure from sensor connector to sensor casing for possible short.</li> <li>2. Trace wires and connectors to sensor, from control, then from sensor back to control. If all connections made and no wire damage, refer to step 3.</li> <li>3. Disconnect power longer than 30 seconds.</li> <li>4. Re-apply power and observe for longer than 1 minute.</li> <li>5. If failure remains, disconnect power, replace control, then go back to step 4.</li> </ol>
F3 E1	F3		Top oven sensor shorted.	
F3 E2	F3		BAKE range over temp.	
F3 E3	F3		CLEAN range over temp.	
F3 E4	N/A	Bottom oven sensor open.		
F3 E5	N/A	Bottom oven sensor shorted.		
F5 E0	F5	Control will flash the DOOR LOCKED / CLEANING LED.	Door and latch switches do not agree (i.e. door open latch closed).	<ol style="list-style-type: none"> <li>1. If door latched: <ol style="list-style-type: none"> <li>a) Disconnect power from unit.</li> <li>b) Check wires and connectors from control to door switch, then from door switch to control. If no damage to wires and all connectors okay, proceed to step c.</li> <li>c) Replace door switch.</li> <li>d) Re-apply power to unit and verify operations.</li> </ol> </li> <li>2. If door not latched: <ol style="list-style-type: none"> <li>a) Disconnect power from unit.</li> <li>b) Check wires and connectors from control to latch switch, then from latch switch to control. If no damage to wires and all connectors okay, proceed to step c.</li> <li>c) Repeat steps a) and b) for door switch.</li> </ol> </li> <li>3. Measure door switch (door open = switch open small low voltage terminals).</li> <li>4. Measure latch switch (unlatch = switch open. NOTE: Oven light contacts are closed).</li> <li>5. If corrections are made in any step, reconnect control to verify correction.</li> <li>6. Check door alignment.</li> <li>7. If failure remains, replace control.</li> </ol>
F5 E1	F5		Latch or latch switch failure.	
	F5		Door lock error during Clean.	
F8 E0	N/A	N/A	Refrigeration not operating properly.	Check for open circuit between control and refrigeration unit.
PF	N/A	N/A	Power failure (not a failure mode).	Do not replace control.
N/A	N/A	Control will flash the OVEN ON LED.	The oven knob is not in the OFF position when the unit is powered up.	Turn knob to OFF position and turn to desired temperature.
N/A	N/A	Control will flash the DOOR LOCKED / CLEANING and HEATING LED.	Centertap voltage failure.	Replace control.

# WIRING DIAGRAMS

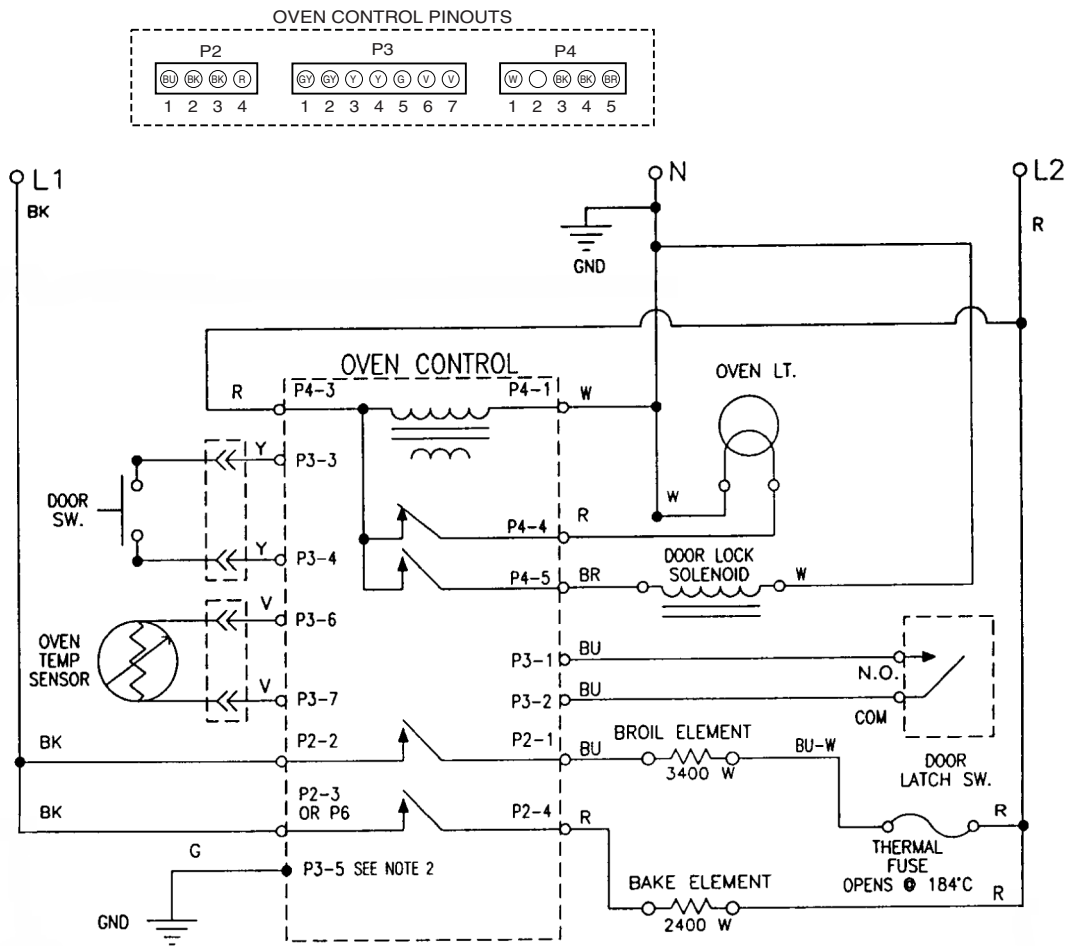
All tech sheet wiring diagrams on the following pages are shown without the cooktop electrical system. For clarity purposes, only the oven control systems are shown.

## Tech Sheet #3196061



- NOTES: 1. Schematic shows door latch switch in the cook position with the oven door open, oven off, and light on.  
 2. Eaton controls do not use the ground connection at P3-5.

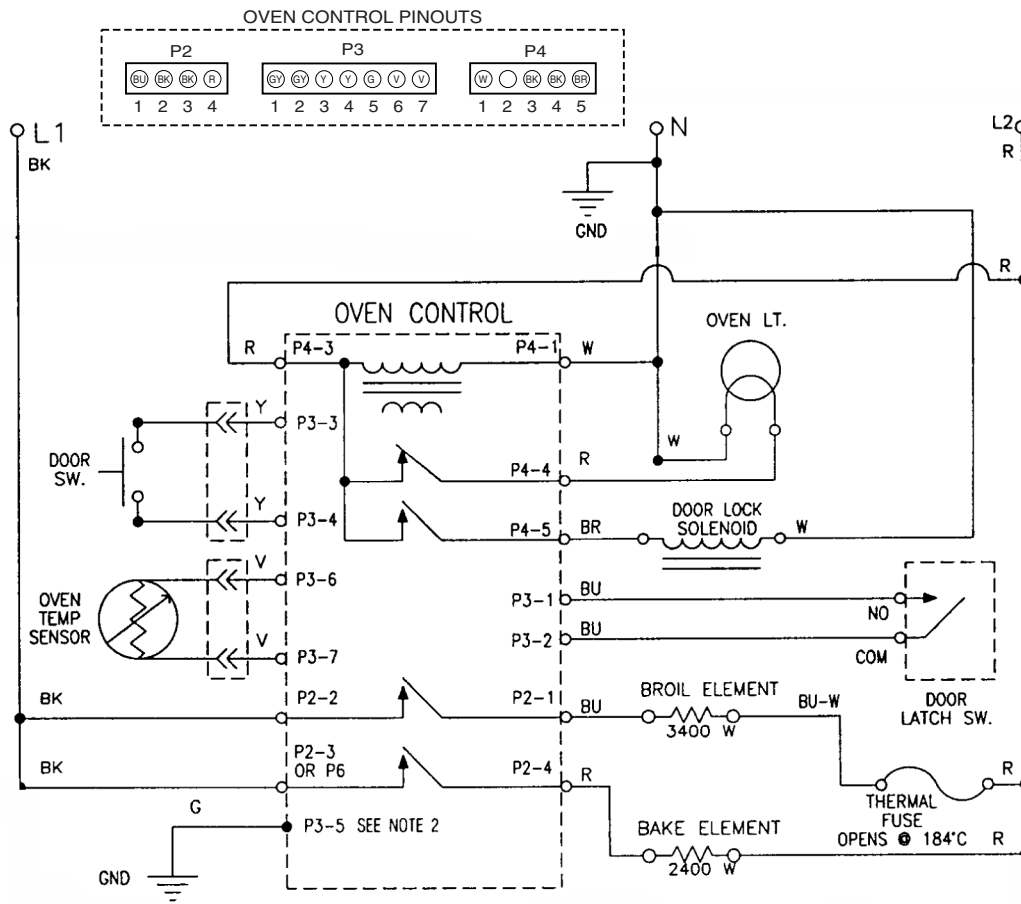
# Tech Sheet #3196077



- NOTES: 1. Schematic shows door latch switch in the cook position with the oven door open, and elements off.
2. Eaton controls do not use the ground connection at P3-5.



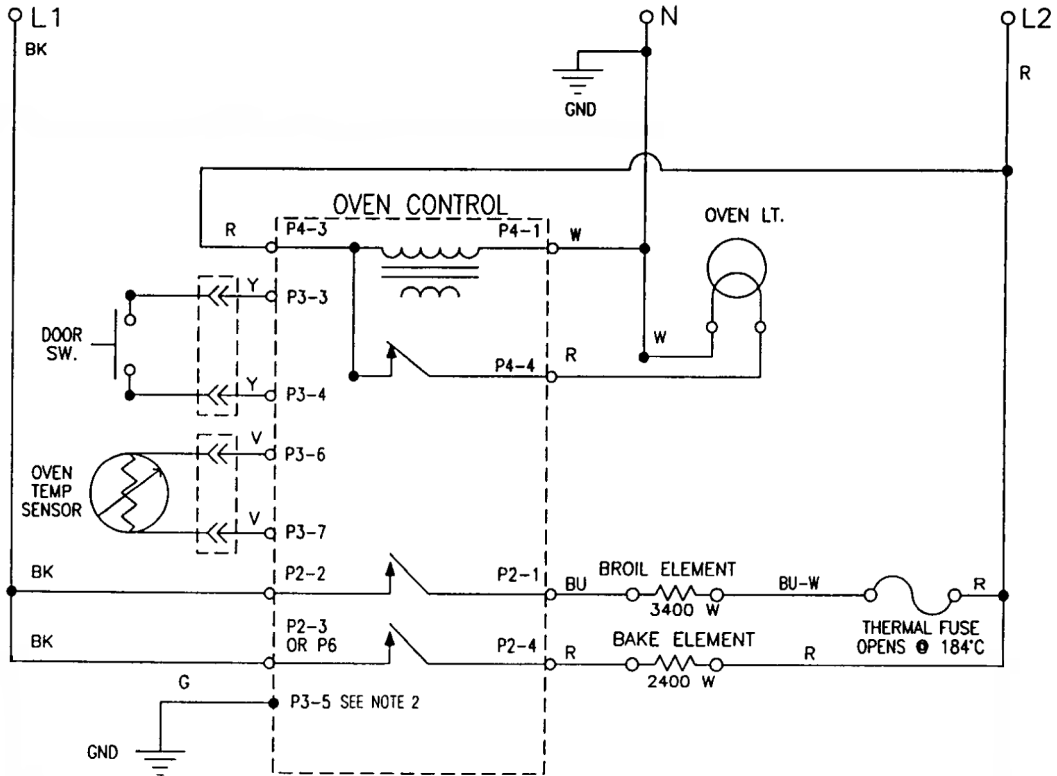
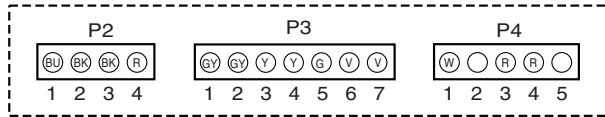
# Tech Sheet #3196078



- NOTES: 1. Schematic shows door latch switch in the cook position with the oven door open, and elements off.
2. Eaton controls do not use the ground connection at P3-5.

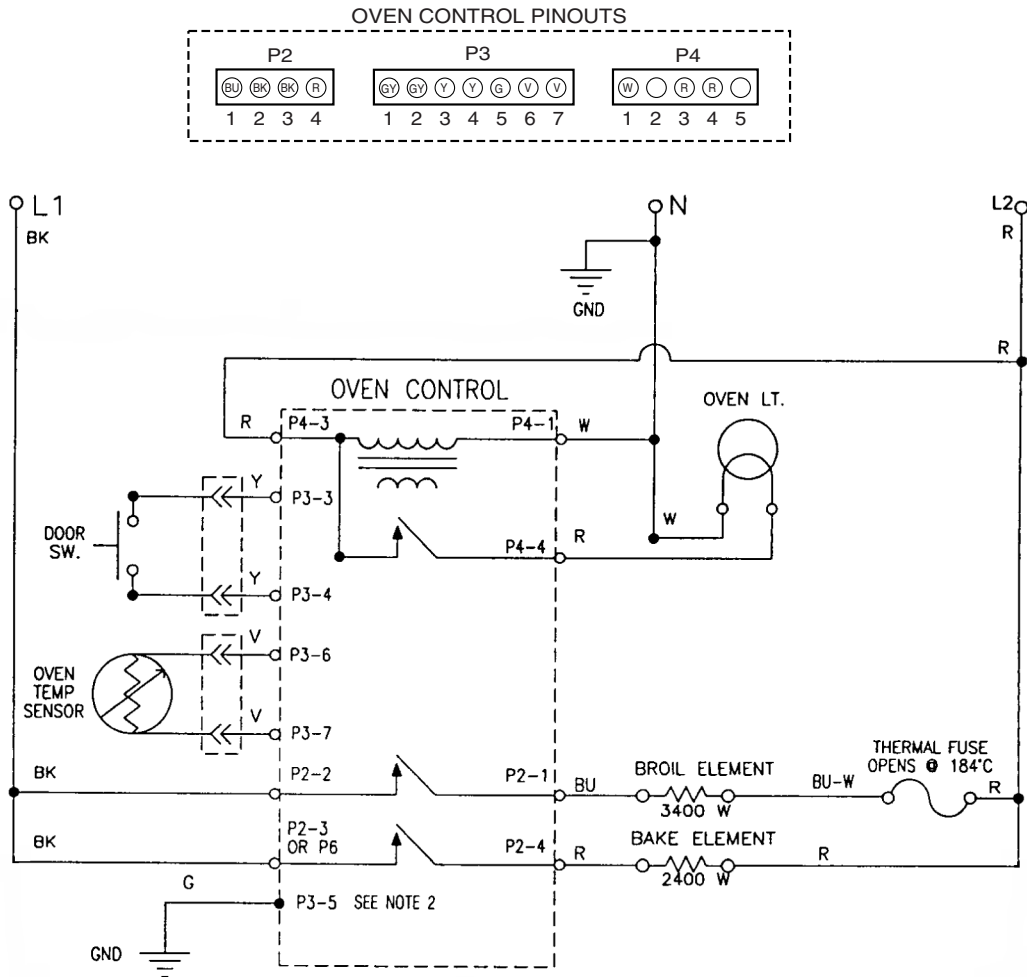
# Tech Sheet #3196100

## OVEN CONTROL PINOUTS



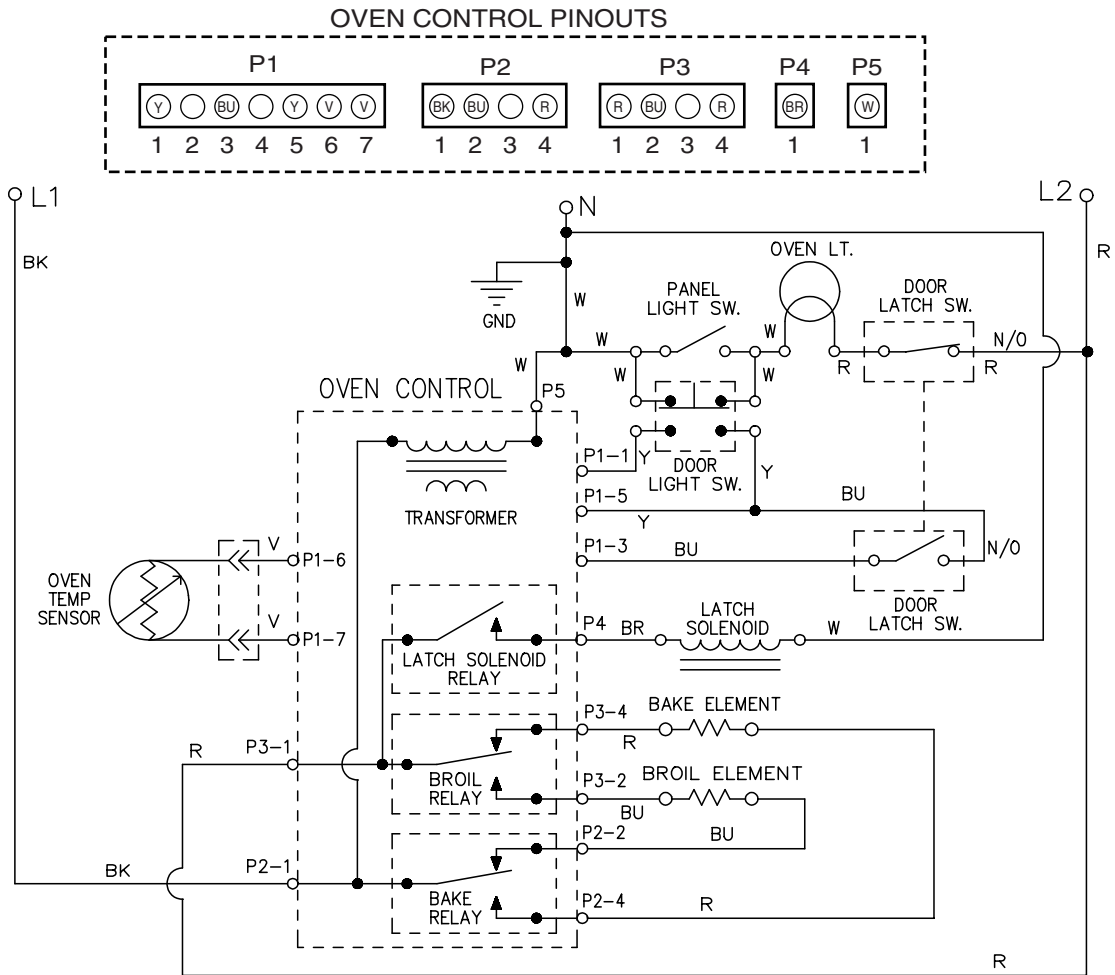
- NOTES: 1. Drawing shows oven door open, and elements off.  
 2. Eaton controls do not use the ground connection at P3-5.

# Tech Sheet #3196106



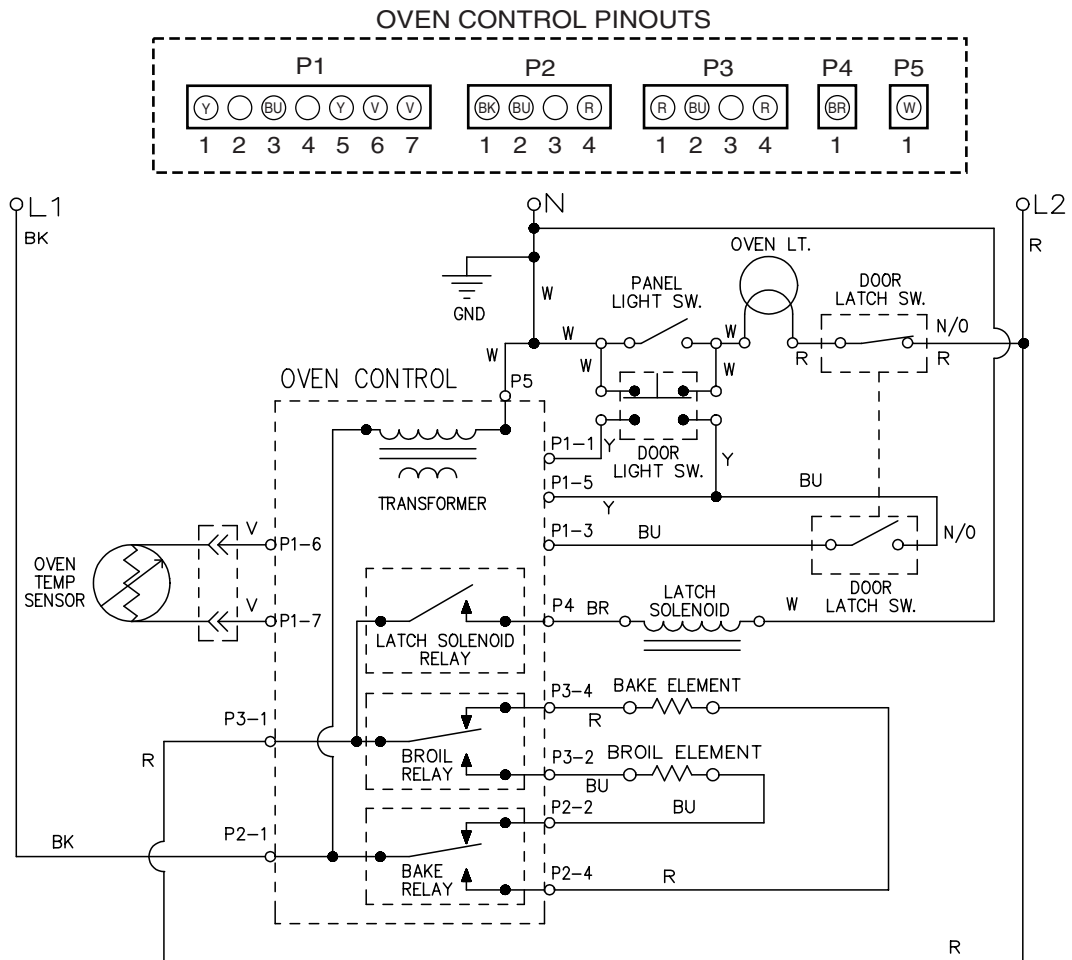
- NOTES: 1. Drawing shows oven door open, and elements off.  
 2. Eaton controls do not use the ground connection at P3-5.

# Tech Sheet #3196133



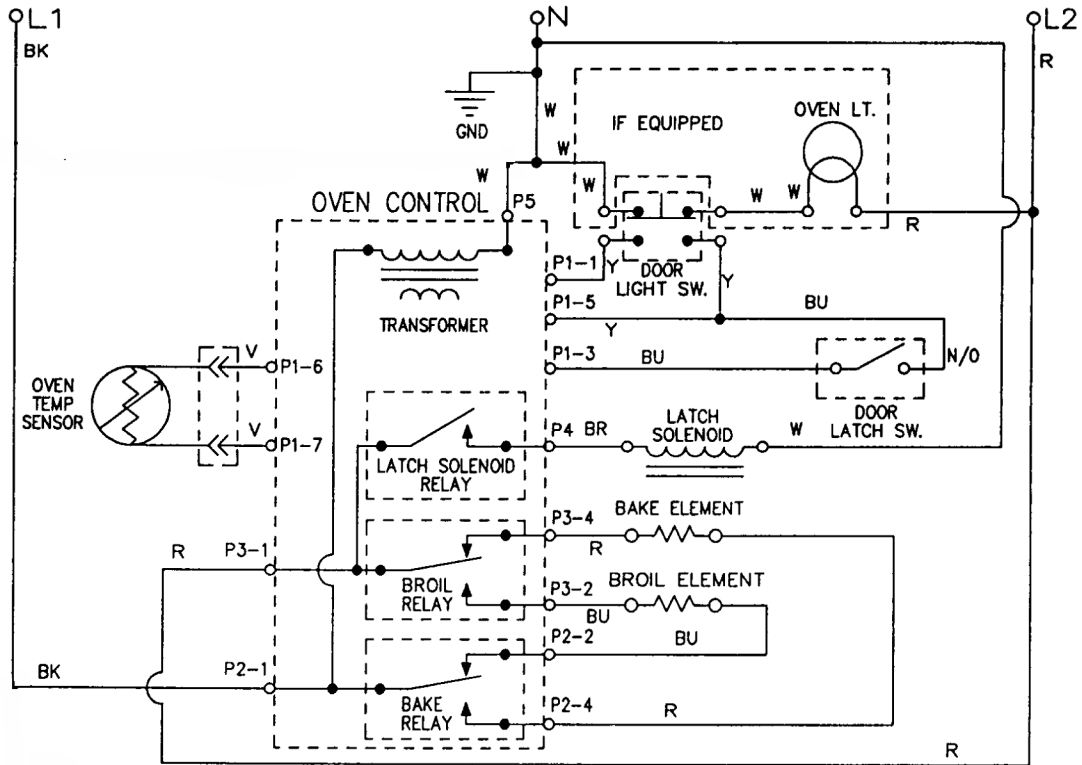
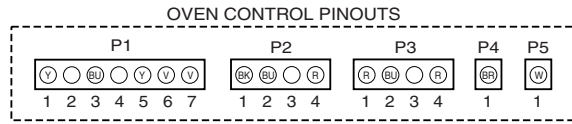
NOTE: Schematic shows oven door open, and the elements off.

# Tech Sheet #3196134



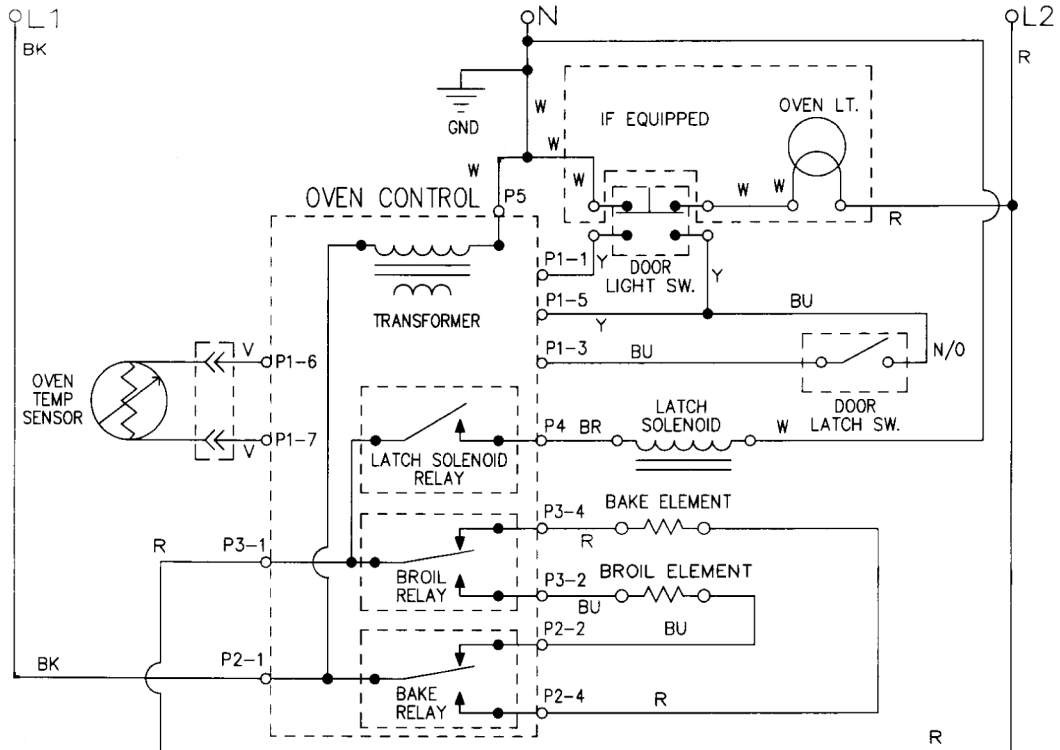
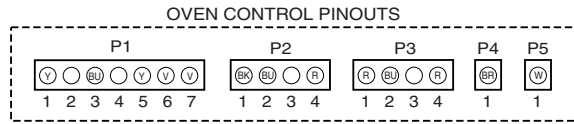
NOTE: Schematic shows oven door open, and the elements off.

# Tech Sheet #3196147



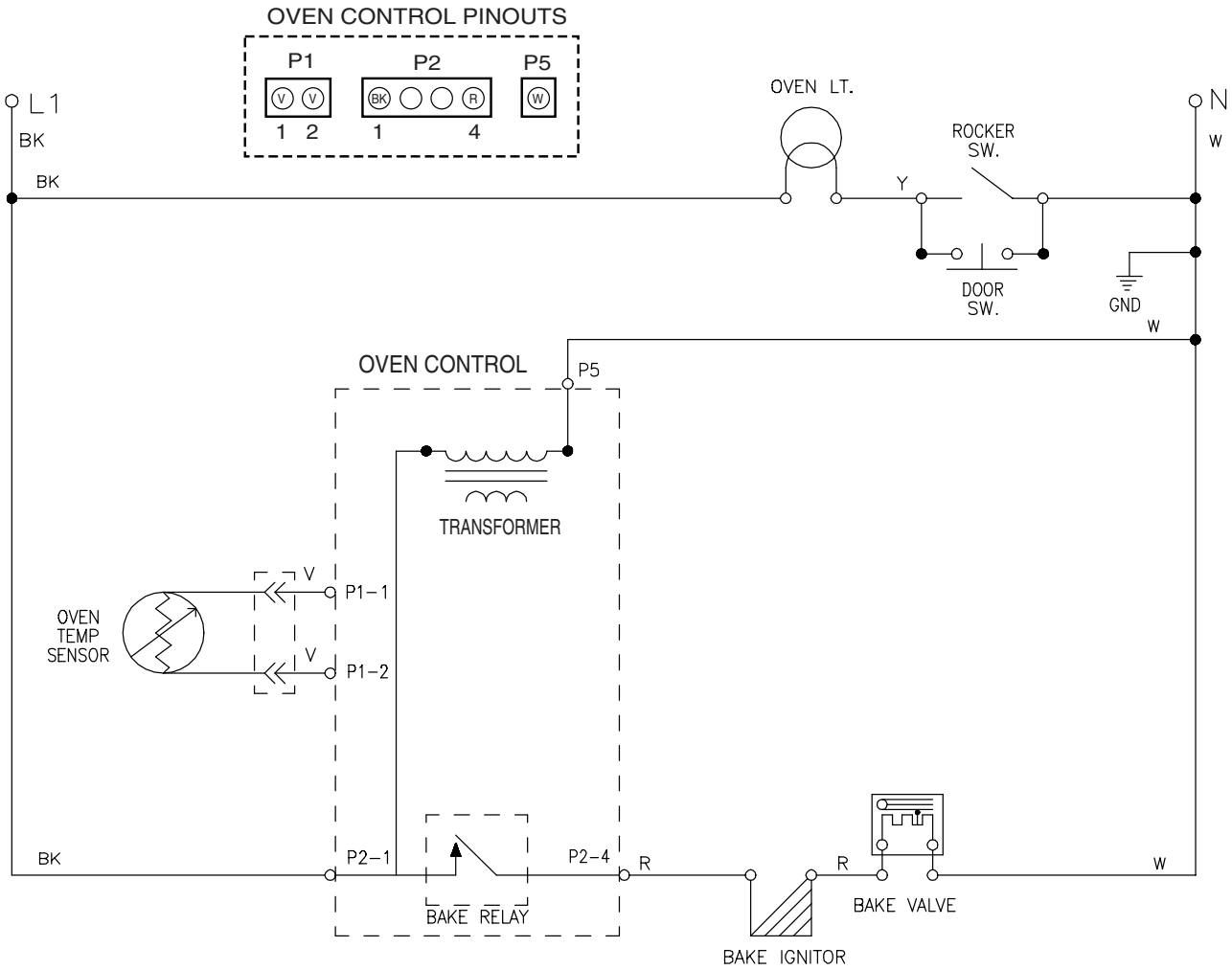
NOTE: DRAWING SHOWS OVEN DOOR OPEN AND ELEMENTS OFF.

# Tech Sheet #3196148



NOTE: DRAWING SHOWS DOOR LATCH SWITCH IN THE COOK POSITION WITH OVEN DOOR OPEN AND ELEMENTS OFF.

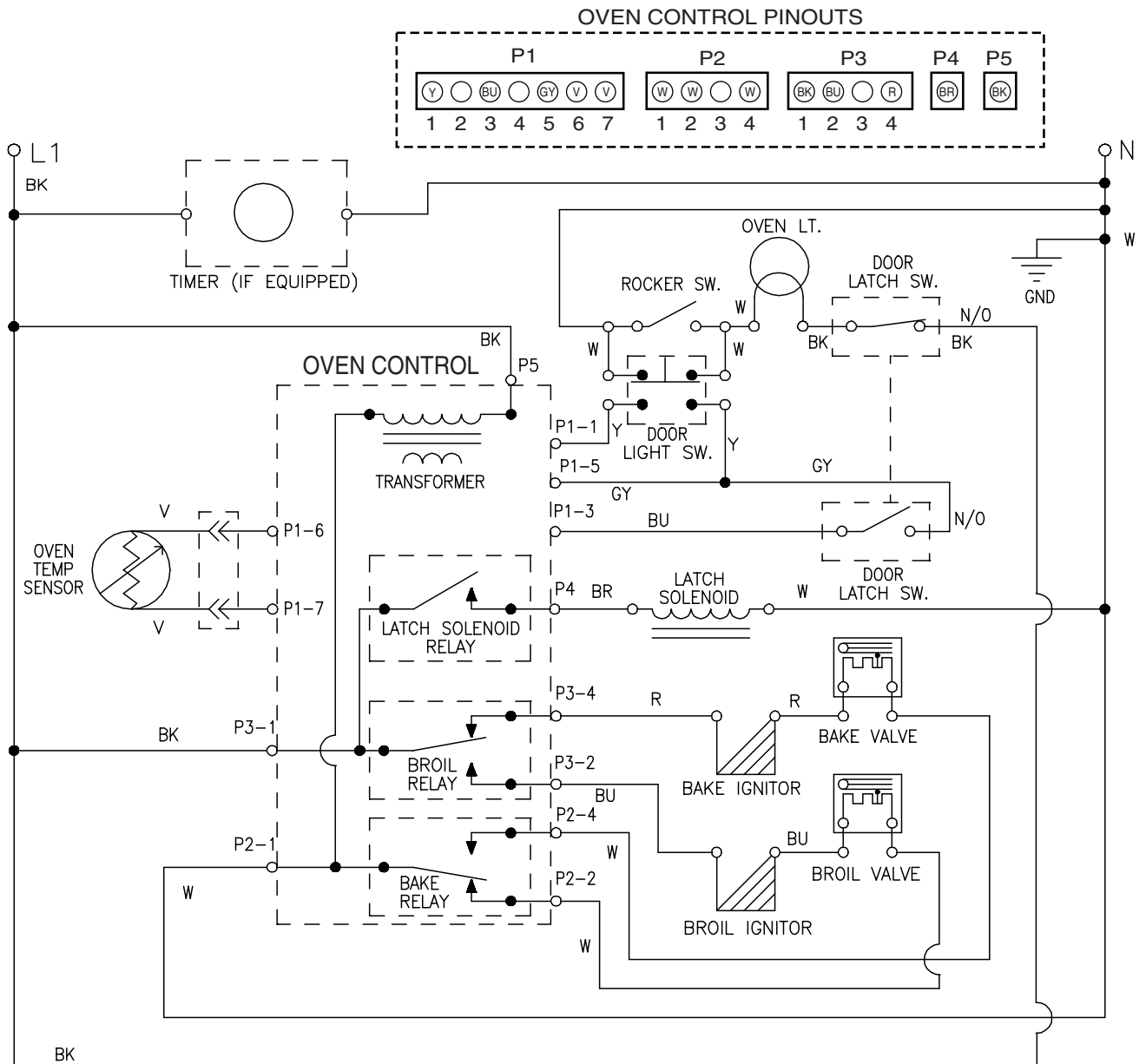
# Tech Sheet #3196192 & #3196194



NOTE: Drawing shows door latch switch in the cook position with oven door open, and oven light on.

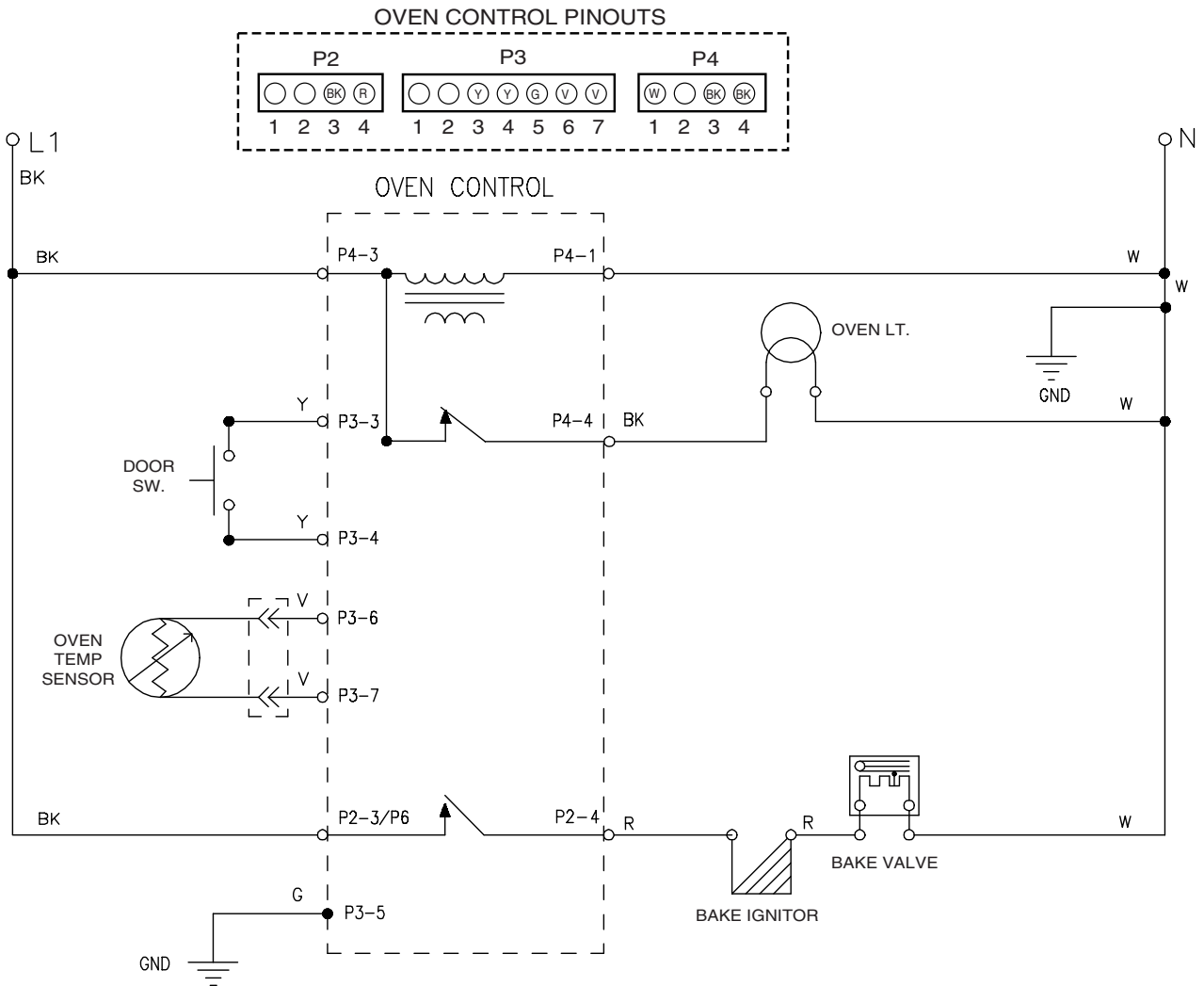


# Tech Sheet #3196193



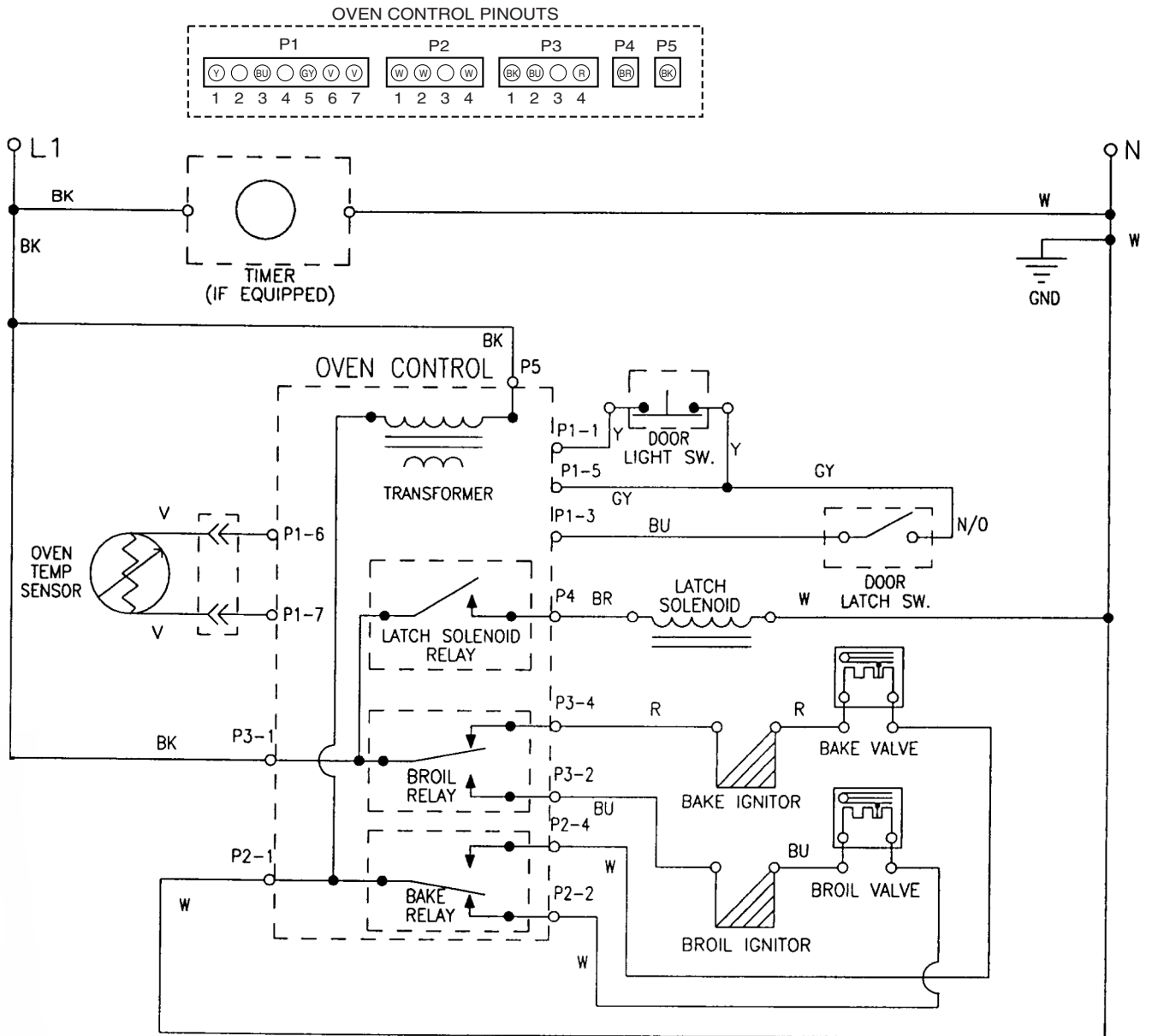
NOTE: Drawing shows door latch switch in the cook position with oven door open, and oven light on.

# Tech Sheet #3196195



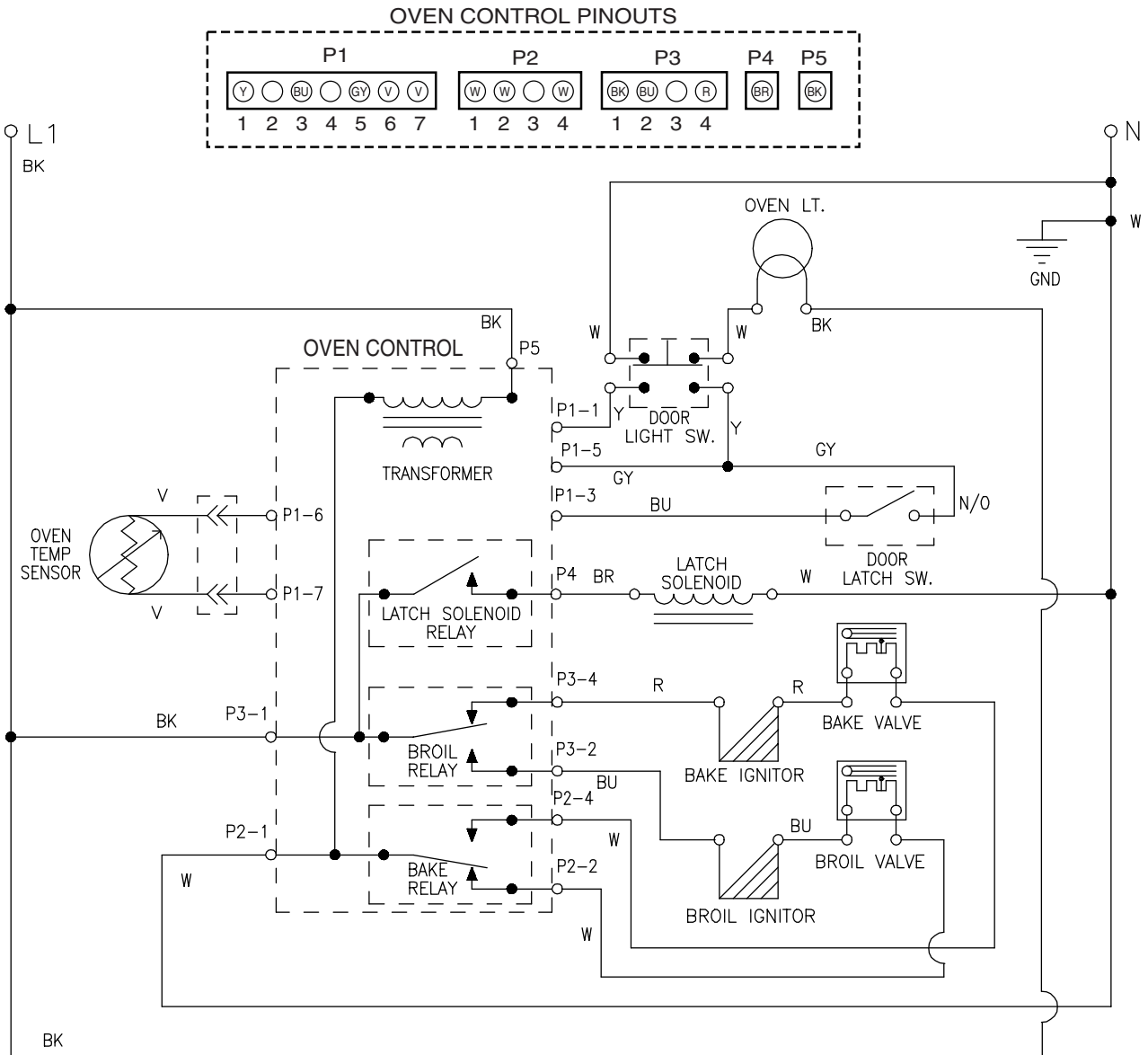
NOTE: Drawing shows door latch switch in the cook position with oven door open, and oven light on.

# Tech Sheet #3196331 & #3196333



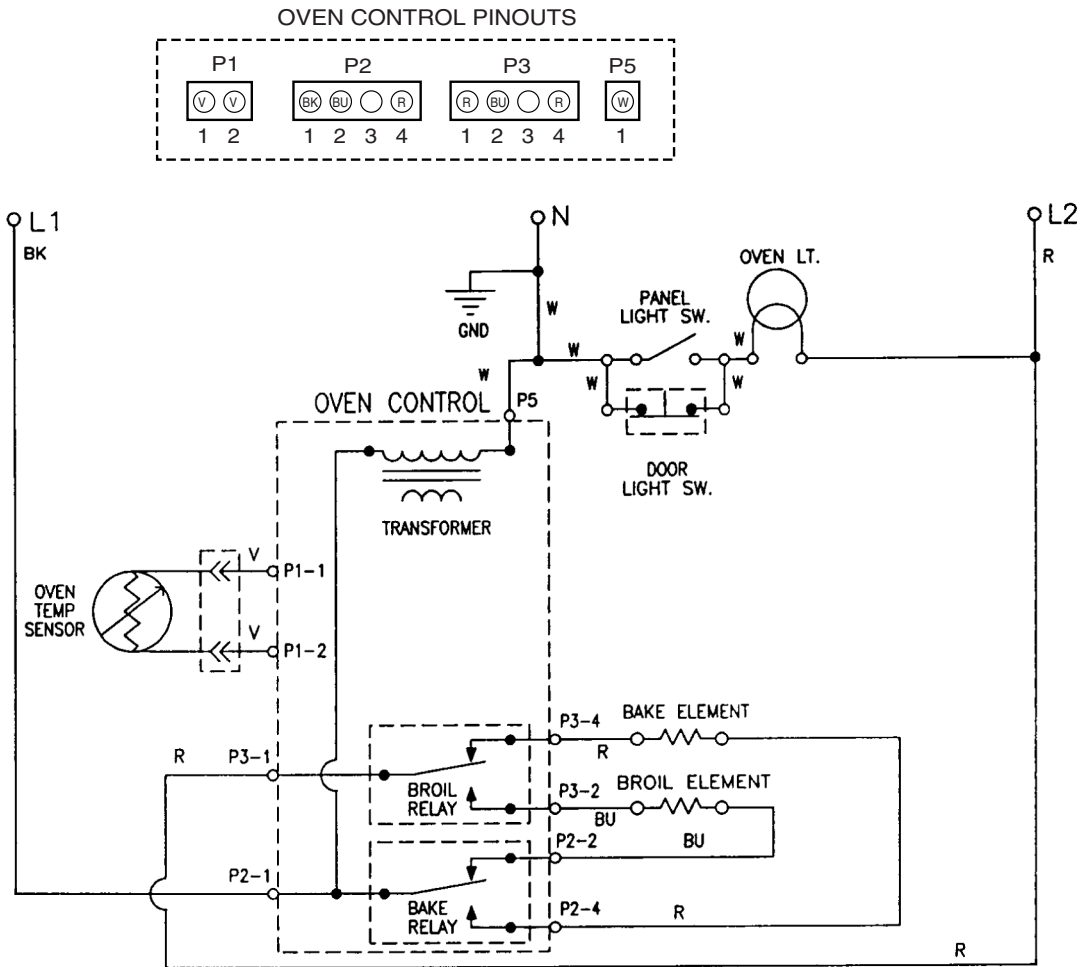
NOTE: Drawing shows door latch switch in the cook position with oven door open, oven off, and light on.

# Tech Sheet #3196334



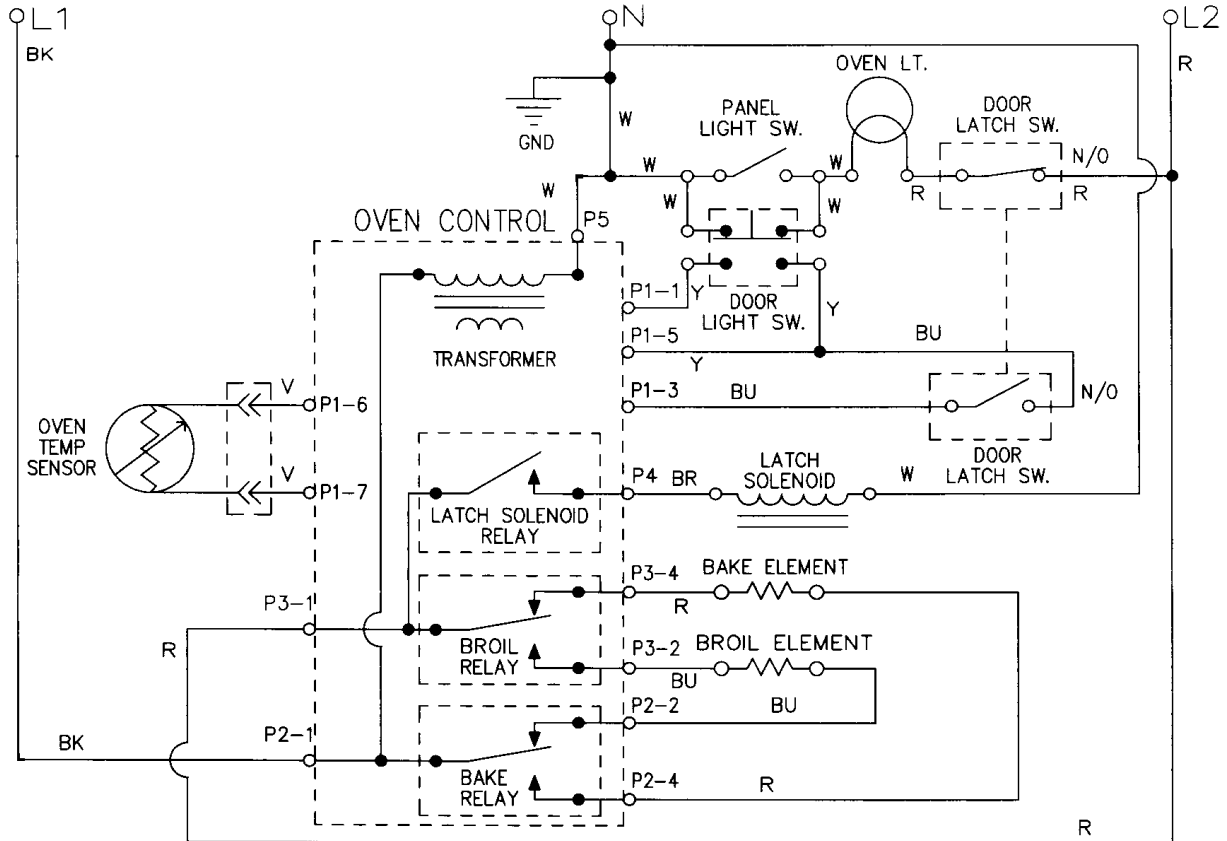
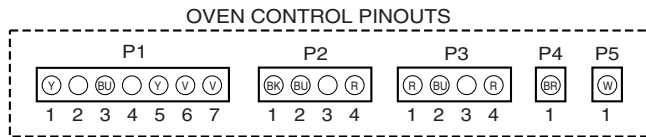
NOTE: Drawing shows door latch switch in the cook position with oven door open, oven off, and light on.

# Tech Sheet #3196478



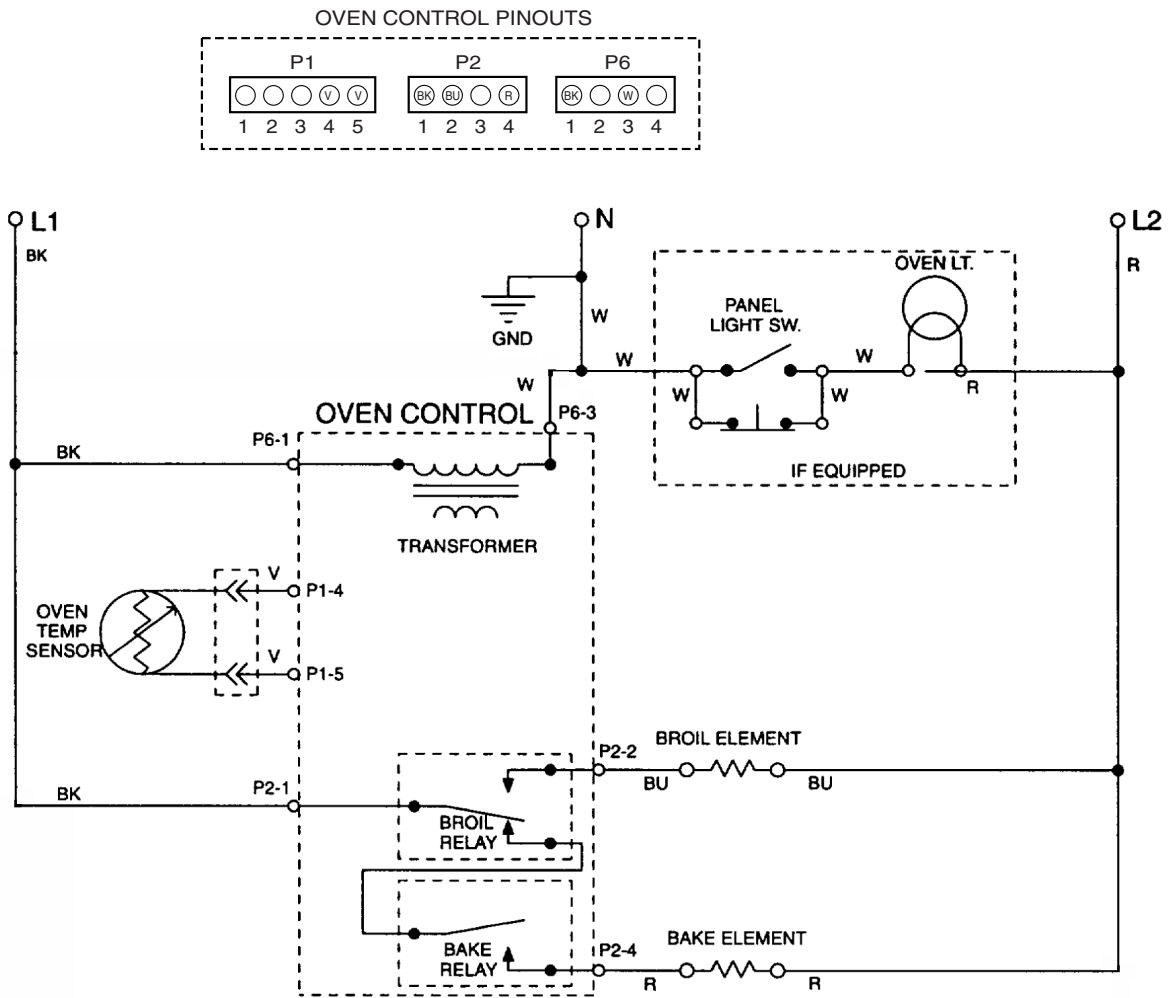
NOTE: DRAWING SHOWS DOOR LATCH SWITCH IN THE COOK POSITION WITH OVEN DOOR OPEN AND ELEMENTS OFF.

# Tech Sheet #3196711



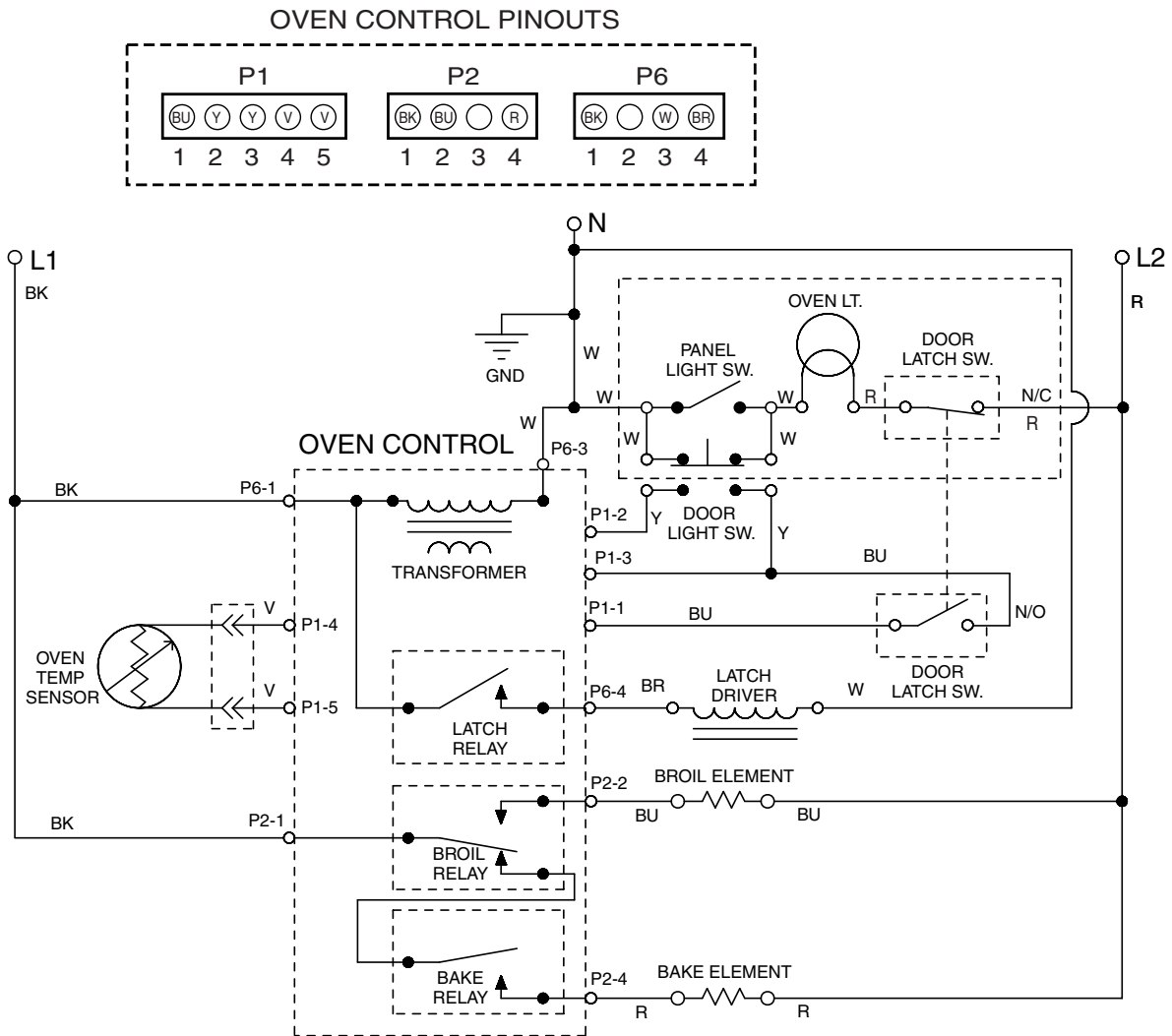
NOTE: DRAWING SHOWS DOOR LATCH SWITCH IN THE COOK POSITION WITH OVEN DOOR OPEN AND ELEMENTS OFF.

# Tech Sheet #8053290



NOTE: DRAWING SHOWS DOOR LATCH SWITCH  
IN THE COOK POSITION WITH OVEN DOOR  
OPEN AND ELEMENTS OFF.

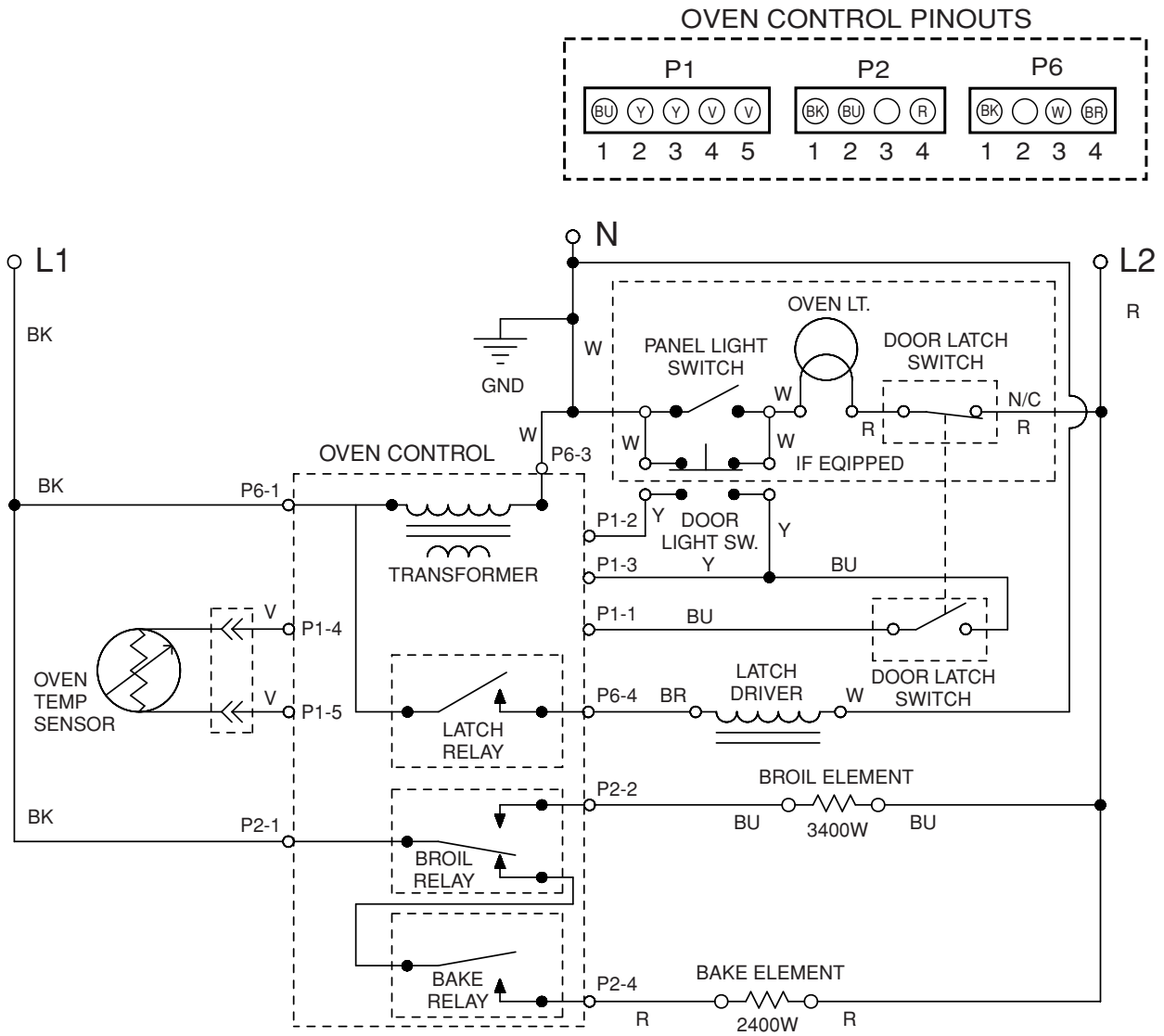
# Tech Sheet #8053291



NOTE: Drawing shows door latch switch in the cook position with oven door open, oven off, and elements off.



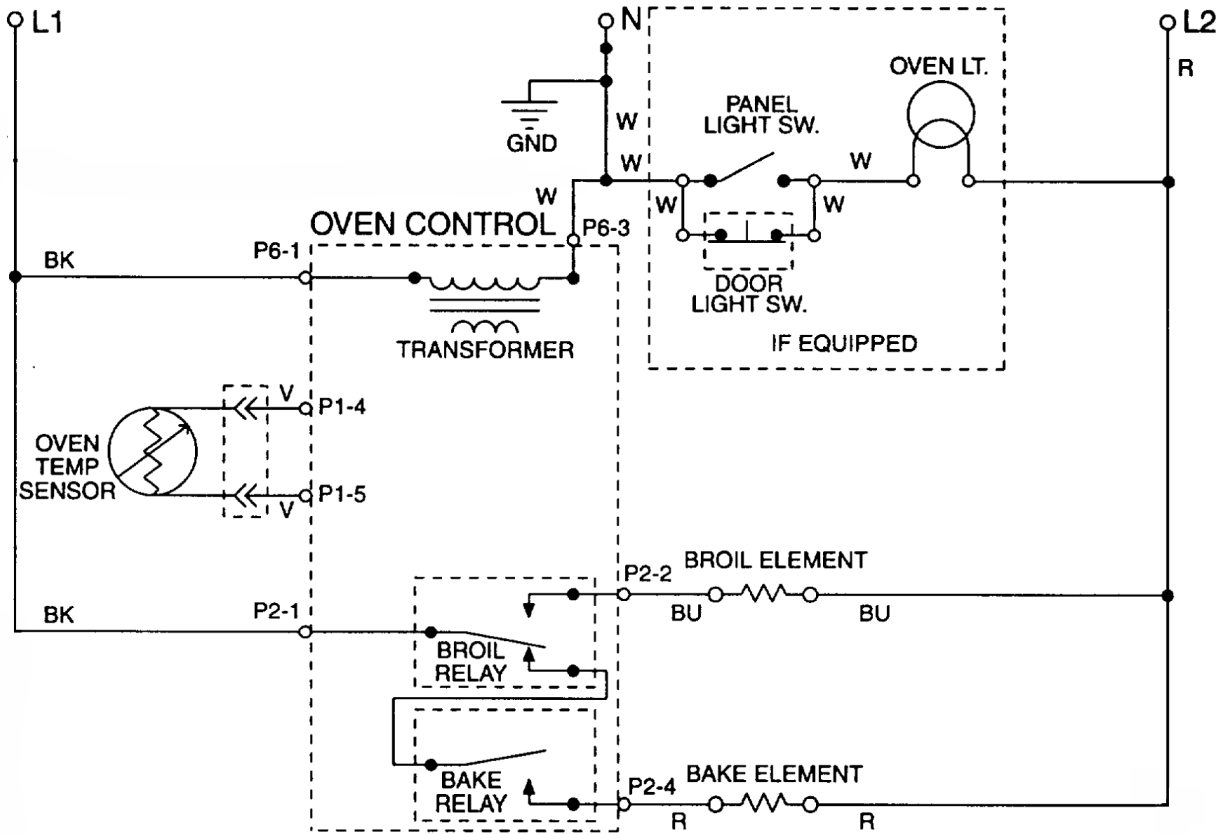
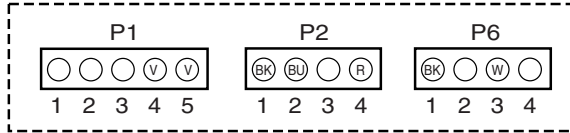
# Tech Sheet #8053292 & #8053296



NOTE: DRAWING SHOWS DOOR LATCH SWITCH IN COOK POSITION WITH OVEN DOOR OPEN AND ELEMENTS OFF.

# Tech Sheet #8053293

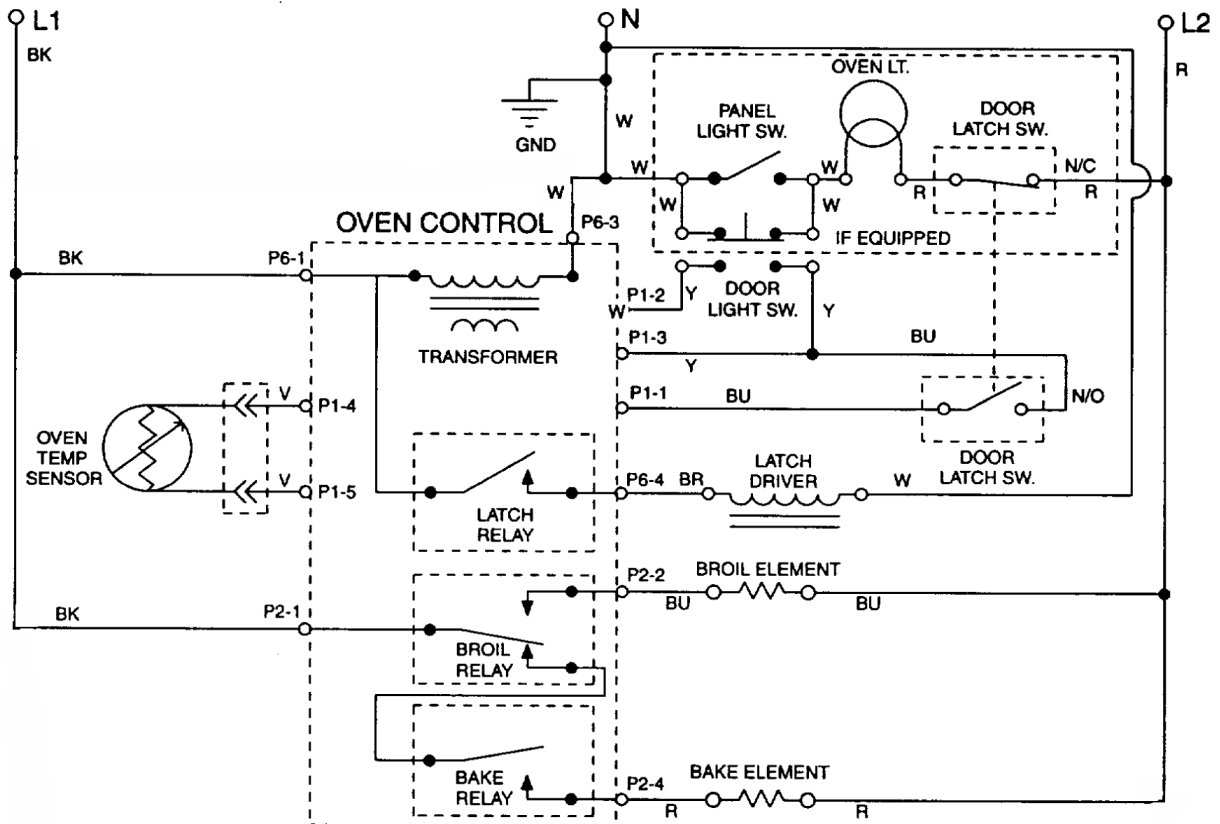
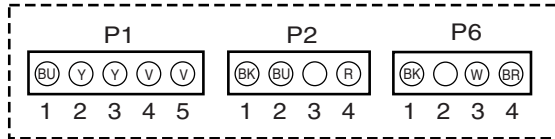
## OVEN CONTROL PINOUTS



NOTE: DRAWING SHOWS DOOR LATCH SWITCH  
IN THE COOK POSITION WITH OVEN DOOR  
OPEN AND ELEMENTS OFF.

# Tech Sheet #8053294

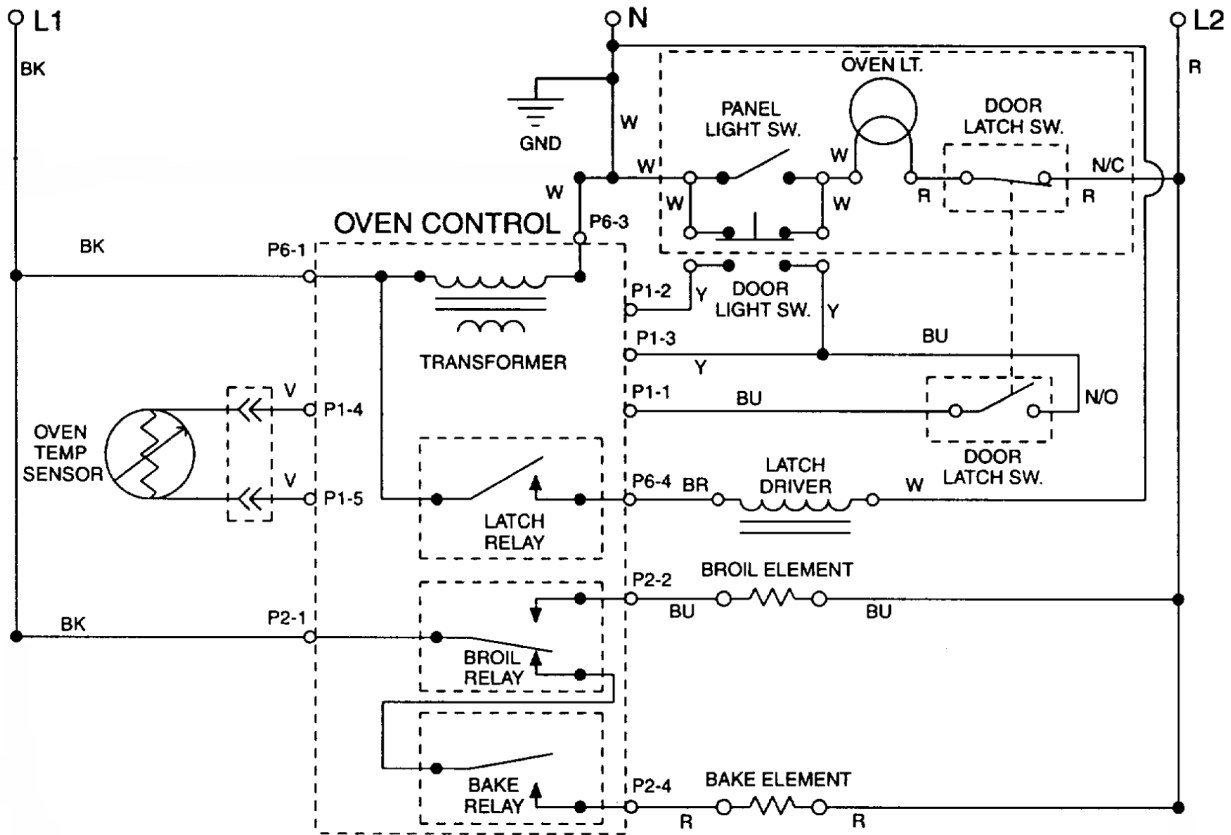
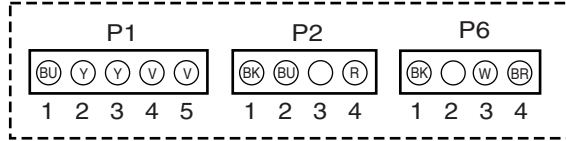
## OVEN CONTROL PINOUTS



NOTE: DRAWING SHOWS DOOR LATCH SWITCH  
IN COOK POSITION WITH OVEN DOOR  
OPEN AND ELEMENTS OFF.

# Tech Sheet #8053298

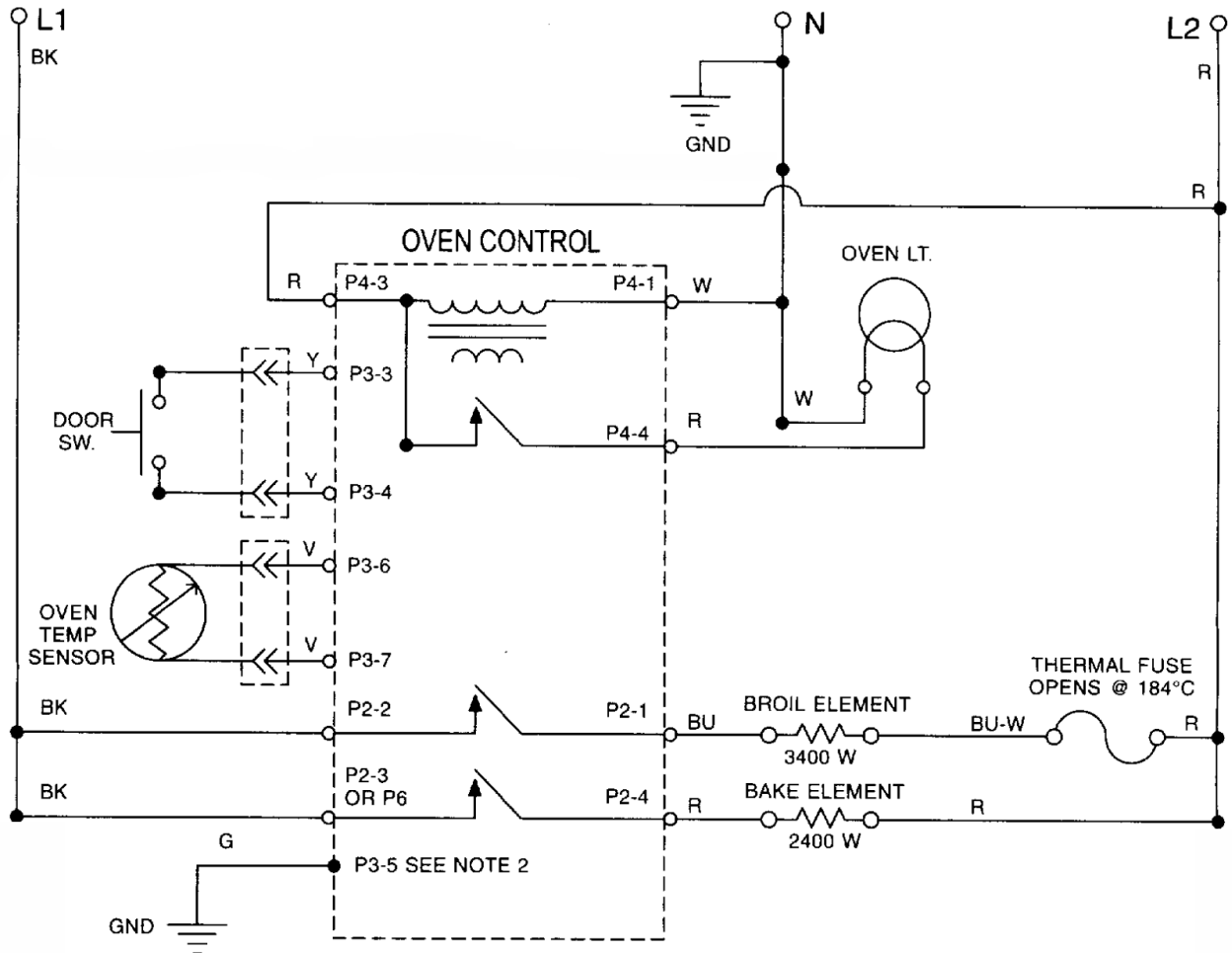
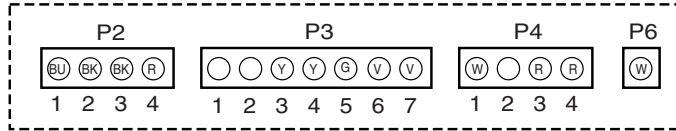
## OVEN CONTROL PINOUTS



NOTE: DRAWING SHOWS OVEN DOOR OPEN AND ELEMENTS OFF.

# Tech Sheet #8053301

## OVEN CONTROL PINOUTS

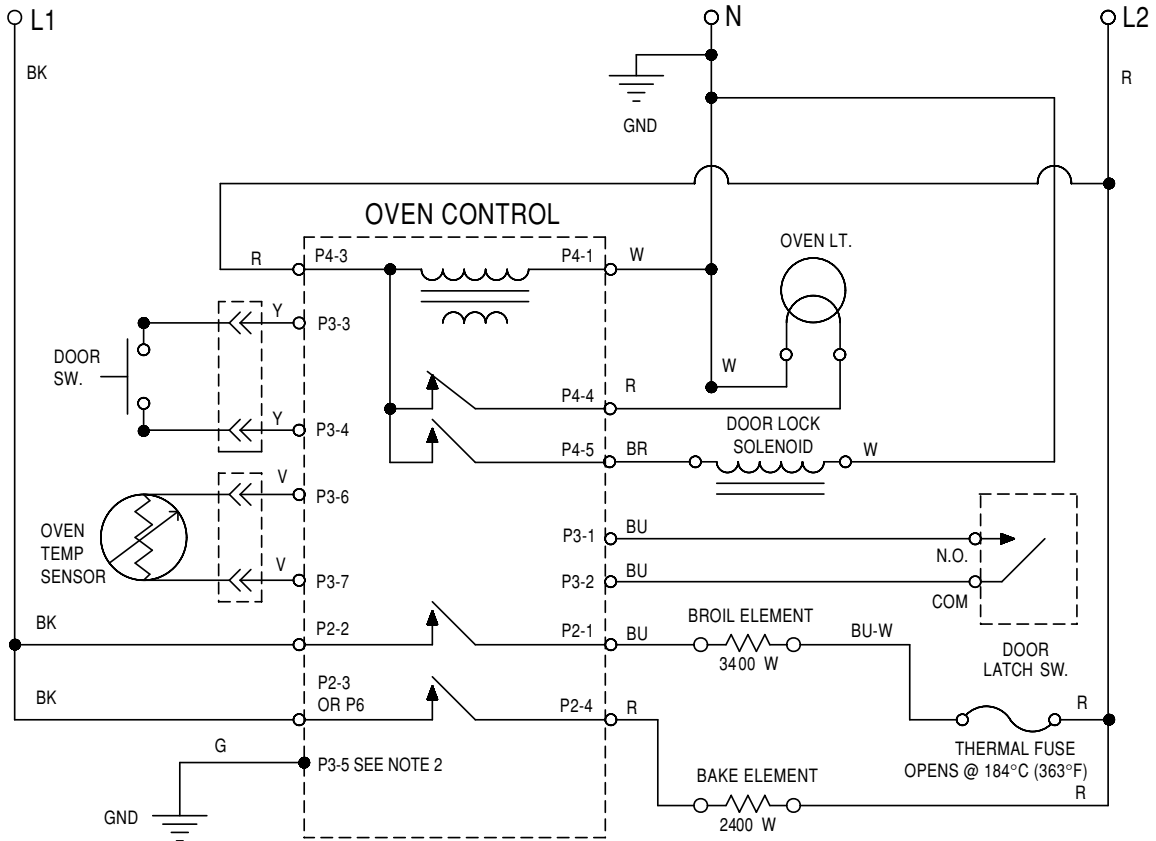
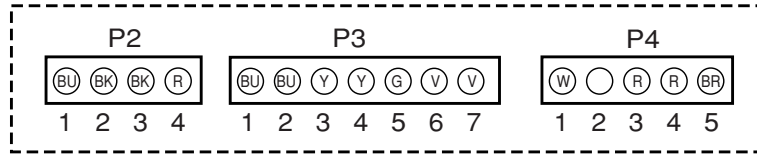


NOTE: 1.) Drawing shows oven door open and elements off.

2.) Eaton Controls do not use the ground connection at P3-5.

# Tech Sheet #8053302

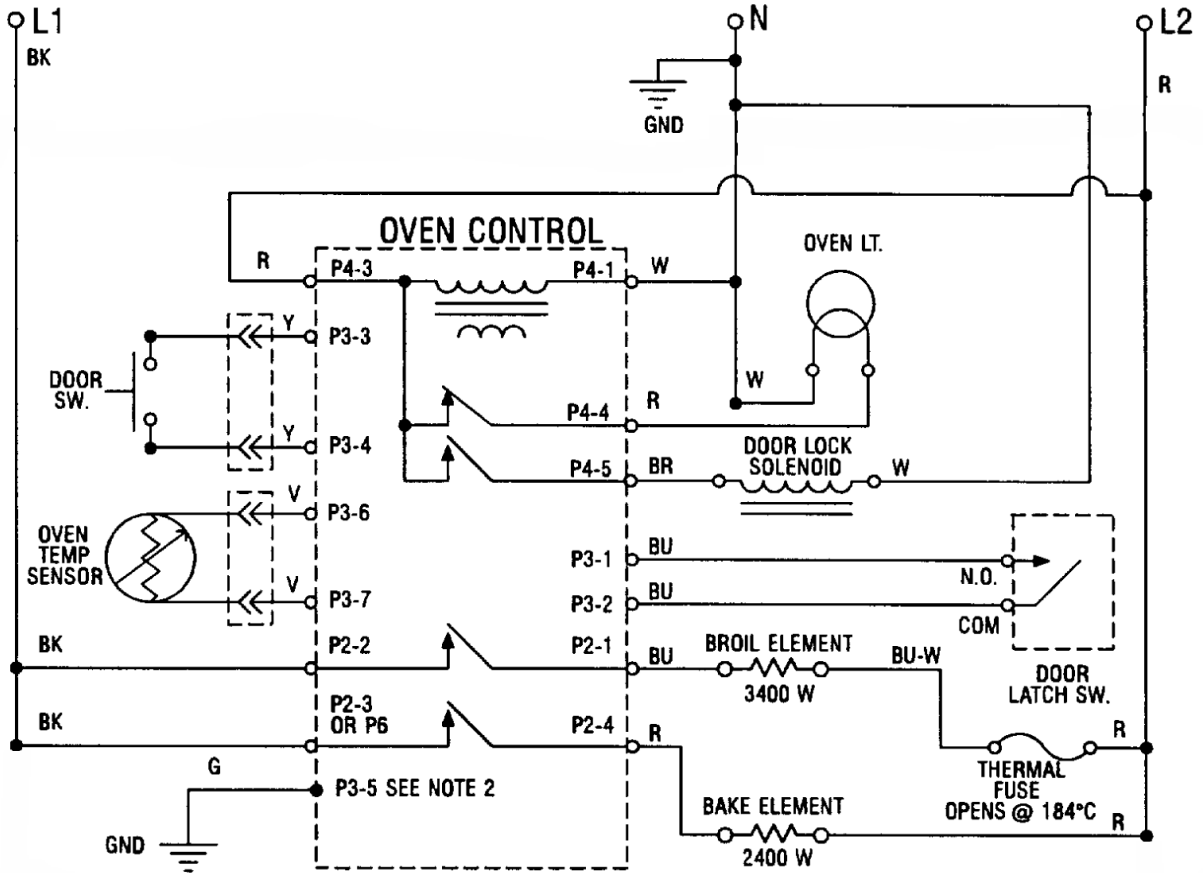
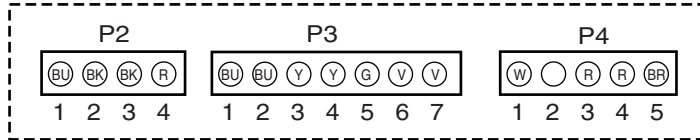
## OVEN CONTROL PINOUTS



- NOTES: 1. Schematic shows door latch switch in the cook position with the oven door open, and elements off.  
 2. Eaton controls do not use the ground connection at P3-5.

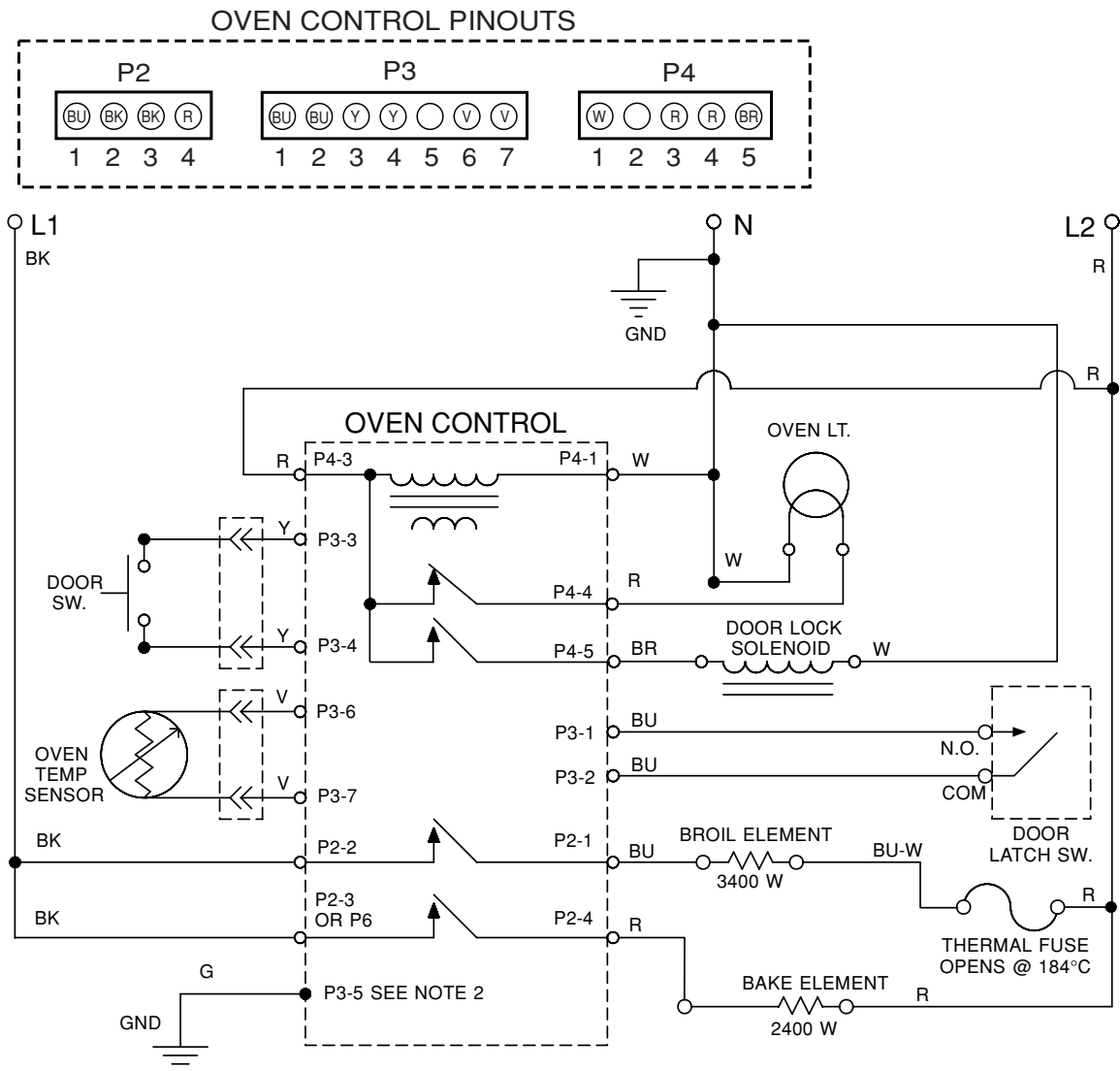
# Tech Sheet #8053303

## OVEN CONTROL PINOUTS



- NOTES:
1. Schematic shows door latch switch in the cook position with the oven door open, and elements off.
  2. Eaton controls do not use the ground connection at P3-5.

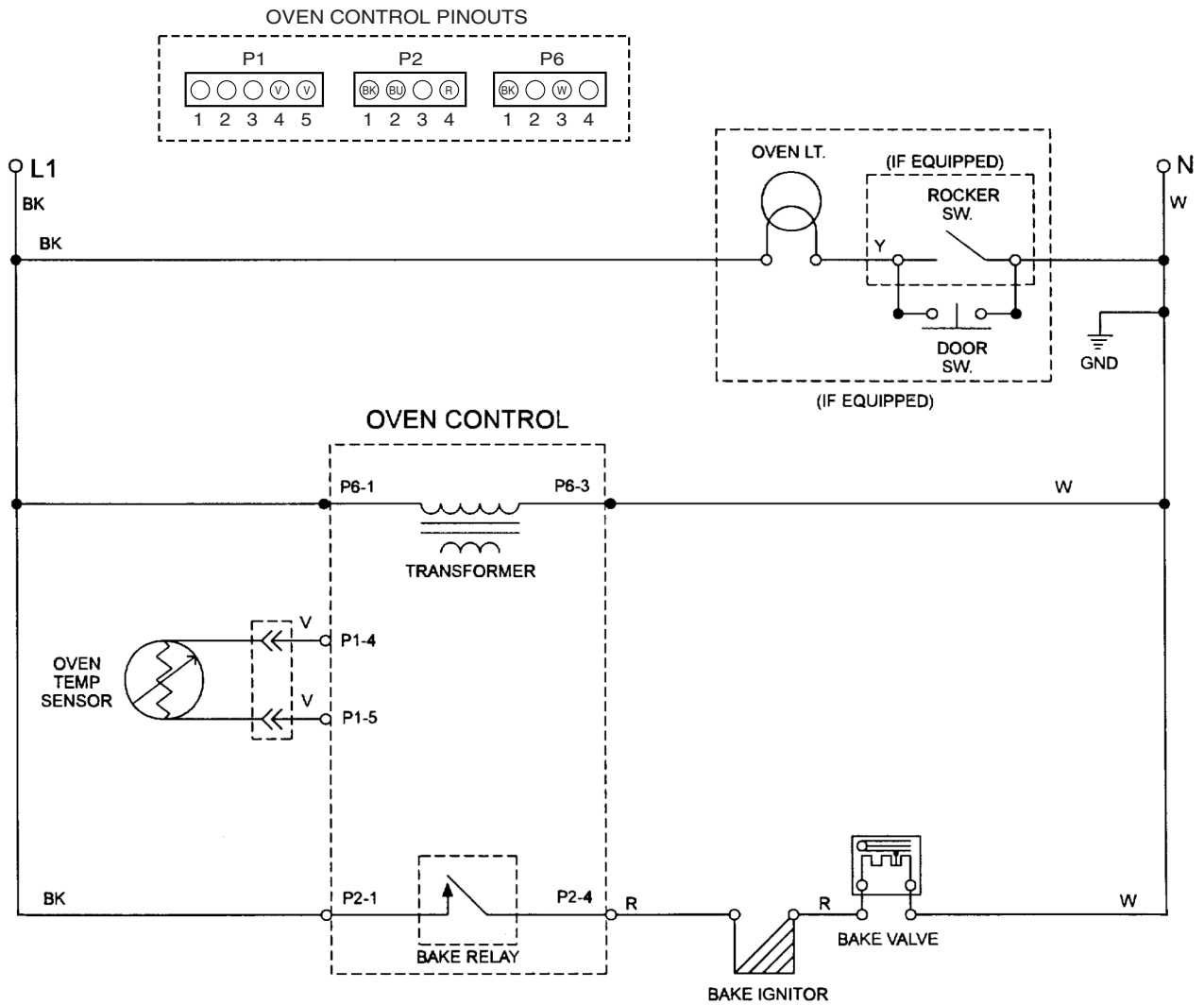
# Tech Sheet #8053304



- NOTES: 1. Schematic shows door latch switch in the cook position with the oven door open, and elements off.  
 2. Eaton controls do not use the ground connection at P3-5.

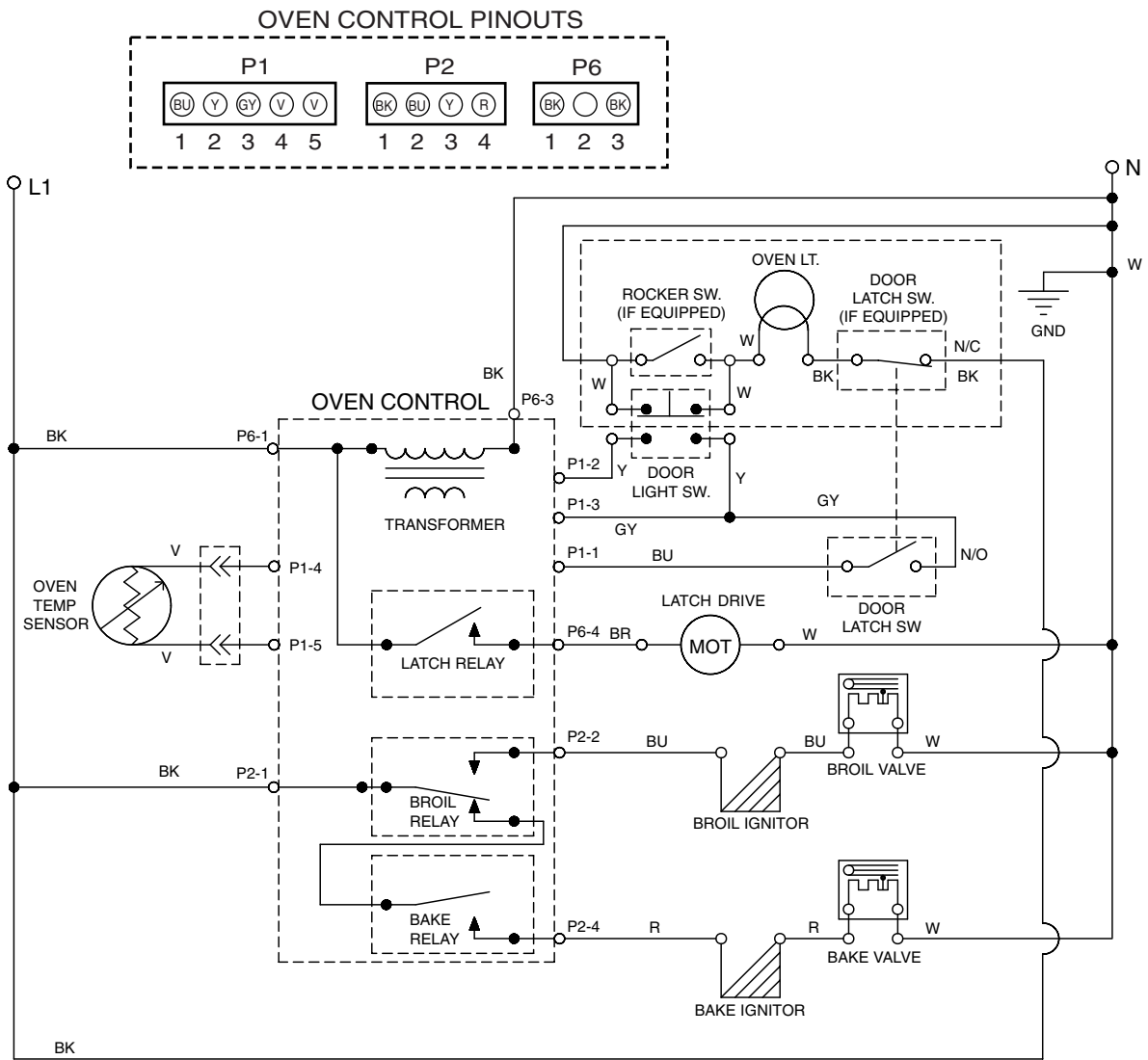


# Tech Sheet #8053551 & #8053556



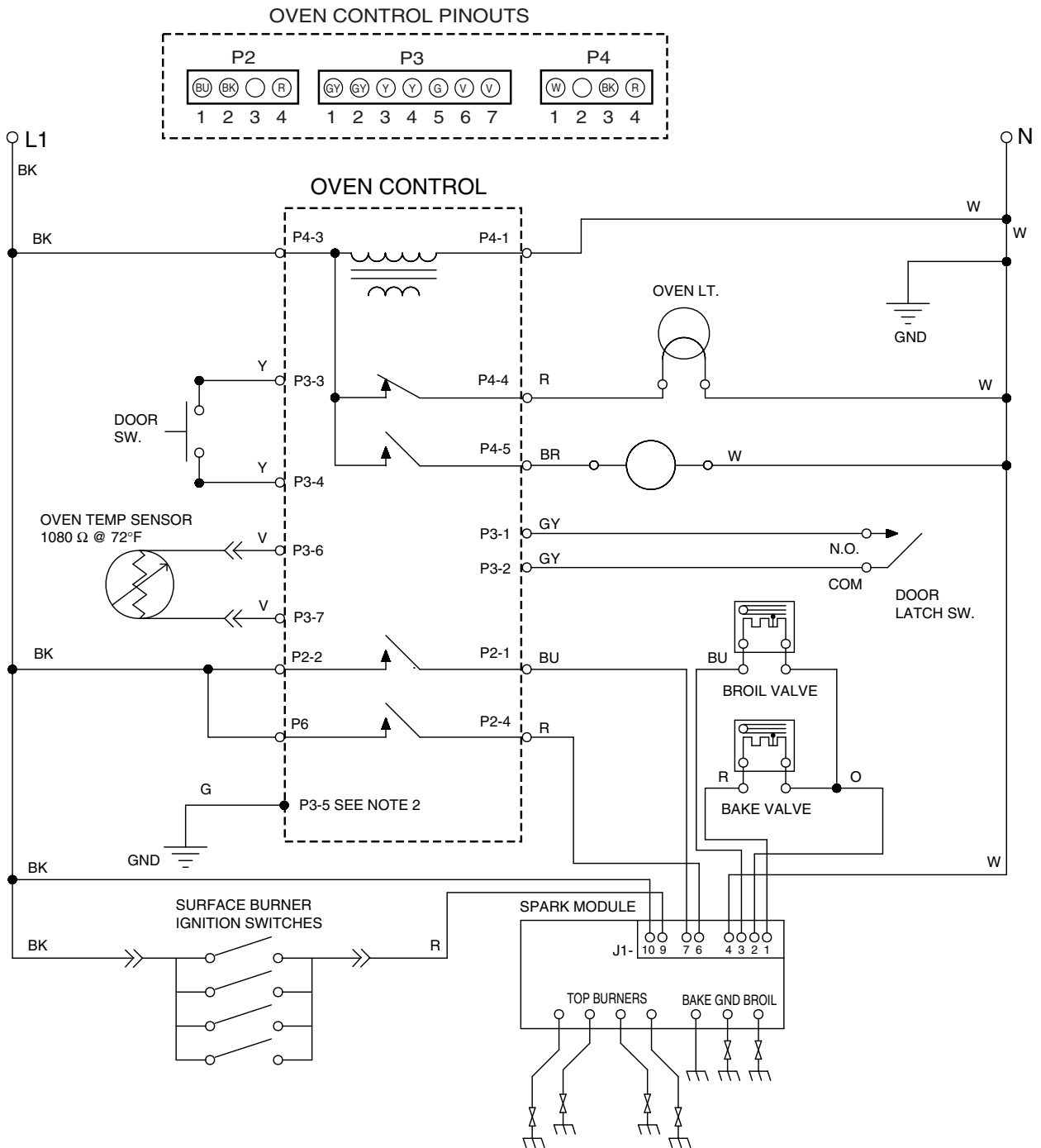
NOTE: Drawing shows door latch switch in the cook position with oven door open, oven off, and light on.

# Tech Sheet #8053552



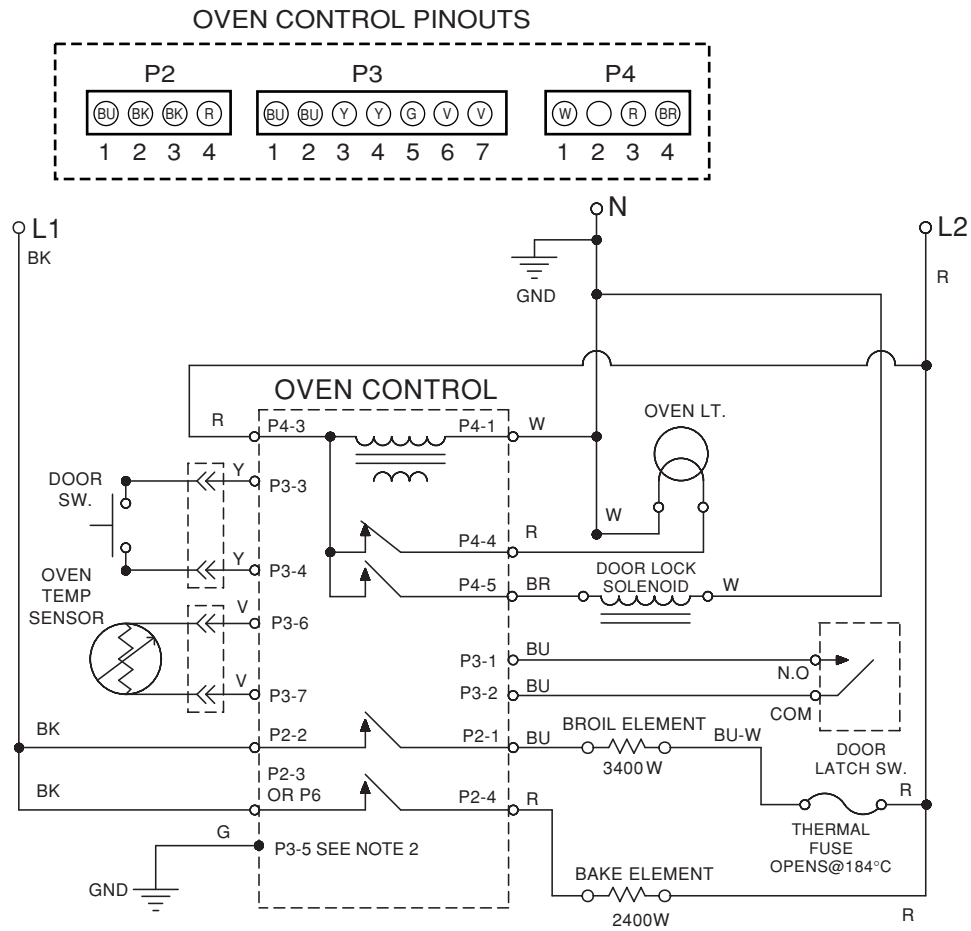
NOTE: Drawing shows door latch switch in the cook position with oven door open, oven off, and light on.

# Tech Sheet #8272221 & #8272223



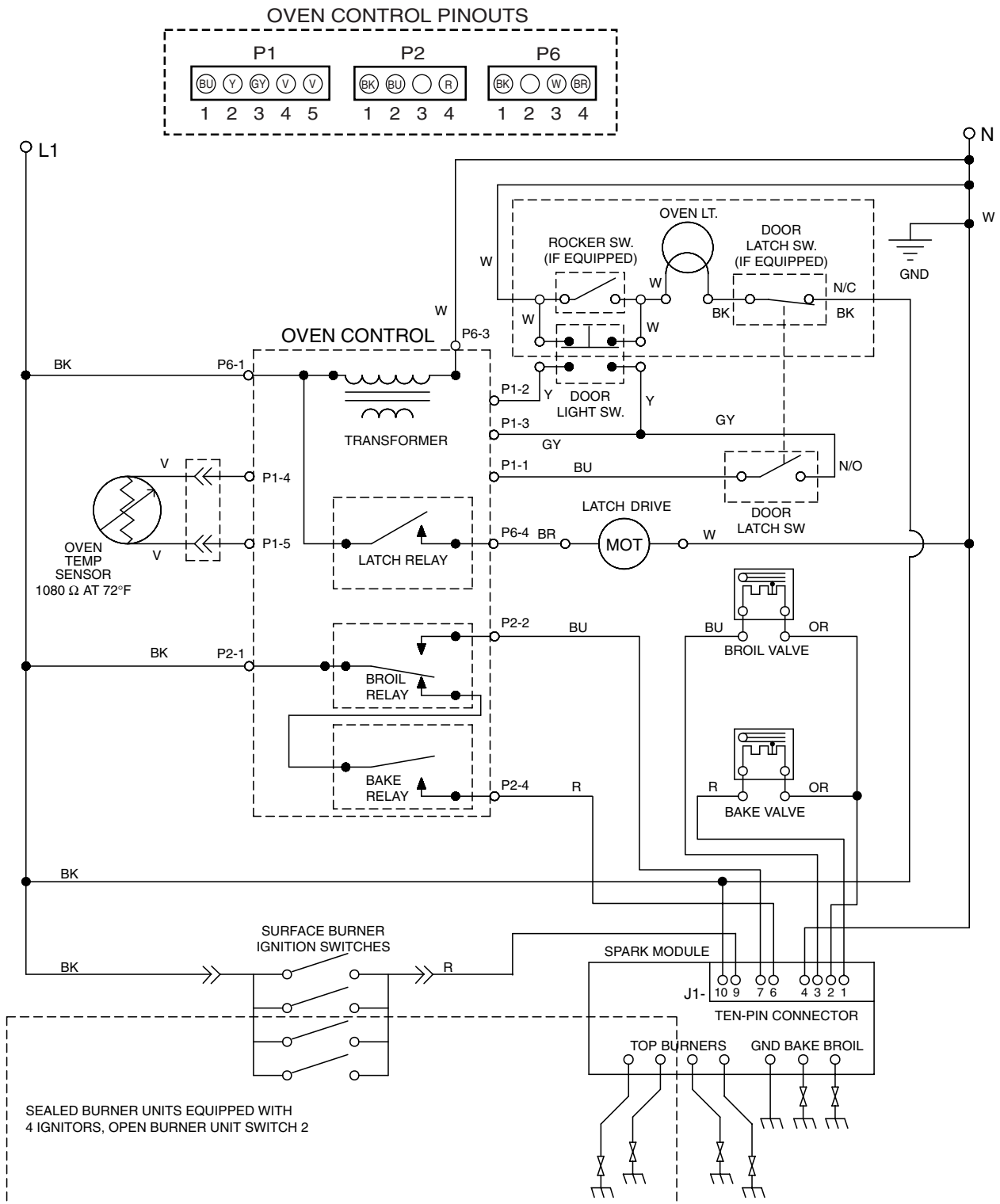
NOTE: Drawing shows door latch switch in the cook position with oven door open, oven off, and light on.

# Tech Sheet #8272342



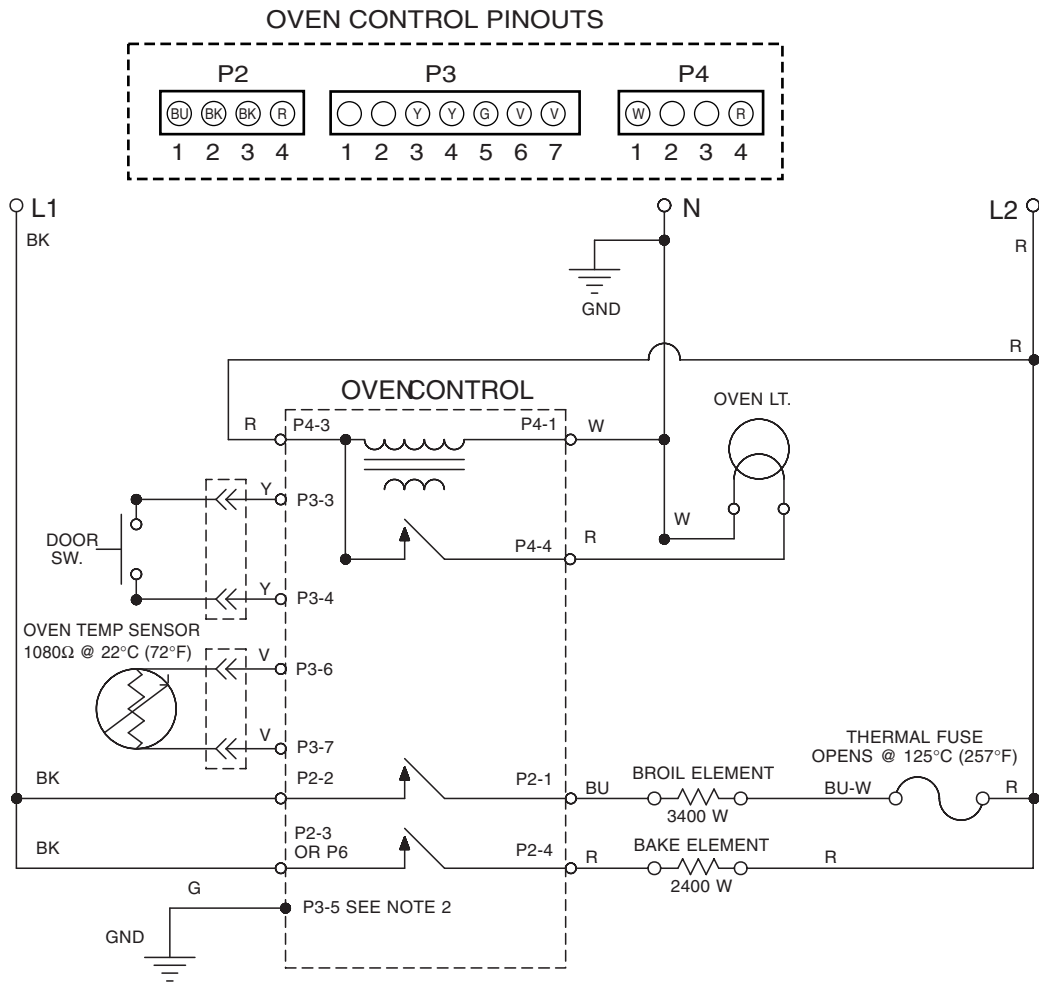
- NOTES: 1. Schematic shows door latch switch in the cook position with the oven door open, and elements off.
2. Eaton controls do not use the ground connection at P3-5.

# Tech Sheet #8273171 & #8273173



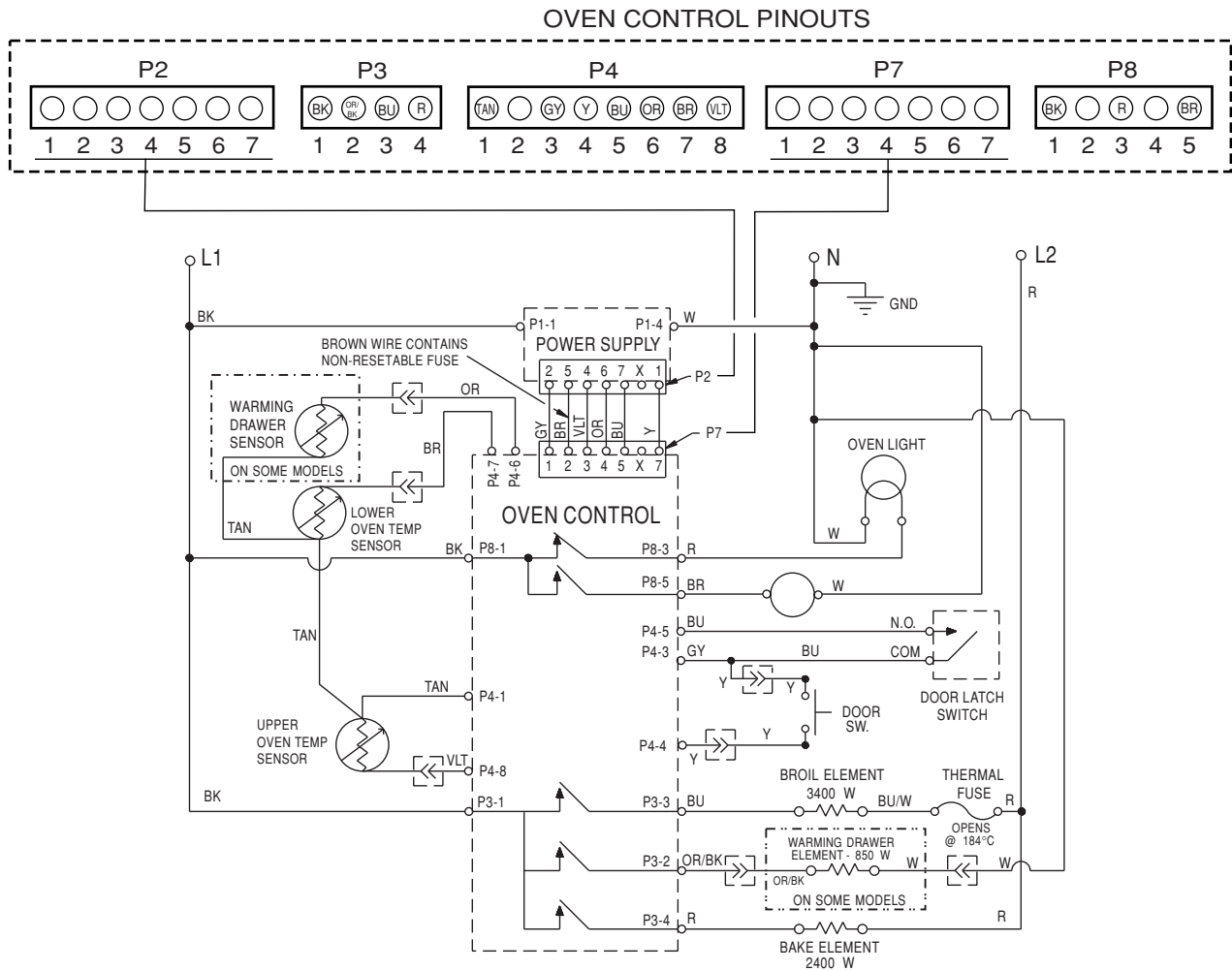
NOTE: Drawing shows door latch switch in the cook position with oven door open, oven off, and light on.

# Tech Sheet #8273311 & #8273318



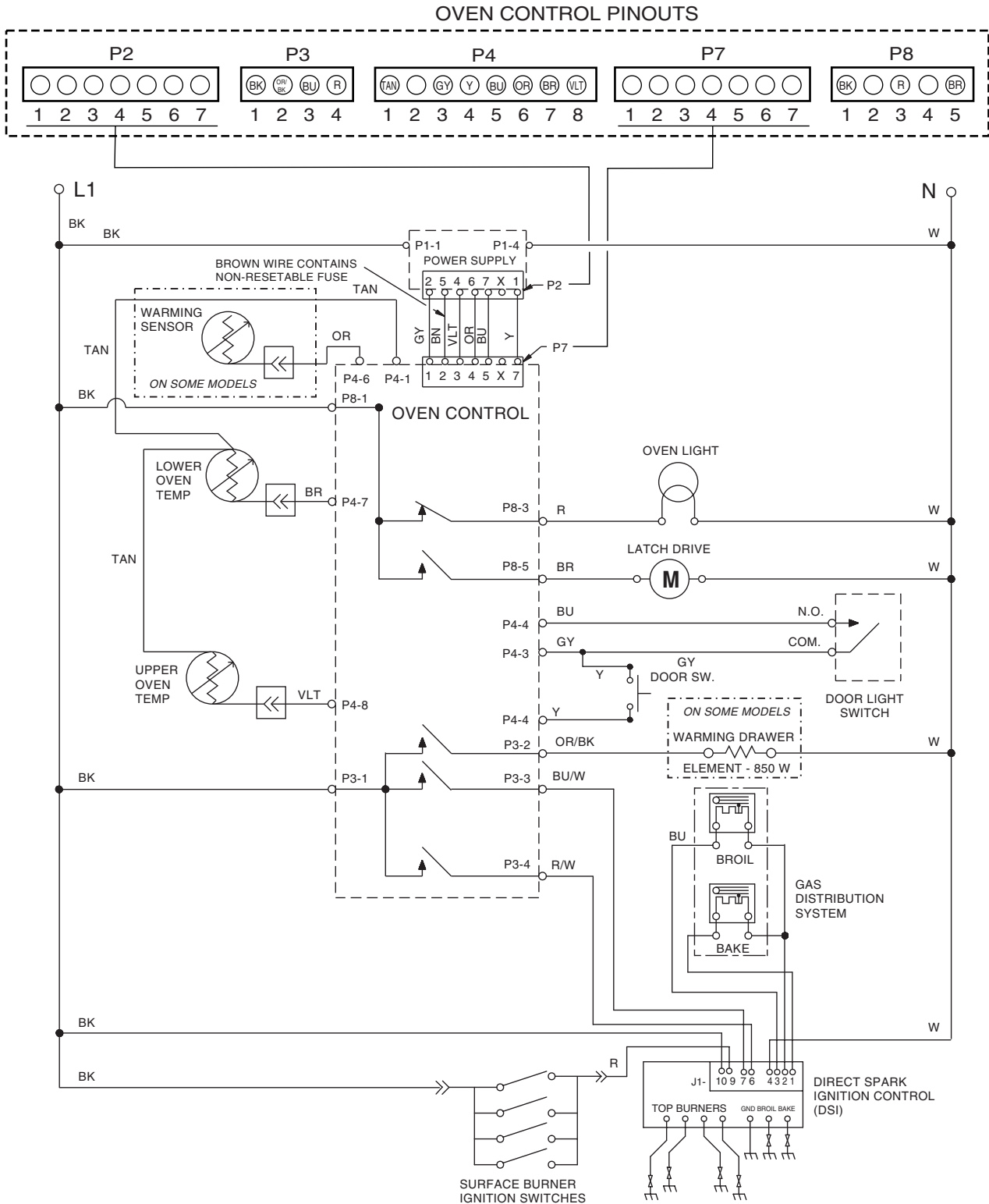
- NOTES: 1.) Drawing shows oven door open and elements off.  
 2.) Eaton Controls do not use the ground connection at P3-5.

# Tech Sheet #8522647



NOTE: Schematic shows door latch switch in the cook position with the oven door open, and elements off.

# Tech Sheet #8522648

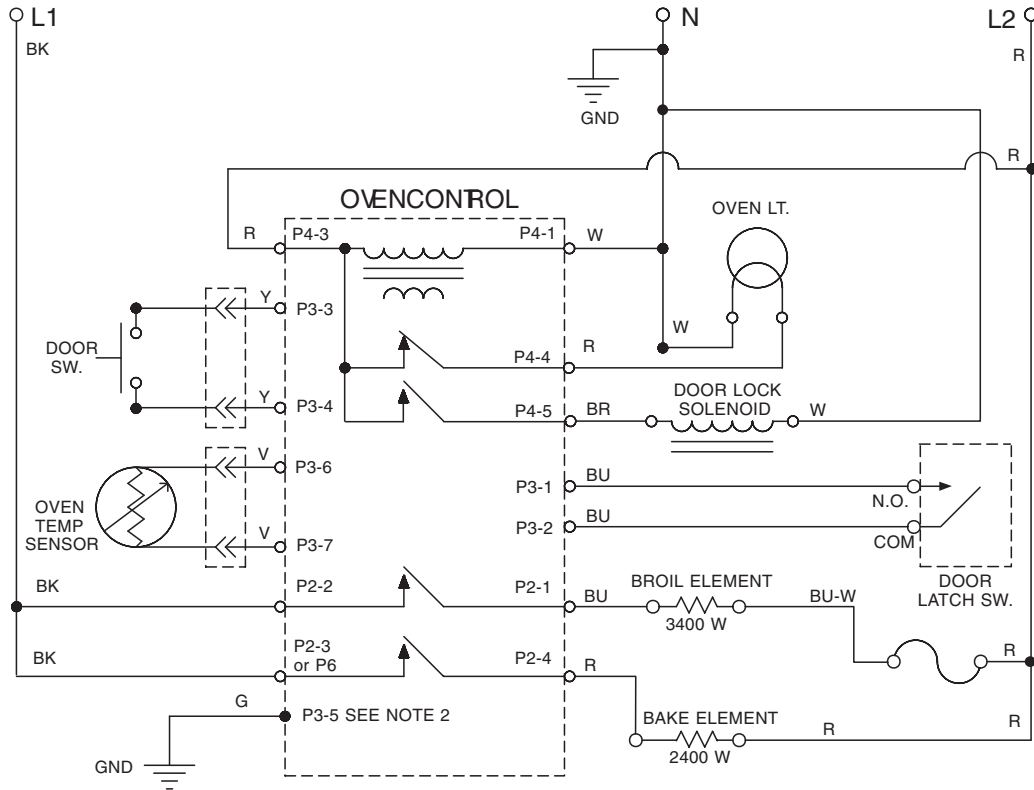
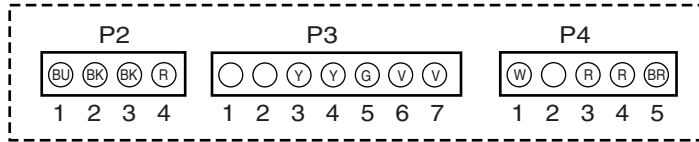


NOTES: Schematic shows door latch switch in the cook position with the oven door open, oven off and light on.



# Tech Sheet #8522787

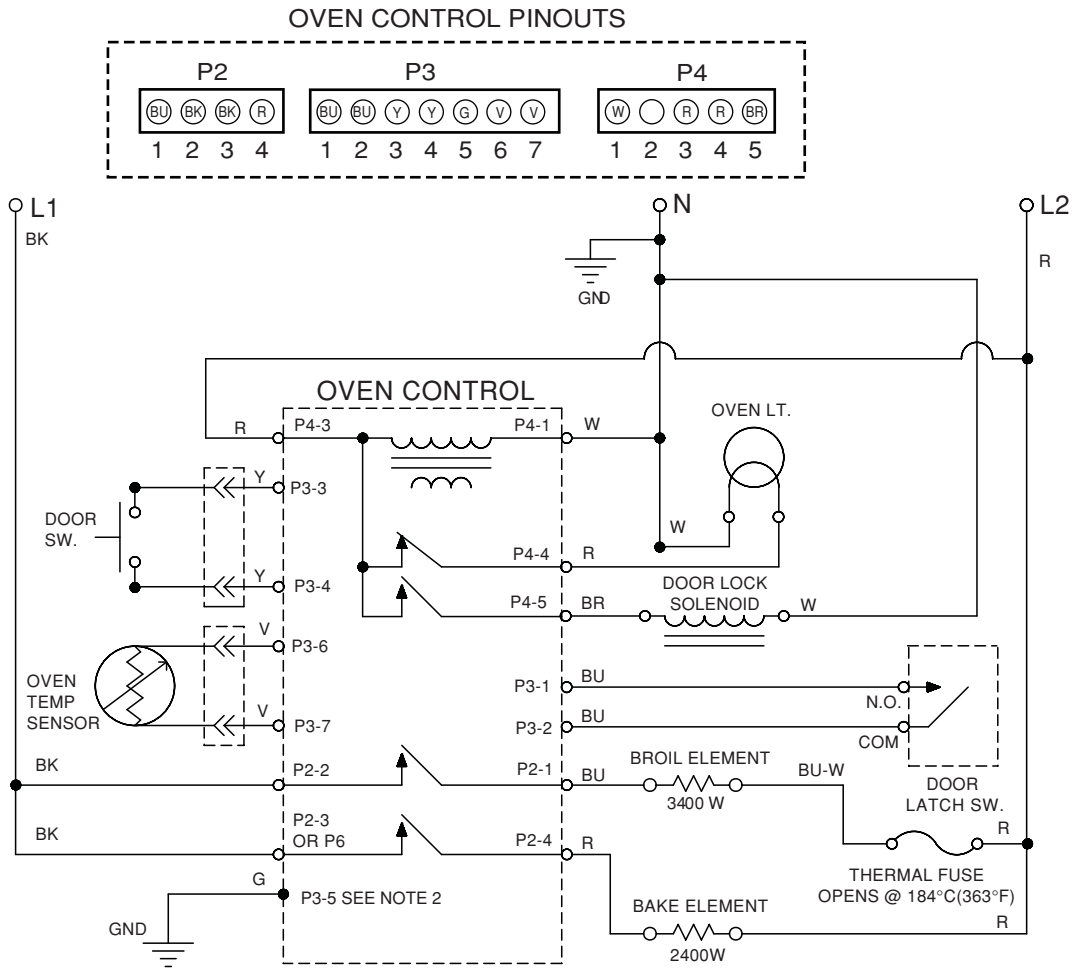
## OVEN CONTROL PINOUTS



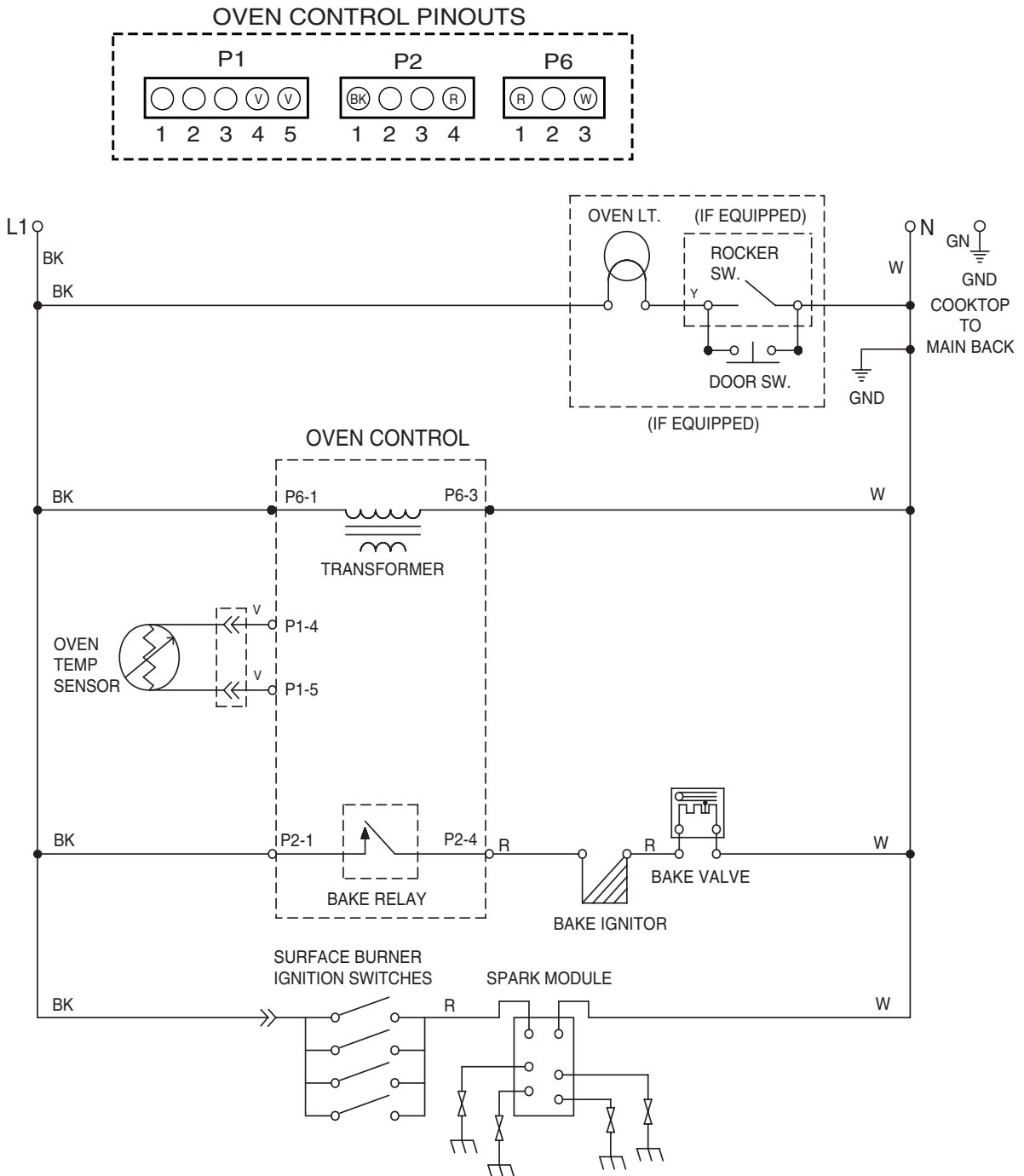
### NOTES:

1. Schematic shows door latch switch in the cook position with the oven door open, and elements off.
2. Eaton controls do not use the ground connection at P3-5.

# Tech Sheet #8522788



# Tech Sheet #98007031



NOTE: Drawing shows door latch switch in the cook position with oven door open, oven off, and light on.

— NOTES —

— NOTES —

— NOTES —

# **PRODUCT SPECIFICATIONS AND WARRANTY INFORMATION SOURCES**

## ***IN THE UNITED STATES:***

### **FOR PRODUCT SPECIFICATIONS AND WARRANTY INFORMATION CALL:**

FOR WHIRLPOOL PRODUCTS: 1-800-253-1301  
FOR KITCHENAID PRODUCTS: 1-800-422-1230  
FOR ROPER PRODUCTS: 1-800-447-6737

### **FOR TECHNICAL ASSISTANCE WHILE AT THE CUSTOMER'S HOME CALL:**

THE TECHNICAL ASSISTANCE LINE: 1-800-253-2870

**HAVE YOUR STORE NUMBER READY TO IDENTIFY YOU AS AN  
AUTHORIZED SERVICER**

### **FOR LITERATURE ORDERS:**

PHONE: 1-800-851-4605

### **FOR TECHNICAL INFORMATION AND SERVICE POINTERS:**

[www.servicematters.com](http://www.servicematters.com)

---

## ***IN CANADA:***

### **FOR PRODUCT SPECIFICATIONS AND WARRANTY INFORMATION CALL:**

1-800-461-5681

### **FOR TECHNICAL ASSISTANCE WHILE AT THE CUSTOMER'S HOME CALL:**

THE TECHNICAL ASSISTANCE LINE: 1-800-488-4791

**HAVE YOUR STORE NUMBER READY TO IDENTIFY YOU AS AN  
AUTHORIZED SERVICER**

