

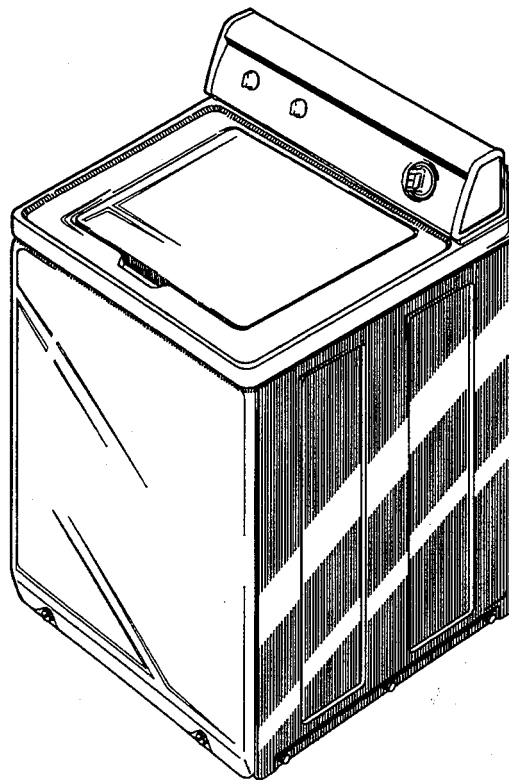
Models and manufacturing
numbers in this manual

LWS01AW	PLWS01AW
LWS04AW	PLWS04AW
LWS16AW	PLWS16AW
LWS17AW	PLWS17AW
LWS34AW	PLWS34AW
LWS55AW	PLWS55AW

Service

Manual for Automatic Washers

Service Manual for
Speed Queen®



W424SE1A

This manual is to be used by qualified appliance technicians only. Amana does not assume any responsibility for property damage or personal injury for improper service procedures done by an unqualified person.

Amana

RS310004
Revision 1
39009
February 1998

Table of Contents

SECTION 1 — Safety Information	1-1	SECTION 5 — Service Procedures	
SECTION 2 — Introduction		1. Control Hood Assembly	5-1
Nameplate Location	2-1	2. Timer	5-4
Model Identification	2-1	3. Temperature Switch	5-6
How Your Washer Works	2-2	4. Pressure Switch	5-6
SECTION 3 — Troubleshooting		5. Graphic Panel	5-6
1. No Hot Water	3-1	6. Loading Door	5-7
2. No Cold Water	3-1	7. Agitator	5-8
3. No Warm Water	3-2	8. Agitator, Drive Bell And Seal Assembly	5-8
4. Water Fill Does Not Stop At Proper Level	3-2	9. Front Panel	5-13
5. Timer Does Not Advance	3-2	10. Motor and Mounting Bracket	5-14
6. Motor Does Not Run	3-3	11. Idler Lever And Pulley	5-18
7. No Agitation	3-4	12. Motor Drive Pulley	5-19
8. Constant Agitation	3-4	13. Motor Switch	5-20
9. Washer Smokes, Overheats, Cycles On Motor Thermal Protector, Switch Actuator Kicks In And Out	3-5	14. Cabinet Top Assembly	5-21
10. Slow Spin Or No Spin	3-5	15. Door Switch	5-22
11. Constant Spin	3-6	16. Mixing Valve Assembly	5-23
12. Washer Stops In Cycle; Quits After A Couple Loads; Is Intermittent	3-6	17. Washtub And Balance Ring	5-24
13. Washer Is Locked Up Or Binding	3-6	18. Hub and Seal Kit Assembly	5-28
14. Outer Tub Does Not Empty	3-7	19. Outer Tub	5-33
15. Excessive Vibration	3-7	20. Drive Pulley, Helix and Brake	5-36
16. Water Leaking From Outer Tub	3-7	21. Weldment and Bearing Assembly	5-40
SECTION 4 — Grounding		22. Transmission Assembly	5-42
1. Wall Receptacle Polarity Check	4-1	23. Upper Bearing Assembly	5-48
2. Power Cord To Cabinet Top, Cabinet Top To Control Hood Mounting Bracket, Pressure Switch Mounting Bracket and Ground Tab On Graphics Panel	4-1	24. Friction Ring	5-49
3. Control Hood Wire Harness To Top Left Rear Corner Gusset Of Cabinet	4-2	SECTION 6 — Adjustments	
4. Wire Harness To Motor	4-2	1. Leveling Legs	6-1
		2. Pressure Switch	6-2
		3. Belt (Agitate And Spin)	6-2
		SECTION 7 — Test Procedures	7-1
		SECTION 8 — Cycle Sequence Charts	8-1
		SECTION 9 — Internal Wiring of Washer Motor Switch	9-1
		SECTION 10 — Wiring Diagrams	10-1

© Copyright 1997, Raytheon Appliances

All rights reserved. No part of the contents of this book may be reproduced or transmitted in any form or by any means without the written permission of the publisher.

SECTION 1

Safety Information

Throughout this machine and on machine decals, you will find precautionary statements (“CAUTION”, “WARNING”, and “DANGER”) followed by specific instructions. These precautions are intended for the personal safety of the operator, user, servicer, and those maintaining the machine.

▲ DANGER

Danger indicates the presence of a hazard that **will** cause **severe** personal injury, death, or substantial property damage if the danger is ignored.

▲ WARNING

Warning indicates the presence of a hazard that **can** cause **severe** personal injury, death, or substantial property damage if the warning is ignored.

▲ CAUTION

Caution indicates the presence of a hazard that **will** or **can** cause **minor** personal injury or property damage if the caution is ignored.

Additional precautionary statements (“IMPORTANT” and “NOTE”) are followed by specific instructions.

IMPORTANT

The word “IMPORTANT” is used to inform the reader of specific procedures where minor machine damage will occur if the procedure is not followed.

NOTE

The word “NOTE” is used to communicate installation, operation, maintenance or servicing information that is important but not hazard related.

In the interest of safety, some general precautions relating to the operation of this machine follow.



WARNING

- **Failure to install, maintain, and/or operate this product according to the manufacturer's instructions may result in conditions which can produce serious injury, death and/or property damage.**
- **Do not repair or replace any part of the product or attempt any servicing unless specifically recommended or published in this Service Manual and that you understand and have the skills to carry out.**

Whenever ground wires are removed during servicing, these ground wires must be reconnected to ensure that the product is properly grounded and to reduce the risk of fire, electric shock, serious injury, or death.

W006

(continued)



WARNING

To reduce the risk of electric shock, fire, explosion, serious injury or death:

- Disconnect electric power to the washer before servicing.
- Never start the washer with any guards/panels removed.
- Whenever ground wires are removed during servicing, these ground wires must be reconnected to ensure that the washer is properly grounded.

W001



WARNING

Repairs that are made to your products by unqualified persons can result in hazards due to improper assembly to adjustments subjecting you, or the inexperienced person making such repairs, to the risk of serious injury, electrical shock, or death.

W007



CAUTION

If you or an unqualified person perform service on your product, you must assume the responsibility for any personal injury or property damage which may result. The manufacturer will not be responsible for any injury or property damage arising from improper service and/or service procedures.

W008

NOTE: The WARNINGS and IMPORTANT INSTRUCTIONS appearing in this manual are not meant to cover all possible conditions and situations that may occur. Common sense, caution and care must be exercised when installing, maintaining or operating the washer.

Always contact your dealer, distributor, service agent or the manufacturer about any problems or conditions you do not understand.

Locating an Authorized Servicer:

Raytheon Appliances is not responsible for personal injury or property damage resulting from improper service. Review all service information before beginning repairs.

Warranty service must be performed by an authorized technician, using authorized factory parts. If service is required after the warranty expires, Raytheon Appliances also recommends contacting an authorized technician and using authorized factory parts. Locate an authorized technician by calling 800-NATLSVC (800-628-5782).

For Assistance Within the U.S.A. Contact:

Consumer Affairs Department
Amana, Raytheon Appliances
2800 220th Trail
P O Box 8901
Amana, IA 52204-0001
(319) 622-5511 — Telephone
(319) 622-2977 — Facsimile

For Assistance Outside the U.S.A. Contact:

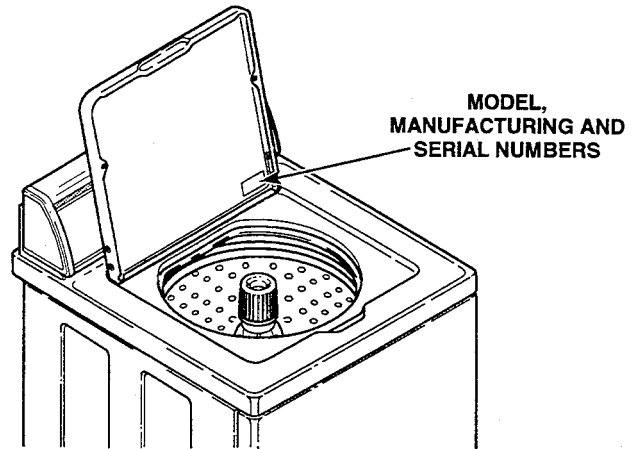
International Division
Amana, Raytheon Appliances
2800 220th Trail
P O Box 8901
Amana, IA 52204-0001
(319) 622-5511 — Telephone
(319) 622-8595 — Facsimile

SECTION 2

Introduction

Nameplate Location

When calling or writing about your washer, **PLEASE GIVE MODEL, MANUFACTURING AND SERIAL NUMBER.** Model, manufacturing and serial number are located on nameplate. Nameplate will be in the location shown.



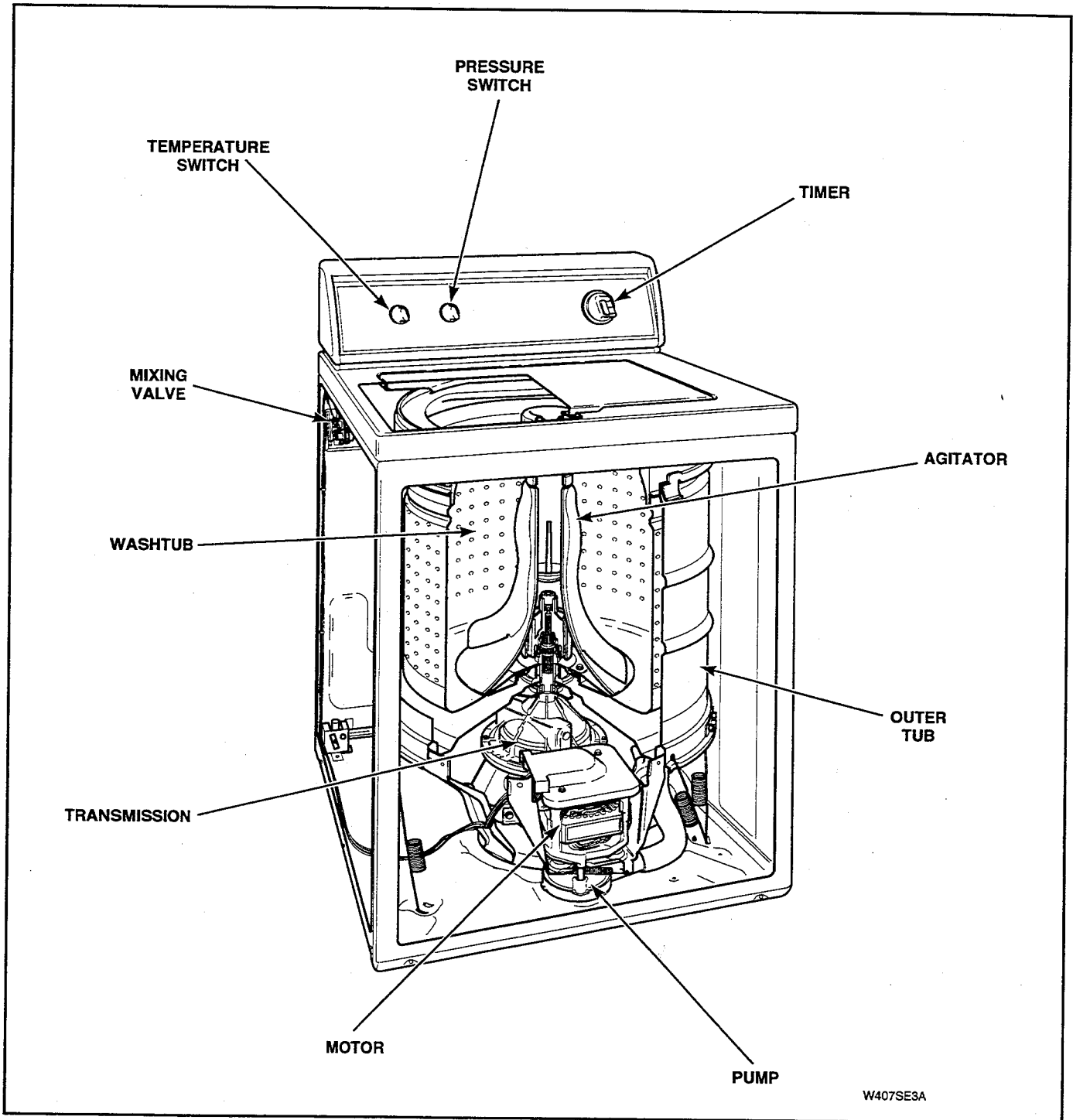
W429SE2A

Model Identification

Information in this manual is applicable to these washer models.

Model Number	Manufacturing Number	One-Speed Motor	Two-Speed Motor	Porcelain Washtub (Cu. Ft.)	Stainless Steel Washtub (Cu. Ft.)
LWS01AW	PLWS01AW	X		2.9	
LWS04AW	PLWS04AW	X		2.9	
LWS16AW	PLWS16AW	X		3.3	
LWS17AW	PLWS17AW	X			3.3
LWS34AW	PLWS34AW		X		2.9
LWS55AW	PLWS55AW		X		3.3

How Your Washer Works



The cycle begins with a wash fill. The water temperature is determined by the temperature selector. While water fills the washtub, a column of air is trapped in a pressure bulb and hose. The air pressure continues to increase as the washtub fills with water until it is great enough to activate the pressure switch. The pressure switch then causes the wash fill to stop and wash agitation to begin. However, the loading door must be closed for the washer to agitate or spin.

The washer uses a reversing type motor, a special drive belt and an idler assembly. The idler assembly applies tension to the outside of the drive belt.

During agitation, the motor runs in the counterclockwise direction. The spring tension on the idler pulley applies the tension required to reduce the slack on the drive belt and maintain maximum belt to motor pulley contact. This eliminates belt slippage and ensures an efficient wash action, even with extra large loads.

The belt drives the transmission drive pulley in the counterclockwise direction. The pulley drives the helix which is splined to the input shaft of the transmission. This causes the input shaft to turn inside of a roller clutch which is pressed into the transmission cover. This roller clutch acts as a bearing in the counterclockwise direction allowing the transmission gears to operate. The transmission's rack and pinion gear design produces a 210 degree agitation stroke at the output shaft of the transmission which drives the agitator. The brake assembly remains locked during the agitation mode since no pressure is applied to it by the transmission drive pulley.

After the wash agitation is completed, the timer advances into the first spin. During spin, the motor reverses turning in the clockwise direction to spin the water out of the washtub. The combination of water, washtub and load weight cause the drive belt tension on the idler side of the belt to overtake the idler spring pressure allowing the belt to become slack on the opposite side. This reduces the belt to pulley contact and allows slipping between the belt and pulley.


As water is removed by the direct drive pump and the momentum of the washtub increases, the idler spring tension gradually overcomes the belt tension removing the belt slack. This eventually increases the belt to pulley contact until maximum spin speed is achieved.

The drive pulley turns clockwise riding up the ramps of the helix, exerting pressure on the brake pads and forcing it to release from brake pads. The helix drives the input shaft of the transmission, and when the input shaft turns in the clockwise direction the roller clutch locks onto the shaft causing the entire transmission assembly to turn. None of the gears in the transmission are operating at this time. The hub of the washtub is splined to the transmission tube and rotates with the transmission assembly. The centrifugal force created by the spinning washtub causes water to be extracted from the clothes.

Water is introduced during the first spin to "SPRAY" the garments and remove suds from them. The initial spin is followed by rinse agitation to rinse away any detergent residue. The washer fills and then agitates like the wash portion of the cycle. Following rinse agitation, a final spin extracts the rinse water from the clothes preparing them for the dryer.

SECTION 3

Troubleshooting

	WARNING
<p>To reduce the risk of electric shock, fire, explosion, serious injury or death:</p> <ul style="list-style-type: none"> • Disconnect electric power to the washer before servicing. • Never start the washer with any guards/panels removed. • Whenever ground wires are removed during servicing, these ground wires must be reconnected to ensure that the washer is properly grounded. 	
<small>W003</small>	

IMPORTANT: Refer to appropriate Wiring Diagram for aid in testing washer components.

1. NO HOT WATER

POSSIBLE CAUSE	TO CORRECT
Hot water supply faucet is closed.	Open faucet.
Water supply is cold.	Check water heater.
Kinked hot water inlet hose.	Straighten or replace hose.
Clogged mixing valve screen, or screen in outer end of inlet hose nearest water supply faucet.	Disconnect hot water inlet hose, and clean or replace screen.
Inoperative hot water mixing valve solenoid.	Test solenoid and replace if inoperative.
Inoperative timer.	Test timer and replace if inoperative.
Inoperative temperature switch.	Test switch and replace if inoperative.
Inoperative pressure switch.	Test switch and replace if inoperative.
Clogged pressure hose.	Remove and clean or replace hose.
Broken, loose, or incorrect wiring.	Refer to appropriate wiring diagram.

2. NO COLD WATER

POSSIBLE CAUSE	TO CORRECT
Cold water supply faucet is closed.	Open faucet.
Kinked cold water inlet hose.	Straighten or replace hose.
Clogged mixing valve screen, or clogged screens in outer end of inlet hose nearest water supply faucet.	Disconnect cold water inlet hose, and clean or replace screen.
Inoperative cold water mixing valve solenoid.	Test solenoid and replace if inoperative.
Inoperative timer.	Test timer and replace if inoperative.
Inoperative temperature switch.	Test switch and replace if inoperative.
Inoperative pressure switch.	Test switch and replace if inoperative.
Clogged pressure hose.	Remove and clean or replace hose.
Broken, loose, or incorrect wiring.	Refer to appropriate wiring diagram.



WARNING

To reduce the risk of electric shock, fire, explosion, serious injury or death:

- Disconnect electric power to the washer before servicing.
- Never start the washer with any guards/panels removed.
- Whenever ground wires are removed during servicing, these ground wires must be reconnected to ensure that the washer is properly grounded.

W003

3. NO WARM WATER

POSSIBLE CAUSE	TO CORRECT
No hot water.	Refer to paragraph 1.
No cold water.	Refer to paragraph 2.

4. WATER FILL DOES NOT STOP AT PROPER LEVEL

POSSIBLE CAUSE	TO CORRECT
Inoperative pressure switch.	Test switch and replace if inoperative.
Air leak in pressure hose.	Replace hose.
Sediment on or under mixing valve diaphragm, defective diaphragm, or armature binding in armature guide.	Replace valve.
Broken, weak, or missing mixing valve armature spring.	Replace valve.
A siphoning action started in washer will cause water to be siphoned from washer during cycle due to end of drain hose being lower than cabinet top of washer. Drain hose fits tight in standpipe or drain.	Install No. 562P3 Siphon Break Kit. Provide an air gap around drain hose and drain receptacle. Install No. 36878 Standpipe Adapter.
Water in pressure hose.	Blow air through hose to remove water or replace hose.
Broken, loose, shorted, or incorrect wiring.	Refer to appropriate wiring diagram.

5. TIMER DOES NOT ADVANCE

POSSIBLE CAUSE	TO CORRECT
Timer is designed to pause during fill periods. Some cycles have pauses (delicate cycles).	Allow completion of fill period.
Inoperative timer.	Test timer, and replace if inoperative.
Loading door is open.	Close loading door. Loading door MUST be closed any time the washer is set to agitate or spin.
Washer will not fill.	Timer pauses until pressure switch is satisfied. Refer to paragraphs 1 and 2.
Timer motor lead wire is off timer terminal.	Refer to appropriate wiring diagram and reattach wire.
Broken, loose or incorrect wiring.	Refer to appropriate wiring diagram.
Make sure washer isn't siphoning during rinse fill.	Install siphon break kit, Part No. 562P3.



WARNING

To reduce the risk of electric shock, fire, explosion, serious injury or death:

- Disconnect electric power to the washer before servicing.
- Never start the washer with any guards/panels removed.
- Whenever ground wires are removed during servicing, these ground wires must be reconnected to ensure that the washer is properly grounded.

W003

6. MOTOR DOES NOT RUN

POSSIBLE CAUSE	TO CORRECT
Electrical power off, fuse blown, or power cord not plugged in.	Check laundry room for blown or loose fuse(s) or open circuit breakers. (Washer itself does not have an electrical fuse).
Loading door not closed or inoperative switch.	Close door or test switch and replace if inoperative.
Timer improperly set.	Reset timer, or try another cycle.
Inoperative timer.	Test timer and replace if inoperative.
Motor starting functions inoperative. No start; or motor only hums.	Refer to SECTION 7 to check start switch and start windings.
Motor is dead, or will not run.	Refer to SECTION 7 to check switch and windings.
Motor overload protector has cycled.	Wait two or three minutes for overload protector to reset. If protector cycles repeatedly. Refer to paragraph 9.
Bind in upper or lower motor bearing.	Remove belts and determine if motor shaft will spin. Replace motor if shaft is locked up.
Broken, loose, or incorrect wiring.	Refer to appropriate wiring diagram.
Power cord is wired incorrectly.	Refer to appropriate wiring diagram for correct wiring.



WARNING

To reduce the risk of electric shock, fire, explosion, serious injury or death:

- Disconnect electric power to the washer before servicing.
- Never start the washer with any guards/panels removed.
- Whenever ground wires are removed during servicing, these ground wires must be reconnected to ensure that the washer is properly grounded.

W003

7. NO AGITATION

POSSIBLE CAUSE	TO CORRECT
Timer is designed to pause (SOAK) during DELICATE cycle. Allow completion of SOAK period.	Test timer and replace if inoperative.
Motor will not run.	Refer to SECTION 7 to check switch and windings.
No Delicate cycle agitate.	Refer to SECTION 7 to check low speed switch and windings.
Inoperative pressure switch.	Test switch and replace if inoperative.
Broken, loose, or incorrect wiring.	Refer to appropriate wiring diagram.
Loose or broken drive belt.	Adjust or replace belt.
Inoperative transmission assembly.	Repair or replace transmission assembly.
Sheared motor pulley roll pin.	Remove drive motor and replace roll pin and any other damaged parts.
Motor overload protector has cycled.	Wait two or three minutes for overload protector to reset. If protector cycles repeatedly. Refer to paragraph 9.
Bind in pump.	Replace pump.
Loading door is open or door switch is inoperative.	Close door or test switch and replace if inoperative.

8. CONSTANT AGITATION

POSSIBLE CAUSE	TO CORRECT
Inoperative timer.	Test timer and replace if inoperative.
Shorted or incorrect wiring.	Refer to appropriate wiring diagram.



WARNING

To reduce the risk of electric shock, fire, explosion, serious injury or death:

- Disconnect electric power to the washer before servicing.
- Never start the washer with any guards/panels removed.
- Whenever ground wires are removed during servicing, these ground wires must be reconnected to ensure that the washer is properly grounded.

W003

9. UNIT SMOKES, OVERHEATS, CYCLES ON MOTOR THERMAL PROTECTOR, SWITCH ACTUATOR KICKS IN AND OUT

POSSIBLE CAUSE	TO CORRECT
Belt is tacky and does not allow proper slip.	Check belt and replace if defective.
Belt tension is too great and does not allow proper slip.	Make sure idler spring is properly connected.
Inoperative timer.	Test timer and replace if inoperative.
Motor switch functions inoperative.	Refer to SECTION 7 to check switch functions.
Bind in water pump.	Replace pump.
Brake pads binding.	Free binding pads, or replace pads.
Brake, transmission, or motor have locked up and will not turn.	Check that all these components are able to move freely. Correct binding component.
Incorrect voltage.	Contact local utility company, or have a qualified electrician check power supply.

10. SLOW SPIN OR NO SPIN

POSSIBLE CAUSE	TO CORRECT
Inoperative timer.	Test timer and replace if inoperative.
Loading door is open or door safety switch is inoperative.	Close loading door, or test switch and replace if inoperative.
Bind in water pump.	Replace pump.
Loose or broken drive belt.	Replace belt.
Motor will not run.	Refer to SECTION 7 to check switch and windings.
Sheared motor pulley roll pin.	Remove drive motor and appropriately replace roll pin and any other damaged parts.
Motor overload protector has cycled.	Wait two or three minutes for overload protector to reset. If protector cycles repeatedly, refer to paragraph 9.
No clearance or stuck brake pads.	Free sticky brake pads or replace pads.
Broken, loose, or incorrect wiring.	Refer to appropriate wiring diagram.
Inoperative transmission assembly.	Repair or replace the transmission assembly.
Oil on belt.	Replace belt.



WARNING

To reduce the risk of electric shock, fire, explosion, serious injury or death:

- Disconnect electric power to the washer before servicing.
- Never start the washer with any guards/panels removed.
- Whenever ground wires are removed during servicing, these ground wires must be reconnected to ensure that the washer is properly grounded.

W003

11. CONSTANT SPIN

POSSIBLE CAUSE	TO CORRECT
Inoperative timer.	Test timer and replace if inoperative.
Wash tub does not stop spinning within seven seconds after loading door is opened.	Replace brake pads.
Excessive wear on brake pads, or missing brake pads.	Replace brake pads.
Shorted or incorrect wiring.	Refer to appropriate wiring diagram.

12. UNIT STOPS IN CYCLE; QUILTS AFTER A COUPLE LOADS; IS INTERMITTENT

POSSIBLE CAUSE	TO CORRECT
Belt is tacky and does not allow proper slip.	Check belt and replace if defective.
Belt tension is too great and does not allow proper slip.	Make sure helper spring (if present) and idler spring are properly connected.
Inoperative timer.	Test timer and replace if inoperative.
Broken, loose, or incorrect wiring.	Refer to appropriate wiring diagram.
Motor overload protector has cycled.	Wait two or three minutes for overload protector to reset. If protector cycles repeatedly. Refer to paragraph 9.
Motor switch functions inoperative.	Refer to SECTION 7 to check switch functions.
Brake, transmission, or motor have locked up and will not turn.	Check that all these components are able to move freely.

13. WASHER IS LOCKED UP OR BINDING

POSSIBLE CAUSE	TO CORRECT
Excessive belt tension.	Replace belt and/or idler spring.
Bind in upper or lower bearing.	Replace bearing.
Bind in water pump.	Replace pump.
Bind in transmission.	Repair or replace transmission.
Brake pads binding.	Free binding pads, or replace pads.
Incorrect voltage.	Contact local utility company, or have a qualified electrician check power supply.



WARNING

To reduce the risk of electric shock, fire, explosion, serious injury or death:

- Disconnect electric power to the washer before servicing.
- Never start the washer with any guards/panels removed.
- Whenever ground wires are removed during servicing, these ground wires must be reconnected to ensure that the washer is properly grounded.

W003

14. OUTER TUB DOES NOT EMPTY

POSSIBLE CAUSE	TO CORRECT
Kinked drain hose.	Straighten hose.
Drain hose out of clamp in back of cabinet.	Remove washer front panel and install drain hose into clamp.
Inoperative water pump.	Replace pump.
Obstruction in outer tub outlet hose.	Remove obstruction.

15. EXCESSIVE VIBRATION

POSSIBLE CAUSE	TO CORRECT
Washer is not properly leveled.	Adjust leveling legs.
Unbalanced load in tub.	Stop washer, redistribute load, then restart washer.
Broken, or disconnected centering spring(s).	Connect or replace centering spring(s).
Washer is installed on weak, "spongy", carpeted or built-up floor.	Relocate washer, or support floor to eliminate weak or "spongy" condition.
Incorrect or loose cabinet screws.	Replace with correct screws or tighten.
Base damaged (washer was dropped).	Replace base assembly.
Lubricant on pivot dome and/or base friction ring.	Remove lubricant or replace parts.
Partial liquid filled balance ring leaking.	Replace balance ring.

16. WATER LEAKING FROM OUTER TUB

POSSIBLE CAUSE	TO CORRECT
Leaking water seal in outer tub.	Replace hub and seal kit assembly. Refer to paragraph 18.
Hole in outer tub.	Replace outer tub.
Pressure hose or accumulator leaking.	Replace pressure hose and/or accumulator.
Outer tub cover gasket leaking.	Replace gasket.
Obstruction in drain causing water to come over top of outer drain tub cover.	Remove obstruction.
Tub-to-pump hose leaking at clamp.	Tighten clamp.

SECTION 4

Grounding



WARNING

To reduce the risk of electric shock, fire, explosion, serious injury or death:

- Disconnect electric power to the washer before servicing.
- Never start the washer with any guards/panels removed.
- Whenever ground wires are removed during servicing, these ground wires must be reconnected to ensure that the washer is properly grounded.

W003

1. WALL RECEPTACLE POLARITY CHECK. See Figure 4-1.

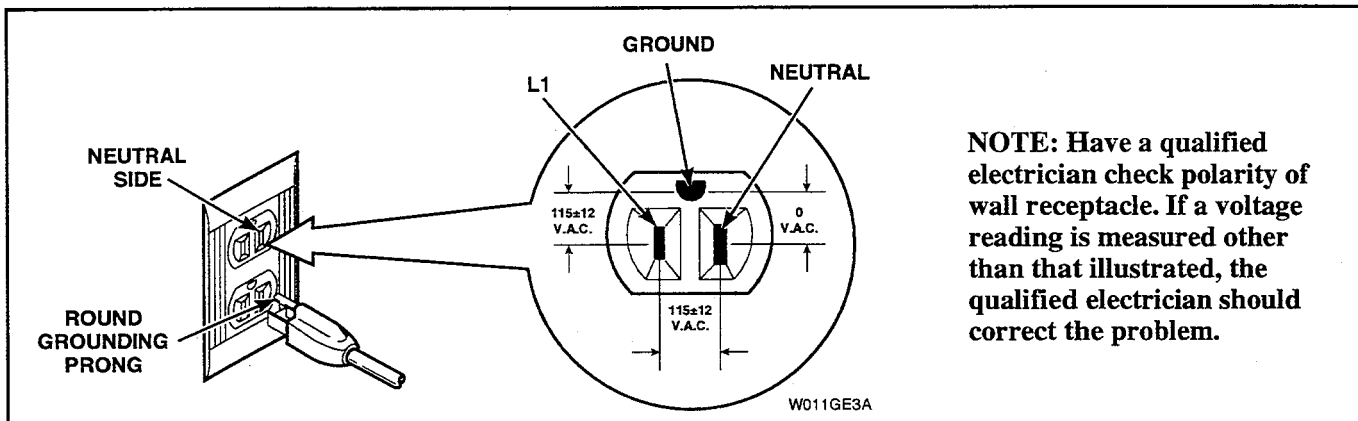


Figure 4-1

2. POWER CORD TO CABINET TOP, CABINET TOP TO CONTROL HOOD MOUNTING BRACKET, PRESSURE SWITCH MOUNTING BRACKET AND GROUND TAB ON GRAPHICS PANEL. See Figure 4-2.

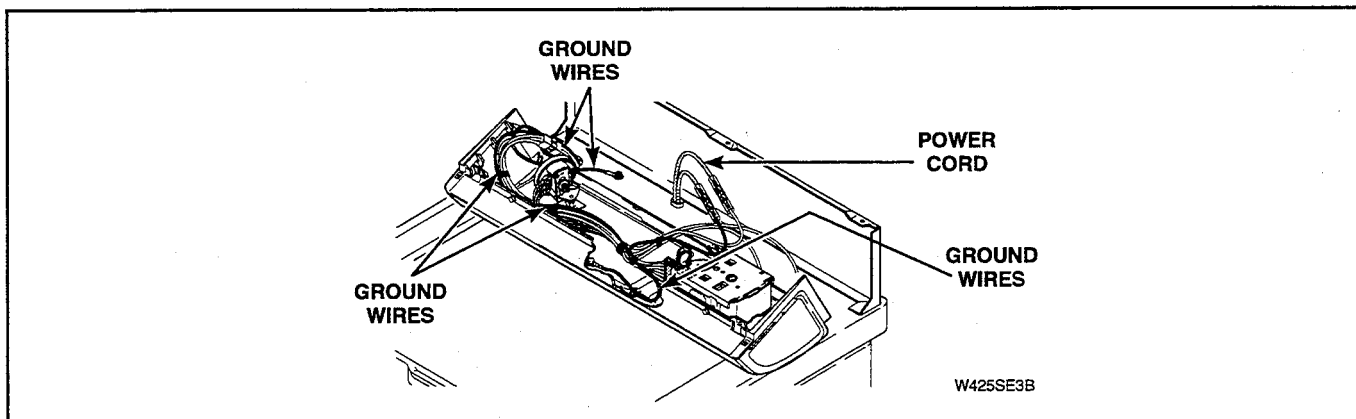


Figure 4-2



WARNING

To reduce the risk of electric shock, fire, explosion, serious injury or death:

- Disconnect electric power to the washer before servicing.
- Never start the washer with any guards/panels removed.
- Whenever ground wires are removed during servicing, these ground wires must be reconnected to ensure that the washer is properly grounded.

W003

3. CONTROL HOOD WIRE HARNESS TO TOP LEFT REAR CORNER GUSSET OF CABINET.

See Figure 4-3.

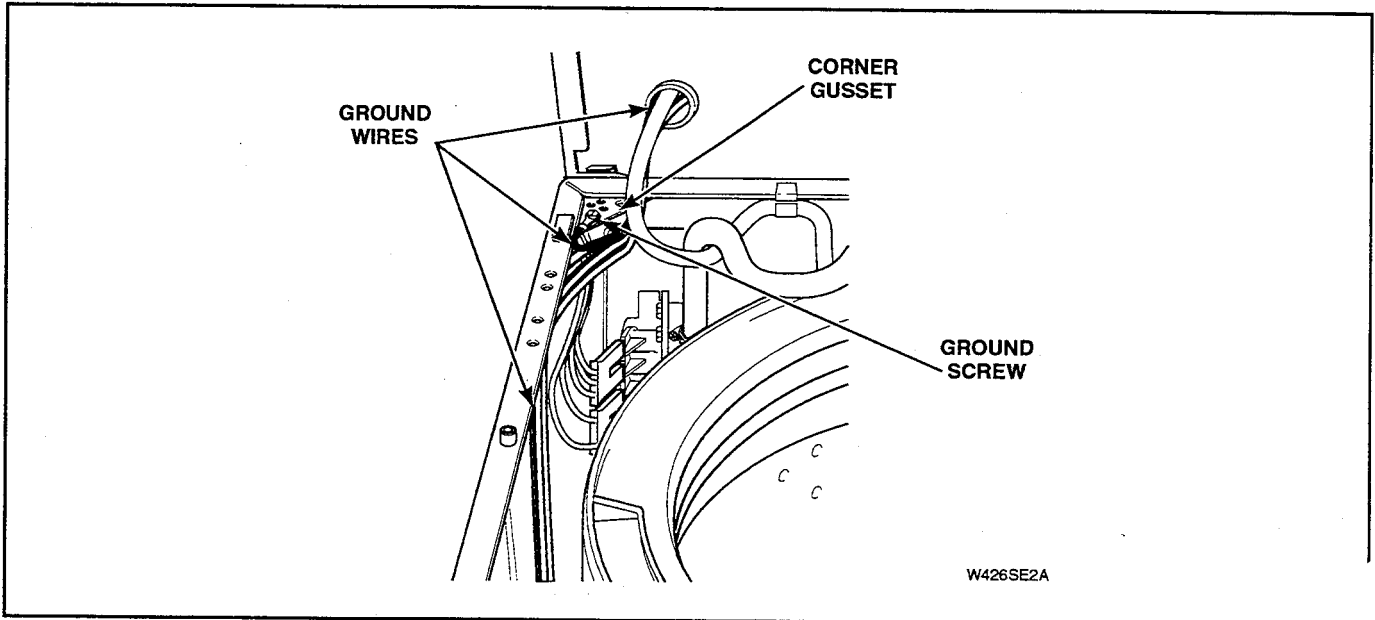


Figure 4-3

4. WIRE HARNESS TO MOTOR. See Figure 4-4.

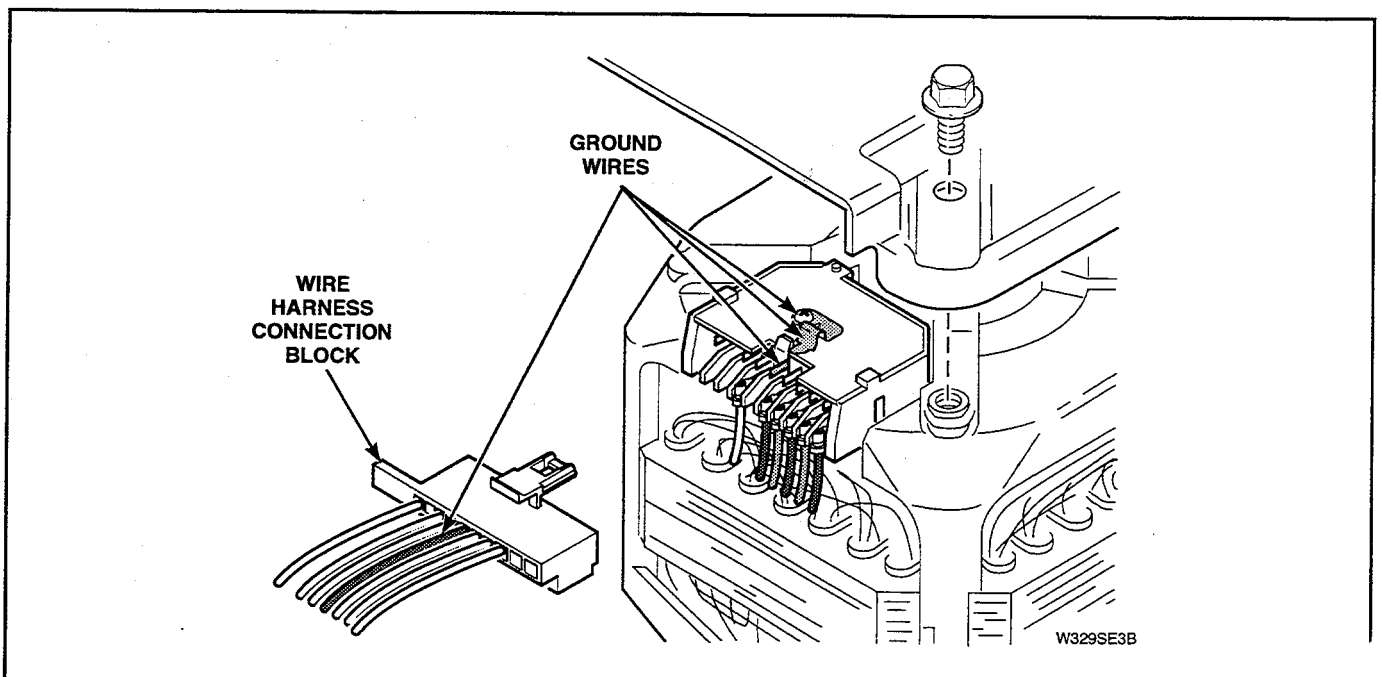


Figure 4-4

SECTION 5

Service Procedures



WARNING

To reduce the risk of electric shock, fire, explosion, serious injury or death:

- Disconnect electric power to the washer before servicing.
- Never start the washer with any guards/panels removed.
- Whenever ground wires are removed during servicing, these ground wires must be reconnected to ensure that the washer is properly grounded.

W003

IMPORTANT: When reference is made to directions (right or left) in this manual, it is from operator's position facing front of washer.

1. CONTROL HOOD ASSEMBLY

- Remove three screws holding rear of hood assembly to control hood rear panel. See Figure 5-1.
- Pivot hood assembly forward on cabinet top.
- Carefully remove bottom front of hood from clips on cabinet top.

- Disconnect wires from component parts and carefully remove components from hood assembly.

NOTE: Refer to appropriate wiring diagram when rewiring component parts.

TO REMOVE CONTROL HOOD END PANELS

Remove four screws holding end panels to control mounting plate. See Figure 5-2 or 5-3.

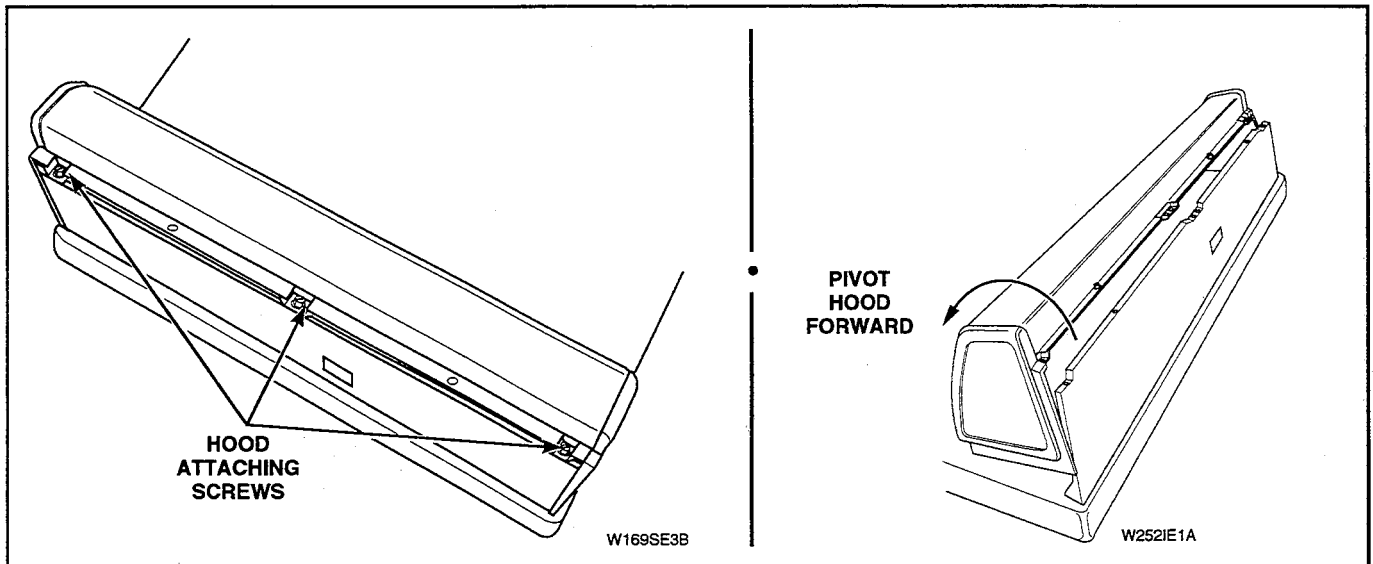
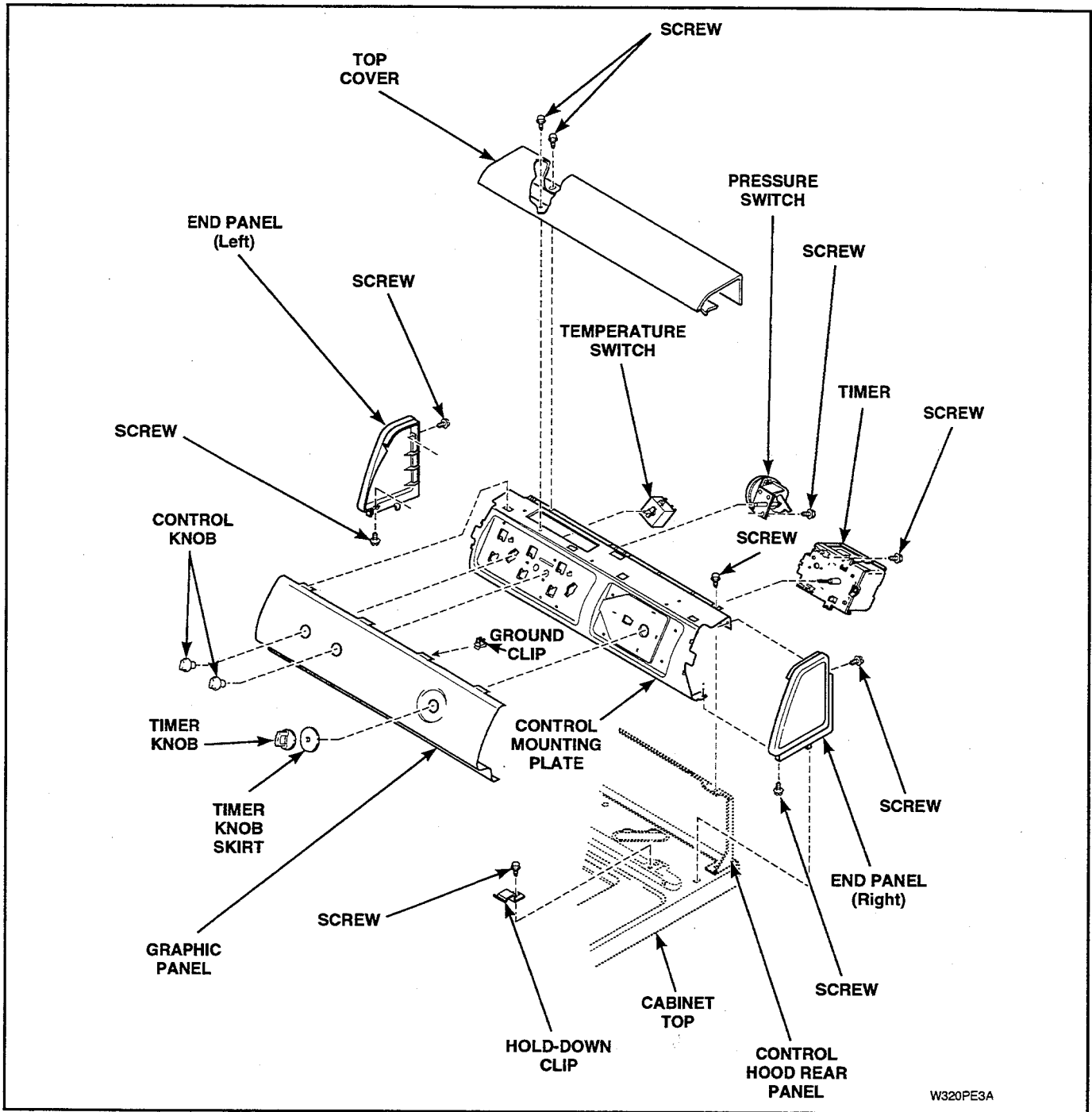


Figure 5-1



W320PE3A

Figure 5-2

GRAPHIC PANEL, CONTROL MOUNTING PLATE AND CONTROLS
 (Models LWS01A*, LWS04A*, LWS16A*, LWS17A* and LWS34A*)

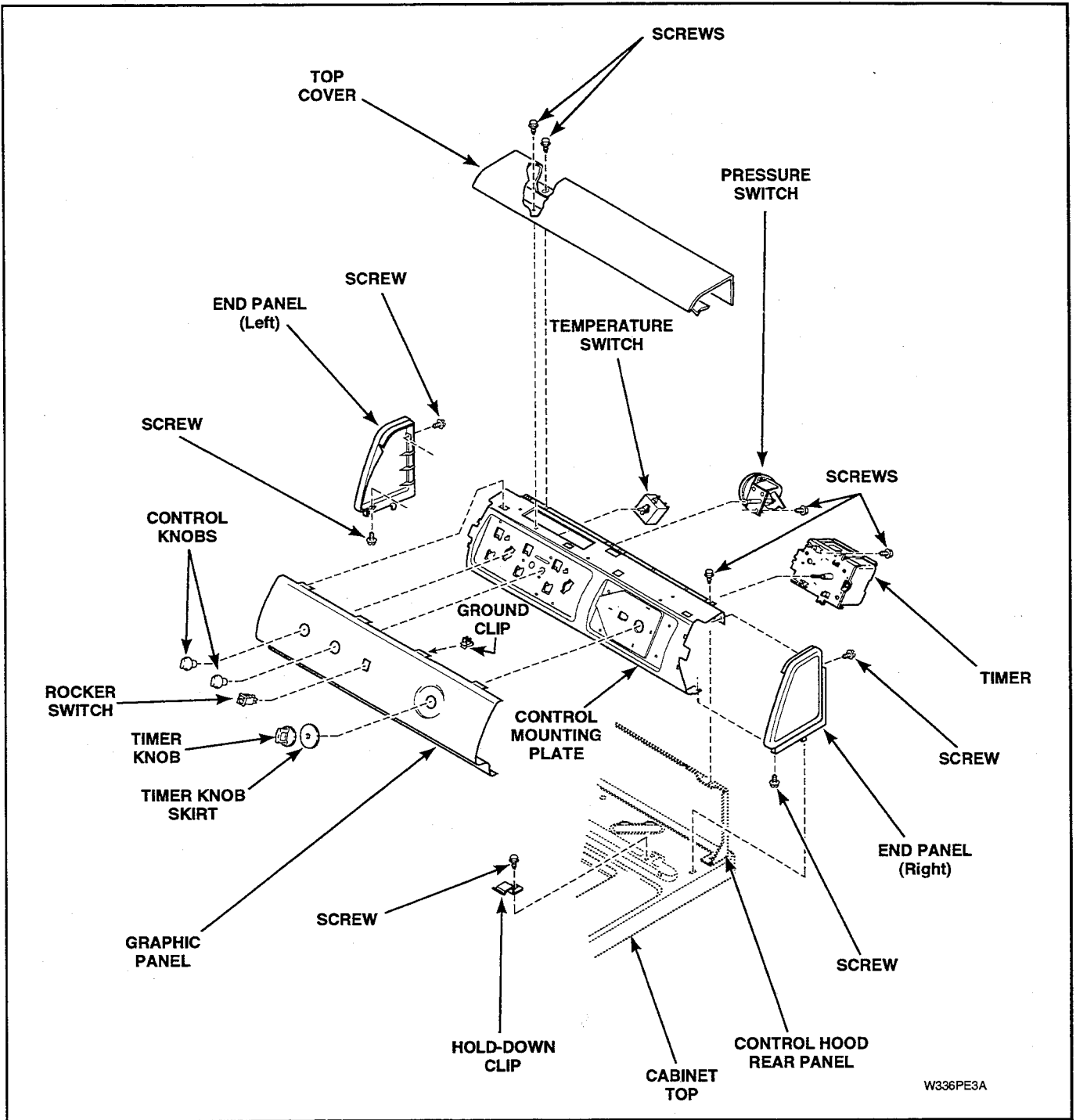


Figure 5-3

GRAPHIC PANEL, CONTROL MOUNTING PLATE AND CONTROLS
 (Models LWS55A*)



WARNING

To reduce the risk of electric shock, fire, explosion, serious injury or death:

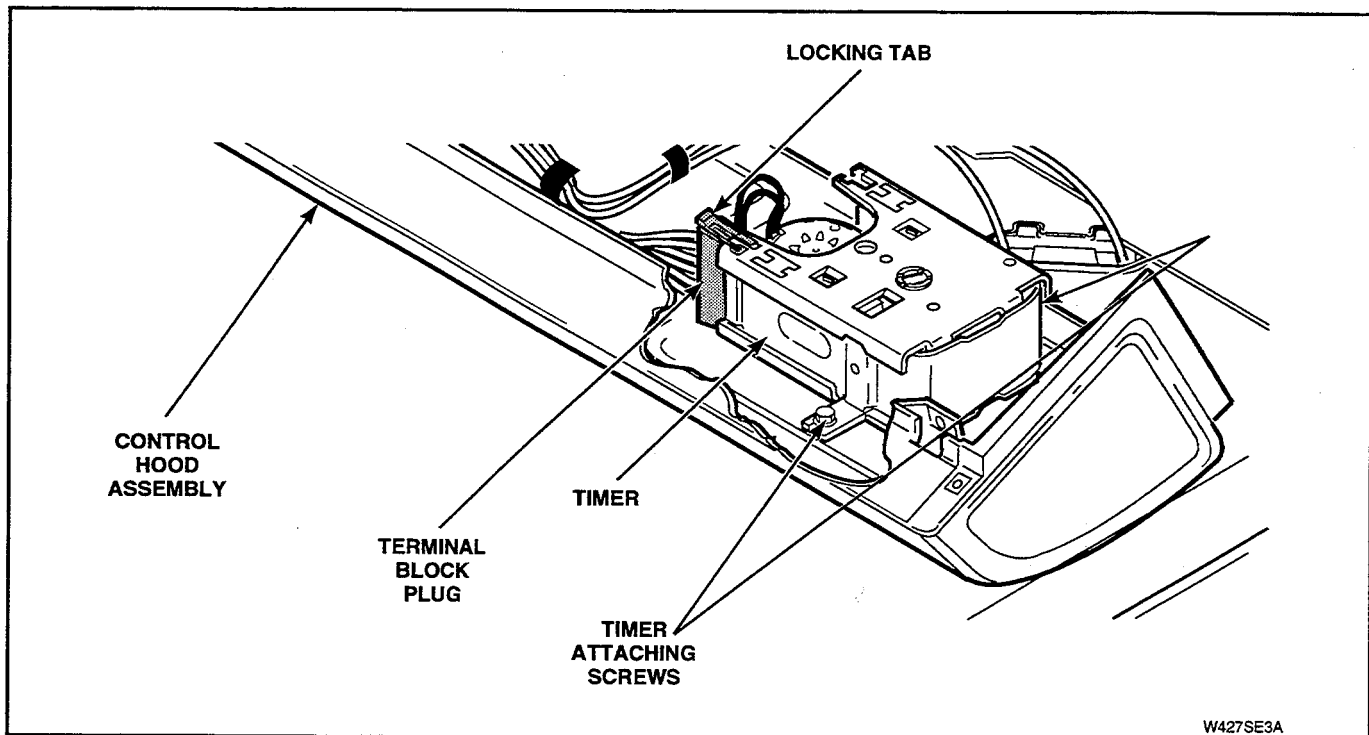
- Disconnect electric power to the washer before servicing.
- Never start the washer with any guards/panels removed.
- Whenever ground wires are removed during servicing, these ground wires must be reconnected to ensure that the washer is properly grounded.

W003

2. TIMER (Refer to Figures 5-2 or 5-3)

- Unscrew timer knob from timer shaft (right hand thread), then remove timer knob skirt.
- Remove three screws holding rear of hood assembly to control hood rear panel. See Figure 5-1.
- Pivot hood assembly forward on cabinet top. See Figure 5-1.
- Remove two screws holding timer to control hood mounting plate. See Figure 5-4.

NOTE: DO NOT attempt to repair timer.



W427SE3A

Figure 5-4



WARNING

To reduce the risk of electric shock, fire, explosion, serious injury or death:

- Disconnect electric power to the washer before servicing.
- Never start the washer with any guards/panels removed.
- Whenever ground wires are removed during servicing, these ground wires must be reconnected to ensure that the washer is properly grounded.

W003

- e. Disengage wire harness terminal block plugs from timer by pressing in on movable locking tabs (located on each side of terminal block plug) and pulling away from timer. See Figure 5-4.

IMPORTANT: To avoid an open circuit, **DO NOT** pull on terminal block wires when removing blocks from timer as this could damage wires or terminal crimping.

Before attaching wire harness terminal blocks to timer, make sure all male terminals on timer are straight and are capable of accepting terminals from wire harness terminal blocks.

NOTE: When installing timer, make sure timer is installed correctly and is securely mounted to control mounting plate. See Figure 5-5.

- f. Seat horizontal and vertical tabs on front plate of timer completely into slots on control mounting plate. See Figure 5-5.
- g. Tighten attaching screws between 12 to 18 inch pounds (1.6 to 2.4 N-m).

IMPORTANT: To avoid timer damage, do not allow timer to be struck on corners, edges of frame, or on timer shaft.

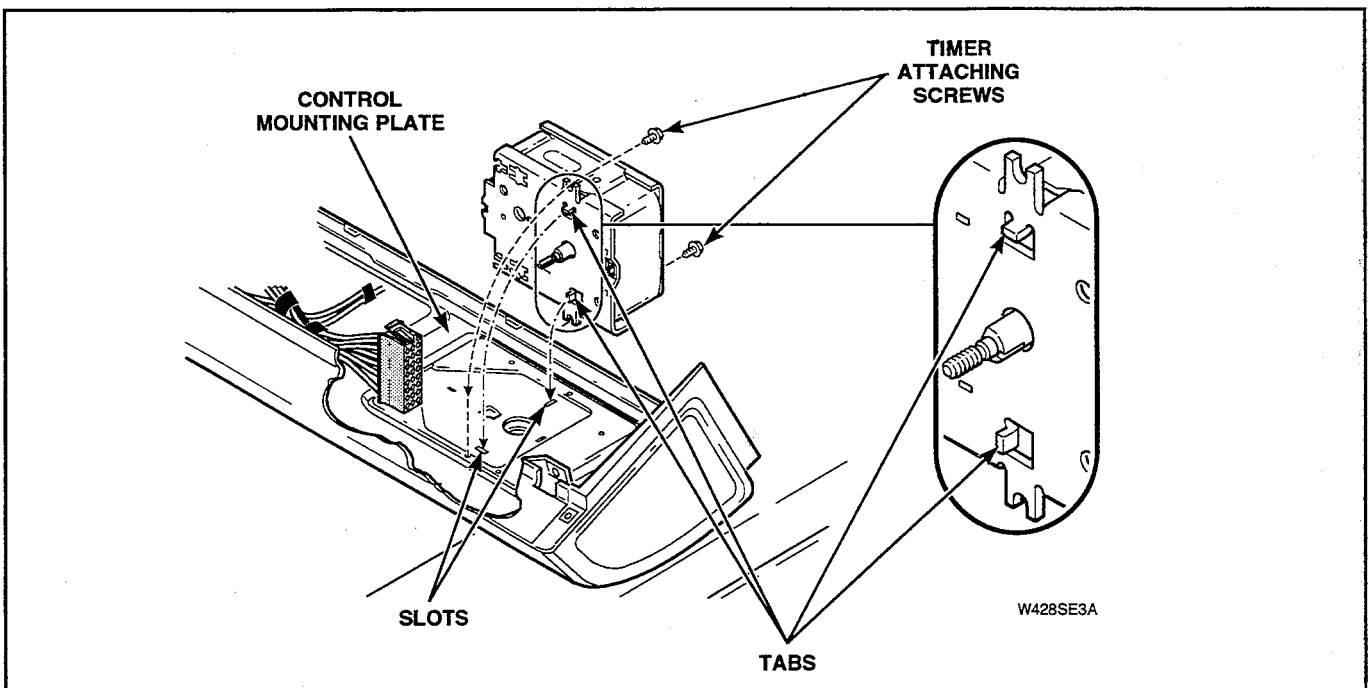


Figure 5-5



WARNING

To reduce the risk of electric shock, fire, explosion, serious injury or death:

- Disconnect electric power to the washer before servicing.
- Never start the washer with any guards/panels removed.
- Whenever ground wires are removed during servicing, these ground wires must be reconnected to ensure that the washer is properly grounded.

W003

3. TEMPERATURE SWITCH

- Remove three screws holding rear of hood assembly to control hood rear panel. See Figure 5-1.
- Pivot hood assembly forward on cabinet top. See Figure 5-1.
- Disconnect wires from switch terminals.
- Refer to Figures 5-2 or 5-3 for switch removal.

NOTE: Refer to appropriate wiring diagram when rewiring switch.

4. PRESSURE SWITCH

- Remove three screws holding rear of hood assembly to control hood rear panel. See Figure 5-1.
- Pivot hood assembly forward on cabinet top. See Figure 5-1.
- Disconnect wires from pressure switch.
- Refer to Figures 5-2 or 5-3 for switch removal.

NOTE: Refer to appropriate wiring diagram when rewiring switch.

IMPORTANT: Before connecting hose to pressure switch, blow air through pressure hose to remove any condensation that may have accumulated in the hose.

5. GRAPHIC PANEL

(Refer to Figures 5-2 or 5-3)

- Unscrew timer knob from timer shaft (right hand thread), then remove timer knob skirt.
- Pull knob off switch shaft.
- Remove three screws holding rear of hood assembly to control hood rear panel. See Figure 5-1.
- Pivot hood assembly forward on cabinet top. See Figure 5-1.
- Disconnect wires from component parts and carefully remove components from control hood assembly.

NOTE: Refer to appropriate wiring diagram when rewiring component parts.

- Bend tabs on graphic panel (located inside of control hood) straight out toward rear of hood.
- Carefully remove graphic panel off front of control mounting plate



WARNING

To reduce the risk of electric shock, fire, explosion, serious injury or death:

- Disconnect electric power to the washer before servicing.
- Never start the washer with any guards/panels removed.
- Whenever ground wires are removed during servicing, these ground wires must be reconnected to ensure that the washer is properly grounded.

W003

6. LOADING DOOR

- Open loading door. See Figure 5-6.
- Remove two screws holding left hinge to door and remove hinge. See Figure 5-6.
- Raise loading door to a nearly vertical position, to disengage loading door from loading door clip, swing left side of door toward front of washer. See Figure 5-7, **procedure one**.
- Rotate loading door so door is upside down. See Figure 5-7, **procedure two**.
- Carefully remove loading door, right hinge and bushing from cabinet top. See Figure 5-7, **procedure three**.

NOTE: Reverse procedure when installing door.

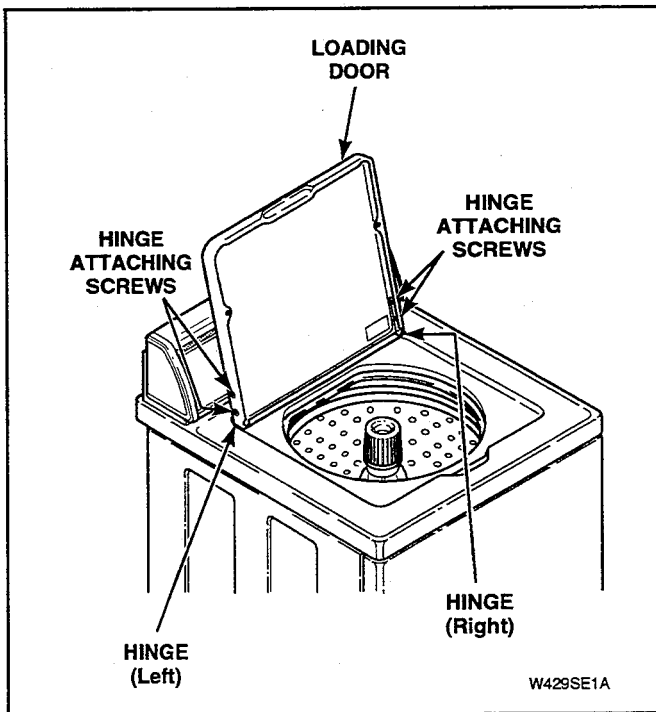


Figure 5-6

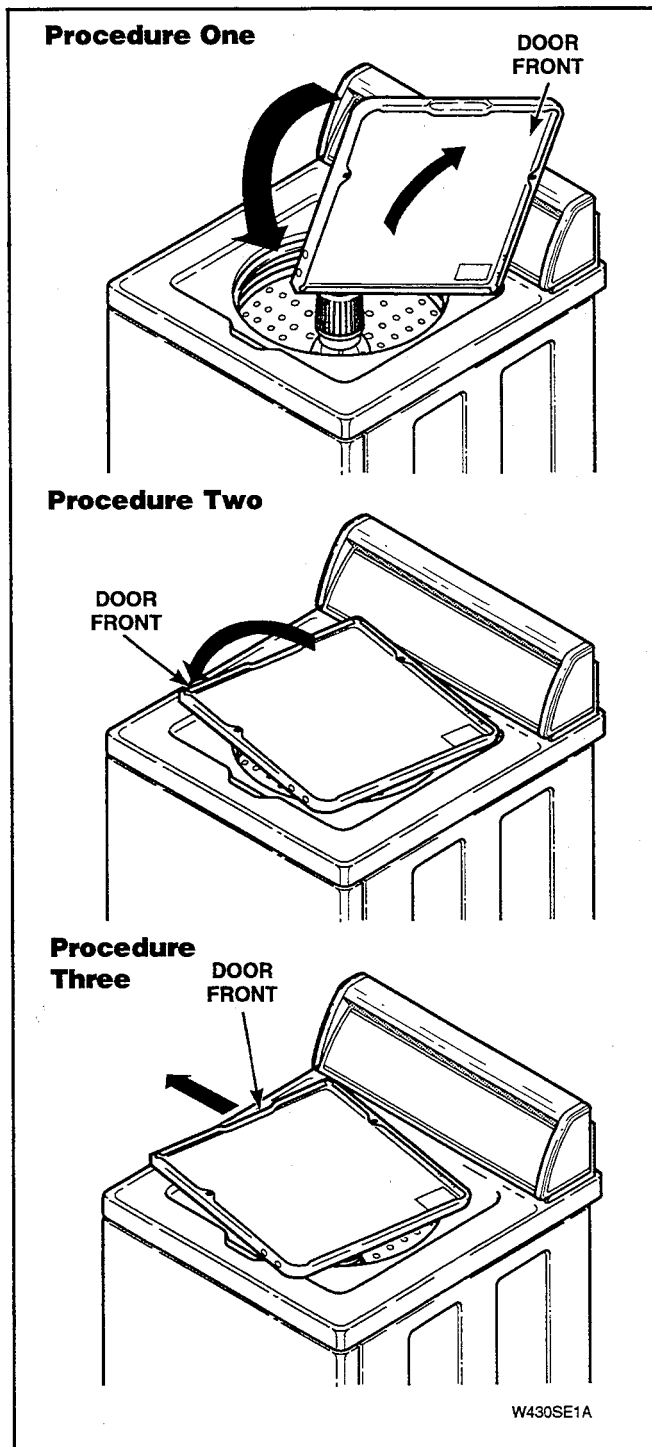


Figure 5-7



WARNING

To reduce the risk of electric shock, fire, explosion, serious injury or death:

- Disconnect electric power to the washer before servicing.
- Never start the washer with any guards/panels removed.
- Whenever ground wires are removed during servicing, these ground wires must be reconnected to ensure that the washer is properly grounded.

W003

7. AGITATOR

- Open loading door.
- Remove agitator by placing two agitator hooks, No. 254P4P, under bottom edge of agitator. See Figure 5-8.

IMPORTANT: Hooks should be positioned 180 degrees from each other, and must be placed under base of agitator near agitator vane for greater stability. If hooks are placed between the vane area, agitator damage may occur.

- Using a rocking motion (back and forth) carefully lift agitator off drive bell.

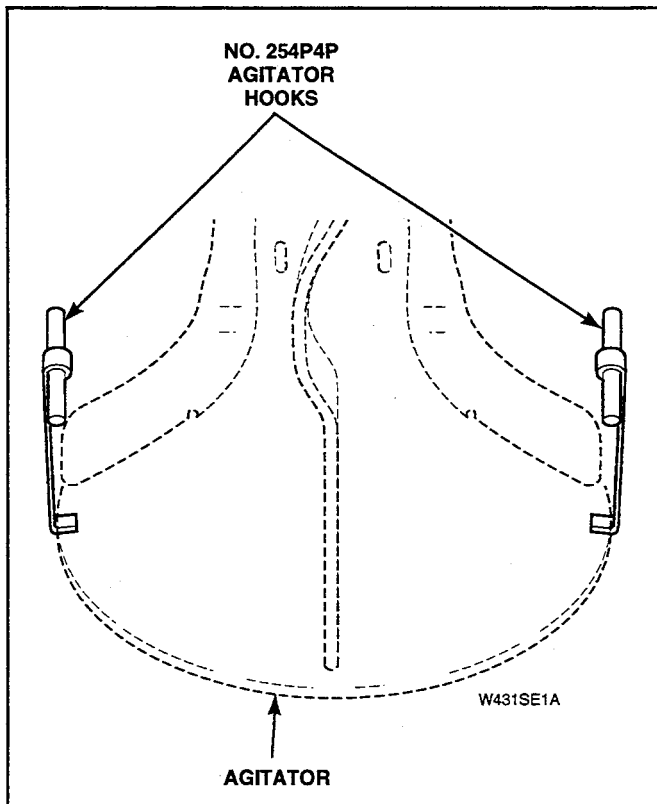


Figure 5-8

8. AGITATOR, DRIVE BELL AND SEAL ASSEMBLY

IMPORTANT: If water is present in washtub, spin and pump out before attempting to remove drive bell.

- Remove agitator, paragraph 7.
- Remove plug, screw and "O" ring from top of drive bell.

NOTE: Use No. 294P4 Drive Bell Tool to remove drive bell from transmission shaft.

NOTE: Drive Bell Tool, No. 253P4, must be updated with Jaws, No. 294P4A, and Bolt, No. 294P4B, to remove the 36443P Drive Bell.

- Back bolt out of 294P4 Drive Bell Tool approximately three quarters of the way. See Figure 5-9.
- Place tool over drive bell, making sure indent on jaws line up with wide slots on drive bell. See Figure 5-10.

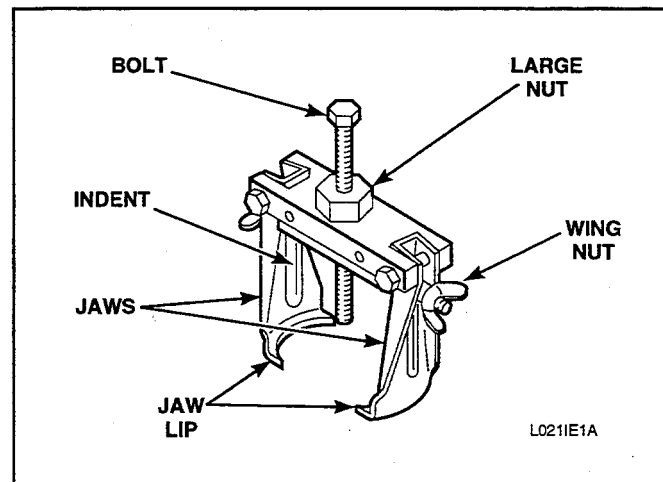


Figure 5-9



WARNING

To reduce the risk of electric shock, fire, explosion, serious injury or death:

- Disconnect electric power to the washer before servicing.
- Never start the washer with any guards/panels removed.
- Whenever ground wires are removed during servicing, these ground wires must be reconnected to ensure that the washer is properly grounded.

W003

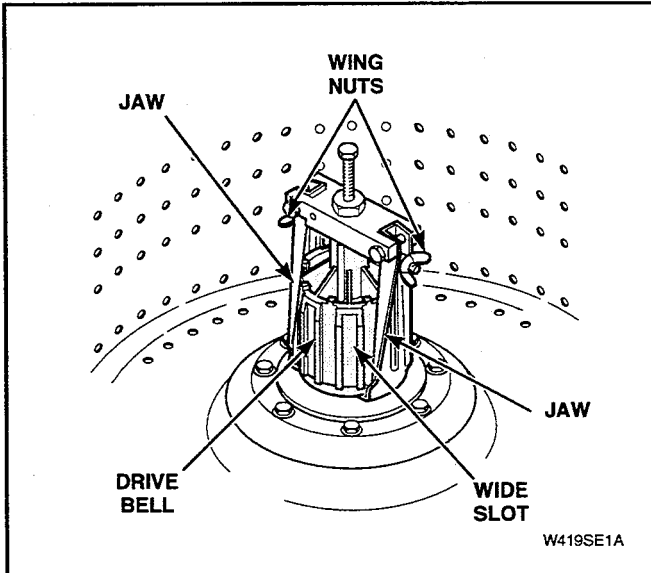


Figure 5-10

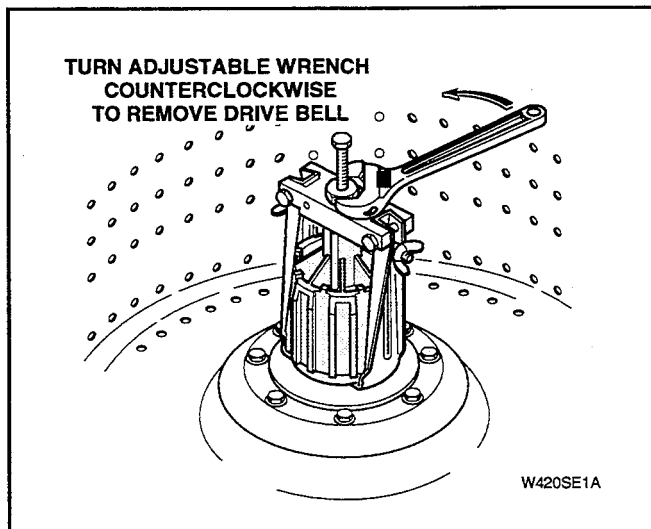


Figure 5-11

- Thread bolt down through hole in top of drive bell until it bottoms out.
- Place lip of each jaw under bottom edge of drive bell, making sure indent on jaws line up with wide slots on drive bell. Tighten wing nuts on tool to hold jaws firmly against drive bell. See Figure 5-10.
- Using an adjustable wrench, turn large nut on tool **COUNTERCLOCKWISE** to pull drive bell from transmission output shaft. See Figure 5-11.

IMPORTANT: If large nut is turned clockwise when pulling drive bell, you will twist off the quarter inch bolt.

- After drive bell has been pulled, remove tool and drive bell by turning quarter inch bolt out of transmission output shaft.

(continued)



WARNING

To reduce the risk of electric shock, fire, explosion, serious injury or death:

- Disconnect electric power to the washer before servicing.
- Never start the washer with any guards/panels removed.
- Whenever ground wires are removed during servicing, these ground wires must be reconnected to ensure that the washer is properly grounded.

W003

- Loosen wing nuts and remove drive bell from tool.
- Remove old seal from hub assembly by:
 - Placing a flat bladed screwdriver between bottom edge of seal and hub.
 - Using washtub bolts as a pry area, pop off lower seal bead.
 - Grasping bottom of seal pull straight up freeing upper seal bead.
- Thoroughly clean all foreign material from seal mounting area of hub assembly, bronze bearing and washer. See Figure 5-12.
- Lubricate new seal with liquid soap or soapy water to aid in assembly of seal onto hub. See Figure 5-13.
- Apply a small amount of supplied grease, No. 36765P, to inside sealing lips of seal. See Figure 5-13.

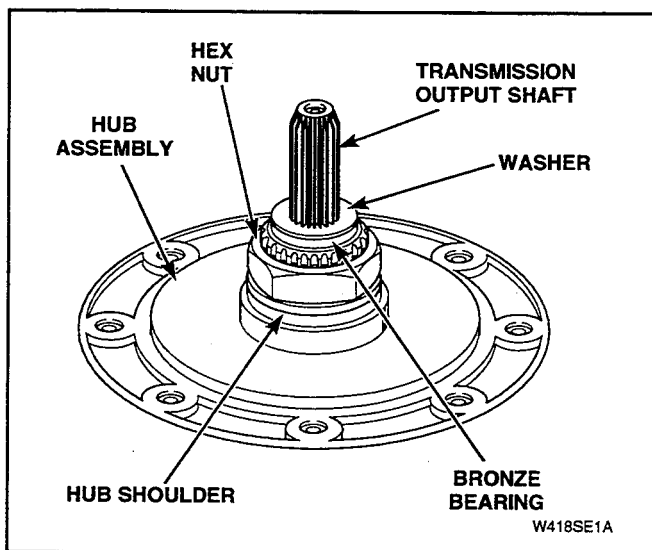


Figure 5-12

IMPORTANT: DO NOT allow any lubricants to come in contact with outside surface of seal.



WARNING

To reduce the risk of electric shock, fire, explosion, serious injury or death:

- Disconnect electric power to the washer before servicing.
- Never start the washer with any guards/panels removed.
- Whenever ground wires are removed during servicing, these ground wires must be reconnected to ensure that the washer is properly grounded.

W003

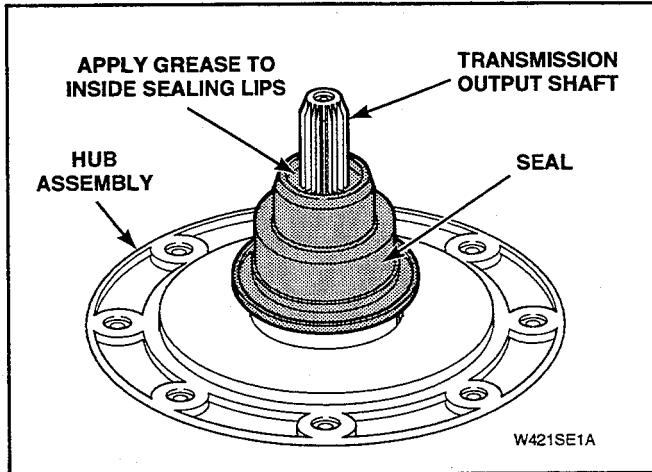


Figure 5-13

- n. Apply remainder of supplied grease, No. 36765P, to exposed surface of washer between transmission output shaft and seal. See Figure 5-15.
- o. Place new drive bell seal onto hub and carefully push into position using large end of No. 293P4 Seal Tool. See Figure 5-14.

IMPORTANT: Using a small pocket mirror, check entire circumference of bottom seal flange to make sure seal is pressed down against shoulder on hub; there should be no gap!

- p. Turn the No. 293P4 Seal Tool upside-down and place the small end over transmission output shaft and onto the seal. See Figure 5-15.
- q. Push down on tool with a quick motion until it bottoms out and the top of seal is fully seated. See Figure 5-15.

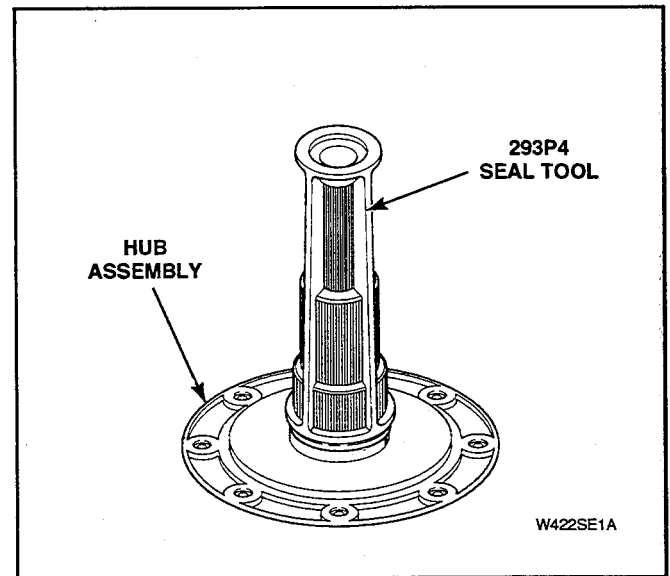


Figure 5-14

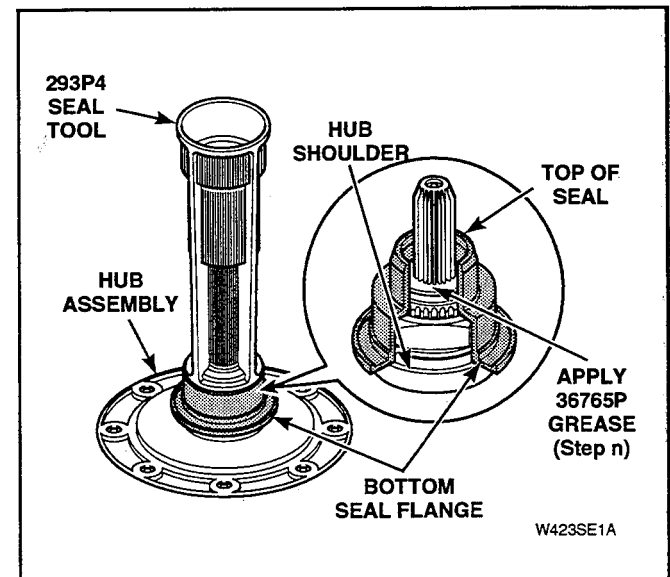


Figure 5-15



WARNING

To reduce the risk of electric shock, fire, explosion, serious injury or death:

- **Disconnect electric power to the washer before servicing.**
- **Never start the washer with any guards/panels removed.**
- **Whenever ground wires are removed during servicing, these ground wires must be reconnected to ensure that the washer is properly grounded.**

W003

INSTALLING DRIVE BELL

- a. Position new drive bell over transmission output shaft. Rotate drive bell until splines in drive bell line up with splines on transmission output shaft.
- b. Place No. 294P4 Bell Tool over top of drive bell. Screw bolt into transmission output shaft until it bottoms out.

NOTE: It is not necessary to clamp tool jaws on drive bell during this operation.

- c. Using an adjustable wrench, turn large nut on tool **CLOCKWISE** to force drive bell down onto transmission shaft until drive bell bottoms out on shaft.
- d. Turn quarter inch bolt out of transmission shaft and remove tool.
- e. Place new "O" ring onto new shoulder screw. Thread shoulder screw down through hole in top of drive bell and into transmission shaft.

NOTE: Tighten new shoulder screw to approximately 60 to 80 inch-pounds (6.86 to 9.15 N-m).

- f. Place new plug over hole in drive bell and firmly press into place using palm of your hand.

NOTE: It may be necessary to insert the end of a paper clip along side of plug as it is pressed into drive bell to release entrapped air.

IMPORTANT: When fully seated plug should not extend above drive bell more than 1/8 inch (3.2 mm).

- g. Place agitator on top of drive bell. Slowly rotate agitator until fingers on underside of agitator line up with large slots on drive bell.
- h. A sharp blow on top of agitator, with palm of your hand, will force agitator down onto drive bell, allowing fingers on underside of agitator to lock under bottom edge of drive bell.

NOTE: Do not push agitator onto drive bell any further than necessary.



WARNING

To reduce the risk of electric shock, fire, explosion, serious injury or death:

- Disconnect electric power to the washer before servicing.
- Never start the washer with any guards/panels removed.
- Whenever ground wires are removed during servicing, these ground wires must be reconnected to ensure that the washer is properly grounded.

W003

9. FRONT PANEL

NOTE: Screws at bottom edge of front panel do not have to be removed as the holes in front panel are slotted.

NOTE: Top edge of front panel is held in place by two spring clips located on bottom flange of cabinet top. See Figure 5-16.

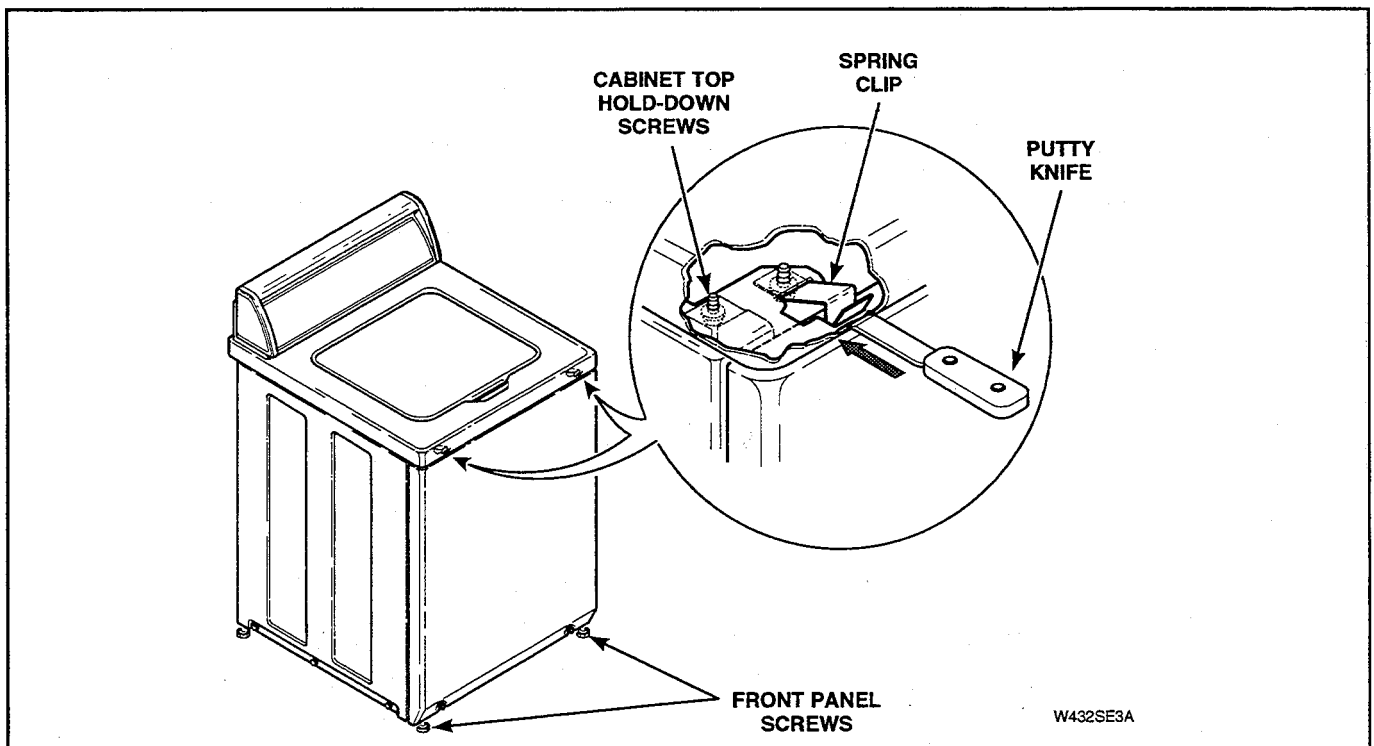
- a. Insert putty knife between cabinet top and top edge of front panel (approximately three inches in from side). See Figure 5-16.
- b. Push in on putty knife and at the same time pull top edge of front panel away from front of washer. Repeat for opposite side.
- c. Lift front panel off two screws and set panel aside.

PANEL LOCATORS

Remove screws holding panel locators to side flanges of front panel.

BRACE

Remove screws holding brace to side flanges of front panel. Remove brace from front panel by swinging one end toward bottom of front panel and remove brace.





WARNING

To reduce the risk of electric shock, fire, explosion, serious injury or death:

- Disconnect electric power to the washer before servicing.
- Never start the washer with any guards/panels removed.
- Whenever ground wires are removed during servicing, these ground wires must be reconnected to ensure that the washer is properly grounded.

W003

10. MOTOR AND MOUNTING BRACKET

NOTE: Screws at bottom edge of front panel do not have to be removed as the holes in front panel are slotted.

NOTE: Top edge of front panel is held in place by two spring clips located on bottom flange of cabinet top. See Figure 5-16.

- Insert putty knife between cabinet top and top edge of front panel (approximately three inches in from side). See Figure 5-16.
- Push in on putty knife and at the same time pull top edge of front panel away from front of washer. Repeat for opposite side.
- Lift front panel off two screws and set panel aside.

IMPORTANT: There will always be some water that will remain in outer tub, therefore, before removing hoses from pump, hoses must be pinched off or drained to prevent water spillage.

- Loosen hose clamps and remove hoses from pump assembly. See Figure 5-17.

- Unhook idler spring from clip on front of motor mounting bracket. See Figure 5-17.

IMPORTANT: Use care when releasing idler lever tension. If idler spring is overstretched, washer operation will be affected.

- Reach in and around right side of motor and run belt off right side of large drive pulley. See Figure 5-17.
- Disconnect wire harness from motor switch by pressing down on locking tab on top of connection block and at the same time pull connection block away from motor switch. See Figure 5-17.
- Remove four screws holding motor and mounting bracket to lower outer tub flange and to weldment assembly. See Figure 5-17. Then lift complete assembly out of washer.

IMPORTANT: Carefully lay motor on its side. Observe belt configuration around rear pump leg. Belt **MUST** encircle rear pump leg when reassembling. See Figure 5-18.

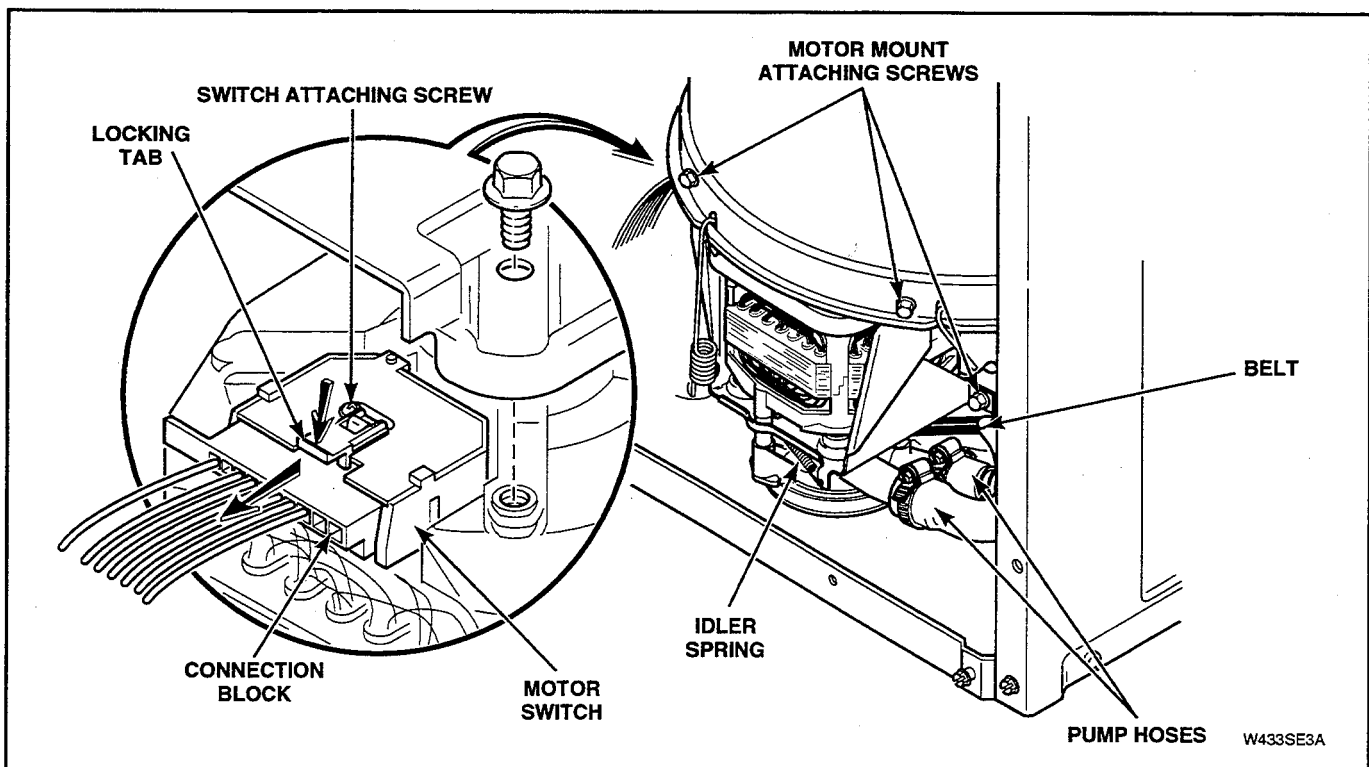


Figure 5-17

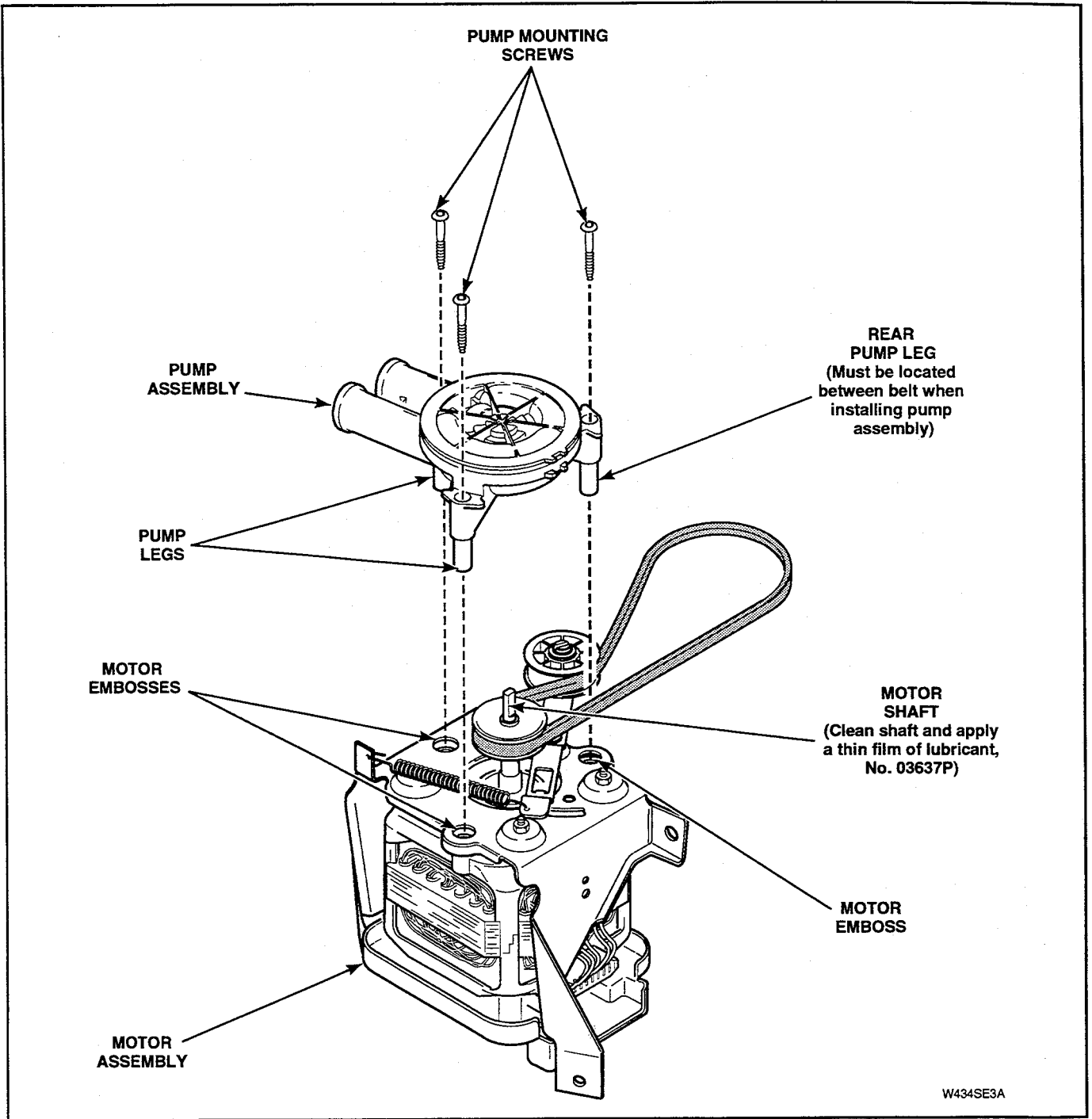


Figure 5-18



WARNING

To reduce the risk of electric shock, fire, explosion, serious injury or death:

- Disconnect electric power to the washer before servicing.
- Never start the washer with any guards/panels removed.
- Whenever ground wires are removed during servicing, these ground wires must be reconnected to ensure that the washer is properly grounded.

W003

PUMP AND BELT REMOVAL

- a. Remove three screws holding pump assembly to motor. See Figure 5-18.

REASSEMBLY OF PUMP AND BELT

IMPORTANT: Install pump and belt together. Drive belt **MUST** be replaced with belt No. 37820 (special clutch-type belt) for proper washer operation.

- a. Clean any corrosion or foreign material from motor shaft that will be contacting the double “D” slot in pump impeller.
- b. Apply a thin film of No. 03637P Lubricant to end and sides of motor shaft. This lubricant helps keep moisture out of the hub area and retards corrosion.
- c. Align pump impeller hub with motor shaft. Make sure belt encircles rear pump leg, carefully push pump onto motor shaft so three pump legs bottom out in the embosses on motor housing before screws are tightened. See Figure 5-18.
- d. Tighten three screws to 35 inch-pounds (4.0 N-m) maximum. **DO NOT** overtighten screws!
- e. Reinstall motor and pump assembly into washer.

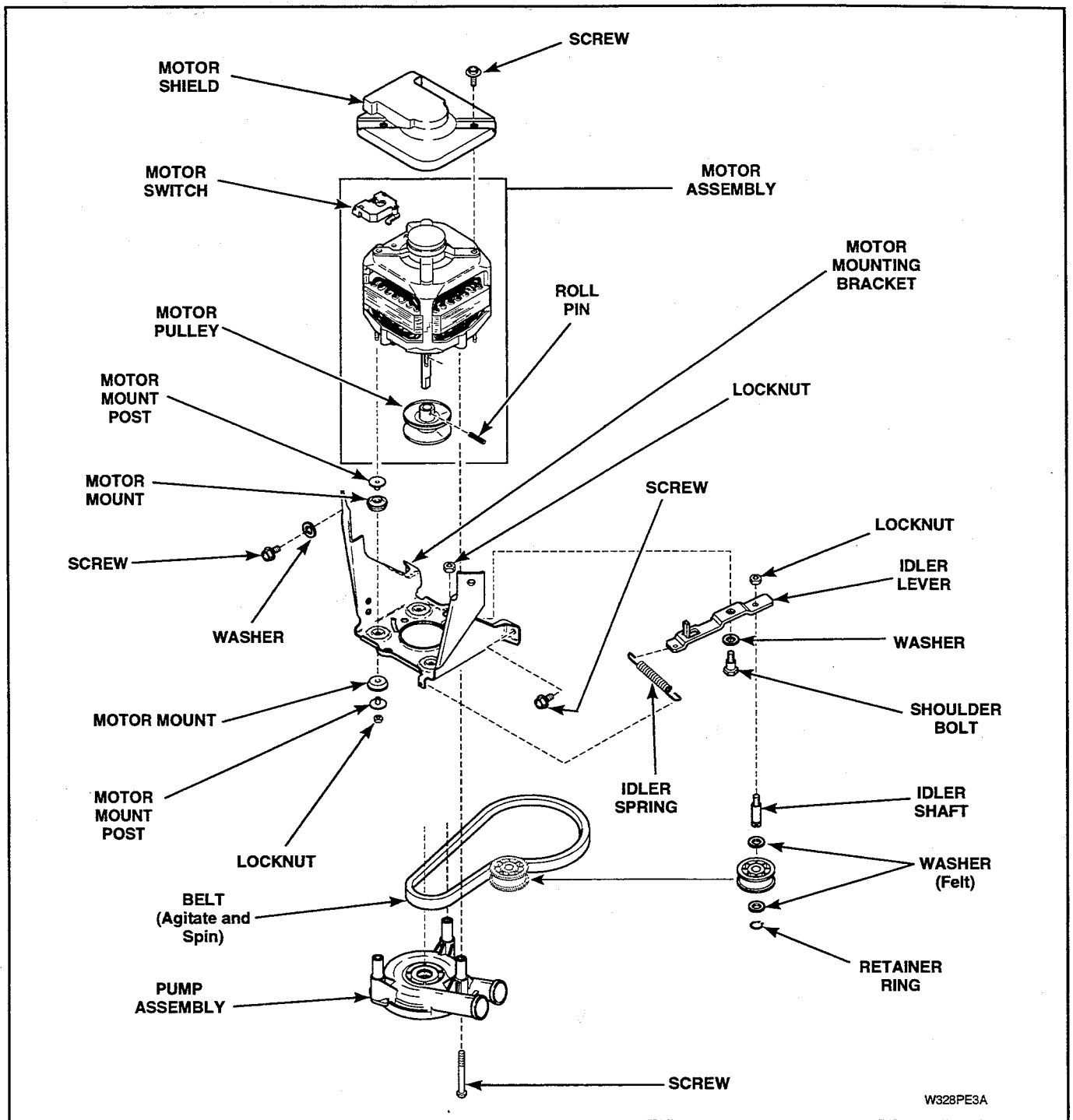
IMPORTANT: After installing motor and pump assembly in washer and all hoses have been reconnected, add at least a quart of water to washtub to lubricate pump seals. Running a pump without water will ruin the seals.

MOTOR REMOVAL

Remove nuts, steel washers, spacers and rubber mounts holding motor to mounting bracket. See Figure 5-19. Lift motor off mounting bracket and remove balance of rubber mounts and steel washers from motor mounting studs.

IMPORTANT: When installing motor on mounting bracket, position motor with switch facing toward left side of mounting bracket.

NOTE: Refer to Figure 5-19 for motor and mounting bracket assembly sequence.



W328PE3A

Figure 5-19



WARNING

To reduce the risk of electric shock, fire, explosion, serious injury or death:

- Disconnect electric power to the washer before servicing.
- Never start the washer with any guards/panels removed.
- Whenever ground wires are removed during servicing, these ground wires must be reconnected to ensure that the washer is properly grounded.

W003

11. IDLER LEVER AND PULLEY

NOTE: Screws located at bottom edge of front panel do not have to be removed as the holes in front panel are slotted.

NOTE: Top edge of front panel is held in place by two spring clips located on bottom flange of cabinet top. See Figure 5-16.

- a. Insert putty knife between cabinet top and top edge of front panel (approximately three inches in from side). See Figure 5-16.
- b. Push in on putty knife and at the same time pull top edge of front panel away from front of washer. Repeat for opposite side.
- c. Lift front panel off two screws and set panel aside.

IMPORTANT: There will always be some water that will remain in outer tub, therefore, before removing hoses from pump, hoses must be pinched off or drained to prevent water spillage.

- d. Loosen hose clamps and remove hoses from pump assembly. See Figure 5-17.
- e. Unhook idler spring from idler lever. See Figure 5-19.

IMPORTANT: Use care when removing idler spring. If idler spring is overstretched, washer operation will be affected.

- f. Reach in and around right side of motor and run belt off right side of large drive pulley. See Figure 5-17.
- g. Disconnect wire harness from motor switch by pressing down on locking tab on top of connection block and at the same time pull connection block away from motor switch. See Figure 5-20.
- h. Remove four screws holding motor mounting bracket to lower flange of outer tub and to weldment assembly. See Figure 5-20. Then remove complete assembly out of washer.
- i. Remove nut, washer and bolt holding idler lever and pulley to motor mounting bracket. See Figure 5-19.

NOTE: Refer to Figure 5-19 for idler lever and pulley assembly sequence.

- j. Apply a light film of No. 03637P Lubricant to area of idler lever that makes contact with motor mounting bracket.



WARNING

To reduce the risk of electric shock, fire, explosion, serious injury or death:

- Disconnect electric power to the washer before servicing.
- Never start the washer with any guards/panels removed.
- Whenever ground wires are removed during servicing, these ground wires must be reconnected to ensure that the washer is properly grounded.

W003

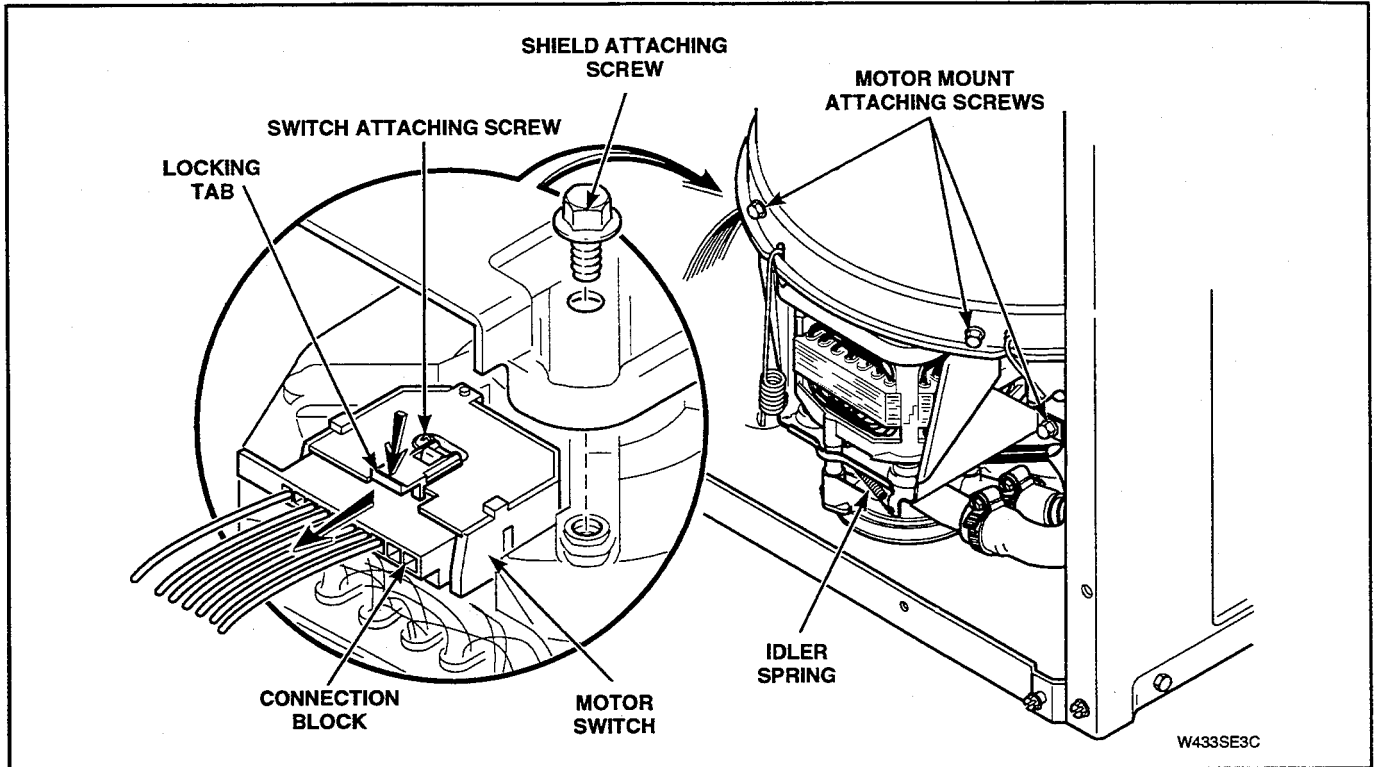


Figure 5-20

12. MOTOR DRIVE PULLEY

NOTE: Screws located at bottom edge of front panel do not have to be removed as the holes in front panel are slotted.

NOTE: Top edge of front panel is held in place by two spring clips located on bottom flange of cabinet top. See Figure 5-16.

- a. Insert putty knife between cabinet top and top edge of front panel (approximately three inches in from side). See Figure 5-16.
- b. Push in on putty knife and at the same time pull top edge of front panel away from front of washer. Repeat for opposite side.
- c. Lift front panel off two screws and set panel aside.

IMPORTANT: There will always be some water that will remain in outer tub, therefore, before removing hoses from pump, hoses must be pinched off or drained to prevent water spillage.

- d. Loosen hose clamps and remove hoses from pump assembly. See Figure 5-17.

- e. Unhook idler spring from idler lever. See Figure 5-19.

IMPORTANT: Use care when removing idler spring. If idler spring is overstretched, washer operation will be affected.

- f. Reach in and around right side of motor and run belt off right side of large drive pulley. See Figure 5-17.
- g. Disconnect wire harness from motor switch by pressing down on locking tab on top of connection block and at the same time pull connection block away from motor switch. See Figure 5-20.
- h. Remove four screws holding motor mounting bracket to lower flange of outer tub and to weldment assembly. See Figure 5-20. Then remove complete assembly out of washer.
- i. Lay motor assembly on its side.

NOTE: To remove pulley, support motor shaft (to prevent bending shaft) and drive out pulley roll pin. See Figure 5-19.



WARNING

To reduce the risk of electric shock, fire, explosion, serious injury or death:

- Disconnect electric power to the washer before servicing.
- Never start the washer with any guards/panels removed.
- Whenever ground wires are removed during servicing, these ground wires must be reconnected to ensure that the washer is properly grounded.

W003

13. MOTOR SWITCH

NOTE: Screws located at bottom edge of front panel do not have to be removed as the holes in front panel are slotted.

NOTE: Top edge of front panel is held in place by two spring clips located on bottom flange of cabinet top. See Figure 5-21.

- Insert putty knife between cabinet top and top edge of front panel (approximately three inches in from side). See Figure 5-21.
- Push in on putty knife and at the same time pull top edge of front panel away from front of washer. Repeat for opposite side.
- Lift front panel off two screws and set panel aside.
- Remove two screws holding motor shield to motor. See Figure 5-21.

- Disconnect wire harness from motor switch by pressing down on locking tab on top of connection block and at the same time pull connection block away from motor switch. See Figure 5-20.

IMPORTANT: To avoid an open circuit, **DO NOT** pull on terminal block wires when removing block from motor switch as this could damage wires or connection crimpings. Before attaching wire harness connection block to motor switch, make sure all male terminals on motor switch are straight and are capable of accepting terminals from wire harness connection block.

- Remove screw holding motor switch to motor. See Figure 5-20. Then remove switch.
- Disconnect internal motor leads from motor switch terminals.

NOTE: Refer to Wiring Schematics, SECTION 9 for rewiring internal motor switch wires.

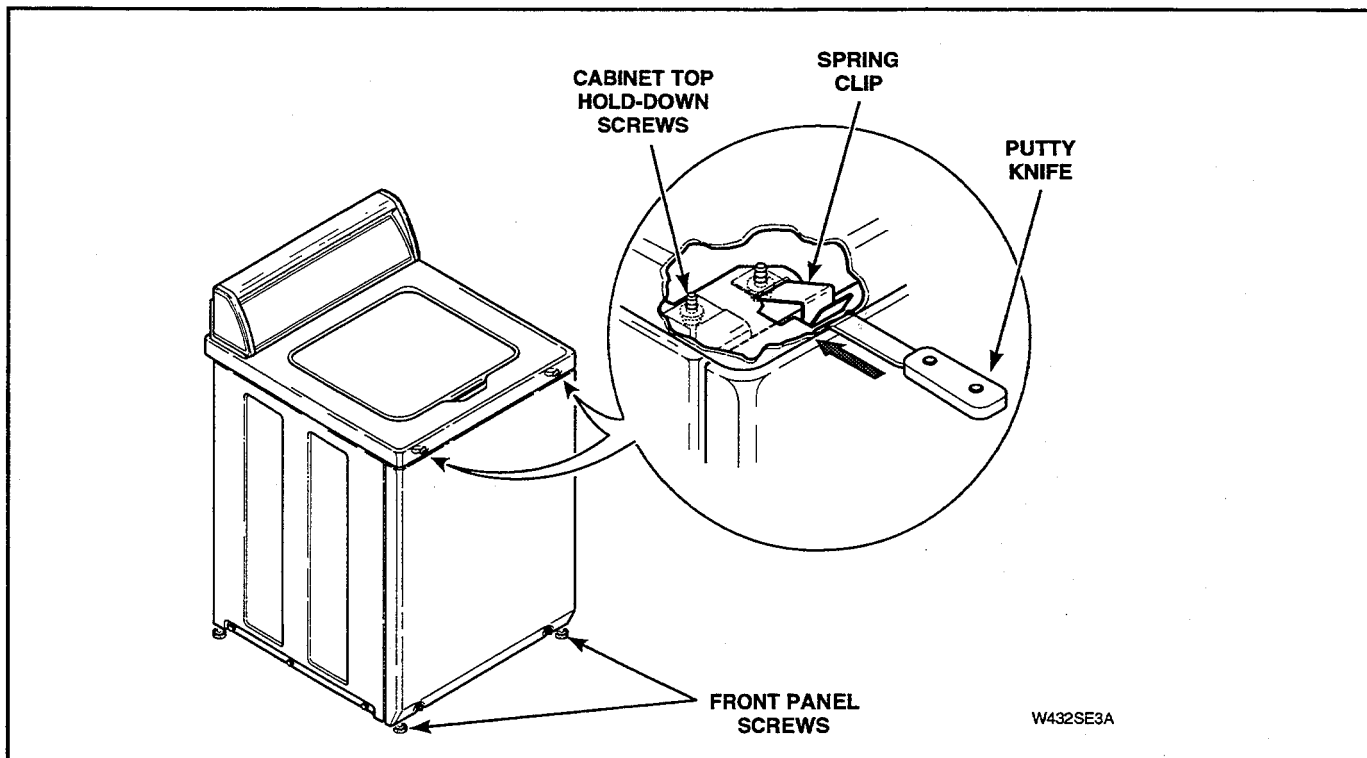


Figure 5-21



WARNING

To reduce the risk of electric shock, fire, explosion, serious injury or death:

- Disconnect electric power to the washer before servicing.
- Never start the washer with any guards/panels removed.
- Whenever ground wires are removed during servicing, these ground wires must be reconnected to ensure that the washer is properly grounded.

W003

14. CABINET TOP ASSEMBLY

NOTE: Screws located at bottom edge of front panel do not have to be removed as the holes in front panel are slotted.

NOTE: Top edge of front panel is held in place by two spring clips located on bottom flange of cabinet top. See Figure 5-16.

- Insert putty knife between cabinet top and top edge of front panel (approximately three inches in from side). See Figure 5-16.
- Push in on putty knife and at the same time pull top edge of front panel away from front of washer. Repeat for opposite side.
- Lift front panel off two screws and set panel aside.
- Remove two cabinet top hold-down screws. See Figure 5-21.
- If area or space permits, tape loading door closed and lift cabinet top to a vertical position by hinging it on the rear hold-down bracket.

NOTE: Cabinet top is self-supporting, however, a small chain may be used for additional support. See Figure 5-22.

NOTE: Before lowering cabinet top into position, pivot outer tub forward far enough to prevent damaging (bending) the loading door switch lever. See Figure 5-22.

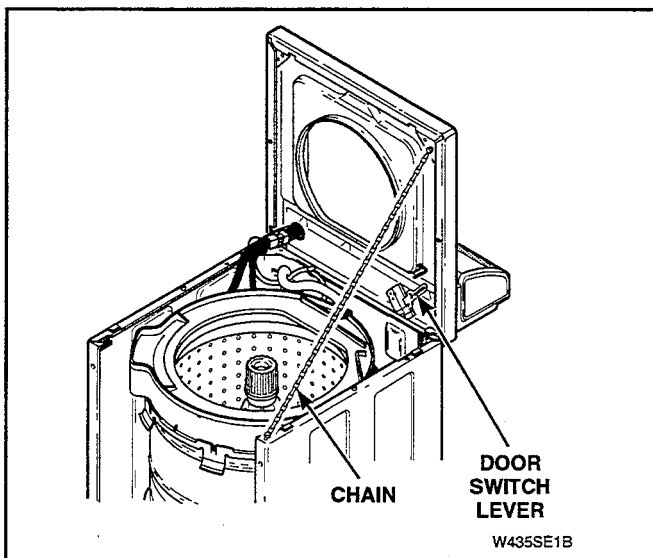


Figure 5-22

TO REMOVE CABINET TOP FROM WASHER

- Repeat steps "a", through "d" above.
- Tape loading door closed.
- Lift front of cabinet top slightly and pull forward to disengage from rear hold-down hinges.
- Pull top forward far enough to permit disconnecting ground wires from top left rear corner gusset of washer cabinet. See Figure 5-23.
- Disconnect wires from mixing valve solenoids at quick disconnect blocks. See Figure 5-23.
- Disconnect wire harness at disconnect blocks. See Figure 5-23.
- Loosen hose clamp and remove pressure hose from pressure bulb. See Figure 5-23.
- Remove pressure hose from clips located on mixing valve cabinet flange and top flange at rear of cabinet. See Figure 5-23.
- Carefully lift cabinet top off washer and set alongside the washer cabinet on protective padding.

IMPORTANT: DO NOT lay cabinet top flat because it will damage door switch lever.



WARNING

To reduce the risk of electric shock, fire, explosion, serious injury or death:

- Disconnect electric power to the washer before servicing.
- Never start the washer with any guards/panels removed.
- Whenever ground wires are removed during servicing, these ground wires must be reconnected to ensure that the washer is properly grounded.

W003

15. DOOR SWITCH

NOTE: Screws located at bottom edge of front panel do not have to be removed as the holes in front panel are slotted.

NOTE: Top edge of front panel is held in place by two spring clips located on bottom flange of cabinet top. See Figure 5-16.

- Insert putty knife between cabinet top and top edge of front panel (approximately three inches in from side). See Figure 5-16.
- Push in on putty knife and at the same time pull top edge of front panel away from front of washer. Repeat for opposite side.
- Lift front panel off two screws and set panel aside.
- Remove two cabinet top hold-down screws. See Figure 5-21.

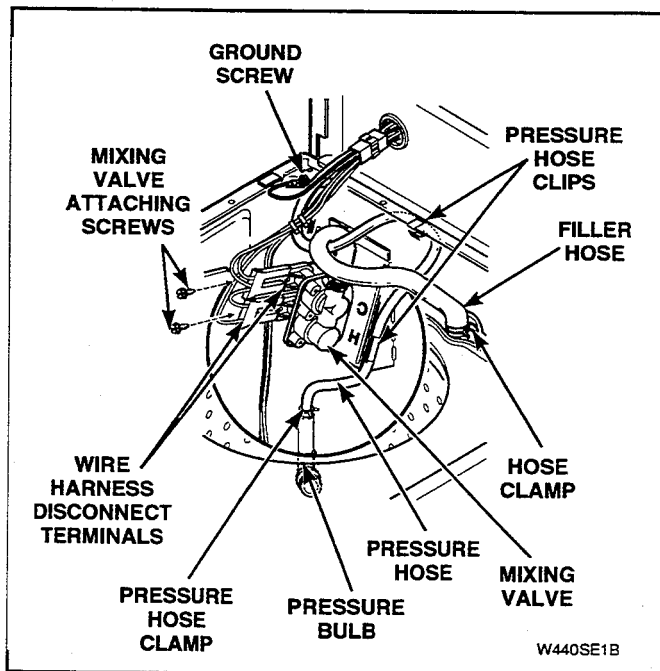


Figure 5-23

- If area or space permits, tape loading door closed and lift cabinet top to a vertical position by hinging it on the rear hinges.

NOTE: Cabinet top is self supporting, however, a small chain may be used for additional support. See Figure 5-22.

- Remove screw holding door switch assembly to underside of cabinet top. See Figure 5-24.
- Disconnect wires from door switch.

NOTE: Refer to appropriate wiring diagram when rewiring switch.

- Remove two screws holding switch to switch holder. See Figure 5-24.
- Remove switch from switch holder.

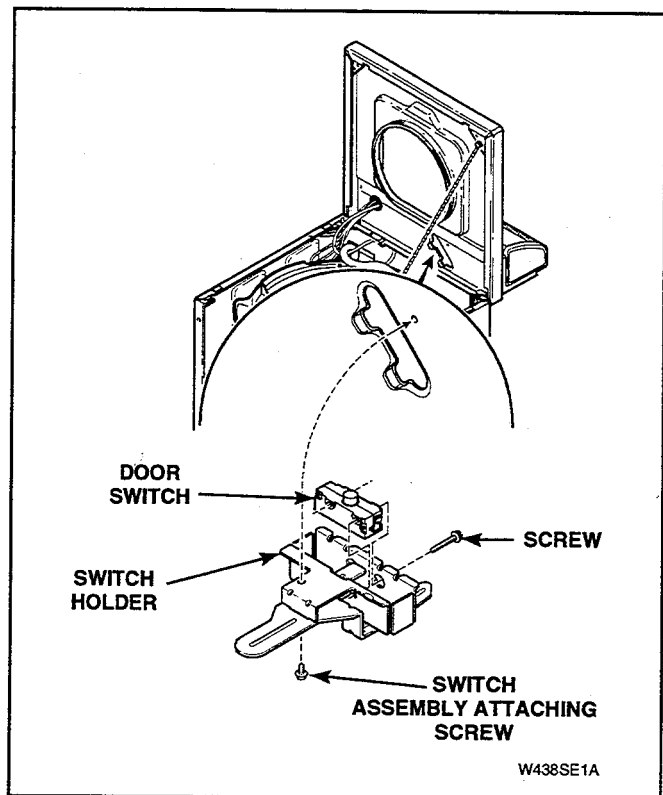


Figure 5-24



WARNING

To reduce the risk of electric shock, fire, explosion, serious injury or death:

- Disconnect electric power to the washer before servicing.
- Never start the washer with any guards/panels removed.
- Whenever ground wires are removed during servicing, these ground wires must be reconnected to ensure that the washer is properly grounded.

W003

16. MIXING VALVE ASSEMBLY

NOTE: Screws located at bottom edge of front panel do not have to be removed as the holes in front panel are slotted.

NOTE: Top edge of front panel is held in place by two spring clips located on bottom flange of cabinet top. See Figure 5-21.

- a. Insert putty knife between cabinet top and top edge of front panel (approximately three inches in from side). See Figure 5-21.
- b. Push in on putty knife and at the same time pull top edge of front panel away from front of washer. Repeat for opposite side.
- c. Lift front panel off two screws and set panel aside.
- d. Remove two cabinet top hold-down screws. See Figure 5-16.
- e. If area or space permits, tape loading door closed and lift cabinet top to a vertical position by hinging it on the rear hinges.

NOTE: Cabinet top is self supporting, however, a small chain may be used for additional support. See Figure 5-22.

- f. Remove two screws holding mixing valve to mounting bracket at rear of washer cabinet. See Figure 5-23.

NOTE: When installing mixing valve, tab on bottom flange must be placed in positioning hole in mounting bracket.

- g. Pull mixing valve out toward front of washer far enough to permit disconnecting water inlet and fill hoses from mixing valve. See Figure 5-23.
- h. Remove wires and quick disconnect blocks from mixing valve solenoid terminals. See Figure 5-23.

NOTE: Refer to appropriate wiring diagram when rewiring solenoids.



WARNING

To reduce the risk of electric shock, fire, explosion, serious injury or death:

- Disconnect electric power to the washer before servicing.
- Never start the washer with any guards/panels removed.
- Whenever ground wires are removed during servicing, these ground wires must be reconnected to ensure that the washer is properly grounded.

W003

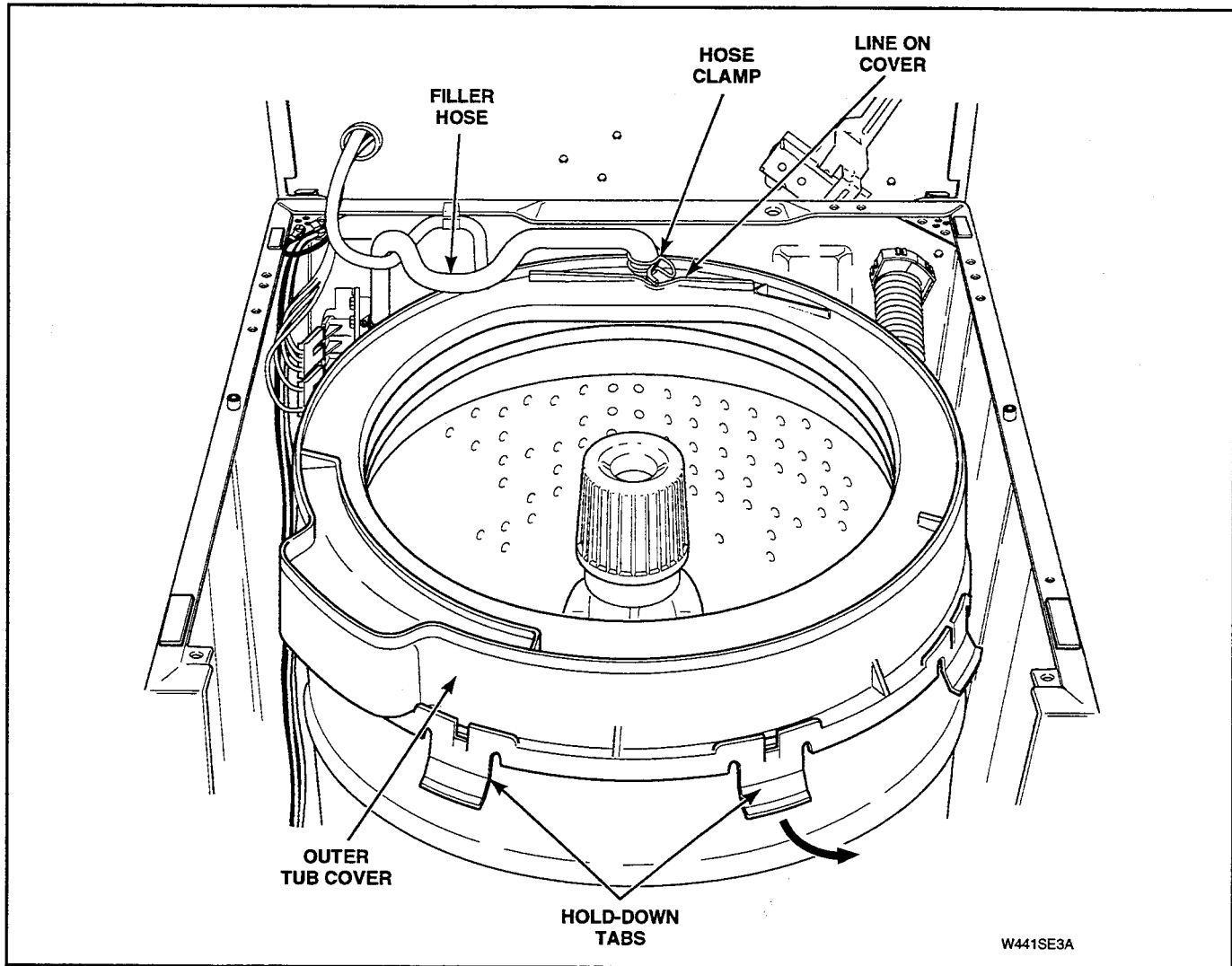


Figure 5-25

17. WASHTUB AND BALANCE RING

- Open loading door.
- Remove agitator by placing two agitator hooks, No. 254P4P, under bottom edge of agitator. See Figure 5-8.

IMPORTANT: Hooks should be positioned 180 degrees from each other, and must be placed under agitator vane for greater stability. If hooks are placed between vane area, agitator damage may occur.

- Using a rocking motion (back and forth) carefully lift agitator off drive bell.

- Hinge cabinet top or remove, paragraph 14.
- Loosen hose clamp and remove filler hose from outer tub cover. See Figure 5-25.

NOTE: When installing filler hose, white line on hose must be aligned with line located on top side of outer tub cover. See Figure 5-25.



WARNING

To reduce the risk of electric shock, fire, explosion, serious injury or death:

- Disconnect electric power to the washer before servicing.
- Never start the washer with any guards/panels removed.
- Whenever ground wires are removed during servicing, these ground wires must be reconnected to ensure that the washer is properly grounded.

W003

- f. There are eight tub cover hold-down tabs which snap over outer tub flange. Place your fingers under the flap of the hold-down tab of the tub cover and pull out on flap and at the same time lift upward on cover to unsnap hold-down tabs from outer tub flange. One by one, disengage each of the eight hold-down tabs from outer tub flange and remove cover.

IMPORTANT: When installing outer tub cover, always use a new cover gasket.

NOTE: Clean and remove any foreign material in gasket groove of outer tub cover and outer tub flange.

- g. Starting at positioning pin located at the bleach funnel area, lay gasket into gasket groove of tub cover. See Figure 5-26.
- h. Using your fingers, press gasket down into gasket groove of tub cover. Avoid pressing gasket past ends of hold-down tabs.

IMPORTANT: Care must be taken not to twist or bunch gasket in any one area to avoid leaks after assembly.

- i. Install gasket past ends of hold-down tabs to bottom of gasket groove using semi-circled end of tool Part No. 273P4. See Figure 5-26.

NOTE: Tub cover gasket tool, Part No. 273P4, is designed to spread open hold-down tabs to prevent tearing of gasket during installation.

- j. With tub cover tilted at approximately a 45 degree angle, insert the positioning pin into notch on outer tub flange.
- k. Lower cover and push down firmly on top of hold-down tabs next to positioning pin until tabs snap over edge of outer tub flange.
- l. Cross over to opposite side of tub cover and push down firmly on top of hold-down tabs until tabs snap over edge of outer tub flange. Continue with this criss-cross pattern, until tub cover is fully seated. Visually check each tab area again to ensure cover is seated.

(continued)

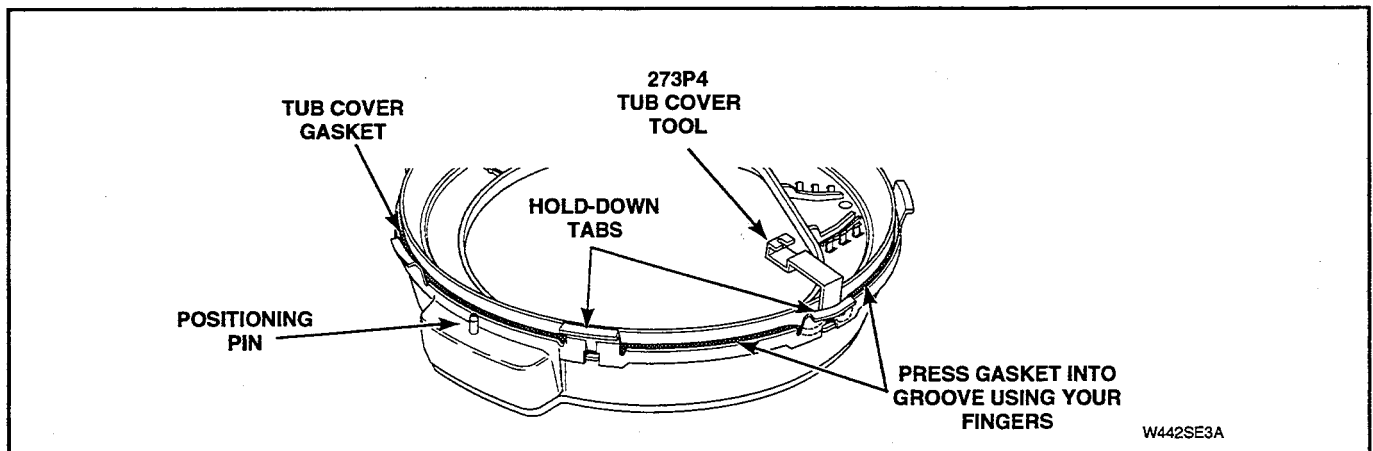


Figure 5-26

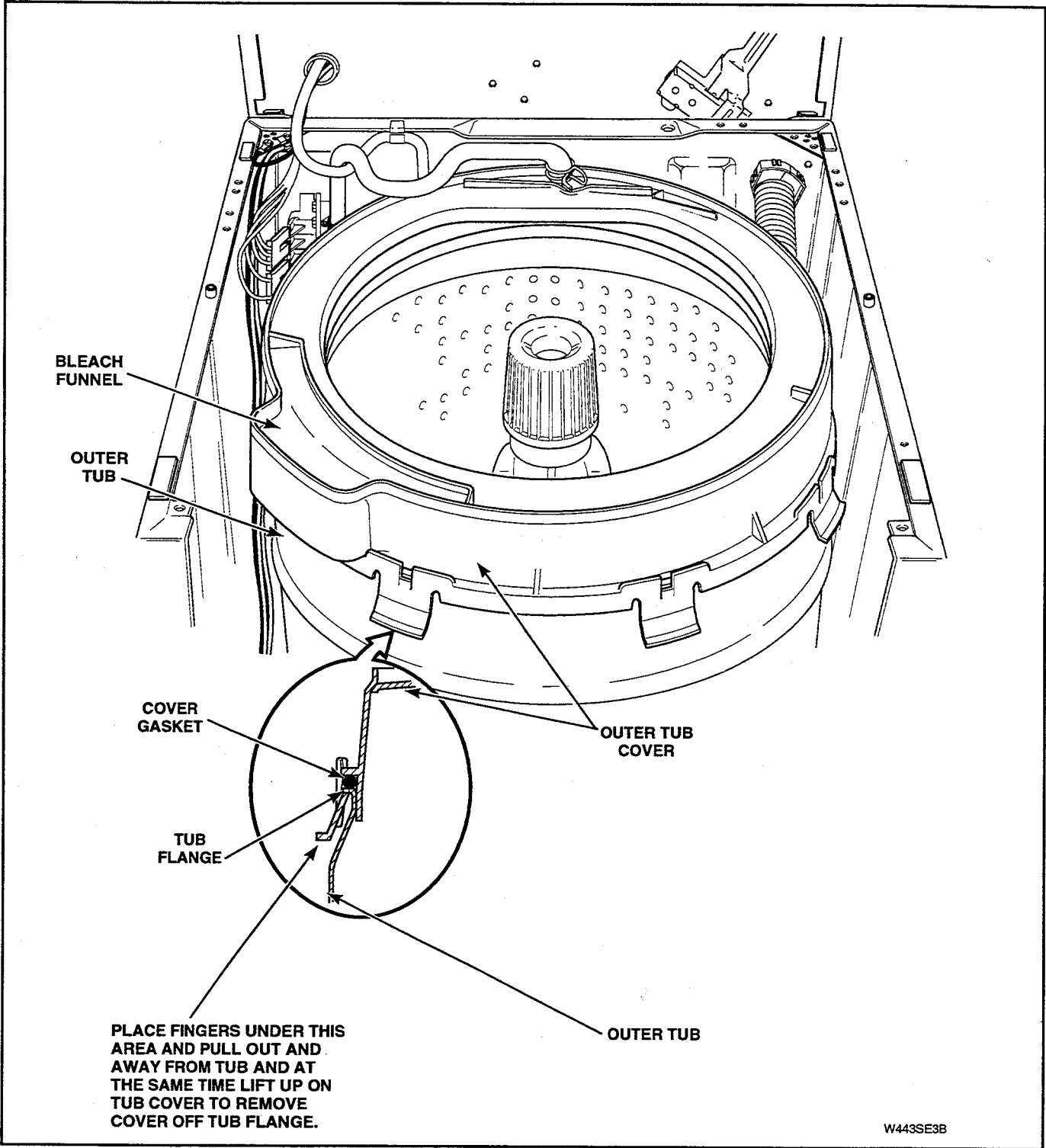


Figure 5-27



WARNING

To reduce the risk of electric shock, fire, explosion, serious injury or death:

- Disconnect electric power to the washer before servicing.
- Never start the washer with any guards/panels removed.
- Whenever ground wires are removed during servicing, these ground wires must be reconnected to ensure that the washer is properly grounded.

W003

m. Remove screws and washers holding washtub to hub. See Figure 5-28.

IMPORTANT: Porcelain Washtub Models — Use care when tightening screws to avoid chipping porcelain on washtub.

n. Lift washtub and balance ring out of outer tub.

IMPORTANT: When removing washtub and balance ring, DO NOT lift up on balance ring as you could damage it. Grasp top flange of washtub and remove from outer tub.

NOTE: When installing washtub, make sure lint filter is between underside of washtub and hub. Some models are equipped with a gasket. On these models, make sure all traces of old gasket are removed from bottom of washtub. When installing washtub in these models, always use a new gasket between washtub and hub.

TO REMOVE BALANCE RING FROM WASHTUB

- Place blade of a small screwdriver into slots between balance ring and washtub. See Figure 5-28.
- Carefully pry pins of balance ring out of holes in washtub. See Figure 5-28.

NOTE: As you are prying out pins, lift up on balance ring.

- Pry pins out of washtub holes approximately half way around tub before balance ring can be removed.

TO INSTALL BALANCE RING IN WASHTUB

Place balance ring on top of washtub, making sure balance ring pins line up with holes in washtub. Then carefully push balance ring down into washtub until all pins snap into their respective holes.

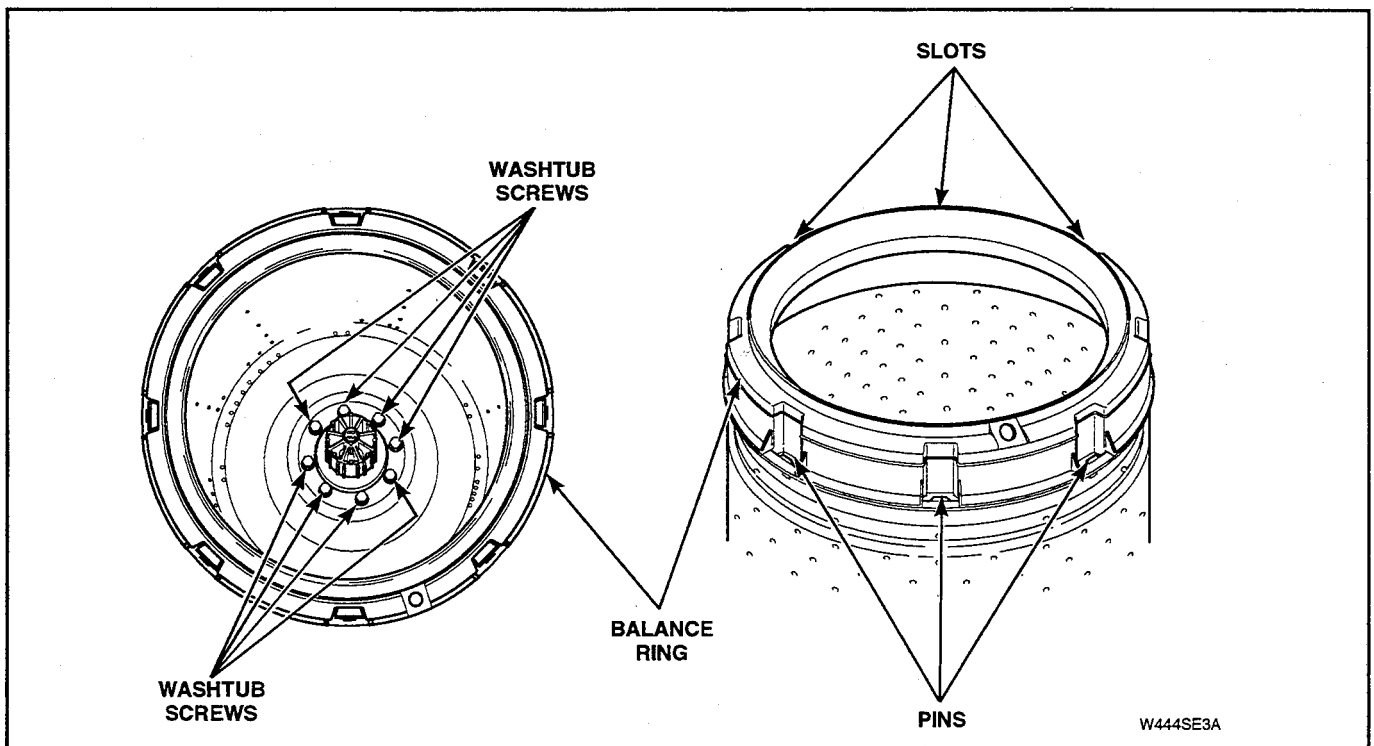


Figure 5-28



WARNING

To reduce the risk of electric shock, fire, explosion, serious injury or death:

- Disconnect electric power to the washer before servicing.
- Never start the washer with any guards/panels removed.
- Whenever ground wires are removed during servicing, these ground wires must be reconnected to ensure that the washer is properly grounded.

W003

18. HUB AND SEAL KIT ASSEMBLY

IMPORTANT: If water is present in washtub, spin and pump out before removing drive bell.

NOTE: Screws located at bottom edge of front panel do not have to be removed as the holes in front panel are slotted.

NOTE: Top edge of front panel is held in place by two spring clips located on bottom flange of cabinet top. See Figure 5-16.

- Insert putty knife between cabinet top and top edge of front panel (approximately three inches in from side). See Figure 5-16.
- Push in on putty knife and at the same time pull top edge of front panel away from front of washer. Repeat for opposite side.
- Lift front panel off two screws and set panel aside.
- Open loading door.
- Remove agitator by placing two agitator hooks, No. 254P4P, under bottom edge of agitator. See Figure 5-8.

IMPORTANT: Hooks should be positioned 180 degrees from each other, and must be placed under agitator vanes for greater stability. If hooks are placed between vane area, damage to agitator may occur.

- Using a rocking motion (back and forth) carefully lift agitator off drive bell.
- Hinge cabinet top or remove, paragraph 14.
- Loosen hose clamp and remove filler hose from outer tub cover. See Figure 5-25.

NOTE: When reinstalling filler hose, white line on hose must be aligned with line located on top side of outer tub cover. See Figure 5-25.

TUB COVER AND GASKET

- There are eight tub cover hold-down tabs which snap over the outer tub flange. Place your fingers under the flap of the hold-down tab of the tub cover. Pull out on flap and at the same time lift upward on cover to unsnap hold-down tabs from outer tub flange. One by one, disengage each of the eight hold-down tabs from outer tub flange and remove cover.
- Lift cover off outer tub and set beside washer cabinet.

IMPORTANT: When installing outer tub cover, always use a new cover gasket.

NOTE: Clean and remove any foreign material in gasket groove of outer tub cover and outer tub flange.

- Starting at the positioning pin located at the bleach funnel area, lay gasket into gasket groove of tub cover. See Figure 5-26.
- Using your fingers, press gasket down into gasket groove of tub cover. Avoid pressing gasket past ends of hold-down tabs.

IMPORTANT: Care must be taken not to twist or bunch gasket in any one area to avoid leaks after assembly.

- Install gasket past ends of hold-down tabs to bottom of gasket groove using semi-curved end of tub cover gasket tool Part No. 273P4. See Figure 5-26.

NOTE: Tub cover gasket tool, Part No. 273P4, is designed to spread open hold-down tabs to prevent tearing of gasket during installation.



WARNING

To reduce the risk of electric shock, fire, explosion, serious injury or death:

- Disconnect electric power to the washer before servicing.
- Never start the washer with any guards/panels removed.
- Whenever ground wires are removed during servicing, these ground wires must be reconnected to ensure that the washer is properly grounded.

W003

6. With tub cover tilted at approximately 45 degree angle, insert the positioning pin into notch on outer tub flange.
 7. Lower cover and push down firmly on top of hold-down tabs next to positioning pin until tabs snap over edge of outer tub flange.
 8. Cross over to opposite side of tub cover and push down firmly on top of hold-down tabs until tabs snap over edge of outer tub flange. Continue with this criss-cross pattern, until tub cover is fully seated. Visually check each tab area again to ensure cover is seated.
- i. Remove screws holding washtub to hub. See Figure 5-28. Then lift washtub out of outer tub.

IMPORTANT: When removing washtub, DO NOT lift up on balance ring as you could damage it. Grasp top flange of washtub and remove from outer tub.

NOTE: When installing washtub, make sure lint filter is between underside of washtub and hub.

TO REMOVE AGITATOR DRIVE BELL

- a. Remove plug, screw and "O" ring from top side of drive bell.

NOTE: No 294P4 Drive Bell Tool may be required to remove drive bell from transmission shaft, if not, proceed to step i.

- b. Back bolt out of tool approximately three quarters of the way. See Figure 5-9.
- c. Place tool over bell, making sure indent on jaw lines up with the wide slots on bell. See Figure 5-9.
- d. Screw bolt down through hole in top of bell until bolt bottoms out in hole in transmission shaft.
- e. Place lip of each jaw under bottom edge of drive bell, making sure indent on jaw lines up with wide slots on bell. Then tighten two wing nuts to hold jaws firmly against drive bell. See Figure 5-10.
- f. Use an adjustable wrench and turn large nut on tool **COUNTERCLOCKWISE** to pull drive bell from transmission shaft. See Figure 5-11.

IMPORTANT: If large nut is turned clockwise when pulling drive bell, you will twist off quarter inch bolt.

- g. Turn quarter inch bolt out of transmission shaft, and remove tool and drive bell from washer.
- h. Loosen two wing nuts and remove drive bell from tool.
- i. Remove old seal from hub by placing a flat blade screwdriver between bottom edge of seal and hub using washtub bolts as a pry area to pop off lower seal bead. Then grasp seal and pull straight up freeing the upper seal bead.
- j. Remove large hex nut using a No. 306P4 Hex Wrench. See Figure 5-29.
- k. Remove spline insert from transmission tube.

IMPORTANT: Use a new spline insert each time hex nut is removed. DO NOT reuse old insert because hex nut may loosen during washer operation.

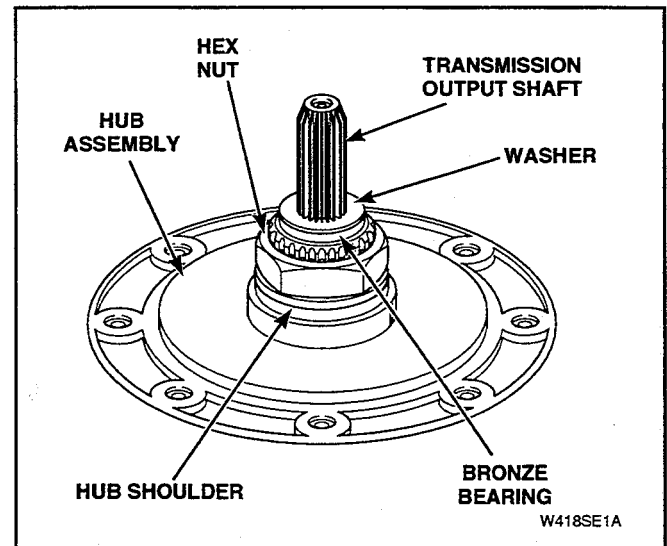


Figure 5-29

1. Remove hub from splines on transmission tube.

NOTE: It may be necessary to use a gear puller to remove hub.

- m. Remove old water seal from outer tub.

IMPORTANT: Use care when removing old seal so as not to damage tub flange or porcelain.



WARNING

To reduce the risk of electric shock, fire, explosion, serious injury or death:

- Disconnect electric power to the washer before servicing.
- Never start the washer with any guards/panels removed.
- Whenever ground wires are removed during servicing, these ground wires must be reconnected to ensure that the washer is properly grounded.

W003

INSTALLING NO. 646P3 HUB AND SEAL KIT

- Thoroughly clean all foreign material from inner surface of outer tub flange.

IMPORTANT: All foreign material must be removed from inner surface of outer tub flange before installing No. 646P3 Hub and Seal Kit.

- Apply a small amount of No. 27615P Sealant (3M800) (obtain from local Parts Distributor) around outer surface of tub flange. See Figure 5-30.
- Apply a light film of nonstaining petroleum jelly (such as Vaseline®) to bronze portion of water seal and to outer surface of stainless steel sleeve. See Figure 5-31.

IMPORTANT: DO NOT over lubricate!

- Insert stainless steel sleeve into water seal from bottom of water seal. See Figure 5-31, until stainless steel sleeve is flush with bronze portion of water seal.
- Leaving garter spring on water seal, place new water seal over outer tub flange (with seal lip on outside of tub flange). Then press seal into tub flange opening using moderate finger pressure.
- Carefully apply a small amount of No. 27615P Sealant (3M800) (obtain from local Parts Distributor) around outer edge of water seal and tub (area located just below garter spring). See Figure 5-31.

IMPORTANT: DO NOT allow sealant to contact sealing surface of water seal because it will cause a water leak.

- Lubricate inner splines of new hub assembly (supplied in kit) with No. 27604P Anti-Seize Compound.
- Carefully place new hub assembly on splined transmission tube.

IMPORTANT: Firmly push hub assembly down against outer tub seal and hold in this position during the next three steps.

- While holding down hub assembly, place new spline insert (with fingers pointing upward) over transmission tube until it bottoms out on hub assembly.

- Place large hex nut over transmission tube (with larger inside bevel toward spline insert) then finger tighten large hex nut.
- Torque large hex nut between 40 to 70 foot-pounds (5.56 to 13.21 Kgm).

NOTE: If torque wrench is not available, place No. 306P4 Hex Wrench over large hex nut then tap hex wrench with a hammer until hub assembly turns or until large hex nut will no longer tighten.

NOTE: If a lint filter was originally installed between washtub and hub assembly, then it must be reinstalled before installing washtub in washer. Proceed to step m.

NOTE: If a gasket was originally installed between washtub and hub assembly, then No. 39122 Gasket (supplied in kit) must be installed before installing washtub in washer. Proceed to step l.

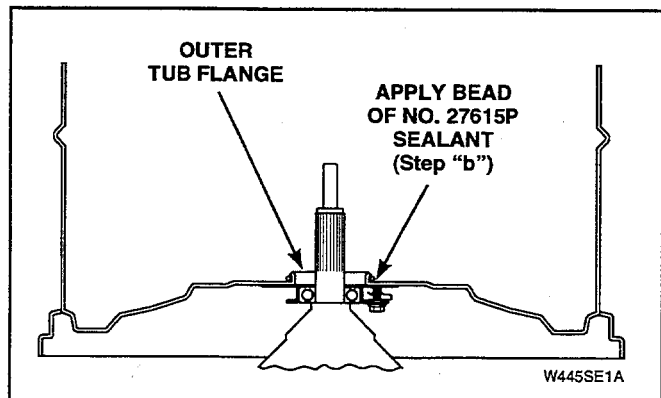


Figure 5-30

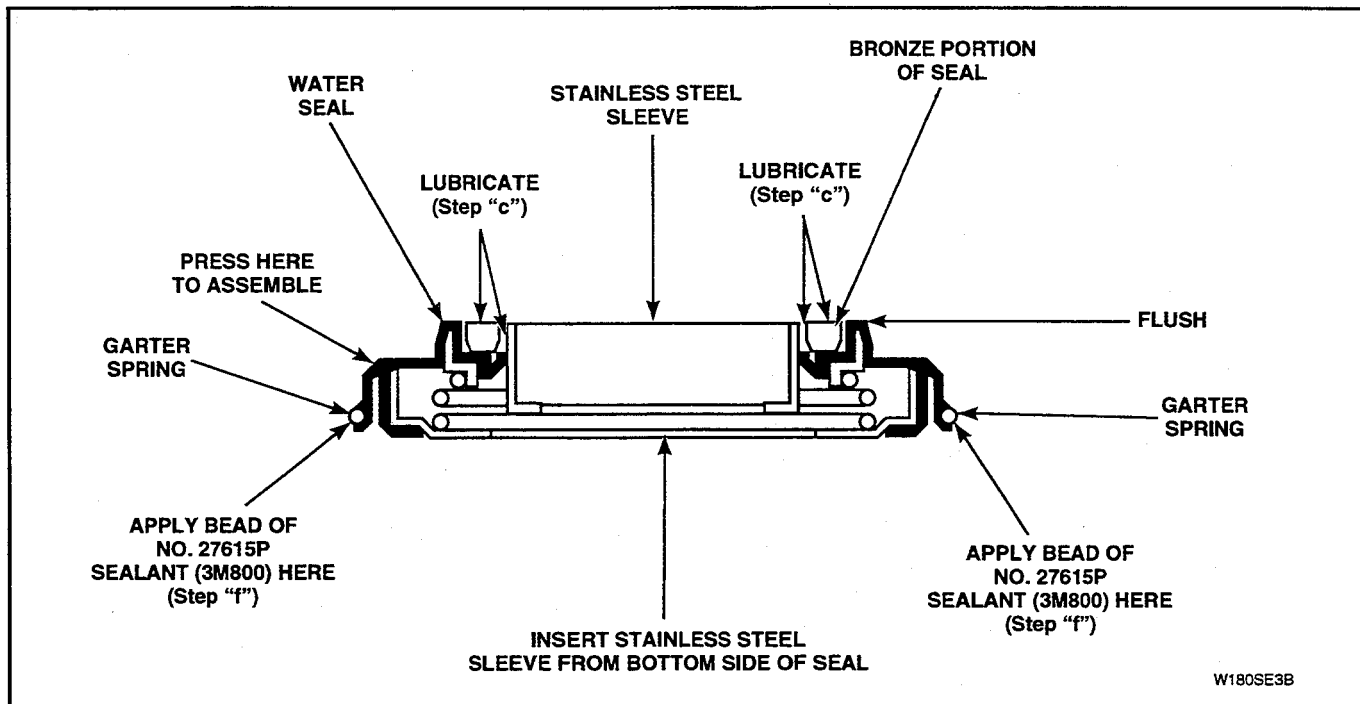


WARNING

To reduce the risk of electric shock, fire, explosion, serious injury or death:

- Disconnect electric power to the washer before servicing.
- Never start the washer with any guards/panels removed.
- Whenever ground wires are removed during servicing, these ground wires must be reconnected to ensure that the washer is properly grounded.

W003



W180SE3B

Figure 5-31

1. To install No. 39122 Gasket, follow these steps:
 1. Thoroughly clean all foreign material from seal surface area of hub and bronze bearing.
 2. Apply a small amount of nonstaining petroleum jelly (such as Vaseline®) to both surfaces where gasket will contact hub assembly and bottom of washtub.
 3. Carefully place No. 39122 Gasket (supplied in kit) on hub assembly.

NOTE: Ensure holes in gasket are aligned with holes in hub assembly and all traces of original washtub gasket are removed from bottom of washtub.

- m. Grasp top flange of washtub and carefully lower washtub down onto lint filter (or gasket) and hub assembly.

IMPORTANT: Before setting washtub into place, make sure holes in hub assembly are aligned with holes in lint filter (or gasket).

- n. Secure washtub to hub assembly, using cap screws and gaskets from 27202P Screw and Gasket Kit (supplied in kit).

IMPORTANT: Porcelain Washtub Models — Use care when tightening cap screws to avoid chipping or damaging porcelain finish.

- o. Install No. 38359 Outer Tub Cover Gasket (supplied in kit) into outer tub cover, paragraph 17.

IMPORTANT: When installing outer tub cover always use a new outer tub cover gasket.

- p. Reassemble washtub, paragraph 17.
- q. Install seal, drive bell and agitator following the instructions supplied in No. 36443P Drive Bell and Seal Kit.
- r. Reinstall cabinet top and front panel.
- s. Close loading door, set washer timer to final spin, start washer and allow empty washtub to spin for 30 to 60 seconds.

IMPORTANT: Setting washer to spin allows petroleum jelly (applied to bronze portion of water seal) a chance to cover seal surface before water is added to washer.



WARNING

To reduce the risk of electric shock, fire, explosion, serious injury or death:

- Disconnect electric power to the washer before servicing.
- Never start the washer with any guards/panels removed.
- Whenever ground wires are removed during servicing, these ground wires must be reconnected to ensure that the washer is properly grounded.

W003

TUB COVER AND GASKET

NOTE: When installing outer tub cover, always use a new cover gasket.

NOTE: Clean and remove any foreign material in gasket groove of outer tub cover and outer tub flange.

- a. Starting at the positioning pin located at the bleach funnel area, lay gasket into gasket groove of tub cover. See Figure 5-26.
- b. Using your fingers, press gasket down into gasket groove of tub cover. Avoid pressing gasket past ends of hold-down tabs.

IMPORTANT: Care must be taken not to twist or bunch gasket in any one area to avoid leaks after assembly.

- c. Install gasket past ends of hold-down tabs to bottom of gasket groove using semi-curved end gasket tool Part No. 273P4. See Figure 5-26.

NOTE: Tub cover gasket tool, Part No. 273P4, is designed to spread open hold-down tabs to prevent tearing of gasket during installation.

- d. With tub cover tilted at approximately 45 degree angle, insert positioning pin into notch on outer tub flange.
- e. Lower cover and push down firmly on top of hold-down tabs next to positioning pin until tabs snap over edge of outer tub flange.

- f. Cross over to opposite side of tub cover and push down firmly on top of hold-down tabs until tabs snap over edge of outer tub flange. Continue with this criss-cross pattern, until tub cover is fully seated. Visually check each tab area again to ensure cover is seated.
- g. Reinstall filler hose on outer tub cover.

NOTE: When reinstalling filler hose, the white line on hose that connects to tub cover must be aligned with line located on top side of outer tub cover. See Figure 5-25.

- h. Place agitator on top of drive bell. Slowly rotate agitator until fingers on underside of agitator line up with large slots on drive bell.
- i. A sharp blow on top of agitator, with palm of your hand, will force agitator down onto drive bell, allowing fingers on underside of agitator to lock under bottom edge of drive bell.

NOTE: Do not push agitator onto drive bell any further than necessary.

- j. Reinstall cabinet top and secure to washer cabinet using screws previously removed.
- k. Reinstall front panel.



WARNING

To reduce the risk of electric shock, fire, explosion, serious injury or death:

- Disconnect electric power to the washer before servicing.
- Never start the washer with any guards/panels removed.
- Whenever ground wires are removed during servicing, these ground wires must be reconnected to ensure that the washer is properly grounded.

W003

19. OUTER TUB

- a. Open loading door.
- b. Remove agitator by placing two agitator hooks, No. 254P4P, under bottom edge of agitator. See Figure 5-8.

IMPORTANT: Hooks should be positioned 180 degrees from each other, and must be placed under agitator vane for greater stability. If hooks are placed between vane area, agitator damage may occur.

- c. Using a rocking motion (back and forth) carefully lift agitator off drive bell.

NOTE: Screws located at bottom of front panel do not have to be removed as the holes in front panel are slotted.

NOTE: Top edge of front panel is held in place by two spring clips located on bottom flange of cabinet top. See Figure 5-16.

- d. Insert putty knife between cabinet top and top edge of front panel (approximately three inches from side). See Figure 5-16.
- e. Push in on putty knife and at the same time pull top edge of front panel away from front of washer. Repeat for opposite side.
- f. Lift front panel off two screws and set panel aside.
- g. Hinge cabinet top or remove, paragraph 14.
- h. Loosen hose clamp, and disconnect filler hose from outer tub cover. See Figure 5-25.

NOTE: When reinstalling filler hose, the white line on hose that connects to tub cover must be aligned with line located on top side of outer tub cover. See Figure 5-25.

- i. Remove screws and washers holding washtub to hub. See Figure 5-28.

TUB COVER AND GASKET

1. There are eight tub cover hold-down tabs which snap over the outer tub flange. Place your fingers under the flaps of the hold-down tab of the tub cover. Pull out on the flap and at the same time lift upward on cover to unsnap hold-down tabs from outer tub flange. One by one, disengage each of the eight hold-down tabs from outer tub flange and remove cover.
2. Remove cover from outer tub and remove old gasket from tub cover.

NOTE: When installing outer tub cover, always use a new cover gasket.

NOTE: Clean and remove any foreign material in gasket groove of outer tub cover and outer tub flange.

3. Starting at positioning pin located at the bleach funnel area, lay gasket into gasket groove of tub cover. See Figure 5-26.
4. Using your fingers, press gasket down into gasket groove of tub cover. Avoid pressing gasket past ends of hold-down tabs.

IMPORTANT: Care must be taken not to twist or bunch gasket in any one area to avoid leaks after assembly.

5. Install gasket past ends of hold-down tabs to bottom of gasket groove using semi-curved end of tub cover gasket tool Part No. 273P4.

NOTE: Tub cover gasket tool, Part No. 273P4, is designed to spread open hold-down tabs to prevent tearing of gasket during installation.

6. With tub cover tilted at approximately a 45 degree angle, insert the positioning pin into notch on outer tub flange.
7. Lower cover and push down firmly on top of hold-down tabs next to positioning pin until tabs snap over edge of outer tub flange.
8. Cross over to opposite side of tub cover and push down firmly on top of hold-down tabs until tabs snap over edge of outer tub flange. Continue with this criss-cross pattern, until tub cover is fully seated. Visually check each tab area again to ensure cover is seated. See Figure 5-27.



WARNING

To reduce the risk of electric shock, fire, explosion, serious injury or death:

- Disconnect electric power to the washer before servicing.
- Never start the washer with any guards/panels removed.
- Whenever ground wires are removed during servicing, these ground wires must be reconnected to ensure that the washer is properly grounded.

W003

- i. Remove screws and washers holding washtub to hub. See Figure 5-28.

IMPORTANT: Porcelain Washtub Models — Use care when tightening cap screws to avoid chipping porcelain on washtub.

- j. Lift washtub (with balance ring attached) out of outer tub.

IMPORTANT: When removing washtub and balance ring, DO NOT lift up on balance ring as you could damage it. Grasp top flange of washtub and remove from outer tub.

- k. Remove agitator drive bell, paragraph 8.
- l. Remove large hex nut using No. 306P4 Hex Wrench. Then remove spline insert from transmission tube.

IMPORTANT: Use a new spline insert each time the hex nut is removed. DO NOT reuse the old insert as hex nut may loosen during the washer operation.

- m. Remove hub from splines on transmission tube.

NOTE: It may be necessary to use a gear puller to remove hub.

- n. Remove old water seal from outer tub.

IMPORTANT: Use care when removing old seal so as not to damage tub flange or porcelain.

NOTE: When reinstalling or replacing outer tub, always install a new No. 646P3 Hub and Seal Kit, paragraph 18.

- o. Reach in through front of motor mounting bracket and move idler lever to left to release tension on belt.

IMPORTANT: Use care when releasing idler lever tension. If idler lever spring is overstretched, washer operation will be affected.

- p. While holding idler lever, reach in and around right side of motor and run belt off right side of pulley.

IMPORTANT: When removing or reinstalling complete tub module into washer (with balance ring, transmission, and weldment assembly attached), damage could occur to idler lever if idler spring is left hooked to motor mounting bracket.

With idler spring hooked to motor mounting bracket, idler lever extends out through rear of bracket. When removing or reinstalling complete tub module assembly, idler lever is in the way and can be damaged (bent), or idler pulley could be chipped. A bent idler lever will cause misalignment of idler pulley with drive belt, and a chipped idler pulley will damage belt.

We recommend that before removing or reinstalling the complete tub module assembly, you unhook idler spring and move idler lever out of the way. This will prevent the possibility of idler lever or pulley damage.

- q. Using No. 289P4 Spring Hook Tool, unhook six module springs from lower edge of outer tub. See Figure 5-32.

IMPORTANT: When installing module springs, make sure spring hook is fully seated in hole in tub skirt. Mark the word "FRONT" on front side of outer tub so complete tub module can be reinstalled in same position.



WARNING

To reduce the risk of electric shock, fire, explosion, serious injury or death:

- Disconnect electric power to the washer before servicing.
- Never start the washer with any guards/panels removed.
- Whenever ground wires are removed during servicing, these ground wires must be reconnected to ensure that the washer is properly grounded.

W003

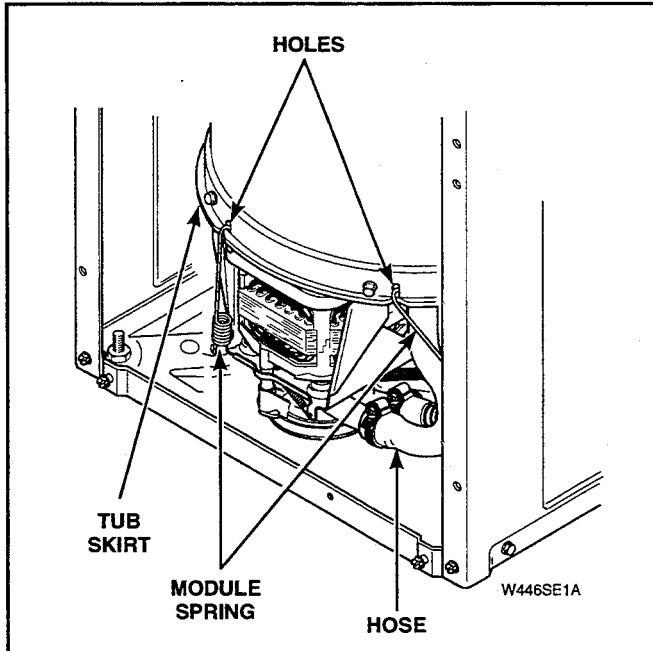


Figure 5-32

NOTE: To prevent porcelain damage, leg plates must be installed on outside of outer tub flange when reinstalling support legs of weldment assembly. Do not overtighten screws as this could cause stripping or porcelain damage. Torque screws between 90 to 130 inch-pounds (10.30 to 14.87 N-M).

w. Turn outer tub upright and remove pressure bulb and grommet.

NOTE: When installing grommet into outer tub, thicker lip of grommet must be installed to outside of tub. Lubricate outer surface of large opening of pressure bulb with liquid soap to aid when assembling pressure bulb into grommet.

- r. Loosen hose clamp and remove hose from bottom of outer tub.
- s. Loosen hose clamp and remove pressure hose from pressure bulb.
- t. Grasp outer tub and lift complete tub module assembly straight up and out of washer cabinet.
- u. Turn outer tub upside-down and set on protective padding.
- v. Remove screws and lockwashers holding counterweight and each support leg to outer tub. See Figure 5-33. Then lift transmission, weldment assembly and counterweight off tub.



WARNING

To reduce the risk of electric shock, fire, explosion, serious injury or death:

- Disconnect electric power to the washer before servicing.
- Never start the washer with any guards/panels removed.
- Whenever ground wires are removed during servicing, these ground wires must be reconnected to ensure that the washer is properly grounded.

W003

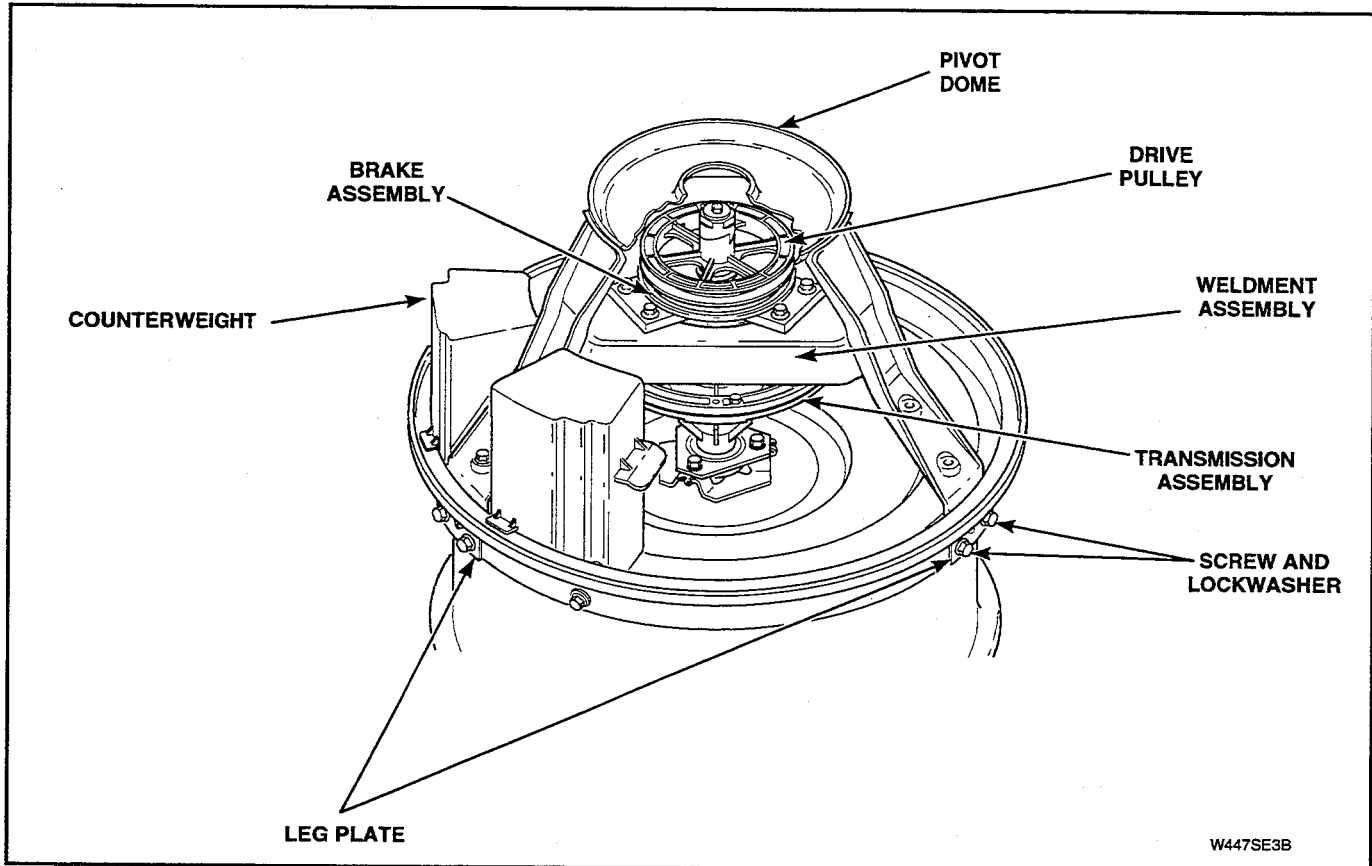


Figure 5-33

20. DRIVE PULLEY, HELIX AND BRAKE

NOTE: Screws at bottom edge of front panel do not have to be removed as the holes in the front panel are slotted.

NOTE: Top edge of front panel is held in place by two spring clips located on bottom flange of cabinet top. See Figure 5-16.

- Insert putty knife between cabinet top and top edge of front panel (approximately three inches in from side).
- Push in on putty knife and at the same time pull top edge of front panel away from front of washer. Repeat for opposite side.
- Lift front panel off the two screws and set panel aside.
- Hinge cabinet top or remove, paragraph 14.

- Loosen hose clamp and disconnect filler hose from outer tub cover. See Figure 5-25.

NOTE: When reinstalling filler hose, the white line on hose that connects to tub cover must be aligned with line located on top side of outer tub cover. See Figure 5-25.

- Reach in through front of motor mounting bracket and move idler lever to left to release tension on belt.

We recommend that before removing or reinstalling the complete tub module assembly, you unhook idler spring and move idler lever out of the way. This will prevent the possibility of idler lever or pulley damage.

IMPORTANT: Use care when releasing idler lever tension. If idler lever spring is overstretched, washer operation will be affected.



WARNING

To reduce the risk of electric shock, fire, explosion, serious injury or death:

- Disconnect electric power to the washer before servicing.
- Never start the washer with any guards/panels removed.
- Whenever ground wires are removed during servicing, these ground wires must be reconnected to ensure that the washer is properly grounded.

W003

- g. While holding idler lever, reach in and around right side of motor and run belt off right side of pulley.

IMPORTANT: When removing or reinstalling complete tub module into washer (with transmission, and weldment assembly attached), damage could occur to idler lever idler spring if left hooked to motor mounting bracket.

With idler spring hooked to motor mounting bracket, idler lever extends out through rear of bracket. When removing or reinstalling complete tub assembly, idler lever is in the way and can be damaged (bent), or idler pulley could be chipped. A bent idler lever will cause misalignment of idler pulley with drive belt, and a chipped idler pulley will damage belt.

- h. Using No. 289P4 Spring Hook Tool, unhook six module springs from lower edge of outer tub. See Figure 5-32.

IMPORTANT: When installing module springs, make sure spring hook is fully seated in hole in tub skirt. Mark the word "FRONT" on the front side of the outer tub so complete tub module can be reinstalled in the same position.

- i. Loosen hose clamp and remove hose from bottom of outer tub.
- j. Loosen hose clamp and remove pressure hose from pressure bulb.

- k. Grasp outer tub and lift complete tub module assembly (with transmission and weldment assembly attached) straight up and out of washer cabinet.
- l. Turn complete tub module upside-down and set on protective padding.
- m. Remove screw, washer and helix holding drive pulley to input shaft and transmission assembly. See Figure 5-34.

IMPORTANT: On tall tub models, the weldment assembly must be removed or loosened and raised enough to get pulley off and on the input shaft.

- n. Lift drive pulley up and off input shaft of transmission assembly.

NOTE: When reinstalling pulley, place a small amount of No. 03200P Lubricant on top side of the drive pulley that will be contacting large flat washers. See Figure 5-34 for assembly sequence. Lubricate helix ramps and bore with a small amount of No. 03200P Lubricant. See Figure 5-35.

IMPORTANT: DO NOT OVER LUBRICATE! Excess lubricant can be thrown into pivot dome area during normal washer operation. Any lubricant on pivot dome, hose or friction ring will affect washer operation. This condition will persist until lubricant is removed.

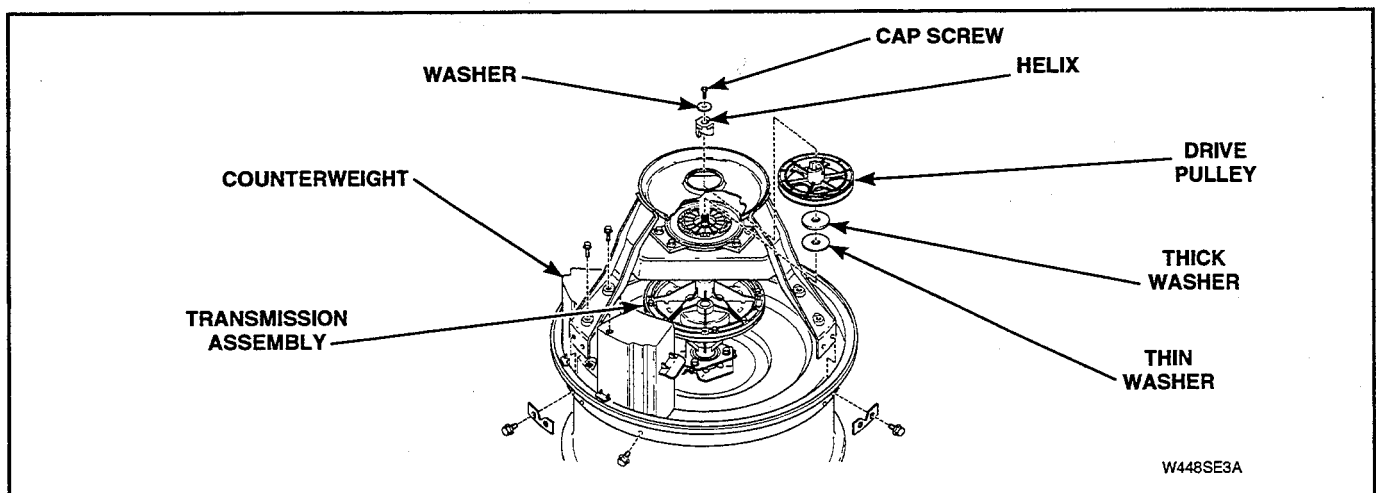


Figure 5-34

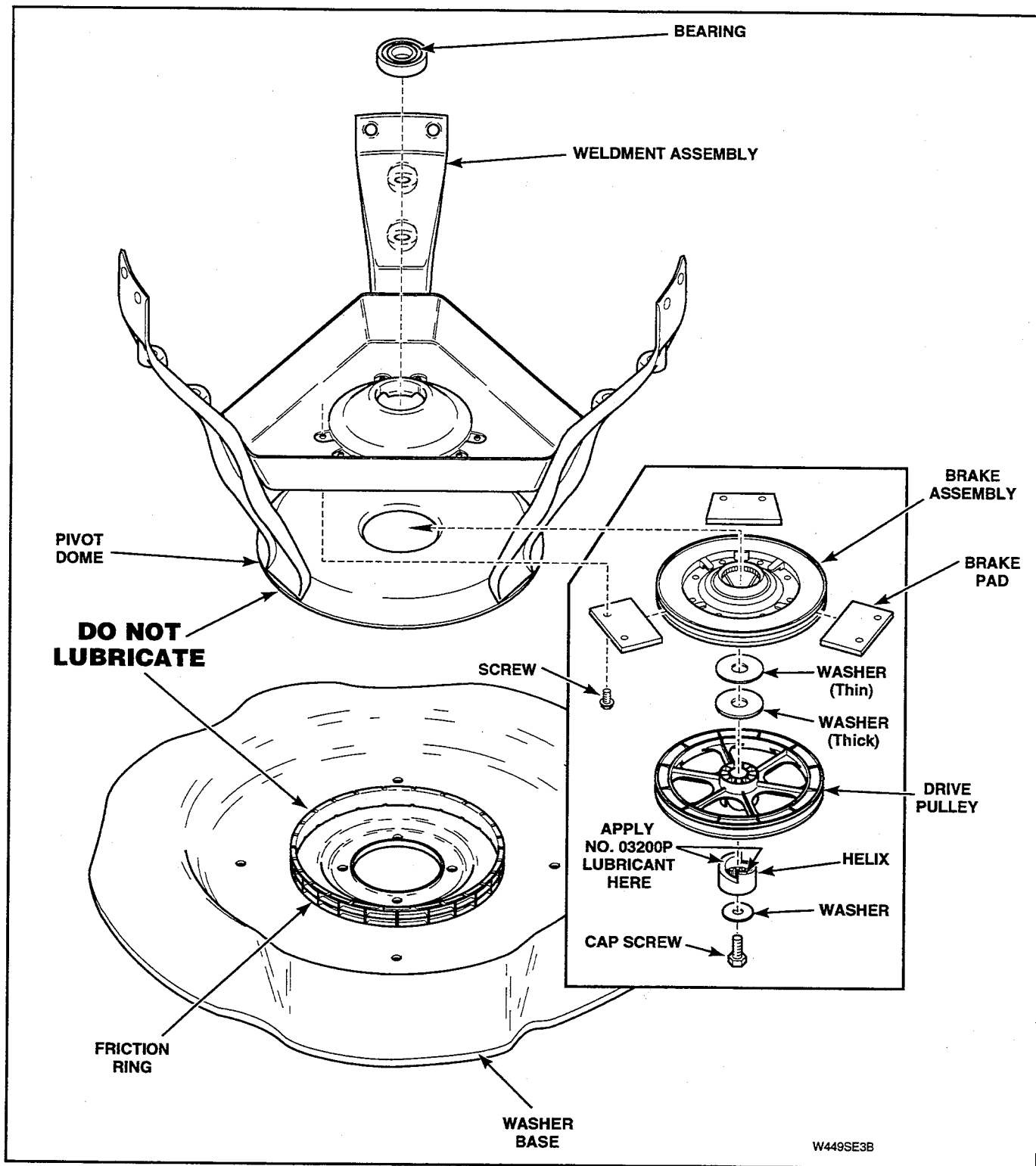


Figure 5-35



WARNING

To reduce the risk of electric shock, fire, explosion, serious injury or death:

- Disconnect electric power to the washer before servicing.
- Never start the washer with any guards/panels removed.
- Whenever ground wires are removed during servicing, these ground wires must be reconnected to ensure that the washer is properly grounded.

W003

- o. Remove screws holding three brake pads and brake assembly to weldment assembly. See Figure 5-35. Then remove brake assembly and pads off bottom of weldment assembly.

IMPORTANT: When reinstalling brake assembly, we recommend replacing three brake pads. **DO NOT** replace worn pads only. Apply a small amount of No. 26594P Silicone Lubricant to both sides of each brake pad where it will contact brake assembly.

IMPORTANT: DO NOT OVER LUBRICATE! Excess lubricant can be thrown into pivot dome area during normal washer operation. Any lubricant on pivot dome, base or friction ring will affect washer operation. This condition will persist until lubricant is removed.

NOTE: Refer to Figure 5-35 for assembly sequence.

- p. After brake is installed, put washer through the following check to make sure brake is operating properly.
 1. Turn off electrical power to washer.
 2. Turn drive pulley one complete revolution in agitation directly, then push drive pulley up against brake.
 3. Check for a .030 (.76 mm) minimum gap between drive pulley and helix ramp surfaces.

IMPORTANT: If gap is less than .030 (.76 mm), brake may not stop washtub from spinning in required seven seconds because brake will not close properly.

4. Turn on electrical power to washer and start washer in the final spin.

IMPORTANT: After installing complete tub module in washer and all hoses have been reconnected, add at least a quart of water to washtub to lubricate pump seals. Running a pump without water will ruin the seals.

NOTE: After washtub has been spinning for two minutes, normal spin speed should be 640 ± 20 RPM one speed models; 640 ± 20 RPM **FAST** speed, or 390 ± 20 RPM **SLOW** speed on two speed models. If not, the cause could be dragging brake pads. If problems occur with steps three or four, remove brake assembly and correct problem.



WARNING

To reduce the risk of electric shock, fire, explosion, serious injury or death:

- Disconnect electric power to the washer before servicing.
- Never start the washer with any guards/panels removed.
- Whenever ground wires are removed during servicing, these ground wires must be reconnected to ensure that the washer is properly grounded.

W003

21. WELDMENT AND BEARING ASSEMBLY

NOTE: Screws at bottom edge of front panel do not have to be removed as the holes in the front panel are slotted.

NOTE: Top edge of front panel is held in place by two spring clips located on bottom flange of cabinet top. See Figure 5-16.

- Insert putty knife between cabinet top and top edge of front panel (approximately three inches in from side).
- Push in on putty knife and at the same time pull top edge of front panel away from front of washer. Repeat for opposite side.
- Lift front panel off the two screws. See Figure 5-16, and set panel aside.
- Hinge cabinet top or remove, paragraph 14.
- Loosen hose clamp and disconnect filler hose from outer tub cover. See Figure 5-25.

NOTE: When reinstalling filler hose, the white line on hose that connects to tub cover must be aligned with line located on top side of outer tub cover. See Figure 5-25.

- Reach in through front of motor mounting bracket and move idler lever to left to release tension on belt.

We recommend that before removing or reinstalling the complete tub module assembly, you unhook idler spring and move idler lever out of the way. This will prevent the possibility of idler lever or pulley damage.

IMPORTANT: Use care when releasing idler lever tension. If idler lever spring is overstretched, washer operation will be affected.

- While holding idler lever, reach in and around right side of motor and run belt off right side of pulley.

IMPORTANT: When removing or reinstalling complete tub module into washer (with transmission, and weldment assembly attached), damage could occur to idler lever idler spring if left hooked to motor mounting bracket.

With idler spring hooked to motor mounting bracket, idler lever extends out through rear of bracket. When removing or reinstalling complete tub assembly, idler lever is in the way and can be damaged (bent), or idler pulley could be chipped. A bent idler lever will cause misalignment of idler pulley with drive belt, and a chipped idler pulley will damage belt.

- Using No. 289P4 Spring Hook Tool, unhook six module springs from lower edge of outer tub. See Figure 5-32.

IMPORTANT: When installing module springs, make sure spring hook is fully seated in hole in tub skirt. Mark the word "FRONT" on the front side of the outer tub so complete tub module can be reinstalled in the same position.

- Loosen hose clamp and remove hose from bottom of outer tub.
- Loosen hose clamp and remove pressure hose from pressure bulb.
- Grasp outer tub and lift complete tub module assembly (with transmission and weldment assembly attached) straight up and out of washer cabinet.
- Turn complete tub module upside-down and set on protective padding.
- Remove screw, washer and helix holding drive pulley to input shaft and transmission assembly. See Figure 5-34.

IMPORTANT: On tall tub models, the weldment assembly must be removed or loosened and raised enough to get pulley off and on the input shaft.



WARNING

To reduce the risk of electric shock, fire, explosion, serious injury or death:

- Disconnect electric power to the washer before servicing.
- Never start the washer with any guards/panels removed.
- Whenever ground wires are removed during servicing, these ground wires must be reconnected to ensure that the washer is properly grounded.

W003

- n. Lift drive pulley up and off input shaft of transmission assembly.

NOTE: When reinstalling pulley, place a small amount of No. 03200P Lubricant on top side of the drive pulley that will be contacting large flat washers. See Figure 5-34 for assembly sequence. Lubricate helix ramps and bore with a small amount of No. 03200P Lubricant. See Figure 5-35.

IMPORTANT: DO NOT OVER LUBRICATE!

Excess lubricant can be thrown into pivot dome area during normal washer operation. Any lubricant on pivot dome, hose or friction ring will affect washer operation. This condition will persist until lubricant is removed.

- o. Remove screws holding three brake pads and brake assembly to weldment assembly. See Figure 5-35. Then remove brake assembly and pads off bottom of weldment assembly.

IMPORTANT: When reinstalling brake assembly, we recommend replacing three brake pads. **DO NOT** replace worn pads only. Apply a small amount of No. 265494P Silicone Lubricant to both sides of each brake pad where it will contact brake assembly.

IMPORTANT: DO NOT OVER LUBRICATE!

Excess lubricant can be thrown into pivot dome area during normal washer operation. Any lubricant on pivot dome, base or friction ring will offset washer operation. This condition will persist until lubricant is removed.

NOTE: Refer to Figure 5-35 for assembly sequence.

- p. After brake is installed, put washer through the following check to make sure brake is operating properly.
1. Turn off electrical power to washer.
 2. Turn drive pulley one complete revolution in agitation direction, then push drive pulley up against brake.
 3. Check for a .030 (.76 mm) minimum gap between drive pulley and helix ramp surfaces.

IMPORTANT: If gap is less than .030 (.76 mm), brake may not stop washtub from spinning in required seven seconds because brake will not close properly.

4. Turn on electrical power to washer and start washer in the final spin.

IMPORTANT: After installing complete tub module in washer and all hoses have been reconnected, add at least a quart of water to washtub to lubricate pump seals. Running a pump without water will ruin the seals.

NOTE: After washtub has been spinning for two minutes, normal spin speed should be 640 ± 20 RPM one speed models; 640 ± 20 RPM **FAST** speed, or 390 ± 20 RPM **SLOW** speed on two speed models. If not, the cause could be dragging brake pads. If problems occur with steps three or four, remove brake assembly and correct problem.

- q. Remove screws and lockwashers holding counterweight and each support leg to outer tub. See Figure 5-34. Then lift transmission, weldment assembly and counterweight off tub.

NOTE: It may be necessary to tap lightly on the weldment assembly to loosen it from transmission tube.

NOTE: To prevent porcelain damage, leg plates must be installed on outside of outer tub flange when reinstalling support legs of weldment assembly. Do not overtighten screws as this could cause stripping or porcelain damage. Torque screws between 90 to 130 inch-pounds (10.30 to 14.87 N-m).

- r. Remove screws and washers holding counterweight to leg on weldment assembly.



WARNING

To reduce the risk of electric shock, fire, explosion, serious injury or death:

- Disconnect electric power to the washer before servicing.
- Never start the washer with any guards/panels removed.
- Whenever ground wires are removed during servicing, these ground wires must be reconnected to ensure that the washer is properly grounded.

W003

22. TRANSMISSION ASSEMBLY

- a. Open loading door.
- b. Remove agitator by placing two agitator hooks, No. 254P4P, under bottom edge of agitator. See Figure 5-8.

IMPORTANT: Hooks should be positioned 180 degrees from each other, and must be placed under base of agitator near an agitator vane for greater stability. If hooks are placed between vane area, damage to agitator may occur.

- c. Using a rocking motion (back and forth) carefully lift agitator off drive bell.

NOTE: Screws at bottom edge of front panel do not have to be removed as the holes in the front panel are slotted.

NOTE: Top edge of front panel is held in place by two spring clips located on bottom flange of cabinet top. See Figure 5-16.

- d. Insert putty knife between cabinet top and top edge of front panel (approximately three inches in from side).
- e. Push in on putty knife and at the same time pull top edge of front panel away from front of washer. Repeat for opposite side.
- f. Lift front panel off the two screws and set panel aside.
- g. Remove two cabinet top hold-down screws, and hinge cabinet top or remove, paragraph 14.
- h. Loosen hose clamp and disconnect filler hose from outer tub cover. See Figure 5-25.

NOTE: When reinstalling filler hose, the white line or hose that connects to tub cover must be aligned with line located on top side of outer tub cover. See Figure 5-25.

TUB COVER AND GASKET

1. There are eight tub cover hold-down tabs which snap over the outer tub flange. Place your fingers under the flaps of the hold-down tab of the tub cover and pull out on the flap and at the same time lift upward on cover to unsnap hold-down tabs from outer tub flange. One by one, disengage each of the eight hold-down tabs from outer tub flange and remove cover.
2. Remove cover from outer tub and remove old gasket from tub cover.

NOTE: When installing outer tub cover, always use a new cover gasket.

NOTE: Clean and remove any foreign material in gasket groove of outer tub cover and outer tub flange.

3. Starting at positioning pin located at the bleach funnel area, lay gasket into gasket groove of tub cover. See Figure 5-26.
4. Using your fingers, press gasket down into gasket groove of tub cover. Avoid pressing gasket past ends of hold-down tabs.

IMPORTANT: Care must be taken not to twist or bunch gasket in any one area to avoid leaks after assembly.

5. Install gasket past ends of hold-down tabs to bottom of gasket groove using semi-curved end of tub cover gasket tool part No. 273P4.

NOTE: Gasket tool, Part No. 273P4, is designed to spread open hold-down tabs to prevent tearing of gasket during installation.



WARNING

To reduce the risk of electric shock, fire, explosion, serious injury or death:

- Disconnect electric power to the washer before servicing.
- Never start the washer with any guards/panels removed.
- Whenever ground wires are removed during servicing, these ground wires must be reconnected to ensure that the washer is properly grounded.

W003

- i. Remove screws and washers holding washtub to hub. See Figure 5-28.

IMPORTANT: Porcelain Washtub Models — Use care when tightening cap screws to avoid chipping porcelain on washtub.

- j. Lift washtub (with balance ring attached) out of outer tub

IMPORTANT: When removing washtub and balance ring, DO NOT lift up on balance ring as you could damage it. Grasp top flange of washtub and remove from outer tub.

- k. Remove agitator drive bell, paragraph 8.
- l. Remove large hex nut using No. 306P4 Hex Wrench. Then remove spline insert from transmission tube.
- m. Remove hub from splines on transmission tube.

NOTE: It may be necessary to use a gear puller to remove hub.

- n. Remove old water seal from outer tub.

IMPORTANT: Use care when removing old seal so as not to damage tub flange or porcelain.

NOTE: When reinstalling or replacing outer tub, always install a new No. 646P3 Hub and Seal Kit, paragraph 18.

With idler spring hooked to motor mounting bracket, idler lever extends out through rear of bracket. When removing or reinstalling complete tub module assembly, idler lever is in the way and can be damaged (bent), or idler pulley could be chipped. A bent idler lever will cause misalignment of idler pulley with drive belt, and a chipped idler pulley will damage belt.

We recommend that before removing or reinstalling the complete tub module assembly, you unhook idler spring and move idler lever out of the way. This will prevent the possibility of idler lever or pulley damage.

- o. Using No. 289P4 Spring Hook Tool, unhook six module springs from lower edge of outer tub. See Figure 5-34.

IMPORTANT: When installing module springs, make sure spring hook is fully seated in hole in tub skirt. Mark the word "FRONT" on front side of outer tub so complete tub module can be reinstalled in same position.

- p. Loosen hose clamp and remove hose from bottom of outer tub.

IMPORTANT: Some water will always remain in outer tub. Therefore, before removing hose from pump, pinch off or drain hose to prevent water spillage.

- q. Loosen hose clamp and remove pressure hose from pressure bulb.
- r. Grasp outer tub and lift complete tub module assembly straight up and out of washer cabinet.
- s. Turn outer tub upside-down and set on protective padding.
- t. Remove screw, washer and helix holding drive pulley to input shaft of transmission assembly. See Figure 5-34.
- u. Lift drive pulley up and out from between support legs.

NOTE: When reinstalling pulley, place a small amount of No. 03200P Lubricant to top side of drive pulley that will be contacting the large flat washer. Lubricate helix ramps with a small amount of No. 03200P Lubricant. See Figure 5-35.

IMPORTANT: DO NOT OVER LUBRICATE! Excess lubricant can be thrown into pivot dome area during normal washer operation. Any lubricant on pivot dome, base or friction ring will offset washer operation. This condition will persist until lubricant is removed.

- v. Remove screws and lockwashers holding each support leg to outer tub. See Figure 5-35. Then lift brake assembly off transmission tube.

NOTE: It may be necessary to tap light on weldment assembly to loosen it from transmission tube.



WARNING

To reduce the risk of electric shock, fire, explosion, serious injury or death:

- Disconnect electric power to the washer before servicing.
- Never start the washer with any guards/panels removed.
- Whenever ground wires are removed during servicing, these ground wires must be reconnected to ensure that the washer is properly grounded.

W003

NOTE: When installing lower bearing, weldment assembly and brake assembly, apply No. 27604P Anti-Seize Compound to area of transmission tube that will be contacting bearing. See Figure 5-36.

To prevent porcelain damage, leg plates must be installed on outside of outer tub flange when reinstalling support legs of weldment assembly. See Figure 5-33. Do not overtighten screws as this could cause stripping or porcelain damage. Torque screws between 90 to 130 inch-pounds (10.30 to 14.87 N-m).

IMPORTANT: When replacing or reinstalling transmission assembly, it is important that No. 27604P Anti-Seize Compound be applied to area of the transmission tubes where they will be contacting upper and lower bearings. See Figure 5-36.

Carefully lower transmission through upper bearing. **DO NOT DROP OR LOWER TRANSMISSION ASSEMBLY INTO POSITION TOO HARD.** This can cause bearing to move which will cause vibration, noise, wear or no spin.

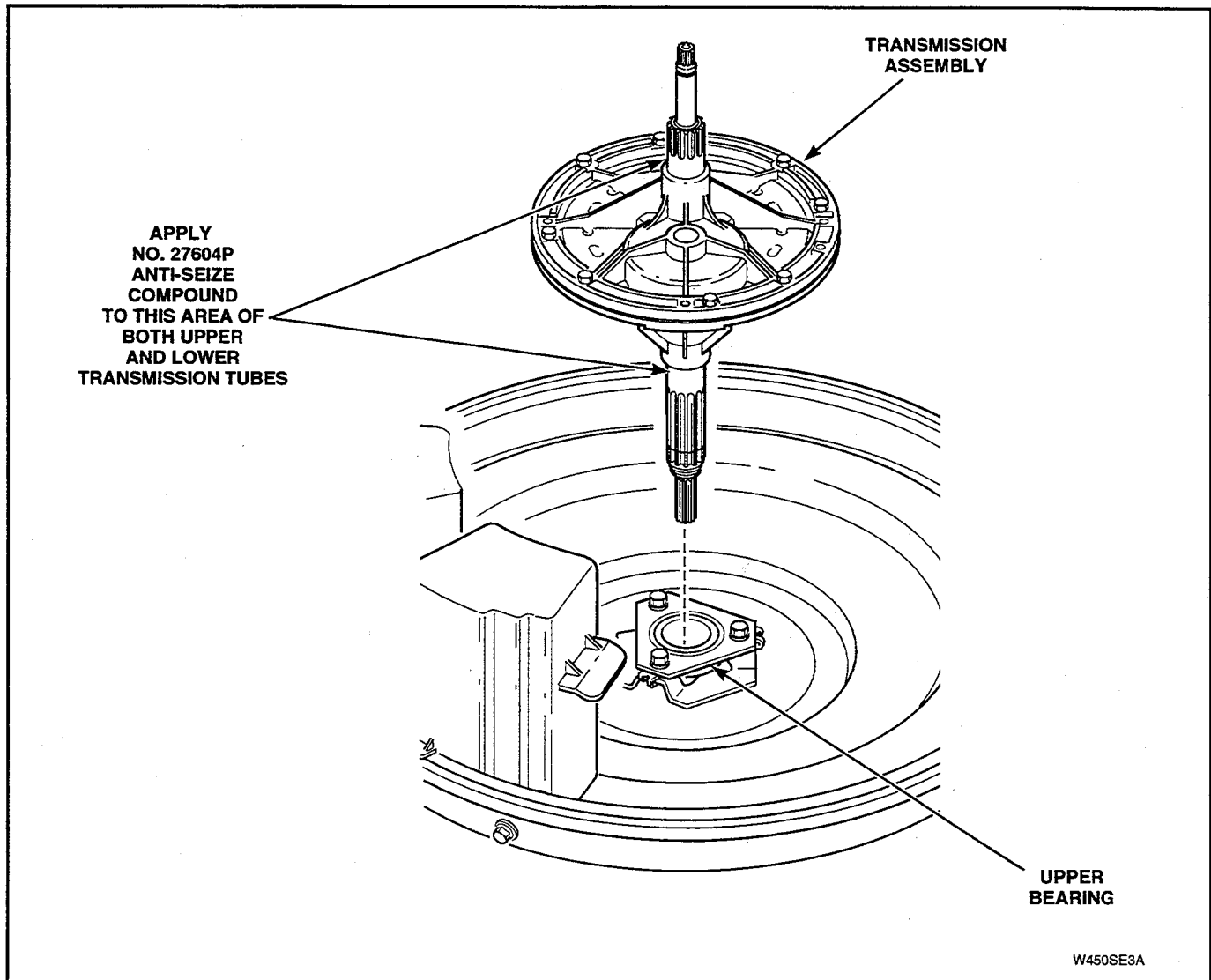


Figure 5-36



WARNING

To reduce the risk of electric shock, fire, explosion, serious injury or death:

- Disconnect electric power to the washer before servicing.
- Never start the washer with any guards/panels removed.
- Whenever ground wires are removed during servicing, these ground wires must be reconnected to ensure that the washer is properly grounded.

W003

TO DISASSEMBLE TRANSMISSION ASSEMBLY (Refer to Figure 5-37 for assembly sequence)

- a. Place transmission in a vise with input shaft end up. Clamp only the case, not the shaft.

NOTE: Supporting transmission in this manner will allow oil to collect in the transmission case.

- b. Before disassembling transmission halves, mark outer edge of transmission case and cover so two can be reassembled in the same position.
- c. Place transmission in vise so three of the eight screws holding transmission case and cover together are in the twelve, four and seven o'clock positions.
- d. Loosen three screws, mentioned in step "c", approximately two turns. DO NOT remove these three screws at this time. Remove remaining five screws and lockwashers completely.
- e. Remove transmission assembly from vise.
- f. While holding transmission by cover end, gently tap each of the three remaining screws until two halves separate. Place assembly back into vise (cover end up) and remove three screws and lockwashers.
- g. Remove screw and washer holding reduction gear to transmission cover and remove gear.
- h. Remove special screw, lockwasher and flat washer holding drive pinion to input shaft.

NOTE: To prevent input shaft from turning during removal of special screw, place an old helix onto shaft and hold helix with a locking pliers.

- i. Remove drive pinion from input shaft using a hammer and punch to drive shaft out of pinion.
- j. Remove input shaft from transmission cover.

IMPORTANT: Carefully examine area inside cover tube (seals, bearing, roller clutch, etc.). If oil is present between seals and bearing, or roller clutch is bad, it will require replacing complete transmission cover assembly. These components are not available separately.

- k. Remove internal gear, slide and rack from transmission case.
- l. Remove transmission case from vise and drain oil.
- m. Remove retainer ring from output shaft.
- n. Using a hammer and punch, carefully drive shaft out of agitator pinion.
- o. Carefully remove output shaft and washer from transmission case.

IMPORTANT: Carefully examine area inside transmission case tube (seals, bearings, etc.). If oil is present between seals and bearings, it will require replacing complete transmission case. Seals and bearings are not available separately.



WARNING

To reduce the risk of electric shock, fire, explosion, serious injury or death:

- Disconnect electric power to the washer before servicing.
- Never start the washer with any guards/panels removed.
- Whenever ground wires are removed during servicing, these ground wires must be reconnected to ensure that the washer is properly grounded.

W003

TO REASSEMBLE TRANSMISSION ASSEMBLY

IMPORTANT: Wash all components in a cleaning solution (mineral spirits). Wipe inside of transmission case and cover with a clean cloth, dampened with cleaning solution, to remove any impurities. **DO NOT** allow cleaning solution to come in contact with bearings and seals in transmission case and/or cover.

- a. Carefully insert output shaft and washer into transmission case.
- b. Place agitator pinion on splines of output shaft and press onto shaft.
- c. Install retainer ring on output shaft.
- d. Place transmission case into a vise. Clamp only the case, not the shaft.
- e. Place rack inside transmission case with rack resting on bar in case. Agitator pinion must engage the rack.

NOTE: Put a light film of transmission oil on bar where rack will slide back and forth.

- f. Position slide in slot in rack.

NOTE: Put a light film of transmission oil in slot on rack, and also the transmission case where internal gear will ride.

- g. Place internal gear into transmission case. Make sure guide pin on internal gear fits in hole in slide.

IMPORTANT: Never install a used internal gear in a new transmission case. If transmission case and internal gear are to be reused, be sure they are used as the original set.

- h. Refill transmission case with new No. 27243P Transmission Oil (one fill).
- i. To prevent seal damage, insert input shaft into cover starting at outer end of cover tube.

IMPORTANT: End of shaft with identification groove must be facing outward. See Figure 5-37. This is the end that will mate with the helix.

- j. Install drive pinion, flat washer, lockwasher and special screw onto input shaft.

NOTE: Use a thread locking compound on threads of special screw to prevent screw from loosening on shaft.

IMPORTANT: Make sure mating surfaces of transmission cover and case are free of oil or any other foreign material.

- k. Place reduction gear on stub shaft of cover and install screw and washer.
- l. Apply a bead of No. 37577P Sealant on mating surface of transmission case.

IMPORTANT: Bead of sealant should be no more than one sixteenth inch in diameter. **DO NOT** allow any sealant to contact edges of internal gear (sealant may damage moving parts).

NOTE: A transmission pin tool, Part No. 305P4, must be used to align the cover and case when reassembling the transmission after repair. The transmission pin tool must be used in sets of two and placed in the same holes shown in Figure 5-37. Both transmission pin tools must be left in place until all eight screws and nuts have been installed and tightened firmly, then remove the two pins.

- m. Carefully place transmission cover over top of transmission case. Make sure holes in cover line up with holes in case, and marked edges of two halves are aligned.
- n. Carefully lower cover onto case.
- o. Secure two transmission halves together, using eight screws removed during disassembly. Tighten eight screws evenly.
- p. Remove complete transmission assembly from vise.
- q. Apply Anti-Seize Compound, No. 27604P, to smooth area of both transmission tubes that will be contacting upper and lower bearings. See Figure 5-36.

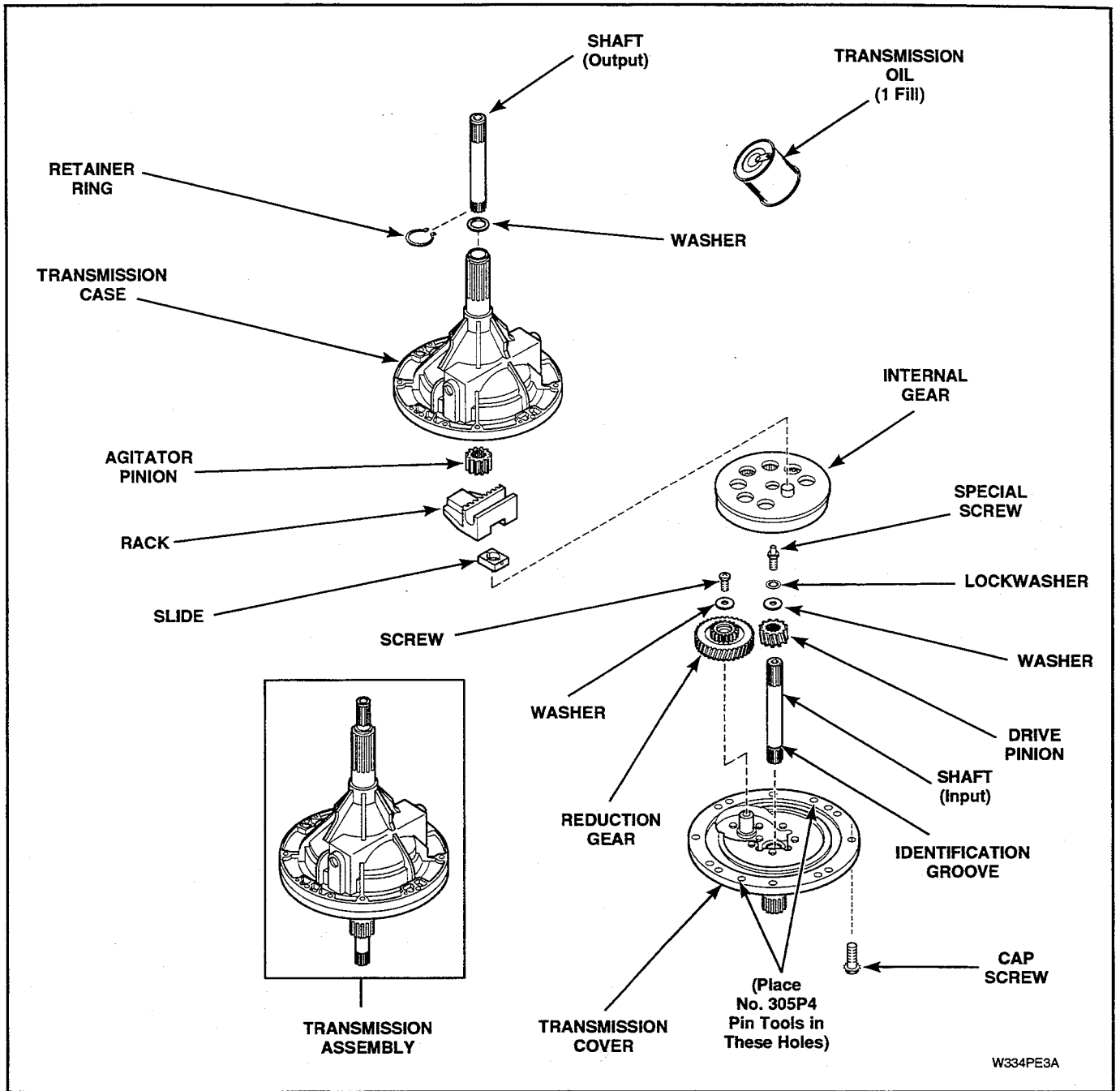


Figure 5-37



WARNING

To reduce the risk of electric shock, fire, explosion, serious injury or death:

- Disconnect electric power to the washer before servicing.
- Never start the washer with any guards/panels removed.
- Whenever ground wires are removed during servicing, these ground wires must be reconnected to ensure that the washer is properly grounded.

W003

23. UPPER BEARING ASSEMBLY

- Remove transmission assembly, paragraph 22, steps "a" through "u".
- Remove screws and lockwashers holding each support leg to outer tub. See Figure 5-35.
- Lift complete weldment assembly (with drive pulley, brake assembly, lower bearing, and transmission assembly attached) off outer tub.

- Remove three screws holding upper bearing and housing to bottom of outer tub. See Figure 5-38.

NOTE: Replace bearing and housing as an assembly. See Figure 5-38.

NOTE: When upper bearing assembly is reinstalled, threads of cap screws must be secured with a retaining compound.

IMPORTANT: To prevent porcelain damage, leg plates must be installed on outer tub flange when reinstalling support legs. (Plate must be installed on outside of tub flange). Do not overtighten screws as this could cause stripping or porcelain damage.

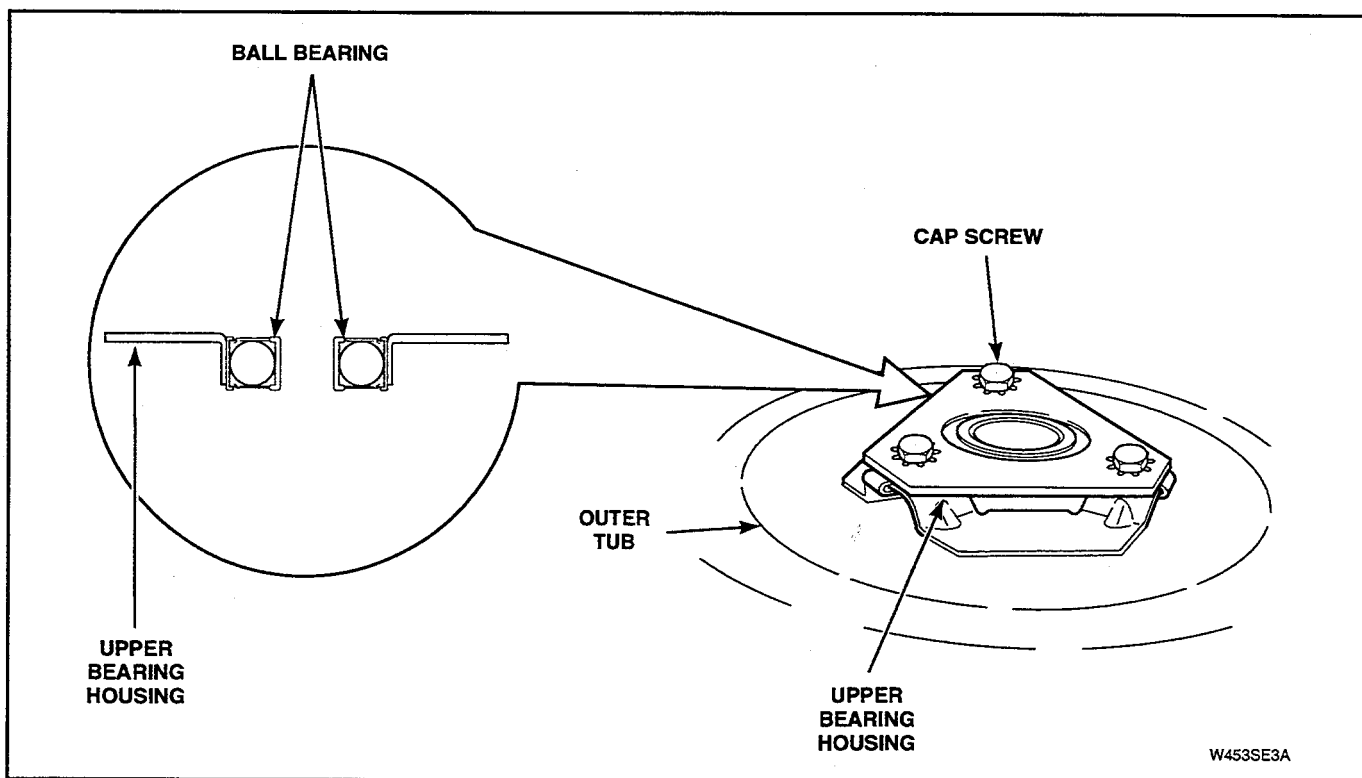


Figure 5-38



WARNING

To reduce the risk of electric shock, fire, explosion, serious injury or death:

- Disconnect electric power to the washer before servicing.
- Never start the washer with any guards/panels removed.
- Whenever ground wires are removed during servicing, these ground wires must be reconnected to ensure that the washer is properly grounded.

W003

24. FRICTION RING

NOTE: Screws located at bottom edge of front panel do not have to be removed as holes in front panel are slotted.

NOTE: Top edge of front panel is held in place by two spring clips located on the bottom of the front flange of the cabinet top. See Figure 5-16

- a. Insert putty knife between cabinet top and top edge of front panel, approximately three inches in from side. See Figure 5-16.
- b. Push in on putty knife and at the same time pull top edge of front panel away from front of washer. Repeat for opposite side.
- c. Lift front panel off the two screws and set panel aside.
- d. Remove two cabinet top hold-down screws. See Figure 5-16.
- e. If area or space permits, tape loading door closed and lift cabinet top to a vertical position by hinging it on the rear hinges.

NOTE: Cabinet top is self supporting, however, a small chain may be used for additional support. See Figure 5-22.

- f. Loosen hose clamps and remove pressure hose from pressure bulb and filler hose from tub cover.
- g. Loosen hose clamp and remove drain hose from pump.
- h. Disconnect wire harness from motor switch by pressing down on locking tab on top of connection block and at the same time pull connection block away from motor switch. See Figure 5-20. Disconnect harness from leg by squeezing tabs on cable tie together and push it back through hole in leg.

IMPORTANT: To avoid an open circuit, **DO NOT** pull on terminal block wires when removing block from motor switch as this could damage wires or connection crimpings. Before attaching wire harness connection block to motor switch, make sure all male terminals on motor switch are straight and are capable of accepting terminals from wire harness connection block.

- i. Using No. 289P4 Spring Hook Tool, unhook six module springs from lower edge of outer tub. See Figure 5-32.

IMPORTANT: When installing module springs, make sure spring hook is fully seated in hole in tub skirt. Mark the word "FRONT" on the front side of the outer tub so complete tub module can be reinstalled in the same position.

- j. Grasp outer tub and lift complete tub module assembly (with transmission and weldment assembly attached) straight up and out of washer cabinet and set out of the way.
- k. Remove old friction ring from washer base. See Figure 5-39.
- l. Use a dry cloth or a cloth dampened with water and clean the surface of the base where new friction ring will be installed.
- m. Carefully place complete tub module back into washer making sure the weldment assembly is positioned properly over the friction ring and the recess area of washer base.

NOTE: Be sure the word "FRONT" (on outer tub) is facing toward front of washer.

- n. Use the No. 289P4 Spring Hook Tool and starting with the rear springs, hook six module springs into lower edge of outer tub. See Figure 5-32.

IMPORTANT: When installing module springs, make sure spring hook is fully seated in hole in tub skirt. See Figure 5-34.



WARNING

To reduce the risk of electric shock, fire, explosion, serious injury or death:

- Disconnect electric power to the washer before servicing.
- Never start the washer with any guards/panels removed.
- Whenever ground wires are removed during servicing, these ground wires must be reconnected to ensure that the washer is properly grounded.

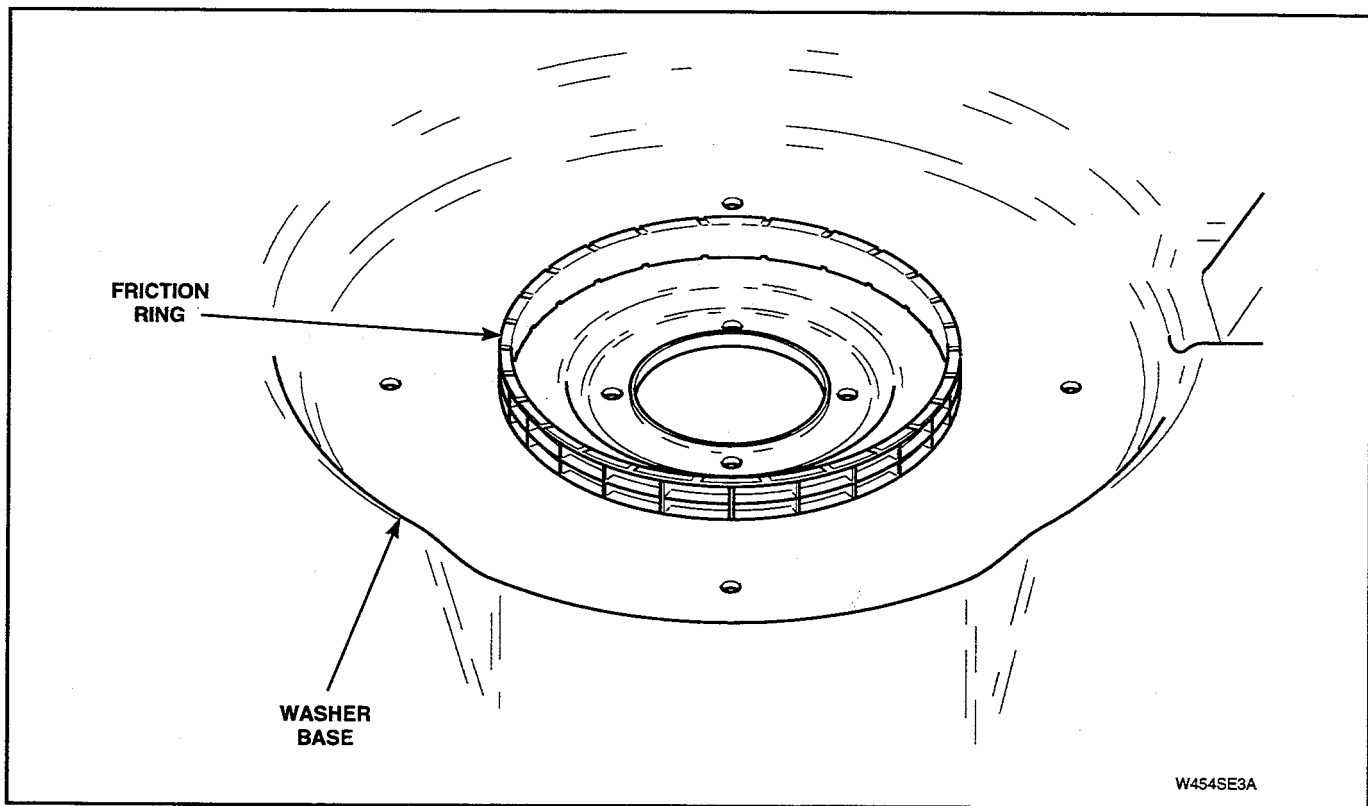
W003

- o. Connect hose to pump, then tighten hose clamp.
- p. Reconnect the connection block to motor switch. See Figure 5-20. Reinstall cable tie in leg making sure it secure.
- q. Reconnect pressure hose to pressure bulb. See Figure 5-40. Then connect filler hose to tub cover. See Figure 5-40.

NOTE: When reinstalling filler hose, white line on hose that connects to tub cover must be aligned with line on top side of outer tub cover. See Figure 5-40. Make sure hose is in its natural position (not kinked or twisted). If hose is not, loosen hose clamp and straighten hose.

- r. Reinstall cabinet top and washer front panel.
- s. Reconnect washer power cord and open water supply faucets.

NOTE: Washer must be run through a complete cycle to make sure it is operating properly.



W454SE3A

Figure 5-39

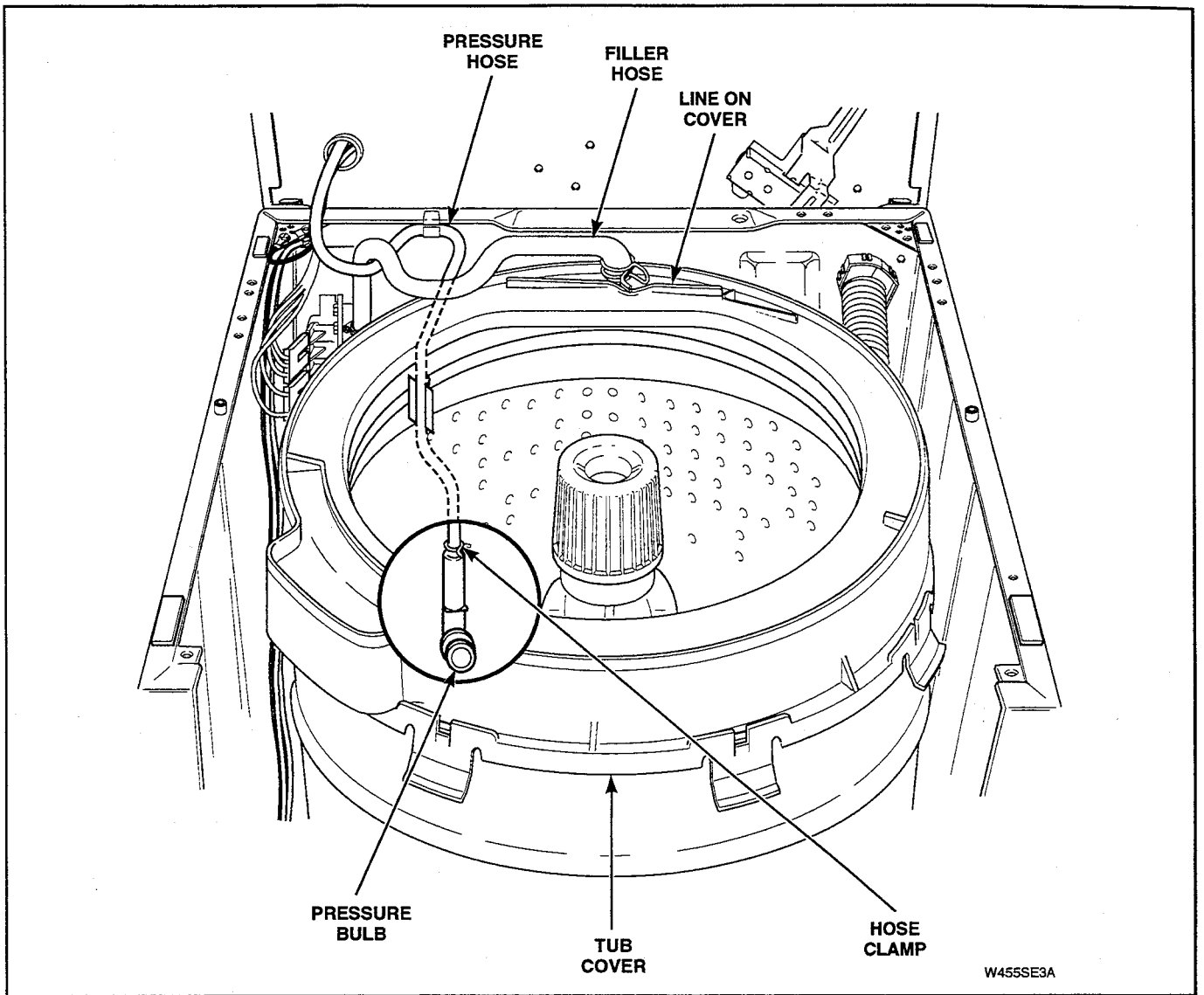


Figure 5-40

SECTION 6

Adjustments

1. LEVELING LEGS (Refer to Figure 6-1)

- a. Place rubber feet on all four leveling legs.
- b. Place washer in position on a clean, dry, and reasonably firm floor.
- c. Loosen locknuts and adjust two front leveling legs. Once adjusted, tilt washer forward on front legs and lower back down into position to set the rear self-leveling legs.

- d. Washer must not rock. After washer is at desired height, tighten locknuts securely against bottom of washer base. If these locknuts are not tight, washer will not remain stationary during operation.

NOTE: Improper installation, installation on carpet or flexing of a weak floor will cause excessive vibration.

IMPORTANT: Do not slide washer across floor once leveling legs have been extended, as legs and base could become damaged.

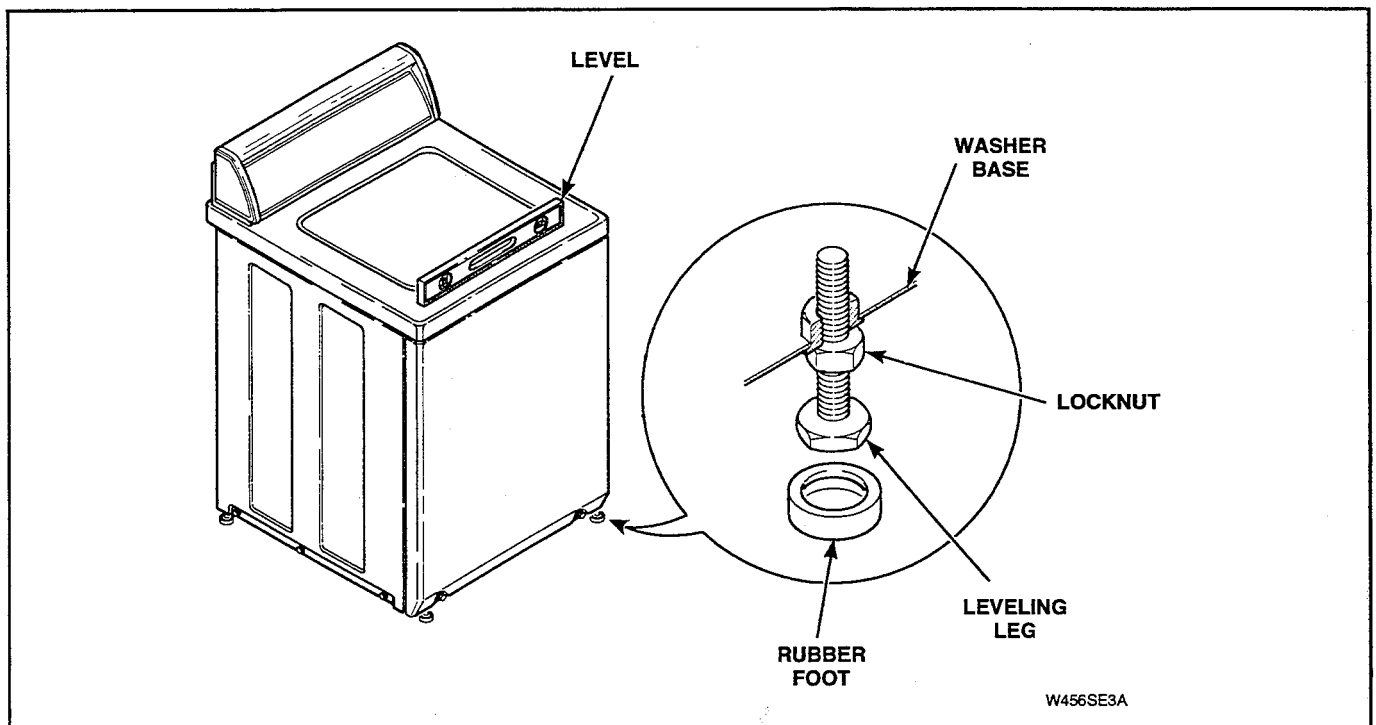


Figure 6-1

2. PRESSURE SWITCH (Refer to Figure 6-2)

NOTE: DO NOT ADJUST PRESSURE SWITCH IF WASHER IS WITHIN THE WARRANTY PERIOD.

Pressure switch is set at the factory for proper water fill levels. However, if there is a problem of overfilling or underfilling, pressure switch can be adjusted.

Maximum water fill level can be increased by turning adjusting screw **CLOCKWISE**, and decreased by turning screw **COUNTERCLOCKWISE**.

One quarter turn of the adjusting screw represents approximately one inch (25.4 mm) increase or decrease of water level in washtub.

IMPORTANT: DO NOT turn adjusting screw more than 3/4 of a turn in either direction as the switch may be damaged and flooding could result.

3. BELT (Agitate and Spin)

No belt adjustment is required.

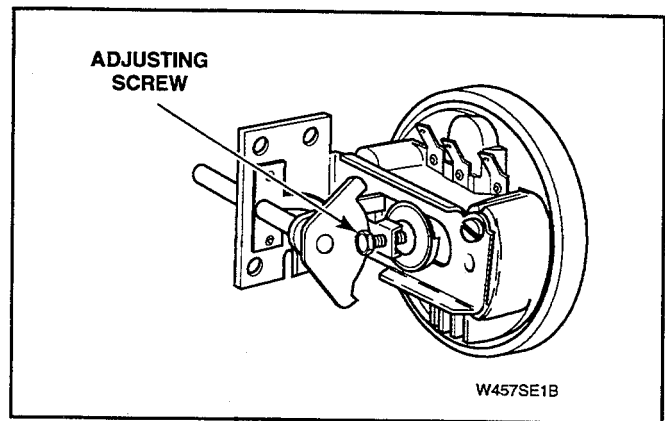


Figure 6-2

SECTION 7

Test Procedures



WARNING

To reduce the risk of electric shock, fire, explosion, serious injury or death:

- Disconnect electric power to the washer before servicing.
- Never start the washer with any guards/panels removed.
- Whenever ground wires are removed during servicing, these ground wires must be reconnected to ensure that the washer is properly grounded.

W003

EMERSON MOTOR SWITCH

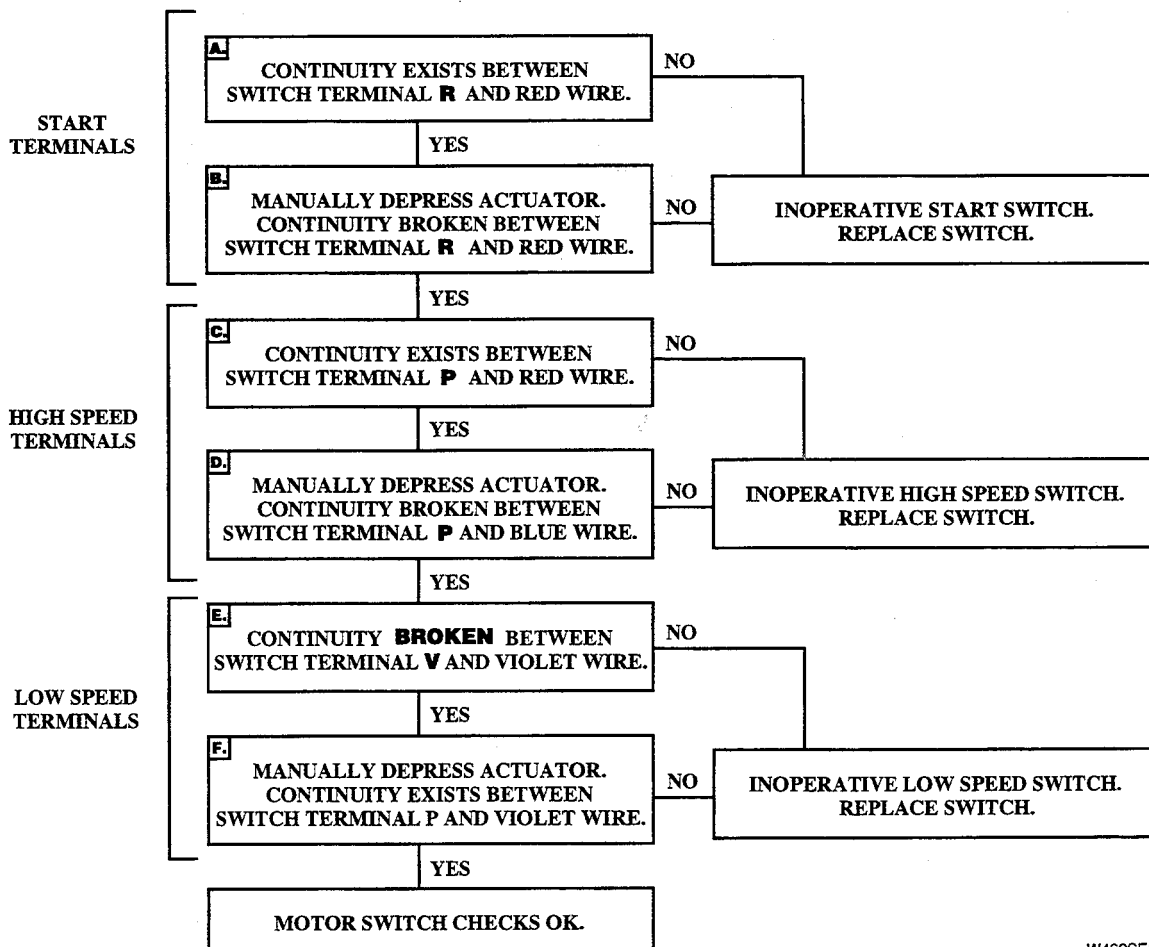
NOTE: Refer to SECTION 9 for Internal Wiring of Washer Motor Switch.



WARNING

Disconnect electric power to washer before performing the following steps, or when replacing switch.

W165



W462SE3A



WARNING

To reduce the risk of electric shock, fire, explosion, serious injury or death:

- Disconnect electric power to the washer before servicing.
- Never start the washer with any guards/panels removed.
- Whenever ground wires are removed during servicing, these ground wires must be reconnected to ensure that the washer is properly grounded.

W003

EMERSON MOTOR SWITCH

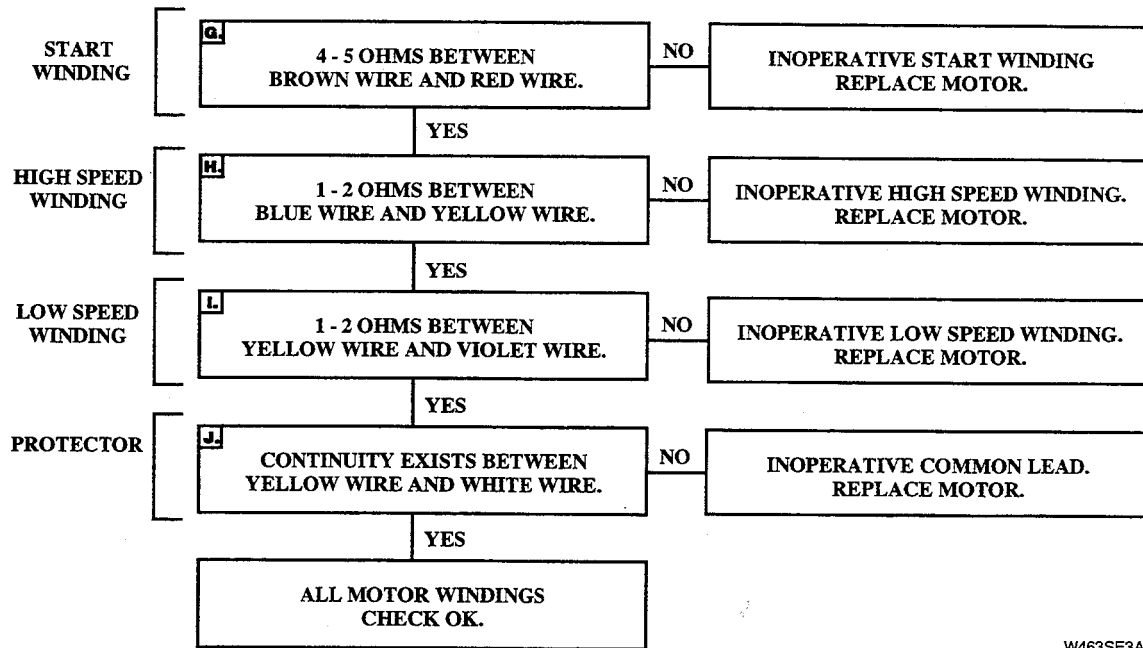
NOTE: Refer to SECTION 9 for Internal Wiring of Washer Motor Switch.



WARNING

Disconnect electric power to washer before performing the following steps, or when replacing switch.

W165



W463SE3A

NOTE: Refer to SECTION 9 for Internal Wiring of Washer Motor Switch.

SECTION 8

Cycle Sequence Charts

NOTE: Times listed are approximate.

CYCLE	FUNCTION	WATER TEMP. SELECT	*MOTOR SPEED	TIME (MIN: SEC)
SOAK	SOAK, FILL AND AGITATE	H, W, C	S	3:00
	SOAK FILL	H, W, C		12:00
	SPIN		S	3:00
OFF				3:00
PRE WASH	WASH, FILL AND AGITATE	H, W, C	F	6:00
	SPIN		F	3:00
	WASH, FILL AND AGITATE	H, W, C	F	15:30
REGULAR	WASH, FILL AND AGITATE	H, W, C	F	15:00
	SPIN		F	3:00
	SPIN AND SPRAY	C	F	:24
	SPIN		F	2:36
	RINSE, FILL AND AGITATE	W, C	F	3:00
	SPIN		F	6:00
OFF/PAUSE	CYCLE END OR PAUSE FOR EXTRA RINSE			3:00
EXTRA RINSE	RINSE, FILL AND AGITATE	W, C	F	3:00
	SPIN		F	6:00
OFF				
PERMANENT PRESS	WASH, FILL AND AGITATE	H, W, C	F	9:00
	SPIN		M	3:00
	SPIN AND SPRAY	C	M	:24
	SPIN		M	2:36
OFF/PAUSE	CYCLE END OR PAUSE FOR EXTRA RINSE			3:00
EXTRA RINSE	RINSE, FILL AND AGITATE	W, C	F	3:00
	SPIN		F	6:00
OFF				3:00
DELICATE	WASH, FILL AND SOAK	H, W, C		3:00
	WASH, FILL AND AGITATE	H, W, C	M	:24
	WASH, FILL AND SOAK	H, W, C		2:36
	WASH, FILL AND AGITATE	H, W, C		:24
	WASH, FILL AND SOAK	H, W, C		2:36
	SPIN		M	3:00
	SPIN AND SPRAY	C	M	:22
	SPIN		M	2:38
	RINSE, FILL AND AGITATE	C	M	3:00
	SPIN		M	3:00
OFF/PAUSE	CYCLE END OR PAUSE FOR EXTRA RINSE			3:00
EXTRA RINSE	RINSE, FILL AND AGITATE	C	M	3:00
	SPIN		M	3:00
OFF				3:00
HANDWASH	WASH, FILL AND SOAK	H, W, C		3:00
	WASH, FILL AND AGITATE	H, W, C	S	:24
	WASH, FILL AND SOAK	H, W, C		2:36
	WASH, FILL AND AGITATE	H, W, C	S	:24
	WASH, FILL AND SOAK	H, W, C		2:36
	SPIN		M	3:00
	SPIN AND SPRAY	C	M	:22
	SPIN		M	2:38
	RINSE, FILL AND AGITATE	C	S	3:00
	SPIN		M	3:00
OFF				3:00

KEY:

H = HOT W = WARM C = COLD
 F = FAST M = MEDIUM S = SLOW

TIMER NO. 37927 CYCLE SEQUENCE

CYCLE	FUNCTION	WATER TEMP. SELECT	*MOTOR SPEED	TIME (MIN: SEC)
REGULAR	WASH, FILL AND AGITATE	H, W, C	F	15:00
	SPIN		F	1:30
	SPIN AND SPRAY	C	F	:25
	SPIN		F	2:35
	RINSE, FILL AND AGITATE	W, C	F	3:00
	SPIN		F	6:00
OFF				3:00
PERMANENT PRESS	WASH, FILL AND AGITATE	H, W, C	F	9:00
	SPIN		S	1:30
	SPIN AND SPRAY	C	S	:25
	SPIN		S	2:35
	RINSE, FILL AND AGITATE	W, C	F	3:00
	SPIN		F	6:00
OFF				
DELICATE	WASH, FILL AND SOAK	H, W, C		1:30
	WASH, FILL AND AGITATE	H, W, C	S	:25
	WASH, FILL AND SOAK	H, W, C		2:35
	WASH, FILL AND AGITATE	H, W, C	S	:25
	WASH, FILL AND SOAK	H, W, C		2:35
	WASH, FILL AND AGITATE	H, W, C	S	:25
	WASH, FILL AND SOAK	H, W, C		1:05
	SPIN		S	1:30
	SPIN AND SPRAY	C	S	:25
	SPIN		S	2:35
	RINSE, FILL AND AGITATE	C	S	3:00
	SPIN		S	3:00
	OFF			

*On Single Speed Model Washers, All Speeds Are Fast.

KEY:

HOT = HOT

W = WARM

C = COLD

TIMER NO. 37929 CYCLE SEQUENCE

CYCLE	FUNCTION	WATER TEMP. SELECT	*MOTOR SPEED	TIME (MIN: SEC)
SOAK	SOAK, FILL AND AGITATE	H, W, C	S	3:00
	SOAK FILL	H, W, C		12:00
	SPIN		S	3:00
OFF				3:00
PRE WASH	WASH, FILL AND AGITATE	H, W, C	F	6:00
	SPIN		F	3:00
REGULAR	WASH, FILL AND AGITATE	H, W, C	F	15:00
	SPIN		F	3:00
	SPIN AND SPRAY	C	F	:24
	SPIN		F	2:36
	RINSE, FILL AND AGITATE	W, C	F	3:00
	SPIN		F	6:00
OFF / PAUSE	CYCLE END OR PAUSE FOR EXTRA RINSE			3:00
EXTRA RINSE	RINSE, FILL AND AGITATE	W, C	F	3:00
	SPIN		F	6:00
OFF				OFF
PERMANENT PRESS	WASH, FILL AND AGITATE	H, W, C	F	9:00
	SPIN		S	3:00
	SPIN AND SPRAY	C	S	:24
	SPIN		S	2:36
	RINSE, FILL AND AGITATE	W, C	F	3:00
	SPIN		F	6:00
OFF / PAUSE	CYCLE END OR PAUSE FOR EXTRA RINSE			3:00
EXTRA RINSE	RINSE, FILL AND AGITATE	W, C	F	3:00
	SPIN		F	6:00
OFF				3:00
DELICATE	WASH, FILL AND SOAK	H, W, C		3:00
	WASH, FILL AND AGITATE	H, W, C	S	:24
	WASH, FILL AND SOAK	H, W, C		2:36
	WASH, FILL AND AGITATE	H, W, C	S	:24
	WASH, FILL AND SOAK	H, W, C		2:36
	SPIN		S	3:00
	SPIN AND SPRAY	C	S	:22
	SPIN		S	2:38
	RINSE, FILL AND AGITATE	C	S	3:00
	SPIN		S	3:00
	OFF / PAUSE	CYCLE END OR PAUSE FOR		
EXTRA RINSE	RINSE, FILL AND AGITATE	C	S	3:00
	SPIN		S	3:00
OFF				3:00

CYCLE	FUNCTION	WATER TEMP. SELECT	*MOTOR SPEED	TIME (MIN: SEC)
SOAK	SOAK, FILL AND AGITATE	H, W, C	S	3:00
	SOAK FILL	H, W, C		12:00
	SPIN		S	3:00
OFF				3:00
PRE WASH	WASH, FILL AND AGITATE	H, W, C	F	6:00
	SPIN		F	3:00
REGULAR	WASH, FILL AND AGITATE	H, W, C	F	15:00
	SPIN		F	3:00
	SPIN AND SPRAY	C	F	:24
	SPIN		F	2:36
	RINSE, FILL AND AGITATE	W, C	F	3:00
	SPIN		F	6:00
OFF/PAUSE	CYCLE END OR PAUSE FOR EXTRA RINSE			3:00
EXTRA RINSE	RINSE, FILL AND AGITATE	W, C	F	3:00
	SPIN		F	6:00
OFF				OFF
PERMANENT PRESS	WASH, FILL AND AGITATE	H, W, C	F	9:00
	SPIN		S	3:00
	SPIN AND SPRAY	C	S	:24
	SPIN		S	2:36
	RINSE, FILL AND AGITATE	W, C	F	3:00
	SPIN		F	6:00
OFF/PAUSE	CYCLE END OR PAUSE FOR EXTRA RINSE			3:00
EXTRA RINSE	RINSE, FILL AND AGITATE	W, C	F	3:00
	SPIN		F	6:00
OFF				3:00
DELICATE	WASH, FILL AND SOAK	H, W, C		3:00
	WASH, FILL AND AGITATE	H, W, C	S	:24
	WASH, FILL AND SOAK	H, W, C		2:36
	WASH, FILL AND AGITATE	H, W, C	S	:24
	WASH, FILL AND SOAK	H, W, C		2:36
	SPIN		S	3:00
	SPIN AND SPRAY	C	S	:22
	SPIN		S	2:38
	RINSE, FILL AND AGITATE	C	S	3:00
	SPIN		S	3:00
	OFF/PAUSE	CYCLE END OR PAUSE		
EXTRA RINSE	RINSE, FILL AND AGITATE	C	S	3:00
	SPIN		S	3:00
OFF				3:00

KEY:

H = HOT W = WARM C = COLD
F = FAST S = SLOW

TIMER NO. 38881 CYCLE SEQUENCE

SECTION 9

Internal Wiring of Washer Motor Switch

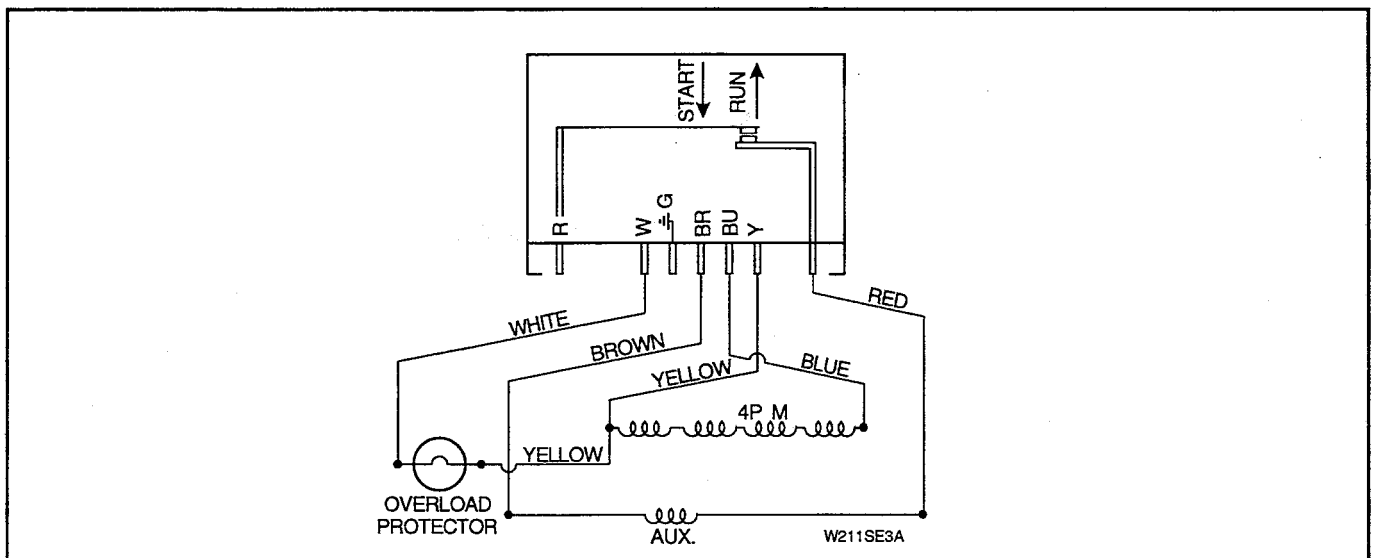
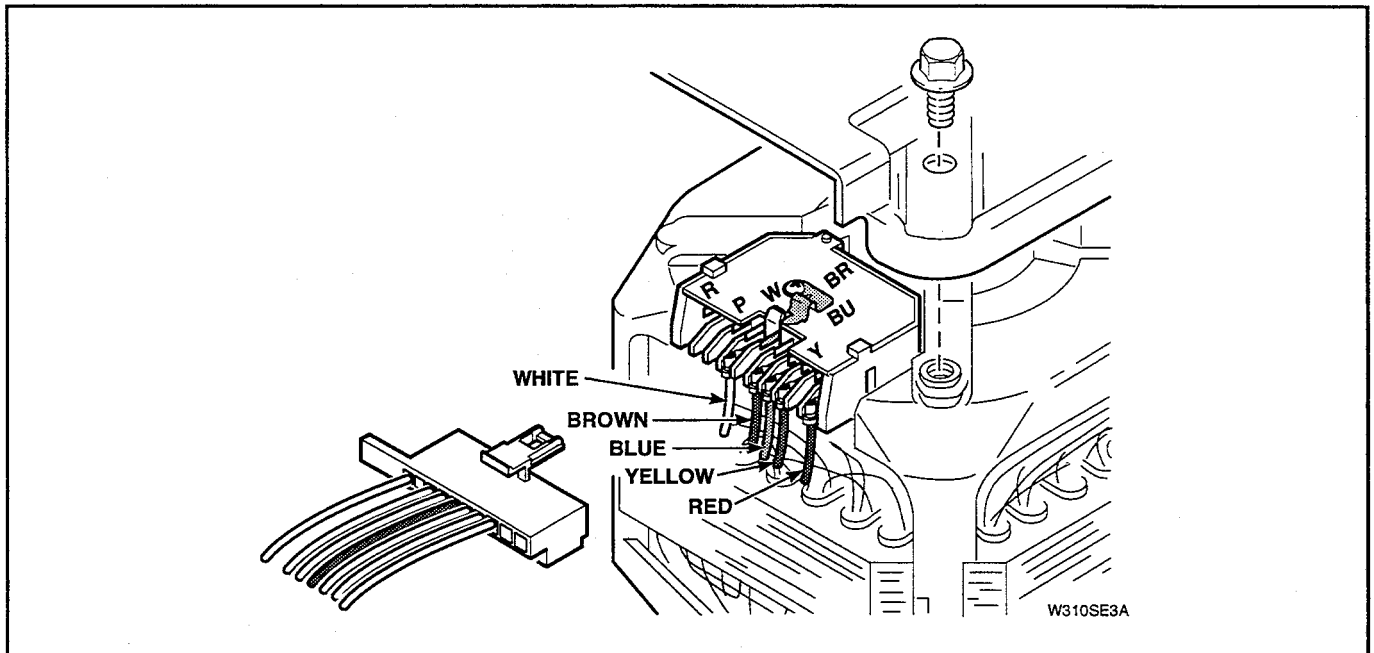


WARNING

To reduce the risk of electric shock, fire, explosion, serious injury or death:

- Disconnect electric power to the washer before servicing.
- Never start the washer with any guards/panels removed.
- Whenever ground wires are removed during servicing, these ground wires must be reconnected to ensure that the washer is properly grounded.

W003



MOTOR ASSEMBLY
(1 Speed Motors)

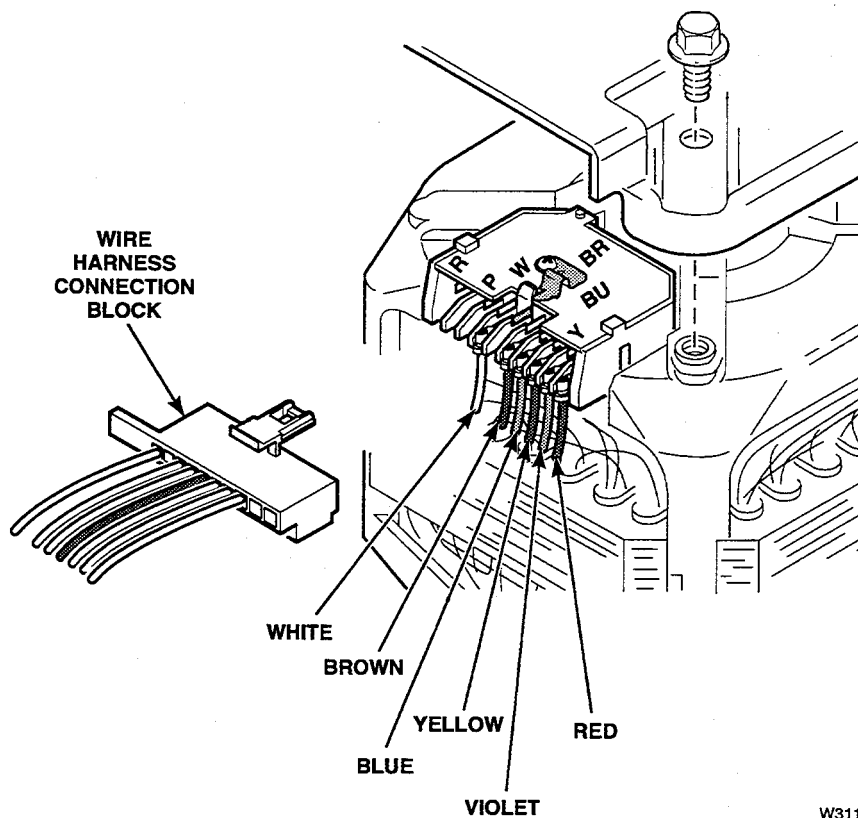


WARNING

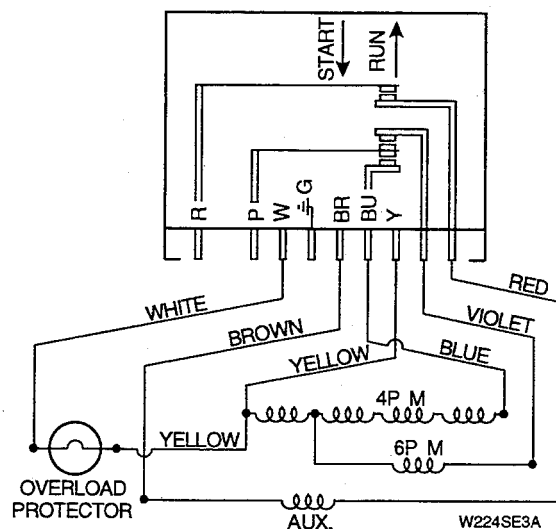
To reduce the risk of electric shock, fire, explosion, serious injury or death:

- Disconnect electric power to the washer before servicing.
- Never start the washer with any guards/panels removed.
- Whenever ground wires are removed during servicing, these ground wires must be reconnected to ensure that the washer is properly grounded.

W003



W311SE3B



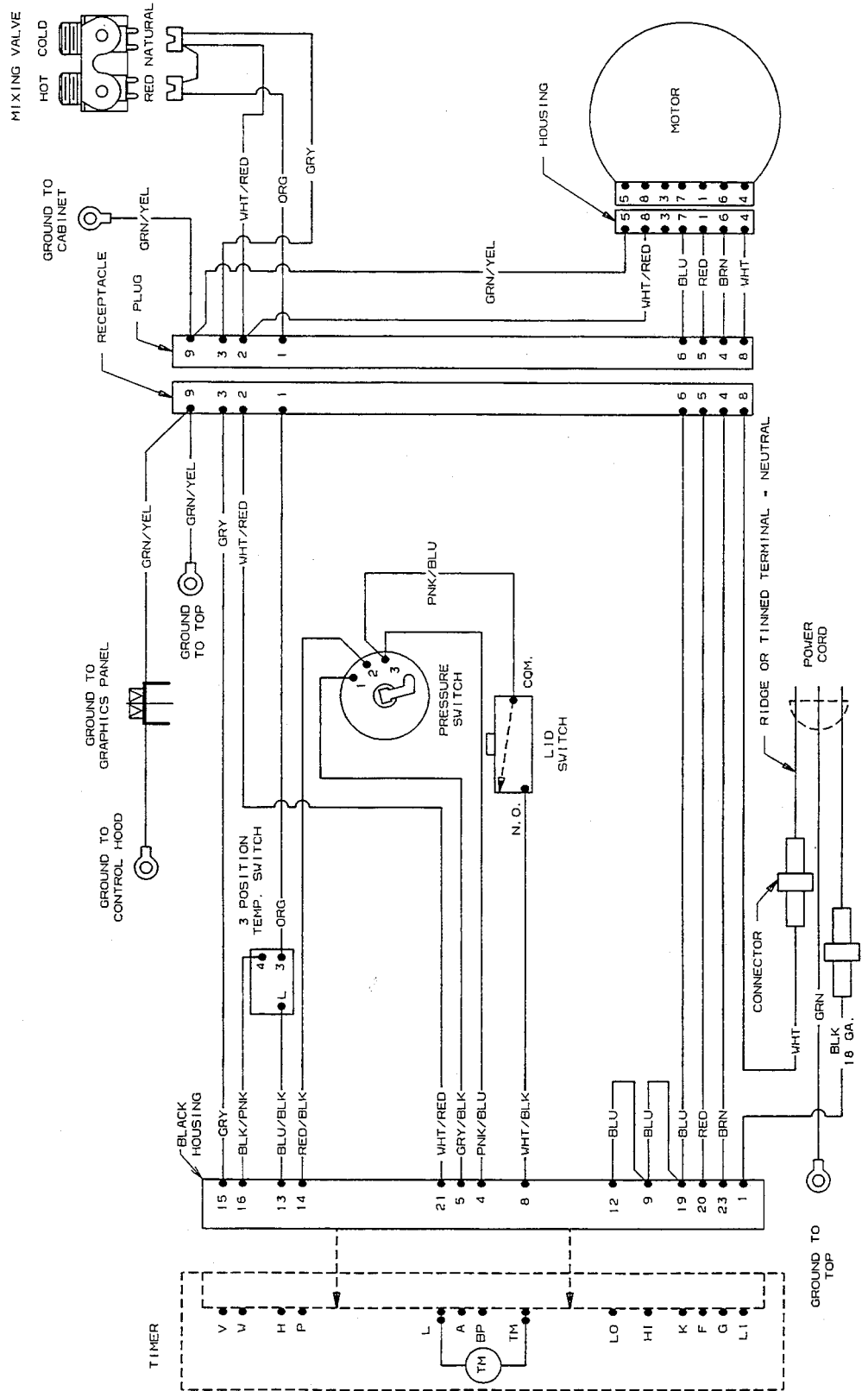
MOTOR ASSEMBLY
(2 Speed Motors)

SECTION 10

Wiring Diagrams

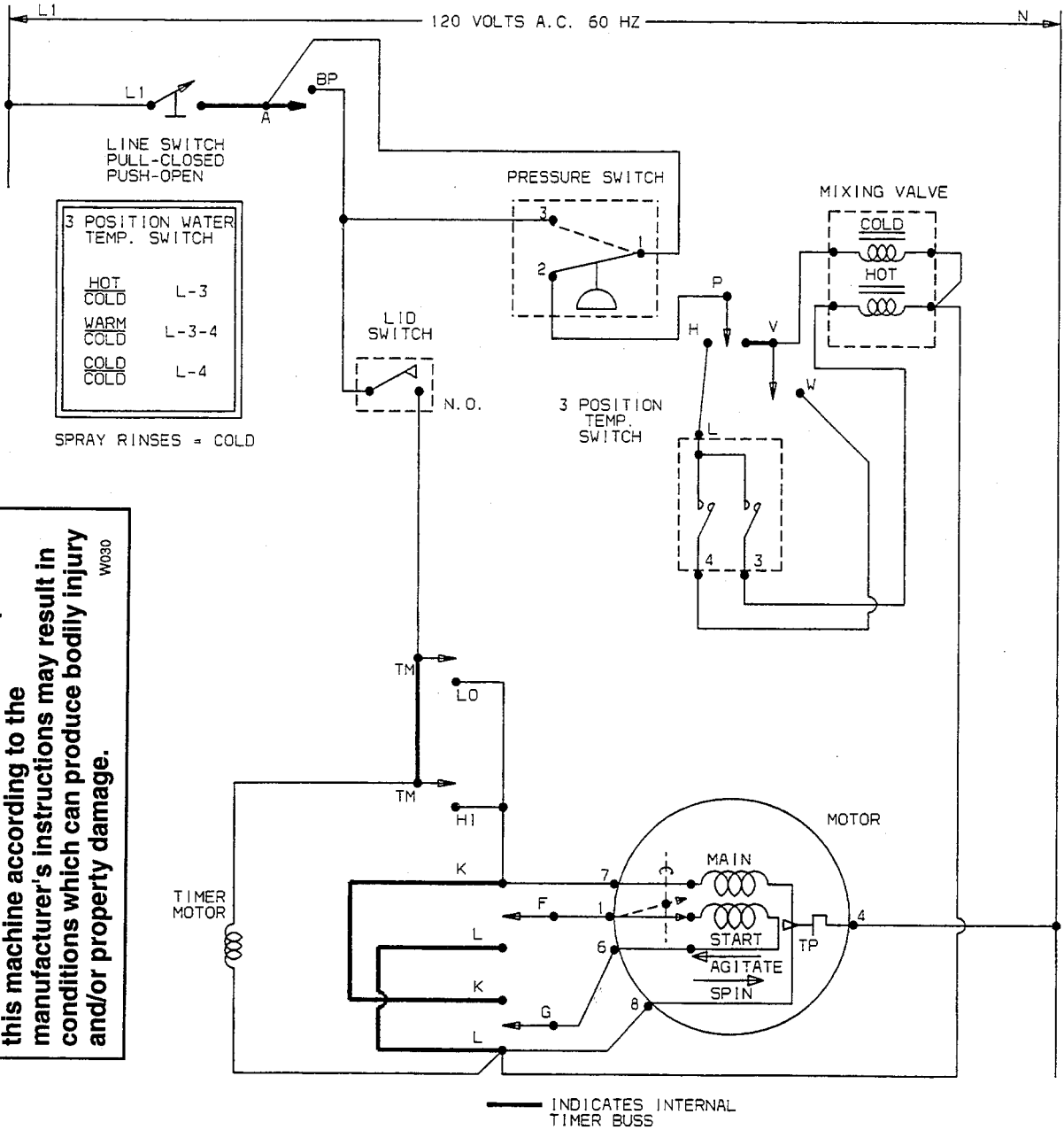
WARNING
 Failure to install, maintain, and/or operate this machine according to the manufacturer's instructions may result in conditions which can produce bodily injury and/or property damage.
 W030

CONNECTION DIAGRAM



MODELS LWS01A*, LWS04A*, LWS16A* AND LWS17A*

SCHEMATIC



WARNING

Failure to install, maintain, and/or operate this machine according to the manufacturer's instructions may result in conditions which can produce bodily injury and/or property damage.

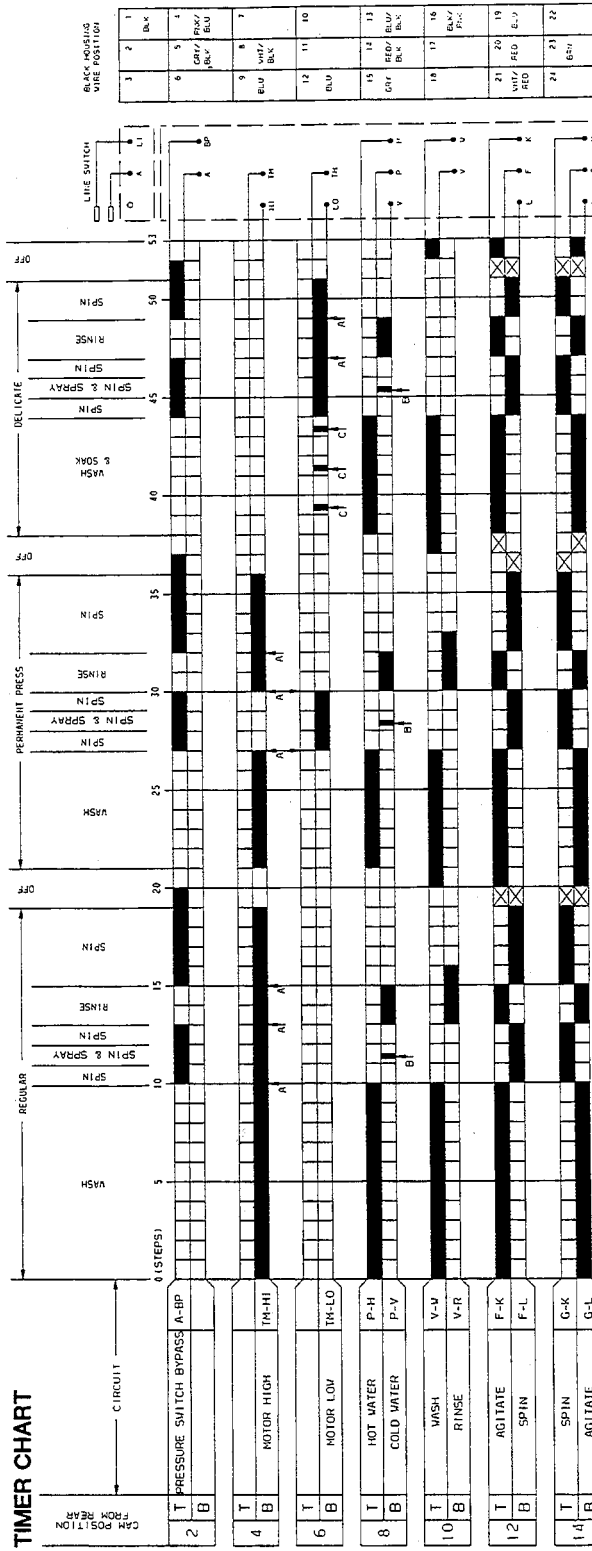
W030

MODELS LWS01A*, LWS04A*, LWS16A* AND LWS17A*

WARNING

Failure to install, maintain, and/or operate this machine according to the manufacturer's instructions may result in conditions which can produce bodily injury and/or property damage.

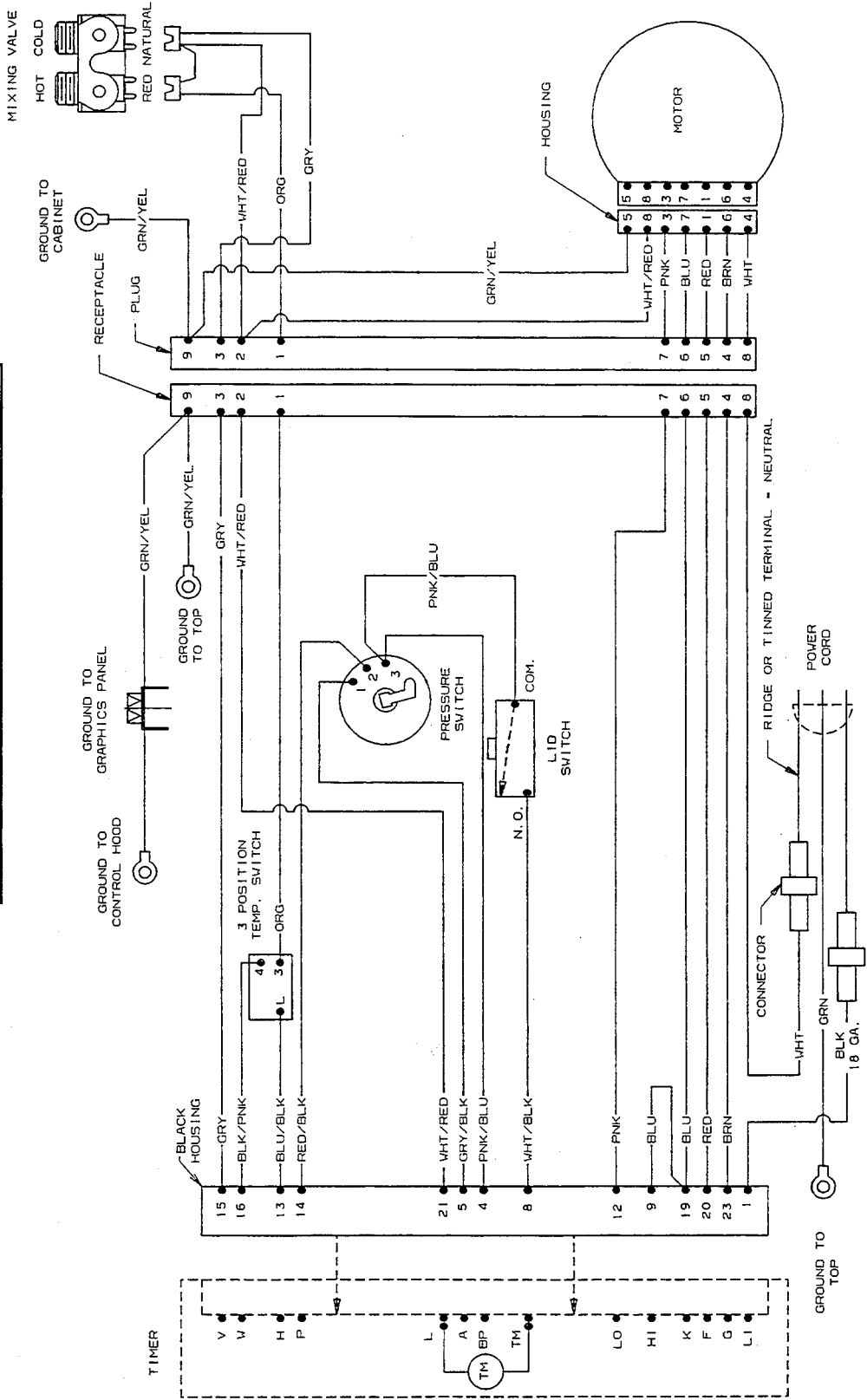
W030



MODELS LWS01A*, LWS04A*, LWS16A* AND LWS17A*

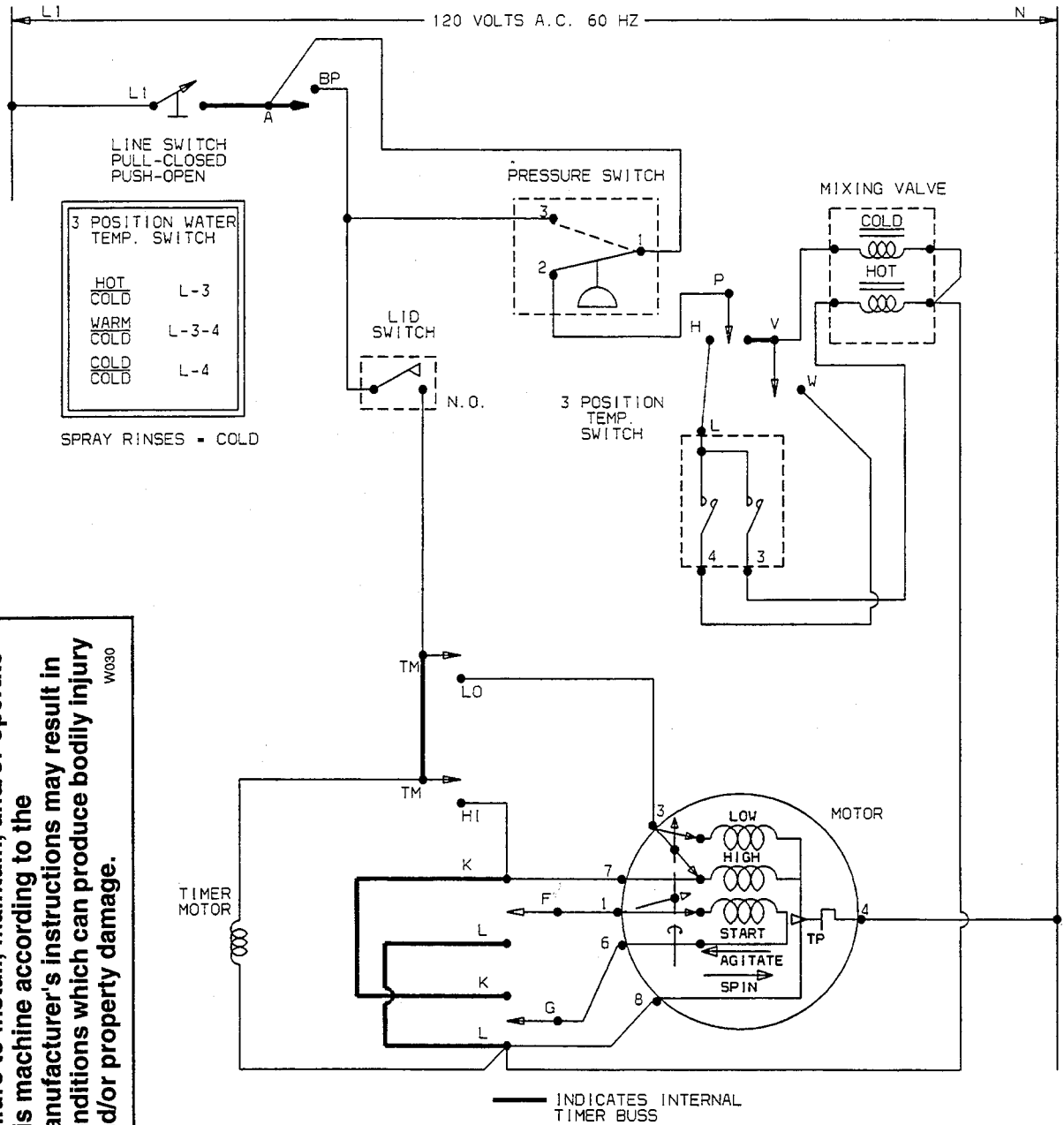
WARNING
 Failure to install, maintain, and/or operate this machine according to the manufacturer's instructions may result in conditions which can produce bodily injury and/or property damage.

CONNECTION DIAGRAM



MODELS LWS34*

SCHEMATIC



WARNING

Failure to install, maintain, and/or operate this machine according to the manufacturer's instructions may result in conditions which can produce bodily injury and/or property damage.

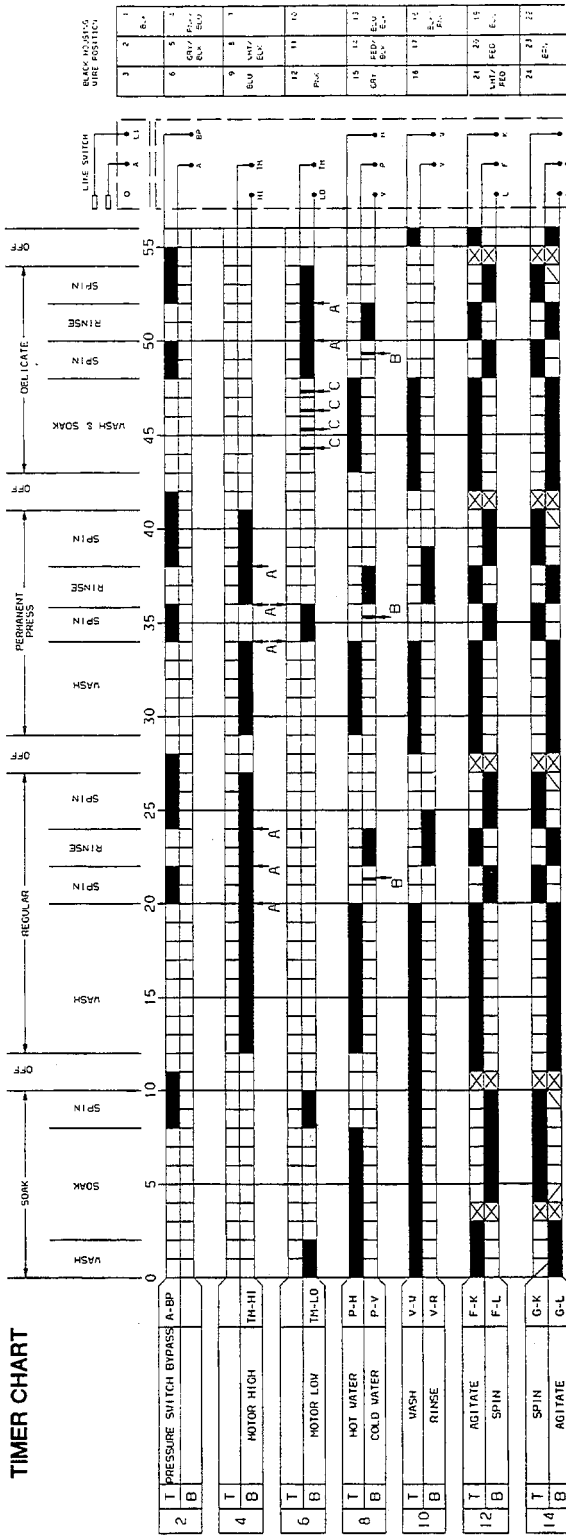
W030

MODELS LWS34*

WARNING

Failure to install, maintain, and/or operate this machine according to the manufacturer's instructions may result in conditions which can produce bodily injury and/or property damage.

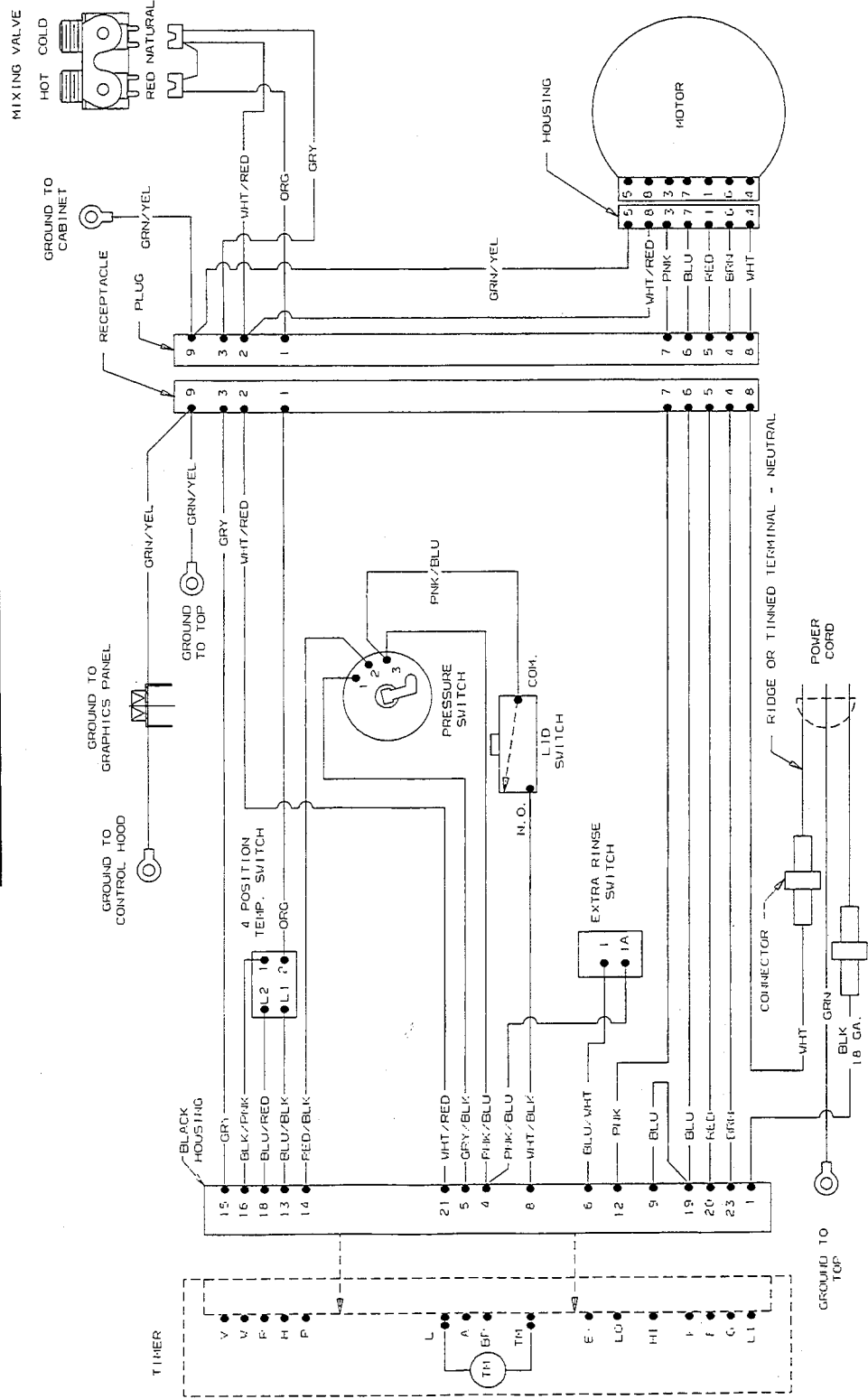
W030



MODELS LWS34*

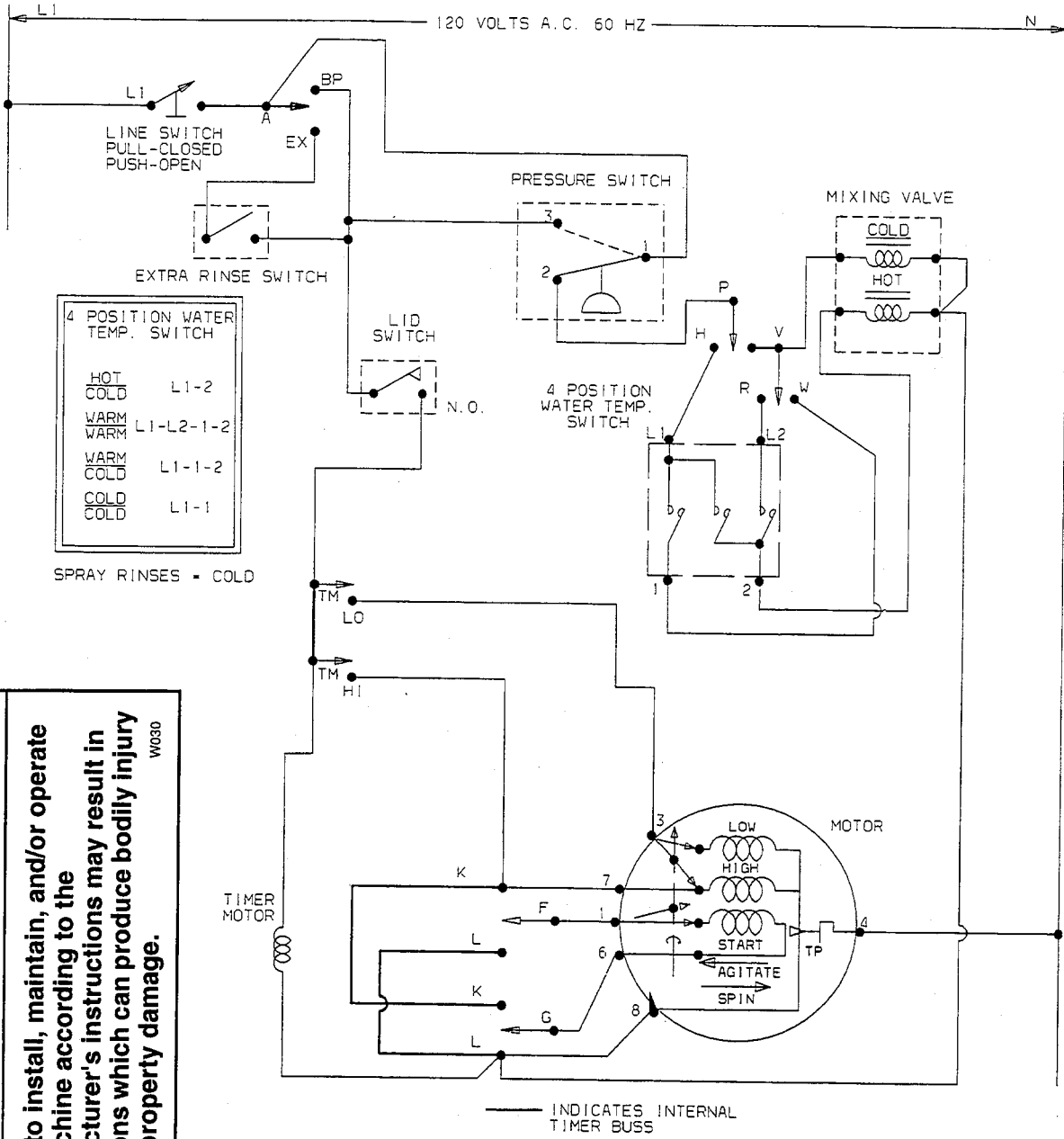
WARNING
 Failure to install, maintain, and/or operate this machine according to the manufacturer's instructions may result in conditions which can produce bodily injury and/or property damage.

CONNECTION DIAGRAM



MODELS LWS55*

SCHEMATIC



WARNING

Failure to install, maintain, and/or operate this machine according to the manufacturer's instructions may result in conditions which can produce bodily injury and/or property damage.

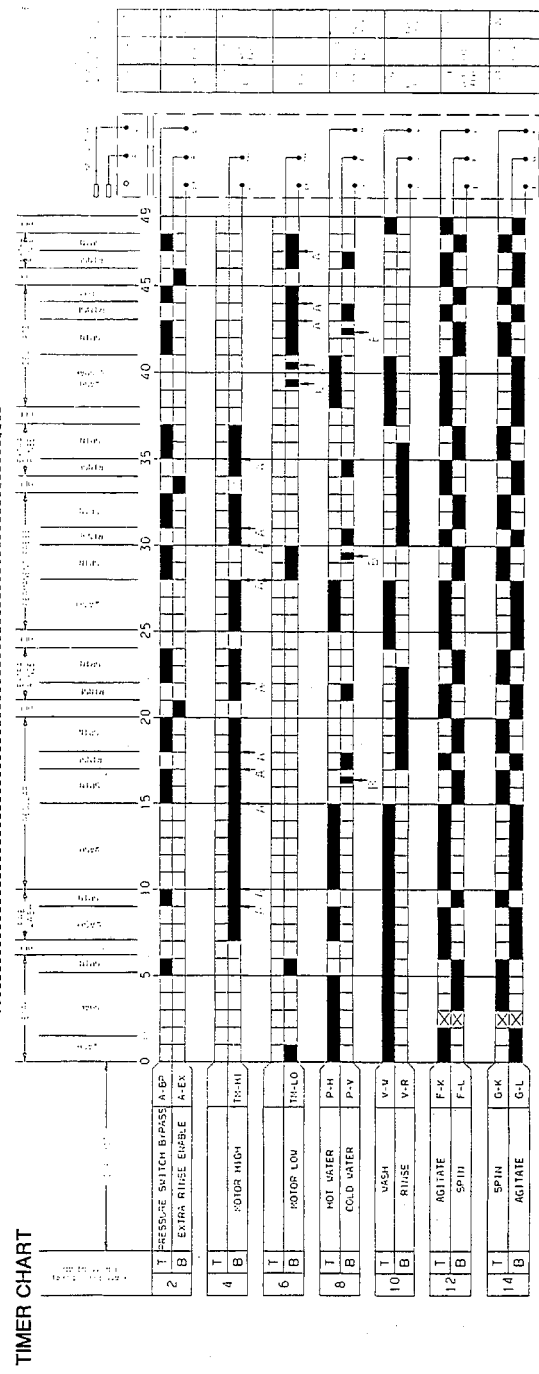
W030

MODELS LWS55*

WARNING
 Failure to install, maintain, and/or operate this machine according to the manufacturer's instructions may result in conditions which can produce bodily injury and/or property damage.

W030

WARNING
 Failure to install, maintain, and/or operate this machine according to the manufacturer's instructions may result in conditions which can produce bodily injury and/or property damage.



MODELS LWS55*

