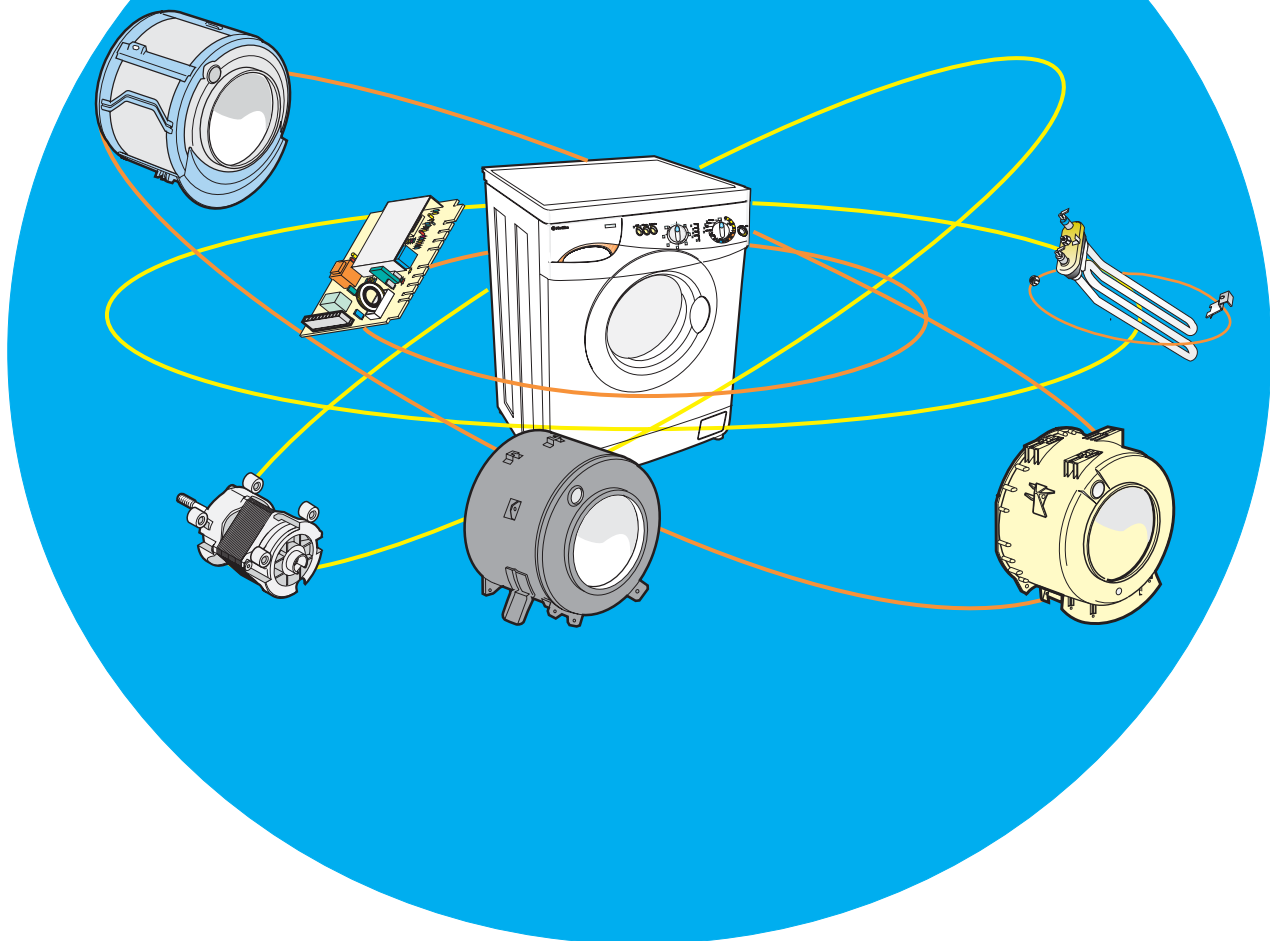


Service Manual



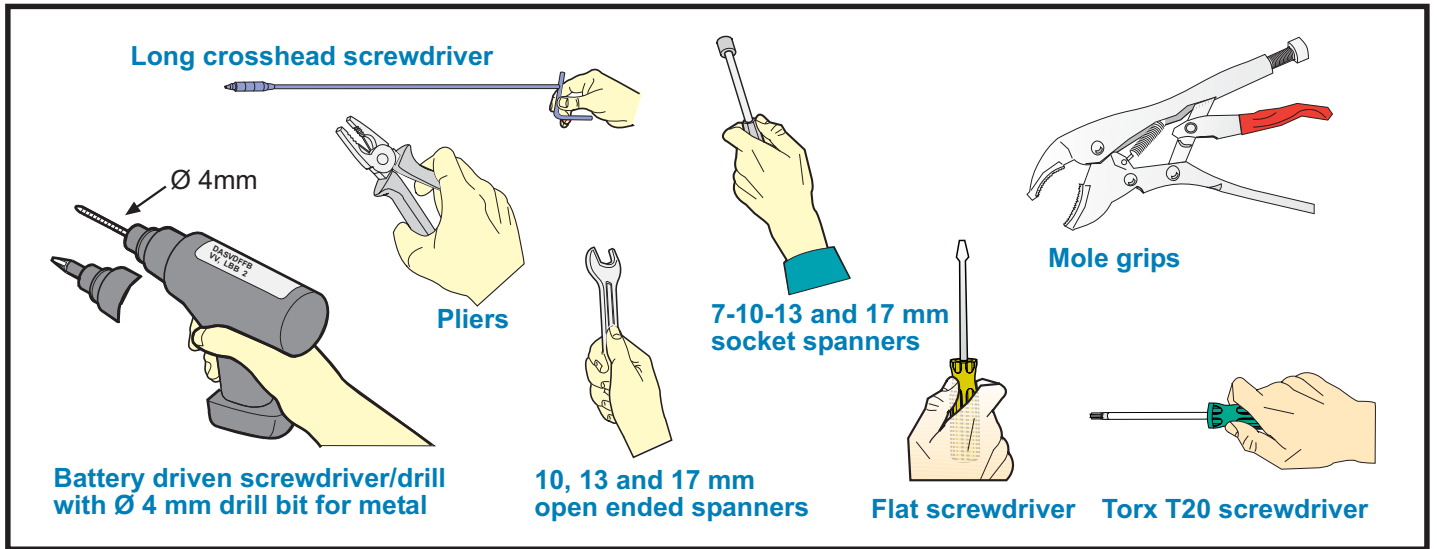
**Washing machines and Washer/dryers
65 litre – 7 kg Capacity front loaders
55 litre – 6 kg Capacity front loaders**

IMPORTANT

Remove the plug from the mains power supply when carrying out any operations on the machine.

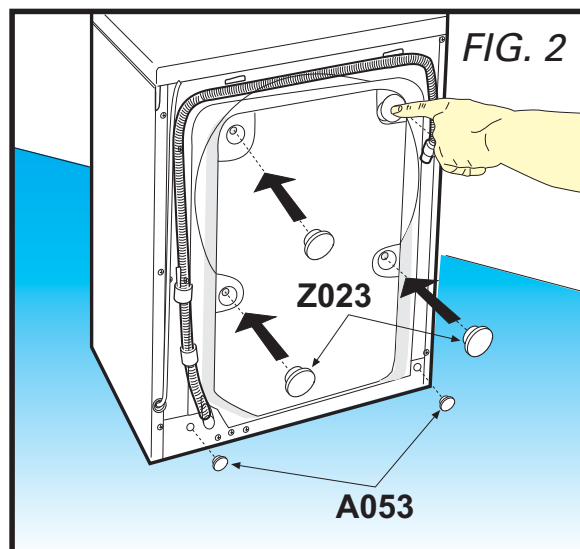
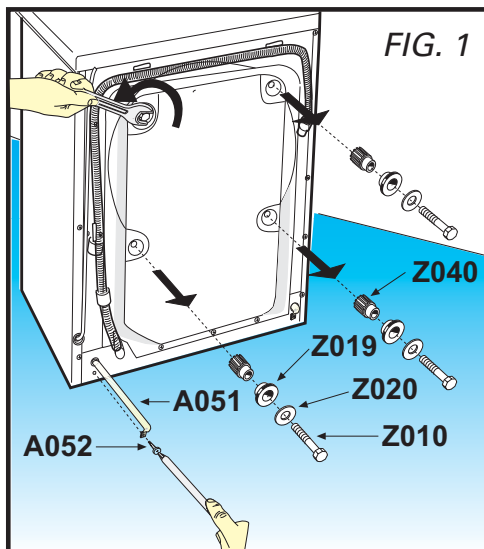
Removing the oscillating unit locking bolts		Page 03
Step 1	Removing the top cover (A020)	Page 04
Step 2	““ ““ the bottom panel (A001)	Page 04
Step 3	““ ““ the rear panel (A030)	Page 04
Step 4	““ ““ the door gasket (E020)	Page 05
Step 4	For Washer/dryer	
	Removing the door seal (E020)	Page 05
Step 5	““ ““ the door assembly	Page 06
Step 6	““ ““ door glass (E040) and/or door glass protection (E001)	Page 06
Step 7	““ ““ the door hinge (A040)	Page 06
Step 8	““ ““ the door handle assembly (E090)	Page 07
Step 9	““ ““ the door catch (E060)	Page 07
Step 10	Removing: - the power supply cable (D100) - power supply cable terminal block (D060), cable grommet (D070), pressure switch (D020) and wiring channel (D013)	Page 08
Step 11	Removing the cold water solenoid valve (D010) and/or the hot water solenoid valve (D300)	Page 09
Step 12	““ ““ the wash water heater element (G140)	Page 09
Step 13	Removing: - the drive belt (G170). - the wash motor (G130) - the driven pulley (G160)	Page 10
Step 14	““ ““ the thermistor (G005) and/or fixed thermostat (G560)	Page 10
Step 15	““ ““ the electronic wash control unit (A210) and support (A200)	Page 11
Step 16	Removing: - the electronic motor control unit (A044) - protection (A046) - the electronic control unit support (A045).	Page 11
Step 17	Removing: - the drain hose (F090) - the electric drain pump (F010) - the union (F080) between the electric pump (F010) and the filter body (F020) - the drain coupling (F070) between the tub and filter body (F020)	Page 12
Step 18	Removing the detergent dispenser (C010) and/or the detergent feed and steam discharge coupling (C060):	Page 13
Step 19	Removing: - the tub back plate (G550) - the drum paddles (G039) - the seal (G240) - the drum assembly (G530)	Page 14
Step 20	Replacing the tub (G030) For machines produced prior to week 29 year 2003	Page 15
Step 20	Replacing the tub (G030) For machines produced after week 29 year 2003	Page 16
Step 21	Removing the counterweight (G080)	Page 17
For Washer/dryer		
Step 22	Removing the long stem drying thermostat (H220)	Page 17
Step 23	Removing the manual reset drying thermostat (H370)	Page 17
Step 24	Removing: - the pulley (H013) - the air duct cover (H016) - the fan (H200)	Page 18
Step 25	Removing the dryer motor (H290) and pulley (H012)	Page 18
Step 26	Removing the heater element box assembly (H320), consisting of: - sound insulation (H140) - long stem thermostat fixing screw (H360) - fixing screw securing the duct to the tub (H300) - long stem thermostat fixing spring (H350) - long stem thermostat (H220) - thermostat with manual reset (H370)	Page 19
Step 27	Replacing the machine cabinet (A010)	Page 20
Step 28	Removing the detergent drawer (C030) from the Control Panel	Page 21
Step 29	““ ““ the detergent drawer (C030) or Control Panel handle (C040)	Page 21
Step 30	““ ““ switch (B040) from the Control Panel	Page 21
Step 31	““ ““ - the knob (where fitted) - the potentiometer (B003) - the adjustable thermostat (B030) - the timer (B430)	Page 22
Step 32	““ ““ the programmer knob	Page 22
Step 33	““ ““ the programmer (B020).	Page 23
Step 34	Removing the distribution rod (C200)	Page 23
Step 35	Removing the Control Panel (B010)	Page 23
	Table summarising the functions, symbols and switch labelling	Page 24

Tools necessary for dismantling the various parts of the appliance:



Removing the oscillating unit locking bolts:

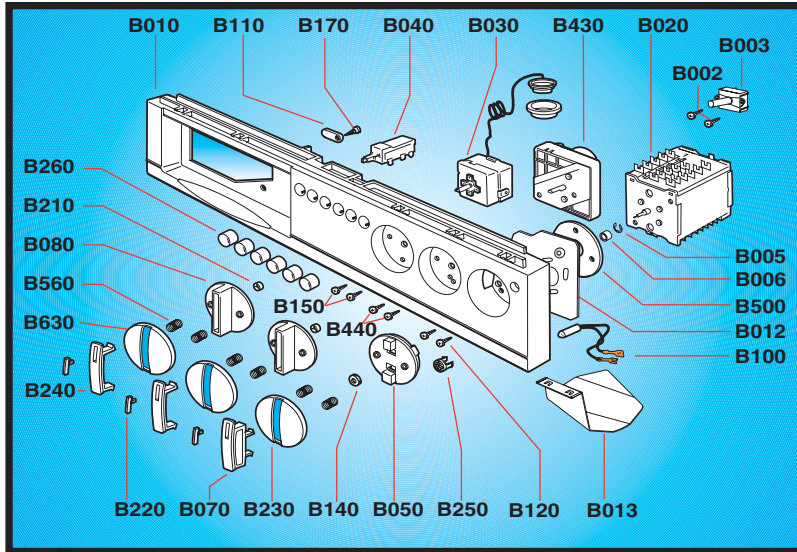
- Use a 10 mm spanner to remove the 4 hexagonal head fixing bolts (Z010), washers (Z020), rubber grommets (Z019) and spacers (Z040).
 - Block off the holes left by the 4 bolts using the plugs (Z023) supplied in the plastic envelope containing the machine documents.
 - Use a crosshead screwdriver to slacken the two screws (A052), remove the two locking pins (A051) of the oscillating unit and then block off the holes with the two plugs supplied (A053).
- NB: Store all these parts carefully as they will be useful when transporting the machine in the future.



IMPORTANT:

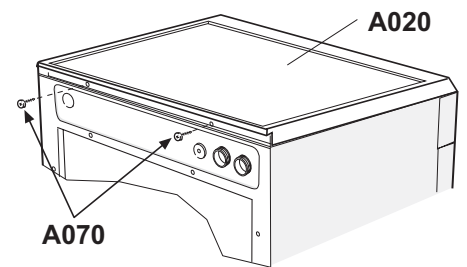
The washing machine used as a reference model for the compilation of this manual is the 65 litre version. Any maintenance operations referring to other versions have been written in blue. This Manual must be used together with all the other technical documents appertaining to the product itself (Exploded views, technical documents and any other technical information provided).

This manual refers to the replacement of a control panel on a washing machine or washer/drier that possesses all the components that may be used on models currently on the market. Furthermore, the illustrations and examples refer to a fictitious product.



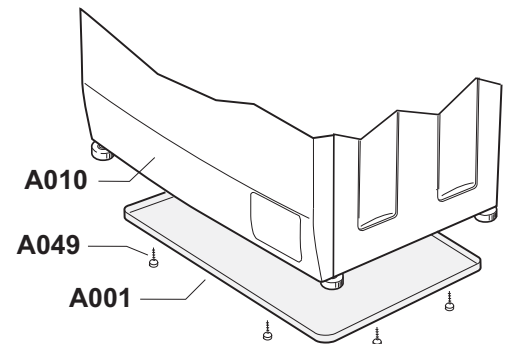
Step 1 Removing the top cover (A020):

- Remove the 2 fixing screws (A070) on the rear of the cover (A020).
- Lift the back part of the cover and push it forwards to remove it.
- To re-assemble, follow the same procedure in reverse order.



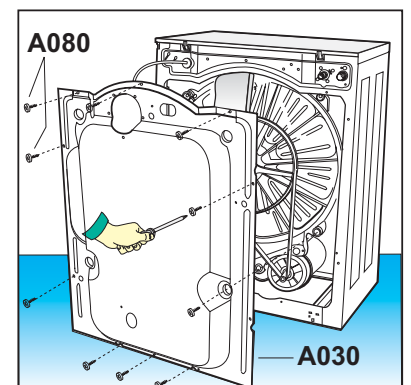
Step 2 Removing the bottom panel (A001):

- Lean the machine forwards and remove the eight screws (A049) securing the bottom panel (A001).
- To re-assemble, follow the same procedure in reverse order.



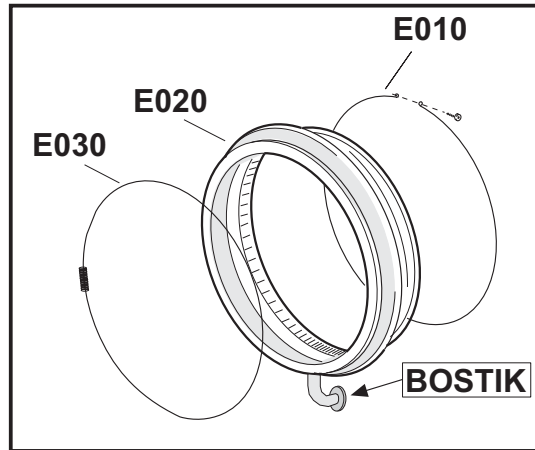
Step 3 Removing the rear panel (A030) from the appliance:

- Use a crosshead screwdriver to remove the 10 screws (A080) securing the rear panel.
- To re-assemble, follow the same procedure in reverse order.



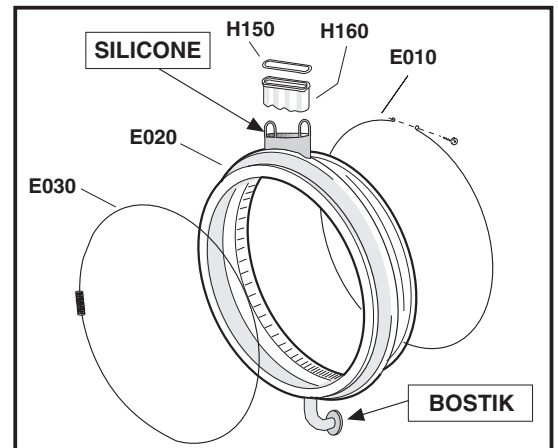
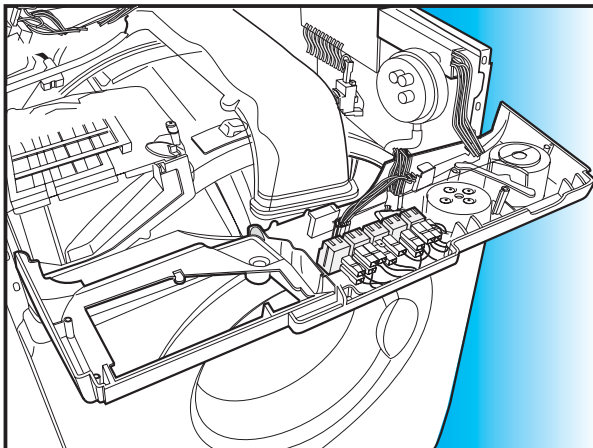
Step 4 Removing the door gasket (E020) from the WASHING MACHINE:

- Remove the top cover (**Step 1**).
- Open the door and remove the sprung clamp band (**E030**). Then release the door gasket (**E020**) from the front panel of the cabinet.
- From above, unscrew the inner sprung clamp band (**E010**) then carefully remove the door gasket from the tub. Note that the water drain pipe at the bottom must also be removed with the gasket. The drain pipe is held in position by a high-temperature water resistant sealant (**Bostik** type).
- To re-assemble, follow the same procedure in reverse order, taking care to clean any hardened sealant from the door gasket drain pipe housing.



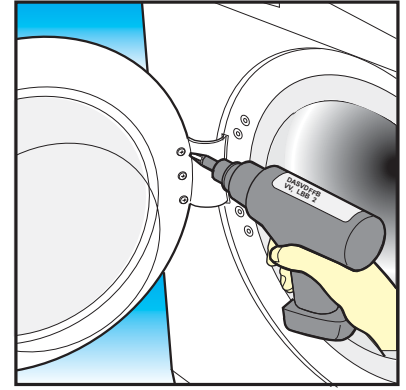
Step 4 For WASHER/DRYER Removing the door GASKET (E020)

- Remove the top cover (**Step 1**).
- Dismantle the control panel (**B010**) as shown in the diagram (see also **Step 35**).
- Open the door and remove the sprung clamp band (**E030**). Then release the door gasket (**E020**) from the front panel of the cabinet.
- Release the door gasket from the dryer burner box and remove it. Recover the black union (**H160**) and the retaining spring (**H150**).
- From above, unscrew the inner sprung clamp band (**E010**) then carefully remove the door gasket from the tub. Note that the water drain pipe at the bottom must also be removed with the gasket. The drain pipe is held in position by a high-temperature water resistant sealant (**Bostik** type).
- To re-assemble, follow the same procedure in reverse order, taking care to clean any hardened sealant from the door gasket drain pipe housing.
- Apply new high temperature water-resistant sealant (**Bostik** type) to the door gasket drain pipe.
- NB: the door gasket must be re-sealed onto the dryer element box using a high temperature and water resistant silicone.**



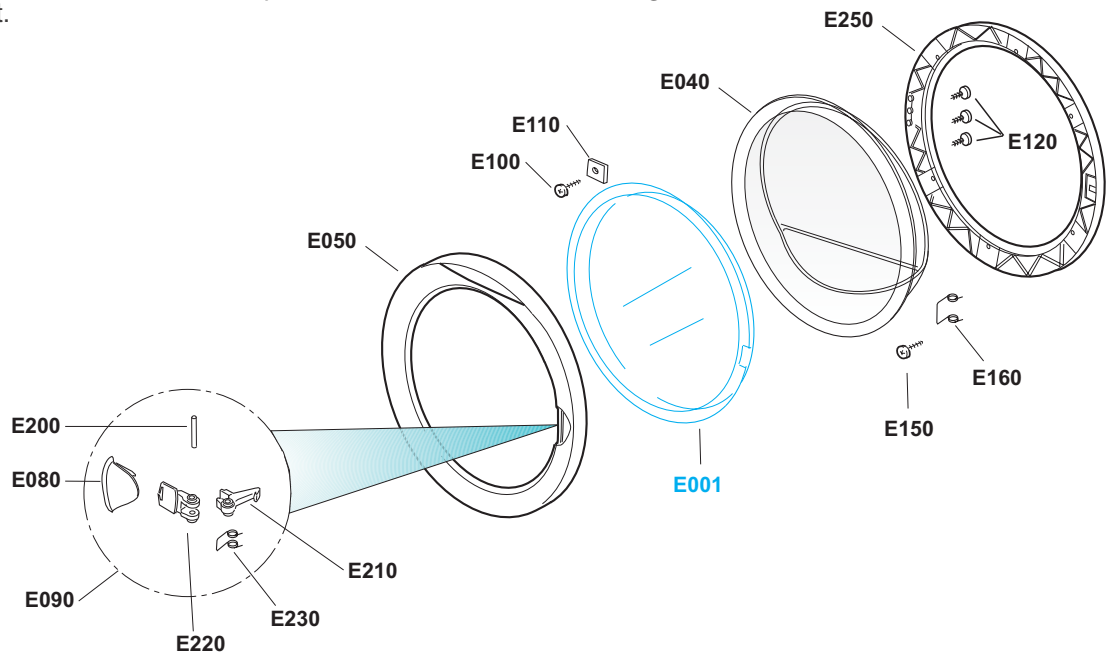
Step 5 Removing the door:

- Open the door and remove the three screws (E120) fixing the door to the hinge.
- To re-assemble, follow the same procedure in reverse order.



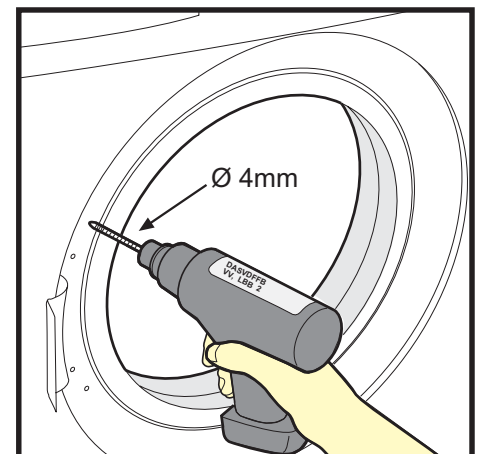
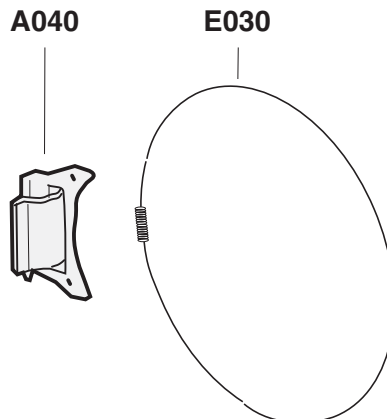
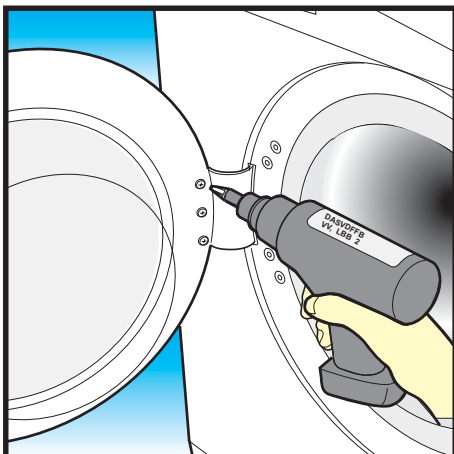
Step 6 Removing the door glass (E040) and/or door glass protection (E001) used only on WASHER/DRYERS:

- Remove the door handle assembly (E090) (Step 8).
- Unscrew the 6 screws (E100), remove the 6 glass clamping plates (E110) and then remove the glass and/or the door glass protection (E001) in the case of the WASHER/DRYER.
- To re-assemble, follow the same procedure in reverse order, taking care to assemble the handle (E080) last.



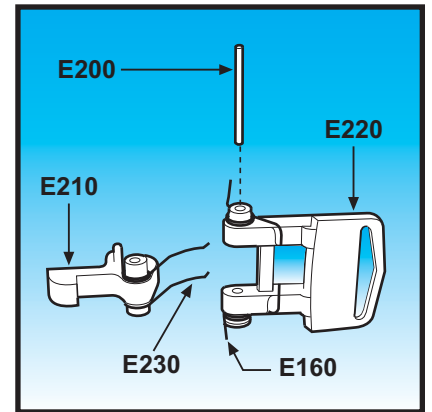
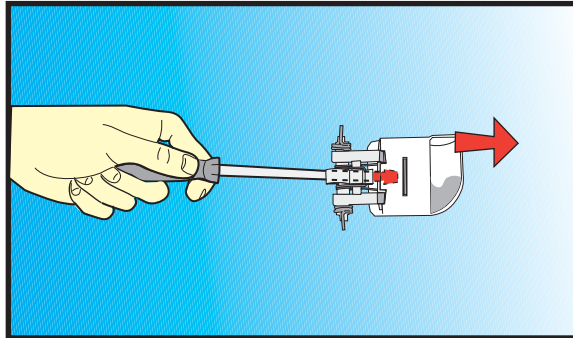
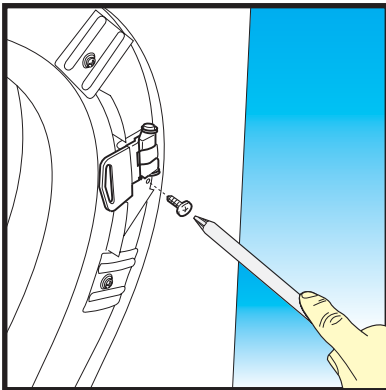
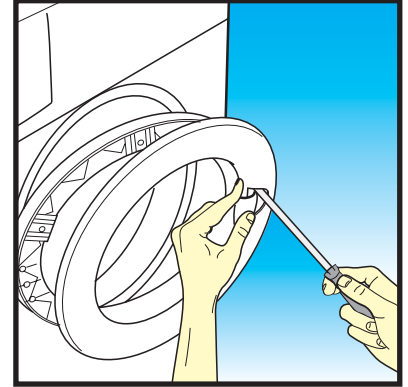
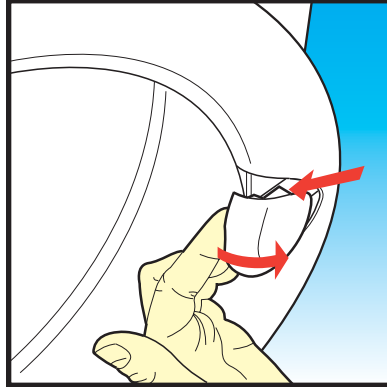
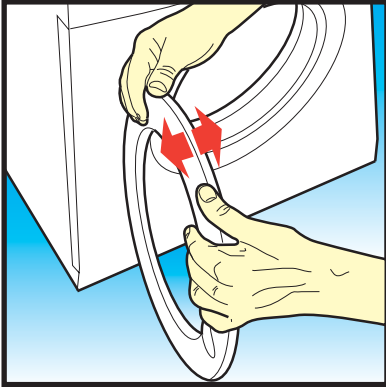
Step 7 Removing the door hinge (A040):

- Remove the door (Step 5).
- Remove the sprung clamp band (E030).
- Remove door gasket (hinge side) in order not to damage it during the next operation.
- Use a $\varnothing 4$ mm drill bit to drill out the 4 rivets securing the hinge to the cabinet, taking care not to damage the door seal.
- Extract the rivets from the front panel and remove the hinge.
- To re-assemble, follow the same procedure in reverse order.



Step 8 Removing the door handle (E090):

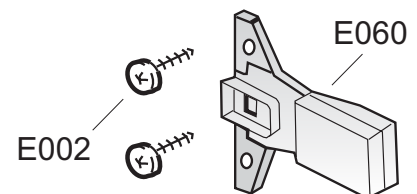
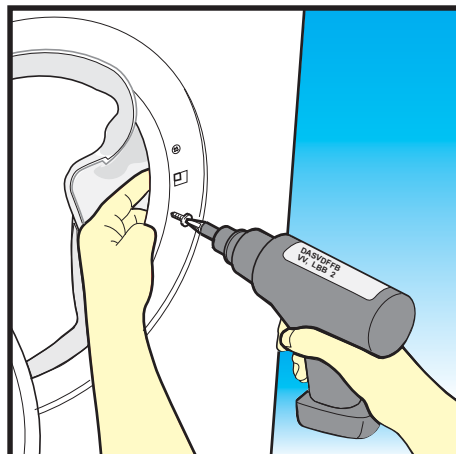
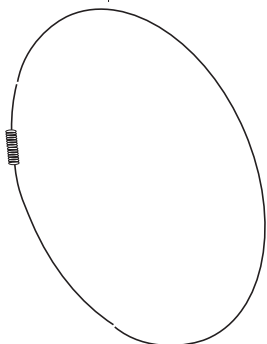
- (a) Open the appliance door.
- (b) Lever off the top part of the door surround using both hands to access the two screws (E150) securing the handle return spring (E160). Then remove the screws using a crosshead screwdriver.
- (c) Remove the spring (E160) noting its position, then extract the handle assembly.
- (d) To re-assemble, follow the same procedure in reverse order, taking care to assemble the handle (E080) last.



Step 9 Removing door catch (E060):

- (a) Open the door.
- (b) Remove the sprung clamp band (E030).
- (c) Remove the door gasket (E020) from the catch side of the door.
- (d) Remove the two fixing screws (E190) securing the latch plate (E070) and the door catch to the front panel.
- (e) Remove the green cable tie securing the wiring to the door catch.
- (f) Disconnect the wiring noting the positions of the wires.
- (g) To re-assemble, follow the same procedure in reverse order.

E030



Step 10

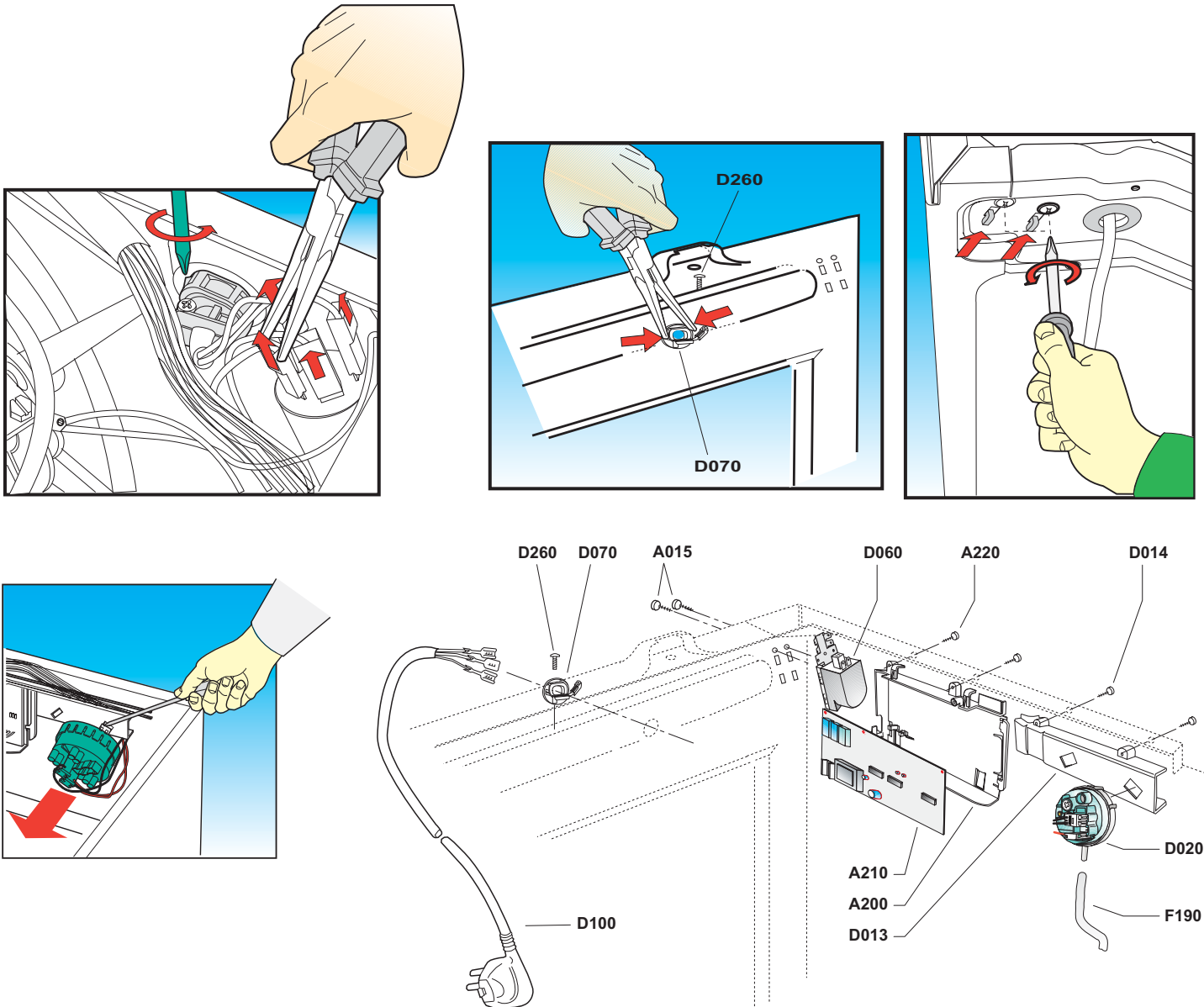
Removing and/or replacing:

- the power supply cable (D100)
- power supply cable terminal block (D060)
- the cable grommet (D070)
- the pressure switch (D020)
- the cable channel (A200)

The following operations are common to all five components:

Remove the top cover (**Step 1**).

- (a) To remove the **power supply cable (D100)**, simply disconnect the wires from the terminal block (**D060**), noting their positions. **Important:** the wires are clipped to the faston covers by pliers and removed by pulling straight out without twisting. It is also **important** not to pull on the wire as this will disturb the grip of the faston connector. Use a crosshead screwdriver to slacken screw (**D260**) of cable grommet (**D070**), then remove the cable (**D100**) from the outside.
- (b) To remove the terminal block (**D060**), disconnect the power supply cable (**D100**). Use a crosshead screwdriver to unscrew the two screws (**A015**) from the outside of the machine and remove it. To re-assemble, follow the same procedure in reverse order, taking care to insert the two radio suppressor lugs in their respective slots in the appliance cabinet.
- (c) To remove the **cable grommet (D070)**, remove the power cable, then close the expansion tabs from inside the machine and extract it outwards.
- (d) To remove the **pressure switch (D020)**, disconnect the wires, noting their positions, then remove the pressure switch which is force fitted into the cable channel (**D013**). Remove the air pipe (**F190**) by slackening clip (**D190**).
- (e) To remove the **cable channel (D013)**, slacken the two screws (**D014**) using a crosshead screwdriver. To re-assemble, follow the same procedure in reverse order.



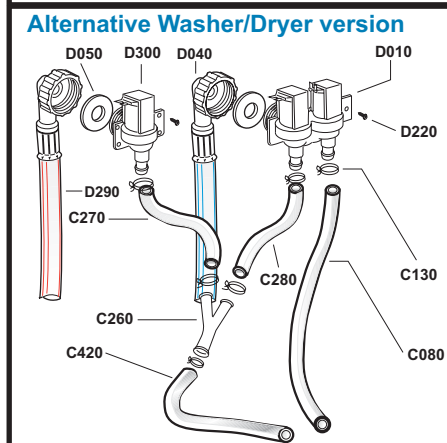
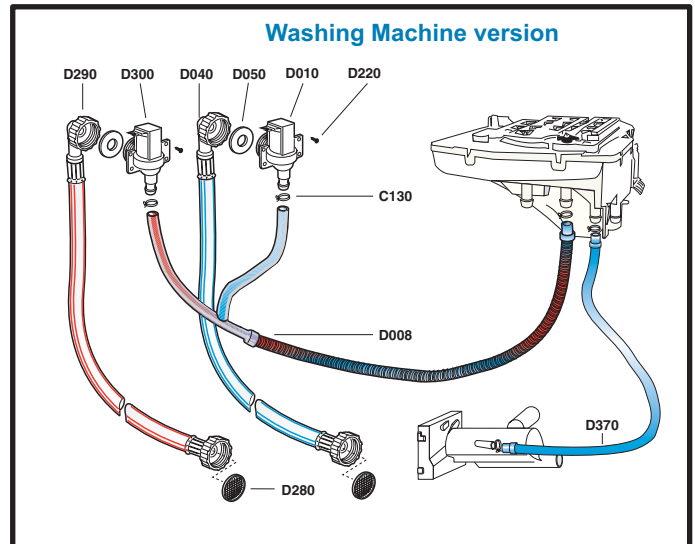
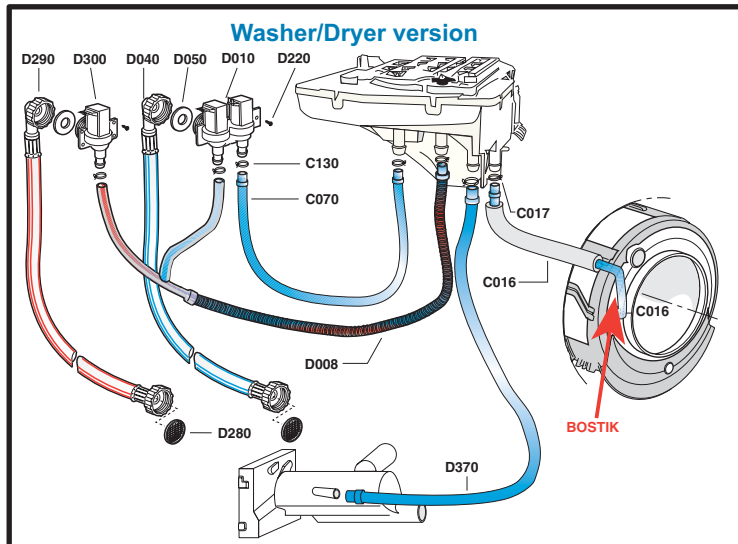
MAINTENANCE PROCEDURES

Step 11

Removing:

- cold water dual solenoid valve (D010) for WASHER/DRYER only.
- the single cold water solenoid valve (D010).
- the single hot water solenoid valve (D300) (where fitted).

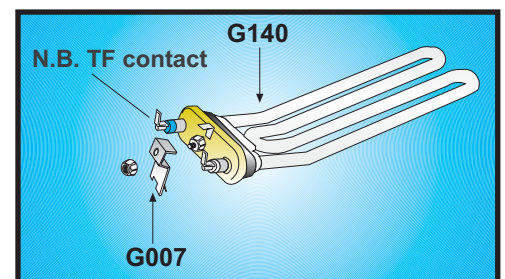
- Remove the top cover (**Step 1**).
- Disconnect the wiring.
- Remove the water feed hoses (D040) and (D290) with the respective washers (D050).
- Remove the hose clips (C130) and disconnect the internal hoses (D008) or (C270 and C280) and (C070) or (C080), noting their positions.
- Remove the screws (D220) securing the solenoid valve from the back of the cabinet.
- To re-assemble, follow the same procedure in reverse order, taking care not to invert the hoses.



Step 12

Removing and/or replacing the wash water heater element (G140):

- Remove the rear panel (**Step 3**).
- Disconnect the wiring, noting the position of each wire.
- Use a 10 mm socket spanner to unscrew the heater element fixing nut without removing it from the thread.
- Use a rubber headed mallet or similar to gently strike the nut and push the threaded rod into the body of the element, then remove it. If the element is difficult to remove, use a flat screwdriver as a lever between the slot in the tub and the element itself.
- To re-assemble, follow the same procedure in reverse order. Arrange the wiring so that none of the wires touch any moving parts of the appliance.

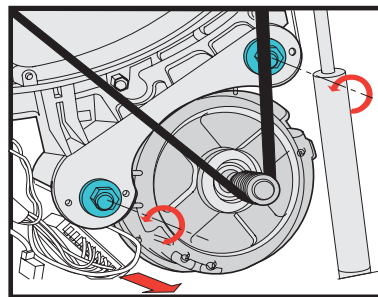
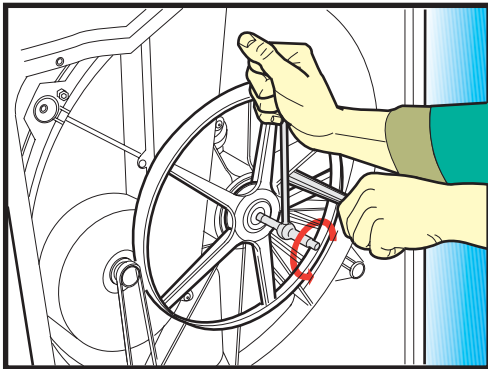
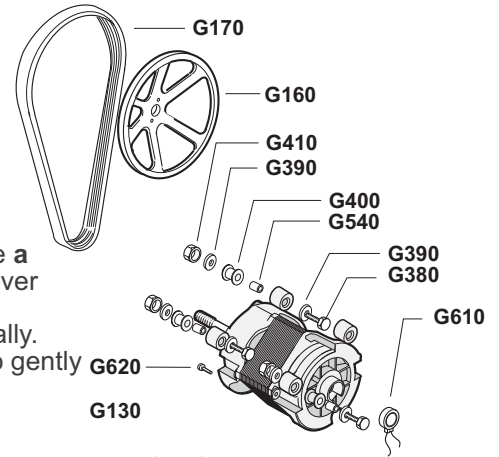


N.B.: The blue coloured contact of the heater element indicates the overheat fuse and corresponds to the wire market TF.

Step 13

Removing:
 - the drive belt (G170)
 - the driven pulley (G160)
 - the wash motor (G130)

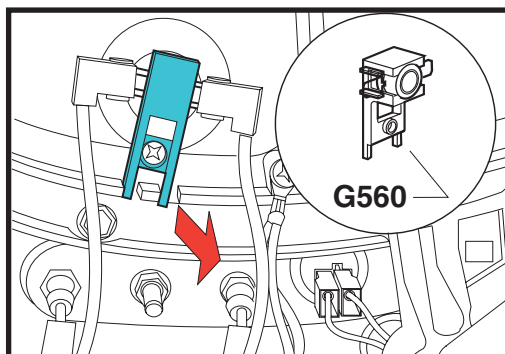
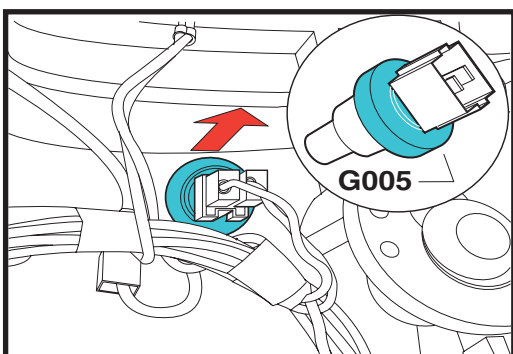
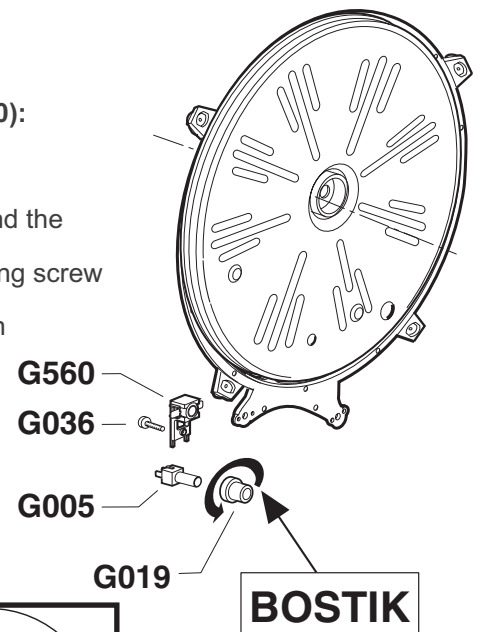
- Remove the rear panel (**Step 3**).
 - To remove the drive belt (G170), insert a tool between the belt and the pulley (G160), rotate the pulley clockwise and then remove the belt.
 - To remove the pulley (G160), place a flat spanner between the pulley and the bottom of the tub to stop it from rotating, then use a "6 mm Allen key" to unscrew screw (G029) anticlockwise, recover the washer (G580).
 - The pulley can normally be removed from the drum shaft manually. However, if this is not possible, use a rubber headed hammer to gently strike the shaft, and then remove the pulley.
 - Disconnect the motor terminal block and remove it. Remove the motor earth screw and then the earth wire.
 - Use a 13 mm socket spanner and a 13 mm open-ended spanner to remove the three screws (G380), the three fixing nuts (G410), the six washers (G390), the three spacers (G540) and the three bushes (G400)
 - To re-assemble, follow the same procedure in reverse order, preferably starting with the pin and then the other components.
- NB:** When refitting the motor, ensure that the earth screw is very tight in order to avoid earth continuity problems.



Step 14

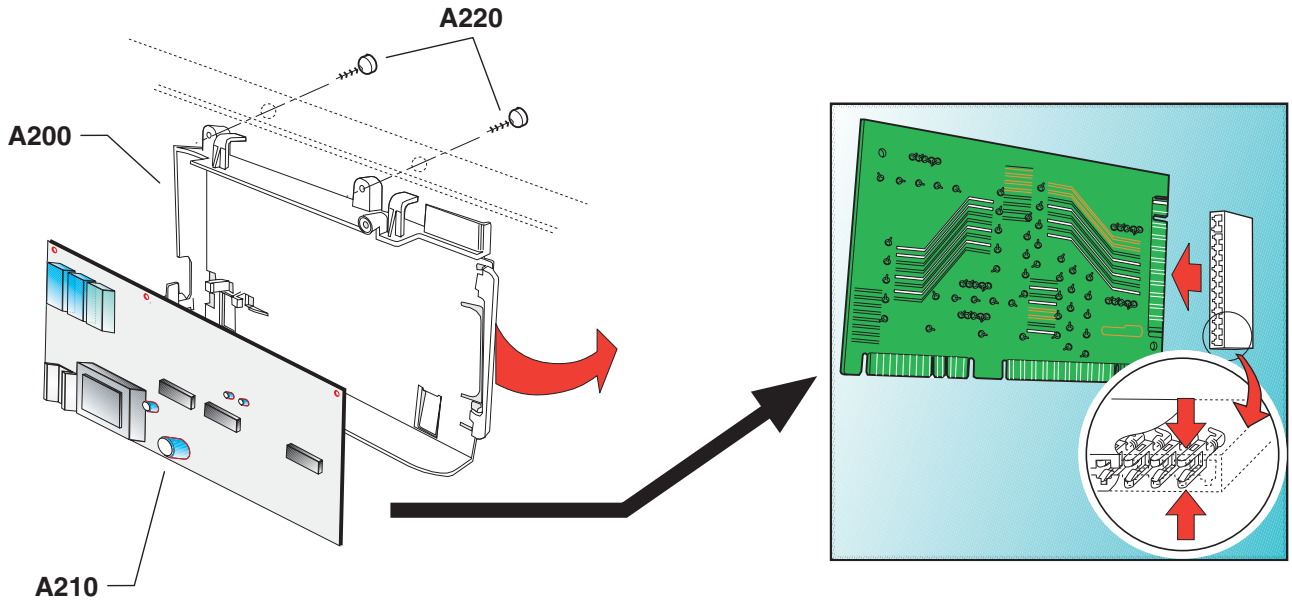
Removing the thermistor (G005) and/or fixed thermostat (G560):

- Remove the rear panel (**Step 3**).
- Disconnect the wiring, noting the position of each wire.
- Use a flat screwdriver as a lever between the thermistor (G005) and the gasket (G019) to remove the thermistor.
- Use a crosshead screwdriver to remove the thermostat (G560) fixing screw (G036) and then remove the thermostat.
- To re-assemble, follow the same procedure in reverse order. When reassembling, clean off any hardened sealant residues from the thermistor housing. Refit the thermistor with new high-temperature and water resistant sealant (**Bostik** type), spreading the sealant around the circumference of the capsule and avoiding the part in contact with water.



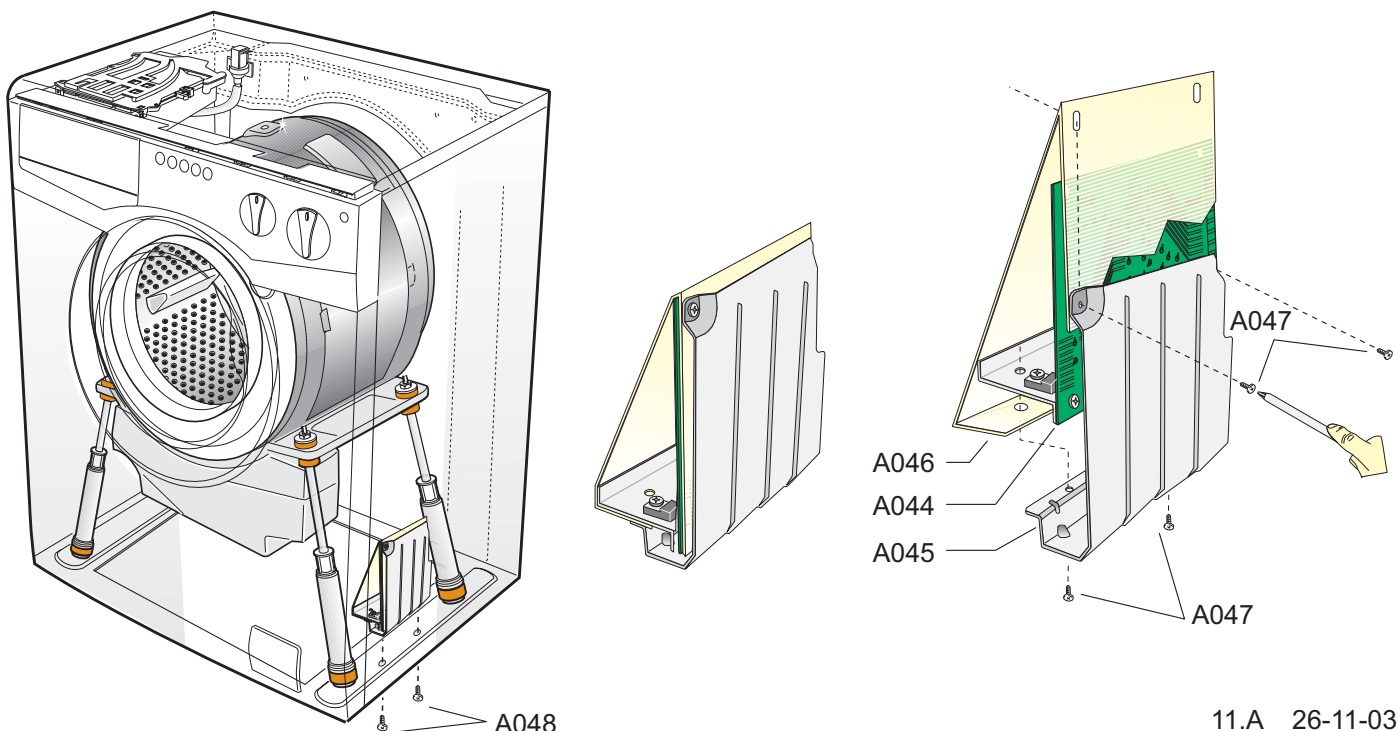
Step 15 Removing the electronic wash control unit (A210) and/or the electronic control unit support (A200):

- Remove the top cover (**Step 1**).
- To remove the electronic wash control unit (**A210**), release the control unit support locking device (**H200**) and gently remove it. Then disconnect the three electrical connectors.
- To remove the electronic control unit support (**A200**), use a crosshead screwdriver to remove the two screws (**A220**) securing the unit to the cabinet, and then gently remove the control unit.
- To re-assemble, follow the same procedure in reverse order, making sure that the connectors are tight in order to avoid false contacts.



Step 16 Removing the motor electronic control unit (A044), protection (A046) and electronic control unit support (A045):

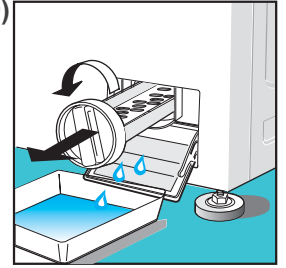
- Remove the rear panel (**Step 3**).
- Disconnect the two electric wire connectors from the electronic module (**A044**). Lean the machine forwards to remove the two fixing screws (**A048**) securing the unit to the cabinet, and then remove the entire assembly (control unit **A044** + protection **A046** + support **A045**).
- To dismantle these three parts, use a crosshead screwdriver to unscrew the four screws (**A047**).
- To re-assemble, follow the same procedure in reverse order, making sure that the connectors are tight in order to avoid false contacts.



Step 17

Removing:

- the drain hose (F090)
- the electric drain pump (F010)
- the union (F080) between the electric pump (F010) and the filter body (F020)
- the drain coupling (F070) between the tub and filter body (F020)



COMMON OPERATIONS:

- (a) Remove the rear panel (**Step 3**).
- (b) Use a shallow container capable of holding the approximately half a litre of water that remains in the filter at the end of the wash cycle.
- (c) Open the filter door, release the filter cap (F060) without removing it completely, then remove the filter.

Removing the drain hose (F090):

- (d) Use a pair of pliers to release hose clip (F150) and slide it towards the drain pump, then remove the hose.

Removing the electric drain pump (F010):

- (e) Disconnect the wiring.
Release hose clip (F100) and slide it onto the rubber union (F080). Remove rubber union (F080) from the electric pump (F010).
From the bottom of the machine, remove the two screws (F130) using a 10 mm socket. Remove the electric pump from its housing.

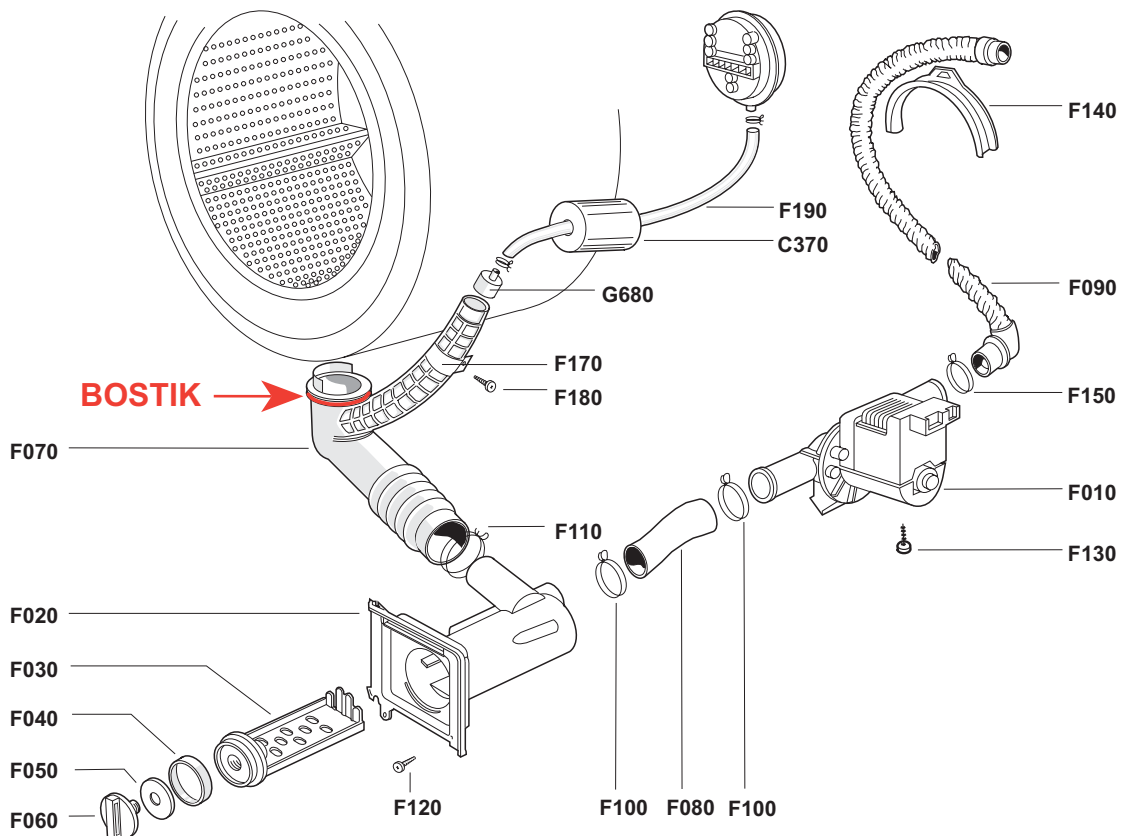
Removing union F080:

- (f) All the above operations (points a, b, c) must be carried out, except for the removal of the electric pump (F010) and drain hose (F090).
To remove union (F080), use a pair of pliers to slacken the two hose clips (F100),

Removing the drain coupling (F070):

- (g) Slacken the hose clip (F110) (filter body side - F020), then remove coupling (F070) from the tub.
Remove fixing screw (F180) securing coupling (F170) to the tub. Recover the pressure switch hose connector (G680).
Clean any hardened sealant from the drain hole in the tub.

- (h) To re-assemble, follow the same procedure in reverse order, taking care to apply new sealant (BOSTIK type) between the coupling (F070) and the hole in the tub.

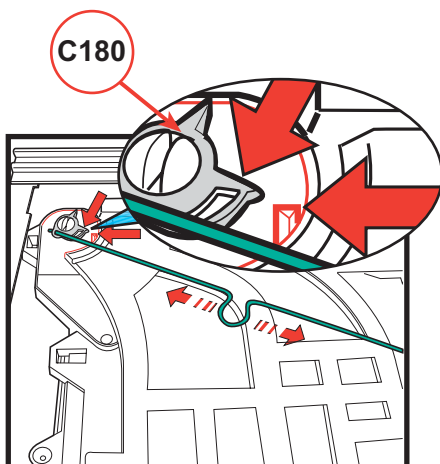
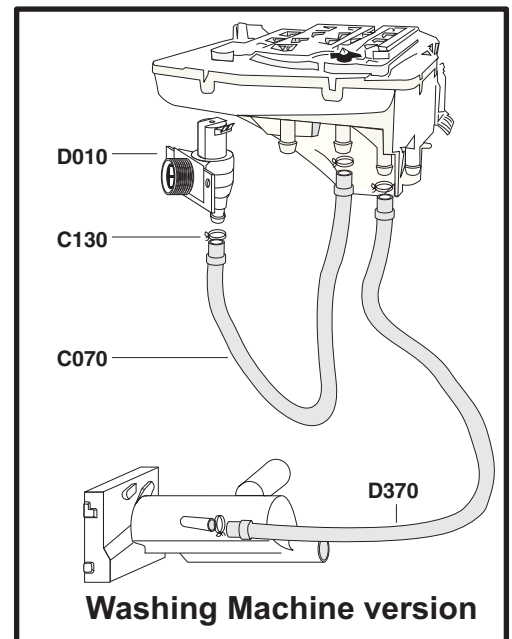
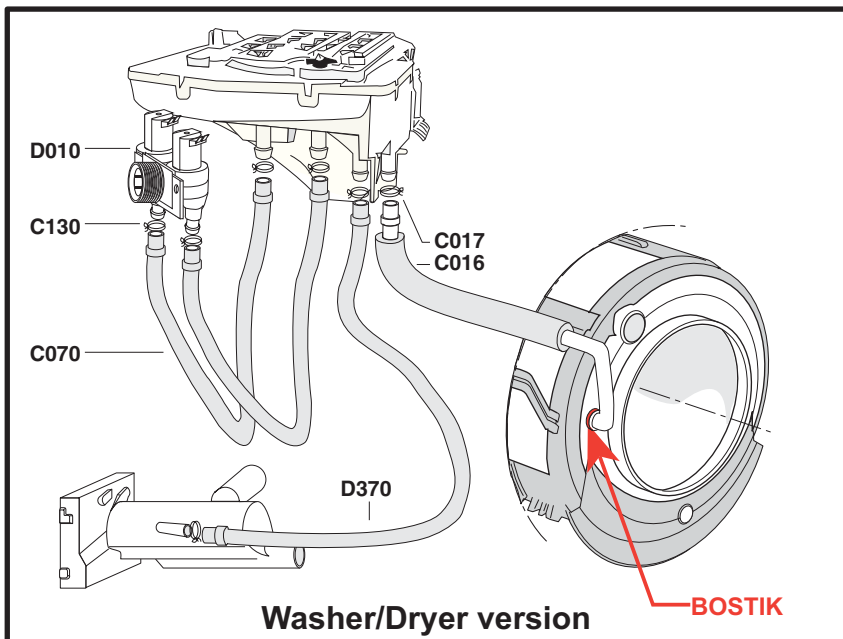
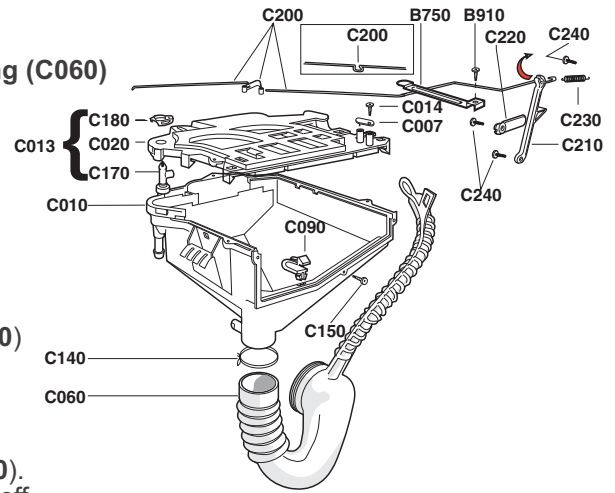


Step 18

Removing:

- the detergent dispenser (C010)
- the detergent feed and steam discharge coupling (C060)

- (a) Remove the top cover (**Step 1**).
 - (b) Remove the detergent drawer (C030) (**Step 28**).
 - (c) Disconnect the dispenser linkage rod (C200) from the linkage lever (C210) at one end and from the dispenser (C180) at the other.
 - (d) Remove the three steel screws (C150) securing the dispenser (C010) to the front panel (B010).
 - (e) Remove the dispenser from its housing and then release the feed and steam discharge coupling (C060) from the right hand side of the dispenser top (C013).
 - (f) Remove the detergent dispenser from the top.
 - (g) Use a pair of pliers to remove the spring clip (C140) securing the detergent feed and steam discharge coupling (C060) to the bottom of the dispenser (C010).
 - (h) Remove the coupling (C060) from the tub and clean off any sealant from around the hole.
 - (i) **For Washer/dryer:** Remove the hose clips (C130) and (C017) and disconnect the internal hoses (C015), where fitted, (C070) (C016) (D008) noting their positions. Then disconnect them from the detergent dispenser.
 - (i) **For Washing Machine:** Remove the hose clips (C130) and disconnect the internal hoses (D370) and (D008) noting their positions. Then disconnect them from the detergent dispenser.
 - (j) To re-assemble, follow the same procedure in reverse order, taking care to apply new sealant (BOSTIK type) between the coupling and the hole in the tub. Make sure that the reference mark on the dispenser linkage (C180) is perfectly aligned with the reference mark on the top of the detergent dispenser (C020).
- NB:** This operation must be carried out with the timer knob in a wash position (not pre-wash).
Screws C150 fixing the front panel to the detergent dispenser must be screwed in gently using manual screwdriver to prevent stripping the threads in the detergent dispenser holes.



Step 19

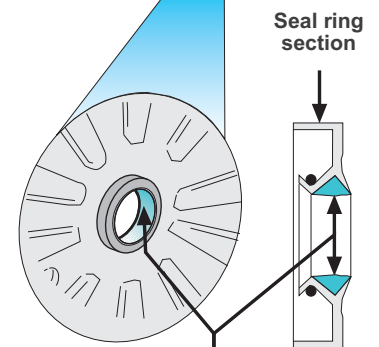
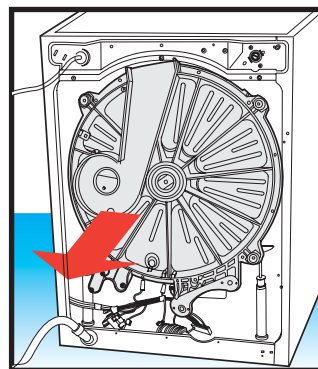
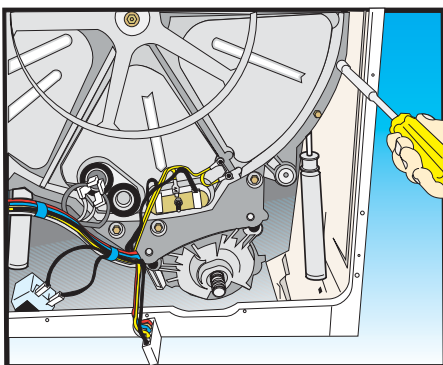
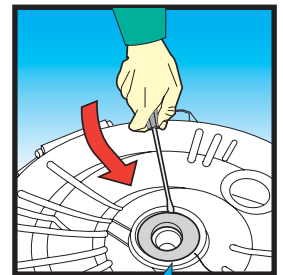
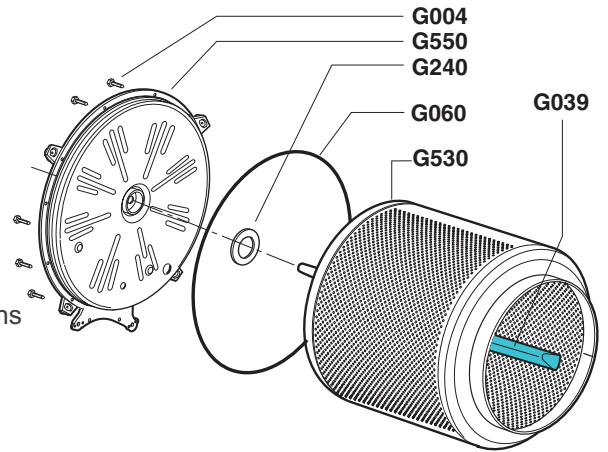
Removing:

- the tub back plate (G550)
- the drum paddles (G039)
- the seal (G240)
- the drum assembly (G530)

- (a) Remove the rear panel (Step 3).
- (b) Remove the drive belt (G170) and main motor (G130) (Step 13).
- (c) Remove the electrical wiring and earthing system, together with the respective screws, noting the positions of the wires.
- (d) Remove fixed thermostat (G560) (Step 14).

For Washer/dryer:

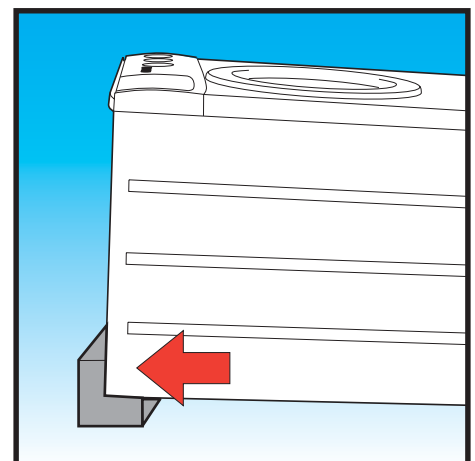
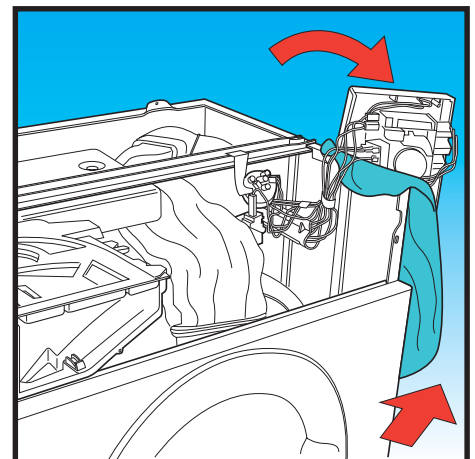
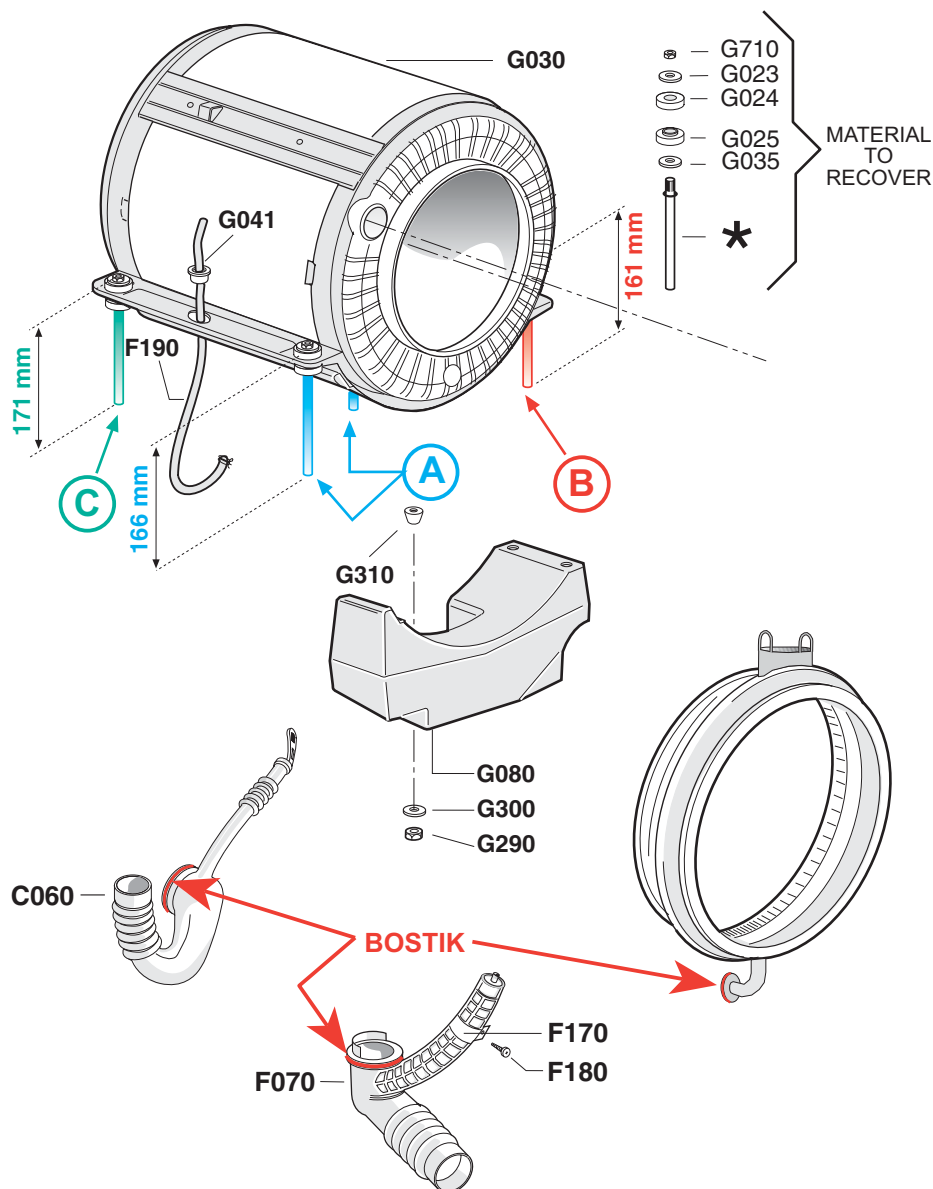
- (e) Remove the air duct cover (H016) (Step 24)
- (f) Remove the dryer motor (H290) (Step 25).
- (g) Use a 10 mm socket to remove the twelve screws (G004) and gasket (G060), then remove the back plate (G550).
- (h) If necessary, at this point, replace the drum paddles (G039).
- (i) To replace the seal (G240), separate the tub back plate (G550) from the drum by hitting the shaft gently using a rubber headed hammer. Use a flat screwdriver to remove the seal (G240) from the tub back plate.
- (j) To re-assemble, follow the same procedure in reverse order, taking care to reinstate the water repellent grease in the seal (G240).



GREASE	
Supplier:	KLÜBER
Type:	AMBYGON TA 15.2
Supplier Code:	547357
Quantity:	3 grams

Step 20 Replacing the tub (G030):

- (a) Remove the top cover (Step 1).
- (b) Remove the rear panel (Step 3).
- (c) Remove the door gasket (E020) (Step 4).
- (d) Remove the detergent drawer (Step 28) and detergent dispenser (Step 18).
- (e) Remove the front panel (Step 35) without removing the electrical components, buttons, knobs and move it to one side (see drawing)
- (f) Remove the two fixing screws (A220) securing the electronic control unit support (A200) to the cabinet (Step 16) without removing the electronic wash control unit (A210).
- (g) Disconnect the wiring from the main motor, the heater element, fixed thermostat (G560), thermistor (G005), solenoid valves (D010) and (D300), the dryer heater element box (for Washer/dryer). Note the positions of the wires.
- (h) Disconnect the earth system from the tub by removing the relative screws.
- (i) Remove the pressure switch (D020) (Step 10).
- (j) Use a 7 mm socket spanner to remove the hose clip (F110) in order to disconnect the pressure switch chamber rubber coupling (F070) from the filter body (F020).
- (k) Remove the twelve screws (G004) securing the tub back plate (G550) and remove it (Step 19) together with the drum assembly (G530).
- (l) Lie the machine on its back on a protective blanket or similar.
Slide the tub (G030) out of the top of the cabinet.
Recover the four different length studs (n°2=A), (n°1=B), (n°1=C) together with their rubbers, nuts and washers, noting their positions.
Recover the pressure switch hose (F190) and grommet (G041),
Recover the counterweight (G080), the four plugs (G310), the four washers (G300) and four nuts (G290)
- (m) To re-assemble, follow the same procedure in reverse order, taking care to apply BOSTIK type sealant between the tub and the various rubber unions (see drawing) and a temperature and water resistant silicone where required in the case of the Washer/Dryer.

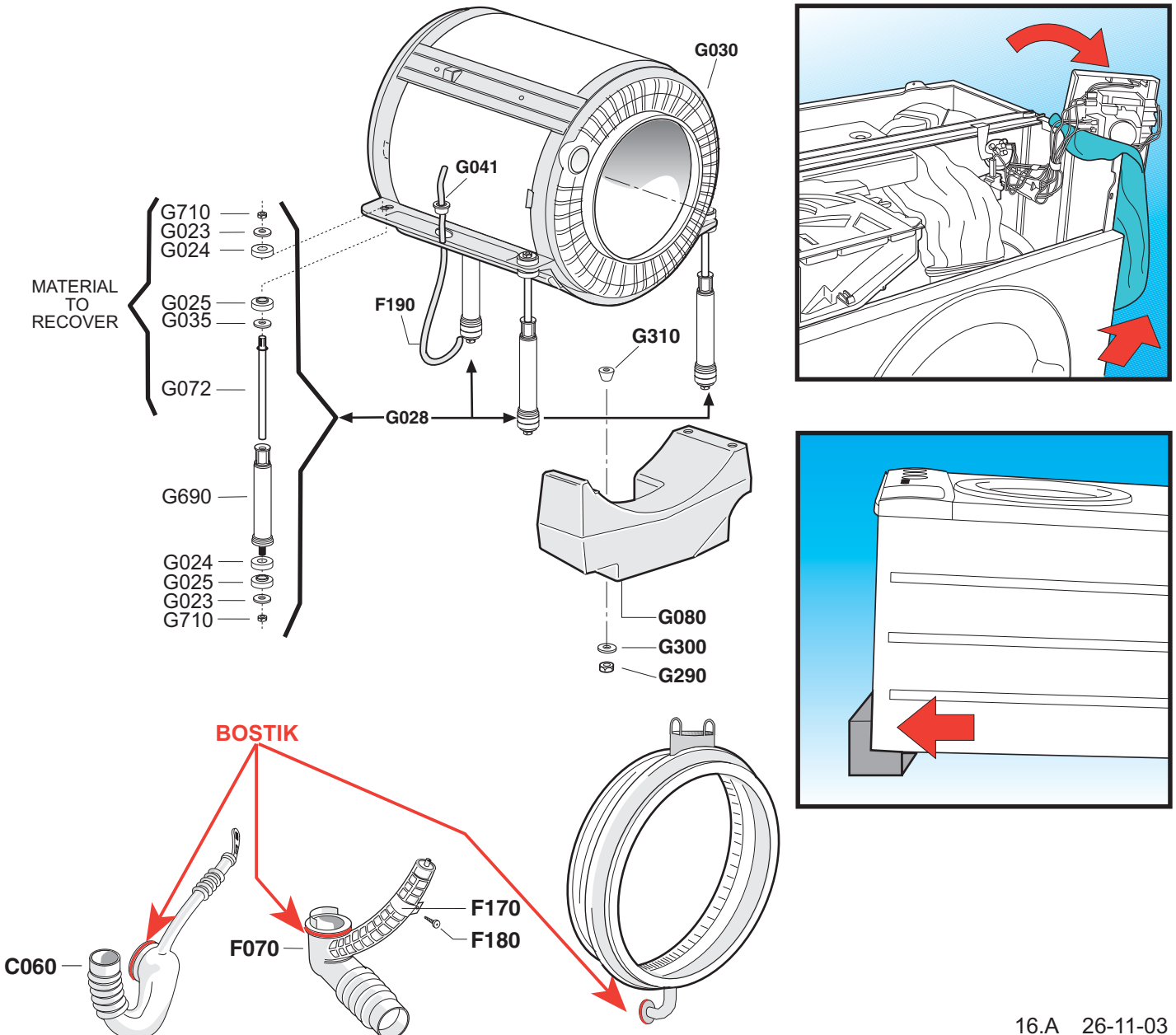


MAINTENANCE PROCEDURES

For Appliances produced after week 29 of 2003

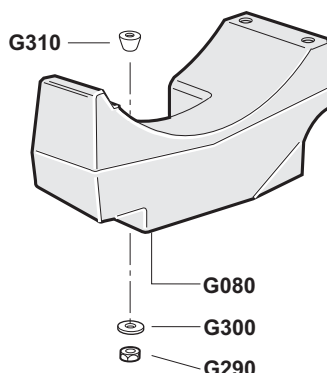
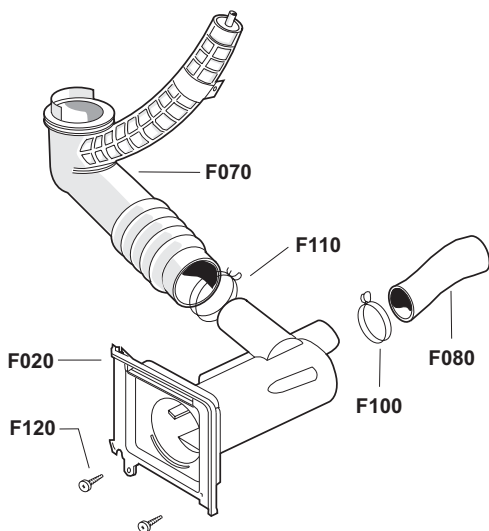
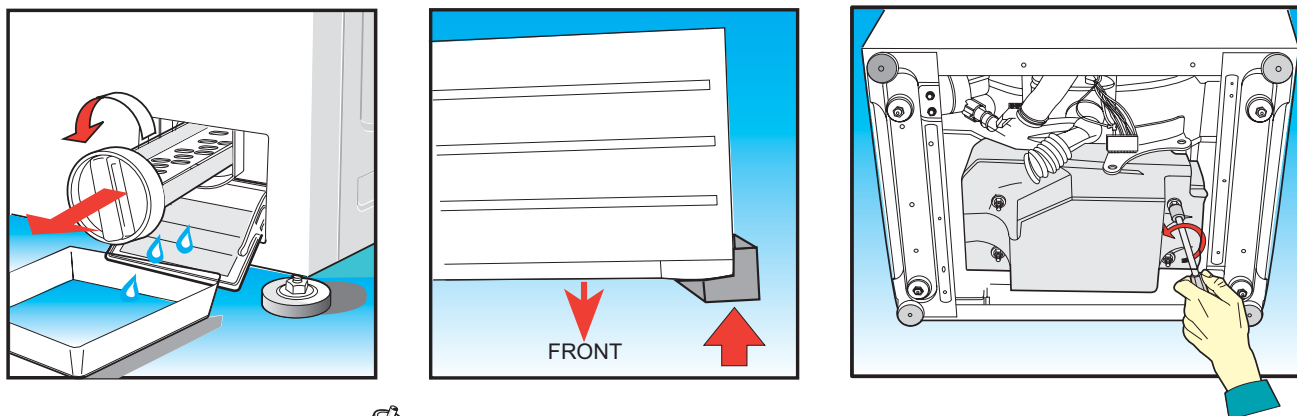
Step 20 Replacing the tub (G030):

- (a) Remove the top cover (**Step 1**).
- (b) Remove the rear panel (**Step 3**).
- (c) Remove the door gasket (**E020**) (**Step 4**).
- (d) Remove the detergent drawer (**Step 28**) and detergent dispenser (**Step 18**).
- (e) Remove the control panel (**Step 35**) without removing the electrical components, buttons, knobs and move it to one side (see drawing)
- (f) Remove the two fixing screws (**A220**) securing the electronic control unit support (**A200**) to the cabinet (**Step 16**) without removing the electronic wash control unit (**A210**).
- (g) Disconnect the wiring from the main motor, the heater element, fixed thermostat (**G560**), thermistor (**G005**), solenoid valves (**D010**) and (**D300**), the dryer heater element box (**For Washer/dryer**). Note the positions of the wires.
- (h) Disconnect the earth system from the tub by removing the relative screws.
- (i) Remove the water pressure switch (**D020**) (**Step 10**).
- (j) Use a 7 mm socket spanner to remove the hose clip (**F110**) in order to disconnect the pressure switch chamber rubber coupling (**F070**) from the filter body (**F020**).
- (k) Remove the twelve screws (**G004**) securing the tub back plate (**G550**) and remove it (**Step 19**) together with the drum assembly (**G530**).
- (l) Lie the machine on its back on a protective blanket or similar. Slide the tub (**G030**) out of the top of the cabinet. Recover the 4 studs together with their rubbers, nuts and washers. Recover the pressure switch hose (**F190**) and grommet (**G041**), recover the counterweight (**G080**), the four plugs (**G310**), the four washers (**G300**) and four nuts (**G290**).
- (m) To re-assemble, follow the same procedure in reverse order, taking care to apply **BOSTIK** type sealant between the tub and the various rubber unions (see drawing) and a temperature and water resistant silicone where required in the case of the Washer/Dryer.



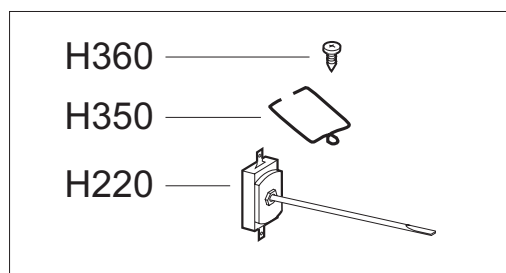
Step 21 Removing the counterweight (G080):

- (a) Remove the rear panel (Step 3).
- (b) Remove the main motor (Step 13).
- (c) Use a shallow container capable of holding the approximately half a litre of water that remains in the filter at the end of the wash cycle.
- (d) Open the filter door, release the filter cap (F060) without removing it completely, then remove the filter.
- (e) Use a crosshead screwdriver to remove the two screws (F120) securing the filter body (F020) to the cabinet.
- (f) Lie the machine on its front on a blanket or similar.
- (g) Remove the bottom panel (A001) (Step 2).
- (h) Remove the filter body (F020) from its housing by disconnecting it from union (F070).
- (i) Use a 10 mm socket to remove the four nuts (G290) and four washers (G300), then remove the counterweight and recover the plugs (G310).
- (j) To re-assemble, follow the same procedure in reverse order.



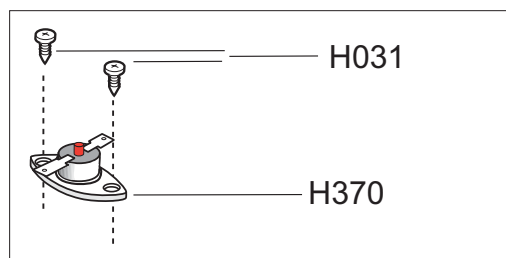
Step 22 **FOR WASHER/DRYER ONLY**
Removing and/or replacing the long stem (150°C) drying thermostat (H220):

- (a) Remove the top cover (Step 1).
- (b) Use a cross-head screwdriver to remove screw (H360) securing spring (H350). Then remove the long stem thermostat (H220) from its housing.
- (c) Disconnect the wiring.
To re-assemble, follow the same procedure in reverse order, applying **new high-temperature water resistant silicone** to replace the old.



Step 23 **FOR WASHER/DRYER ONLY**
Removing and/or replacing the manual reset (170°C) drying thermostat (H370):

- (a) Remove the top cover (Step 1).
- (b) Use a crosshead screwdriver to remove the two screws (H031), then remove the thermostat from its housing.
- (c) Disconnect the wiring.
To re-assemble, follow the same procedure in reverse order.



Step 24

FOR WASHER/DRYER ONLY

Removing:

- the dryer fan pulley (H013)
- the air duct cover (H016)
- the fan (H200)

- (a) Remove the top cover (Step 1).
- (b) Remove the rear panel (Step 3).
- (c) Remove the drive belt by hand (H014).

To remove the pulley (H013):

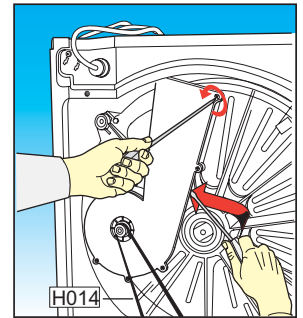
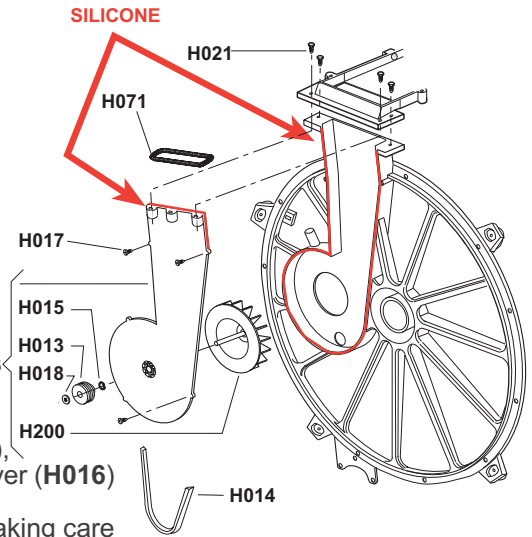
- (d) Use a flat screwdriver to remove the locking washer (H018), then use an extractor to remove the dryer fan pulley (H013). To re-assemble, follow the same procedure in reverse order, ensuring that the pulley reaches the full extent of its travel.

To remove the air duct cover (H016):

- (e) Remove the eight screws (H017) using a crosshead screwdriver.
- (f) Use a 7 mm spanner to remove two of the four screws (H021), then use a flat screwdriver to gently lever between the duct cover (H016) and the tub spider. To re-assemble, follow the same procedure in reverse order, taking care to apply new **high-temperature water resistant silicone** to replace the old.

To remove the fan (H200):

- (g) Remove the air duct cover assembly (H016). This can be done by gently hitting the fan shaft with a hammer. To re-assemble, follow the same procedure in reverse order.



Step 25

FOR WASHER/DRYER ONLY

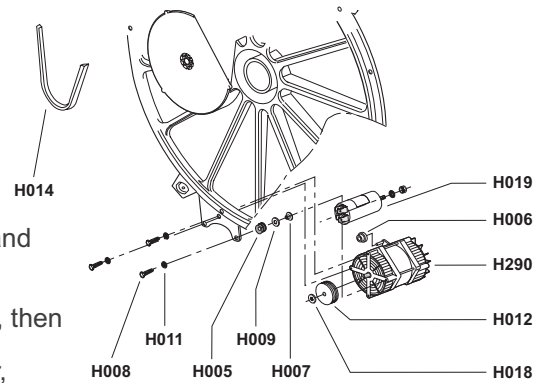
Removing:

- the dryer motor (H290)
- the pulley (H012)

- (a) Remove the rear panel (Step 3).
- (b) Remove the drive belt (H014).
- (c) Disconnect the electric terminal block from the dryer motor (H290).
- (d) Use a 7 mm socket to remove the three screws (H008) and three washers (H011). Then release the back of the motor and recover the bush (H006).

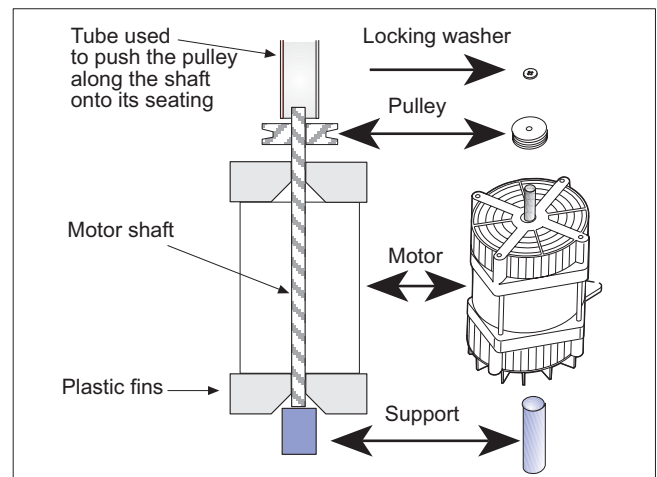
To remove the pulley (H012):

- (e) Use a flat screwdriver to remove the locking washer (H018), then use an extractor to remove the dryer fan pulley (H012). To re-assemble, follow the same procedure in reverse order, ensuring that the pulley reaches the full extent of its travel.



IMPORTANT

To refit the pulley H012: stand the motor vertically on its end opposite the pulley. Rest the shaft on a hard protruding surface to prevent it sliding back and in order not to damage the plastic fins of the motor. Position the pulley on the motor shaft using a light hammer. It is recommended that a tube is used to hammer the pulley into place, as shown in the figure. The tube should have an internal diameter that fits over the shaft and a suitable length for correctly positioning the pulley.



Step 26

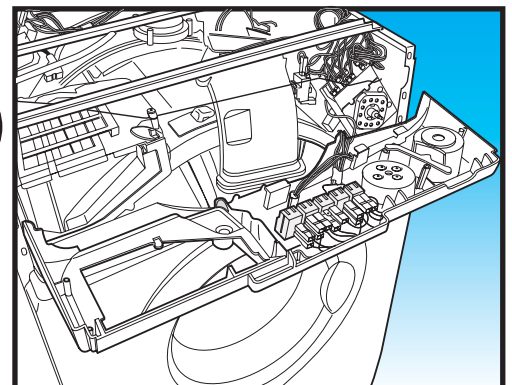
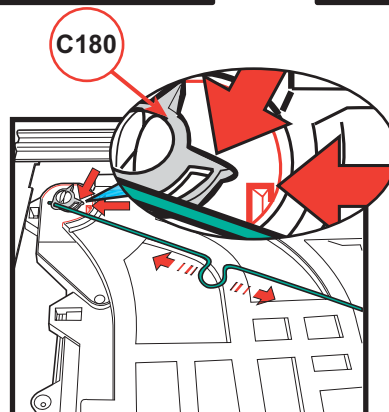
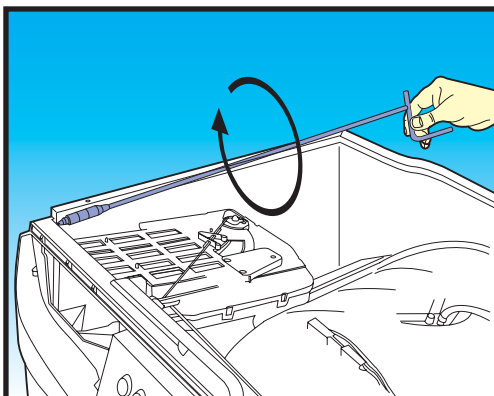
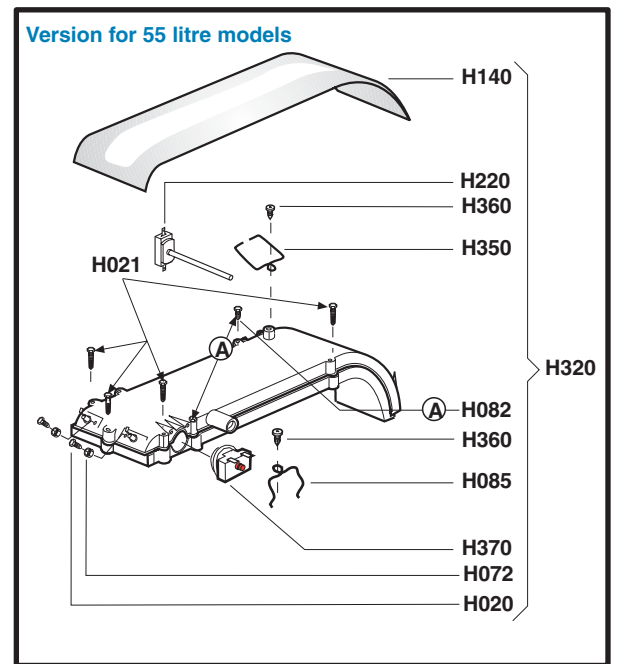
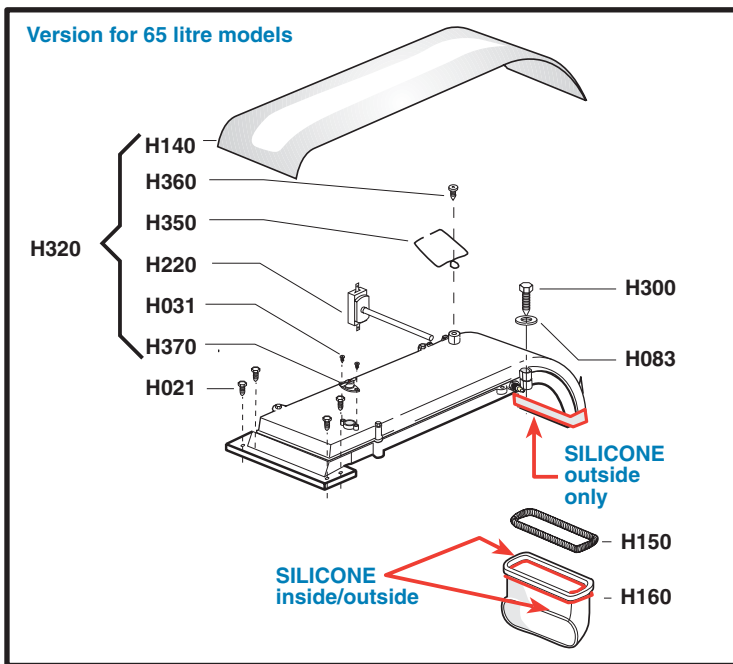
For Washer/drier only:

Removing the heater element box assembly (H320), consisting of:

- sound insulation (H140)
- heater element fixing nut (H072)
- long stem thermostat fixing screw (H360)
- fixing screw securing the duct to the tub (H300)
- long stem thermostat fixing spring (H350)
- long stem thermostat (H220)
- thermostat with manual reset (H370)

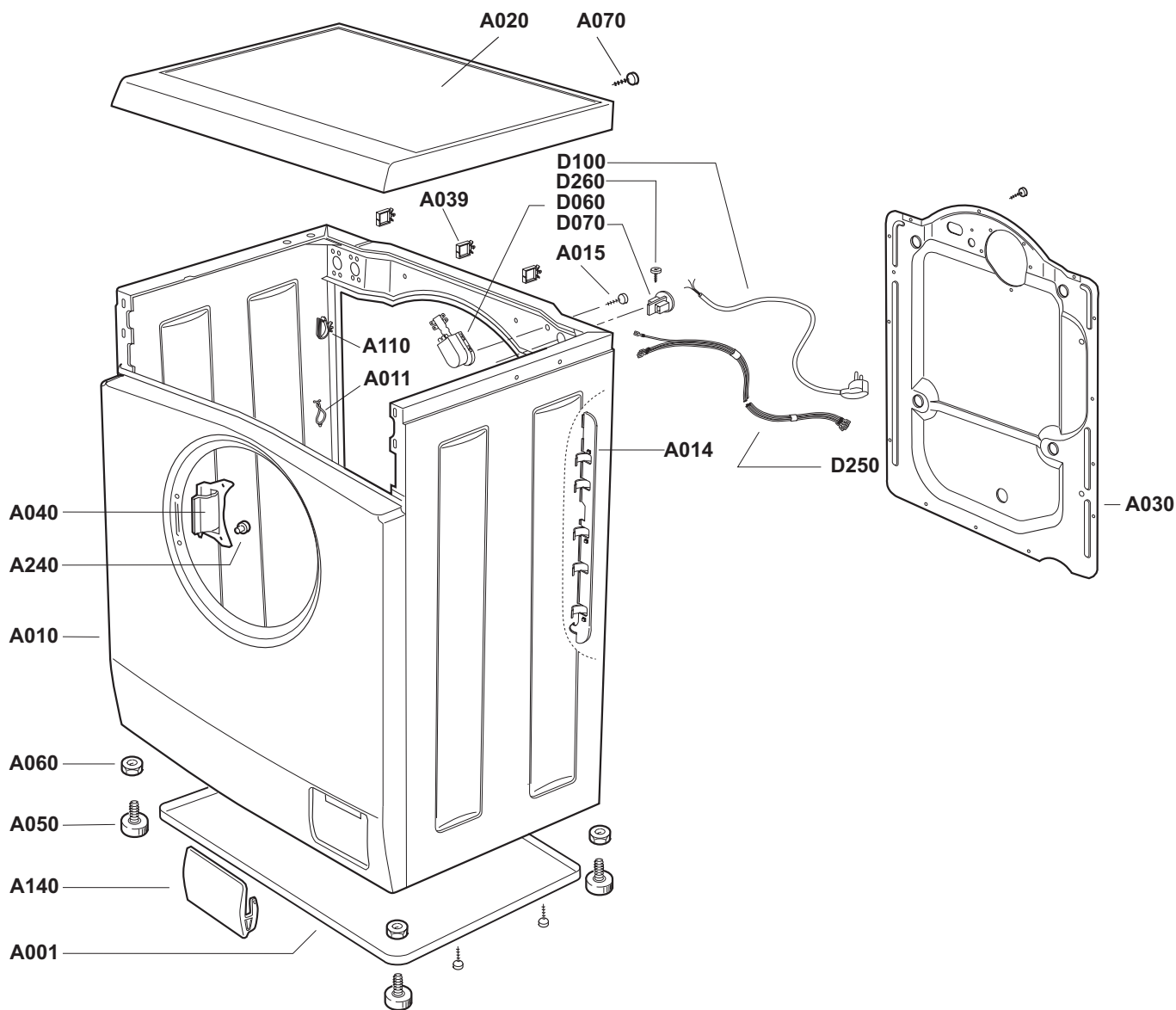
- (a) Remove the top cover (**Step 1**).
- (b) Remove the detergent drawer (**C030**) (**Step 28**).
- (c) Unscrew the three stainless steel screws (**C150**) securing the detergent dispenser to the control panel.
- (d) Use a long crosshead screwdriver to remove the four screws (**B290**) securing the control panel to the cabinet.
- (e) Remove the linkage rod (**C200**) at the timer knob end (**Step 34**).
- (f) Tilt the control panel forwards as shown in the figure.
- (g) Disconnect the wires connected to the dryer heater element (**H120**), the long stem thermostat (**H220**) and the manual reset thermostat with (**H370**).
- (h) Release the two door gasket (**E020**) connectors together with the sprung clamp band (**H150**) and union (**H160**) (**Step 4**).
- (i) Use a 7 mm box spanner to remove screw (**H300**) and four screws (**3 screws on the 55 litre model**) (**H021**) securing the heater element box assembly to the tub and tub back plate. At this point, the dryer heater element box assembly (**H320**) can be replaced.
- (j) To re-assemble, follow the same procedure in reverse order, applying **high temperature water resistant silicone** to the outside of the duct connection (**H320**) and on the inside and outside of the union (**H160**). Replace the screws (**B290**) on the detergent dispenser side before refitting the dispenser (**C010**). Make sure that the reference mark on the dispenser linkage (**C180**) is perfectly aligned with the reference mark on the top of the detergent dispenser (**C020**). The linkage rod (**C200**) must be adjusted using the adjusting spring (see drawing).

NB: This operation must be carried out with the timer knob in a wash position (not pre-wash).



Step 27 Replacing the appliance cabinet (A010):

- (a) Remove the top cover (Step 1).
- (b) Remove the rear panel (Step 3), then disconnect the wiring from all the electrical components on the machine, except for the door catch (E060) and those on the control panel.
- (c) Remove the door (Step 5) and door gasket (E020) (Step 4), then remove the door hinge (A040) (Step 7).
- (d) Remove the two fixing screws (E190) securing the door catch (E060) to the cabinet (Step 9).
- (e) Remove the detergent drawer (Step 28), the detergent dispenser and then the front panel (Step 35) together with all the wiring.
- (f) Remove the water feed hoses, the solenoid valves (cold water - D010) and (hot water - D300) and internal hoses (Step 11), the power supply cable grommet (D070), and terminal block (D060) (Step 10).
- (g) Remove the two fixing screws (A220) securing the electronic module support to the cabinet (Step 16).
- (h) Remove the drain hose (F090), the electric drain pump (F010), the filter body (F020) (Step 17) together with the filter and filter door (A140).
- (i) Lie the machine on its back on a blanket or similar.
- (j) Gently slide the complete tub assembly (G030) onto two wooden planks by extracting it from the top of the cabinet (Step 20).
Recover the cable tie (A014), grommets (A039), (A011), (A110), the four feet (A050), the four nuts (A060) and the bottom panel (A001).
- (k) To re-assemble, follow the same procedure in reverse order.



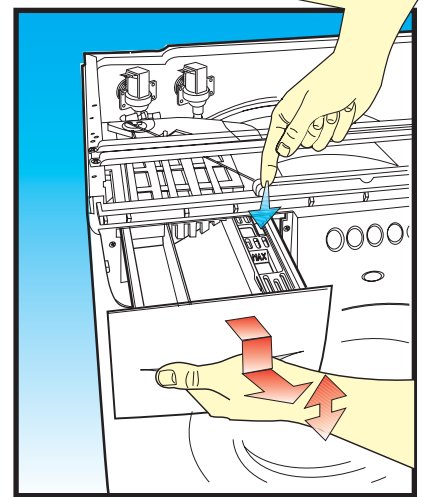
Step 28 Removing the detergent drawer (C030) from the Control Panel

- (a) Pull the detergent dispenser drawer out as far as it will go.
- (b) Press downwards, pull gently and extract the drawer.

Alternative version

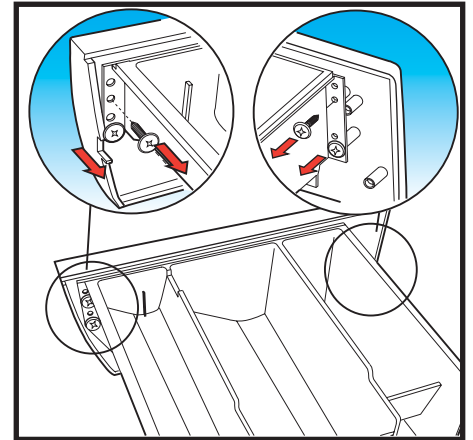
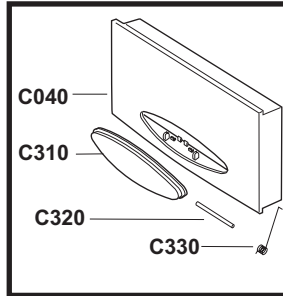
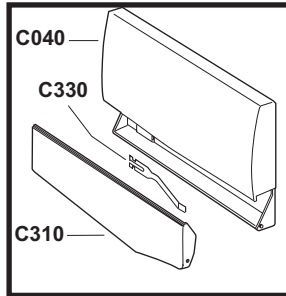
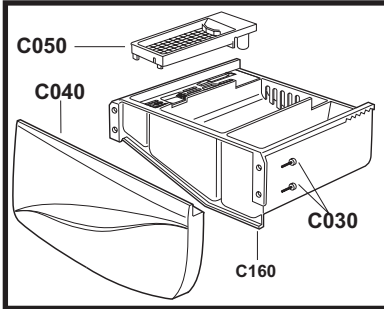
- (b) Press the lever on the fabric conditioner compartment downwards, pull gently and extract the drawer.
- (c) To replace the drawer, insert it in the guides and push it inwards.

N.B.: alternative version



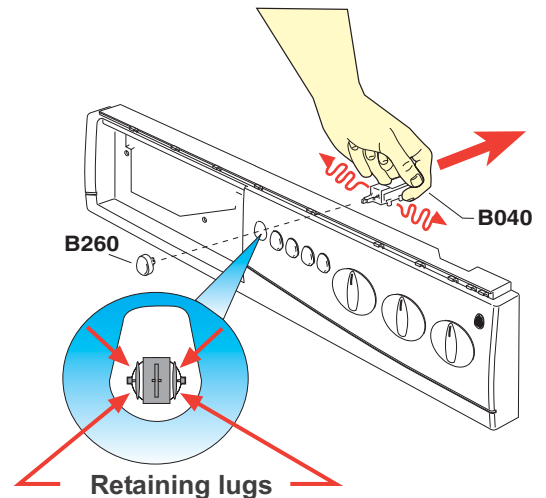
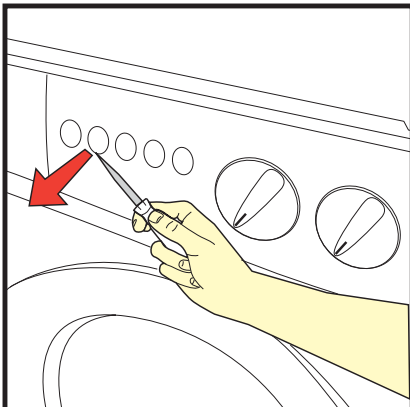
Step 29 Replacing the detergent drawer (C030) or drawer handle (C040):

- (a) Extract the drawer (Step 28).
- (b) Use a cross-head screwdriver to remove the four fixing screws (C160) securing the handle (C040) to the drawer (C030). Recover the fabric conditioner tray (C050).
- (c) To re-assemble, follow the same procedure in reverse order.



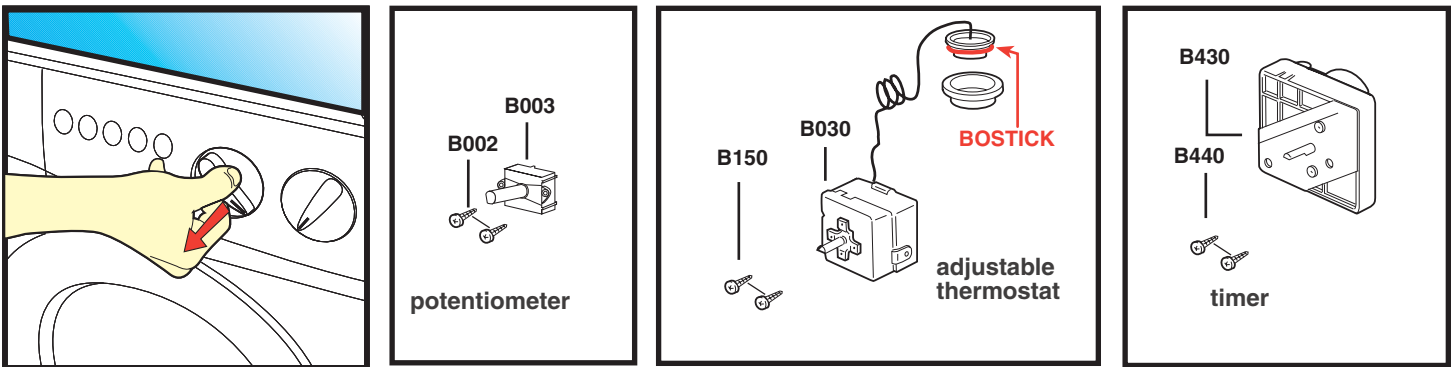
Step 30 Removing the switch (B040) from the Control Panel:

- (a) Remove the top cover (Step 1).
- (b) Use a very thin flat screwdriver as a lever between the circumference of button (B260) and the front panel to remove the button. Place a cloth between the two parts to protect them.
- (c) Remove the switch by levering the retaining lugs with a flat screwdriver, at the same time pull the switch (B040) back moving it left and right to help disengage the lugs.
- (d) Disconnect the wiring noting the positions of the wires.
- (e) To re-assemble, follow the same procedure in reverse order.



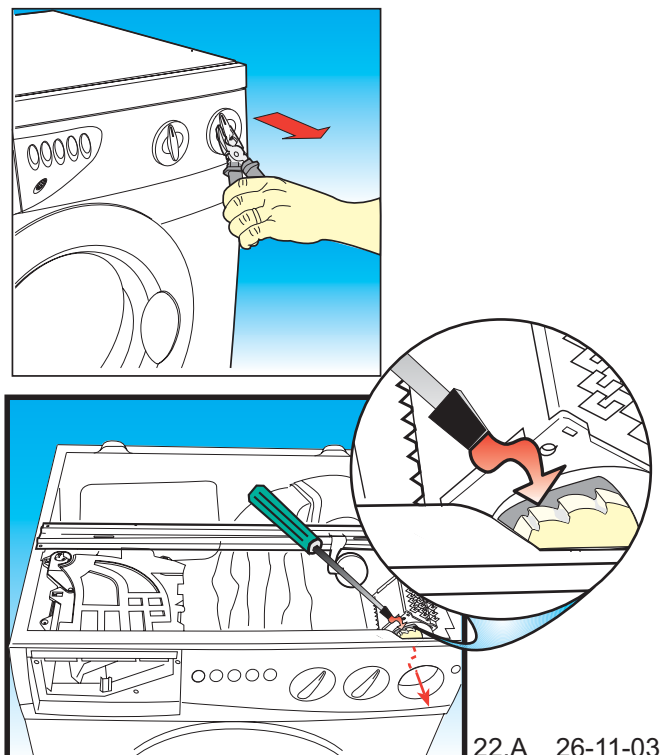
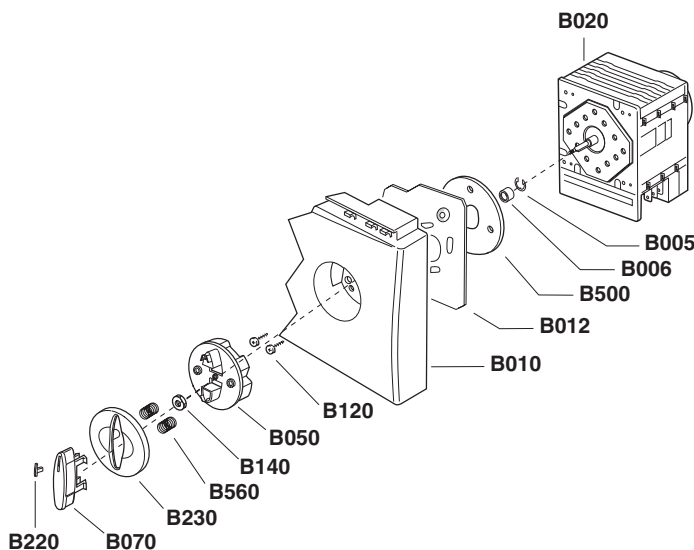
Step 31 Removing:
 - the knob
 - the potentiometer (B003)
 - the adjustable thermostat (B030)
 - the timer (B430)

- (a) Remove the top cover (Step 1).
- (b) Remove the rear panel (Step 3) only if replacing the adjustable thermostat (B030).
- (c) Remove the knob by gripping it tightly and pulling. If necessary, use a small flat screwdriver to prise the various components apart and separate them.
- (d) Remove:
 the two screws (B002) securing the potentiometer (B003) and/or
 the two screws (B150) securing the adjustable thermostat (B030) and/or
 the two screws (B440) securing the timer (B430).
- (e) If the appliance is fitted with an adjustable thermostat (B030), remove the probe bulb from the bottom of the tub. Remove the copper capillary from the taped wiring bundle.
- (f) To re-assemble, follow the same procedure in reverse order repositioning the new components. Thoroughly clean any hardened sealant from the probe seating and re-assemble using a new high-temperature water-resistant sealant (Bostik type). Then tape the new adjustable thermostat capillary along the wiring bundle.



Step 32 Removing and/or dismantling the programmer knob:

- (a) Remove the top cover of the appliance (Step 1).
- (b) Grip the programmer knob cover with a pair of pliers and, with a protective cloth between the tool and the knob, pull outwards to disengage the knob cover (B070).
- (c) Remove the insert (B070) and the cover plate (B230). Then carefully remove the pieces.
- (d) Use a 7 mm socket to remove the M4 nut (B140) from the programmer spindle.
- (e) From the inside of the appliance, lever the cam (B050) outwards and remove it together with the two springs (B560).
 To re-assemble, follow the same procedure in reverse order.

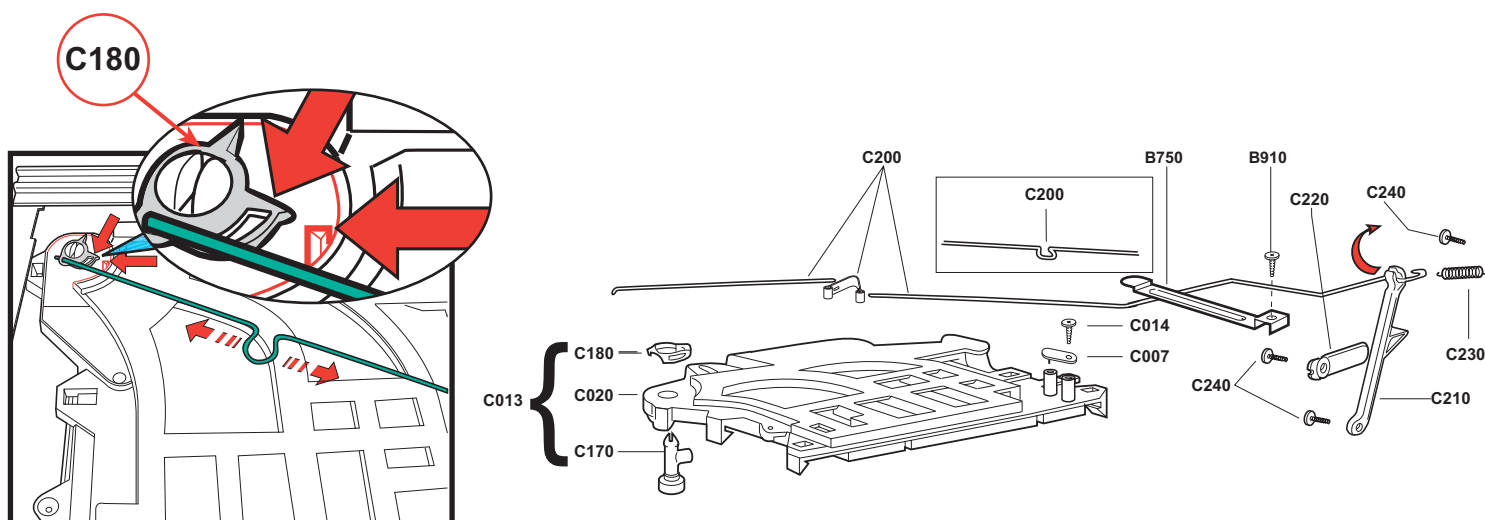


Step 33 Removing the programmer (B020):

- (a) Remove the top cover (**Step 1**).
- (b) Remove the programmer knob (**Step 32**).
- (c) Remove the two screws (**B120**) securing the programmer to the front panel.
- (d) Disconnect the wires from the programmer to replace and reconnect them to the new part. Check that the wire markings correspond to those stamped on the programmer. It may be necessary to ease the door catch mountings slightly (**Step 9**) in order to obtain sufficient movement on the programmer side.
- (e) To re-assemble, follow the same procedure in reverse order.

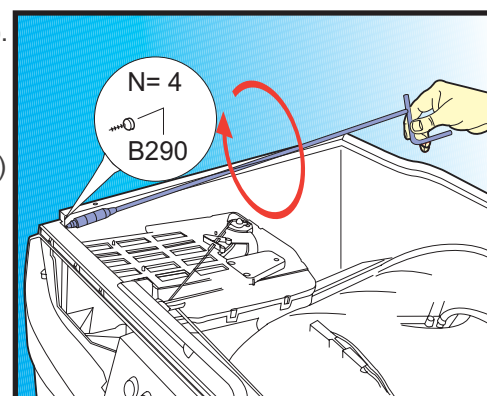
Step 34 Removing the distribution rod (C200):

- (a) Remove the top cover (**Step 1**).
- (b) Remove (where fitted) the Control Panel alignment bracket (**B750**) by unscrewing screw (**B910**).
- (c) Remove (where fitted) the distribution rod end stop (**C007**) by unscrewing screw (**C014**).
- (d) Remove the distribution rod (**C200**) from spring (**C230**), disengage the rod from the return spring (**C210**) by slightly twisting the end.
- (e) To re-assemble, follow the same procedure in reverse order.
To adjust the rod, position the programmer knob at a first wash position then reduce or enlarge the omega of the rod to position the reference mark on the distributor (**C180**) in perfect alignment with the embossed reference on the top of the detergent dispenser cover (**C020**).



Step 35 Removing the Control Panel (B010):

- (a) Remove the top cover (**Step 1**).
- (b) Remove the detergent drawer (**Step 28**) and the three fixing screws securing the detergent dispenser (**Step 18**).
- (c) Remove the switches (**Step 30**) noting the sequence.
- (d) Remove the thermostat/potentiometer/timer knob (**Step 31**).
- (e) Remove the thermostat and/or timer and/or potentiometer (**Step 31**).
- (f) Remove the programmer knob (**Step 32**).
- (g) Remove the programmer (**Step 33**).
- (h) Remove the distribution rod from the linkage (**Step 34**).
- (i) Remove the indicator light (**B100**) from its housing.
- (j) Use a long crosshead screwdriver to remove the four screws (**B290**) securing the Control Panel.
- (k) Remove the Control Panel and recover the following components:
 - linkage lever spring (**C230**) and respective screw (**C240**)
 - linkage lever (**C210**) and respective screw (**C240**)
 - linkage lever stop (**C220**) and respective screw (**C240**)
 - warning light (**B250**)
 - the timer no push-pull spacer (**B500**), where fitted
 - the timer protection plate (**B012**)
- (l) To re-assemble, follow the same procedure in reverse order, repositioning the new components. If necessary re-adjust the distribution rod (**Step 34**).



SWITCH FUNCTIONS AND SYMBOLS		
SYMBOLS ON THE FRONT PANEL	FUNCTION	WIRE MARKING
	NO SPIN	NC
	HALF LOAD	IE
COLD COLD	ENABLE COLD WATER FEED	CC
	STOP WITH WATER IN TUB (SOAK)	ST
	EXCLUDE HEATER ELEMENT	ER
e	SIXTY DEGREES-ECONOMIZER	SC
<input type="checkbox"/> High Speed <input type="checkbox"/> Low Speed	FAST SPIN BUTTON PRESSED	MC
<input type="checkbox"/> Low Speed <input type="checkbox"/> High Speed	FAST SPIN BUTTON NOT PRESSED	MC
START CANCEL	START – CANCEL	AV
HOT COLD	ENABLE HOT WATER FEED	HC
<input type="checkbox"/> Energetic <input type="checkbox"/> Delicate	REDUCE MOTOR RPM FOR DELICATE WASH (On 1837/4654 replaces 60° electrical system)	DE
PRE-WASH 	PRE – WASH	PW
	NO SPIN + STOP H2O	NC
	FOURTH RINSE + HIGH WATER LEVEL	SR
LIGHT-WASH 	LIGHT - WASH	LW
	NO SPIN + DRYING SAFETY	NC
<input type="checkbox"/> On <input type="checkbox"/> Off	ON/OFF	AS
	HALF LOAD + DRYING SAFETY	IE
	SKIP RINSE	SR
EC	65° /45° (DISHWASHERS)	EC
SL	SUPER WASH (DISHWASHERS)	SL
	DELICATE DRYING (DRYER)	AD
	ANTI-CREASE (DRYER)	AP
RESET 	DRAIN PUMP (CONDENSATION DRYER)	PP
	HIGH LEVEL	AL

The above table indicates the functions (column B) and markings on the wires of the switches (column C) of each button (column A).