

INDEX

W620 WASHER (WM-44)

● PROGRAMS	2
● DETERGENT DRAWER	4
● SPARE PARTS LISTS	
.. Casing and related parts	6
.. Lower section	8
.. Cylinder and related parts	10
.. Control panel	12
.. Upper section	14
.. Outer door	16
● SERVICE INFORMATION	
.. Front door seal	18
.. Wiring information	19
.. Timer unit program	20
.. Water levels	21
.. Fault indications	22
.. Fault tracing	23
.. Motor brushes	25
.. Spring legs	26

THE CONTROL PANEL

Door Open Button

Press to open the glass door. Please note that the Program Control knob must be at the end of a program (at a red mark) to open the glass door.

Economy Button

Press to extend the wash time by 22 minutes. (Suggested for use only with the low wash temperatures.)

Temperature Control

Turn clockwise to set the wash temperature.

Power Indicator Light

Glowes when the power is turned on.

Power Button

Press to turn on power to the machine.

Super Rinse Button

Press to program two additional rinses.

Delay Start Button

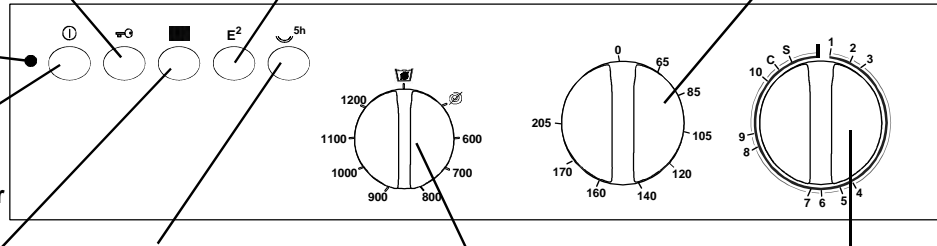
Press to delay starting the program for five hours.

Spin Speed Control

Turn clockwise to select the spin speed for the final spin.

Program Control

Turn clockwise to select a program.



Power Button

The Power button turns the power to the machine on and off. When the power is on, the power indicator light glows red. The power must be on before you can open the glass door, set the programs or start the machine.

Door Open Button

The power must be on and you must press this button to open the glass door. There will be a few seconds delay before the door opens. Please note that the Program Control knob must be at the end of a program (at a red mark) to open the glass door. See also, "Interrupting or Changing a Program" on the next page.)

For instructions on how to open the door manually in case of power failure, refer to the *Use and Care Guide*.

PROGRAMS



Your ASKO washer has several programs and options specifically designed to give you the cleanest laundry possible. The tables below define each program and option. The C and S on the Program Control are fault codes, which are explained on the next page.

Program Number	Program	Types of Laundry	Recommended Temp. Range (° F)
1	White cotton w/prewash	For heavily soiled cotton	140–205
2	White cotton w/short prewash	For normally soiled cotton	140–205
3	Normal	For lightly soiled cottons and colorfast fabrics	105–140
4	Rinse		
5	Long spin		
6	Permanent Press/Synthetics	For acrylic, polyester	105–140
7	Super quick wash	For lightly soiled fabrics	85–105
8	Short spin		
9	Wool/Hand wash	For silk, nylon, washable wool	85–105
10	Drain		



CAUTION! Some fabrics may not be able to withstand extremely hot temperatures. Refer to the Recommended Wash Temperatures chart in the *Use and Care Guide*.

Date 2000-02	PROGRAMS	Page 3
------------------------	-----------------	------------------

Option Definition

-  **Super Rinse** – Provides two additional rinses. Recommended for persons with sensitive skin or allergies.
- E²** **Economy** – Extends the main wash time by 22 minutes. When used with low wash temperatures (85°–100° F), this program conserves energy but gives the same high level of cleaning. *Note:* You can only use this option with programs 1, 2 and 3.
-  **Delay Start** – Automatically delays starting the program for five hours.

Spin Speed Control

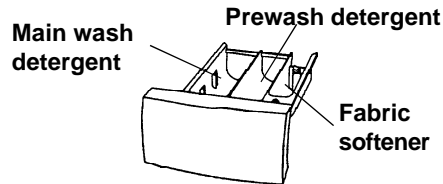
In addition to the 600 rpm to 1200 rpm spin speed options, the Spin Speed Control has a No Spin/No Drain option () and a No Spin () option. These are for delicate fabrics that should not be spun dry.

INTERRUPTING OR CHANGING A PROGRAM

If you need to stop or interrupt a program after you start the machine, turn the Program Control knob to 10 (Drain). Any water in the machine will be pumped out. Press the Door Open button to open the door. (It won't open until the water is out.) To restart the washer, close the door, add detergent (if needed), and turn the controls to the desired settings.

THE DETERGENT DRAWER

The detergent drawer on ASKO washers automatically dispenses the detergent and fabric softener at the appropriate times. The drawer is located to the left of the control panel. Simply pull the drawer out and pour the measured amounts of detergent and softener into the proper compartments (as illustrated) and close the drawer.



The detergent drawer is equipped with an optional child safety catch. (See your *Use and Care Guide*.)

NOTE: We recommend that you don't use bleach in an ASKO washer. The tumbling wash action, temperature control options and extended wash times are sufficient to remove most stains.

DETERGENT AND FABRIC SOFTENER AMOUNTS

Because ASKO washers use less water than conventional top-loading washers, you need less detergent and fabric softener. We recommend that you use a low-sudsing *powder* detergent only, preferably a high-efficiency (HE) detergent designed specifically for front-loading washers. (Liquid detergents tend to suds more, which make them more difficult to rinse out.)

Detergent – The amount of detergent needed varies, depending on the detergent you use. For high-efficiency detergent specifically for front-loading washers, you should use the amounts recommended by the manufacturer. For regular laundry detergent, **1 to 3 tablespoons of detergent is all you need for a normal wash load**. More heavily soiled items, however, may need slightly more detergent. Also, the amount of detergent needed can vary due to differences in water hardness. (Refer to the *Use and Care Guide* for more details.) If you choose to use a liquid detergent, start out with a very small amount, such as one or two tablespoons.

Fabric Softener – We recommend that you use only 2 tablespoons of fabric softener. If more softening is desired, try using slightly more with the next load.

Date 2000-02		Page 5
------------------------	--	------------------

This page intentionally blank.

Date
2000-02

CASING AND RELATED PARTS

Page
6

--	--

Date		CASING AND RELATED PARTS			Page
2000-02					7
Fig.	Qty	Part No.	Description	Notes	
1	1	8061817-0	Top Cover, white		
	3	8900338	Screw	RTK STt 4.2x9.5 FZB T20	
	2	8901413	Lock washer	AZ 4.3 galv.	
3	1	8064062	Strip, top cover	WMD20	
6	1	8801174-0	Side plate compl.	WM20	
7	2	8061763	Guide, front plate/top cover		
8	3	8061916	Cable holder	WMD20	
9	2	8061713	Holder hose, side plate		
11	1	8064017	Sound insulation, outlet hose		
12	1	8061732-0	Front plate compl., white	WM20	
	4	8900327	Screw	RTS ST 4.2x13 FZB T20	
	2	8901413	Lock washer	AZ 4.3 galv.	
15	2	8061741	Rubber buffer, front door	WM20	
16	2	8061744	Hinge support		
17	3	8901097	Screw	MRT-TT 4x12 FZB T20	
18	2	8061745	Rubber buffer hinge	WM20	
19	1	8069326-0	Lower cover compl., white		
	2	8900327	Screw	RTS ST 4.2x13 FZB T20	
23	1	8061657-0	Door outlet pump	WM20	
24	2	8063937	Guide, lower cover	TD20	
	2	8901619	Pop-rivet	AL/ST 4x10	
27	1	8061737	Rear panel	WM20	
	8	8900338	Screw	RTK ST 4.2x9.5 FZB T20	
31	1	8061693	Transport Beam		
	1	8901413	Lock washer	AZ 4.3 galv.	
	4	8900338	Screw	RTK ST 4.2x9.5 FZB T20	
33	3	8061735-UL	Transport sleeve	WM20	
34	3	8901940	Screw	M6S M8x70 FZB w/guide	
35	3	8061767	Locking washer, transport beam	WM20	
36	2	8061799	Holder hose, rear panel		
38	1	8050805	Holder, hose		
39	1	8061618	Bottom	WMD20	
40	4	8059334	Rubber foot	D32XM10 incl. nut	

Date
2000-02

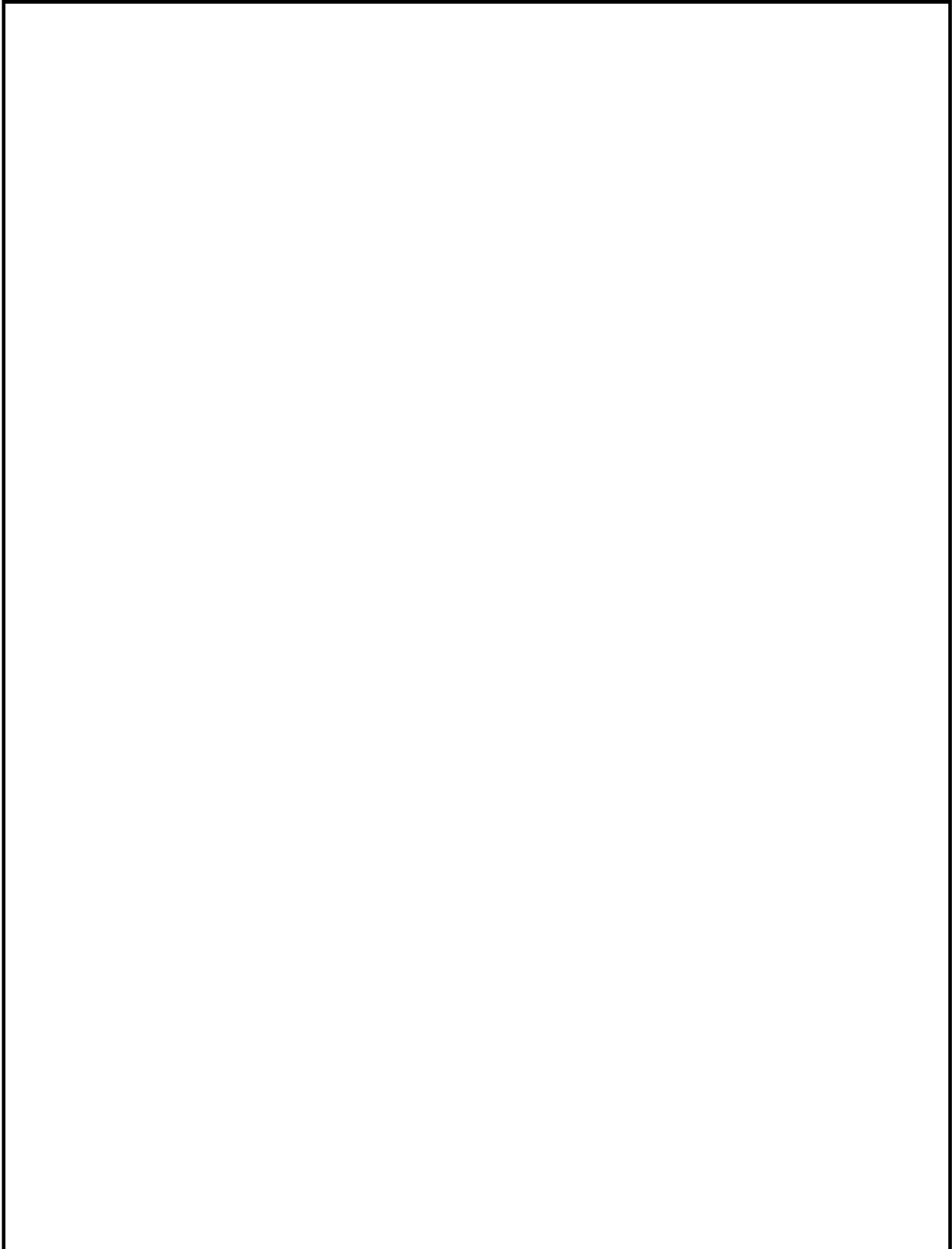
LOWER SECTION

Page
8

Blank area for technical drawing or notes.

Date		LOWER SECTION			Page
2000-02					9
Fig.	Qty	Part No.	Description	Notes	
1	1	8801171	Spring leg kit	WM20	
	4	33256445	Washer, spring leg	37x37x2	
	4	8901193	Locking nut	8 BHB galv.	
	6	8901343	Washer	SRKB 11x28x2 FZB	
2	4	8055796	Rubber buffer, spring leg		
3	4	8055797	Rubber buffer, spring leg		
4	4	8061668	Rubber Damper, spring leg		
6	1	8061772	Motor	60 Hz WM33/44	
7	2	8058261	Spac. tube motor suspension	12x191	
8	2	8063591	Screw	8.8 M8x205 FZB	
	1	8901337	Washer	BRB 8.4x16 HB 200 galv.	
	2	8901155	Nut	M6M8 BH8, galv.	
10	1	8086801	Cable set	E60-MO WM44/33 (P)	
15	1	8061681	Bellows hose outlet pump	WM20	
16	1	8063262	Hose clip	80.0-708	
17	1	8056471	Hose clip		
18	1	8052083	Hose clip	RFZ 39.6-706R	
19	1	8061924	Pressure chamber	WM20	
20	1	7382670	Rubber hose	5x8x550	
21	1	8801167	Drain pump sync. han. compl.	WM20	
22	2	8061649	Rubber buffer, drain pump	WM20	
23	1	8061796	Rubber ring, drain pump	WM20	
24	1	8061725	Drain hose	180mm, WM20	
	1	8052731	Hose clip	OETIKER 14.8-706R	
26	1	8061998	Outlet hose	WM20	
	1	8056491	Hose clip	30.1-708	
28	1	33700183	Terminal ESPA		
	1	8901097	Screw	MRT-11 rx12 FZB T20	
	1	8901413	Lock washer	AZ 4.3 galv.	
30	1	8061738	Thermistor holder	WM20	
31	1	8061663	Thermistor (E30)		
	2	8061976	Cable holder, small		
	1	8054485	Cable strip	T50R SF/PH	
34	1	8061674	Recirculation stub		
35	1	8061673	Grommet, recirc. stub		
36	1	8061945	Hose, recirculation	curved 345 mm	
38	3	8054196	Hose clip	FZB 22.8-25.6	
40	1	8061706	Heating element	2000W, 230V	
	1	33700450	Cable strip	T 30 R	

Date 2000-02	CYLINDER AND RELATED PARTS	Page 10
------------------------	-----------------------------------	-------------------

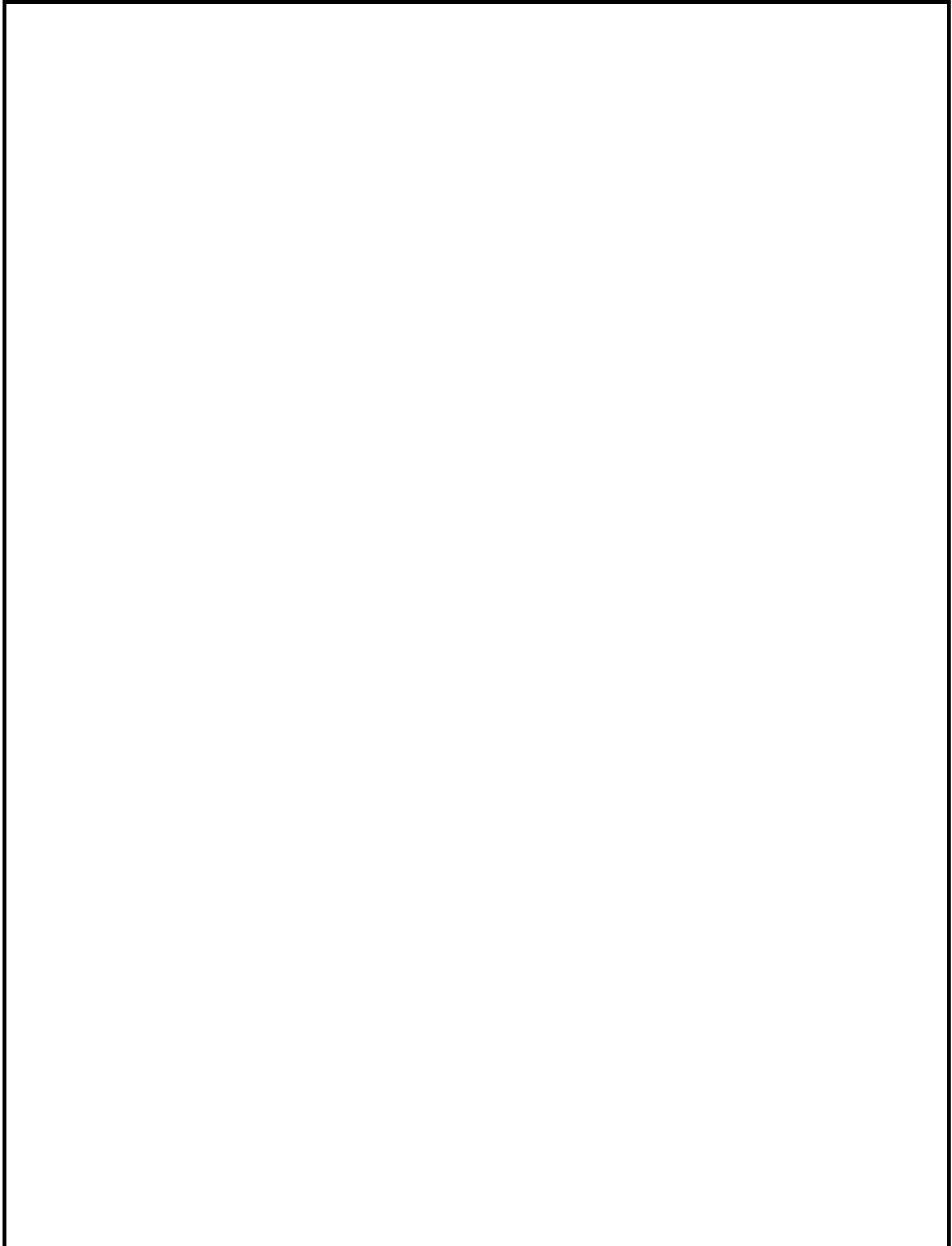


Date		CYLINDER AND RELATED PARTS			Page
2000-02					11
Fig.	Qty	Part No.	Description	Notes	
1	1	8061650-0	Front door compl., white	WM20	
	1	8061651-0	Frame, front door, outer, white	WM20	
	1	8061652-0	Frame, front door, inner, white	WM20	
	1	8061685	Front glass	D306x42mm, WM20	
	1	8061798	Lock hook	WM20	
	1	8061653	Seal, front door		
	4	8061624	Securing plate, front glass		
	1	8061686-0	Hinge, front door, white	WM20	
	1	8061687	Shaft for hinge	WM20	
	2	8901969	Screw	MRT-TT 5x12 FZB T25	
11	1	8061671-0	Cover plate, outer, white		
13	1	8061980	Gap sealing, lower	WM20	
14	2	8061616	Gap sealing, side	WM20	
15	1	8061670	Cover plate, inner		
16	2	8061678	Damper weight		
	3	8901135	Screw	M6SF-TT 8x25, DRILOC, FZB	
18	1	8061679	Door lock	WM20	
19	1	8061780	Emergency opening, compl.	WM20	
20	1	8061680-UL	Contact guard, door lock	WM20	
21	1	8061677	Front panel, tub	WM20	
22	1	8061889	Sealing strip, front panel (tub)		
23	1	8061669	Tension ring	WM20	
	1	8901335	Washer	BRB 6.4x12 HB 200 Galv.	
	1	8901154	Nut	M6 BH8, Galv.	
	1	8901116	Screw	MC6S 6x85, 8.8 FZB	
25	1	8061600	Cylinder, compl.	WM20	
26	3	8061604	Drum paddle	WM20	
27	1	8061682	Drive belt	5EPJ 1209	
28	1	8058497	O-Ring	26.2x3 NBR70, DW95	
29	1	8061638	V-ring cassette, compl.		
30	2	8056314	Ball bearing	6206 2RS MTSRL	
31	1	8801165	Container Compl. WM20		
32	1	8056810	Scale washer	37x30.5x0.5	
33	1	8056376	Pulley, compl.	D292	
	1	8057209	Washer	42x10x4	
	1	8901052	Screw for pulley	BUFO 8.8, 10s25, galv.	

Date
2000-02

CONTROL PANEL

Page
12



Date 2000-02	CONTROL PANEL	Page 13
------------------------	----------------------	-------------------

Fig.	Qty	Part No.	Description	Notes
1	1	8063839-0-UL	Panel w/handle	
	4	8901591	Binding clip	SCO 5740
3	1	8063354-49	Plate, prog. info, English	
	1	8063374-49	Plate, prog. info, Spanish	
	1	8063366-49	Plate, prog. info, French	
4	1	8061630	Detergent compartment	WM20
5	1	8061633	Divider detergent compartment	
6	1	8061634	Siphon	WM20
8	1	8061621-34	Safety catch handle, red	
9	1	8061622	Spring, safety catch handle	
10	1	8064010	Spacing sleeve, safety catch	
11	6	8061711-0	Pushbutton	WMD20
12	2	8061892-0	Knob, temp/timer w/clips	WMD20
14	1	8061775-0	Knob, spin speed w/clips	WM20
15	1	8061822	Decor Lens	
	1	8060478	Indicator lamp	UL-approved
17	1	8061709-0	Safety catch, temperature	White, WM20
18	1	8063974	Tension spring, safety catch	

Date

2000-02

Page

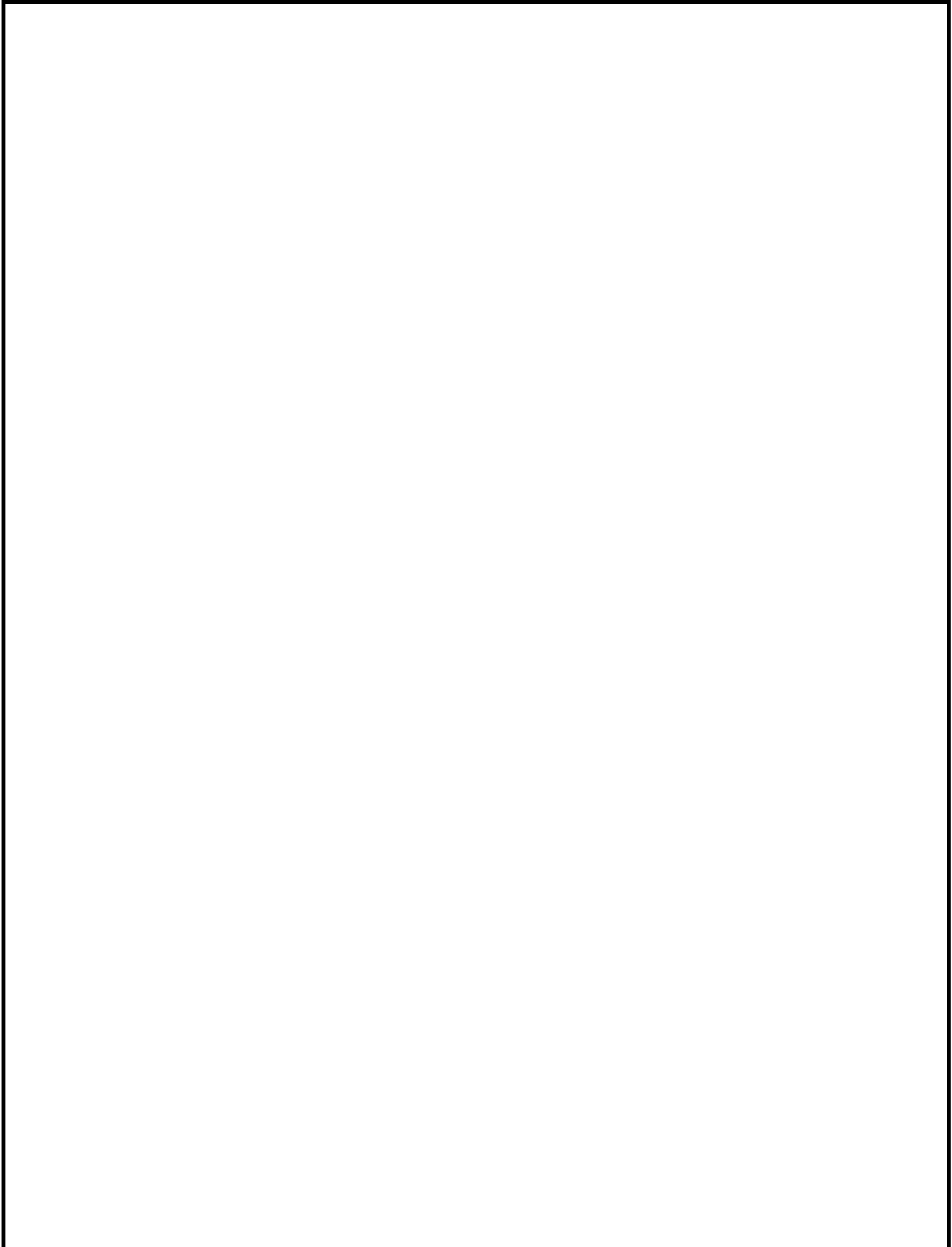
14**UPPER SECTION**

Date		UPPER SECTION			Page
2000-02					
Fig.	Qty	Part No.	Description	Notes	
1	1	8061690	Beam front	WM20	
	1	8900338	Screw	RTK ST 4.2x9.5 FZBT20	
3	1	8061661	Detergent compartment		
	2	8901970	Screw	PTK 40x14 A2 WN1452 T20	
	1	8902072	Screw	PT KB40X10, WN1442, galv.	
6	1	8061628	Bellows hose, inlet	WM20	
	1	8063607	Hose clip	57.5-708	
8	3	8061702	Rubber hose	10x15x300	
	3	8056656	Cable strip		
10	1	8061736	Ventilation hose	WM20	
	1	8052730	Hose clip	OETIKER 21.0-706R	
15	1	8061757	Inlet valve, 3-way	WM20	
	2	8901097	Screw	MRT-TT 4x12 FZB T20	
17	1	8061875	Pushbutton switch	2-pole clos.	
18	1	8063719	Pushbutton switch	1 clos. MOM. UL3	
19	4	8063717	Pushbutton switch	1 clos., UL3	
22	1	8061665	Rotary switch, BCD		
23	1	8061728	Rotary selector, spin speed	WM20	
25	1	8061756	Timer	WM33/44 60HZ	
26	1	8061692	Bracket for elec. comp.	WM20	
	2	8900338	Screw	RTK ST 4.2X9.5 FZB T20	
	1	8900327	Screw	RTS ST 4.2X13 FZB T20	
30	1	8061664	Pressure sensor	Type 1166	
31	1	8061747	Level switch	WM20	
32	1	8003641	Rubber hose	5x8x45	
33	1	7382985	Rubber hose	5x8x100	
34	1	8051843	Y-pipe 05		
35	1	8061997	Guard, level switch hose	WM20	
	2	8061975	Cable holder, big		
37	1	8061694	Crossbeam		
	4	8900327	Screw	RTS ST 4.2x13 FZB T20	
39	1	8061660	Terminal block, 5-pole		
	1	8901097	Screw	MRT-TT 4x12 FZB T20	
41	1	8060956	Cord set	UL 250V/20A	
42	1	8058558	Radio interference sup. filter		
	1	8901419	Lock washer	AZ 8.4, galv.	
	1	8901168	Nut	ML6M 8 FZB	
44	2	8054613	Fuse holder	HTB38	
45	2	8055725	Fuse holder insert	STI	
46	2	8058140	Fuse	15AT 6.3x32	
47	2	8061923	Balancing spring	WM20	
	1	8063858	Use and Care Guide	WM20	

Date

2000-02

Page

16**OUTER DOOR**

Date	OUTER DOOR	Page
2000-02		17

Fig.	Qty	Part No.	Description	Notes
1	1	8061733-0	Door, outer, white	WMD20
2	1	8061734	Door, inner, chrome	WM20
	5	8900395	Screw	KFTS ST 3.5X13 FZB T10
4	1	8061656-0	Handle, front door, white	WM20
5	4	8900395	Screw	KFTS ST 3.5X13 FZB T10
6	2	8061764	Reinforcement hinge	WM20
	4	8901969	Screw	MRT-TT 5X12 FZB T25
	4	8901097	Screw	MRT-TT 4X12 FZB T20
9	2	8061906	Hinge	WM20
	1	7382628	Washer, nylon	6.2x14x1
	1	8901004	Screw	BUFO 8.86X16 Galv.
	1	8901192	Locking nut	6 BH8 Galv.
12	2	8061777-0	Guide, hinge, white	WM20
15	1	8061742	Tension spring, hinge	WM20
16	1	8061909	Glide sleeve, door spring	WM20

Product: Frontloaded	Front door seal WM 33/44/55	Group: 21	
Date: 00-06-14		Number: 158	
Reference: Bo Fredriksson		ÄO: 7782	Page: 1(1)

Service intervention for leaking front door.

First verify that the door seal is not damaged or covered by loose particles.

In order to increase the sealing strip pressure against the sealing surface of the container, a special O-ring (part no. 8064178) has been designed.

As of Week 19, 2000, the front door O-ring is factory installed on all WMC 55 Professional models.

The front door O-ring can be fitted on earlier WMC 55 models as well as on WMC 33-44-55-66 to remedy a leaking front door seal.

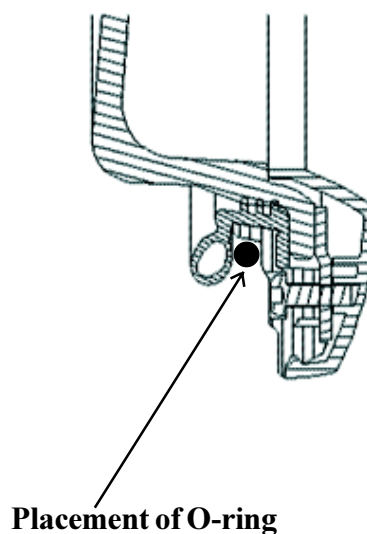
Fitting the front door O-ring, part no. 8064178

Fit the O-ring by placing it on the outside, covering the sealing strip (see picture) between the plastic part of the door and the sealing strip. See the figure.

Picture



Figur 1



Product: WM 33/44/55/66	Wiring information Door lock WM 33, 44, 55, 66	Group: 21	
Date: 00-03-15		Number: 149	
Reference: Per Svensson		ÄO: 7301	Page: 1(1)

A modification to door hinge article no. 8061679 has led to the following changes:

1. Door hinge is now labelled (wiring information 1, 2, 3).
2. Leads DL1 and DL3 have swapped markings.
3. Wiring diagram has changed. Diagrams 8061751 rev. 00 and 8061753 rev 00 have been replaced by rev. 01.

These changes have been made to machines manufactured after week 22, 1999.

New marking WM 33/44.

Individual leads

Lead marked DL 1 colour grey/red

Lead marked DL 2 colour grey

Lead marked DL 3 orange

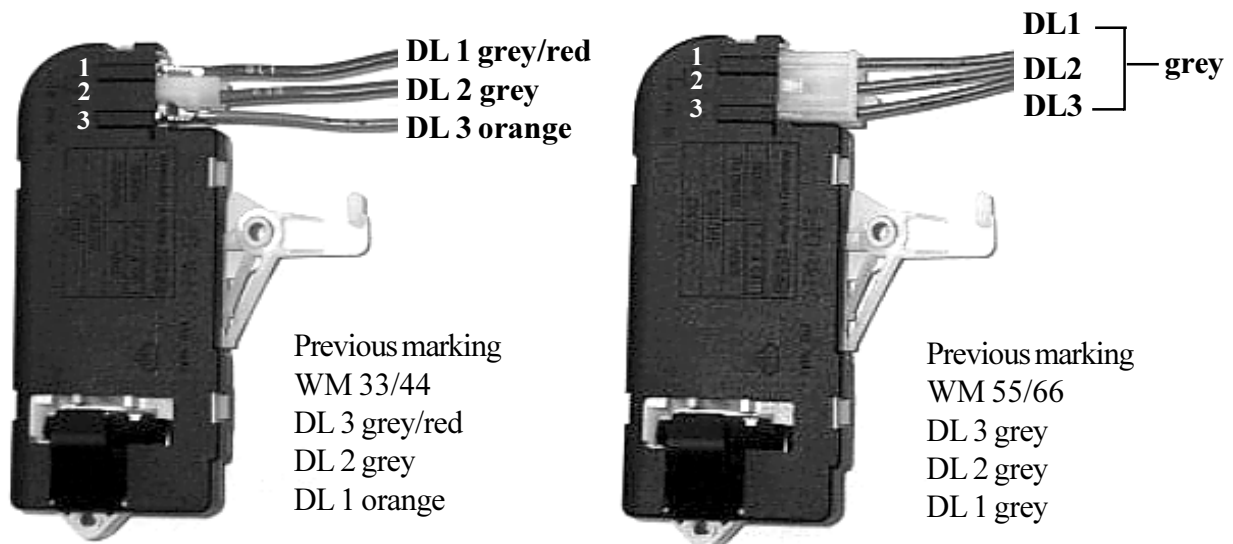
New marking WM 55/66.

Connector block

Lead marked DL 1 colour grey

Lead marked DL 2 colour grey

Lead marked DL 3 colour grey



NOTE!

Incorrect connection will cause a short-circuit.

The relative positions are unchanged. It is only the markings on the leads that have changed

Product: WM 33 / 44	Change in timer unit programme WM 33/44 60 Hz	Group: 21	
Date: 00-06-14		Number: 159	
Reference: N-Å Carlsson		ÄO: 7743	Page: 1(1)

The timer unit software has been improved to withstand frequency variations from the power source.

This change has been implemented on units manufactured after week 13, 2000. The part number of the timer unit does not change.

Timer units manufactured from week 10, 2000 or later are fitted with the new machine programme.

ASKO WM 33/44 8061756 230V 60 Hz 3320 BB01 10/2000
--

Check the label on the side of the timer unit

If the programme unit stops at C = (Check)

Check the following before replacing the programme unit.

Possible error causes:

Thermistor fault

The thermistor output is closed or fully open.

Heating element fault

The set temperature was not reached within:

25 minutes using the Cotton programme or 80 minutes for other programmes.

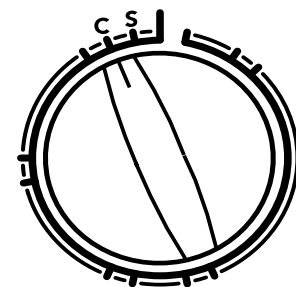
Water level fault

Overfilling. The mechanical and electronic level guard will indicate a water level fault if the level has not been reached within 5 minutes or if the level has not been reached within 3 minutes when draining.

Level guard fault

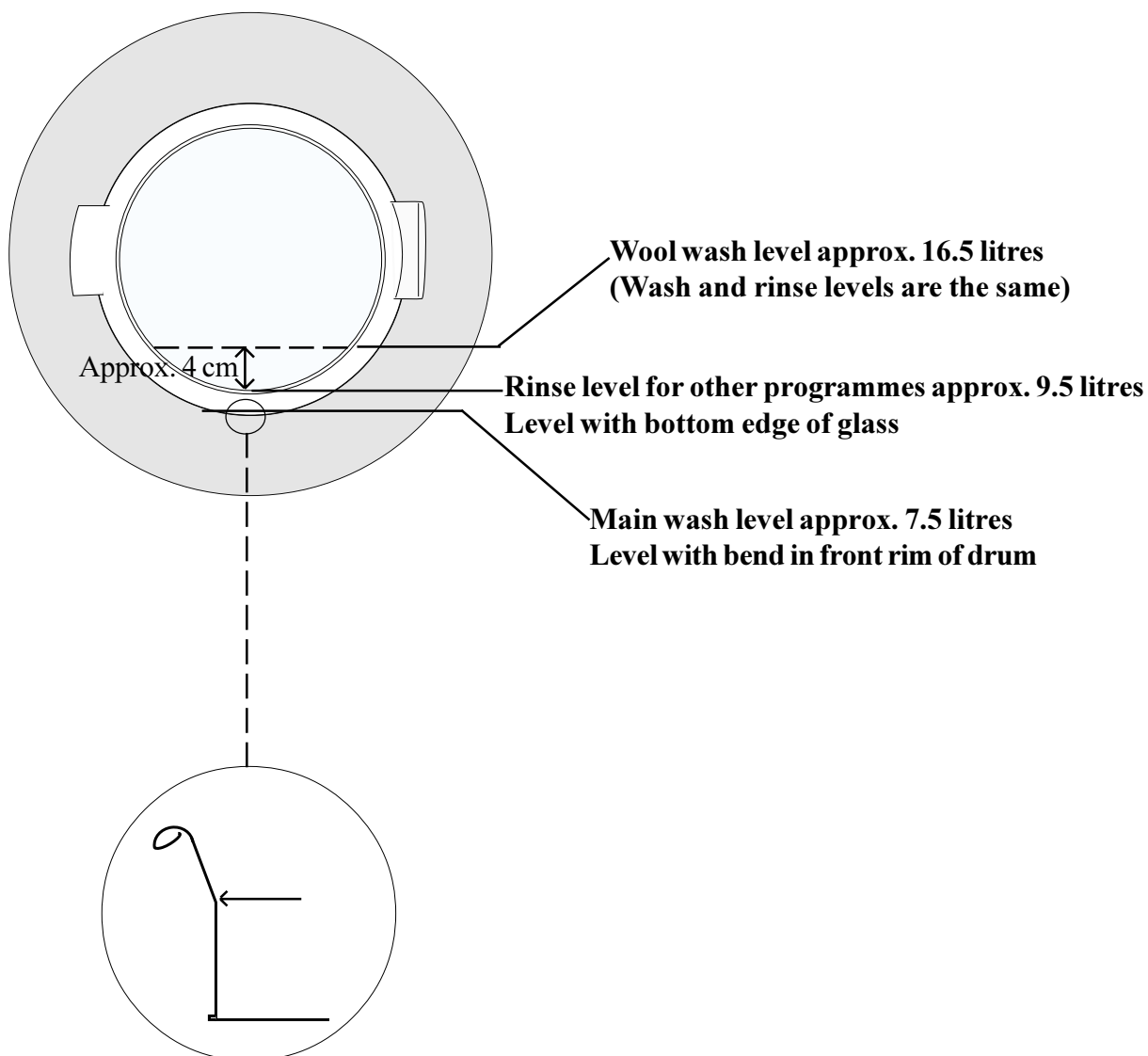
The machine does not heat; it takes too long time (approx. 3 hours).

If the machine does not exhibit any of the above faults, but instead carries out all the programme steps and then stops at C, then the programme unit should be replaced.



Product: WM 33/44/55/66	Water levels WM 33/44/55/66	Group: 21	
Date: 00-03-15		Number: 150	
Reference: Christer Carlsson		ÄO:	Page: 1(1)

Measurement must be carried out without laundry in machine.



Product: WM 33 / 44	Description of fault indications WM 33/44 (Timer)	Group: 21	
Date: 00-03-15		Number: 151	
Reference: N-Å Carlsson		ÄO:	Page: 1(2)

Description of probable cause when timer stops in position C (Check) or S (Safety)
In position C, the kind of fault can be checked by yourself, see service manual, but faults in position S are often of more serious kind and requires service action.

C - CHECK STEP

Thermistor fault

Indicated when the out gate for the thermistor is closed or fully open

Heating element fault

Indicated when temperature setting not has been reached within:

25 minutes for wool wash cycle,

80 minutes for other cycles.

Timer fault

Indicated when the code transmission in the control unit is incorrect.

Water inlet fault

Indicated when over filling is sensed by the mechanical or electronical level switch/sensor:

If the set level not is reached within 5 minutes

or if drain level not is passed within 3 minutes.

S - SAFETY STEP

Motor fault

Indicated if the tacho generator gates or the triac are short cut or open, or if the safety relay KL1 is open

Pressure sensor fault

Indicated when water inlet to wash level or rinse level is not reached within 5 minutes, though the mechanical level switch is operating at setted level.

Product: WM 33 / 44	WM 33 / 44. Fault tracing	Group: 21	
Date: 00-03-15		Number: 154	
Reference: B Haglund		ÄO:	Page: 1(2)

A The machine do not start, the timer does not proceed, no filling, but control lamp indication

Check: Fuse - 6,3 A.

B The motor overspeeds after filling. Connection problem ?

Check: Cable E6-1 and MO-7 and tab in motor.
Cable E6-2 and MO-6 and tab in motor.
Tachofunction

C Motor do not start after filling. 4-5 min later does the timer feed to step for drainage. After drainage timer stop at "Info".

Check: Cable E6-3 and MO-5 and tab in motor
Cable E6-4 and MO-4 and tab in motor
Cable E6-5 and MO-3 and tab in motor
Cable E6-6 and MO-2 and tab in motor
Connection between rotor-brushes-cable terminals

D To short spinning time at 1000 rpm, stops, drain pump starts and after 4-5 min the motor runs according to "Loosening" cycle Thereafter the timer proceeds to end position (not to any control position)

(Note: Above will not occur with WM 33 set at 800 rpm or WM 44 set at 900 rpm or less)

Check: Cable E6-7 and MO-1.

Product: WM 33/44	WM 33 / 44. Fault tracing	Group: 21
Date: 00-03-15		Number: 154
Reference: B Haglund		ÄO: Page: 2(2)

E Do not heat. Fills water to correct level.

Check: Supply Voltage, Heater, Thermistor, Level switch, as below

Start on program 3. It now runs for 8 minutes with soaking speed (40 rpm), and thereafter turns over to normal speed (52 rpm) and the heating starts.

1. Check with water at correct level and with supply voltage:

1.1 Voltage by heater (230 V).

see also 2.1-2.3 below

1.2. Supply voltage line-side L :

Between N (PF4) and level switch N1-11 or N1-14 (230 V)

If no voltage at N1-14 = incorrect level or faulty level switch.

1.3 Supply voltage neutral-side :

Between L1 (PF1) and PF4-PF3, PF6 or PF7 (230 V)

*2. Check with water at correct level and **no supply voltage:***

2.1. Heater - No break down of heater.

2.2 Thermistor - check value = 40-60 kohm by 20-30° C. (Higher value by lower temp)

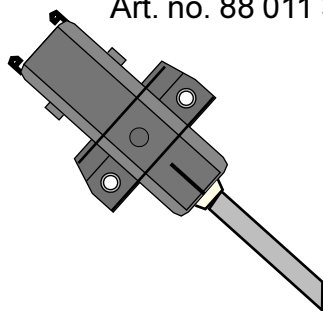
2.3 Temperature setting switch - any bad connections switch- timer

Product: Wash	Brushes / Grinding Stone for motor Ceset and FHP	Group: 21	
Date: 00-03-15		Number: 152 E	
Reference: N-Å Carlsson		ÄO: R-del	Page: 1(1)

**Brushes and Grinding Stone for motors Ceset and FHP
can be ordered as specified below.**

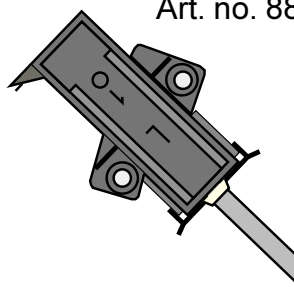
Brushes for Ceset-motor

Art. no. 88 011 30 (1 pcs.)



Brushes for FHP-motor

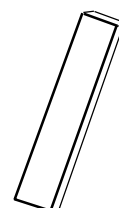
Art. no. 88 011 95 (1 pcs.)



When changing the brushes , it is important to grind and clean the rotor

This will increase the life cycle of both brushes and motor

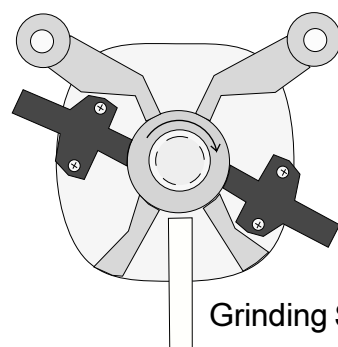
For this purpose is a Grinding Stone available, which will by use remove scratches, coatings and minor spark injuries.



Grinding Stone
for rotor
Art. no. 88 011 96

Instruction for use

1. Remove the worn-out brushes
2. Apply the grinding stone to the the rotor
3. Turn the rotor manually until irregularities are removed
4. Mount new brushes



Grinding Stone

Product: WM 33/44/55/66	Spring legs WM 33/44/55/66	Group: 21	
Date: 00-03-15		Number: 153	
Reference: N-Å Carlsson		ÄO: 7165/7166	Page: 1(1)

Changing of spring legs has been done as below:

Machines produced before week 11 1999 have spring leg nr 8061683 with a power of 27,5 + 12,5 -0 on all four legs.

Machines produced after week 11 1999 have spring legs with different power for left and right side.

Spring legs with part nr. 8061981 with a power of 27,5 + 0 - 12,5 are mounted on left side.
Red text with partnumber on the spring legs.

Spring legs with part nr.8061683 with a power of 27,5 + 12,5 -0 are mounted on the right side.
Black text with the part number on the spring leg.

Complete kit with all 4 springlegs on part number . 8801171

