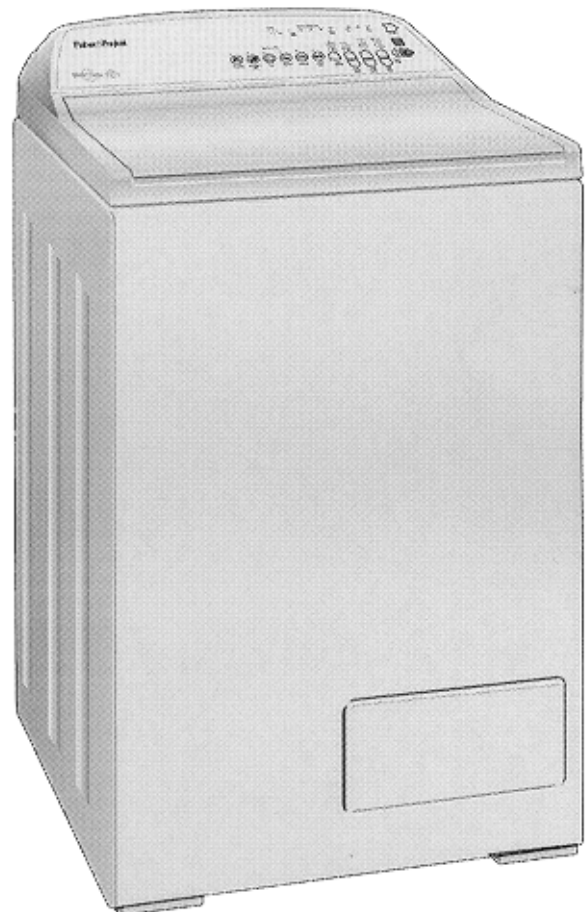


Fisher & Paykel

Parts Manual

Smart Drive[®] Electronic Washing Machine

Models
GWL03 GWL08



426478

PRODUCTS

Brand Fisher & Paykel

Voltage 110-120V 60Hz

Model **Code**

GWL03 96986

GWL08 96107

Fisher & Paykel Appliances Inc.
22982 Alcalde Drive, Suite 201
Laguna Hills CA 92653
Tel: (949) 829 8865
888-936 7872
Fax:(949) 829 8699
Email: www.fisherpaykel.com

CONTENTS

| | |
|-------------------------------------|----|
| TOP DECK AND ELECTRONICS..... | 4 |
| WRAPPER..... | 8 |
| AGITATOR AND HOSES..... | 10 |
| INNER AND OUTER BOWLS AND PUMP..... | 12 |
| MOTOR..... | 14 |
| NOTES..... | 17 |

GUIDE TO USING THIS MANUAL

The model(s) and/or series covered by this manual are listed on the front cover.

The information detailed in this manual is subject to change without notice, the latest version is indicated by the reprint date and replaces any earlier editions.

The front cover picture shows the type of product and may not necessarily be an exact image of the models covered by the manual.

Part References

Where a Model is shown, the part is exclusive to the Model(s) stated. Common parts relating to a part reference are applicable to all other Model(s) which use the particular item.

Kit Parts

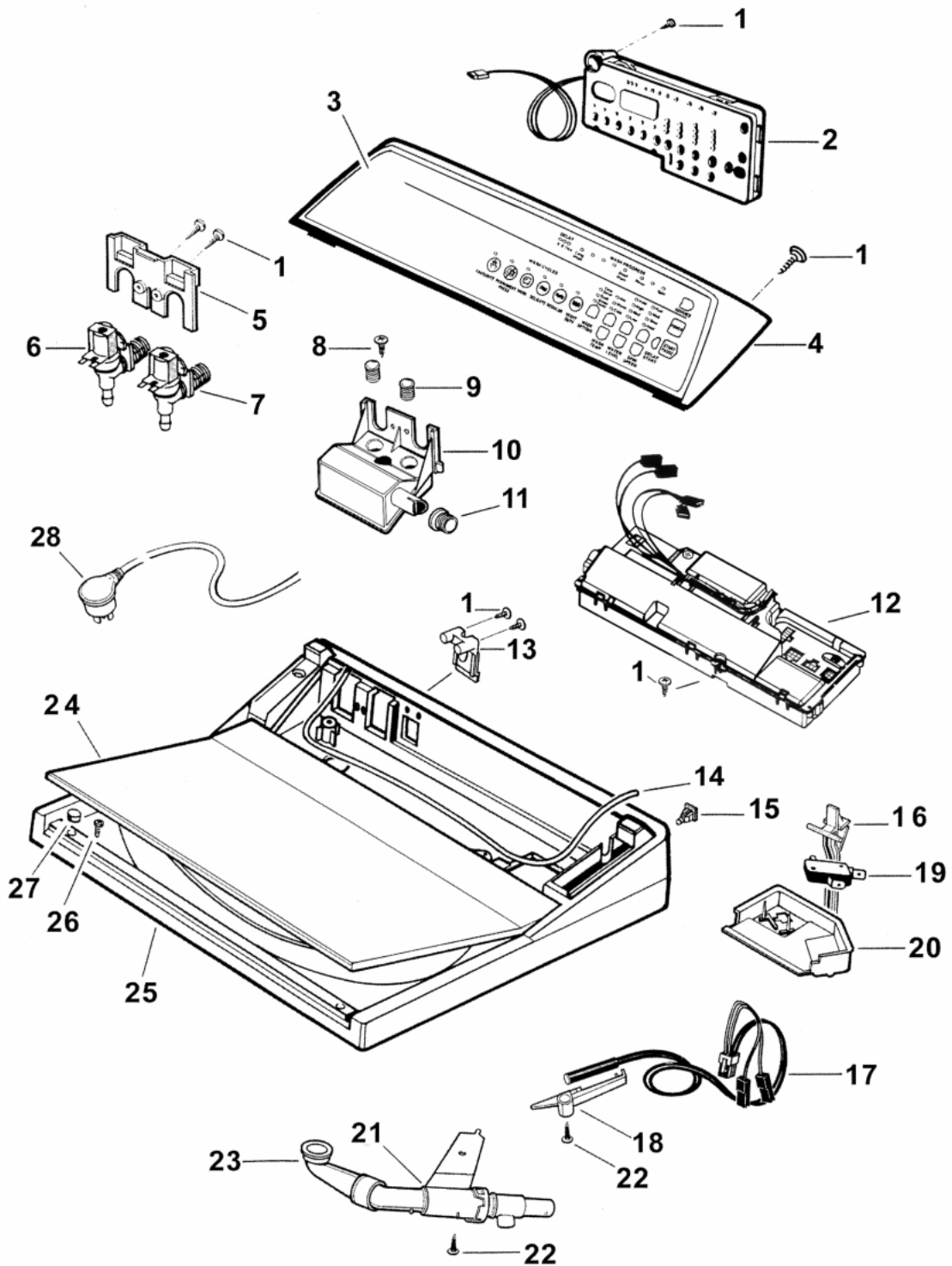
The components shown in *italics* are those parts in the kit which are available also as separate items. In addition, some parts may be supplied with this kit which are not available as separate items and are therefore not listed in this manual.

All details relating to Technical Bulletins or Notes are shown on a dedicated page. The Technical Bulletin Number shown relates to the bulletin version which is produced for New Zealand Service Centres.

Parts List Key

| | |
|----------------|---|
| NOT USED | As a part, indicates the diagram part reference is not used in this manual. |
| # | Beside the part number, indicates the part is no longer available. |
| <i>italics</i> | Kit components shown in <i>italics</i> are also available separately. |
| * | Indicates a technical bulletin or note exists for the part or part reference. |
| NI | As a part reference, indicates the part is not illustrated on the diagram. |

TOP DECK AND ELECTRONICS



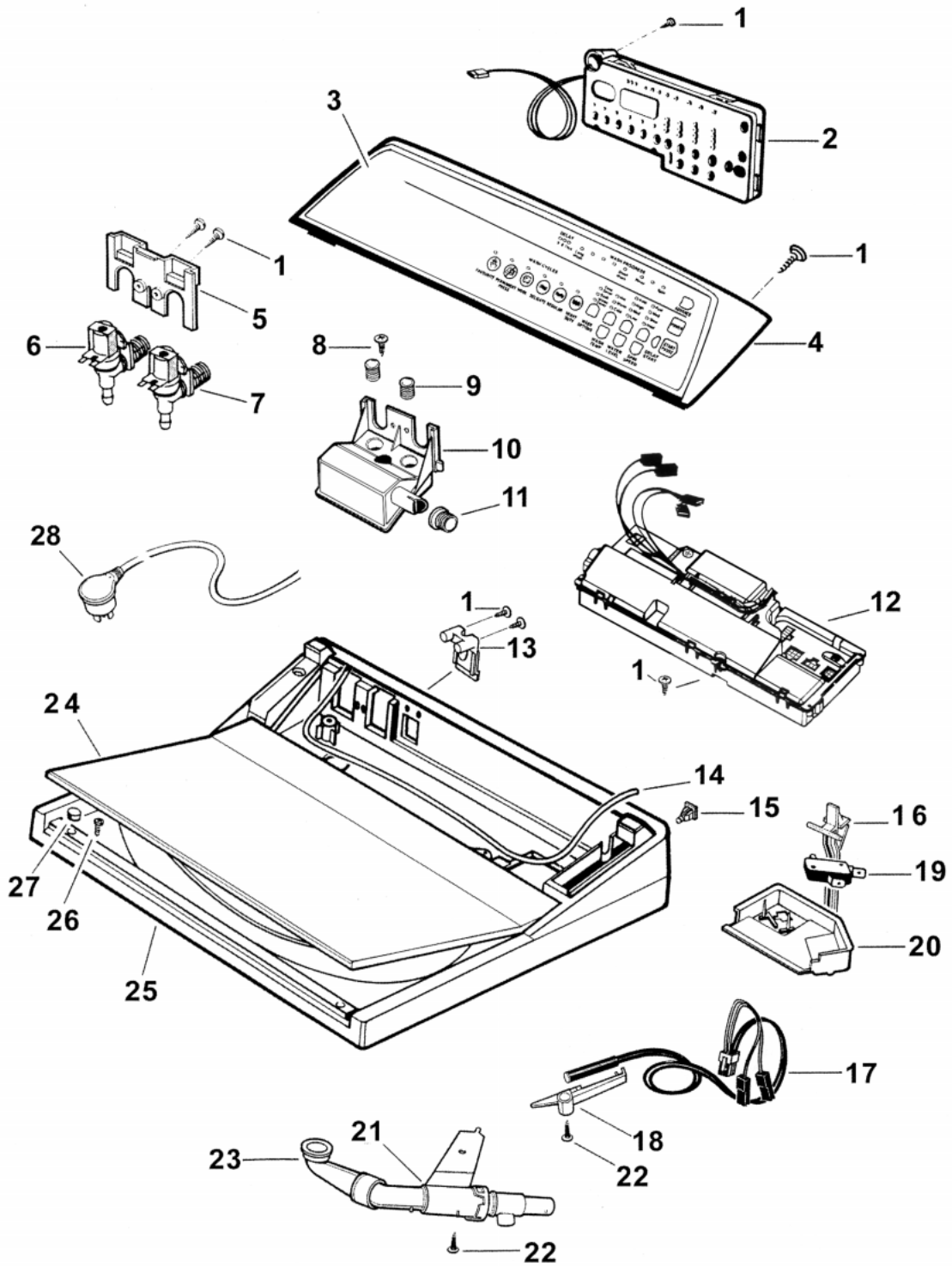
TOP DECK AND ELECTRONICS

| REF | PART | DESCRIPTION | MODEL |
|------------|-------------|---|--------------|
| 1 | 611933P | SCREW ST 8X5/8 TA MTS PH H5 X1 | |
| 2 | 426086P | MODULE DISPLAY | GWL03 |
| | 426206P | MODULE DISPLAY | GWL08 |
| 3 | * 426254P | PANEL TOUCH FISHER&PAYKEL BY F&P YEL/GRN | GWL03 |
| | 426266P | PANEL TOUCH GWL08U F&P PKD | GWL08 |
| 4 | 426055P | CONSOLE WHITE 703 SD PKD | |
| 5 | 425339 | BRACKET VALVE SD2 | |
| 6 | 426143 | VALVE INLET PROPORTIONAL 12V C | |
| 7 | 426142 | VALVE INLET 12V HOT | |
| 8 | 611986P | SCREW ST 8X20MM HILO PAN PH X1 | |
| 9 | 425251 | SEAL INLET VALVE | |
| 10 | 425916 | CHAMBER INLET ASSY SD2 | |
| 11 | 425337 | SEAL INLET/HEATSINK SD2 | |
| 12 | 425900P | CONTROLLER MOTOR 110V | GWL03 |
| | 426205CP | CONTROLLER MOTOR 110V | GWL08 |
| 13 | 426113 | CLAMP MAINS HARNESS UL LT GREY | |
| 14 | 426273 | GASKET CONSOLE FOAM CUT | |
| 15 | 422402P | NUT SNAP IN SPIRE P0071/05/ X1 | |
| 16 | 425686 | LEVER BALANCE SWITCH | |
| 17 | 426457 | HARNESS REED SWITCH/OOB (1/4 T | |
| | 426515 | HARNESS REED SW/OOB SD200 | |
| 18 | 425859 | CLIP REEDSWITCH | |
| 19 | * 426321 | MICROSWITCH LOW FORCE SPSTNC | |
| | 426597 | MICROSWITCH LOW FORCE 4.8 TABS | |
| 20 | 425772 | BRACKET OOB SD2 | |
| 21 | * 425869 | NOZZLE ASSY SD3 | |
| 22 | 611985P | SCREW ST 8X1/2 TA MSH PH SS PK | |
| 23 | 425974 | ELBOW NOZZLE SD3 | |
| 24 | 426712P | LID ASSY WHITE 7 UL PKD | |
| 25 | 426546P | TOP DECK WHITE 7 ASSY PKD | |
| 26 | 611923P | SCREW ST 8X5/8 TAB MSH PH X10 | |
| 27 | 425413 | BUFFER LID WHITE | |
| 28 | 425950 | CORD SET UL | |
| NI | * 502220 | KIT LEVER & BRACKET OUT OF BAL | |

425686 LEVER BALANCE SWITCH

425772 BRACKET OOB SD2

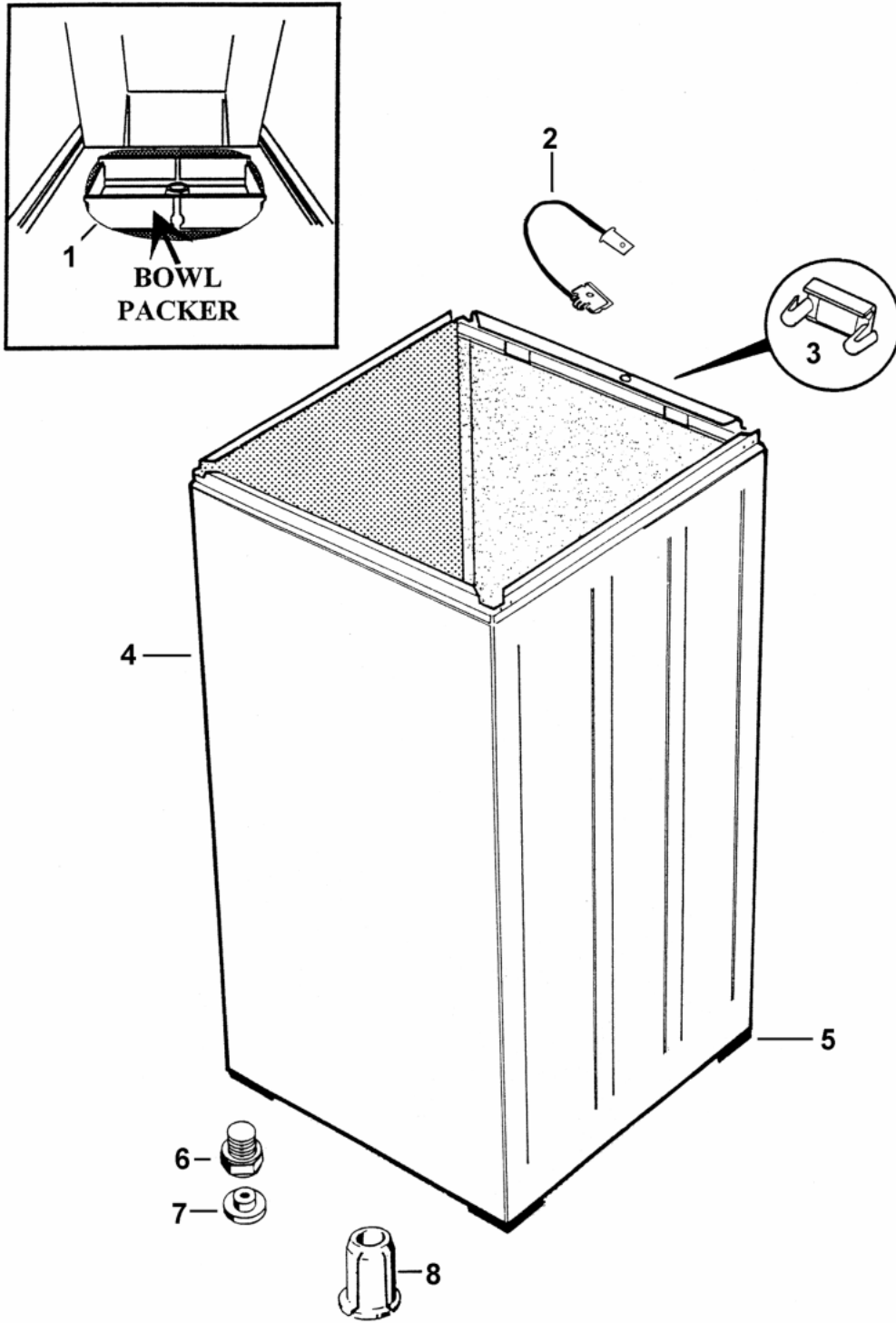
TOP DECK AND ELECTRONICS



TOP DECK AND ELECTRONICS

| REF | PART | DESCRIPTION | MODEL |
|------------|-------------|--------------------|--------------|
| NI | 388491 | CAP VALVE | |

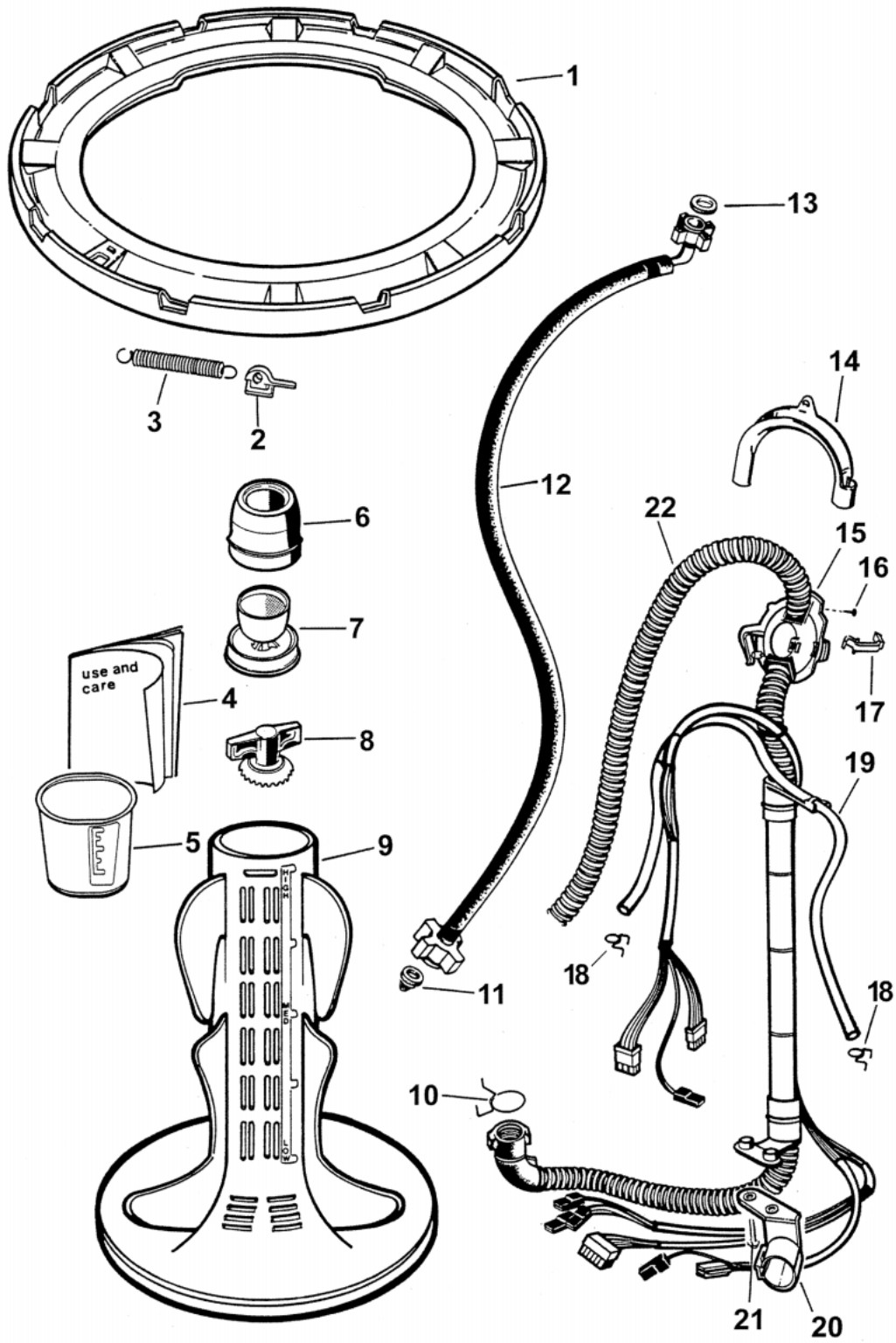
WRAPPER



WRAPPER

| REF | PART | DESCRIPTION | MODEL |
|------------|-------------|---------------------------------------|--------------|
| 1 | 426283 | PACKER BOWL 7 SERIES (VISY) | |
| 2 | 426512 | WIRE CABINET EARTH SD200 | |
| 3 | 426058 | COVER EARTH CLIP | |
| 4 | 426663P | WRAPPER ASSY 7 PKD | |
| | | <i>426058 COVER EARTH CLIP</i> | |
| | | <i>426153 FOOT LEVELLING</i> | |
| | | <i>426621 WIRE CABINET EARTH CLIP</i> | |
| | | <i>426657 CORNER CABINET BOTTOM</i> | |
| 5 | 426366 | CORNER CABINET BOTTOM | |
| 6 | 426153 | FOOT LEVELLING | |
| 7 | 426154 | INSERT FOOT | |
| 8 | 425095 | NUT TRANSIT | |

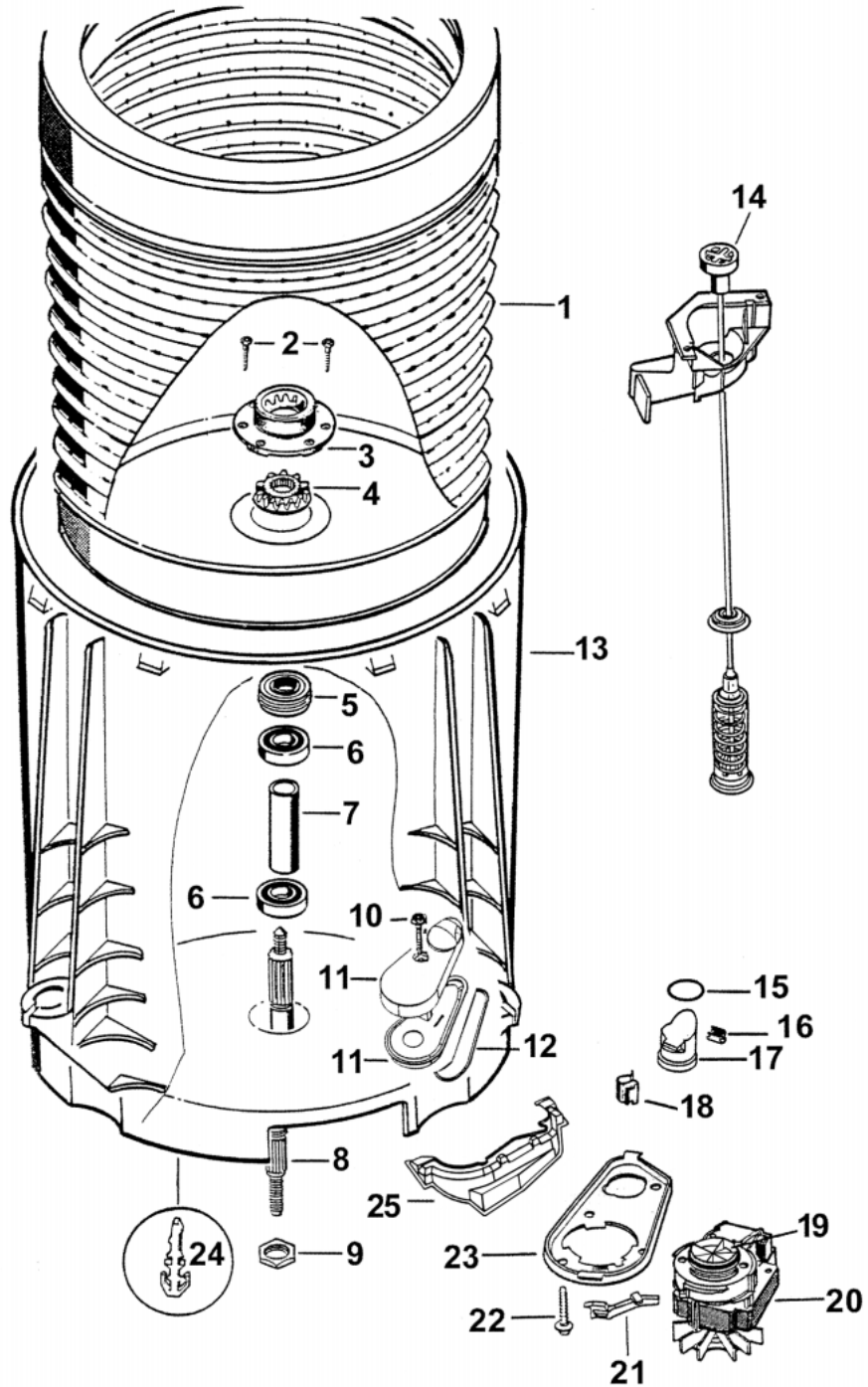
AGITATOR AND HOSES



AGITATOR AND HOSES

| REF | PART | DESCRIPTION | MODEL |
|------------|-------------|-----------------------------------|--------------|
| 1 | * 426363 | NECK RING ASSEMBLY 7 SERIES | |
| 2 | 425531 | CLIP BIAS SPRING | |
| 3 | 425173 | SPRING BIAS | |
| 4 | 426339 | BOOK USE & CARE | GWL03 |
| | 426442 | BOOK USE & CARE SD8 USA | GWL08 |
| 5 | NOT USED | | |
| 6 | 426893 | DISPENSER TOP WHITE | |
| 7 | 426894 | DISPENSER BOTTOM IW | |
| 8 | 425059 | NUT AGITATOR | |
| 9 | 425025 | AGITATOR | |
| 10 | 422500 | CLAMP HOSE 031.5 | |
| 11 | 426150 | FILTER INLET USA | |
| 12 | 425963 | HOSE INLET ASSY-USA | |
| 13 | 426149# | SEAL CONNECTOR | |
| 14 | 422808 | GUIDE OUTLET HOSE | |
| 15 | 425152 | FIXTURE DRAIN HOSE | |
| 16 | 611933P | SCREW ST 8X5/8 TA MTS PH H5 X1 | |
| 17 | 425487 | CLIP FIXTURE DRAIN HOSE | |
| 18 | 425611 | CLAMP HOSE 08.5 TALL GRIP | |
| 19 | 425299 | TUBE PRESSURE SENSOR SD2 | |
| 20 | 425503 | BRACKET DRAIN HOSE | |
| 21 | 425150P | SCREW ST 1/4 X 1"PLASTITE X10 | |
| 22 | 426139P | HOSE DRAIN & WIRING ASSY UL PK | |
| NI | 425627P | HOSE DRAIN EXTENSION | |
| NI | 426343 | VIDEO CASSETTE USA NTSC | |
| NI | 426341 | LEAFLET INSTALLATION INSTRUCTIONS | |
| NI | 426190 | LEAFLET SERVICE SUMMARY | GWL03 |
| | 426342 | LEAFLET SERVICE SUMMARY | GWL08 |
| NI | 426340 | CARD REGISTRATION USA | |
| NI | 426344 | LABEL ENERGY GUIDE USA | GWL03 |
| | 426347 | LABEL ENERGY GUIDE USA | GWL08 |
| NI | 479168 | ADAPTOR INLET VALVE U.S.A. | |

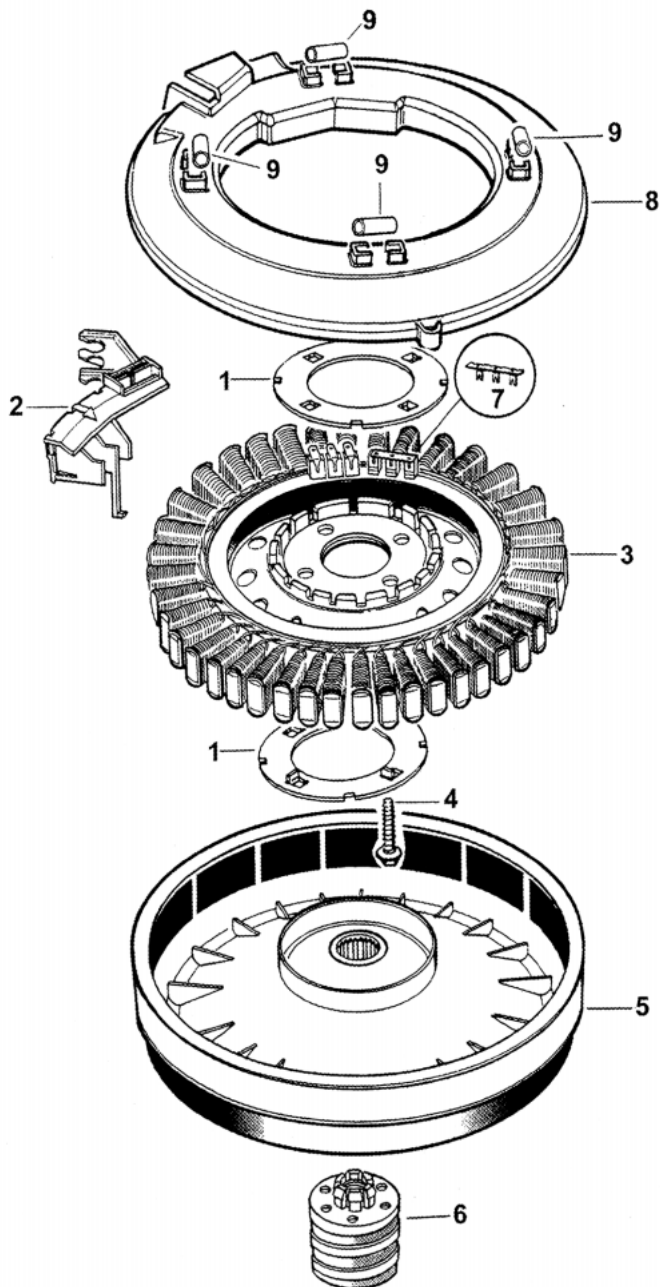
INNER AND OUTER BOWLS AND PUMP



INNER AND OUTER BOWLS AND PUMP

| REF | PART | DESCRIPTION | MODEL |
|------------|-------------|--|--------------|
| 1 | 426099P | BOWL INNER 700 ASSY PKD <i>425080 SPLINE DRIVEN</i> <i>425131P SCREW CLUTCH X10 PKD</i> <i>425596 SPLINE DRIVE ASSY</i> | |
| 2 | 425131P | SCREW CLUTCH X10 PKD | |
| 3 | 425080 | SPLINE DRIVEN | |
| 4 | 425596 | SPLINE DRIVE ASSY | |
| 5 | 425009P | LIPSEAL PKD | |
| 6 | 425006P | BEARING 6005LLU PKD | |
| 7 | 425007 | SPACER BEARING | |
| 8 | 425013 | SHAFT (ZP5294) | |
| 9 | 425171 | NUT BEARING | |
| 10 | 425162P | SCREW COVER X10 PKD | |
| 11 | 477022P | KIT DRAIN CAP & HOOD <i>425115 SEAL PUMP CAP</i> | |
| 12 | 425115 | SEAL PUMP CAP | |
| 13 | 425925P | BOWL OUTER ASSY 700 PKD | |
| 14 | 425779 | SUSPENSION ASSY | |
| 15 | 425149 | SEAL O RING PRESSURE CHAMBER | |
| 16 | 613710 | CLIP EDGE | |
| 17 | 425097 | PLUG PRESSURE CHAMBER | |
| 18 | 613709 | CLIP PIPE UNITED CARR FT19280- | |
| 19 | 426359 | IMPELLOR VORTEX | |
| 20 | 426375P | PUMP DRAIN 110V UL PACKED <i>426359 IMPELLOR VORTEX</i> | |
| 21 | 425128 | CLIP PUMP RETAINING | |
| 22 | 425150P | SCREW ST 1/4 X 1"PLASTITE X10 | |
| 23 | 425028 | BRACKET PUMP | |
| 24 | 472867 | CLIP WIRING OUTER BOWL | |
| 25 | NOT USED | | |
| NI | 502009 | KIT SERVICE TOOL | |

MOTOR



MOTOR

| REF | PART | DESCRIPTION | MODEL |
|------------|-------------|---|--------------|
| 1 | 426174 | CLAMP PLATE STATOR LANCED | |
| 2 | * 425221P | SENSOR ROTOR POSITION | |
| | | <i>472867 CLIP WIRING OUTER BOWL</i> | |
| 3 | 426181P | KIT STATOR & CLAMP PLATES | |
| | | <i>426174 CLAMP PLATE STATOR LANCED</i> | |
| 4 | 426835P | SCREW STATOR PKT OF 10 | |
| 5 | 425620P | ROTOR FERRITE PKD | |
| 6 | 425016 | NUT ROTOR | |
| 7 | * 425104 | BRIDGE TERMINAL | |
| 8 | 425961 | SHIELD MOTOR SD UL | |
| 9 | 426145 | TUBE BUFFER SHIELD MOTOR UL | |

NOTES

TOP DECK AND ELECTRONICS

Technical Bulletins

| | |
|--------|-------|
| 21 | WM002 |
| 3 | WM002 |
| 426321 | WM82 |
| 502220 | WM70 |

AGITATOR AND HOSES

Technical Bulletins

| | |
|--------|------|
| 426363 | WM82 |
|--------|------|

MOTOR

Technical Bulletins

| | |
|---------|------|
| 425104 | WM81 |
| 425221P | WM71 |