

# Smart Drive<sup>®</sup> Electronic Washing Machine

## Models

COMPACT	MEDIUM	LARGE
MW511		
MWC11		
GW511	GW611	GW711
GW512	GW612	GW712
GWC11	GWM11	GWL11
GWC12	GWM12	GWL12
IW511	IW711	IW811
IW512	IW712	IW812
	IWM11	IWL11
	IWM12	IWL12





## PRODUCTS

**Brand** Fisher & Paykel

**Voltage** 230-240V 50Hz, 220-240V 60Hz#, 220V 50/60Hz+, 110-115V 60Hz\*

**Models** **Product Codes** **Series 11 - Phase 6**

Compact (5.5KG)

IW511 Intuitive 92152 (NZ)

Compact

GW511 92149 (NZ) 93149 (AU)

GWC11 94149 (HK) 94158SA (HK)

MW511 92148 (NZ) 93148 (AU)

MWC11 94159 (PH)+ 94148 (HK)

Medium (6.5KG)

GW611 92150 93150

GWM11 94150

Large 7.5KG

GW711 92151 (NZ) 93151 (AU)

GWL11 94151 (HK) 94144 (TH)# 94161 (PH)# 95151 (TW)\*

Medium (7KG)

Intuitive Eco  
IW711 92153 93153

IWM11 94153

Large (8KG)

Intuitive Eco  
IW811 92154 (NZ) 93154 (AU)

IWL11 94154 (HK) 94164 (PH)+ 94147 (TH)#

Fisher & Paykel Customer Services  
PO Box 798  
19 Enterprise St  
Cleveland, Queensland 4163  
Australia  
Tel: (07) 3826 9122  
Fax: (07) 3826 9164  
Email: parts@fp.com.au  
A.C.N 003 335 171

Fisher & Paykel Ltd  
Appliance Spare Parts  
PO Box 14-148, Panmure.  
80 Springs Rd, East Tamaki  
New Zealand  
Tel: (09) 272 0261  
Fax: (09) 272 0219  
Email: parts@fp.co.nz

Fisher & Paykel Ltd  
International Division  
PO Box 14-917, Panmure.  
78 Springs Rd, East Tamaki  
New Zealand  
Tel: (09) 2730660  
Fax: (09) 2730580  
Email: parts.international@fp.co.nz

## PRODUCTS

**Brand** Fisher & Paykel

**Voltage** 230-240V 50Hz, 220-240V 60Hz#, 220V 50/60Hz+, [110-115V 60Hz\\*](#)

**Models** **Product Codes** **Series 12 - Phase 6**

Compact (5.5KG)

[IW512 Intuitive](#) 92177 (NZ)

Compact

GW512 92170 (NZ) 93170 (AU)

GWC12 94170 (HK) 94171SA(HK)

Medium (6.5KG)

GW612 92172 (NZ) 93172 (AU)

GWM12 94172 (HK)

Large 7.5KG

GW712 92173 (NZ) 93173 (AU)

GWL12 94173 (HK) 94174 (TH)# 94175 (PH)+ [95173 \(TW\)\\*](#)

Medium (7KG)

[Intuitive Eco](#)  
[IW712](#) 92178 (NZ) 93178 (AU)

[IWM12](#) 94178 (HK)

Large (8KG)

[Intuitive Eco](#)  
[IW812](#) 92179 (NZ) 93179 (AU)

[IWL12](#) 94179 (HK) 94180 (TH)# 94181 (PH)+

## CONTENTS

TOP DECK AND ELECTRONICS.....	6
WRAPPER.....	12
AGITATOR AND HOSES.....	14
INNER AND OUTER BOWLS AND PUMP.....	18
MOTOR.....	22
NOTES.....	25

### GUIDE TO USING THIS MANUAL

The model(s) and/or series covered by this manual are listed on the front cover.

The information detailed in this manual is subject to change without notice, the latest version is indicated by the reprint date and replaces any earlier editions.

The front cover picture shows the type of product and may not necessarily be an exact image of the models covered by the manual.

#### Part References

Where a Model is shown, the part is exclusive to the Model(s) stated. Common parts relating to a part reference are applicable to all other Model(s) which use the particular item.

#### Kit Parts

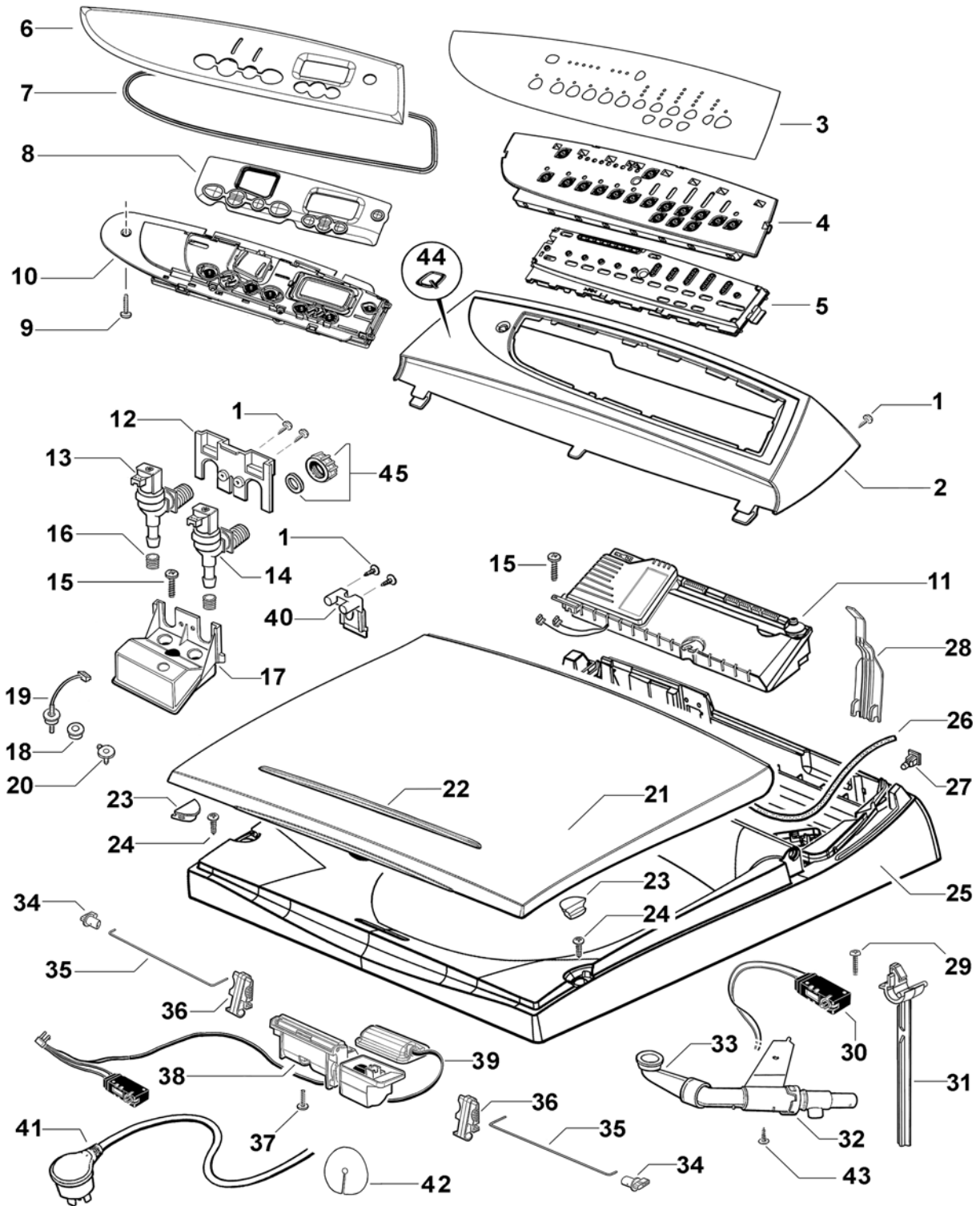
The components shown in *italics* are those parts in the kit which are available also as separate items. In addition, some parts may be supplied with this kit which are not available as separate items and are therefore not listed in this manual.

All details relating to Technical Bulletins or Notes are shown on a dedicated page. The Technical Bulletin Number shown relates to the bulletin version which is produced for the Global Service Centres.

#### Parts List Key

NOT USED	As a part, indicates the diagram part reference is not used in this manual.
#	Beside the part number, indicates the part is no longer available.
<i>italics</i>	Kit components shown in <i>italics</i> are also available separately.
*	Indicates a technical bulletin or note exists for the part or part reference.
NI	As a part reference, indicates the part is not illustrated on the diagram.

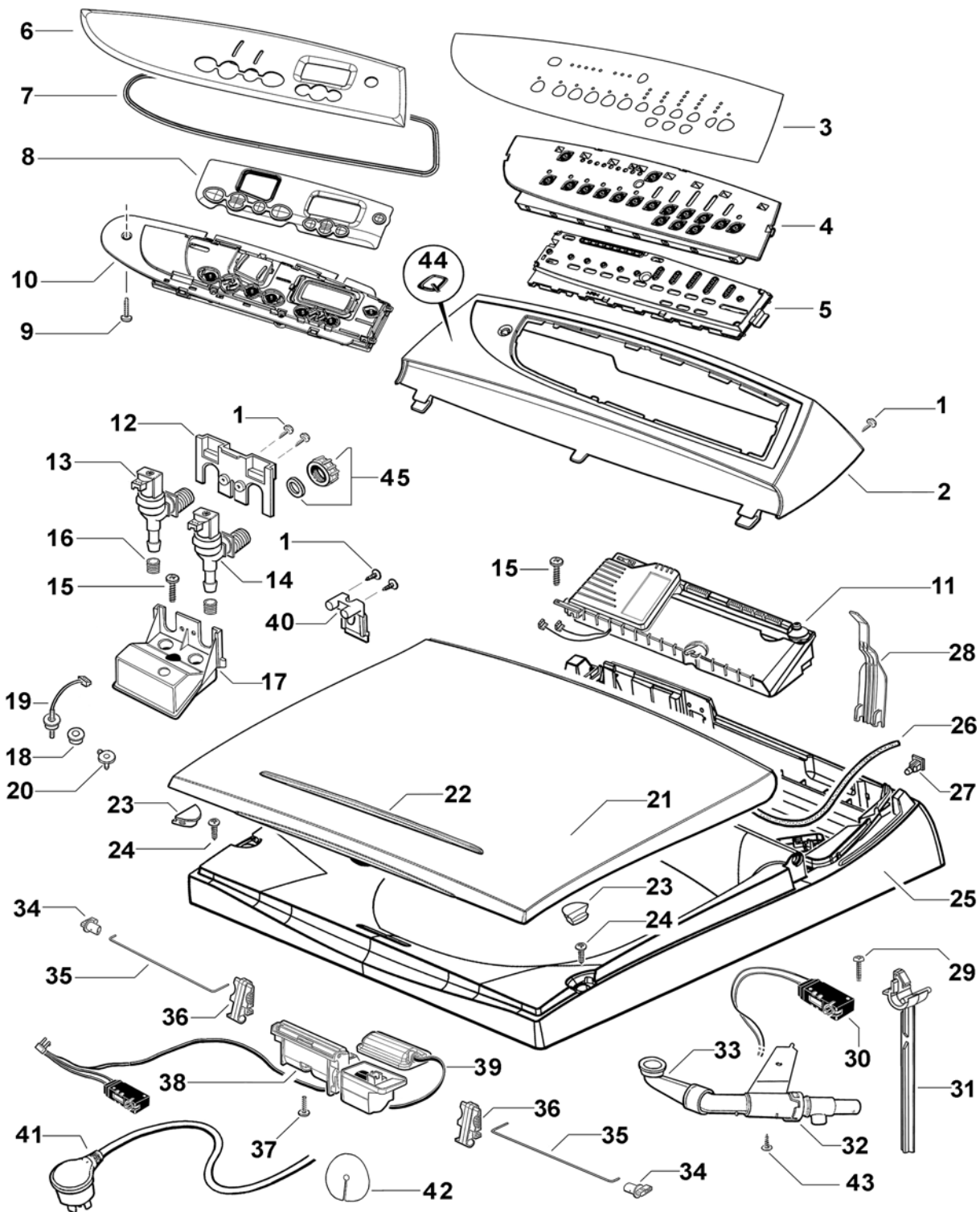
# TOP DECK AND ELECTRONICS



## TOP DECK AND ELECTRONICS

REF	PART	DESCRIPTION	SERIES 11, PHASE 6, MODEL:	SERIES 12, PHASE 6, MODEL:
1	611933P	SCREW ST 8X5/8 TA MTS PH ZNPL		
2	420113	CONSOLE PRINTED GWC11	MW511, MWC11, GW511, GWC11,	GW512, GWC12
	420281	CONSOLE PRINTED GWC11 SA	GWC11	GWC12
	420114	CONSOLE PRINTED GWM11	GW611, GWM11	GW612, GWM12
	420115	CONSOLE PRINTED GWL11	GW711, GWL11,	GW712, GWL12
	420116	CONSOLE PRINTED IWC11	IW511	IW512
	420152	CONSOLE PRINTED IWM11	IW711, IWM11	IW712, IWM12
	420153	CONSOLE PRINTED IWL11	IW811, IWL11	IW812, IWL12
3	420064	PANEL TOUCH MW11 FP White	MW511, MWC11	
	420065	PANEL TOUCH GW11 FP White	GW511, GWC11, GW611, GWM11, GW711, GWL11	
	420378	PANEL TOUCH GW12 FP WH		GW512, GWC12, GW612, GWM12, GW712, GWL12
	420283	PANEL TOUCH GW11 FP Sandstone	GWC11	
	420379	PANEL TOUCH GW12 FP Sandstone		GWC12
	420065	PANEL TOUCH GW12 FP WH	GWL11 Taiwan	
	420066	PANEL TOUCH GWL11 TW	GWL11 Taiwan (supplied in MI pack)	
4	426819	INSERT CONSOLE GW11	MW11, GW11	
5	420089P	DISPLAY MW11	MW511, MWC11	
	420090P	DISPLAY GW11	GW511, GWC11, GW611, GWM11, GW711, GWL11	GW512, GWC12, GW612, GWM12, GW712, GWL12
6	420120	FACIA ASSY PRINTED IW11	IW511	
	420155	FACIA ASSY PRINTED IW11 ECO	IW711, IWM11, IW811, IWL11	
7	420099	SEAL FACIA IW11	IW11	
8	426785	BUTTONS IW11	IW11	
9	611803P	SCREW ST 8X25 T25 PAN PH (PKT 10)	IW11	
10	420291P	DISPLAY IW11 (was 420091P)	IW11	
	420373P (NZ/AU)	DISPLAY IW12 230V		IW12
11	420092AUP	CONTROLLER SD11 230V NON ECO	GW511, GW611, GW711	
	420092HKP	CONTROLLER SD11 230V NON ECO	GWC11, GWM11, GWL11	
	420092NZIP	CONTROLLER SD11 230V NON ECO	GW511, GW611, GW711	
	420092PHP	CONTROLLER SD11 230V NON ECO	GWL11	
	420092THP	CONTROLLER SD11 220V NON ECO	GWL11	
	420094TWP	CONTROLLER SD11 120V ECO	GWL11 Taiwan	

### TOP DECK AND ELECTRONICS

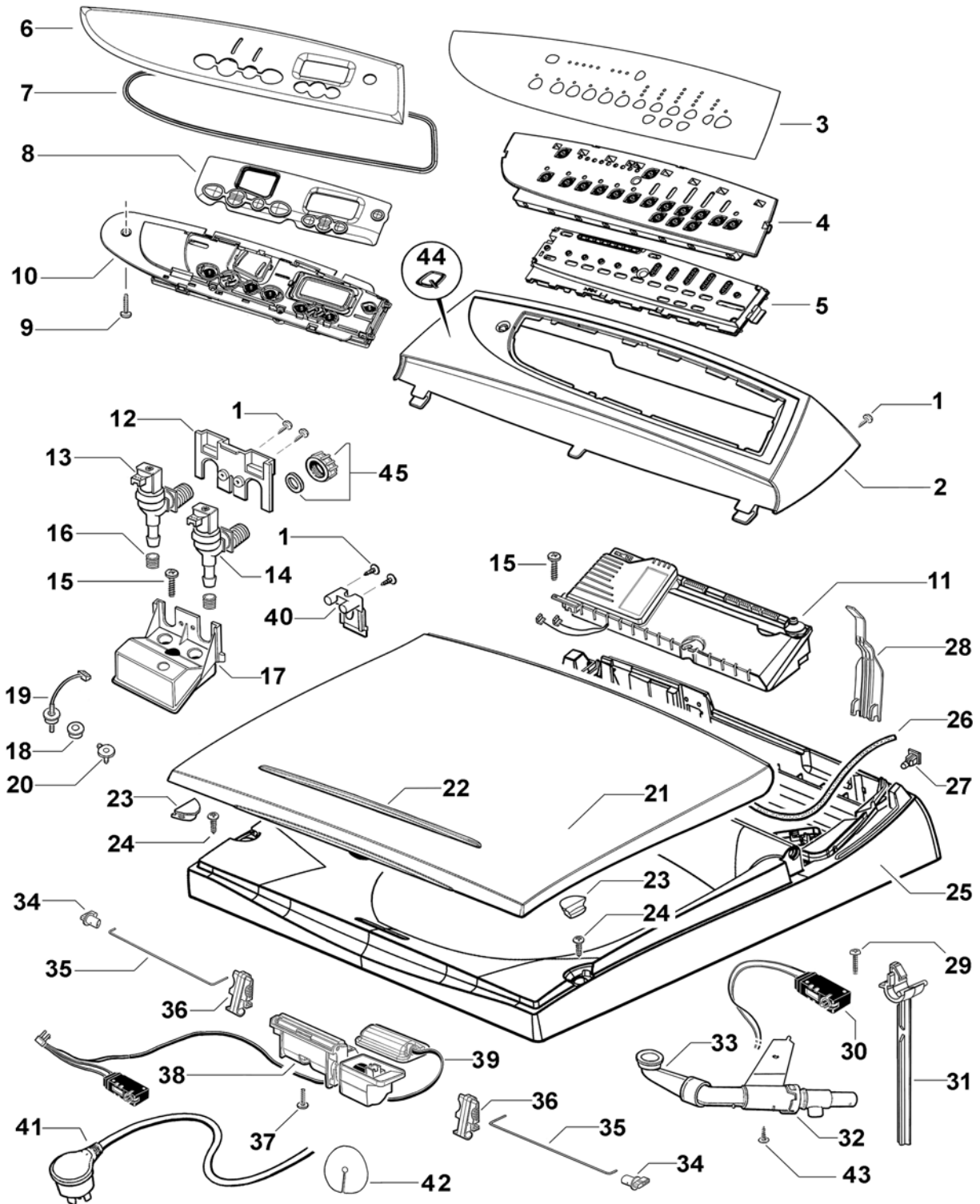




## TOP DECK AND ELECTRONICS

REF	PART	DESCRIPTION	SERIES 11, PHASE 6, MODEL:	SERIES 12, PHASE 6, MODEL:
11	420376P (NZ/AU)	CONTROLLER SD12 230V NON ECO		GW512, GW612, GW712
	420376HKP	CONTROLLER SD12 230V NON ECO		GWC12, GWM12, GWL12
	420376PHP	CONTROLLER SD12 230V NON ECO		GWL12
	420376THP	CONTROLLER SD12 220V NON ECO		GWL12
	420377TWP	CONTROLLER SD12 120V ECO		GWL12 <a href="#">Taiwan</a>
	420093AUP	CONTROLLER IW11 230V ECO	IW811	IW712, IW812
	420093HKP	CONTROLLER IW11 230V ECO	IWL11	IWM12, IWL12
	420093NZIP	CONTROLLER IW11 230V ECO	IW511, IW811	IW512, IW712
	420093PHP	CONTROLLER IW11 230V ECO	IWL11	IWL12
	420093THP	CONTROLLER IW11 230V ECO	IWL11	IWL12
12	425339	BRACKET VALVE SD2		
13	420148	VALVE INLET PROPORTIONAL 24V	GW & IW only	
	420147	VALVE INLET DIGITAL 24V 10L	MW	
14	420147	VALVE INLET DIGITAL 24V 10L		
<b>PART NUMBERS &amp; COMPONENTS IN GREEN FONT APPLICABLE TO INTUITIVE / ECO MODELS ONLY</b>				
15	* 611986P	SCREW ST 8X20MM HILO PAN PH X1		
16	425251	SEAL INLET VALVE		
17	426464	CHAMBER INLET ASSY SD200		
18	426752	SEAL THERMISTOR SS		
19	479193P	KIT THERMISTOR & SEAL UL		
	426949	<i>THERMISTOR ASSY SD200 UL</i>		
	426752	<i>SEAL THERMISTOR SS</i>		
	479165	<i>LEAFLET THERMISTOR SD200</i>		
20	420416	SEAL CHAMBER INLET BLANKING (Replaces 479181)	MW511, MWC11	
	479181	KIT THERMISTOR BLANK (SS by 420416)	MW511, MWC11	
	426752	<i>SEAL THERMISTOR SS</i>		
	426759	<i>BLANK THERMISTOR 4.0/4.5MM</i>		
21	426794P	LID C11 WHITE PKD	MW511, MWC11 GW511, GWC11 IW511	GW512, GWC12 IW512
	420279P	LID C11 SANDSTONE PKD	GWC11	GWC12
	426795P	LID M11 WHITE PKD	GW611, GWM11, IW711, IWM11	GW612, GWM12, IW712, IWM12
	426796P	LID L11 WHITE PKD	GW711, GWL11, IW811, IWL11	GW712, GWL12, IW812, IWL12
22	420109	GRIP LID SD11	IW only	
23	426793P	BUFFER LID SD11 (PKT 2)		
	420280P	BUFFER LID SD11 SANDSTONE (PKT 2)		

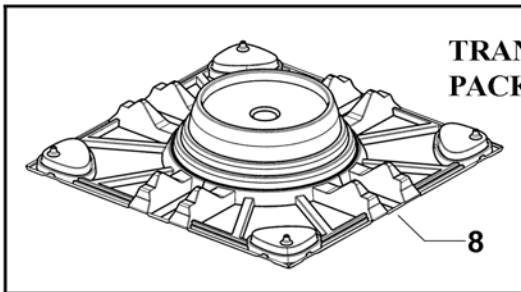
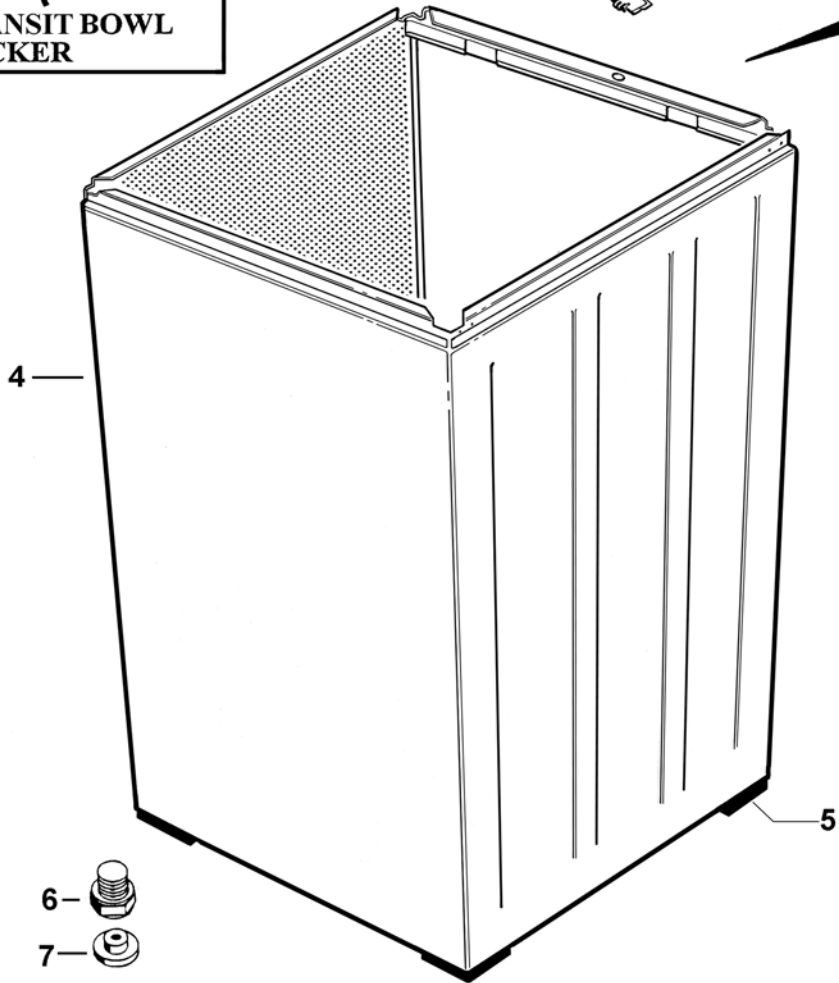
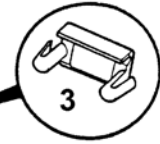
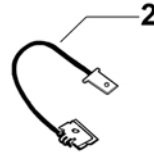
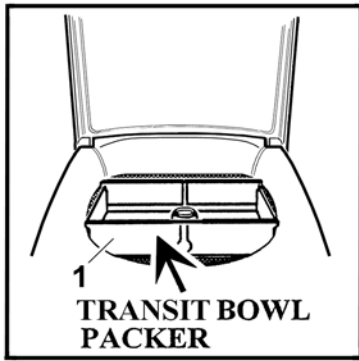
# TOP DECK AND ELECTRONICS



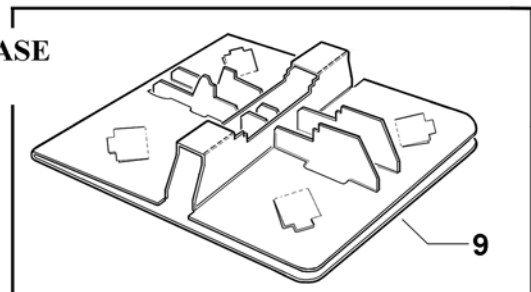
## TOP DECK AND ELECTRONICS

REF	PART	DESCRIPTION	SERIES 11, PHASE 6, MODEL:	SERIES 12, PHASE 6, MODEL:
24	611810P	SCREW ST 8X5/8 MSH PAN PH SS430 (PKT 10)	Top Deck	
25	426776	TOP DECK C11 WHITE	MW511, MWC11 GW511, GWC11 IW511	GW512, GWC12, IW5112
	420278	TOP DECK C11 SANDSTONE	GWC11	GWC12
	426777	TOP DECK M11 WHITE	GW611, GWM11 IW711, IWM11	GW612, GWM12 IW712, IWM12
	426778	TOP DECK L11 WHITE	GW711, GWL11 IW811, IWL11	GW712, GWL12 IW812, IWL12
26	426273	GASKET CONSOLE FOAM CUT		
27	422402P	NUT SNAP IN SPIRE P0071/05/01/00		
28	420133	COVER WIRING TOPDECK SD11		
29	611801P	ST M3X18 PLASTITE PAN PH ZNPL (PKT 10)		
30	* 420305	HARNESS LIDLOCK SD11 <i>Includes.420293 SEALED MICROSWITCH</i>		
31	426474	LEVER BALANCE CUPPED		
32	420143	NOZZLE ASSY SD11		
	420145	NOZZLE INLET MW11	MW11	
33	425974	ELBOW NOZZLE SD3		
34	426825	HINGE LID SD11		
35	No Longer Required	SPRING LID TORSION SD11 (was 420040)		
36	No Longer Required	RETAINER TORSION LID SD11 (was 420039)		
37	611808P	SCREW ST 8X1/2 T25 PAN PH 430SS (PKT 10)		
38	420036	LIDLOCK ASSY SD11		
39	* 420305	HARNESS LIDLOCK SD11 <i>Includes.420293 SEALED MICROSWITCH</i>		
40	426440	CLAMP MAINS HARNESS 220/240V		
41	420295	CORD SET TAIWAN	TAIWAN	
	426557	CORD SET SD200 (Will SS to 420421)	NZ / AUST	
	420421	CORD SET SD NZ/AU INSULATED PIN	NZ / AUST	
	426723	CORD SET PHILLIPINES SD200	PHILLIPINES	
	426743	CORD SET BRITISH SD200	HONG KONG	
42	420262	SHIELD MAINS HARNESS		
43	611807P	SCREW ST 8X1/2 TA MSH PH SS430 (PKT10)	Nozzle	
44	420239	BADGE Q MOULDED MEDIUM	IW only	
45	388491	CAP VALVE BLANKING		
	420017	CONNECTOR SEAL VALVE CAP		

# WRAPPER



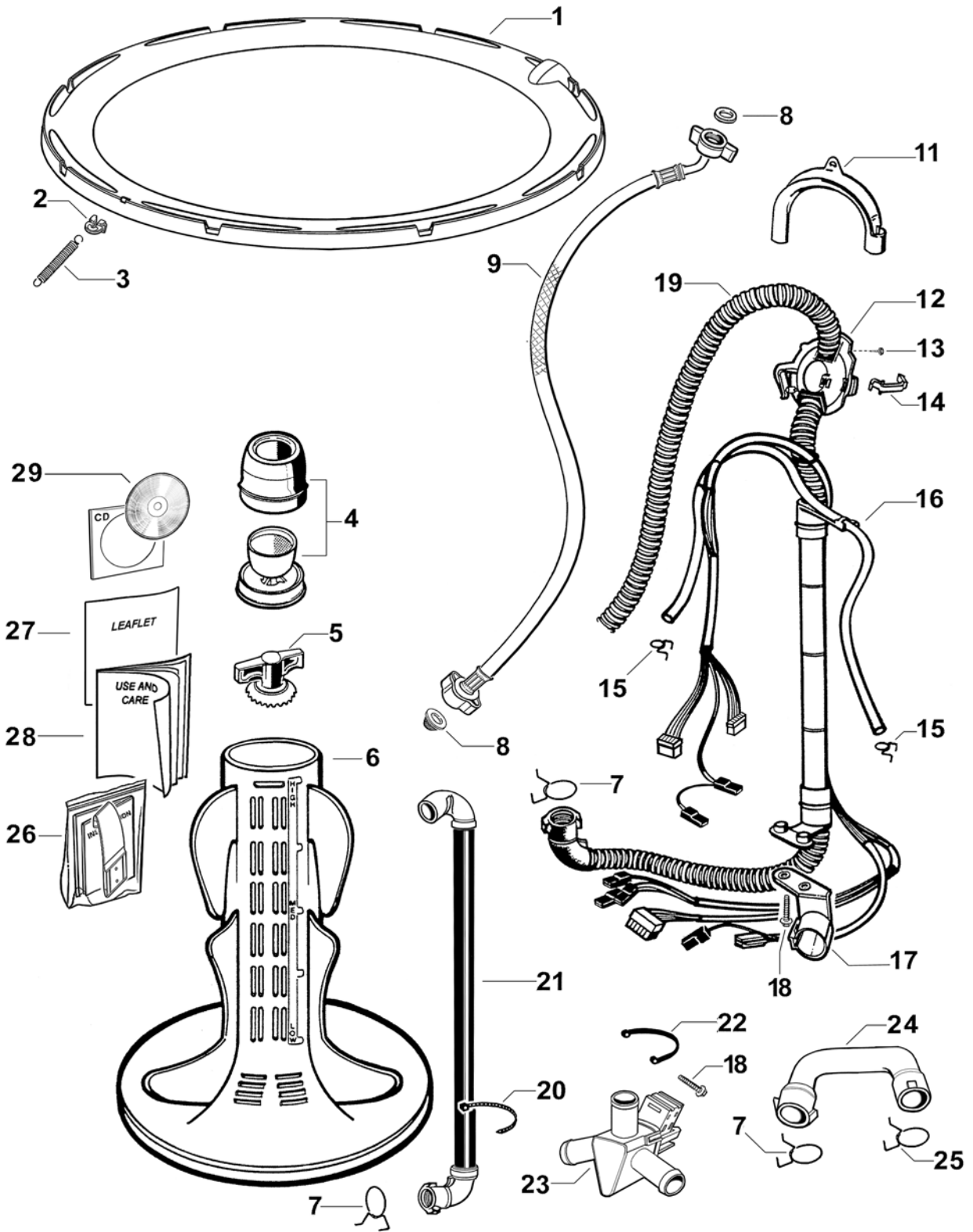
TRANSIT BASE  
PACKER



**WRAPPER**

REF	PART	DESCRIPTION	SERIES 11, PHASE 6, MODEL:	SERIES 12, PHASE 6, MODEL:
1	420069	PACKER BOWL C11	MW511, MWC11 GW511, GWC11 IW511	GW512, GWC12 IW512
	420070	PACKER BOWL M11	GW611, GWM11, IW711, IWM11	GW612, GWM12 IW712, IWM12
	420071	PACKER BOWL L11	GW711, GWL11, IW811, IWL11	GW712, GWL12, IW812, IWL12
2	426512	WIRE CABINET EARTH SD200		
3	426058	COVER EARTH CLIP		
4	426661P	WRAPPER ASSY 5 PKD	MW511, MWC11 GW511, GWC11 IW511	GW512, GWC12 IW512
	426058	COVER EARTH CLIP		
	426153	FOOT LEVELLING		
	426512	WIRE CABINET EARTH SD200		
	426657	CORNER CABINET BOTTOM		
	426672P	WRAPPER ASSY 500 SANDSTONE	GWC11	GWC12
	426058	COVER EARTH CLIP		
	426153	FOOT LEVELLING		
	426621	WIRE CABINET EARTH CLIP		
	426657	CORNER CABINET BOTTOM		
	426662P	WRAPPER ASSY 6 PKD	GW611, GWM11 IW711, IWM11	GW612, GWM12 IW712, IWM12
	426153	FOOT LEVELLING		
	426512	WIRE CABINET EARTH SD200		
	426657	CORNER CABINET BOTTOM		
	426663P	WRAPPER ASSY 7 PKD	GW711, GWL11 IW811, IWL11	GW712, GWL12 IW812, IWL12
	426058	COVER EARTH CLIP		
	426153	FOOT LEVELLING		
	426621	WIRE CABINET EARTH CLIP		
	426657	CORNER CABINET BOTTOM		
5	426657	CORNER CABINET BOTTOM		
6	472969P	KIT FOOT & INSERT		
	426153	FOOT LEVELLING		
	426154	INSERT FOOT		
7	479183	INSERT FOOT (PKT X4)		
	426154	INSERT FOOT		
8	420051	PACKER BTTM VAC FORMED USA		
9	420180	PACKER BASE C LOCAL	MW511, MWC11 GW511, GWC11 IW511	GW512, GWC12 IW512
	478039	PACKER BASE M LOCAL	GW611, GWM11, IW711, IWM11	GW612, GWM12, IW712, IWM12
	420181	PACKER BASE L LOCAL	GW711, GWL11, IW811, IWL11	GW712, GWL12, IW812, IWL12

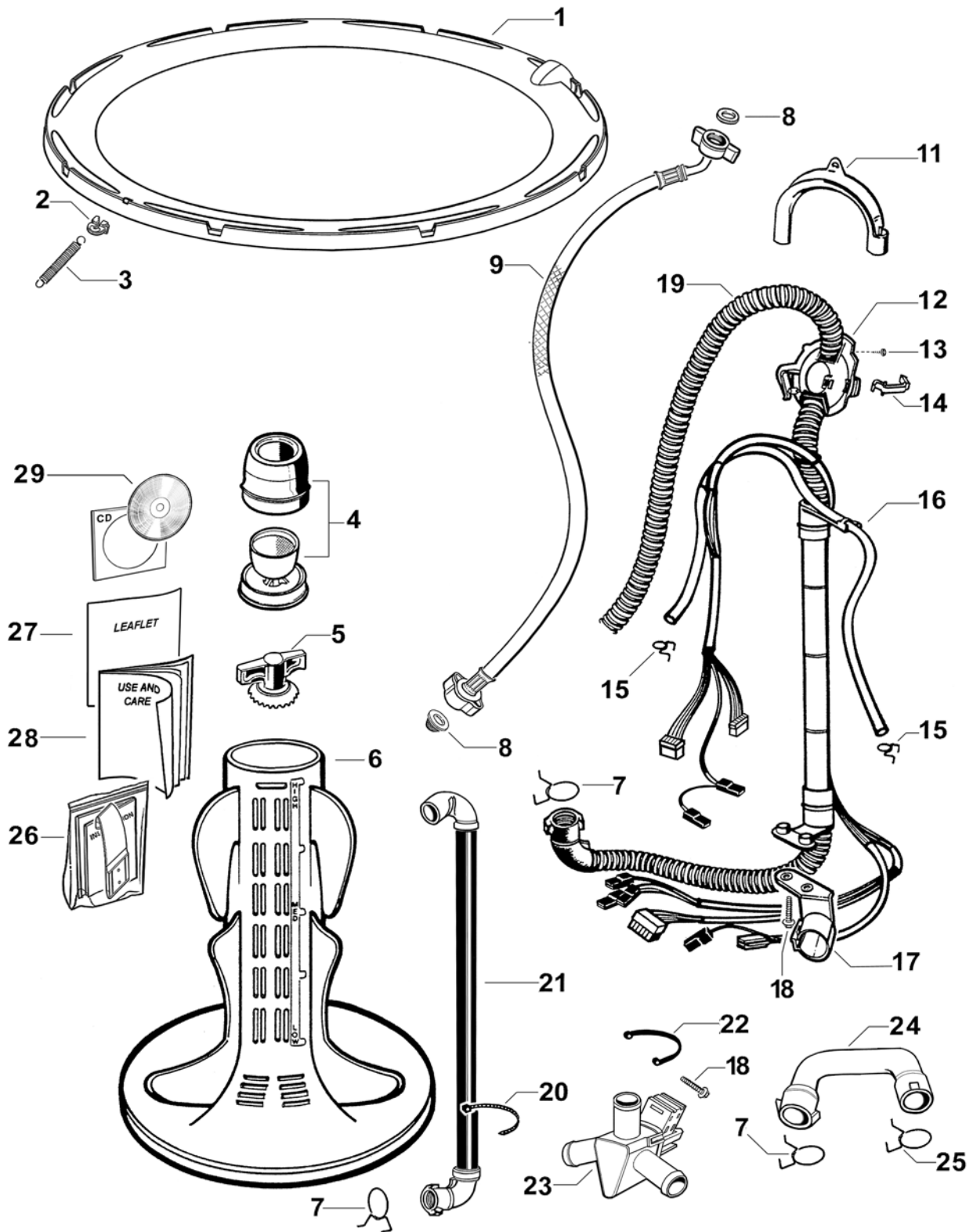
# AGITATOR AND HOSES



## AGITATOR AND HOSES

REF	PART	DESCRIPTION	MODEL
1	426807P	NECK RING ASSY C11	MW511, MWC11, GW511, GW512, GWC11,GWC12, IW511, IW512
	426810	NECK RING C11	
	420197	CLIP BIAS SPRING	
	420122	SPRING BIAS	
	426808P	NECK RING ASSY M11	GW611, GW612, GWM11, GWM12, IW711, IW712, IWM11, IWM12
	426811	NECK RING M11 LT GREY	
	420197	CLIP BIAS SPRING	
	420122	SPRING BIAS	
	426809P	NECK RING ASSY L11	GW711, GW712, GWL11, GWL12 IW811, IW812, IWL11, IWL12
	426812	NECK RING L11 LT GREY	
	420197	CLIP BIAS SPRING	
	420122	SPRING BIAS	
2	420197	CLIP BIAS SPRING SD11	
3	420122	SPRING BIAS SD11	
4	426993P	DISPENSER ASSY WHITE	
5	425059	NUT AGITATOR	
6	425025p	AGITATOR PKD	
7	422500	CLAMP HOSE 031.5	
8	420016P	KIT FILTER / CONNECTOR SEAL (2 EACH)	
	420016	FILTER INLET MIFLEX (2)	
	420017	CONNECTOR SEAL MIFLEX (2)	
9	426925	HOSE INLET ASSY MIFLEX (10MM ID) SS by 420375	Standard NZ/AUST
	420016	FILTER INLET MIFLEX	
	420017	CONNECTOR SEAL MIFLEX (2)	
	420375	HOSE INLET ASSY MIFLEX II (10MM ID)	Standard NZ/AUST
		FILTER INLET PLASTIC	
		CONNECTOR SEAL(2)	
	422680	HOSE INLET LONG (2MX10MM ID) PKD	Optional NZ/AUST
	420016	FILTER INLET MIFLEX	
	420017	CONNECTOR SEAL MIFLEX (2)	
	* 426123	HOSE INLET ASSY (12MM ID)	Standard Rest Of The
	420016	FILTER INLET MIFLEX	World
	420017	CONNECTOR SEAL MIFLEX (2)	
11	422808	GUIDE OUTLET HOSE	
12	426455	FIXTURE DRAIN HOSE	
13	611933P	SCREW ST 8X5/8 TA MTS PH H5 X1	
14	425487	CLIP FIXTURE DRAIN HOSE	
15	425611	CLAMP HOSE 08.5 TALL GRIP	
16	425299	TUBE PRESSURE SENSOR SD2	
17	425503	BRACKET DRAIN HOSE	
18	425150P	SCREW ST 1/4 X 1"PLASTITE (PKT 10)	

### AGITATOR AND HOSES

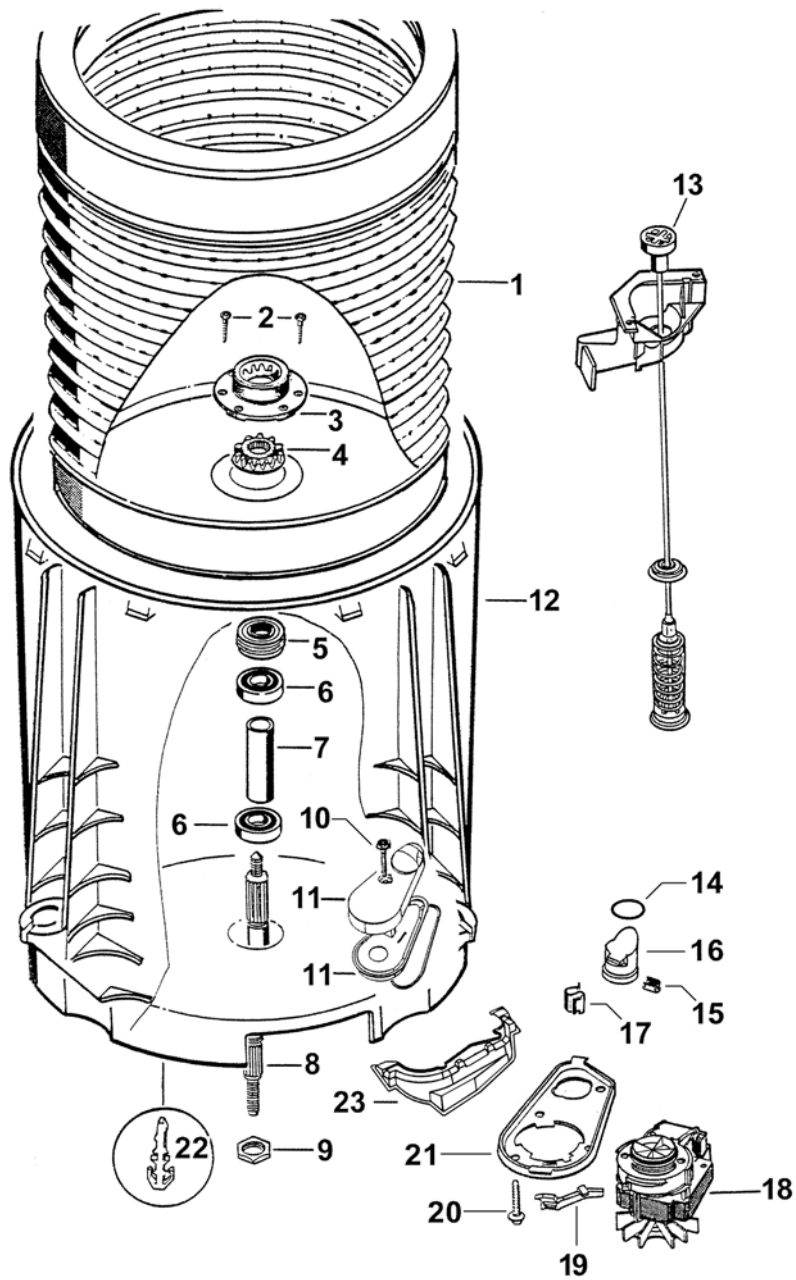




## AGITATOR AND HOSES

REF	PART	DESCRIPTION	MODEL
19	420112	HOSE & HARNESS ASSY SD11	
	420126	HOSE & HARNESS ASSY SD11 ECO	
20	621954	TIE T30R 150X3.5 HAMER	
21	426863	HOSE RECIRC ASSY SD10	
22	426958	CLAMP DIVERTER VALVE	
23	426862P	VALVE DIVERTER SD10	
	420301	COVER DIVERTER VALVE	
	420311	LABEL – “Do Not Remove Cover from Valve”	
24	426695	HOSE PUMP DIVERTER	
25	422503	CLAMP HOSE 028	
26	479273	KIT CATCH LID	
	479263	CATCH LID PARTIAL OPENING	
	479278	TAPE FOAM DIE CUT 46X40X1	
	479272	LEAFLET INSTALLATION CATCH LID	
27	420081	LEAFLET LID ALIGNMENT	
28	420075	BOOK USE & CARE GW11 NZ/AU	
	420390	BOOK USE & CARE GW12 NZ/AU	
	420076	BOOK USE & CARE IW11 NZ/AU/TH/HK/PH	
	420389	BOOK USE & CARE IW12 AU	IW812
	420150	BOOK USE & CARE BILINGUAL GW11 (ENGLISH & MANDARIN LANGUAGE)	
	420392	BOOK USE & CARE BILINGUAL GW12	
	479314	CARD WARRANTY REGISTRATION ALL PRODUCT NZ/AU	
29	420080	COMPACT DISC IW11 NZ/AU	
	420393	COMPACT DISC IW12 NZ/AU	
<b>PART NUMBERS &amp; COMPONENTS IN GREEN FONT APPLICABLE TO INTUITIVE / ECO MODELS ONLY</b>			

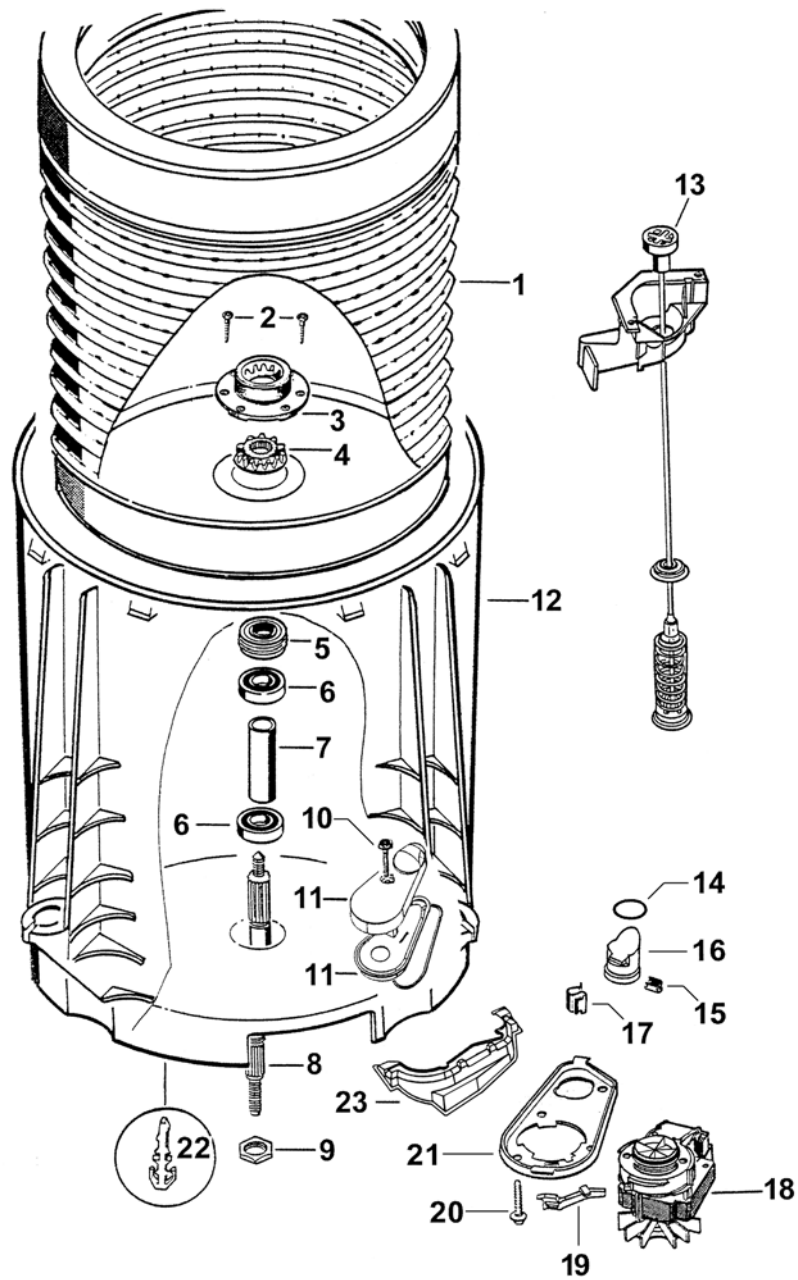
# INNER AND OUTER BOWLS AND PUMP



## INNER AND OUTER BOWLS AND PUMP

REF	PART	DESCRIPTION	MODEL
1	426097P	BOWL INNER 500 ASSY PKD	MW511, MWC11, GW511, GW512, GWC11,GWC12, IW511, IW512
	425080	<i>SPLINE DRIVEN</i>	
	425131P	<i>SCREW CLUTCH X10 PKD</i>	
	425596	<i>SPLINE DRIVE ASSY</i>	
	426098P	BOWL INNER 600 ASSY PKD	GW611, GW612, GWM11,GWM12 IW711, IW712, IWM11, IWM12
	425080	<i>SPLINE DRIVEN</i>	
	425131P	<i>SCREW CLUTCH X10 PKD</i>	
	425596	<i>SPLINE DRIVE ASSY</i>	
	426099P	BOWL INNER 700 ASSY PKD	GW711, GW712, GWL11, GWL12 IW811, IW812, IWL11, IWL12
	425080	<i>SPLINE DRIVEN</i>	
	425131P	<i>SCREW CLUTCH X10 PKD</i>	
	425596	<i>SPLINE DRIVE ASSY</i>	
2	425131P	SCREW CLUTCH X10 PKD	
3 & 4	479318	KIT SPLINE DRIVE	
	425080	<i>SPLINE DRIVEN</i>	
	425596	<i>SPLINE DRIVE ASSY</i>	
5	425009P	LIPSEAL PKD	
6	425006P	BEARING 6005LLU PKD	
7	425007	SPACER BEARING	
8	425013P	SHAFT PACKED	
9	425171	NUT BEARING	
10	425162P	SCREW COVER X10 PKD	
11	* 479188P	KIT DRAIN CAP HOOD & IMPELLOR	
	425115	<i>SEAL PUMP CAP</i>	
	* 420319	<i>IMPELLOR INSERT ASSY</i>	
	426939	<i>CAP PUMP RIBBED</i>	
	426940	<i>HOOD PUMP</i>	
12	425923P	BOWL OUTER ASSY 500 PKD	MW511, MWC11, GW511, GW512, GWC11, GWC12 IW511, IW512
	425006	<i>BEARING 6005LLU</i>	
	425007	<i>SPACER BEARING</i>	
	425009	<i>LIP SEAL</i>	
	425115	<i>SEAL PUMP CAP</i>	
	425162	<i>SCREW COVER</i>	
	426939	<i>CAP PUMP RIBBED</i>	
	426940	<i>HOOD PUMP</i>	
	425924P	BOWL OUTER ASSY 600 PKD	GW611, GW612, GWM11, GWM12
	425006	<i>BEARING 6005LLU</i>	
	425007	<i>SPACER BEARING</i>	
	425009	<i>LIP SEAL</i>	
	425115	<i>SEAL PUMP CAP</i>	
	425162	<i>SCREW COVER</i>	
	426939	<i>CAP PUMP RIBBED</i>	
	426940	<i>HOOD PUMP</i>	

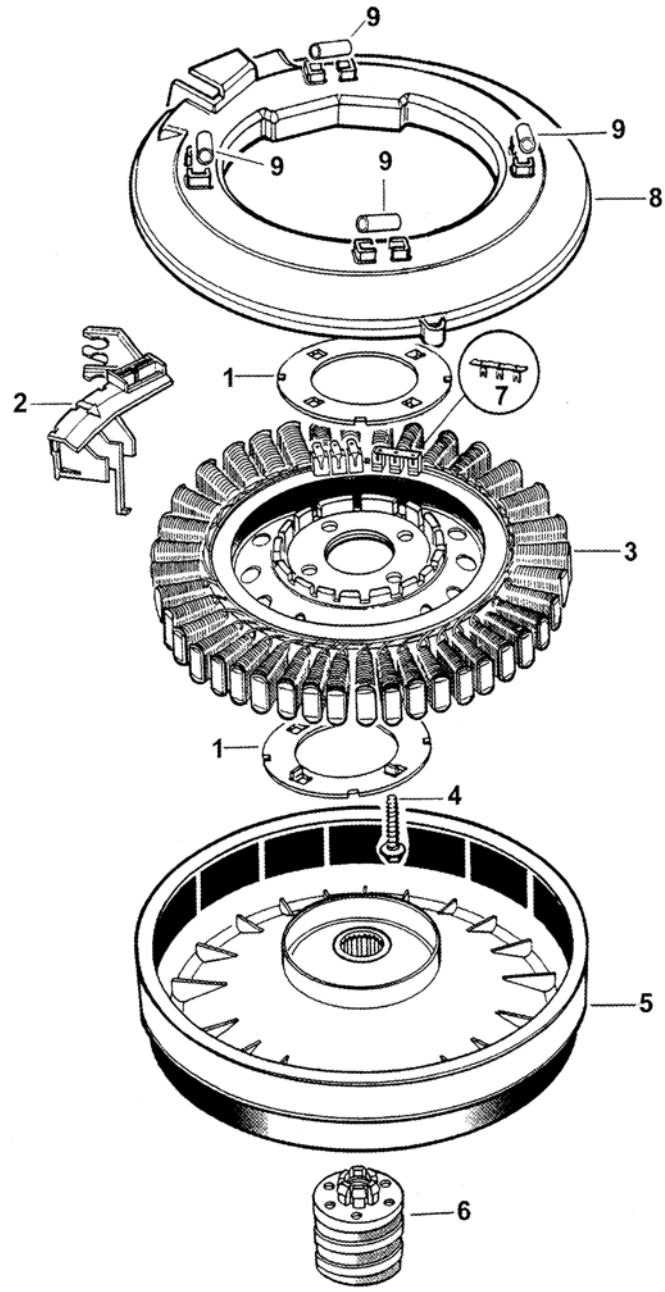
# INNER AND OUTER BOWLS AND PUMP



## INNER AND OUTER BOWLS AND PUMP

REF	PART	DESCRIPTION	MODEL
12	425925P	BOWL OUTER ASSY 700 PKD (Notch to be cut out for Recirculating Hose)	GW711, GW712, GWL11GWL12
	425006	BEARING 6005LLU	
	425007	SPACER BEARING	
	425009	LIP SEAL	
	425115	SEAL PUMP CAP	
	425162	SCREW COVER	
	426939	CAP PUMP RIBBED	
	426940	HOOD PUMP	
	425924P	BOWL OUTER ASSY 600 PKD (Notch to be cut out for Recirculating Hose)	IW711, IW712, IWM11, IWM12
	425006	BEARING 6005LLU	
	425007	SPACER BEARING	
	425009	LIP SEAL	
	425115	SEAL PUMP CAP	
	425162	SCREW COVER	
	426939	CAP PUMP RIBBED	
	426940	HOOD PUMP	
	425925P	BOWL OUTER ASSY 700 PKD (Notch to be cut out for Recirculating Hose)	IW811, IW812, IWL11, IW812
	425006	BEARING 6005LLU	
	425007	SPACER BEARING	
	425009	LIP SEAL	
	425115	SEAL PUMP CAP	
	425162	SCREW COVER	
	426939	CAP PUMP RIBBED	
	426940	HOOD PUMP	
13	426750P	SUSPENSION ASSY SQUASHED 4 PACK	
14	425149	SEAL O RING PRESSURE CHAMBER	
15	613710	CLIP EDGE	
16	425097	PLUG PRESSURE CHAMBER	
17	613709	CLIP PIPE UNITED CARR FT19280-ZNPL	
18	420325P	PUMP DRAIN 110V 60Hz	Taiwan
	* 420319	IMPELLOR INSERT ASSEMBLY	
	420326P	PUMP DRAIN 230V 60Hz	Philippines
	* 420319	IMPELLOR INSERT ASSEMBLY	
	420324P	PUMP DRAIN 230V 50Hz	Rest Of The World
	* 420319	IMPELLOR INSERT ASSEMBLY	
19	425128	CLIP PUMP RETAINING	
20	425150P	SCREW ST 1/4 X 1"PLASTITE (PKT 10)	
21	425028	BRACKET PUMP	
22	472867	CLIP WIRING OUTER BOWL	
23	* 426292	SHIELD PUMP SERVICE	

# MOTOR



**MOTOR**

<b>REF</b>	<b>PART</b>	<b>DESCRIPTION</b>	<b>MODEL</b>
1	426174	CLAMP PLATE STATOR LANCED	
2	420296P	SENSOR ROTOR POSITION MK 2	
	472867	<i>CLIP WIRING OUTER BOWL</i>	
3	426454P	STATOR SD200 PKD	
4	426835P	SCREW STATOR (PKT 10)	
5	425620P	ROTOR FERRITE PKD	
6	425016	NUT ROTOR	
7	* 425104	BRIDGE TERMINAL	
8	425961	SHIELD MOTOR SD UL	USA only
9	426145	TUBE BUFFER SHIELD UL	USA only





## NOTES

### Notes

#### TOP DECK AND ELECTRONICS Technical Bulletins

611986P	WM030
420305	WM033

#### AGITATOR AND HOSES

##### Technical Bulletins

426123	WM78
--------	------

#### INNER AND OUTER BOWLS AND PUMP

##### Technical Bulletins

426292	WM81
479188P	WM0013
420319	WM033

#### MOTOR

##### Technical Bulletins

425104	WM81
--------	------