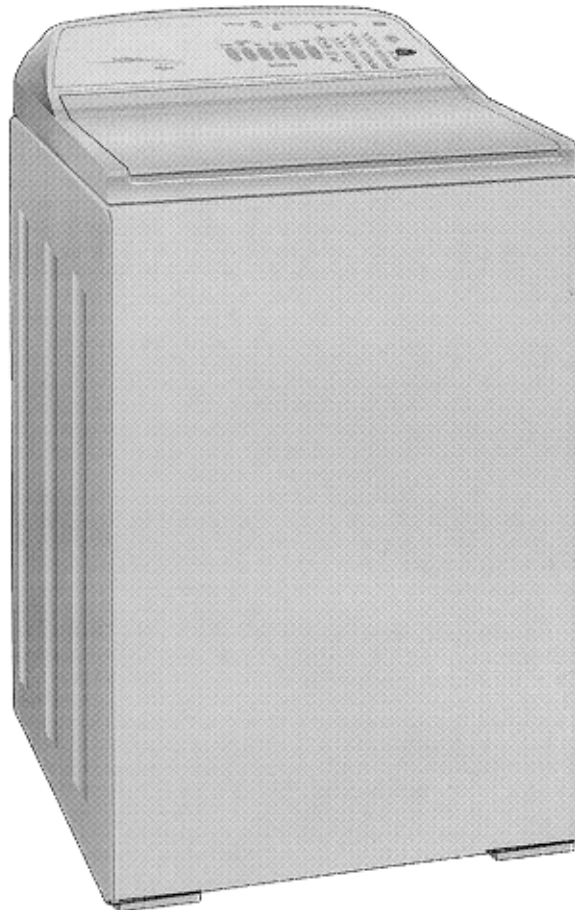


SMART DRIVE ELECTRONIC WASHING MACHINE

MODELS
GWL03—US1 GWL08—US1

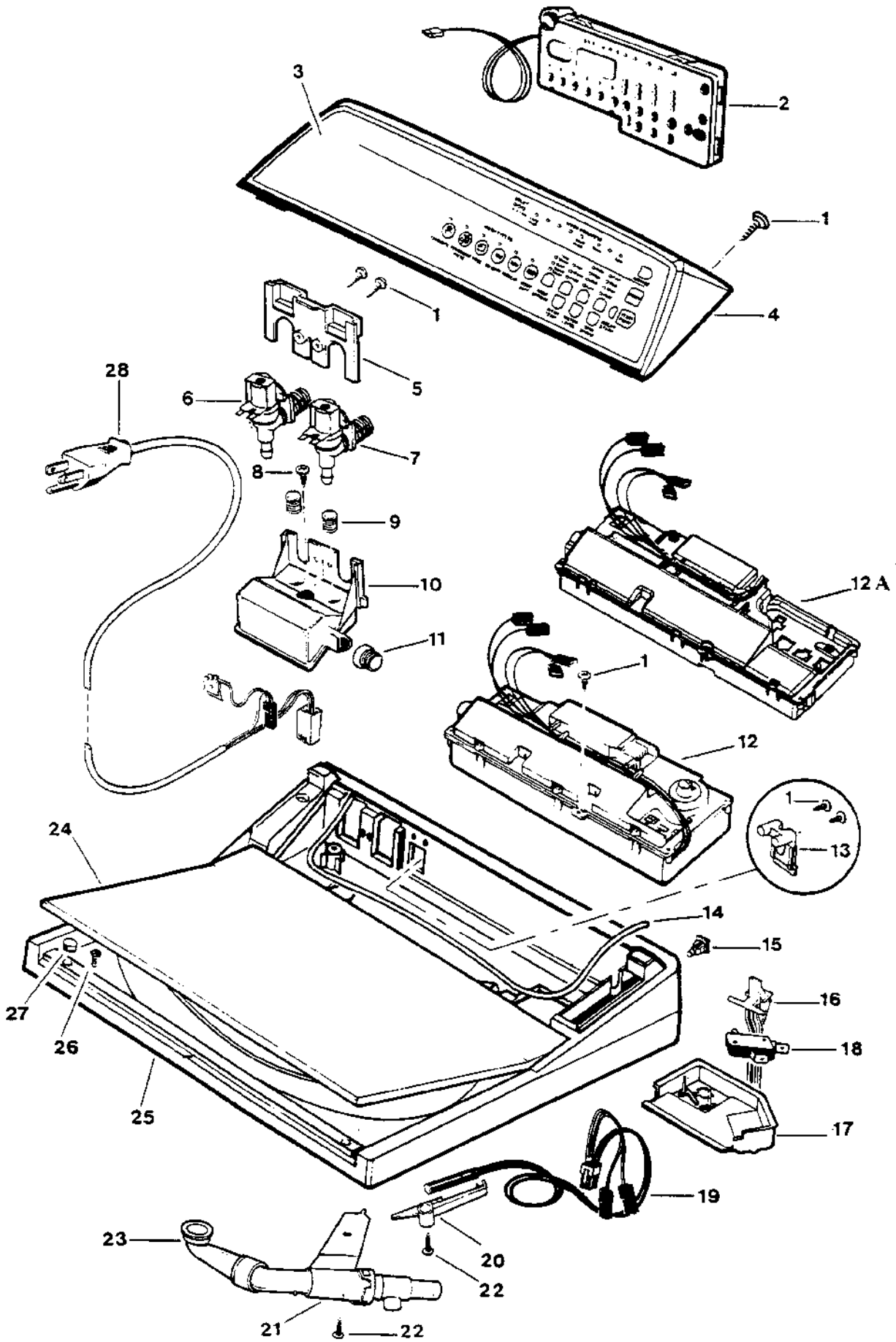


CONTENTS

SMART DRIVE ELECTRONIC WASHING MACHINE	1
CABINET TOP AND CONSOLE	4
CABINET	6
TUB AND COMPONENTS	8
BASKET AND COMPONENTS.....	10
MOTOR	12

CABINET TOP AND CONSOLE

1

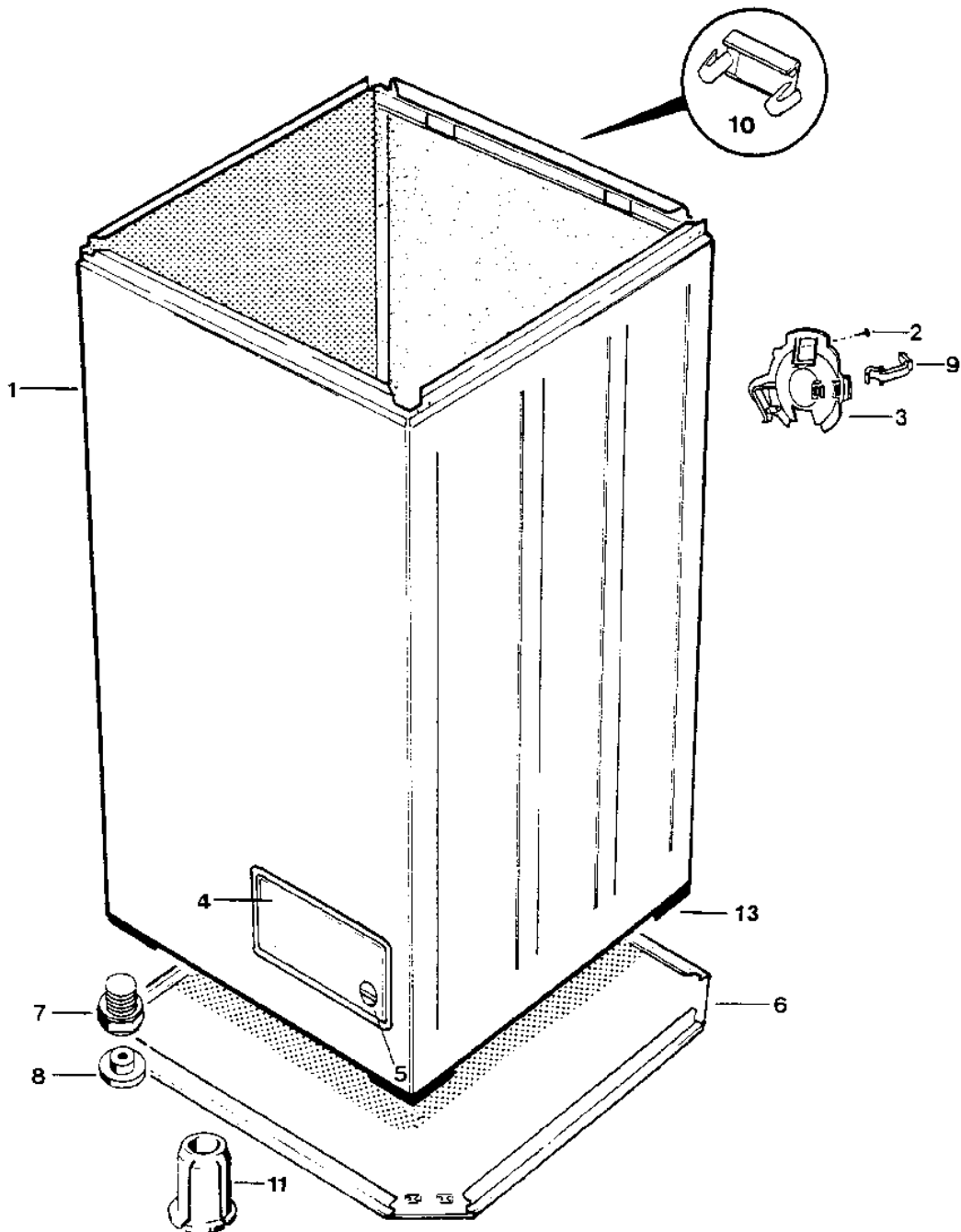
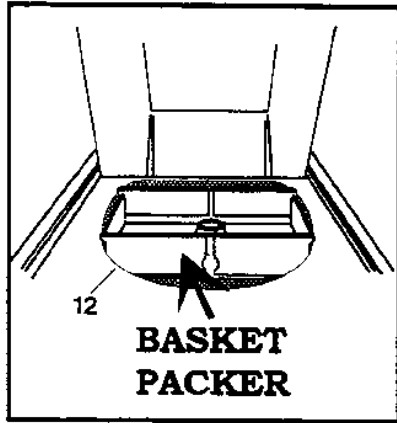


Cabinet Top and Console			
Reference	Part	Description	Notes
1	611933P	Screw, controller console display bracket	8 x 5/8 tab
2	426086P	Module, display 03	03
	426206P	Module, display 08	08
3	426254P	Panel, touch 03	03
	426266P	Panel, touch 08	08
4	426055P	Console	
5	425339	Bracket, valve	
6	426143	Valve, inlet proportional cold	
7	426142	Valve, inlet hot	
8	611986P	Screw, inlet chamber	8 x 20MM
9	425251	Seal, inlet valve	
10	425916	Chamber inlet	
11	425337	Seal, inlet chamber/heat sink	
12	425900P	Controller, motor - 03	03
12A	426205CP	Controller, motor - 08	08
13	426113	Clamp, cord set	
14	426273	Gasket, console	
15	422402P	Nut, snap in	
16	425686	Lever, out of balance	
17	425772	Bracket, out of balance	
18	426597	Switch, out of balance	1/4" Terminal
19	426457	Harness reed switch, out of balance	1/4" Terminal
20	425859	Clip, reed switch	
21	425869	Nozzle, inlet	8 x 1/2
22	611985P	Screw, clip	
23	425974	Elbow inlet	
24	426712P	Lid assembly	
25	426546P	Cover	
26	611923P	Screw, top deck 8 x 5/8 tab	2 required
27	425413	Buffer lid	2 required
28	425950	Cord set	

NOT ILLUSTRATED

	388491	Cap Blanking (to blank off the hot valve when connected to cold water only)	
	502105	Tester, rotor position	Service tool

CABINET



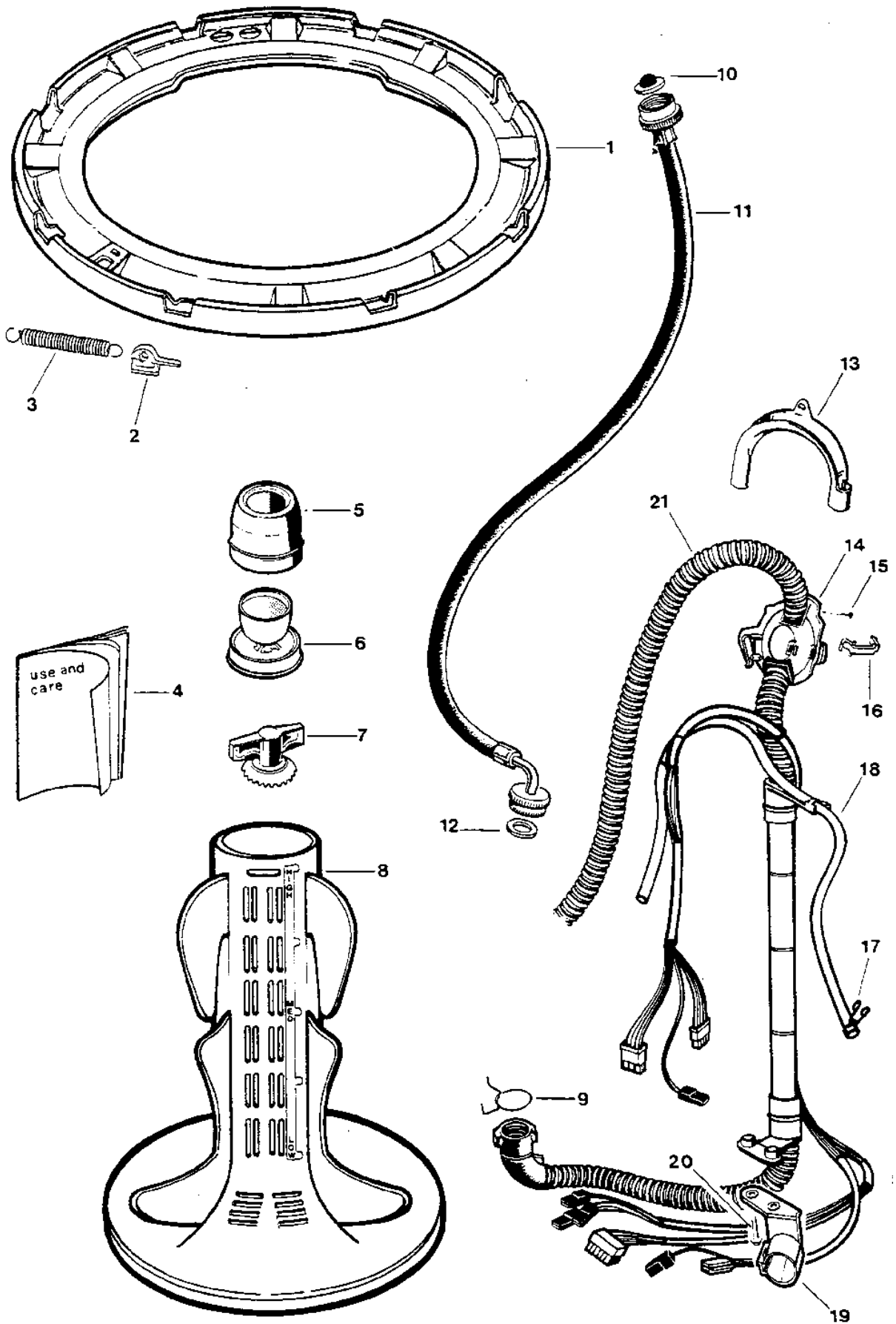
Cabinet			
Reference	Part	Description	Notes
1 *	426663P	Cabinet wrapper	
2	611933P	Screw, fixture	8 x 5/8
3	425152	Fixture drain hose	
4	426140	Servicing hatch	not used w/426663P
5	425154	Latch, servicing hatch	not used w/426663P
6	425076	Base cabinet, old style	Not used w/426663P
7*	426153	Foot, leveling	4 required
8	426154	Foot, insert	4 required
9	425487	Clip, fixture drain hose	
10	426058	Cover, earth clip	
11	425095	Restraint, transit	
12	426283	Packer, basket	
13*	426657	Corner, cabinet bottom	

NOT ILLUSTRATED

	426190	Installation Instructions	
	426342	Manual, Service mini 08	08
	426344	Energy Guide Label	
	426884	Packer, bottom	
	426083	Bag, transit	

* *Included in 426663P*

TUB AND COMPONENTS

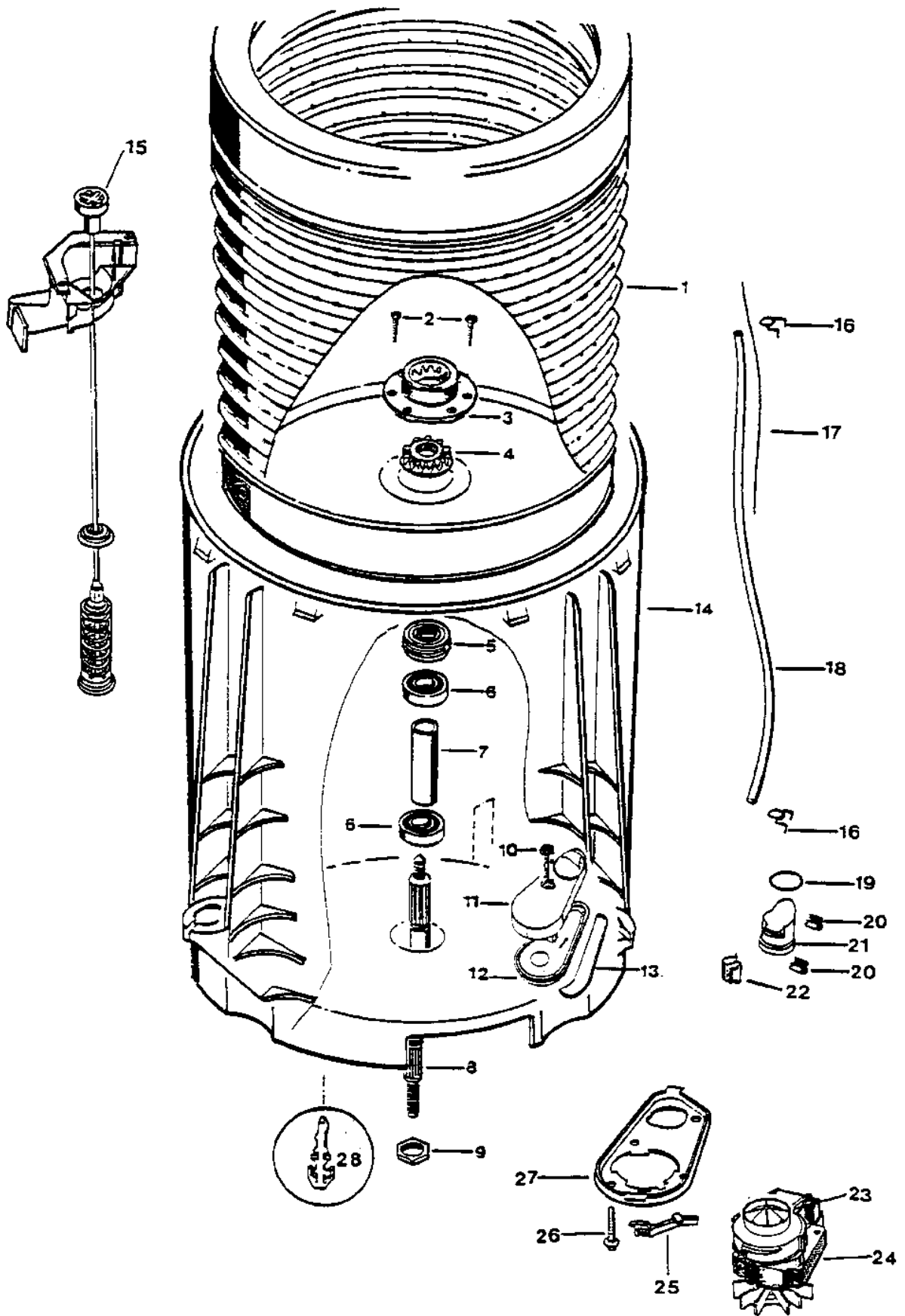


Tub and Components			
Reference	Part	Description	Notes
1	426936	Neck ring assembly	
2	425531	Clip, bias spring	
3	425173	Spring, bias	
4	426442	Guide, use & care - 08	08
	426340	Registration card	All products
	426343	Video, use & care - 08	08
5	426893	Dispenser, top	
6	426894	Dispenser, bottom	
7	495059	Nut, agitator	
8	425025	Agitator	
9	422500	Clamp, hose	
10	426150	Washer, with screen	
11	425963	Hose inlet assembly	
12	426149	Washer, flat	
13	422808	Guide outlet hose	
14	425152	Fixture drain hose	
15	611933P	Screw, fixture drain hose	8 x 5/8
16	425487	Clip, fixture drain hose	
17	425610	Clamp, pressure tube	
18	425299	Tube, pressure	
20	425503	Bracket, drain hose	
20	425150P	Screw, ¹ / ₄ x 1 Plastite	
21	426139	Hose drain and wire harness assembly (also includes items 14, 16, 18)	

NOT ILLUSTRATED

	425627P	Hose, drain extension (3 feet)	
	479186	Adapter, inlet hose (BSP x NPT)	2 required

BASKET AND COMPONENTS



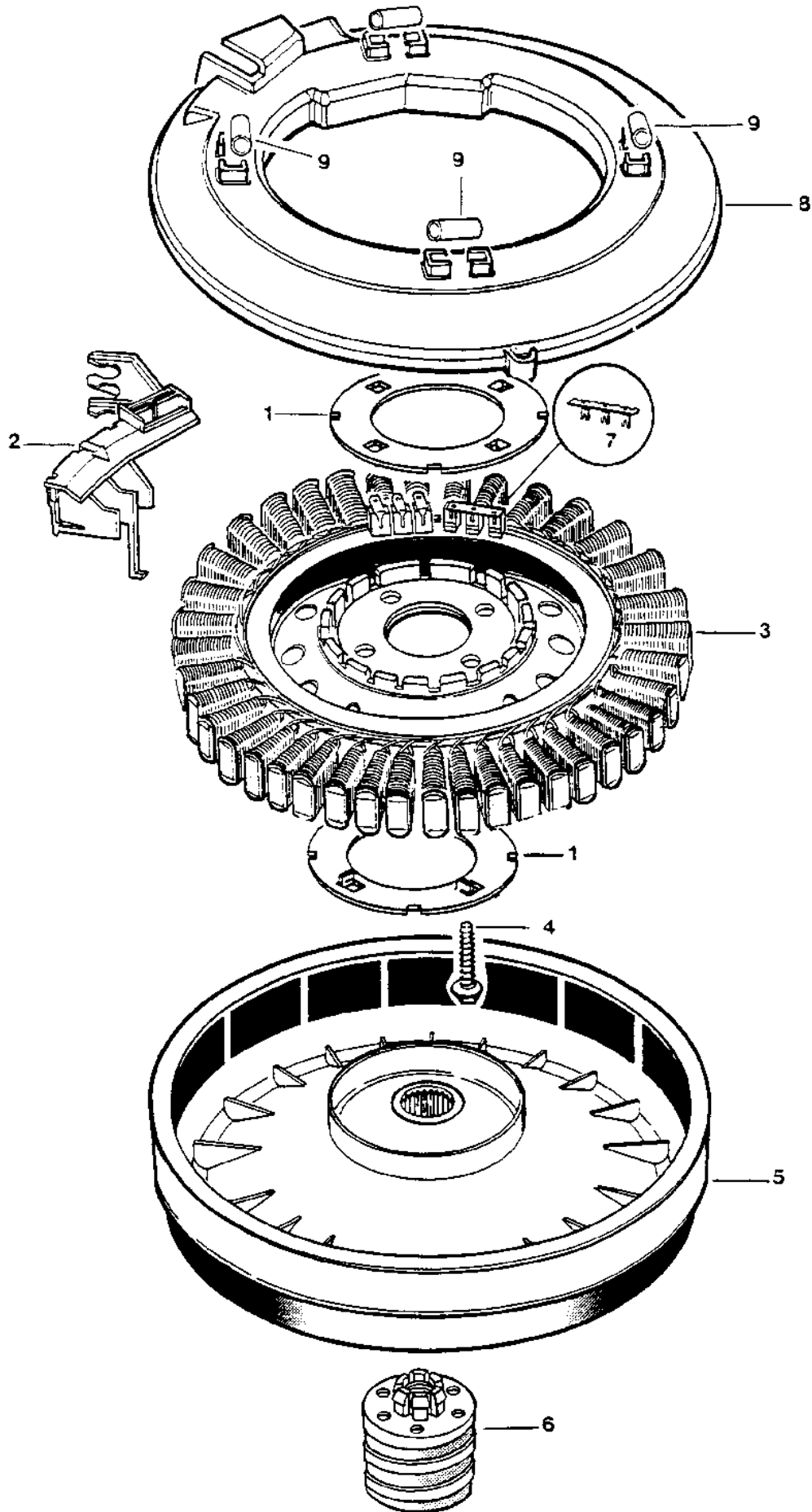
Basket and Components			
Reference	Part	Description	Notes
1	426099	Basket	
2*	425131 P	Screw, clutch	Packet/10
3*	425080	Spline, driven	
4*	425596	Spline, drive	
5	425009P	Lip seal	
6	425006	Bearing	
7	425007	Spacer, bearing	
8	425013	Shaft	
9	425171	Nut, bearing	
10	425162P	Screw, cover	Packet/10
11		Hood, pump	<i>Use kit 479188P</i>
12		Cap, pump	<i>Use kit 479188P</i>
13	425115	Seal, pump cap	<i>Included in kit 479188P</i>
14	425925	Tub assembly	Order lip seal
15	426750	Suspension assembly	4 required
16	425610	Clamp, hose	
17	425771	Insert, pressure tube	
18	425299	Tube, pressure sensor	
19	425249	Seal, pressure chamber	
20	613710	Clip, edge	
21	425097	Plug, pressure chamber	
22	613709	Clip, pipe unit	
23		Impeller pump	<i>Use kit 479188P</i>
24	426375P	Pump, drain complete	
25	425128	Clip, pump retaining	
26	425150P	Screw, pump bracket	Packet/10
27	425028	Bracket, pump	
28	472867	Clip, wiring outer tub	

NOT ILLUSTRATED

	479188P	Kit, pump (impeller, hood, cap & seal)	Update kit
--	---------	--	------------

* *Included in 426099*

MOTOR



Motor			
Reference	Part	Description	Notes
1	426174	Clamp, late assembly	
2	425221 P	Sensor, rotor position	
3	426181 P	Stator, wound	
4	426835	Screw, stator	4 required
5	425620	Rotor	
6	425016	Nut, rotor	
7	425104	Terminal, bridge	
8	425961	Shield, motor	
9	425145	Tube, buffer shield motor	4 required