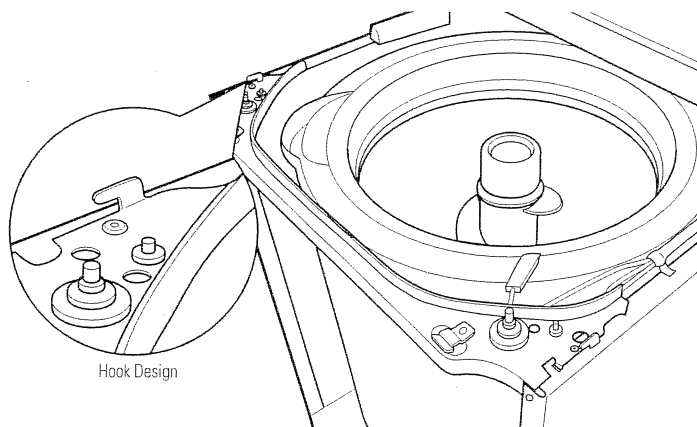


# GE Consumer & Industrial Service Bulletin

August 2009

## Cover and Front Apron Bracket Service Kit

The service kit is to repair washers that have a sagging front apron bracket and/or damaged apron flange. The retrofit uses a "hook" design similar to the rear brace sections to engage the cover for added strength.



### Models Affected

All three-piece apron bracket models without hooks on the front bracket (approximate serial numbers HM - LS)

### Kit Includes:

- Front apron bracket with hooks
- Cover
- (2) Screws
- Bleach funnel (white cover only)
- Installation instructions
- (2) Locking clips

### Special Tools Required:

- 1/8" drill bit

LAUNDRY – TOP-LOAD WASHERS HL 02-09  
MODELS WITH THREE-PIECE APRON BRACKET  
BUILT MAY 2007 THROUGH JUNE 2009

### Repair/Resolution

Remove cover from washer. Carefully peel off and transfer the model serial label from the old cover to the new cover. Remove all hardware from the original cover (bleach funnel, lid, locking clips, lid switch, etc.) and reinstall on new cover.

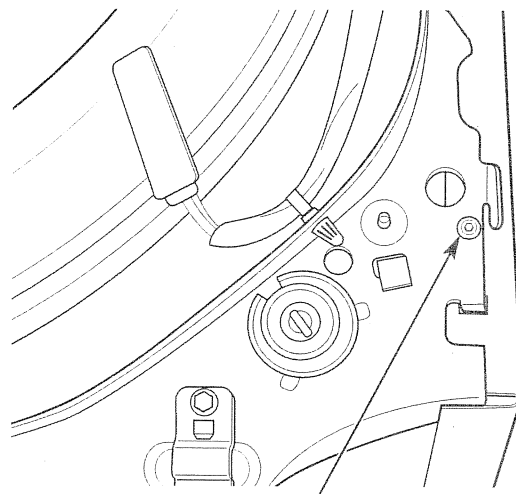
Remove front apron bracket from washer. Remove dampening straps from the original bracket. Assemble new locking clips and original dampening straps to the new apron bracket.

If the apron has deflected, straighten the flange so it is level with the top of the washer.

Attach new front bracket assembly to the apron and sub-washer.

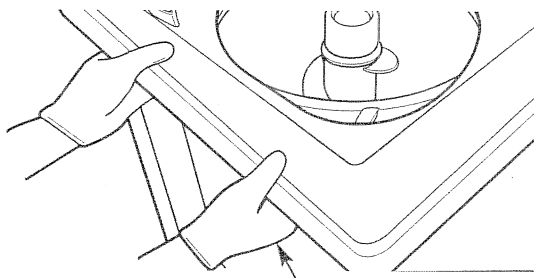
Use holes in top of front bracket as a guide to drill a 1/8" hole in both the left- and right-side apron flange.

Secure front bracket to the apron flange using provided screws.



Hole and Screw Location (Left and Right Side)

Install new cover assembly. Locate front apron bracket hooks (two in front, two in rear) into the corresponding cover slots. Using an underhand grip, place palms on front edge of cover and wrap fingers around the front bracket; squeeze to engage hooks.



Locate hooks in cover slot; squeeze against apron bracket to engage.



GE Appliances  
General Electric Company  
Louisville, Kentucky 40225

GE CONFIDENTIAL AND PROPRIETARY INFORMATION—NOT FOR PUBLIC DISCLOSURE

62412 08-09 JR

WH49X10064 COIN COVER KIT

WCCB1030H1WC  
 WCCB1030H3WC  
 WCCB1030H4WC  
 WCCB1030H5WC  
 WCCB1030J0WC  
 WCCD2050H1WC  
 WCCD2050H3WC  
 WCCD2050H4WC  
 WCCD2050H5WC  
 WCCD2050J0WC  
 WCRD2050H1WC  
 WCRD2050H3WC  
 WCRD2050H4WC  
 WCRD2050H5WC  
 WCRD2050J0WC  
 WMCD2050H1WC  
 WMCD2050H3WC  
 WMCD2050H4WC  
 WMCD2050H5WC  
 WMCD2050J0WC

WH49X10066 BISQUE COVER KIT

WBSR3140G1CC  
 WBSR3140G2CC  
 WBSR3140G3CC  
 WCRE6270G1CC  
 WCRE6270H1CC  
 WCRE6270K0CC  
 WCSR2090G4CC  
 WCSR2090G5CC  
 WCSR2090G6CC  
 WCSR4170G1CC  
 WCSR4170G2CC  
 WCSR4170G3CC  
 WDSR2080G3CC  
 WDSR2080G5CC

WH49X10065 WHITE COVER KIT

57731H3WW  
 57731H5WW  
 57731H6WW  
 57751H1WW  
 57751H2WW  
 EWA5600G1WW  
 EWA5600G2WW  
 EWA5600K0WW  
 EWA5600K1WW  
 GBSR3140H1WW  
 GBSR3140H2WW  
 GBSR3140H3WW  
 GCSR2090H3WW  
 GCSR2090H5WW  
 GCSR2090H6WW  
 GFSR3110H1WW  
 GFSR3110H2WW  
 GFSR3110H3WW  
 GHDR527H1WW  
 GHDR527H2WW  
 GHDSR209H3WW  
 GHDSR209H5WW  
 GHDSR209H6WW  
 GHDSR316H1WW  
 GHDSR316H2WW  
 GHDSR316H3WW  
 GJRR4170H1WW  
 GJRR4170H2WW  
 GJRR4170H3WW  
 GJSR2080H3WW  
 GJSR2080H5WW  
 GJSR2080H6WW  
 GJSR4160H1WW  
 GJSR4160H2WW  
 GJSR4160H3WW  
 GKSR3140H1WW  
 GKSR3140H2WW  
 GKSR3140H3WW  
 GNSR3150H1WW  
 GNSR3150H2WW  
 GNSR3150H3WW  
 GSSR4170H1WW  
 GSSR4170H2WW  
 GSSR4170H3WW  
 GVSr1060H3WW  
 GVSr1060H5WW  
 GVSr1060H6WW  
 GWRE6270H1WW  
 GWSE5240H1WW  
 GWSE5240H2WW  
 HLSR1090J5WW  
 HLSR1090J6WW  
 MNSR1090H3WW  
 MNSR1090H5WW  
 MNSR1090H6WW

S2100G3WW  
 S2100G5WW  
 S2100G6WW  
 S3700G1WW  
 S3700G2WW  
 S3700G3WW  
 VBSR3100G1WW  
 VBSR3100G2WW  
 VBSR3100G3WW  
 VLSR1090G3WW  
 VLSR1090G5WW  
 VLSR1090G6WW  
 VVSR1030H3WO  
 VVSR1030H5WO  
 VVSR1030H6WO  
 VWWR4160G1WW  
 VWWR4160G2WW  
 VWWR4160G3WW  
 WBB2090G3WW  
 WBB2090G5WW  
 WBB2090G6WW  
 WBB4500G1WW  
 WBB4500G2WW  
 WBB4500K0WW  
 WBSR3000G1WS  
 WBSR3000G2WS  
 WBSR3000G3WS  
 WBSR3140G1WW  
 WBSR3140G2WW  
 WBSR3140G3WW  
 WCRE6270G1WW  
 WCRE6270H1WW  
 WCRE6270K0WW  
 WCRE6270K1WW  
 WCSR2090G3WW  
 WCSR2090G4WW  
 WCSR2090G5WW  
 WCSR2090G6WW  
 WCSR4170G1WW  
 WCSR4170G2WW  
 WCSR4170G3WW  
 WDRR2500K0WW  
 WDRR2500K1WW  
 WDSR2080G3WW  
 WDSR2080G5WW  
 WDSR2120J3WW  
 WDSR2120J5WW  
 WDSR2120J6WW  
 WHDRR418G1WW  
 WHDRR418G2WW  
 WHDRR418G3WW  
 WHDSR109J5WW  
 WHDSR109J6WW  
 WHDSR209G3WW  
 WHDSR209G3WW

WHDSR316G1WW  
 WHDSR316G2WW  
 WHDSR316G3WW  
 WHRE5550H1WW  
 WHRE5550K0WW  
 WHRE5550K1WW  
 WISR106DGCWW  
 WISR309DGCWW  
 WISR409DGCWW  
 WJRE5500G1WW  
 WJRE5500G2WW  
 WJRE5500K0WW  
 WJRE5550H1WW  
 WJRE5550K0WW  
 WJRE5550K1WW  
 WJRR4170G1WW  
 WJRR4170G2WW  
 WJRR4170G3WW  
 WJSR4160G1WW  
 WJSR4160G2WW  
 WJSR4160G3WW  
 WLRE4500G1WW  
 WLRR5000G1WW  
 WLSR2000G3WW  
 WLSR2000G5WW  
 WLSR2200J3WW  
 WLSR2200J5WW  
 WLSR2200J6WW  
 WLSR3000G1WW  
 WLSR3000G2WW  
 WLSR3000G3WW  
 WNC2050H1WC  
 WNRD2050G1WC  
 WPRE6100G1WT  
 WPRE6100G2WT  
 WPRE6150H1WT  
 WPRE6150K0WT  
 WPRE6150K1WT  
 WPRE8100G1WT  
 WPRE8150H1WT  
 WPRE8150K0WT  
 WPRE8150K1WT  
 WPRE8320H1WT  
 WPRE8320H2WT  
 WPRE8350H1WT  
 WVSr1060G3WW  
 WVSr1060G5WW  
 WVSr1060G6WW  
 WWSE5240G1WW  
 WWSE5240G2WW