

# **HAIER**

## **WASHING MACHINE**

### **Service Manual**

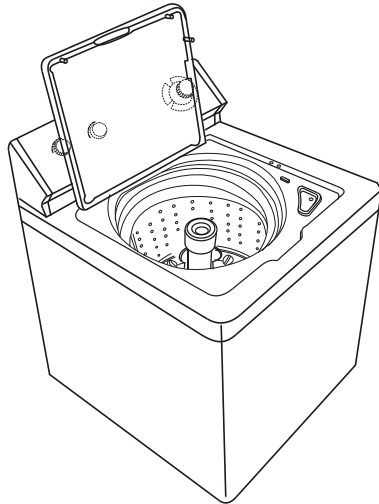
#### **PART # WD-8888-83**

HAIER AMERICA TRADING, LLC  
[www.haieramerica.com](http://www.haieramerica.com)

XQJ100-96

Full automatic agitating washer

# Service Manual



HLT20E(United States)  
LAH1212(Mexico)  
LAH1214(Mexico)

## ● Features

- Magical lint Filter
- Single-directional agitator
- Spray spin      soak+wash
- Front arranged door, convenient for users
- Four adjustable feet
- Cold & hot water inlet selection
- Mechanical control
- Drain up

# Haier Group

1. Contents..... 1

2. Product code illumination and series introduction ..... 1

3. Features ..... 2

4. Specifications ..... 3

5. Safety precautions.....5

6. Warning and cautions ..... 6

7. Net dimension ..... 7

8. Installation and accessory parts..... 7

9. Parts and functions ..... 9

10. Maintenance service and trouble shooting..... 10

11. Wiring diagram ..... 14

12. Exploded view..... 15

13. List of parts ..... 17

- **Magical lint filter**

this model abides the used design method of filter lint and adopts unique magical lint filter technology, cleaning away your lint stealthily .

- **Zincking steel cabinet**

the linear pure-white outlook is simple and clean.

- **Spray spin**

- **Five-step Cold & warm water inlet selection**

- **Soak function**

- **Drain up function**

- **Cabinet with the door open in the front:**

It adopts the American local design , and the door which can be opened in the front is easy to repair.

- **Super capacity for more clothes**

- **Mechanical control, operate easily.**

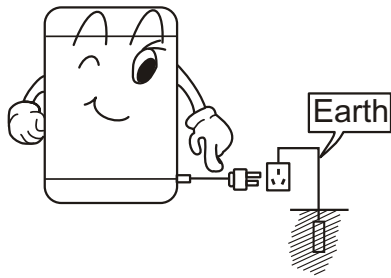
- **Special structure agitator, produce welter current, wash equably and twist-free.**

# SPECIFICATIONS

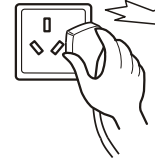
Model		HLT20E (United States)	LAH1212 (Mexico)	LAH1214 (Mexico)
Features for use				
Wash capacity	kg	10.0	10.0	10.0
Spin capacity	kg	10.0	10.0	10.0
Level/Volume	L	95/72/51	95/72/51	95/72/51
Residual dampness	%	<100	<100	<100
Control model				
controller		√	√	√
Normal computerized		□	□	□
Fuzzy computerized		□	□	□
Frequency conversion		□	□	□
Service features				
Programs		4	-	-
Short cycle		□	□	□
Inlet heating select		√	√	√
Heating selection		□	□	□
Spinning cycle (selector)		500/700	500/700	500/700
Spinning cycle (variable)		-	-	-
Start/Pause		□	□	□
Automatic balancing		□	□	□
Aesthetics				
Cabinet material (P=Plastic/Z=Zincking/C=Cold )		Z	Z	Z
Rolled stainless steel				
Inner drum (stairl. steel=s / plastic=p)		s	s	s
Drain type		drain up	drain up	drain up
Door (glass=g / plastic=p)		□	□	□
Adjustable feet		√	√	√
Technical data				
Voltage/frequency	V/Hz	120V/60Hz	120V/60Hz	120V/60Hz
Wash power	W	800	800	800
Spin power	W	780	780	780
Special function				
Air-Bubble		□	□	□
Feet wheel		□	□	□
Water fall current		□	□	□
Dimensions (measurements)				
Height / built under	mm	1115	1115	1115
Width	mm	686	686	686
Depth / with open door	mm	686	686	686
Net weight	kg	73	73	73

NOTES: "√" FOR AVAILABLE, "□" FOR NOT AVAILABLE □ FOR NOT BE APPLICABLE

Be sure to earth the earthing wire reliably.



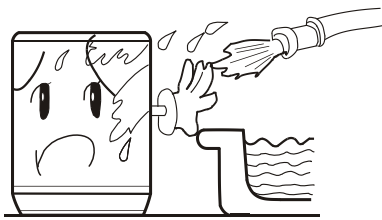
When the machine is normally using, please put the power plug at the location easily to be inserted and extracted by hand. Be sure to pull the plug off when there's power failure, or the machine is being moved, cleaned or when it is idle.



If the power cord is bad, to avoid risk it is required to replace it by the technicians of our special shop or the after-sale service department. Keep the pin of the power plug clean.



Do not put the machine at damp place like the bathroom. Never wash it with water.



Do not install or store the washer where it will be exposed to the weather.



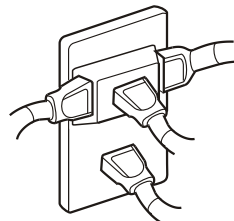
Do not let the machine share one receptacle with other electric appliances. If the power plug is damaged, or the plugging into the receptacle is loose, do not use the plug any more.



Do not wash water-proof laundries such as the raincoat, bicycle shelter etc. To avoid abnormal vibration during spinning.



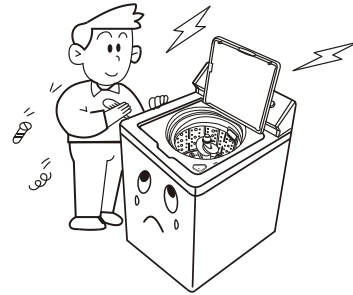
Do not share one receptacle with other electric appliances. Do not use it in case that the power plug is damaged or the inserting into the receptacle is loose.



Do not stretch hands into the working machine. It is dangerous even if the rotation is slow. Take special care of the children.



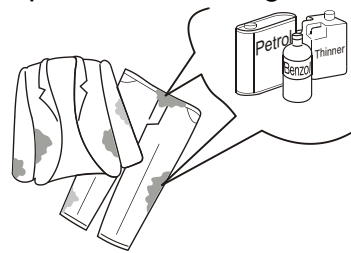
Do not decompose, repair or alter the machine by yourself.



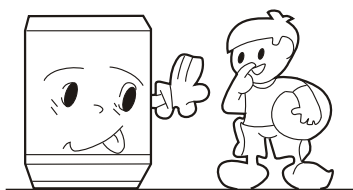
Do not put any hot or heavy items (such as the kettle with hot water) on the washing machine.



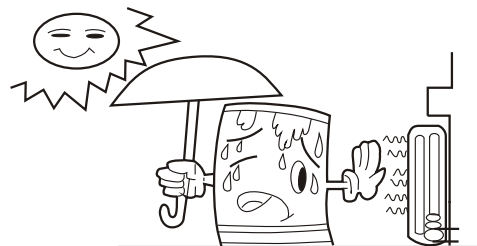
Do not wash articles that have been previously cleaned in, washed in, soaked in, or spotted with gasoline, dry-cleaning solvents, other flammable, or explosive substances as they give off vapors that could ignite or explode. Do not add gasoline, dry-cleaning solvents, or other flammable, or explosive substances to the wash water. These substances give off vapors that could ignite or explode.



The handicapped or children without care shall not use the machine.

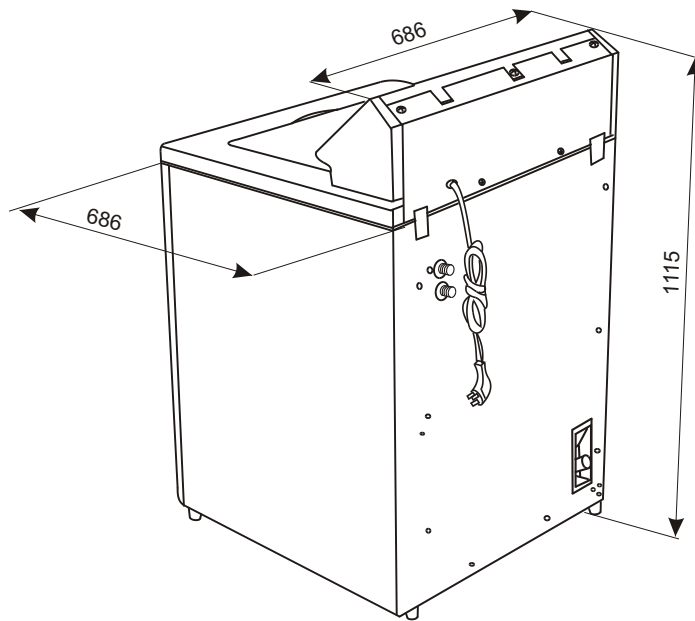


Keep the machine away from direct sunlight and heat source like the heater.



Under certain conditions, hydrogen gas may be produced in a hot water system that has not been used for 2 weeks or more. **HYDROGEN GAS IS EXPLOSIVE.** If the hot water has not been used for such a period, before using the washing machine, turn on all hot faucets and let the water flow from each for several minutes. This will release any accumulated hydrogen gas. As the gas is flammable, do not smoke or use an open flame during this time.





Unit (mm)

Figure 1

## INSTALLATION AND ACCESSORY PARTS

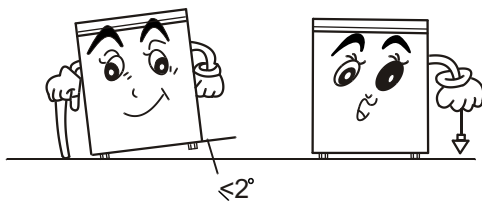
Please install and adjust the machine according to the requirement of the manual. It is very important to your security and correct operating the machine.

### Adjust the Installation position

The largest allowed slope of the shank base of the machine is  $2^\circ$ . The slanting or rough ground will result in unstable running or stoppage of the machine. Please adjust it with following methods:

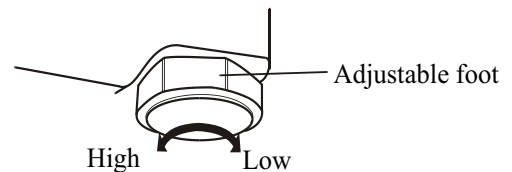
- Confirm it's horizontal

Hang the plumb to confirm it's horizontal.



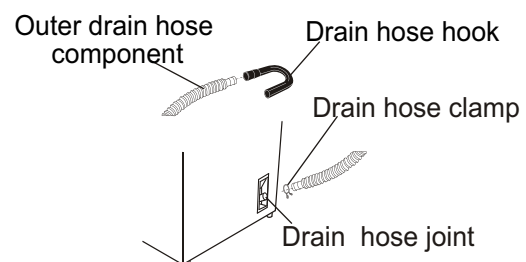
- Adjust the adjustable feet

- 1) To twist the adjustable foot, please first lift up the side of the foot slightly, and twist the foot.
- 2) Fasten the nut after adjustment.



### Install the drain hose

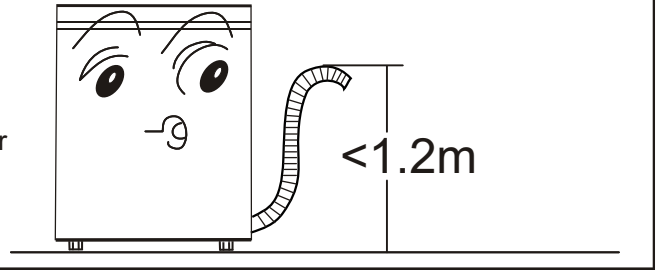
- First install the drain hose hook on the parts of outer drain hose component.
- Put the drain hose clamp on the outer drain hose, insert the outer drain hose into the joint for it, and then clutch tightly with drain hose clamp.





## Usage the drain hose

- Hang the outer drain hose on the proper place before washing( do not use it toppled down on the ground).
- Attend that the outlet of drain hose shall be higher than the water level in washtub to avoid siphon phenomenon.



## Connect the water inlet hoses

1. Insert a new flat washer into each end of the inlet hoses. Firmly seat the washers in the coupling. ( As figure 2)

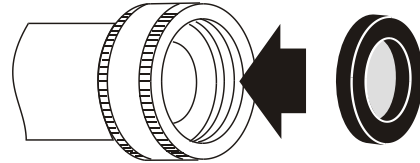


Figure 2

2. Respectively attach the water inlet hoses to the hot water faucet and the cold water faucet. Using pliers, tighten the coupling. ( As figure 3)

**NOTE:** Do not over tighten. Damage to the valves can result.

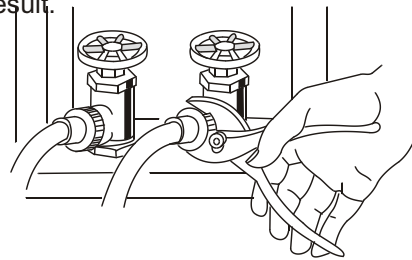


Figure 3

3. Run water through both faucets and inlet hoses, into a bucket or laundry tub, to get rid of particles in the water lines that might clog the inlet valves screens.

4. Attach the hose connected with hot water faucet to the HOT water inlet valve(sign with "H"). Attach the hose connected with cold water faucet to the COLD water valve(sign with **C** ). ( As figure 4)

**NOTE:** Do not over-tighten. Damage to the valves can result.

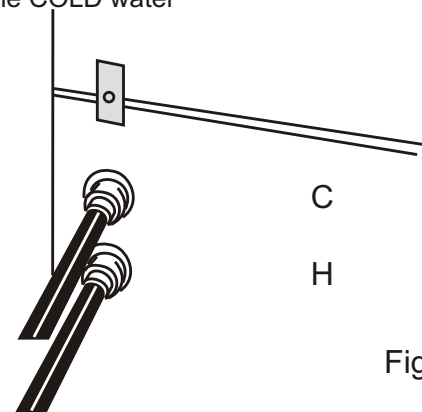
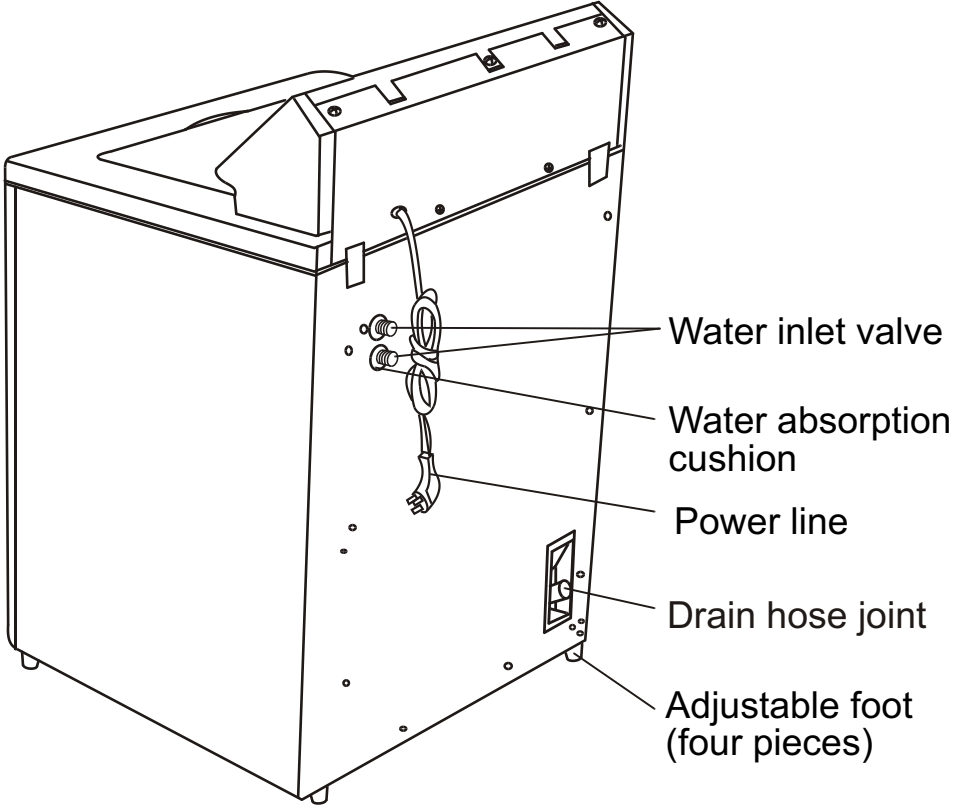
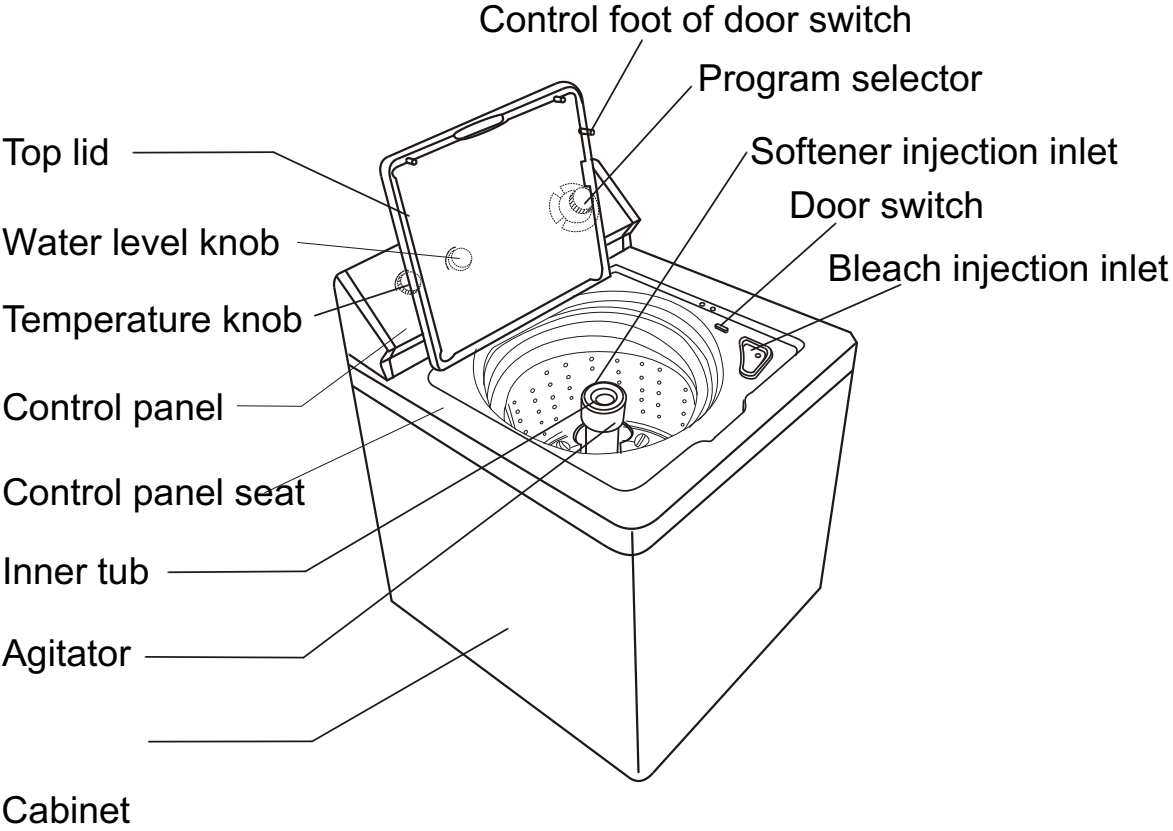


Figure 4

5. Check for leaks

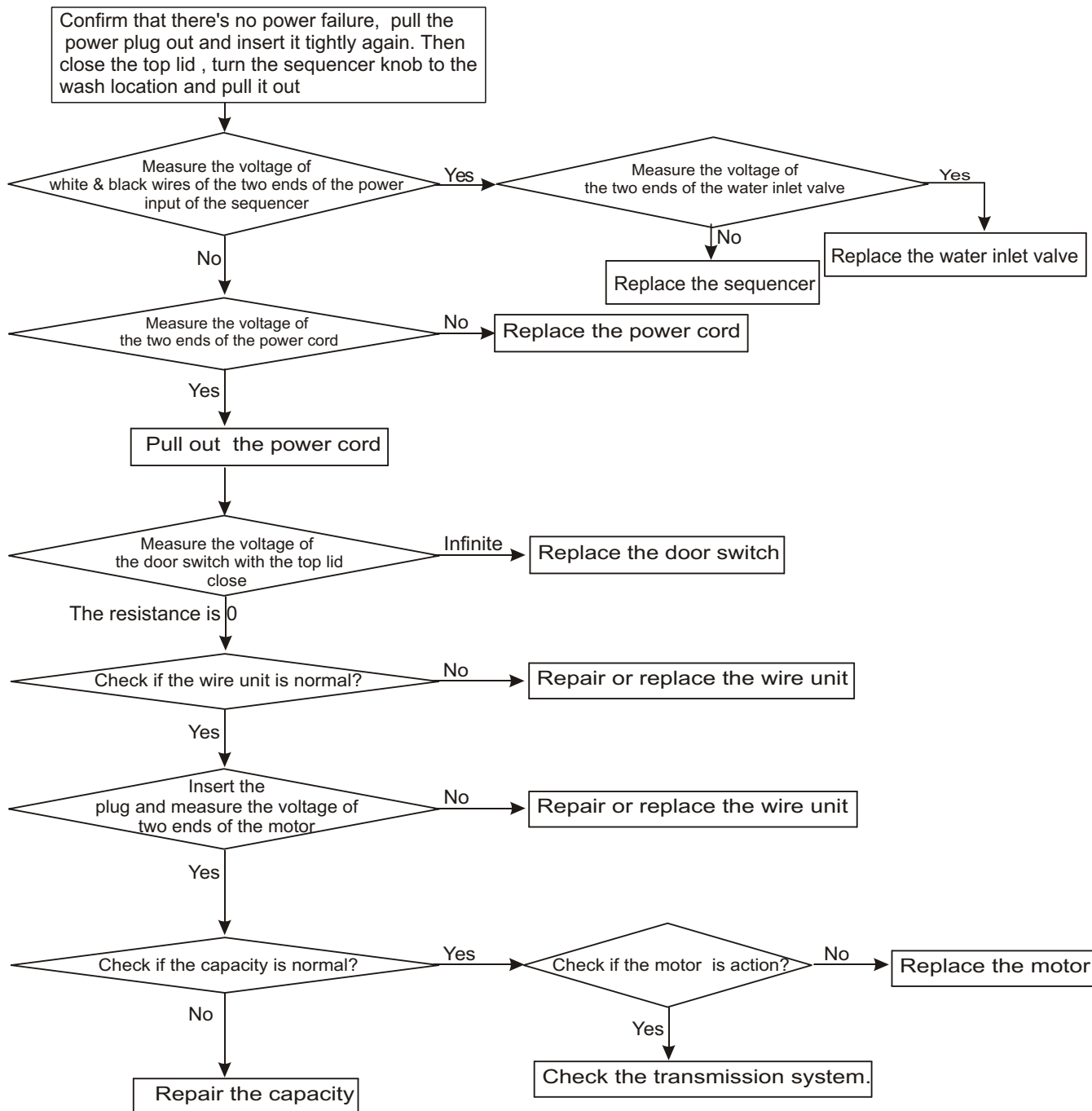
- (1). Swing the water inlet hose gently to confirm if it is suitable.
- (2). Turn on the water faucets and check for leaks. A small amount of water might enter the washers. You will drain this later.



## Trouble-shooting charts

If you replace the computer sequencer without checking the other components carefully, the computer sequencer may be damaged again. Therefore, please first check if the other components working normally before replacing the sequencer in maintenance.

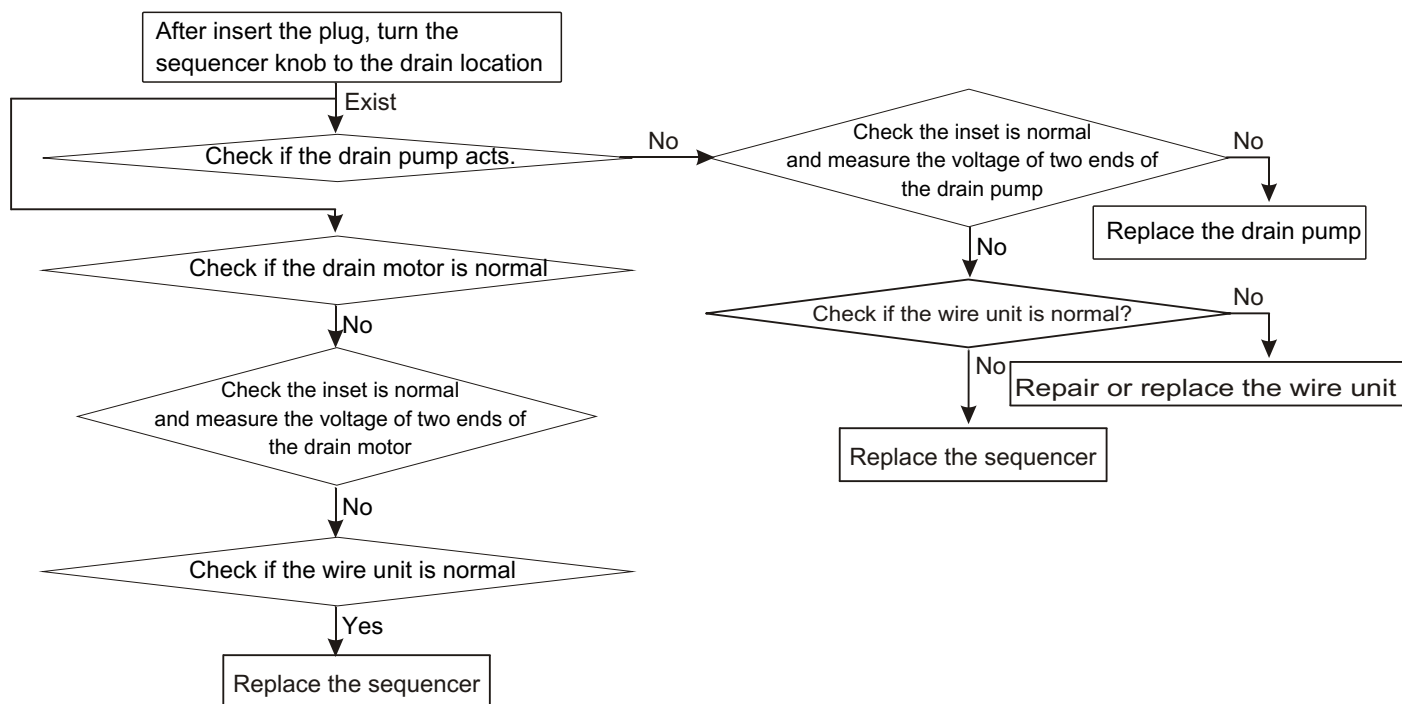
### No washing and No water filling



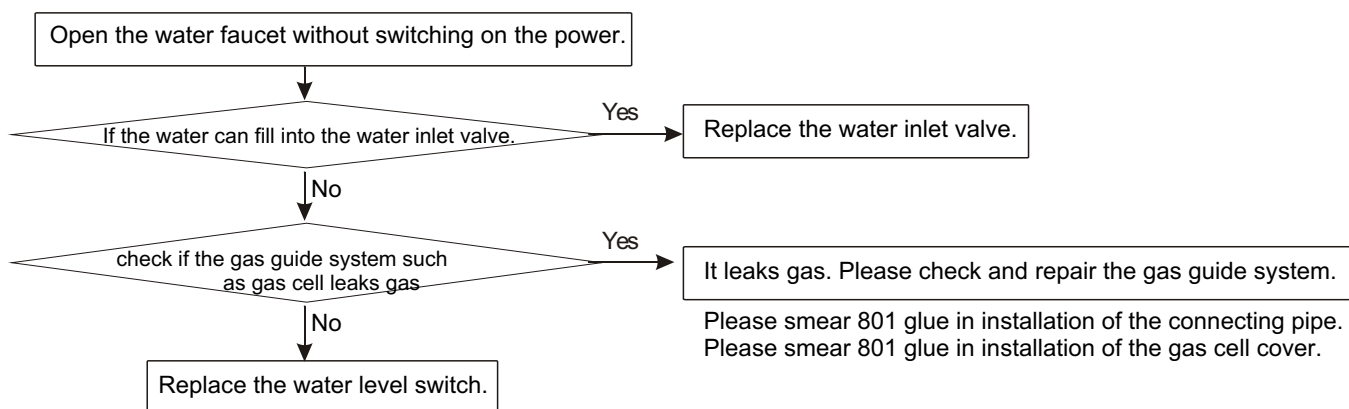
Rotate to one direction in washing

Change the gear case

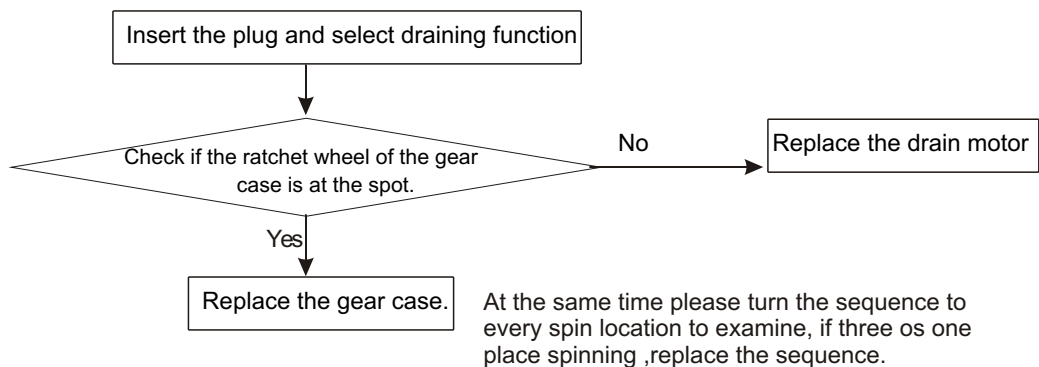
No draining



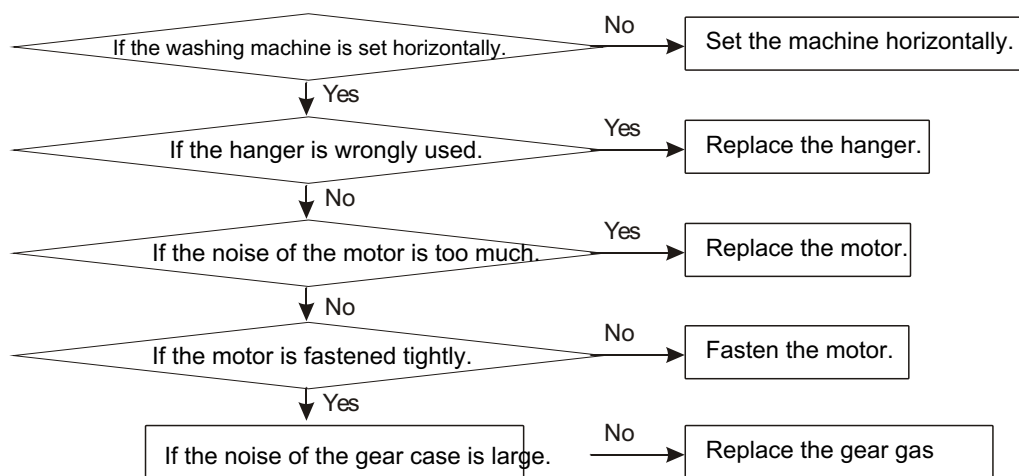
Keep filling water



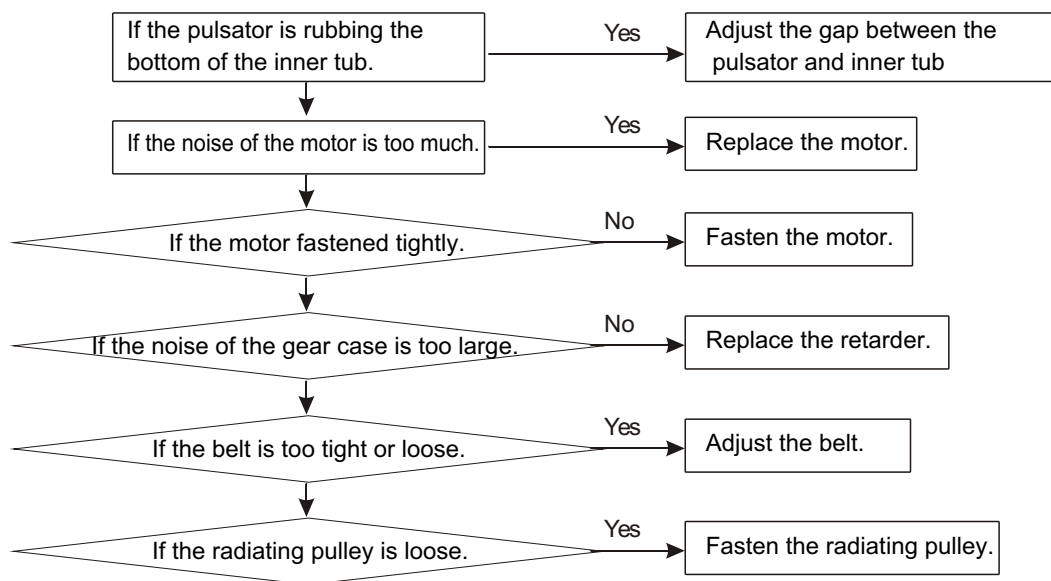
## No spinning



## Too much noise in spinning



## Too much noise in washing



## MAINTENANCE SERVICE AND TROUBLE SHOOTING

Phenomenan	The reason	How to settle
In washing, rinsing, spinning, the machine stops running.	<ul style="list-style-type: none"> <li>● The top lid is not closed.</li> </ul>	<ul style="list-style-type: none"> <li>● Close the top lid.</li> </ul>
No water filling or filling slowly	<ul style="list-style-type: none"> <li>● Is the drain hose put down?</li> <li>● Is the drain hose blocked by foreign material?</li> <li>● Is the water pressure lower?</li> </ul>	<ul style="list-style-type: none"> <li>● Put down the drain hose. Open and close the top lid once.</li> <li>● Clean the foreign material. Open and close the top lid once.</li> <li>● Wait for the normal water pressure before use.</li> </ul>
The machine does not act.	<ul style="list-style-type: none"> <li>● Is there power failure?</li> <li>● Is the power plug loose?</li> </ul>	<ul style="list-style-type: none"> <li>● Use it when the power is on.</li> <li>● Insert the power plug tightly.</li> </ul>
There's abnormal sound inside the machine.	<ul style="list-style-type: none"> <li>● Is the machine slanting?</li> <li>● Are the laundries slanting in spinning?</li> </ul>	<ul style="list-style-type: none"> <li>● Level the machine properly.</li> <li>● Re-order the laundries.</li> </ul>
The water faucet leaks.	<ul style="list-style-type: none"> <li>● Is the jointer screw of the water inlet hose is loose or twisted awry?</li> </ul>	<ul style="list-style-type: none"> <li>● Fasten the jointer screw properly.</li> </ul>
During draining, the washer continues draining when push in programme selector knob.	<ul style="list-style-type: none"> <li>● It is special phenomena for washer with pump.</li> </ul>	<ul style="list-style-type: none"> <li>● If do not need continue draining, you can raise the entrance of drain hose and let water flow back inner tub. .</li> </ul>

### Common phenomena

Phenomena	Explanation
<ul style="list-style-type: none"> <li>● Rotate the "Process selector" knob to select "Spin", but it doesn't work.</li> </ul>	<ul style="list-style-type: none"> <li>● The program is setting the drain time. Some time is needed before it starts spinning.</li> </ul>
<ul style="list-style-type: none"> <li>● There may be some water flowing out of the drain hose in the first use of the machine.</li> </ul>	<ul style="list-style-type: none"> <li>● It is the water remained in the factory inspection of performance.</li> </ul>

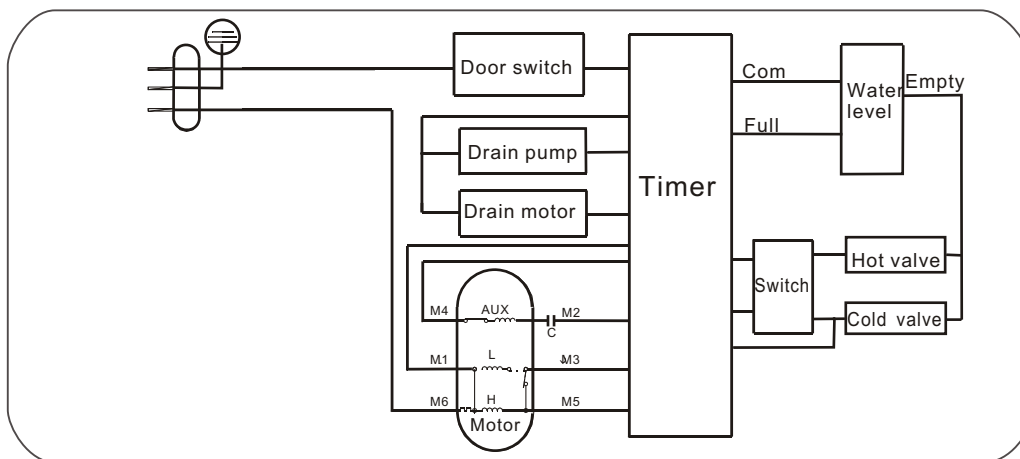


Figure 5-2

- There is overload protector installed in the motor. In case that the motor is overload or meets breakdown in working, the protector will act and stop the motor. When the breakdown is removed, the motor will resume normal working.
- The capacitor should not be assembled if the motor voltage is 220-240V.
- Actual Circuit Diagram(Please reference the next page)

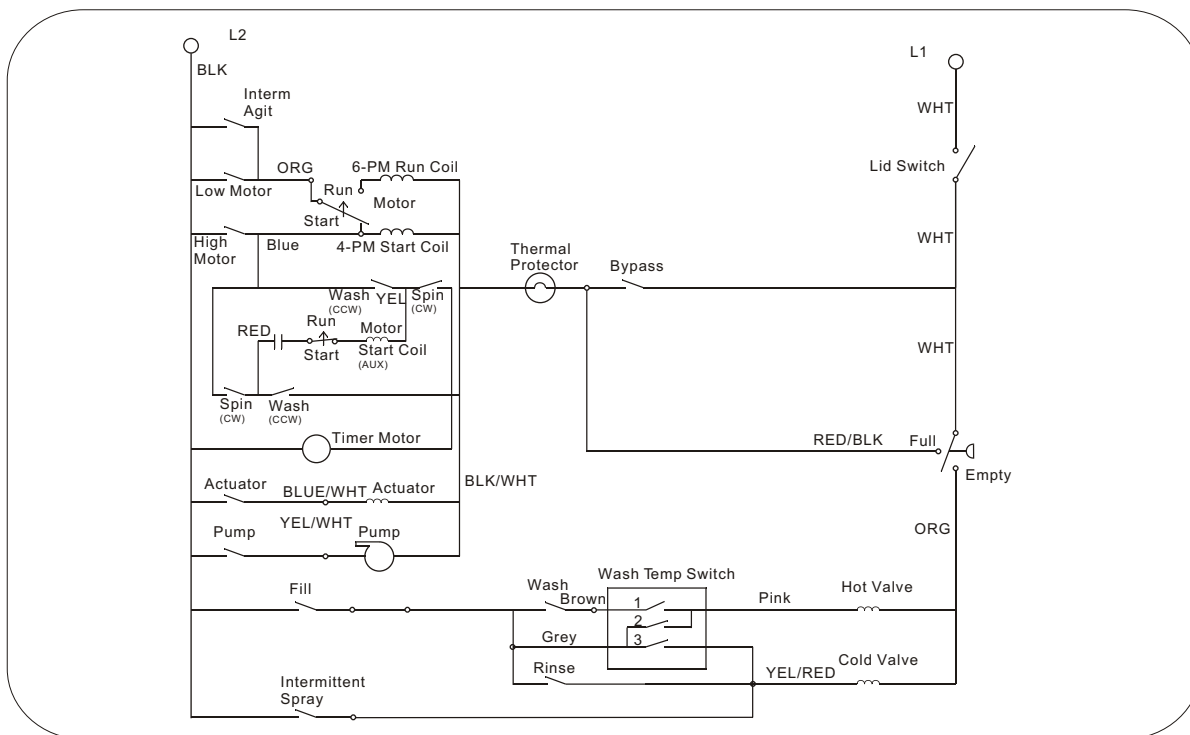


Figure 6