

Website: <http://www.LGService.com>
E-mail: <http://www.LGService.com/techsup.html>

WASHING MACHINE SERVICE MANUAL

▲ CAUTION

READ THIS MANUAL CAREFULLY TO DIAGNOSE
PROBLEMS CORRECTLY BEFORE SERVICING THE UNIT.

MODEL: WM1812CW/WM1814CW



JUN. 2004 PRINTED IN KOREA

P/No.:3828ER3027F

CONTENTS

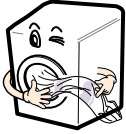
1. SPECIFICATIONS	3
2. FEATURES & TECHNICAL EXPLANATION	4
3. PARTS IDENTIFICATION	7
4. INSTALLATION & TEST	8
5. OPERATION	11
6. WIRING DIAGRAM/PROGRAM CHART	12
7. TROUBLESHOOTING.....	13
7-1. BEFORE PERFORMING SERVICE	13
7-2. QC TEST MODE.....	13
7-3. HOW TO CHECK THE WATER LEVEL FREQUENCY	13
7-4. ERROR DISPLAY	14
8. ERROR DIAGNOSIS AND CHECK LIST	16
8-1. DIAGNOSIS AND SOLUTION FOR ABNORMAL OPERATION	16
8-2. FAULT DIAGNOSIS AND TROUBLESHOOTING	19
9. DISASSEMBLY INSTRUCTIONS	26
10. EXPLODED VIEW	34
10-1. CABINET & CONTROL PANEL ASSEMBLY.....	34
10-2. DRUM & TUB ASSEMBLY.....	35
10-3. DISPENSER ASSEMBLY	36

1. SPECIFICATIONS

ITEM	WM1812CW/WM1814CW	
COLOR	BLUE WHITE	
POWER SUPPLY	AC 120 V, 60 Hz	
PRODUCT WEIGHT	173 lbs. (78.5 kg)	
ELECTRIC POWER CONSUMPTION	WASHING	280 W
	DRAIN MOTOR	80 W
	WASH HEATER	–
REVOLUTION SPEED	WASH	46 rpm
	SPIN	0-900 rpm
CYCLES	5	
WASH/RINSE TEMPERATURES	5	
SPIN SPEEDS	5	
OPTIONS	Prewash, Quick Cycle, Extra Rinse, Rinse+Spin, Delay Wash	
CUSTOM PROGRAM	–	
WATER CIRCULATION	–	
OPERATIONAL WATER PRESSURE	4.5–116 psi (800 kPa)	
CONTROL TYPE	Electronic	
WASH CAPACITY	2.96 cu. ft (3.42 cu. ft. IEC)	
DIMENSIONS	27" (W) X 30 ¹ / ₃₂ " (D) X 38 ¹¹ / ₁₆ " (H), 50 ¹³ / ₁₆ " (D, door open)	
DELAY WASH	up to 9 hours	
DOOR SWITCH TYPE	PTC + Solenoid	
WATER LEVEL	9 steps (by sensor)	
LAUNDRY LOAD SENSING	Incorporated	
ERROR DIAGNOSIS	Incorporated	
AUTO POWER OFF	Incorporated	
CHILD LOCK	Incorporated	

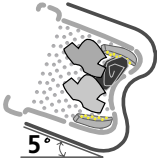
2. FEATURES & TECHNICAL EXPLANATION

2-1. FEATURES



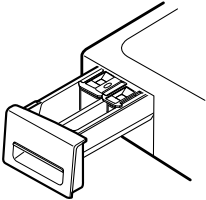
- **Direct Drive System**

The advanced Brushless DC motor directly drives the drum without belt and pulley.



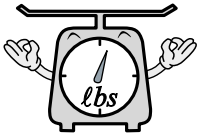
- **Tilted Drum and Large Door Opening**

Tilted drum and large opening make it possible to load and unload clothing more easily.



- **Time-Released Dispenser**

Detergent, fabric softener and bleach are dispensed separately at the right time during wash cycle.



- **Automatic Wash Load Detection**

Automatically detects the load and optimizes the washing time.

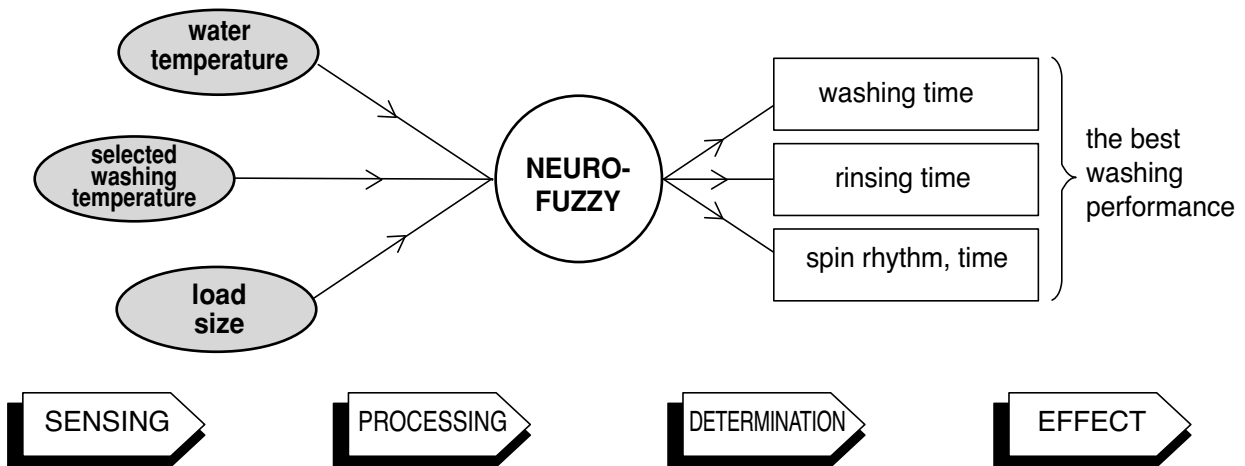


- **Child Lock**

The Child lock prevents children from pressing any button to change the settings during operation.

2-2. NEURO FUZZY WASHING TIME OPTIMIZATION

To get the best washing performance, optimal time is determined by the water temperature, the selected washing temperature, and the size of the load.



2-3. WATER LEVEL CONTROL

- This model incorporates a pressure sensor which can sense the water level in the tub.
- The water supply is stopped when the water level reaches the preset level, the washing program then proceeds.
- Spinning does not proceed until the water in the tub drains to a certain level.

2-4. DOOR CONTROL

- The door can be opened by pulling the door handle whenever washer is not in operation.
- When the cycle is completed, the DOOR LOCKED light will turn off.
- If a power failure has occurred while in operation, the door will unlock after 5 minutes.
- Clicking sounds can be heard when the door is locked/unlocked.


2-5. THE DOOR CAN NOT BE OPENED

- While program is operating
- When a power failed and power plug is taken out in operation
- While Door Lock lights turn on.
- While the motor is in the process of inertial rotating, through the operation is paused.

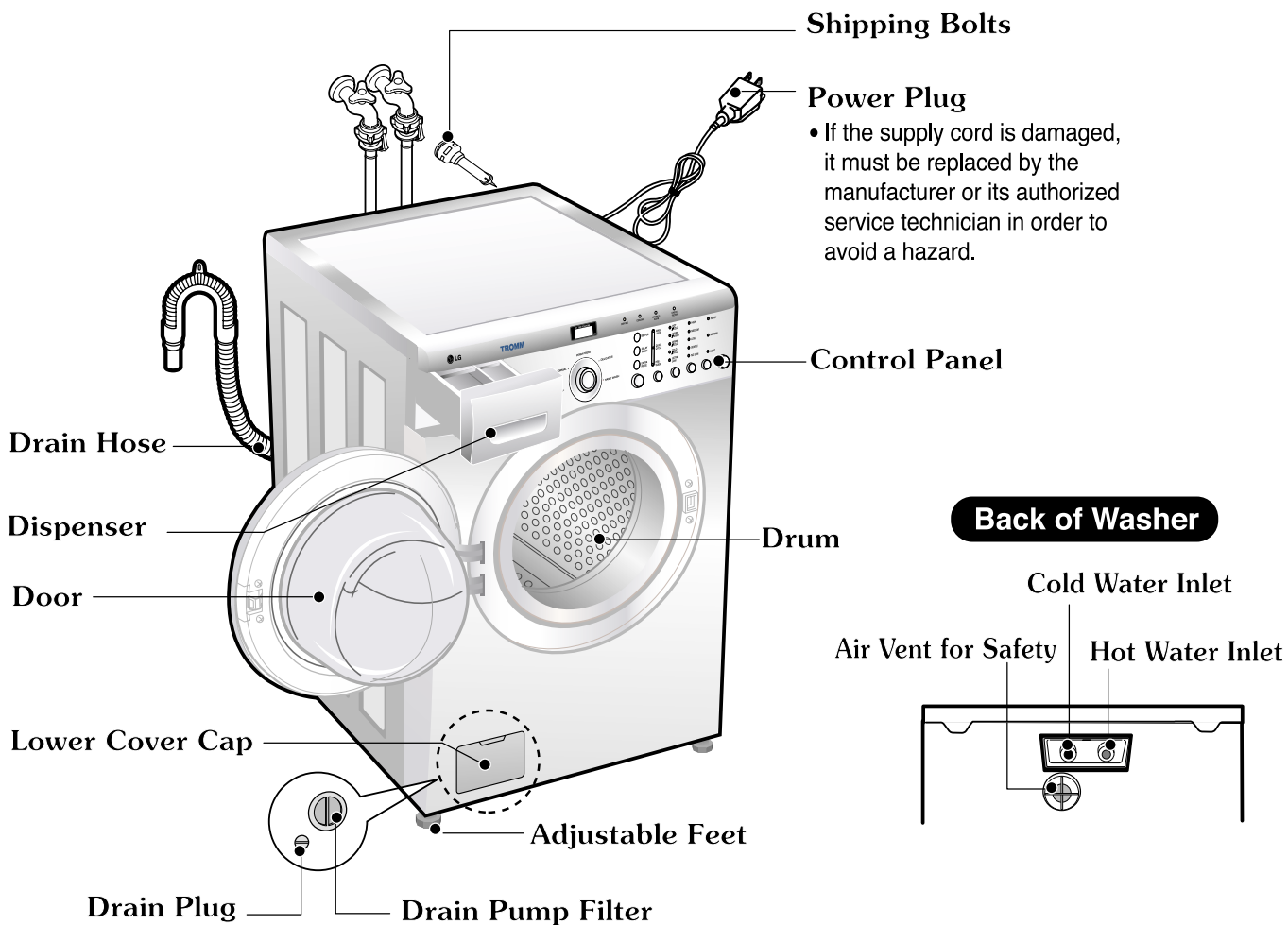
2-6. DOOR LOCKED LAMP LIGHTS

- When the frequency of water level is lower than 22.9 kHz
(It can be canceled when the frequency is more than 23.8 kHz)
- When the temperature inside the tub is higher than 45 °C and water level is not 25.5 kHz
(It can be canceled when the water level is 25.5 kHz or the temperature inside the tub is lower than 40 °C)

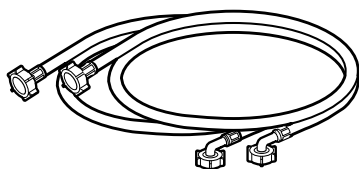
2-7. CHILD LOCK

- Use this option to prevent unwanted use of the washer. Press and hold OPTION button for 3 seconds to lock/unlock control.
- When Child lock is set, “**CL**” blinks and all buttons are disabled except the Power  button. You can lock the washer while it is operating.

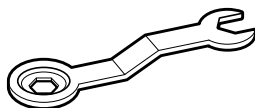
3. PARTS IDENTIFICATION



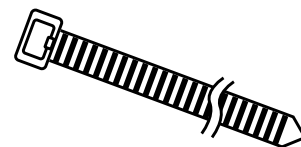
■ ACCESSORIES



Hot/Cold (1 each)
Hose



Wrench



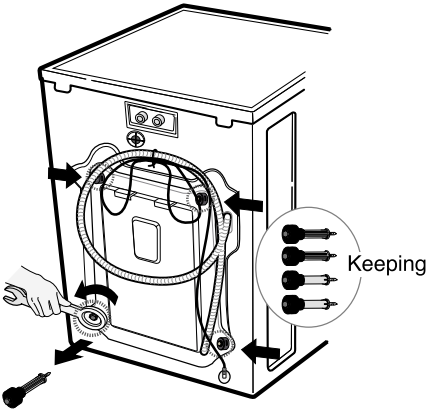
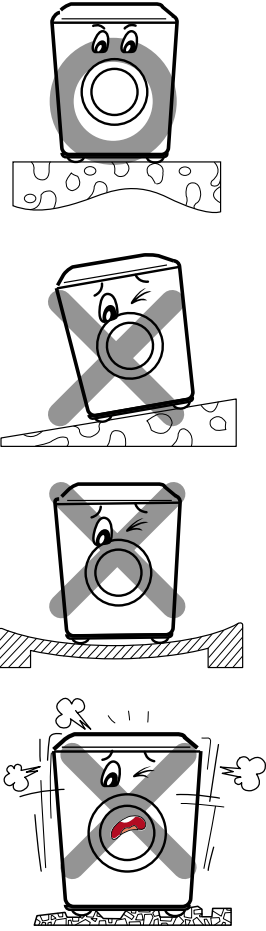
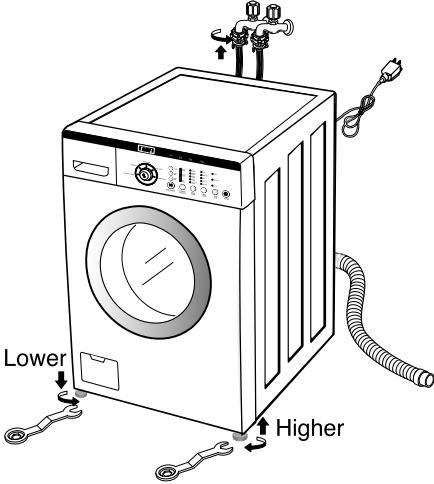
Tie strap
to secure drain hose to standpipe,
inlet hose, or laundry tub

4. INSTALLATION & TEST

- 1 Before servicing, ask the customer what the trouble is.
- 2 Check the setup (power supply is 120 V AC, remove the transit bolts....).
- 3 Check with the troubleshooting guide.
- 4 Plan your service method by referring to the disassembly instructions.
- 5 Service the unit.
- 6 After servicing, operate the appliance to see whether it functions correctly.

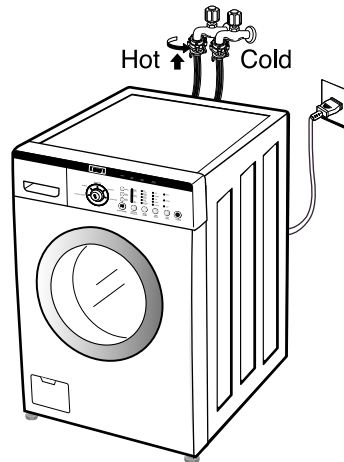
■ STANDARD INSTALLATION

The appliance should be installed as follows:

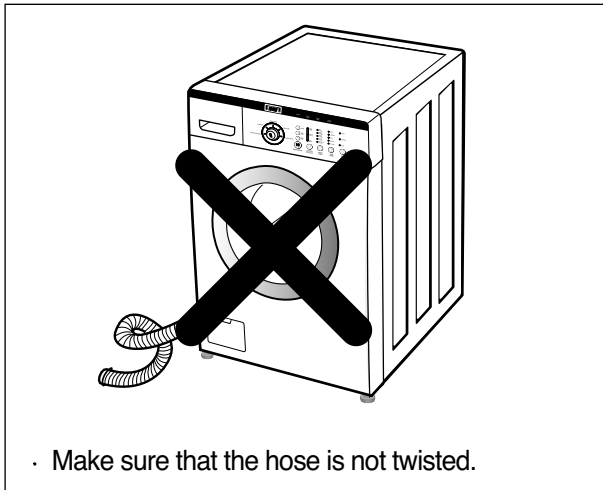
REMOVE THE SHIPPING BOLTS	INSTALL THE APPLIANCE ON A FLAT AND FIRM SURFACE	ADJUST THE LEVELING
<ul style="list-style-type: none"> • Remove the 4 shipping bolts with the supplied wrench. ※ Do first lower side to remove easily. • Keep the shipping bolts and spanner for future use. • Insert the 4 caps (provided) into the hole. 		<ul style="list-style-type: none"> • Turn the leveling feet to adjust the appliance.  <ul style="list-style-type: none"> • Turn clockwise to raise; counterclockwise to lower.

■ HOW TO CONNECT THE INLET HOSE

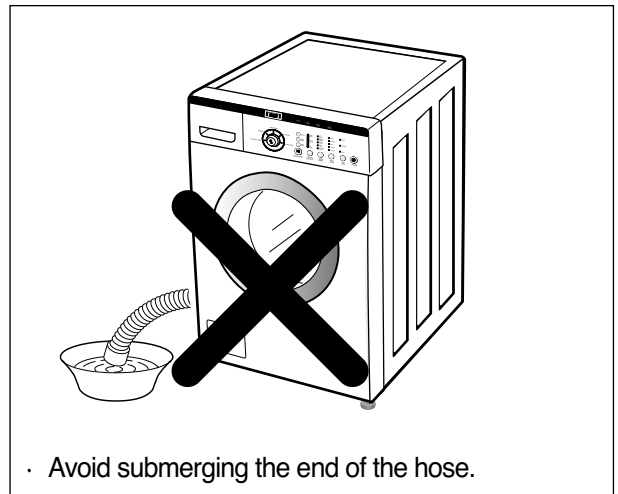
- Verify that the rubber washer is inside of the valve connector.
- Tighten the inlet hose securely to prevent leaks.



■ CONNECT THE DRAIN HOSE



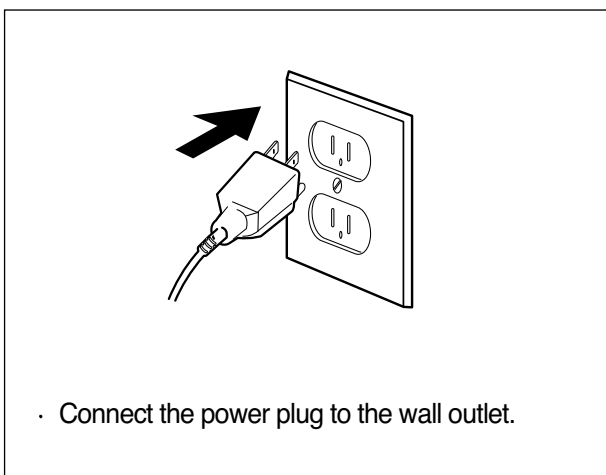
- Make sure that the hose is not twisted.



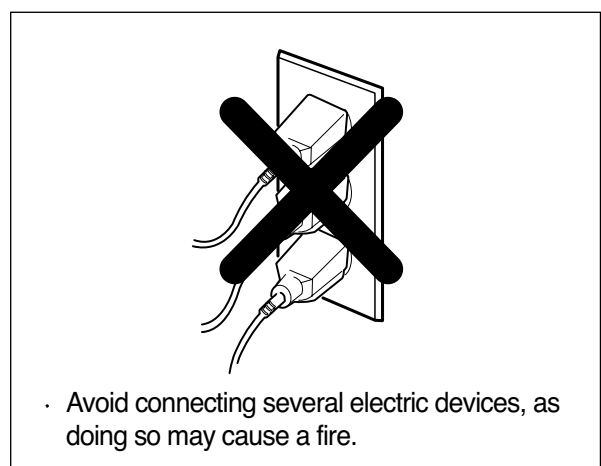
- Avoid submerging the end of the hose.

※ The end of the drain hose should be placed less than 96” from the floor.

■ CONNECT POWER PLUG



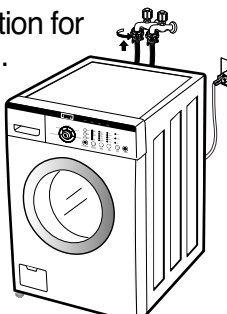
- Connect the power plug to the wall outlet.



- Avoid connecting several electric devices, as doing so may cause a fire.


7 TEST OPERATION

1 Preparation for washing.



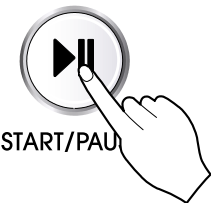
- Connect the power plug to the outlet.
- Connect the inlet hoses.

2 Press the POWER button.



POWER


3 Press the Start/Pause button.



START/PAU

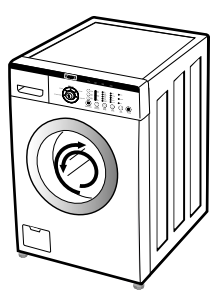
- Listen for a click to determine if the door has locked.

6 Check the water temperature.



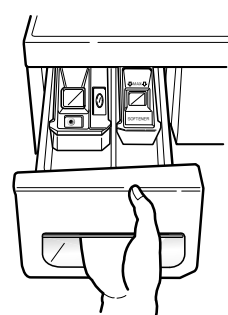
- Press the WASH/RINSE button and the present temperature will be displayed.

5 Check the automatic reverse rotation.



- Check if the drum rotates clockwise and counterclockwise.

4 Check the water supply.




- Check if water is supplied through the detergent dispenser.

7 Check the drain and spin functions.

- Power off and the power on.
- Press the SPIN SPEED button.
- Press the START/PAUSE button.
- Check the spin and drain functions.

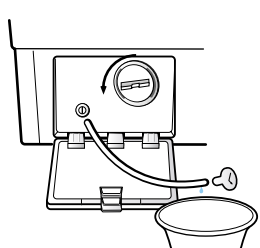
8 Press the START/PAUSE button.



START/PAU

- Listen for a click to determine if the door is unlocking.

9 Water removal



- If SVC is needed during check, remove the remaining water by pulling out the hose cap.

5. OPERATION

EST. TIME REMAINING

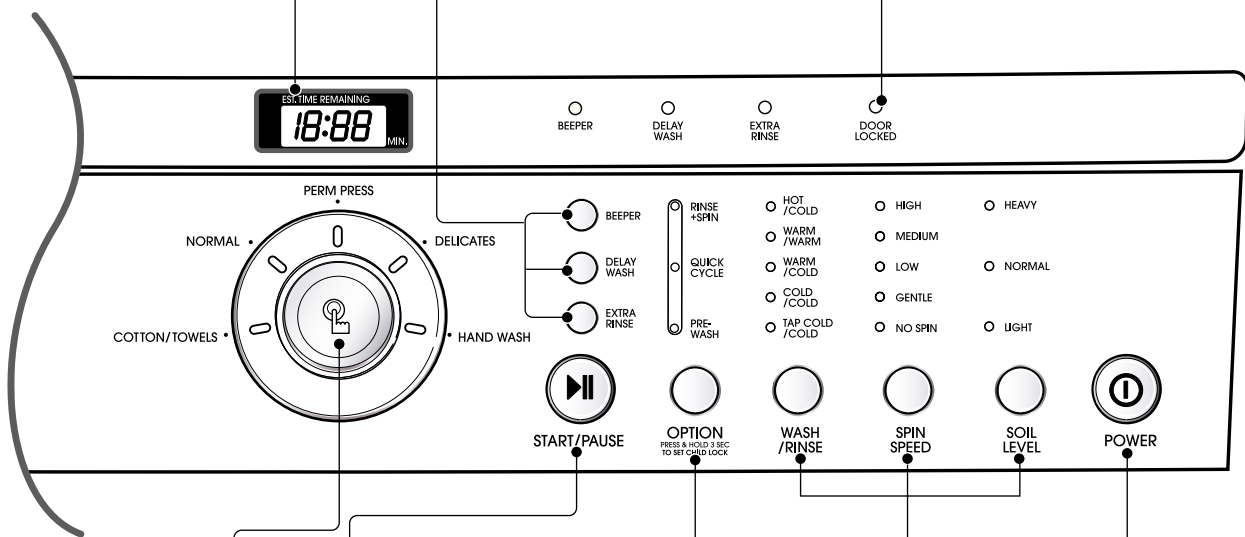
- This display shows:
 - a) the estimated time remaining in the cycle when operation.
 - b) an error code when an error has been detected.

BEEPER, DELAY WASH, EXTRA RINSE button

- Use the Beeper button to turn the Beeper **On/Off**.
- Delay Wash allows the start of any cycle to be delayed for 1~9 hours.
- Extra Rinse provides an additional rinse.

DOOR LOCKED lamp

- Light whenever the door of the washer is locked.
- The door can be unlocked by pressing the **Start/Pause** (⏸) button to stop the washer.



CYCLE SELECTOR

- Press the **Cycle selector** to select cycle designed for different types of fabric and soil levels.

OPTION button

- Prewash : Use this option for loads that need pretreatment. It adds 16 minutes prewash and drain.
- Quick Cycle : The Quick offers a quick cycle time.
- Rinse+Spin : Use this option to rinse and then spin.

POWER button

- Use this button to turn power **On/Off**.

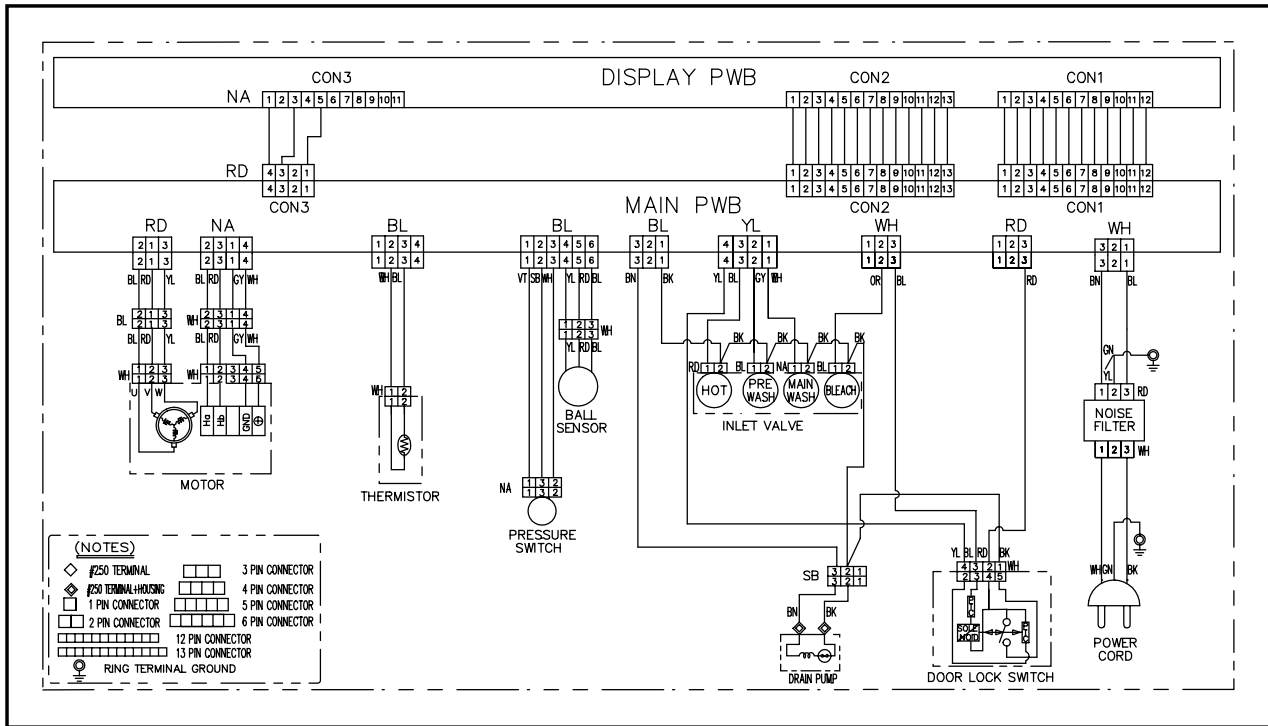
START/PAUSE button

- Use this button to **start/stop** the washer.

WASH,RINSE temp., SPIN SPEED, SOIL LEVEL button

- Select a water temperature based on the type of load you are washing.
- To change the spin speed, press the Spin Speed button repeatedly to cycle through available options.
- To change the soil level, press the Soil Level button repeatedly until the desired setting is on.

6. WIRING DIAGRAM/PROGRAM CHART



PROGRAM CHART

* Water Supply: W-S

* Intermittent Spin: I-S

* Disentangle: D-T

CYCLE STEP Time (SEC)	Wash				Rinse												Spin			A U T O F F E N D 20	** Approx. Working Time (Minutes)												
	Pre		Main		Normal				Extra or Stain			Extra & Stain					D r a i n	S p i n	D - T														
	W-S	Wash	Drain	I-S	W-S	Wash	Cool-down	W-S	Rinse	Drain	I-S	W-S	Rinse	Drain	I-S	W-S						Rinse	Drain	I-S	W-S	Rinse							
	1	2	3	4	5	6	7	8	9	10	11	12	13	14	15	16						17	18	19	20	21	22	23	24	25	26	27	28
Cotton / Towels		8					13																										58
Normal		8					12																									57	
Perm Press		8					19																									55	
Delicates		8					18																									34	
Hand Wash							14																									34	
Drain+Spin																																12	
Wash + Rinse		8					19																									45	
Rinse + Spin																																29	

Basic Cycle
Optional Cycle
Pre-Setting Time : Water Supply - 60 sec.
Drain - 60 sec.

* Wash time is in minutes.

** The total working time will vary with the load size, water temperature and ambient temperature.

7. TROUBLESHOOTING

7-1. BEFORE PERFORMING SERVICE

- Be careful of electric shock when disconnecting parts while troubleshooting.
- The voltage of each terminal is 120 V AC and DC when the unit is plugged in.

7-2. QC TEST MODE.

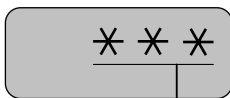
The washer must be empty and the controls must be in the off state.

1. Press the SPIN SPEED and SOIL LEVEL buttons simultaneously.
2. Press the Power (⏻) button, while the above condition. Then buzzer will sound twice.
3. Press the Start/Pause (▶) button repeatedly to cycle through the test modes.

Number of times the Start/Pause button is pressed	Check Point	Display Status
None	Turns on all lamps and locks the door.	
1 time	Tumble clockwise.	rpm (40~50)
2 times	Low speed Spin.	rpm
3 times	High speed Spin.	rpm
4 times	Inlet valve for prewash turns on.	Water level frequency (25~65)
5 times	Inlet valve for main wash turns on.	Water level frequency (25~65)
6 times	Inlet valve for hot water turns on.	Water level frequency (25~65)
7 times	Inlet valve for bleach turns on.	Water level frequency (25~65)
8 times	Tumble counterclockwise.	rpm (40~50)
9 times	Water temperature (Thermistor)	Water temperature [°C]
10 times	Drain pump turns on.	Water level frequency (25~65)
11 times	Power off and unlock the door.	Turn off all lamps.

7-3. HOW TO CHECK THE WATER LEVEL FREQUENCY

- * Press the SPIN SPEED and SOIL LEVEL button simultaneously.








- The digits indicate the water level frequency (x.1 kHz).

So, for example a display indicating 241: a Water level frequency of 241 x.1 kHz
= 24.1 kHz

7-4. ERROR DISPLAY

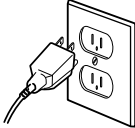
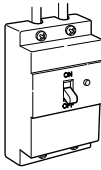


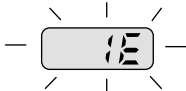



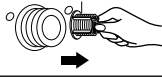
- If you press the START/PAUSE button when an error is displayed, any error except 『PE』 will disappear and the machine will go into the pause status.
- In case of 『PE』, 『LE』, 『dE』 if the error is not resolved within 20 sec., or the in case of other errors, if the error is not resolved within 4 min., power will be turned off automatically and the error code will blink. But in the case of 『FE』, power will not be turned off.



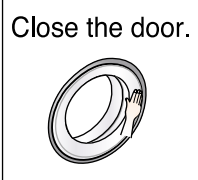

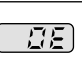
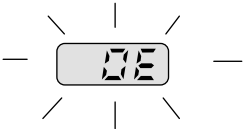


	ERROR	SYMPTOM	CAUSE
1	WATER INLET ERROR		<ul style="list-style-type: none"> • Correct water level (246) is not reached within 8 minutes after water is supplied or it does not reach the preset water level within 25 minutes.
2	IMBALANCE ERROR		<ul style="list-style-type: none"> • The load is too small. • The appliance is tilted. • Laundry is gathered to one side. • Non distributable things are put into the drum.
3	DRAIN ERROR		<ul style="list-style-type: none"> • Not fully drained within 10 minutes.
4	OVER FLOW ERROR		<ul style="list-style-type: none"> • Water is overflowing (water level frequency is over 213). ※ If 『FE』 is displayed, the drain pump will operate to drain the water automatically.
5	PRESSURE SENSOR ERROR		<ul style="list-style-type: none"> • The SENSOR SWITCH ASSEMBLY is out of order.
6	DOOR OPEN ERROR		<ul style="list-style-type: none"> • Door not all the way closed. • Loose electrical connections at Door switch and PWB Assembly. • The DOOR SWITCH ASSEMBLY is out of order.
7	THERMISTOR ERROR		<ul style="list-style-type: none"> • The THERMISTOR is out order.

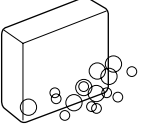
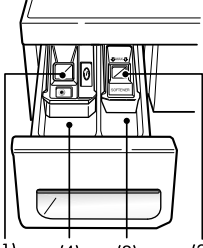
	ERROR	SYMPTOM	CAUSE
8	OVER CURRENT ERROR		<ul style="list-style-type: none"> • MAIN PWB ASSEMBLY is out of order. • Winding in the STATOR ASSEMBLY is short-circuited.
9	LOCKED MOTOR ERROR		<ul style="list-style-type: none"> • The connector (3-pin, male, white) in the MOTOR HARNESS is not connected to the connector (3-pin, female, white) of STATOR ASSEMBLY. • The electric contact between the connectors (3-pin, male, white) in the MOTOR HARNESS and 4-pin, female, white connector in the MAIN PWB ASSEMBLY is bad or unstable. • The MOTOR HARNESS between the STATOR ASSEMBLY and MAIN PWB ASSEMBLY is cut (open circuited). • The hall sensor is out of order/defective.
10	BALL SENSOR ERROR		<ul style="list-style-type: none"> • Loose Ball Sensor Connector. • Ball Sensor is out of order. ※ Displayed only when the START/PAUSE button is first pressed in the QC Test Mode.
11	EEPROM ERROR		<ul style="list-style-type: none"> • EEPROM is out of order. ※ Displayed only when the START/PAUSE button is first pressed in the QC Test Mode.
12	POWER FAILURE		<ul style="list-style-type: none"> • The washer experienced a power failure.

8. ERROR DIAGNOSIS AND CHECK LIST

8-1. DIAGNOSIS AND SOLUTION FOR ABNORMAL OPERATION

SYMPTOM	GUIDE FOR SERVICE CALL	
<p>No power</p>	<p>Is the power plug connected firmly to 120 V AC outlet?</p> <p style="text-align: center;">YES</p> <p>Power failure? or Breaker opened? Is the outlet controlled by a switch?</p> <p style="text-align: center;">NO</p> <p style="text-align: center;">Visit to service.</p>	 
<p>Water inlet trouble</p> 	<p>Is  displayed?</p> <p style="text-align: center;">YES</p> <p>Is the tap opened?</p> <p style="text-align: center;">YES</p> <p>Is the tap frozen?</p> <p style="text-align: center;">NO</p> <p>Is the water supply shut-off?</p> <p style="text-align: center;">NO</p> <p>Is filter in the inlet valve clogged with foreign material?</p> <p style="text-align: center;">NO</p> <p style="text-align: center;">Visit to service.</p>	    <p style="text-align: center;">Clean the filter of inlet valve</p> 

SYMPTOM	GUIDE FOR SERVICE CALL
<p>Door error</p> 	<p>Started with door opened? YES → </p> <p>NO</p> <p>Close the door. </p> <p>Was the load too large? YES → Avoid overloading.</p> <p>NO</p> <p>Clicking sound is heard once or twice, when the START/PAUSE button is pressed to start the cycle?</p> <p>NO</p> <p>Visit to service.</p> <p>Check if the door switch is OK.</p>
<p>Drain trouble</p> 	<p>Is  displayed? YES → </p> <p>NO</p> <p>Is the drain pump filter clogged with foreign material such as pins, coins, etc? YES → Clean up the filter. </p> <p>NO</p> <p>Is the drain hose frozen, kinked, or crushed? </p> <p>NO</p> <p>Visit to service.</p>

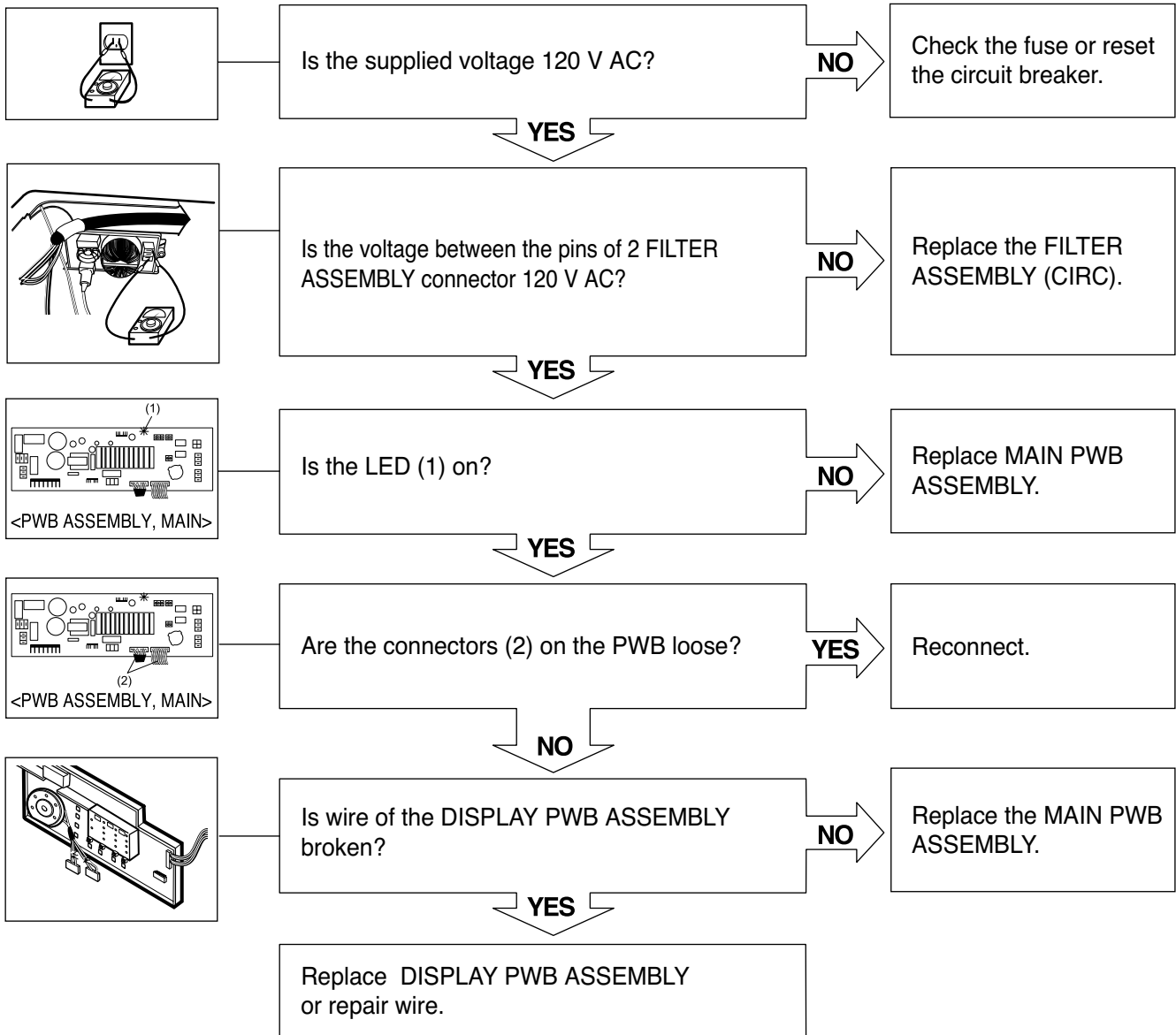
SYMPTOM	GUIDE FOR SERVICE CALL
<p>Suds overflow from the appliance. (In this condition, wash and spin do not operate normally)</p>	<div style="display: flex; justify-content: space-between;"> <div style="width: 65%;"> <p>Is a low-sudsing detergent used?</p> <p style="text-align: center;">YES</p> <p>Is the proper amount of detergent used as recommended?</p> <p style="text-align: center;">YES</p> <p>Recommend to reduce the amount of detergent.</p> <ul style="list-style-type: none"> * This appliance has an automatic suds sensing function which prevents overflow. * When excessive suds are sensed, the suds removing implementations such as drain, water input, pause will operate, without rotating the drum. </div> <div style="width: 30%; text-align: center;">  <p>LOW-SUDSING</p> </div> </div>
<p>Liquid laundry products do not flow in.</p>	<div style="display: flex; justify-content: space-between;"> <div style="width: 65%;"> <p>Is liquid laundry product put in the correct compartment of the dispenser?</p> <p style="text-align: center;">YES</p> <p>Is the cap clogged?</p> <p style="text-align: center;">YES</p> <p>Explain proper use of liquid laundry products.</p> <p>Clean the compartment.</p> </div> <div style="width: 30%; text-align: center;">  <p>(1) Liquid chlorine Bleach Compartment (2) Liquid fabric Softener Compartment (3) Prewash Compartment (4) Main Wash Compartment</p> </div> </div>
<div style="display: flex; flex-direction: column; align-items: center; gap: 10px;"> <div style="border: 1px solid gray; border-radius: 5px; padding: 5px; background-color: #f0f0f0;">FE</div> <div style="display: flex; gap: 10px;"> <div style="border: 1px solid gray; border-radius: 5px; padding: 5px; background-color: #f0f0f0;">FE</div> <div style="border: 1px solid gray; border-radius: 5px; padding: 5px; background-color: #f0f0f0;">CE</div> </div> <div style="display: flex; gap: 10px;"> <div style="border: 1px solid gray; border-radius: 5px; padding: 5px; background-color: #f0f0f0;">EE</div> <div style="border: 1px solid gray; border-radius: 5px; padding: 5px; background-color: #f0f0f0;">LE</div> </div> </div>	<p style="text-align: center; border: 1px solid gray; border-radius: 15px; padding: 10px; width: fit-content; margin: 0 auto;">Visit to service.</p>

8-2. FAULT DIAGNOSIS AND TROUBLESHOOTING

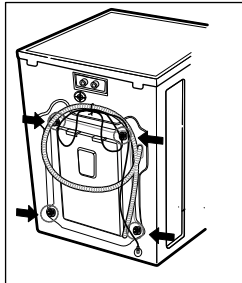
⚠ CAUTION

1. Be careful of electric shock if disconnecting parts while troubleshooting.
2. First of all, check the connection of each electrical terminal with the wiring diagram.
3. If you replace the MAIN PWB ASSEMBLY, reinsert the connectors correctly.

NO POWER



VIBRATION & NOISE IN SPIN



Have all the transit bolts and base packing been removed?

NO

Remove the transit bolts and Base packing.

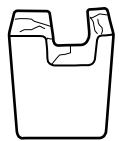
YES

Is the washer installed on a solidly constructed floor?

NO

Move the washer or reinforce the floor.

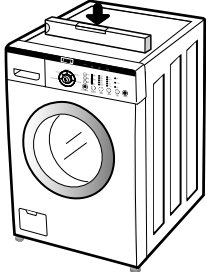
YES



Base Packing

Check if the washer is perfectly level as follows:

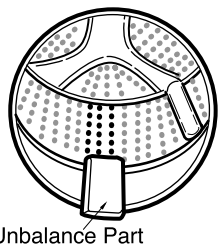
Level



Check the leveling of the washer with a Level and check that the washer is stable.

Put an unbalance part (rubber) inside of drum and start QC test mode and run in high spin (Refer to section 7-2).

When the machine is spinning in high speed, verify that it is stable.



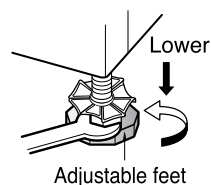
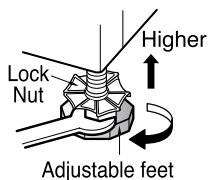
Unbalance Part

If you do not have the unbalance part, put 4.5 to 6.5 lbs (2 to 3 kg) of clothing. Once loaded, press power, Rinse+Spin and the start/pause button in sequence.

When the machine is spinning in high speed, verify that it is stable.

YES

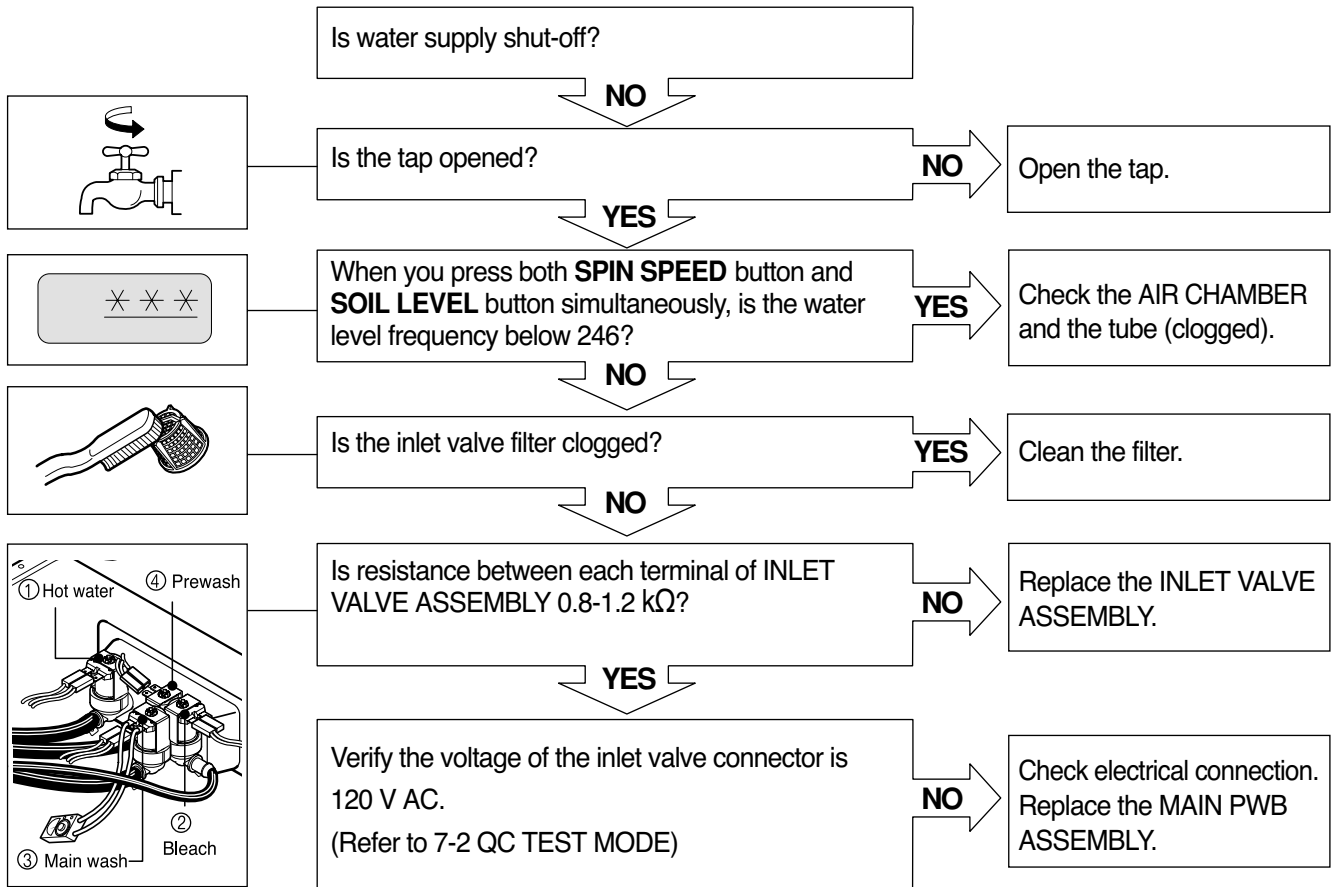
If it is not stable, adjust feet accordingly. After the washer is level, tighten the lock nuts up against of the base of the washer. All lock nuts must be tightened.



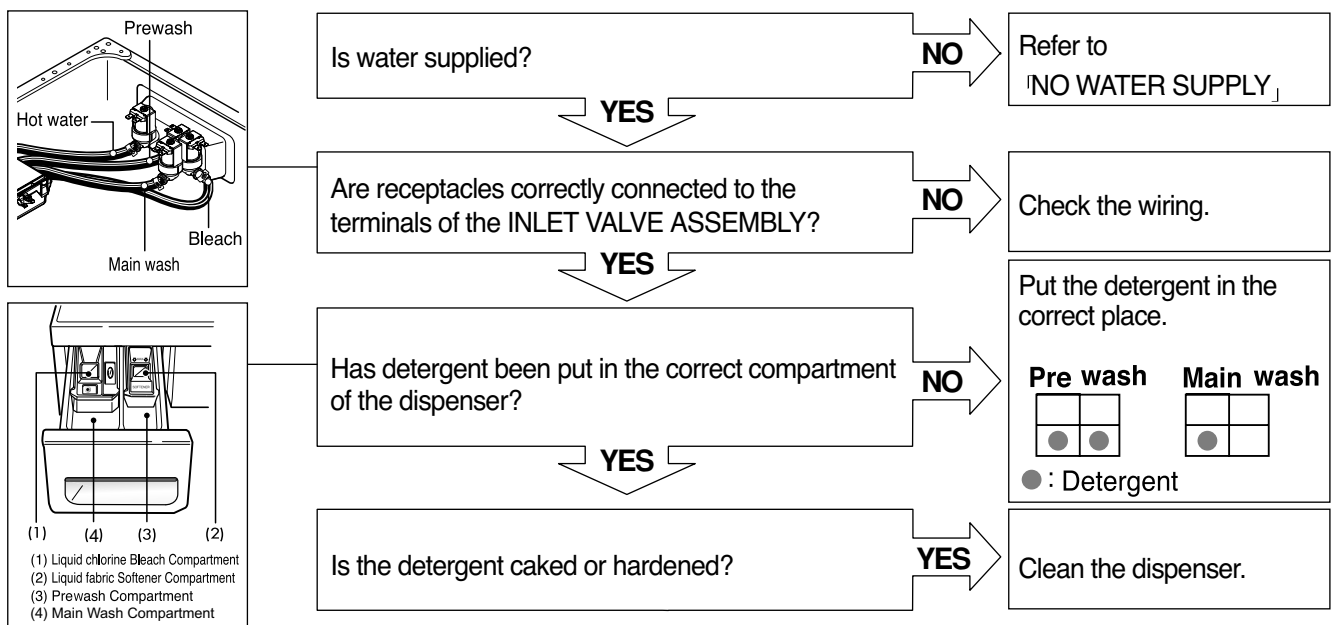
If it still has severe vibration and noise, regulate a specific spin speed that generates excessive vibration and noise as follows:

- 1) Put an unbalance part (rubber) inside of the drum.
 - 2) Start the QC test mode (Refer to section 7-2).
 - 3) Press Delay Wash button, then ' ㄹ ㄷ ㄹ ' is displayed.
 - 4) Press the Spin Speed button repeatedly to select HIGH.
 - 5) Press the Start/Pause button.
 - 6) Press the Beeper button repeatedly to set spin speed (600, 700, 800, 900, 1000 rpm) and check if there is vibration and noise.
 - 7) If there is no vibration and noise, increase the spin speed by pressing Beeper button.
 - 8) If there is vibration and noise, press the Cycle selector button to reduce the Spin Speed (reduce by 50 and 100 rpm). In case of 600 rpm, it can not reduce the spin speed.
 - 9) If vibration and noise are reduced, press the WASH/RINSE button to store (2 beep sounds).
- * If you want to return to factory default spin speed setting, repeat above steps except step 8).

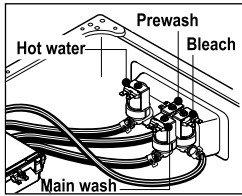
NO WATER SUPPLY



DETERGENT DOES NOT FLOW IN



SOFTENER/BLEACH DOES NOT FLOW IN



Is water supplied?

NO

Refer to 'NO WATER SUPPLY'

YES

Are the plugs correctly connected to the terminals of the INLET VALVE ASSEMBLY?

NO

Check the wiring on the dispenser.

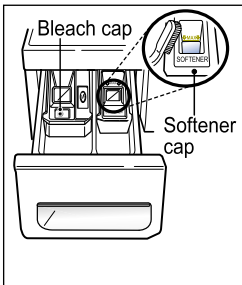
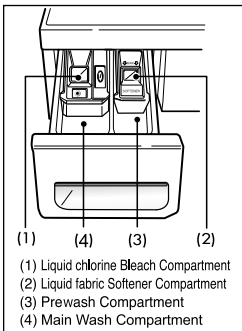
YES

Is softener/bleach put in the correct compartment of the drawer?

NO

Put it in the correct compartment.

YES

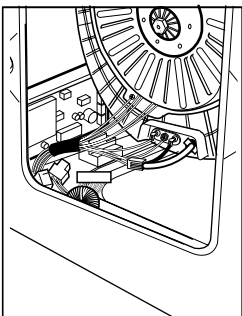


Is the softener/bleach cap clogged?

YES

Clean the Cap and Container.

ABNORMAL SOUND



Is the motor bolt loosened?

YES

Secure the bolt.

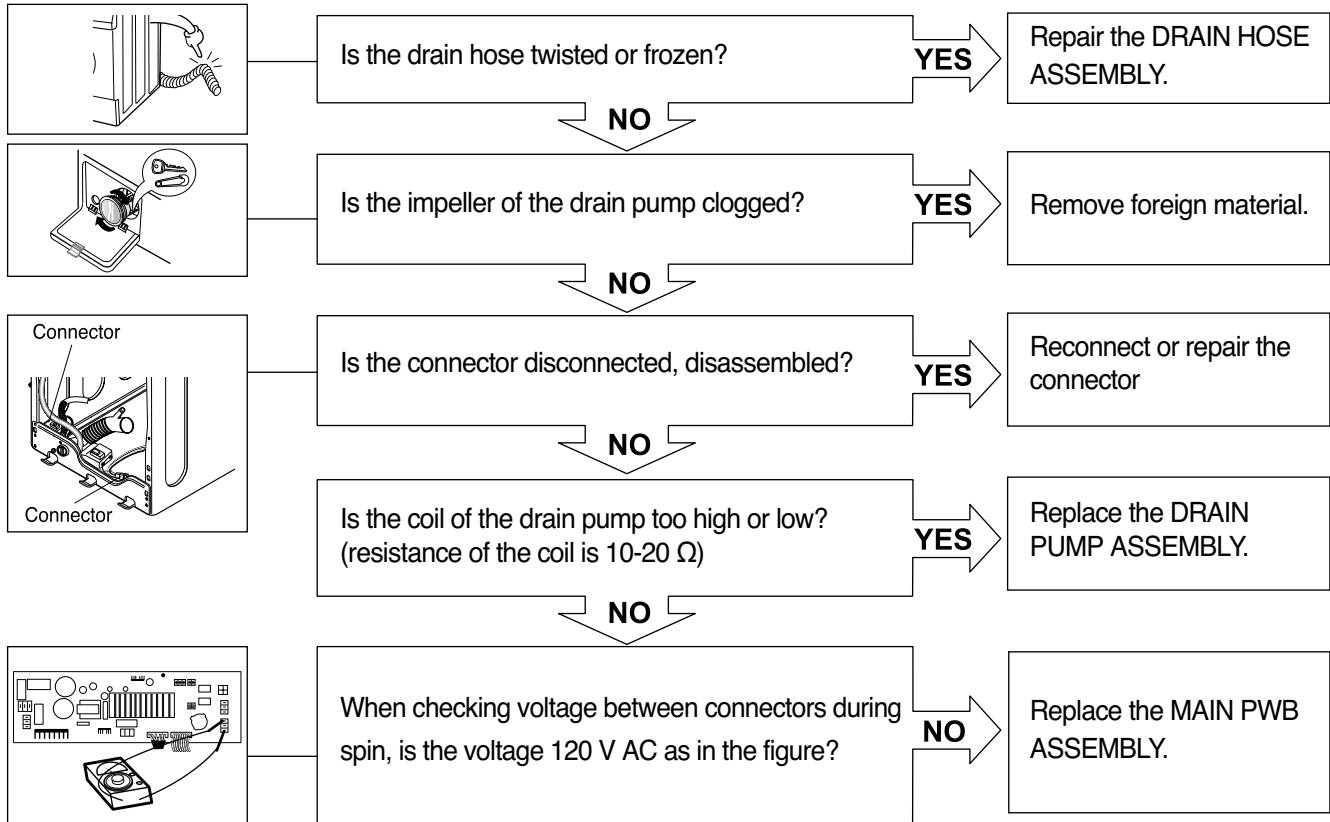
NO

Is there friction noise coming from the motor?

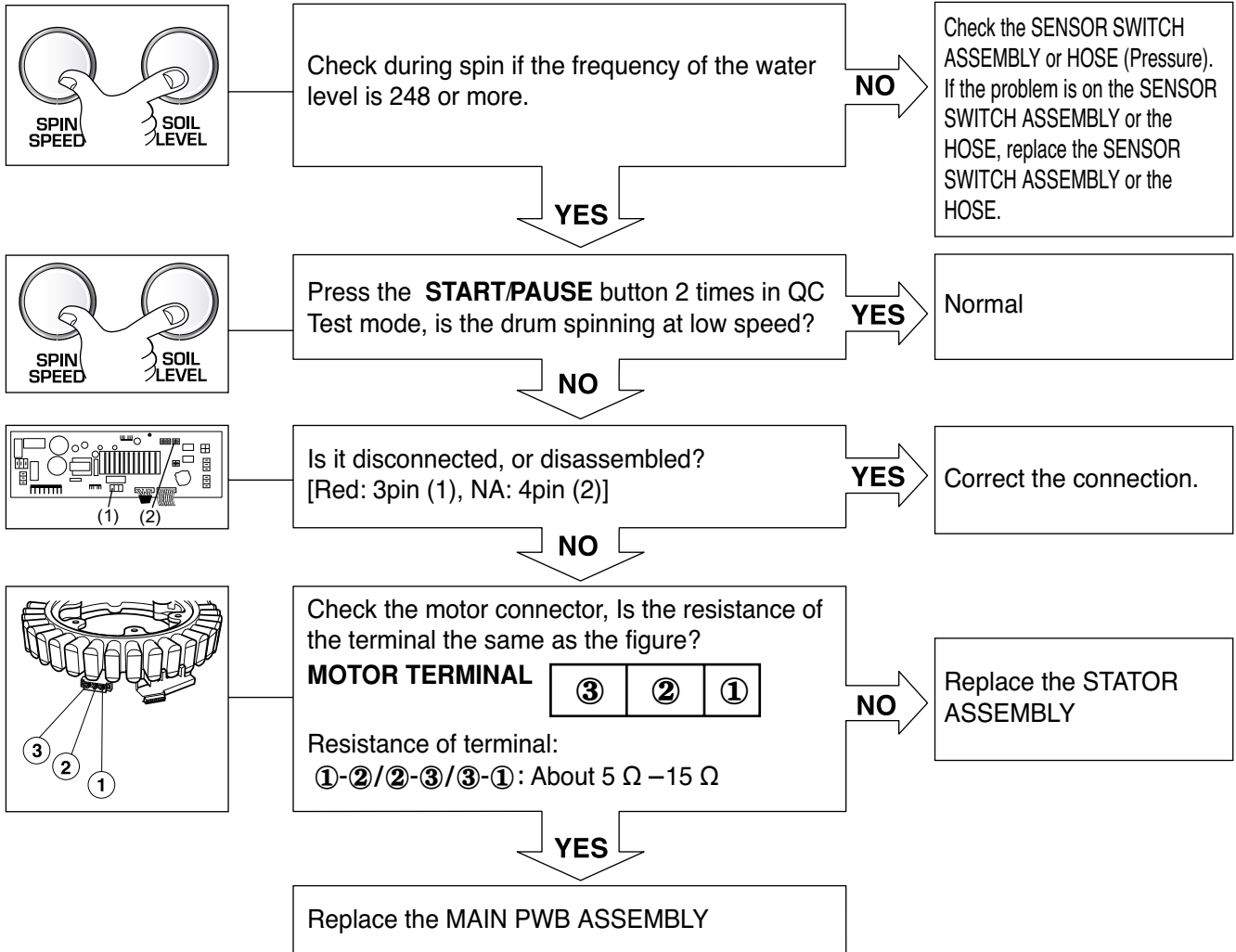
YES

Replace the STATOR ASSEMBLY or ROTOR ASSEMBLY.

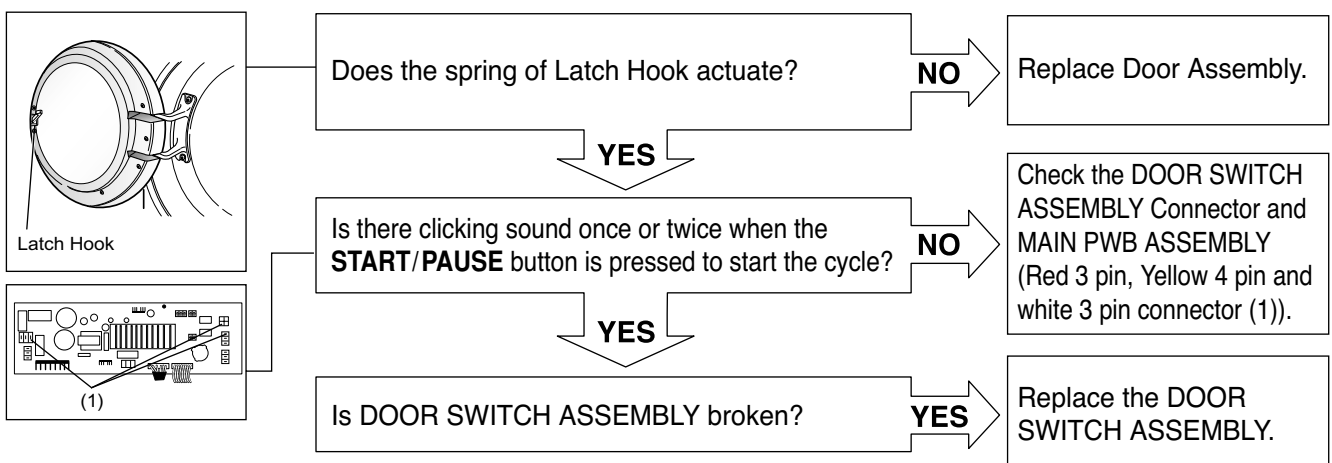
DRAIN MALFUNCTION



SPIN TROUBLE



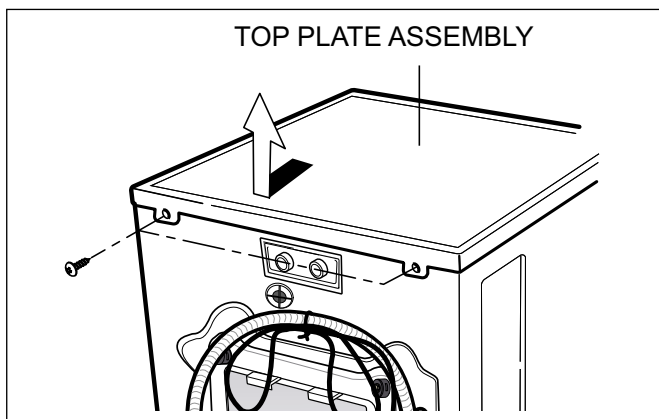
E ERROR



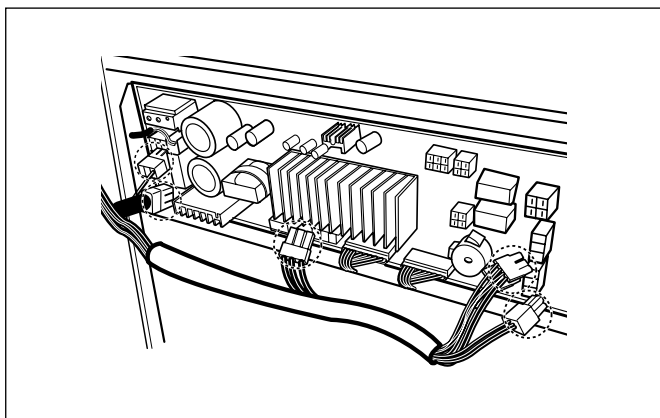
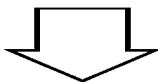
9. DISASSEMBLY INSTRUCTIONS

* Be sure to unplug the machine out of the outlet before disassembling and repairing the parts.

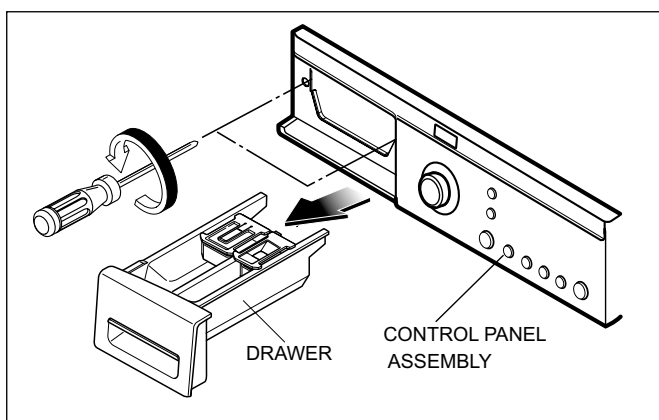
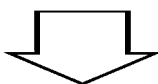
CONTROL PANEL ASSEMBLY



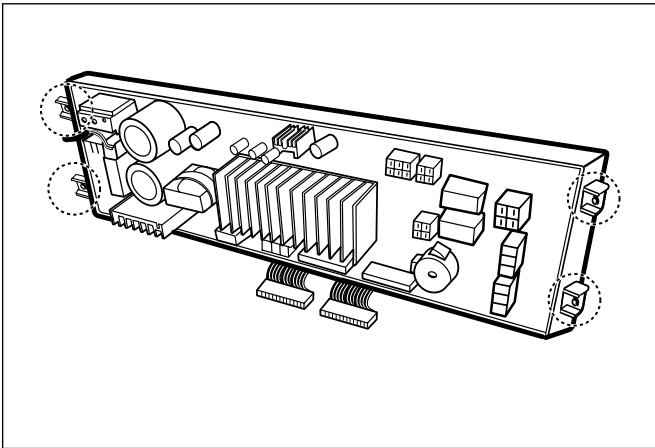
- ① Unscrew 2 screws on the back of the top plate.
- ② Pull the top plate backward and upward as shown.



- ③ Disconnect the connectors from the Main PWB Assembly

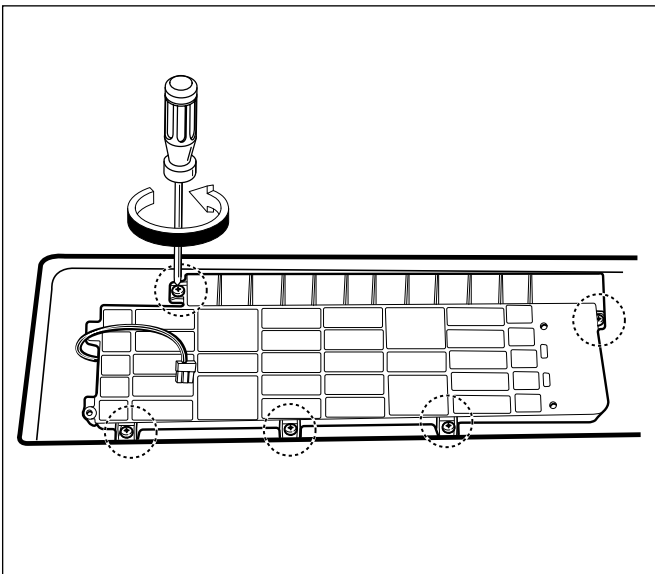


- ④ Pull out the drawer and unscrew 2 screws.
- ⑤ Lift the left side of the Control Panel Assembly and pull it out.



⑥ Unscrew the 4 screws from the Control Panel Assembly.

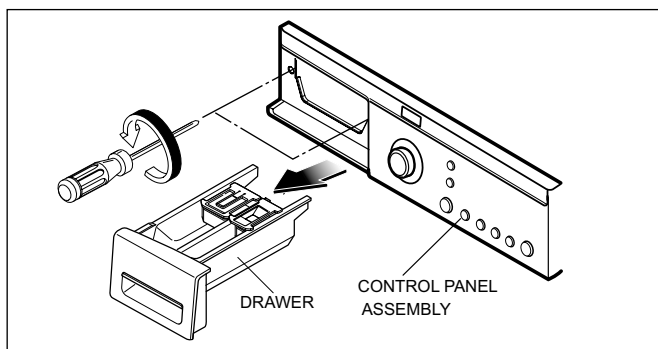
⑦ Disassemble the Main PWB Assembly.



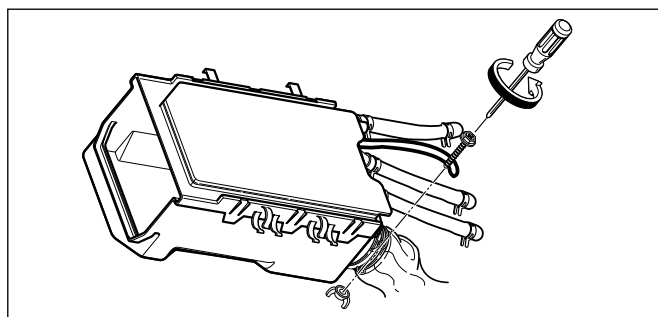
⑧ Unscrew the 5 screws from the Control Panel Assembly.

⑨ Disassemble the Display PWB Assembly.

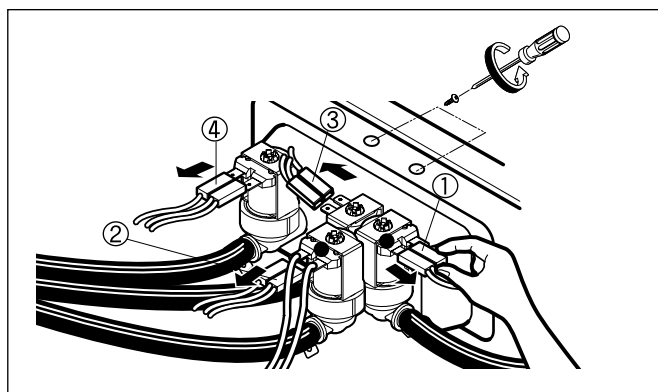
DISPENSER ASSEMBLY



- ① Disassemble the top plate assembly.
- ② Pull out the drawer.
- ③ Push out the DISPENSER ASSEMBLY after unscrew 2 screws.



- ④ Unscrew the nut at the lower part of the dispenser.



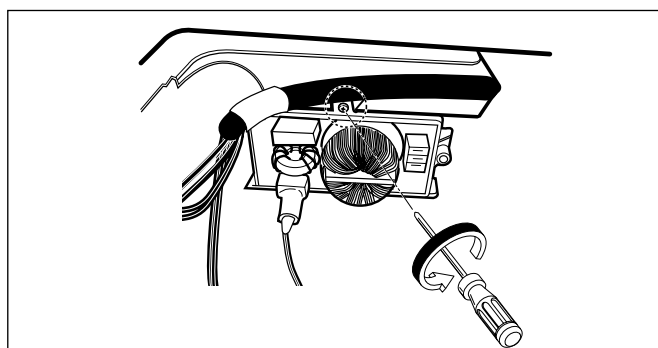
- ⑤ Disassemble the 4 connectors from the valves.

※ Wire Color

- ① Blue Housing (OR-BK)
- ② White Housing (WH-BK)
- ③ Blue Housing (GY-BK)
- ④ Red Housing (BL-BK)

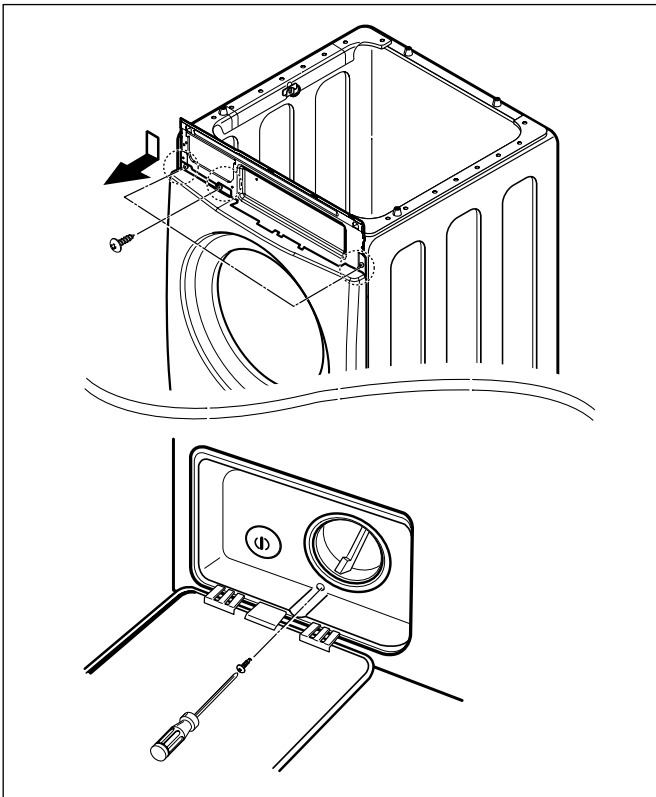
- ⑥ Unscrew 2 screws from the back of the cabinet.

NOISE FILTER

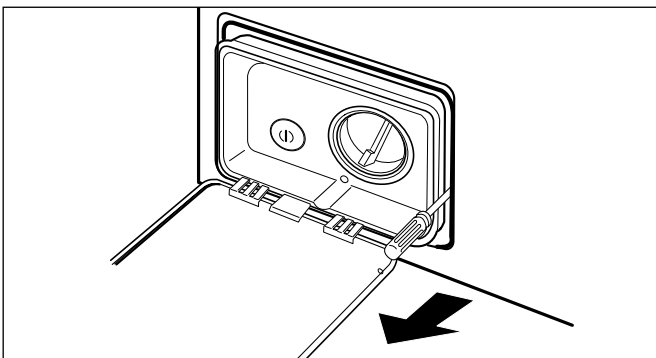


- ① Disassemble two connectors from the Filter Assembly.
- ② Unscrew a screw from the TOP BRACKET.

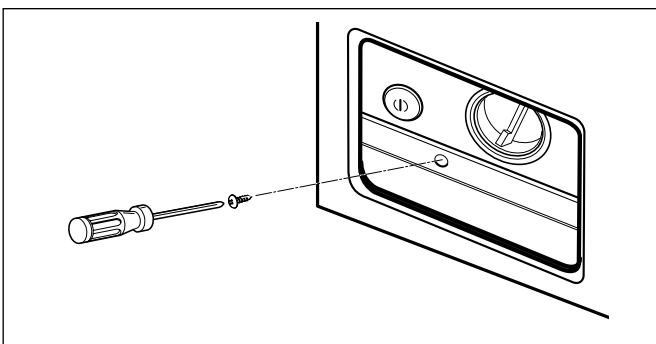
CABINET COVER



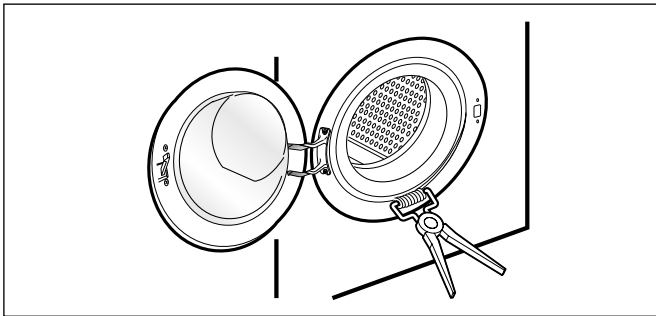
- ① Unscrew the 3 screws from upper of the cabinet cover.
- ② Unscrew the screw from filter cover.



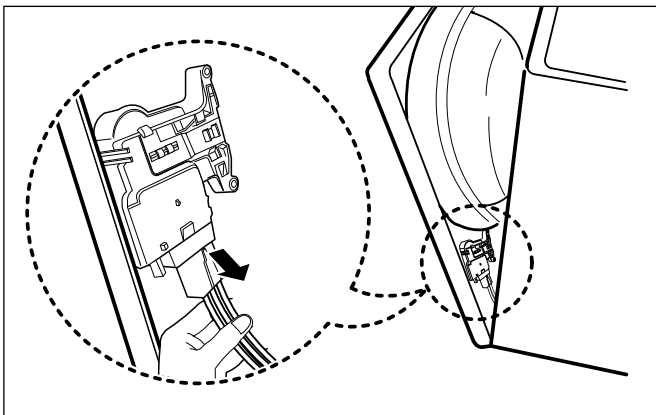
- ③ Put a flat (-) screwdriver or putty knife into the both sides of the filter cover, and pull it out.



- ④ Unscrew the screw from the lower side of the cabinet cover.

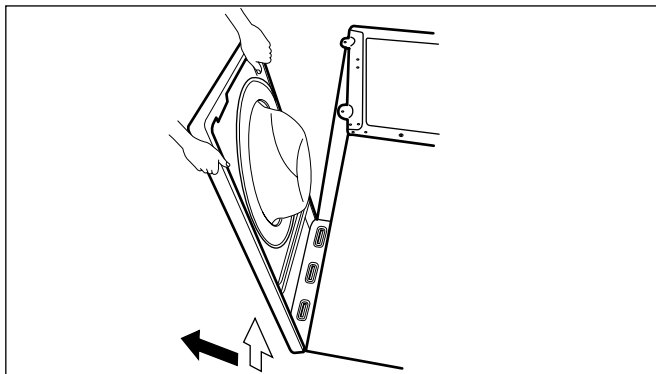


- ⑤ Open the door.
- ⑥ Disassemble the clamp assembly.

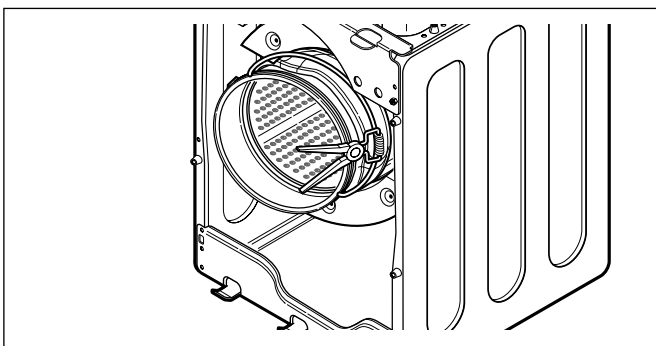


- ⑦ Tilt the cabinet cover.
- ⑧ Disconnect the door switch connector.

※ **NOTE:** When assembling the CABINET COVER, connect the connector.

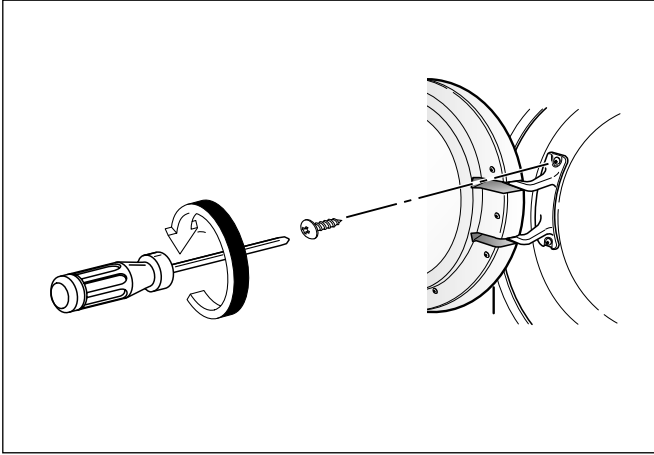


- ⑨ Lift and separate the cabinet cover.



- ⑩ Disassemble the clamp assembly.
- ⑪ Disassemble the Gasket.

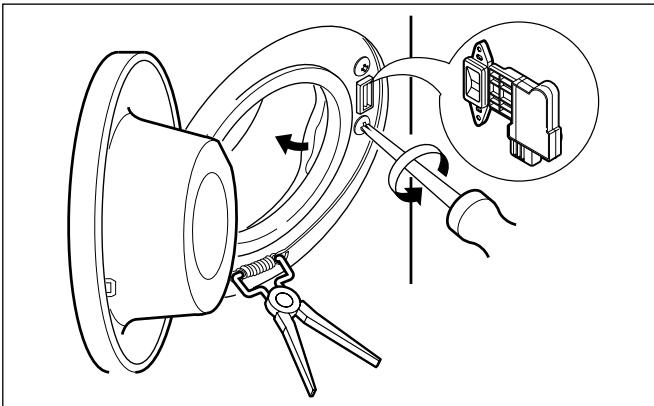
DOOR



- ① Open the door.
- ② Unscrew the 2 screws from the Cabinet Cover.
- ③ Disassemble the door upward.

※ **Be careful!** The door is heavy.

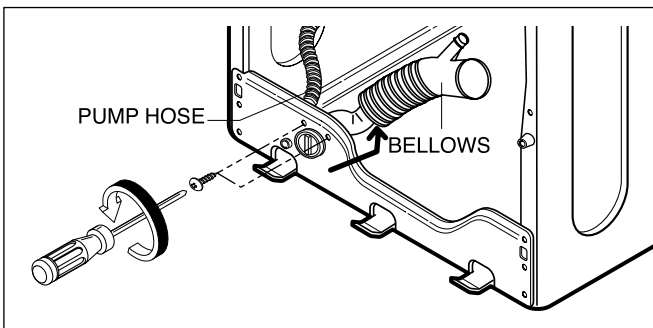
DOOR LOCK SWITCH ASSEMBLY



- ① Open the door and disassemble the CLAMP ASSEMBLY.
- ② Unscrew the 2 screws.

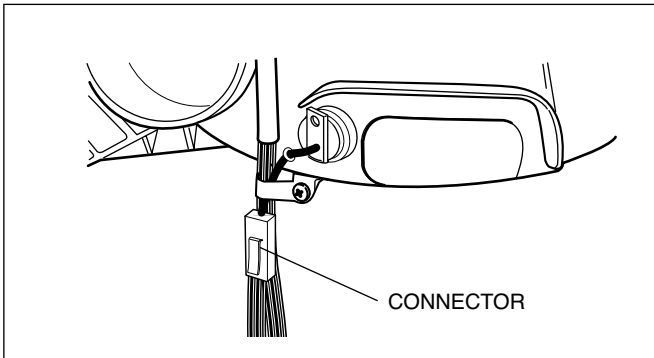
※ **NOTE**
• Reconnect the connector after replacing the DOOR SWITCH ASSEMBLY.

PUMP



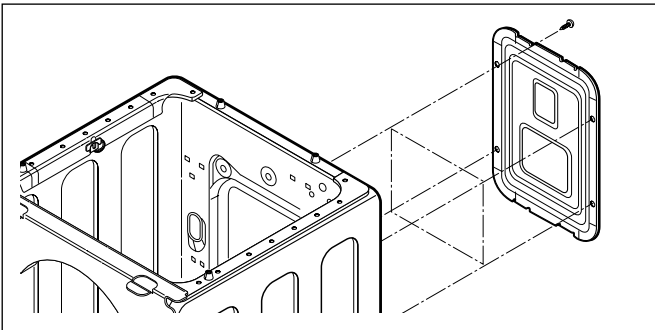
- ① Disassemble the cabinet cover.
- ② Separate the pump hose, the bellows and the circulation hose assembly from the pump assembly.
- ③ Disassemble the pump assembly in arrow direction.

THERMISTOR

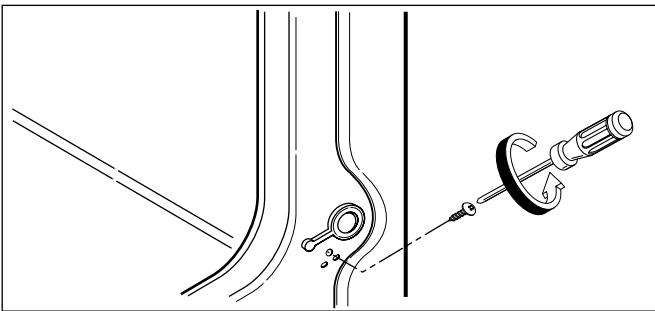


- ① Disassemble the Back cover.
- ② Unscrew a screw from the Tub.
- ③ Unplug the white connector from the thermistor.
- ④ Pull it out by holding the bracket of the thermistor.

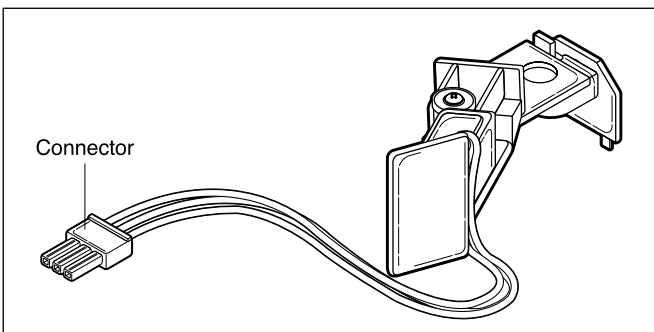
SENSOR ASSEMBLY (BALL SENSOR)



- ① Unscrew the 4 screws from the back cover.

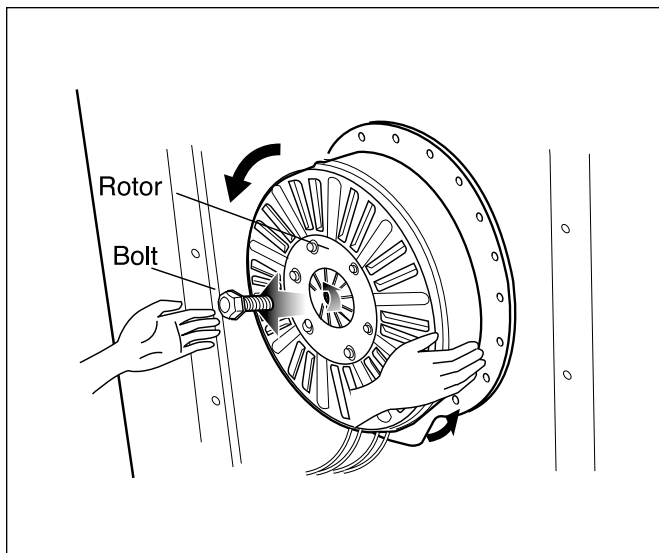


- ② Unscrew the single screw from the lower-right side of the cabinet.

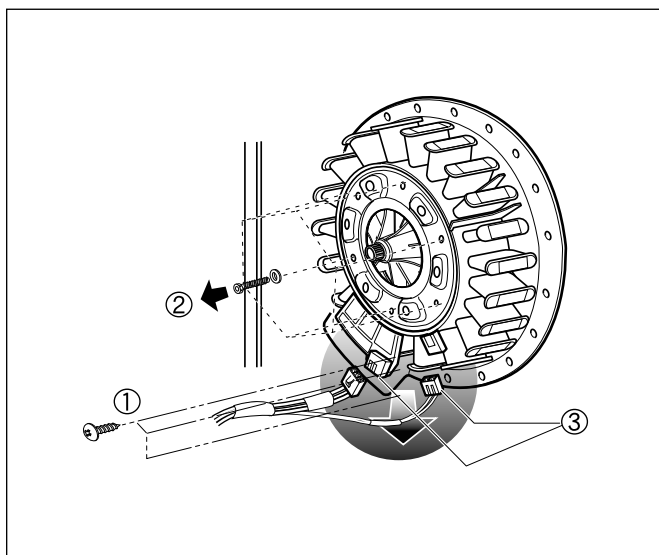


- ③ Disconnect the connector from PWB Harness.

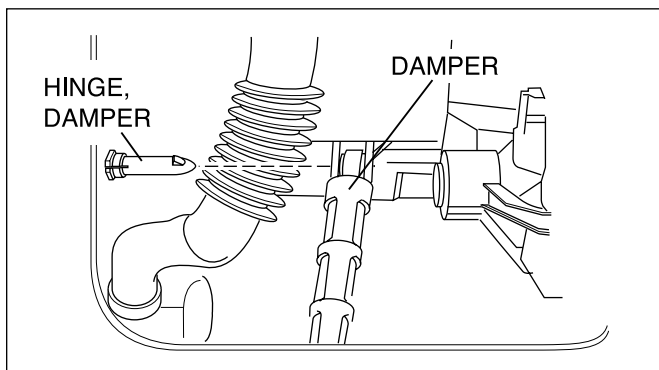
MOTOR/DAMPER



- ① Disassemble the back cover.
- ② Remove the bolt.
- ③ Pull out the Rotor.



- ① Unscrew the 2 screws from the tub bracket.
- ② Remove the 6 bolts on the stator.
- ③ Unplug the 2 connectors from the stator.



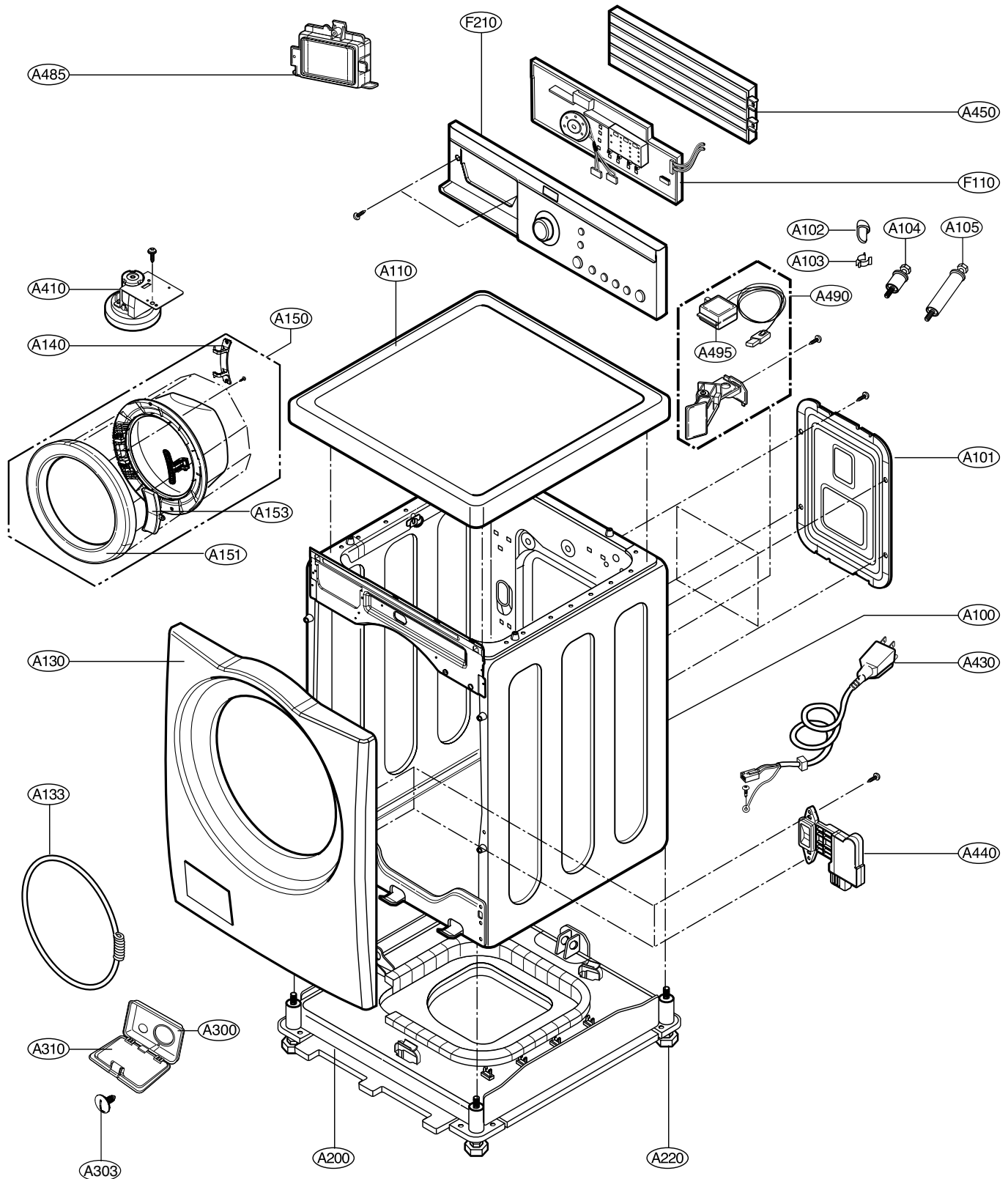
- ① Disassemble the damper hinges from the tub and base.
- ② Separate the dampers.

※ NOTE

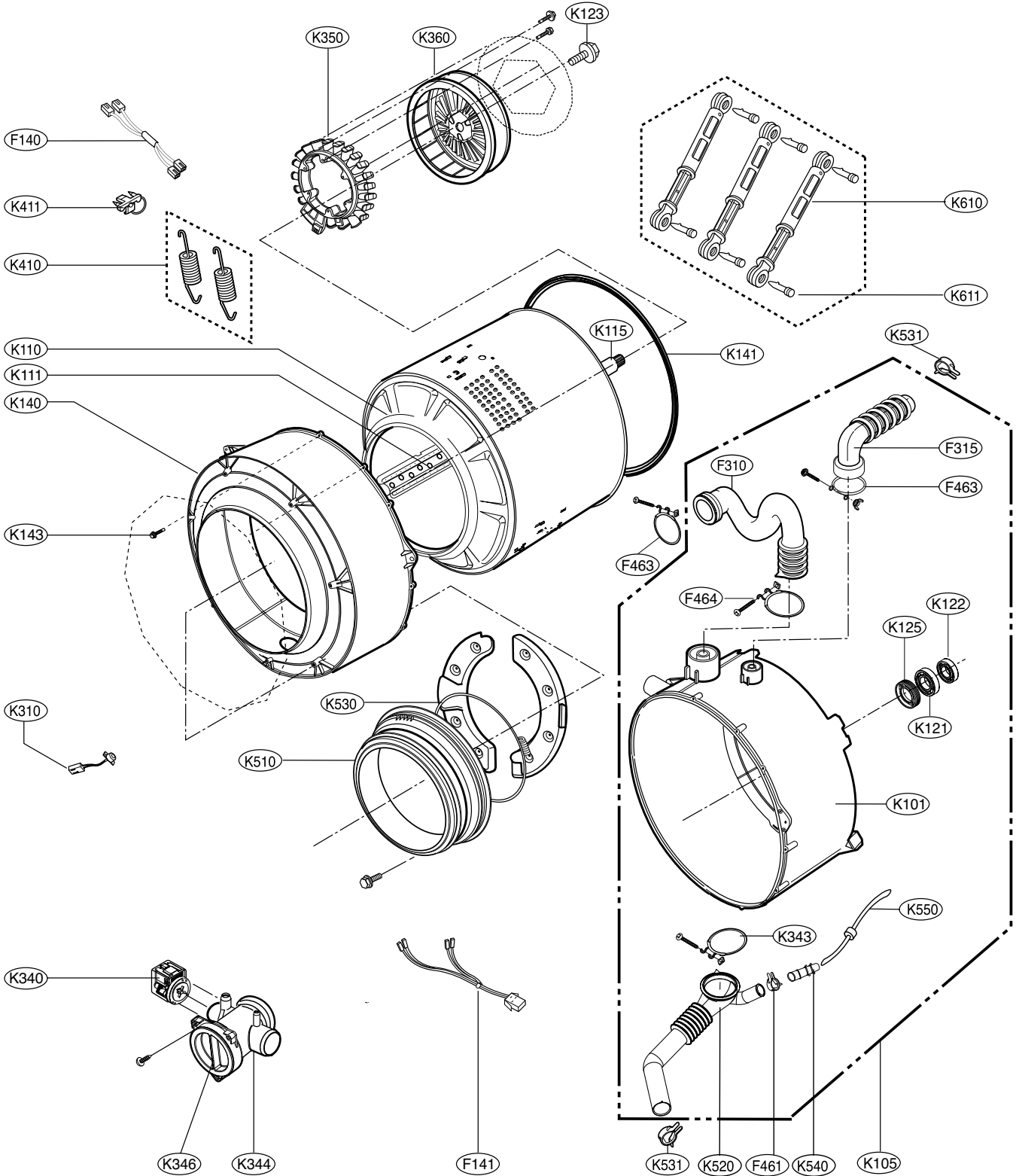
- Once removed, replace the damper with new one.

10. EXPLODED VIEW

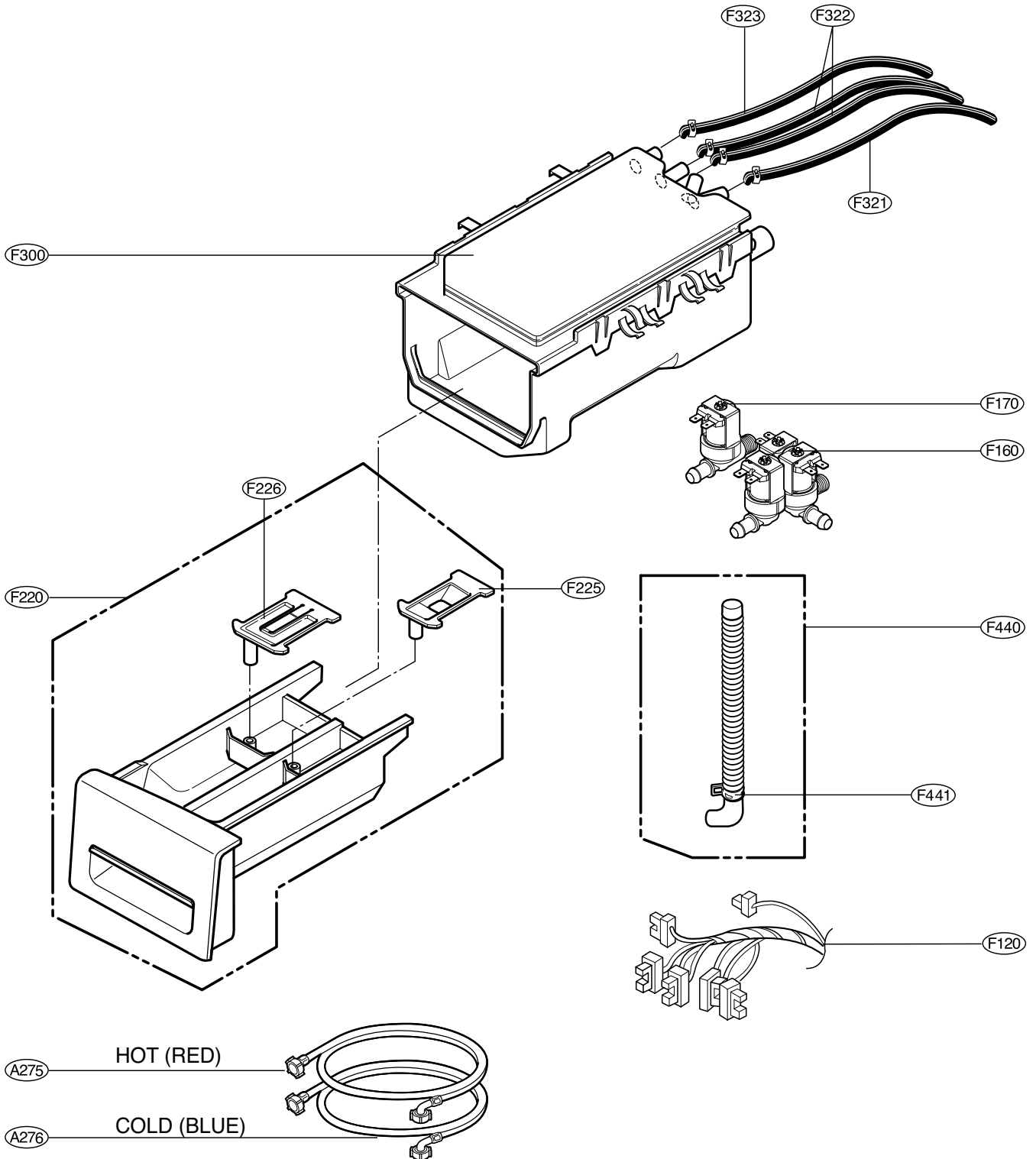
10-1. CABINET & CONTROL PANEL ASSEMBLY



10-2. DRUM & TUB ASSEMBLY



10-3. DISPENSER ASSEMBLY



REPLACEMENT PARTS LIST

CAUTION : Before replacing any part of these components
Read carefully the safety precautions in this manual

NOTE : S(Safety Parts), AL(Alternative parts)

LG MODEL: WD-90280BD.ABWEEUS		Run_Date : 2004-04-12				
YOUR MODEL: WM1814CW		SPECIFICATION: 120V 60Hz				
S	AL	LOC	DESCRIPTION	PARTS No.	Q'TY	REMARKS
		*001	MANUAL ASSEMBLY,OWNERS	3829ER3024Y	1	
		*002	BOX,CARTON	3890EZ3546A	1	
		*003	SPANNER	3W20018B	1	
		*004	MANUAL,SERVICE	3828ER3027F	0	
		A100	CABINET ASSEMBLY	3091ER0004C	1	
		A101	COVER,BACK	3808FR1202A	1	
		A102	BUSHING	4830ER3001A	1	
		A103	HOLDER	4930FR3151A	1	
		A104	BOLT ASSEMBLY	4011FR3159E	2	
		A105	BOLT ASSEMBLY	4011FR3159D	2	
		A110	TOP PLATE ASSEMBLY	3457ER1006B	1	
		A130	COVER,FRONT	3550ER0027A	1	
		A133	CLAMP ASSEMBLY	2W20017F	1	
		A140	HINGE	4774ER2008A	1	
		A150	DOOR ASSEMBLY	3581ER1010A	1	
		A151	DOOR FRAME,OUTER	3212ER0007A	1	
		A153	HANDLE	3650EL2003A	1	
		A200	BASE ASSEMBLY,CABINET	3041ER0001E	1	
		A220	LEG ASSEMBLY	4779ER3002A	4	
		A275	HOSE,INLET	5215FD3715G	1	
		A276	HOSE,INLET	5215FD3715H	1	
		A300	CASE	3110ER2005A	1	
		A303	CAP,COVER	5006FR3146D	1	
		A310	CAP,COVER	5006ER2003A	1	
i		A410	SWITCH ASSEMBLY,SENSOR SWITCH	6601ER1006A	1	
i		A430	POWER CORD ASSEMBLY	6411ER1005C	1	
i		A440	SWITCH ASSEMBLY,DOOR	6601ER1004C	1	
i		A450	PWB(PCB) ASSEMBLY,MAIN	6871EC1118A	1	
		A485	FILTER ASSEMBLY(CIRC)	6201EC1006A	1	
		A490	BRACKET ASSEMBLY	4811ER3001A	1	
		A495	SENSOR ASSEMBLY	6501FA2462C	1	
		F110	PWB(PCB) ASSEMBLY,DISPLAY	6871EC2041A	1	
i		F120	HARNESS,PWB	6877ER1029A	1	
i		F140	HARNESS,MOTOR	6877ER1016C	1	
i		F141	HARNESS,MOTOR	6877ER3003C	1	
i		F160	VALVE ASSEMBLY,INLET	5221ER1003A	1	
i		F170	VALVE ASSEMBLY,INLET	5220FR2006H	1	
		F210	PANEL ASSEMBLY,CONTROL	3721ER1160A	1	
		F220	PANEL ASSEMBLY,DRAWER	3721ER1158A	1	
		F225	CAP,SOFTENER	5006ER3014B	1	
		F226	CAP,SIPHONE	5006ER3018A	1	
		F300	DISPENSER ASSEMBLY	4925ER1015B	1	
		F310	BELLOWS	4738ER1004B	1	
		F315	BELLOWS	4738ER2002A	1	
		F321	HOSE,INLET	5214ER4001A	1	
		F322	HOSE,INLET	5214ER4001B	2	
		F323	HOSE,INLET	5214ER4001J	1	
		F440	HOSE,PUMP	5214FR3188M	1	
		F441	CLAMP	4861FR3068C	1	
		F461	CLAMP	4861FR3068C	1	
		F463	CLAMP	4860FR3092F	2	
		F464	CLAMP	4860FR3092C	1	
		K101	TUB,OUTER	3044ER0016A	1	
		K105	TUB ASSEMBLY,OUTER[SUB4]	3045ER0023A	1	

LG MODEL: WD-90280BD.ABWEEUS			Run_Date : 2004-04-12			
YOUR MODEL: WM1814CW			SPECIFICATION: 120V 60Hz			
S	AL	LOC	DESCRIPTION	PARTS No.	Q'TY	REMARKS
		K110	TUB ASSEMBLY,INNER[DRUM]	3045ER0021B	1	
		K111	LIFTER	4432ER1006A	3	
		K115	SPIDER	4434ER0003A	1	
		K121	BEARING,BALL	4280FR4048F	1	
		K122	BEARING,BALL	4280FR4048G	1	
		K123	BOLT ASSEMBLY	4040FR4051B	1	
		K125	SEAL	4036ER2003A	1	
		K140	COVER ASSEMBLY,TUB	3551ER0011A	1	
		K141	SEAL	4036ER4001C	1	
		K143	SCREW,DRAWING	1SZZFA4362C	16	
i		K310	THERMISTOR ASSEMBLY	6322FR2046F	1	
i		K340	MOTOR ASSEMBLY,PUMP	4681EA2001D	1	
		K343	CLAMP	4860FR3092C	1	
		K344	CASING,PUMP	3108ER1001B	1	
		K346	FILTER(MECH)	5230ER3002A	1	
i		K350	STATOR ASSEMBLY	4417FA1994H	1	
		K360	ROTOR ASSEMBLY	4413ER1001C	1	
		K410	SPRING,HINGE	4970FR2084S	2	
		K411	HOLDER	4930FR3040A	2	
		K510	GASKET	4986ER0006B	1	
		K520	BELLOWS	4738ER1006A	1	
		K530	CLAMP ASSEMBLY	4861ER2001E	1	
		K531	CLAMP	4861FR3068E	2	
		K540	CHAMBER,AIR	3504FR3134A	1	
		K550	HOSE,INLET	5214ER4001L	1	
		K610	DAMPER ASSEMBLY,FRICITION	4900FR2030F	3	
		K611	HINGE	4774FR3118B	6	

REPLACEMENT PARTS LIST

CAUTION : Before replacing any part of these components
Read carefully the safety precautions in this manual

NOTE : S(Safety Parts), AL(Alternative parts)

LG MODEL: WD-90282BD.ABWEEUS			Run_Date : 2004-04-12			
YOUR MODEL: WM1812CW			SPECIFICATION: 120V 60Hz			
S	AL	LOC	DESCRIPTION	PARTS No.	Q'TY	REMARKS
		*001	MANUAL ASSEMBLY,OWNERS	3829ER3024Y	1	
		*002	BOX,CARTON	3890EZ3546A	1	
		*003	SPANNER	3W20018B	1	
		*004	MANUAL,SERVICE	3828ER3027F	0	
		A100	CABINET ASSEMBLY	3091ER0004C	1	
		A101	COVER,BACK	3808FR1202A	1	
		A102	BUSHING	4830ER3001A	1	
		A103	HOLDER	4930FR3151A	1	
		A104	BOLT ASSEMBLY	4011FR3159E	2	
		A105	BOLT ASSEMBLY	4011FR3159D	2	
		A110	TOP PLATE ASSEMBLY	3457ER1006B	1	
		A130	COVER,FRONT	3550ER0027A	1	
		A133	CLAMP ASSEMBLY	2W20017F	1	
		A140	HINGE	4774ER2008A	1	
		A150	DOOR ASSEMBLY	3581ER1010B	1	
		A151	DOOR FRAME,OUTER	3212ER0007B	1	
		A153	HANDLE	3650EL2003B	1	
		A200	BASE ASSEMBLY,CABINET	3041ER0001E	1	
		A220	LEG ASSEMBLY	4779ER3002A	4	
		A275	HOSE,INLET	5215FD3715G	1	
		A276	HOSE,INLET	5215FD3715H	1	
		A300	CASE	3110ER2005A	1	
		A303	CAP,COVER	5006FR3146D	1	
		A310	CAP,COVER	5006ER2003A	1	
i		A410	SWITCH ASSEMBLY,SENSOR SWITCH	6601ER1006A	1	
i		A430	POWER CORD ASSEMBLY	6411ER1005C	1	
i		A440	SWITCH ASSEMBLY,DOOR	6601ER1004C	1	
i		A450	PWB(PCB) ASSEMBLY,MAIN	6871EC1118A	1	
		A485	FILTER ASSEMBLY(CIRC)	6201EC1006A	1	
		A490	BRACKET ASSEMBLY	4811ER3001A	1	
		A495	SENSOR ASSEMBLY	6501FA2462C	1	
		F110	PWB(PCB) ASSEMBLY,DISPLAY	6871EC2041A	1	
i		F120	HARNESS,PWB	6877ER1029A	0	
i		F140	HARNESS,MOTOR	6877ER1016C	1	
i		F141	HARNESS,MOTOR	6877ER3003C	1	
i		F160	VALVE ASSEMBLY,INLET	5221ER1003A	1	
i		F170	VALVE ASSEMBLY,INLET	5220FR2006H	1	
		F210	PANEL ASSEMBLY,CONTROL	3721ER1160B	1	
		F220	PANEL ASSEMBLY,DRAWER	3721ER1158A	1	
		F225	CAP,SOFTENER	5006ER3014B	1	
		F226	CAP,SIPHONE	5006ER3018A	1	
		F300	DISPENSER ASSEMBLY	4925ER1015B	1	
		F310	BELLOWS	4738ER1004B	1	
		F315	BELLOWS	4738ER2002A	1	
		F321	HOSE,INLET	5214ER4001A	1	
		F322	HOSE,INLET	5214ER4001B	2	
		F323	HOSE,INLET	5214ER4001J	1	
		F440	HOSE,PUMP	5214FR3188M	1	
		F441	CLAMP	4861FR3068C	1	
		F461	CLAMP	4861FR3068C	1	
		F463	CLAMP	4860FR3092F	2	
		F464	CLAMP	4860FR3092C	1	
		K101	TUB,OUTER	3044ER0016A	1	
		K105	TUB ASSEMBLY,OUTER(SUB4)	3045ER0023A	1	

LG MODEL: WD-90282BD.ABWEEUS			SPECIFICATION: 120V 60Hz			Run_Date : 2004-04-12
YOUR MODEL: WM1812CW						
S	AL	LOC	DESCRIPTION	PARTS No.	Q'TY	REMARKS
		K110	TUB ASSEMBLY,INNER[DRUM]	3045ER0021B	1	
		K111	LIFTER	4432ER1006A	3	
		K115	SPIDER	4434ER0003A	1	
		K121	BEARING,BALL	4280FR4048F	1	
		K122	BEARING,BALL	4280FR4048G	1	
		K123	BOLT ASSEMBLY	4040FR4051B	1	
		K125	SEAL	4036ER2003A	1	
		K140	COVER ASSEMBLY,TUB	3551ER0011A	1	
		K141	SEAL	4036ER4001C	1	
i		K143	SCREW,DRAWING	1SZZFA4362C	16	
i		K310	THERMISTOR ASSEMBLY	6322FR2046F	1	
		K340	MOTOR ASSEMBLY,PUMP	4681EA2001D	1	
		K343	CLAMP	4860FR3092C	1	
		K344	CASING,PUMP	3108ER1001B	1	
i		K346	FILTER(MECH)	5230ER3002A	1	
		K350	STATOR ASSEMBLY	4417FA1994H	1	
		K360	ROTOR ASSEMBLY	4413ER1001C	1	
		K410	SPRING,HINGE	4970FR2084S	2	
		K411	HOLDER	4930FR3040A	2	
		K510	GASKET	4986ER0006B	1	
		K520	BELLOWS	4738ER1006A	1	
		K530	CLAMP ASSEMBLY	4861ER2001E	1	
		K531	CLAMP	4861FR3068E	2	
		K540	CHAMBER,AIR	3504FR3134A	1	
		K550	HOSE,INLET	5214ER4001L	1	
		K610	DAMPER ASSEMBLY, FRICTION	4900FR2030F	3	
		K611	HINGE	4774FR3118B	6	