



Service Manual

Electric Cooktop



 **Electrolux**

**THIS IS A
BLANK
PAGE**

Table of Contents

SAFE SERVICING PRACTICES	1
PRODUCT FEATURES	2
WIRING DIAGRAM.....	3
SECTION A - INSTALLATION	4
CUT-OUT DIMENSIONS	4
STAINLESS STEEL BACKSPLASH INSTALLATION	5
COUNTERTOP CUTOUT OPENING	6
IMPORTANT SAFETY INSTRUCTIONS	7
ELECTRICAL CONNECTION	8
COOKTOP INSTALLATION	9
SECTION B - TROUBLESHOOTING	10
ENTIRE COOKTOP DOES NOT OPERATE	10
SURFACE ELEMENT DOES NOT HEAT	10
SURFACE ELEMENT TOO HOT OR NOT ENOUGH HOT	10
SECTION C - DISASSEMBLY, ADJUSTMENT AND REPLACEMENT OF PARTS.....	11
1.0 HOW TO REMOVE THE COOKTOP FROM THE COUNTERTOP	11
2.0 HOW TO REMOVE THE PANELS TO ACCESS THE ELEMENTS, THE PILOT LIGHTS AND THE CONTROL SWITCHES	11
3.0 HOW TO REPLACE THE ELEMENTS	13
4.0 HOW TO REPLACE THE CONTROL SWITCHES	13
5.0 HOW TO REPLACE THE PILOT LIGHTS	14
SECTION D - EXPLODED VIEW DRAWINGS	15
CONTROL PANEL EXPLODED VIEW	15
CONTROL PANEL PART DESCRIPTIONS	16
MAIN TOP EXPLODED VIEW	17
MAIN TOP PART DESCRIPTIONS	18



**THIS IS A
BLANK
PAGE**

SAFE SERVICING PRACTICES 1

To avoid personal injury and/or property damage, it is important that **Safe Servicing Practices** be observed. The following are some limited examples of safe practices:

1. **DO NOT** attempt a product repair if you doubt your ability to complete it in a safe and satisfactory manner.
2. Before servicing or moving an appliance:
 - Remove power cord from electrical outlet, trip circuit breaker to the **OFF** position, or remove fuse.
 - Turn off gas supply
 - Turn off water supply
3. Never interfere with the proper operation of any safety device.
4. **Use The Correct Replacement Parts Cataloged For This Appliance. Substitutions May Defeat Compliance With Safety Standards Set For Home Appliances.**
5. **GROUNDING:** The standard color code for safety ground wires is **GREEN**, or **GREEN** with **YELLOW STRIPES**. **DO NOT** use ground leads as current carrying conductors. It is **EXTREMELY** important that the service technician reestablish all safety grounds prior to completion of service. Failure to do so will create a hazard.
6. Prior to returning the product to service, ensure that:
 - All electrical connections are correct and secure.
 - All electrical leads are properly dressed and secured away from sharp edges, high-temperature components, and moving parts
 - All non-insulated electrical terminals, connectors, heaters, etc. are adequately spaced away from all metal parts and panels
 - All safety grounds (both internal and external) are correctly and securely connected
 - All panels are properly and securely reassembled

WARNING

This service manual is intended for use by persons having electrical and mechanical training and a level of knowledge of these subjects generally considered acceptable in the appliance repair trade. Electrolux Home Products cannot be responsible, nor assume any liability, for injury or damage of any kind arising from the use of this manual.

2 Product Feature

Cooktop Type

Stainless Steel Frame & Glass

Glass

Black Vitroceramic

Control Knobs

6 - Plastic, Stainless Steel Coating with Bezel

Surface Indicator Light / Témoin Lumineux:

3 - Red / Rouge

Surface Element Wattage

R. R. / D. AR.: **6" Dia.**, 1200W, Radiant

L. R. / G. AR.: **6" Dia.**, 1200W, Radiant

C. R. / C. AR.: **7" Dia.**, 1800W, Radiant

C. F. / C. AV.: **Ext.-7" Dia.**, 1800W / 2600W, Radiant

R. F. / D. AV.: **6" / 9" Dia.**, 1000W / 2500W, Radiant

L. F. / G. AV.: **6" / 9" Dia.**, 1000W / 2500W, Radiant

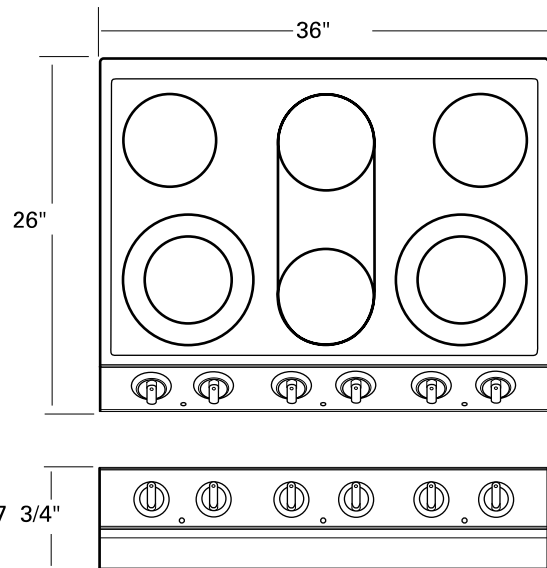
Griddle Plate

Surface Element Controls

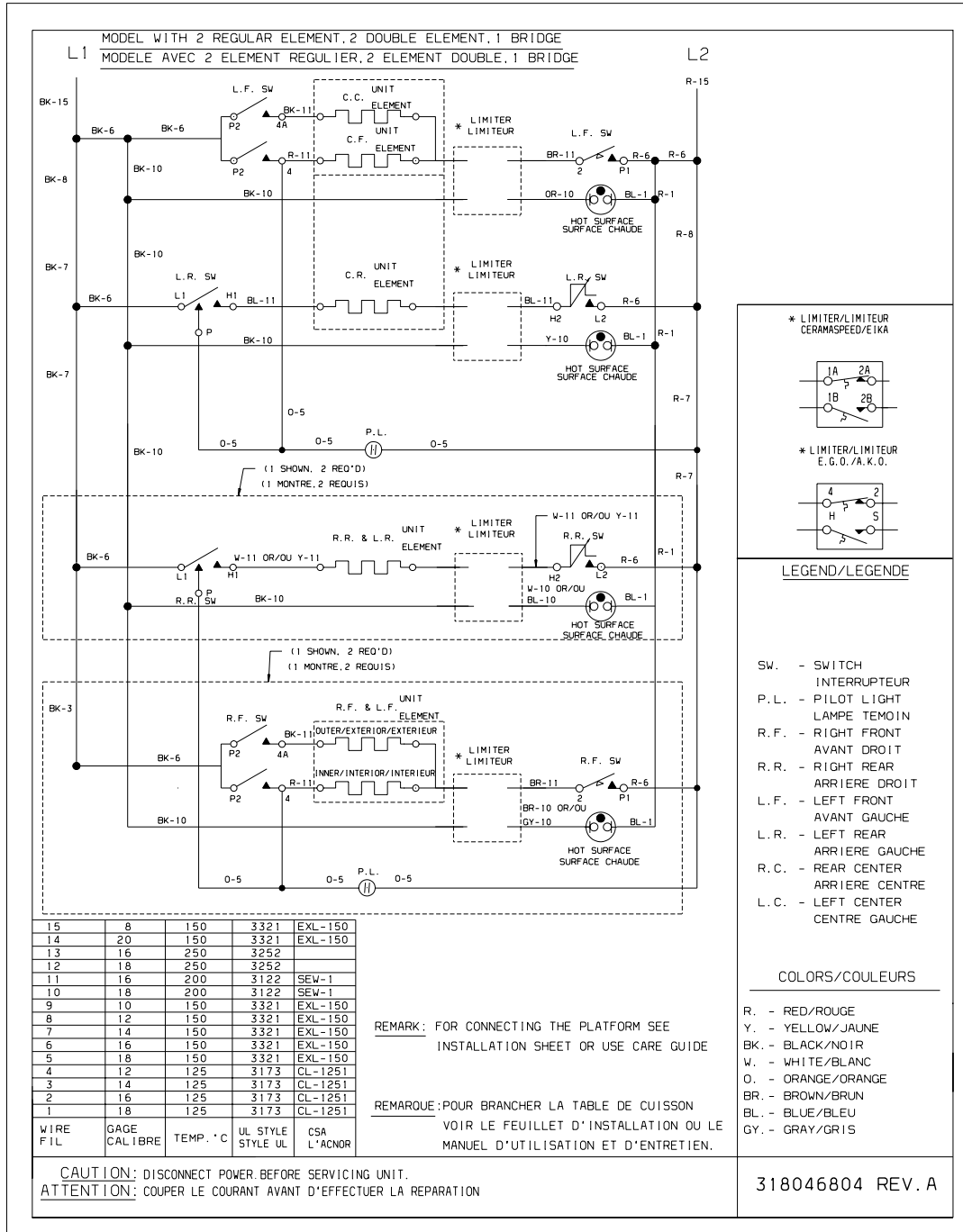
3 - Infinite + 3 - Infinite Exp

Hot Surface Indicator Light

6 - Blue



Wiring Diagram 3



4 Section A - Installation Instructions

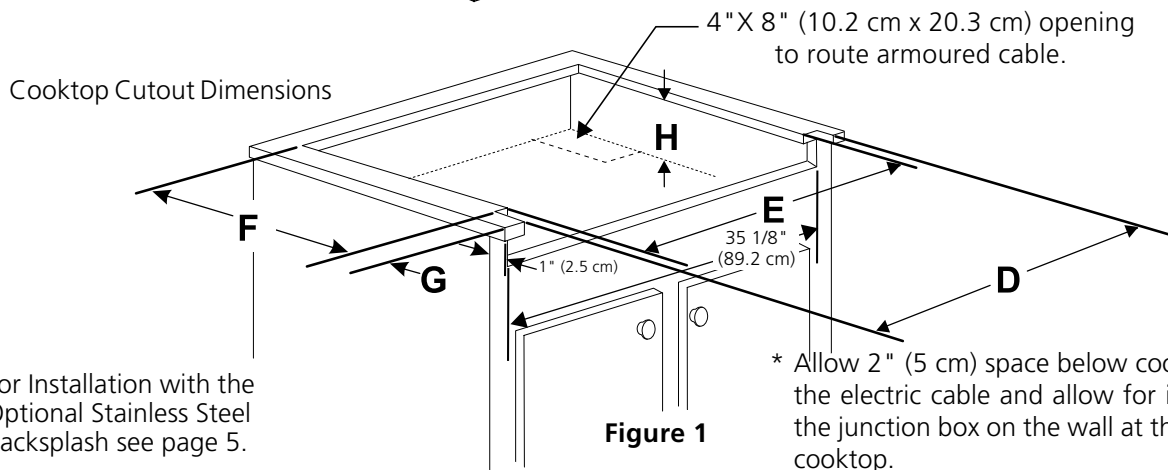
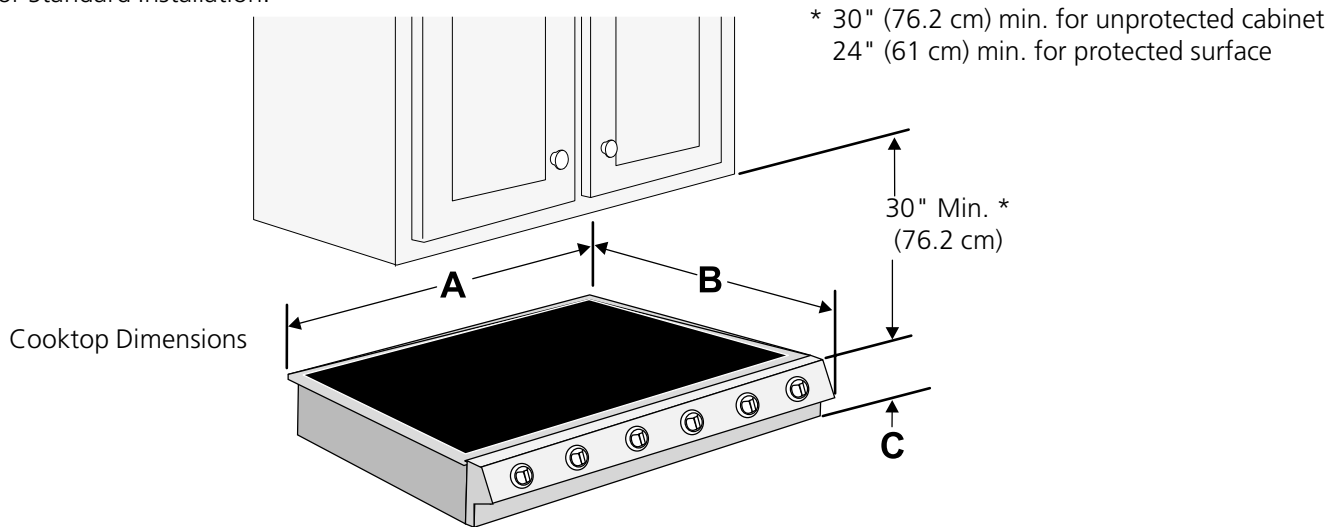
**INSTALLATION AND SERVICE MUST BE PERFORMED BY A QUALIFIED INSTALLER.
IMPORTANT: SAVE FOR LOCAL ELECTRICAL INSPECTOR'S USE.
READ AND SAVE THESE INSTRUCTIONS FOR FUTURE REFERENCE.**

⚠ WARNING FOR YOUR SAFETY: Do not store or use gasoline or other flammable vapors and liquids in the vicinity of this or any other appliance.

IMPORTANT INSTALLATION INFORMATION

- All electric cooktops run off a single phase, three-wire or four-wire cable, 240/208 volt, 60 hertz, AC only electrical supply with ground.
- Minimum distance between cooktop and overhead cabinetry is 30" (76.2 cm).

For Standard Installation:



For Installation with the Optional Stainless Steel Backsplash see page 5.

Figure 1

MODEL	A. LENGTH	B. WIDTH	C. DEPTH	CUTOUT DIMENSIONS				H. DEPTH BELOW COOKTOP*
				D	E	F	G	
36 (91.4)	35 7/8 (91.1)	25 3/4 (65.4)	7 3/4 (19.7)	36 (91.4)	35 3/16 (89.4)	22 (55.9)	1 1/8 (2.9) Max.	7 1/2 (19.1) Min.- 8 1/2 (21.6) Max.

All dimensions are in inches (cm).

Section A - Installation Instructions

For Installation with the optional Stainless Steel Backsplash.

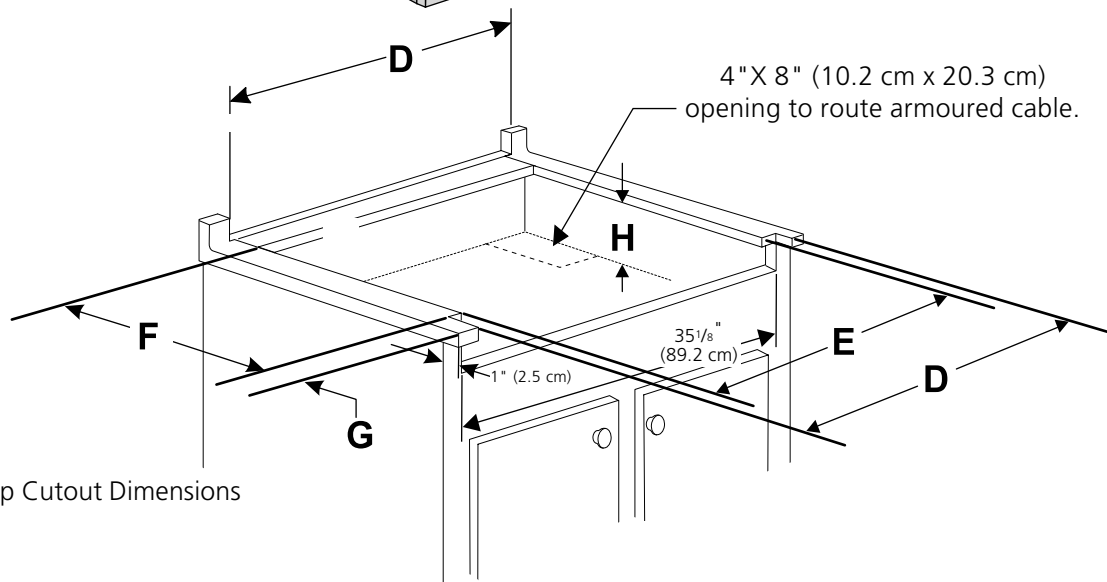
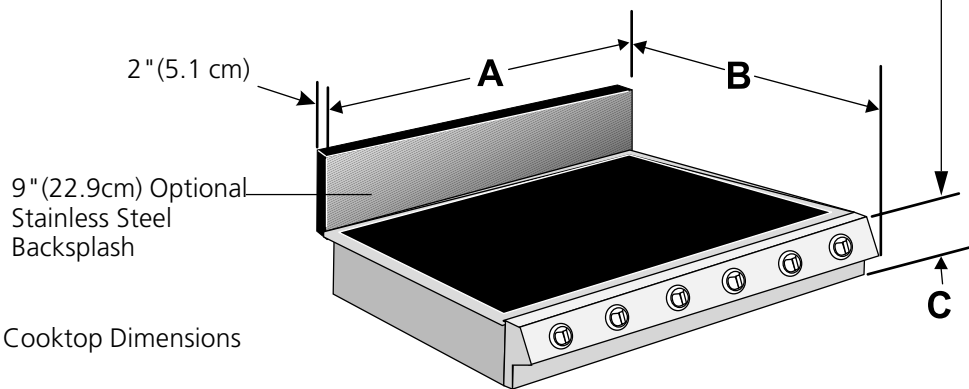
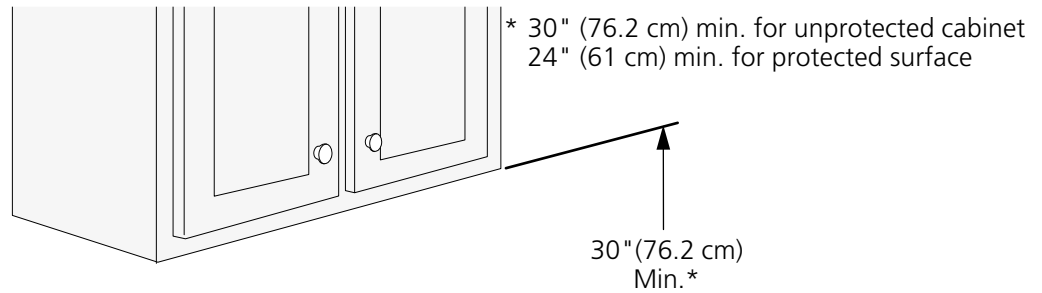


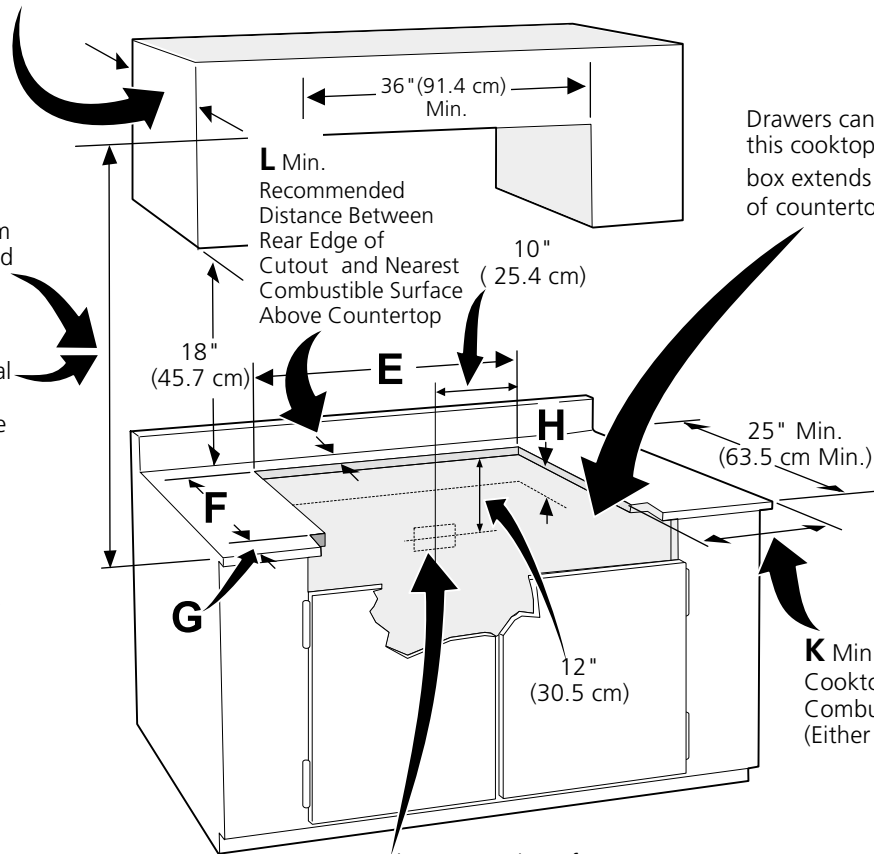
Figure 2

MODEL	A. LENGTH	B. WIDTH	C. DEPTH	CUTOUT DIMENSIONS				H. DEPTH BELOW COOKTOP*
				D	E	F	G	
36 (91.4)	35 7/8 (91.1)	25 3/4 (65.4)	7 3/4 (19.7)	36 (91.4)	35 3/16 (89.4)	22 (55.9)	1 1/8 (2.9) Max.	7 1/2 (19.1) Min.- 8 1/2 (21.6) Max.

Overhead Cabinet Should Not Exceed a Maximum Depth of 13" (33 cm)

30" (76.2 cm) Min. Clearance Between the Top of the Cooking Platform and the Bottom of an Unprotected Wood or Metal Cabinet

24" (61 cm) Min. when Bottom of Wood or Metal Cabinet is Protected by Not Less Than 1/8" Flame Retardant Millboard Covered With Not Less Than No. 28 MGS Sheet Steel, 0.015" (0.4 mm) Stainless Steel, 0.024" (0.6 mm) Aluminum or 0.020" (0.5 mm) Copper



Drawers cannot be used with this cooktop since burner box extends **J** below surface of countertop.

Approximate Location of Junction Box

For dimensions **E, F, G & H**, see Table on page 1.

CAUTION To eliminate the risk of burns or fire by reaching over heated surfaces, cabinet storage space located above the cooktop should be avoided. If cabinet storage is provided, risk can be reduced by installing a range hood that projects horizontally a minimum of 5" (12.7 cm) beyond the bottom of the cabinets.

MODEL	J	K	L
30" Ceramic-Glass	4" (10.2 cm)	7 1/2" (19.1 cm)	2" (5.1 cm)

Figure 3 – COUNTERTOP CUTOUT OPENING

Important Notes to the Installer

1. Read all instructions contained in these installation instructions before installing the cooktop.
2. Remove all packing material before connecting the electrical supply to the cooktop.
3. Observe all governing codes and ordinances.
4. Be sure to leave these instructions with the consumer.

Important Note to the Consumer

Keep these instructions with your Use and Care Guide for future reference.

Optional Items Available:

- A 9" (22.9cm) Stainless Steel Backsplash Kit #903048-9010
- A Black Knobs Kit #903049-9010

Those kits can be order through the Service Center at 1-877-4ELECTROLUX (1-877-435-3287). However all cost related to those kits will be at customer charges.

IMPORTANT SAFETY INSTRUCTIONS

- **Be sure your cooktop is installed and grounded properly by a qualified installer or service technician.**
- **These cooktops must be electrically grounded in accordance with local codes or, in their absence, with the National Electrical Code ANSI/NFPA No. 70—latest edition in the United States, or with CSA Standard C22.1, Canadian Electrical Code, Part 1, in Canada.**

⚠ WARNING The electrical power to the cooktop must be shut off while line connections are being made. Failure to do so could result in serious injury or death.

Provide Electrical Connection

Install the junction box under the cabinet and run 120/240 or 120/208 Volt, AC wire from the main circuit panel. NOTE: DO NOT connect the wire to the circuit panel at this time. Wait until all wires have been connected in the junction box.

Electrical Requirements

Observe all governing codes and local ordinances.

1. A 3-wire or 4-wire single phase 120/240 or 120/208 Volt, 60 Hz AC only electrical supply is required on a

separate circuit fused on both sides of the line (time-delay fuse or circuit breaker is recommended). DO NOT fuse neutral. The fuse size must not exceed the circuit rating of the appliance specified on the nameplate.

NOTE: Wire sizes and connections must conform with the fuse size and rating of the appliance in accordance with the National Electrical Code ANSI/NFPA No. 70—latest edition, or with CSA standard C22.1, Canadian Electrical Code, Part 1, and local codes and ordinances.

⚠ WARNING An extension cord must not be used with this appliance. Such use may result in a fire, electrical shock, or other personal injury.

2. The appliance should be connected to the fused disconnect (or circuit breaker) box through flexible armored or nonmetallic sheathed cable. The flexible armored cable extending from this appliance should be connected directly to the grounded junction box. The junction box should be located as shown in Figure 2 with as much slack as possible remaining in the cable between the box and the appliance, so it can be moved if servicing is ever necessary.
3. A suitable strain relief must be provided to attach the flexible armored cable to the junction box.

Unpacking Instructions

1. Unpack and visually inspect the cooktop
2. Be sure the bottle of cleaner conditioner packed in the literature bag is left where the user can find it easily. It is important that the ceramic-glass smoothtop be pretreated before use see **Cooktop Cleaning and Maintenance** section in the **Use and Care Guide**.

Electrical Connection

Connect the flexible armored cable that extends from the surface unit to the junction box using a suitable strain relief at the point the armored cable enters the junction box. Then make the electrical connection as follows.

Electrical ground is required on this appliance.

This appliance is equipped with a copper conductor flexible cable. If connection is made to aluminum house wiring, use only special connectors which are approved for joining copper and aluminum wires in accordance with the National Electrical Code and local codes and ordinances.

This appliance is manufactured with a frame connected green (or bare copper) ground wire.

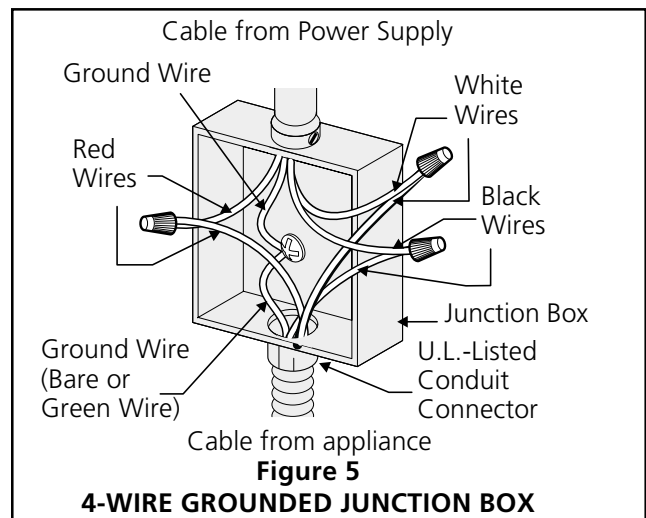
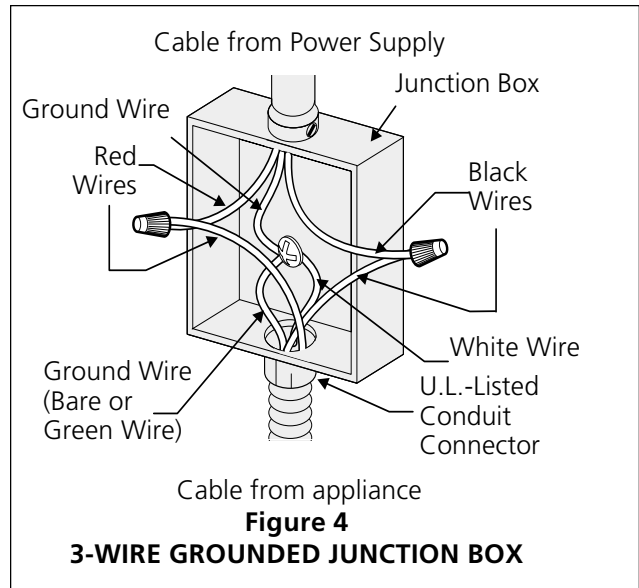
1. **If connecting to a 3-wire supply cable (U.S.A. only): if local codes permit connection of the frame grounding conductor to the neutral (white) wire.** (The 3-conductor cord or cable must be replaced with a 4-conductor cord or cable where grounding through the neutral conductor is prohibited in new installations, mobile homes, recreational vehicles or in other areas where local codes do not permit neutral grounding)

Connect the green (or bare copper) wire and the white wire from the appliance cable and the supply cable (green or bare) wire to the ground screw inside the junction box (see Figure 4). Connect the remaining wires inside the junction box from the power supply cable to the matching colors of the appliance cable wires.

⚠WARNING Improper connection of aluminum house wiring to copper leads can result in a short circuit or fire. Use only connectors designed for joining copper to aluminum, and follow the manufacturer's recommended procedure closely.

2. **If connecting to a 4-wire supply cable when installing in a mobile home, or where local codes DO NOT permit connecting the cabinet-grounding conductor to the neutral (white) junction box wire:** The white neutral wire from the power supply cable must not be connected to the junction box.

Connect the green (or bare copper) wire from the appliance cable and the supply cable (green or bare) wire to the ground screw inside the junction box (see Figure 5). Connect the remaining wires inside the junction box from the power supply cable to the matching colors of the appliance cable wires.



⚠WARNING DO NOT ground to a gas supply pipe. DO NOT connect to electrical power supply until appliance is permanently grounded. Connect the ground wire before turning on the power.

Cooktop Installation

1. Visually inspect the cooktop for damage.
2. If you are installing the optional Stainless Steel backsplash, first fix it at the back of the cooktop using the screws supplied in the Backsplash Kit.
Go to step 3, If you are not installing the Optional Stainless Steel backsplash.
3. Set the cooktop into the countertop cutout.

NOTE: Do not use caulking compound; cooktop should be removable for service when needed.

Checking Operation

Refer to the **Use and Care Guide** for operation.

CAUTION Do not touch cooktop glass or elements. They may be hot enough to burn.

Model and Serial Number Location

The serial plate is located under the cooktop or in the burner box and can be seen by lifting up the main top of unit.

When ordering parts for or making inquiries about your cooktop, always be sure to include the model and serial numbers and a lot number or letter from the serial plate on your cooktop.

Before You Call for Service

Read the Before You Call for Service Checklist and operating instructions in your **Use and Care Guide**. It may save you time and expense. The list includes common occurrences that are not the result of defective workmanship or materials in this appliance.

Refer to your **Use and Care Guide** for Sears service phone numbers. Please call if you have inquiries about your product and/or need to order parts.

IMPORTANT

Before calling for service, review this list. It may save you both time and expense. This list includes common experiences that are not the result of defective workmanship or material in your cooktop.

ENTIRE COOKTOP DOES NOT OPERATE

- House fuse has blown or circuit breaker has tripped. Check/reset breaker or replace fuse. If the problem is a circuit overload, have this situation corrected by a qualified electrician.
- Service wiring not complete. Contact installation agent or dealer.
- Power outage. Check house lights to be sure. Call local electric company.

SURFACE ELEMENT DOES NOT HEAT

- No power to appliance. Check/reset breaker or replace fuse. If the problem is a circuit overload, or improper connection of the armored cable supplied with the appliance, have this situation corrected by a qualified electrician.
- Too low heat setting. Turn control to a slightly higher setting until element comes on.
- Incorrect control is on. Be sure to use correct control for the element to be used.

SURFACE ELEMENT TOO HOT OR NOT HOT ENOUGH

- Incorrect control setting. Raise or lower setting until proper amount of heat is obtained. Dial markings are an indicator of relative heat settings and will vary slightly.
- Lightweight or warped pans being used. Use only flat, evenly balanced, medium or heavyweight cookware.
- Voltage is incorrect. Be sure appliance is properly connected to the specified power source.
- Use only flat bottom, evenly balanced, medium or heavyweight cookware. Pans having a flat bottom heat better than warped pans. Cookware material affects heating. Heavy and medium weight pans heat evenly. Because lightweight pans heat unevenly, foods may burn easily.

1.0 HOW TO REMOVE THE COOKTOP FROM THE COUNTERTOP

- 1. Disconnect power to the electric cooktop.
- 2. Remove the electric cooktop from the countertop by lifting it from the counter cutout.
- 3. Turn the cooktop upside down on the counter or another table. TAKE CARE to put something to protect the counter and the cooktop when turning it upside down. (Figure 1) Placing the electric cooktop in this position will help you work on it.

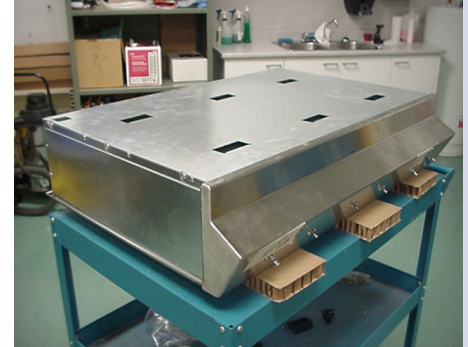


Figure 1

2.0 HOW TO REMOVE THE PANELS TO ACCESS THE ELEMENTS, THE PILOT LIGHTS AND THE CONTROL SWITCHES.

- 1. Disconnect power to the electric cooktop.
- 2. To remove the 2 heat shield panels, you must remove the 6 screws on each side. (Figure 2)

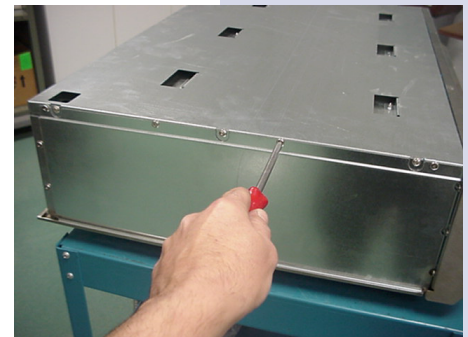


Figure 2

- 3. After completing step 2.2, remove the 3 screws on each sides on the control panel.

12 Section C - Replacement of parts

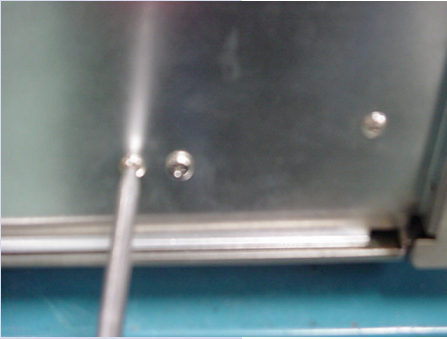


Figure 3

4. Remove the 2 screws on each side of the burner box. (Figure 3)



Figure 4

5. Remove the 2 screws that are on each bracket, at the rear of the cooktop (Figure 4)



Figure 5

6. Lift the back panel to remove it from the cooktop assembly. (Figure 5)
-

3.0 HOW TO REPLACE THE ELEMENTS

1. Disconnect power to the electric cooktop.
2. Remove electric cooktop from the counter. (section 1.0)
3. Remove the side panels and control panel to access the elements. (section 2)
4. The cooktop should look like Figure 6.

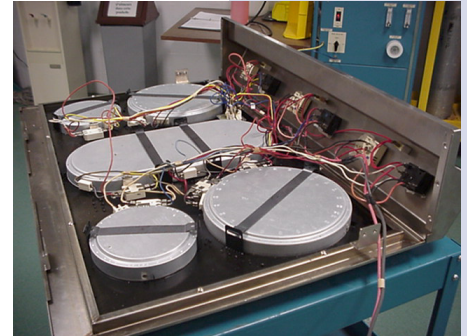


Figure 6

5. With a screwdriver, push on the clip that hold the element in place. (Figure 7)
6. Unplug all wires connected to the element and remove the element.
7. Repeat reverse operations to replace the element.



Figure 7

4.0 HOW TO REPLACE CONTROL SWITCHES

1. Disconnect power to the electric cooktop.
2. Remove electric cooktop from the counter. (section 1.0)
3. Remove the side panels and control panel to access the control switches. (section 2)
4. The cooktop should look like Figure 6.
5. Remove the knob from the shaft and remove the 2 screws from the switch. (Figure 8)
6. Repeat reverse operations to replace switches and knobs.

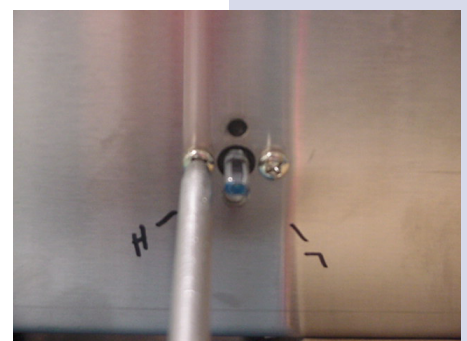


Figure 8

14 Section C - Replacement of parts

5.0 HOW TO REPLACE THE PILOT LIGHTS

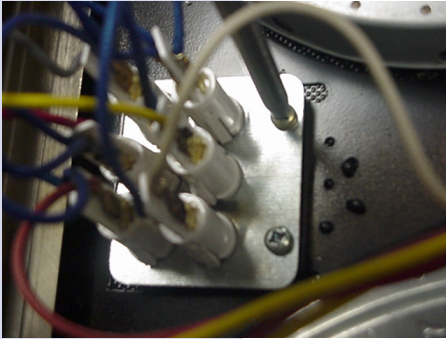


Figure 9

1. Disconnect power to the electric cooktop.
2. Remove electric cooktop from the counter. (section 1.0)
3. Remove the side panels and control panel to access the elements. (section 2)
4. The cooktop should look like Figure 6.
5. Remove the 2 screws fixing the bracket of the lights to the cooktop. (Figure 9)



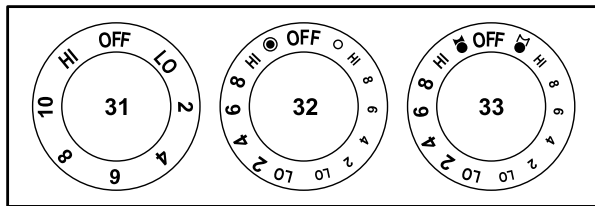
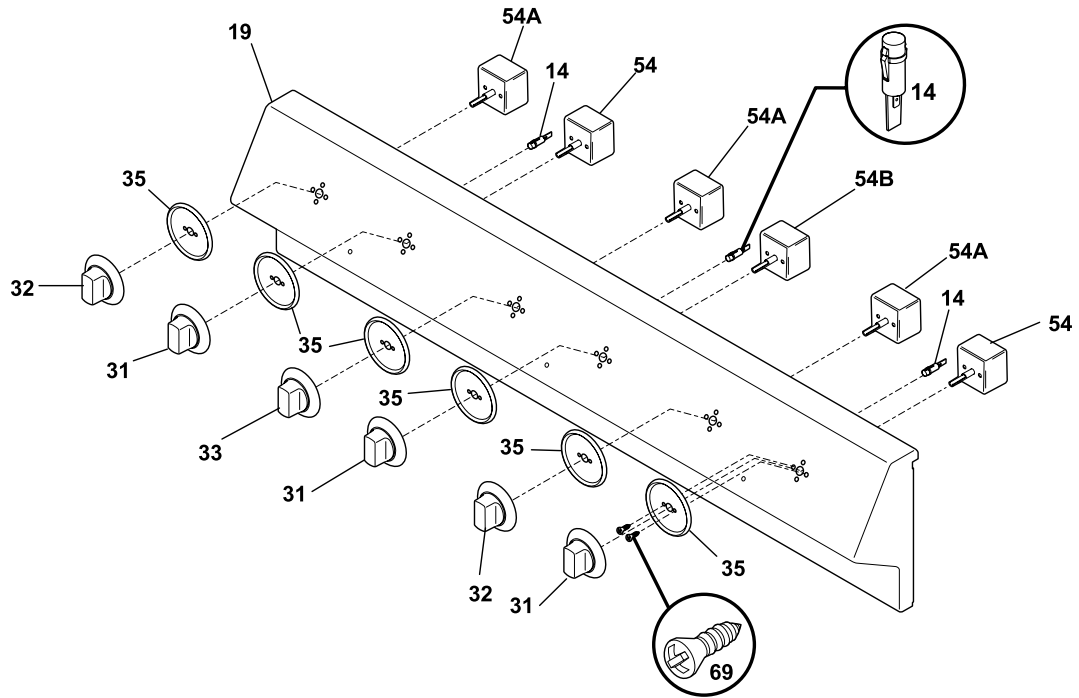
Figure 10

6. To remove the pilot light, pinch the small triangular pins on each side of the pilot light. Slightly pull off the pilot light from the bracket . (Figure 10)
7. Unplug the 2 wires connected to the pilot light.
7. Repeat reverse operations to replace pilot light.

**THIS IS A
BLANK
PAGE**

16 Section D - Exploded view drawings

CONTROL PANEL EXPLODED VIEW



CE36EC75DSS1

CONTROL PANEL PART DESCRIPTION

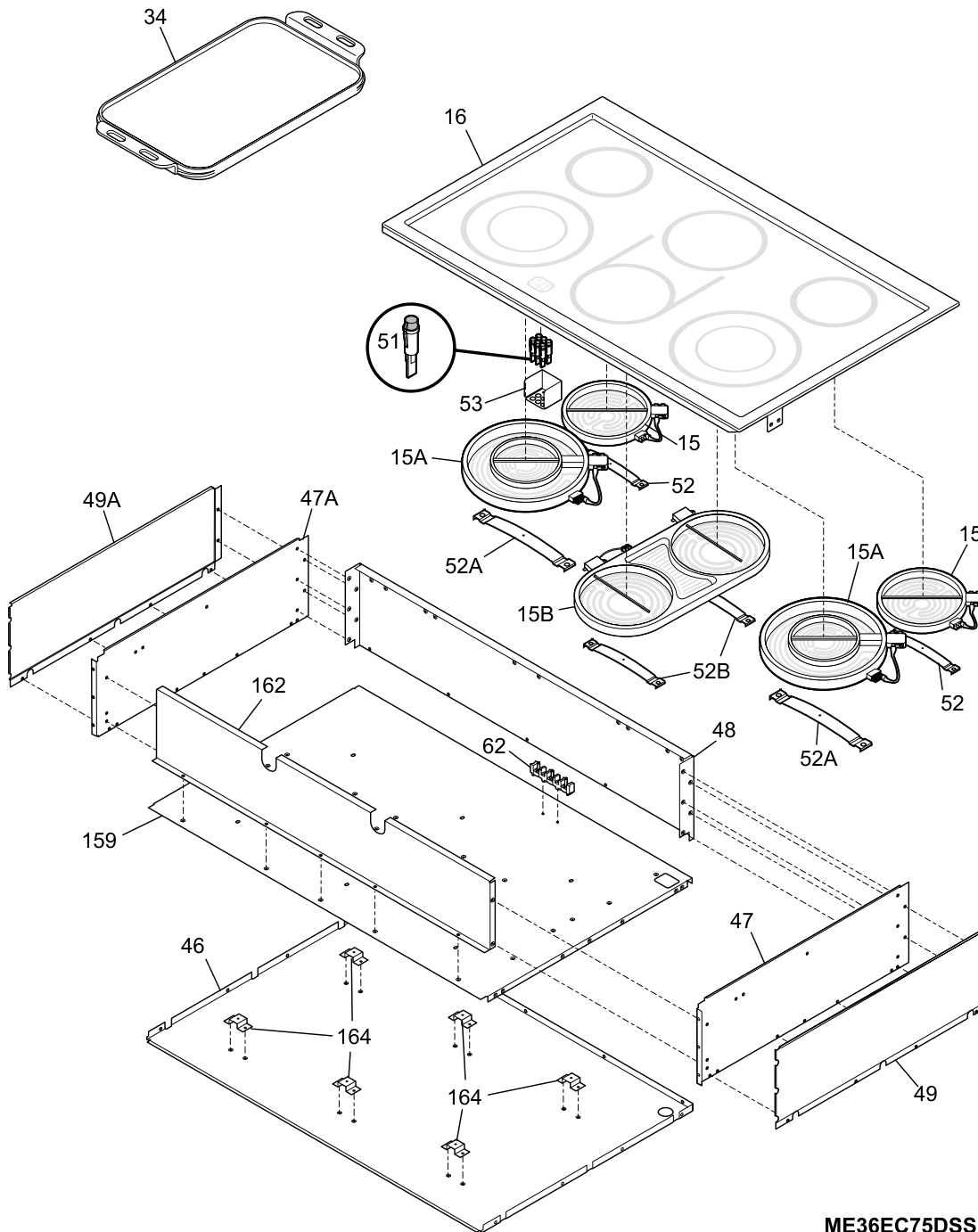


Position No	Part No	Description
14	318250400	Light, indicator, blue
19	318234901	Panel, control, stainless
31	318242203	Knob, control
32	318242202	Knob, control, dual
33	318242201	Knob, control, dual
35	318251900	Skirt (6)
54#	318220014	Switch, surface unit, small
54A#	318191024	Switch, surface unit, dual
54B#	318220046	Switch, surface unit
69	5303323134	Screw. switch mtg., 8-32 X 0.188

= Fast Moving Part
* = Non-Illustrated Part

18 Section D - Exploded view drawings

MAIN TOP EXPLODED VIEW



ME36EC75DSS1

MAIN TOP DESCRIPTION



Position No	Part No.	Description
15	318198810	Element, surface, 6", 1200W
15A	316224300	Element, dual, 6"/9", surface, 1000W/2500W
15B	318177910	Element, bridge
16	318185200	Main Top Assy, glass, black
34	318246100	Knob, control, dual
46	318242801	Griddle
47	318241700	Panel, side, RH
47A	318241701	Panel, side, LH
48	318241801	Panel, rear
49	318241900	Panel, interior side, RH
49A	318241901	Panel, interior side, LH
51	318044822	Light, indicator, clear
52	318122006	Spring, element mtg, small
52A	318122010	Spring, element mtg, 1000W/2500W
52B	318122008	Spring, element mtg
53	318125960	Bracket, pilot light
62	316056000	Terminal Block
62*	5303323144	Nut, 10-32
62*	5303323139	Screw, 10-24 x 0.906
159	318242901	Panel, bottom
162	318245500	Shield, heat
164	318252900	Support, Box, (6)
*	318078536	Box & wires assy
*	08016432	Screw, truss head, 8-18 x 0.375
*	5303323140	Screw, ground, 10-32 x 0.375

= Fast Moving Part
 * = Non-Illustrated Part

**THIS IS A
BLANK
PAGE**
