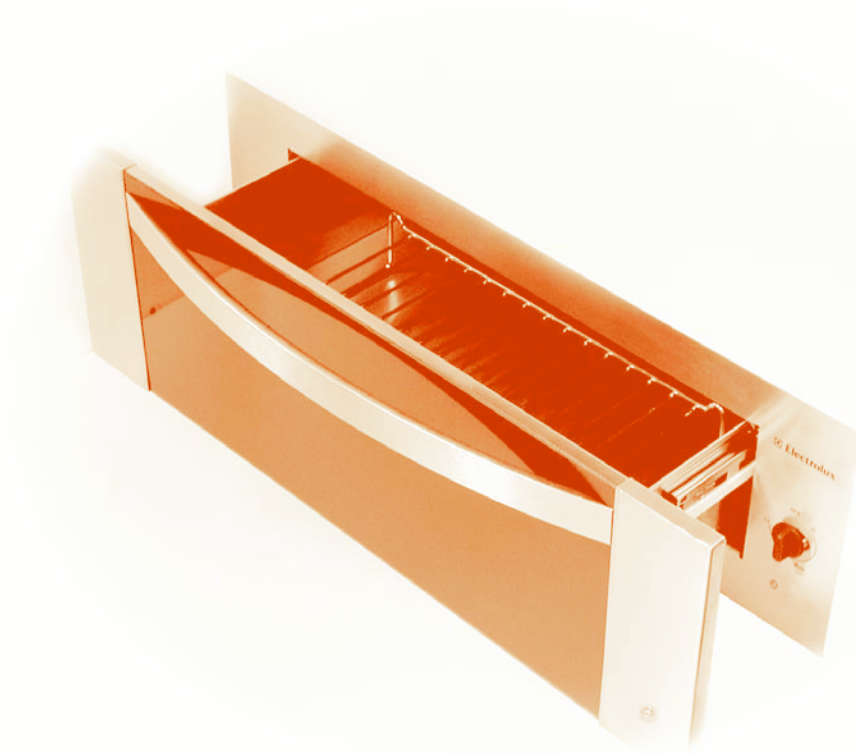




# Service Manual

## Warmer Drawer



 **Electrolux**

**THIS IS A  
BLANK  
PAGE**

# Table of Contents

<b>SAFE SERVICING PRACTICES .....</b>	<b>1</b>
<b>WIRING DIAGRAM.....</b>	<b>2</b>
<b>SECTION A - INSTALLATION INSTRUCTIONS .....</b>	<b>3</b>
FOR YOUR SAFETY .....	3
WARM & SERVE DRAWER DIMENSIONS .....	3
IMPORTANT NOTES TO THE INSTALLER .....	4
IMPORTANT NOTE TO THE CONSUMER.....	4
IMPORTANT SAFETY INSTRUCTIONS.....	4
TOOLS YOU WILL NEED .....	4
WARM & SERVE DRAWER INSTALLATION .....	5
<b>SECTION B - REPLACEMENT OF PARTS .....</b>	<b>6</b>
1.0 HOW TO REMOVE THE DRAWER FROM THE DRAWER CAVITY .....	6
2.0 HOW TO RE-INSTALL THE DRAWER .....	6
3.0 HOW TO REMOVE THE APPLIANCE FROM THE CABINET .....	6
4.0 HOW TO REMOVE PANELS TO HAVE ACCESS TO THE PARTS.....	7
5.0 HOW TO REPLACE THE ELECTRICAL CORD .....	8
6.0 HOW TO REPLACE THE WARMER DRAWER ELEMENT .....	8
7.0 HOW TO REPLACE THE THERMOSTAT .....	9
8.0 HOW TO REPLACE THE WARMER DRAWER CONTROL .....	9
9.0 HOW TO REPLACE THE SLIDING CHANNELS .....	10
<b>SECTION E - EXPLODED VIEW DRAWINGS.....</b>	<b>12</b>
BODY EXPLODED VIEW .....	12
BODY PARTS DESCRIPTION .....	13
DRAWER EXPLODED VIEW .....	14
DRAWER PARTS DESCRIPTION .....	15

**THIS IS A  
BLANK  
PAGE**

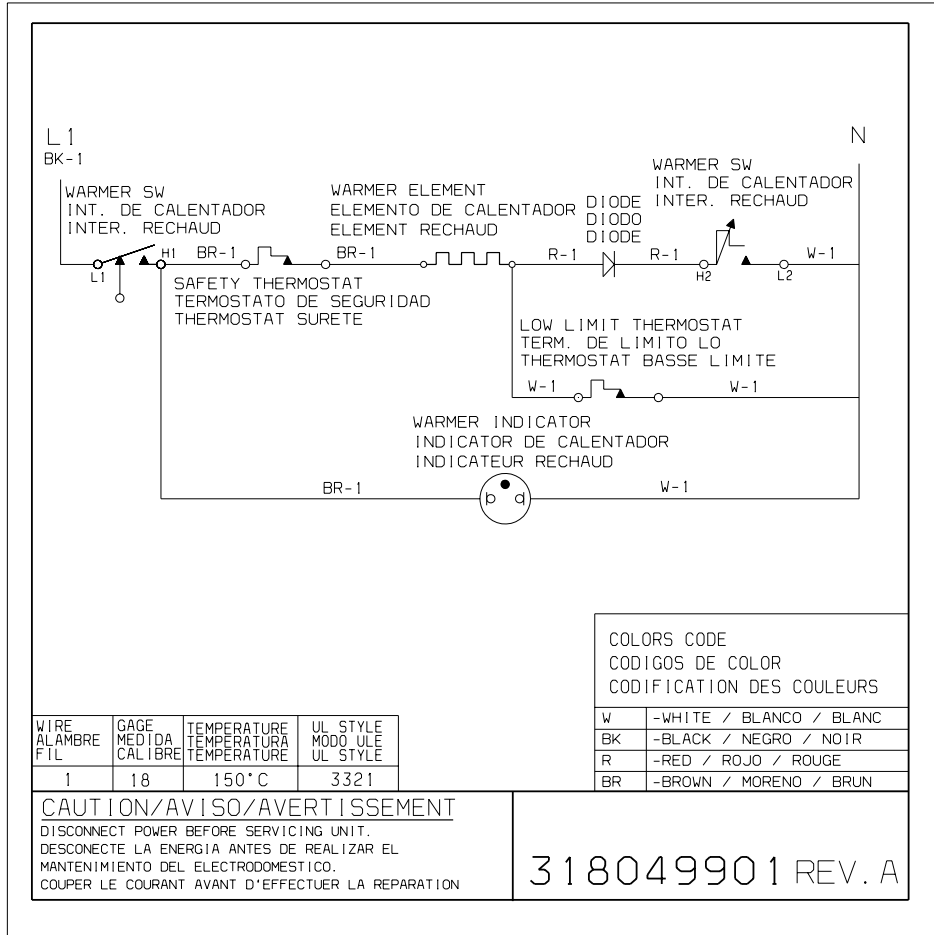
# SAFE SERVICING PRACTICES 1

To avoid personal injury and/or property damage, it is important that **Safe Servicing Practices** be observed. The following are some limited examples of safe practices:

1. **DO NOT** attempt a product repair if you doubt your ability to complete it in a safe and satisfactory manner.
2. Before servicing or moving an appliance:
  - Remove power cord from electrical outlet, trip circuit breaker to the **OFF** position, or remove fuse.
  - Turn off gas supply
  - Turn off water supply
3. Never interfere with the proper operation of any safety device.
4. **Use The Correct Replacement Parts Cataloged For This Appliance. Substitutions May Defeat Compliance With Safety Standards Set For Home Appliances.**
5. **GROUNDING:** The standard color code for safety ground wires is **GREEN**, or **GREEN** with **YELLOW STRIPES**. **DO NOT** use ground leads as current carrying conductors. It is **EXTREMELY** important that the service technician reestablish all safety grounds prior to completion of service. Failure to do so will create a hazard.
6. Prior to returning the product to service, ensure that:
  - All electrical connections are correct and secure.
  - All electrical leads are properly dressed and secured away from sharp edges, high-temperature components, and moving parts
  - All non-insulated electrical terminals, connectors, heaters, etc. are adequately spaced away from all metal parts and panels
  - All safety grounds (both internal and external) are correctly and securely connected
  - All panels are properly and securely reassembled

## **WARNING**

This service manual is intended for use by persons having electrical and mechanical training and a level of knowledge of these subjects generally considered acceptable in the appliance repair trade. Electrolux Home Products cannot be responsible, nor assume any liability, for injury or damage of any kind arising from the use of this manual.



# Section A - Installation Instructions 3

**INSTALLATION AND SERVICE MUST BE PERFORMED BY A QUALIFIED INSTALLER.  
IMPORTANT: SAVE FOR LOCAL ELECTRICAL INSPECTOR'S USE.  
READ AND SAVE THESE INSTRUCTIONS FOR FUTURE REFERENCE.**

**⚠ WARNING FOR YOUR SAFETY:** Do not store or use gasoline or other flammable vapors and liquids in the vicinity of this or any other appliance.

### GENERAL INFORMATION

The Warm & Serve Drawer can be used:

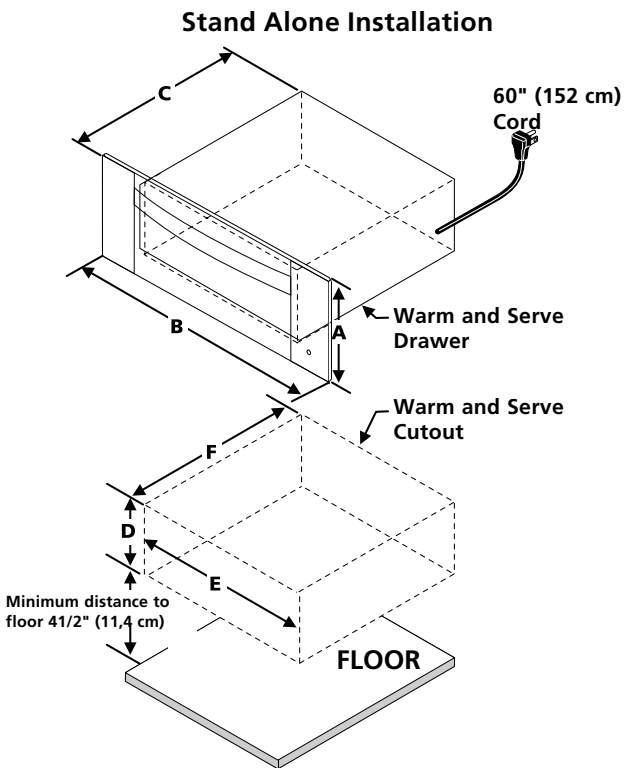
- As a stand alone appliance
- As a combination Warm & Serve Drawer with a 30" (76 cm) built-in oven mounted above

**IMPORTANT:** The warmer drawer must be installed on a leveled surface from left to right, rear to front and the surface must be capable of supporting 100 lbs (45 Kg).

### Warm & Serve Drawer Dimensions

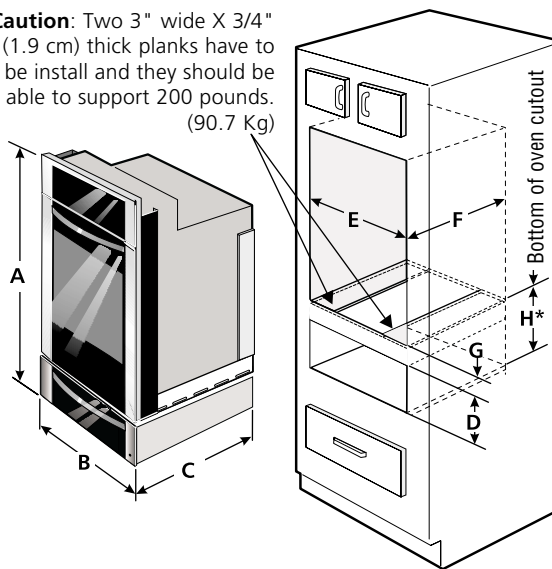
**NOTE:** A 60" (152 cm) long cable is supplied with the Warm & Serve Drawer.

**IMPORTANT:** The Warm & Serve Drawer runs off a single phase three-wire 120 volt, 60 hertz, AC only electrical supply with ground.



### Combination Warm & Serve Drawer/ 30" (76 cm) Built-in Oven Installation

**Caution:** Two 3" wide X 3/4" (1.9 cm) thick planks have to be install and they should be able to support 200 pounds. (90.7 Kg)



**H\* = 10 1/8" (25.7 cm) Min. is a Critical dimension and has to be respected.**

A. HEIGHT	B. WIDTH	C. DEPTH
9 7/8" (25 cm)	30" (76,2 cm)	24 5/8" (62,5 cm)

A. HEIGHT	B. WIDTH	C. DEPTH
40" (101,5 cm)	30" (76,2 cm)	24 5/8" (62,5 cm)

	D. CUTOUT HEIGHT	E. CUTOUT WIDTH	F. CUTOUT DEPTH
Min.	8 3/8" (21,3 cm)	28 1/2" (72,4 cm)	24" (61 cm)
Max.	8 5/8" (21,9 cm)	28 3/4" (73 cm)	

	D. CUTOUT HEIGHT	E. CUTOUT WIDTH	F. CUTOUT DEPTH	G. HEIGHT
Min.	8 3/8" (21,3 cm)	28 1/2" (72,4 cm)	24" (61 cm)	1 1/2" (3,8 cm)
Max.	8 5/8" (21,9 cm)	28 3/4" (73 cm)		Depends on critical dimension H

# 4 Section A - Installation Instructions

## Important Notes to the Installer

1. Read all instructions contained in these installation instructions before installing appliance.
2. Remove all packing material from appliance before connecting the electrical supply.
3. Observe all governing codes and ordinances.
4. Be sure to leave these instructions with the consumer.

## Important Note to the Consumer

Keep these instructions for future reference.

# IMPORTANT SAFETY INSTRUCTIONS

- Be sure your appliance is installed and plugged into a 120 Volt grounded outlet.
- This appliance must be electrically grounded in accordance with the National Electrical Code ANSI/NFPA No. 70—latest edition in the United States, or CSA C22.1, Part 1 in Canada, and local code requirements.

## Tools You Will Need

Phillips® Screwdriver  
Pencil  
Ruler or Tape Measure and Straight-edge  
Hand Saw or Saber Saw  
Spirit Level

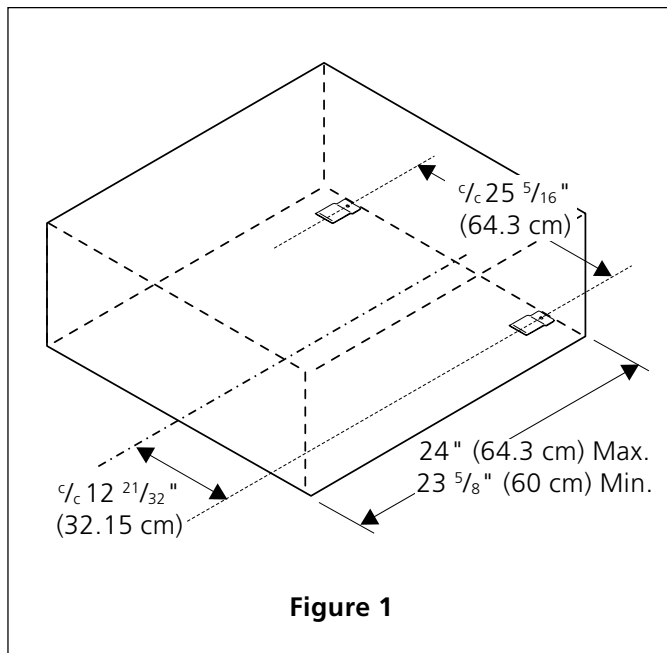
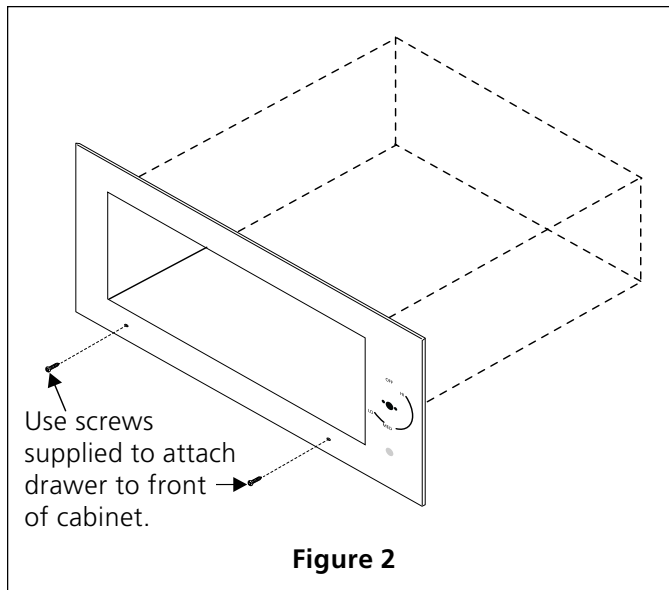


Figure 1



## Warm & Serve Drawer Installation

1. Locate the 2 anti-tip brackets supplied as shown on figure 1.
2. Slide drawer into cutout opening until front frame of drawer is flush against cabinet. Be careful not to pinch electrical cord.
3. Remove the drawer as instructed in the Use & Care Guide and secure drawer housing to cabinet using the 2 nickel-plated screws supplied (see Figure 2).  
**Do not overtighten screws.**
4. The 60" (152 cm) appliance power cord can now be connected into the 120 Volt outlet.
5. Proceed with mounting built-in oven above the drawer (if applicable). Follow installation instructions provided with built-in oven. Make sure to use anti-tip brackets supplied with the built-in oven.



# 6 Section B - Replacement of parts

## 1.0 HOW TO REMOVE THE DRAWER FROM THE DRAWER CAVITY



1. Disconnect Warmer Drawer from electrical supply.
2. Make sure the drawer is COOL. Open the drawer to the fully opened position
3. Locate the latches on both sides of the warmer drawer. Push at the same time on both latches while pulling the drawer out. (Figure 1)

Figure 1

## 2.0 HOW TO REINSTALL THE DRAWER

1. Align the glide latches on both sides of the drawer with slots on the drawer.
2. Push the drawer back in until you heard two clicks which will indicate that the drawer is well installed.

## 3.0 HOW TO REMOVE THE APPLIANCE FROM THE CABINET

1. Disconnect Warmer Drawer from electrical supply.
2. Remove the drawer from the drawer cavity. (Section 1.0)
3. Remove the 2 screws securing the warmer drawer to the cabinet.
4. Pull out the appliance from the cabinet.

# Section B - Replacement of parts 7

## 4.0 HOW TO REMOVE PANELS TO HAVE ACCESS TO THE PARTS

- 1. Disconnect Warmer Drawer from electrical supply.
- 2. Remove the drawer from the drawer cavity. (Section 1.0)
- 3. Remove the appliance from the cabinet. (Section 3.0)
- 4. Remove the 2 screws on both sides. (Figure 2)



Figure 2

- 5. Remove the 2 screws located at rear of the appliance. (Figure 3)



Figure 3

- 6. Remove the 3 screws located at front of the appliance. (Figure 4)



Figure 4



Cavity Interior view

# 8 Section B - Replacement of parts

## 5.0 HOW TO REPLACE THE ELECTRICAL CORD

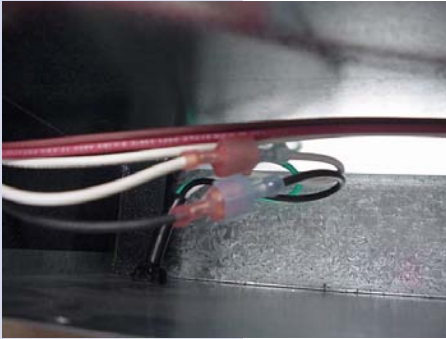


Figure 5

1. Disconnect Warmer Drawer from electrical supply.
2. Remove the drawer from the drawer cavity. (Section 1.0)
3. Remove the appliance from the cabinet. (Section 3.0)
4. The electrical cord is located at rear of the appliance proceed from steps 4 to 6 under section 3.0 to have access to the electrical cord.
2. Disconnect the electrical cord. (Figure 5)
3. Replace the electrical cord and reassemble in reverse order.

## 6.0 HOW TO REPLACE THE WARMER DRAWER ELEMENT

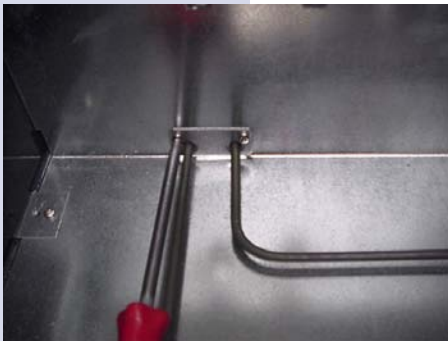


Figure 6

1. Disconnect Warmer Drawer from electrical supply.
2. Remove the drawer from the drawer cavity. (Section 1.0)
3. Remove the appliance from the cabinet. (Section 3.0)
4. Proceed from steps 4 to 6 under section 3.0 to have access to the element.
5. Remove the 2 screws at the rear. (Figure 6)



Figure 7

6. Remove the 2 screws at the front of the element. (Figure 7)
7. Disconnect the 2 wires.
8. Replace the element and reassemble in reverse order.

# Section B - Replacement of parts 9

## 7.0 HOW TO REPLACE THE THERMOSTAT

1. Disconnect Warmer Drawer from electrical supply.
2. Remove the drawer from the drawer cavity. (Section 1.0)
3. Remove the appliance from the cabinet. (Section 3.0)
4. Proceed from steps 4 to 6 under section 3.0 to have access to the thermostat.
5. There is 2 different thermostats.
6. Remove the 2 screws first. (Figure 8)



Figure 8

7. Disconnect the 2 wires. (Figure 9)
8. Replace the defective thermostat and reassemble in reverse order.



Figure 9

## 8.0 HOW TO REPLACE THE WARMER DRAWER CONTROL

1. Disconnect Warmer Drawer from electrical supply.
2. Remove the drawer from the drawer cavity. (Section 1.0)
3. Remove the appliance from the cabinet. (Section 3.0)
4. Remove the screw on the right side of the appliance to have access to the drawer control. (Figure 10)



Figure 10

# 10 Section B - Replacement of parts

## 8.0 HOW TO REPLACE THE WARMER DRAWER CONTROL (CONTINUED)



Figure 11

5. Remove the 2 screws. (Figure 11)
6. Replace the drawer control by the side access and reassemble in reverse order.

## 9.0 HOW TO REPLACE THE SLIDING CHANNELS



Figure 12

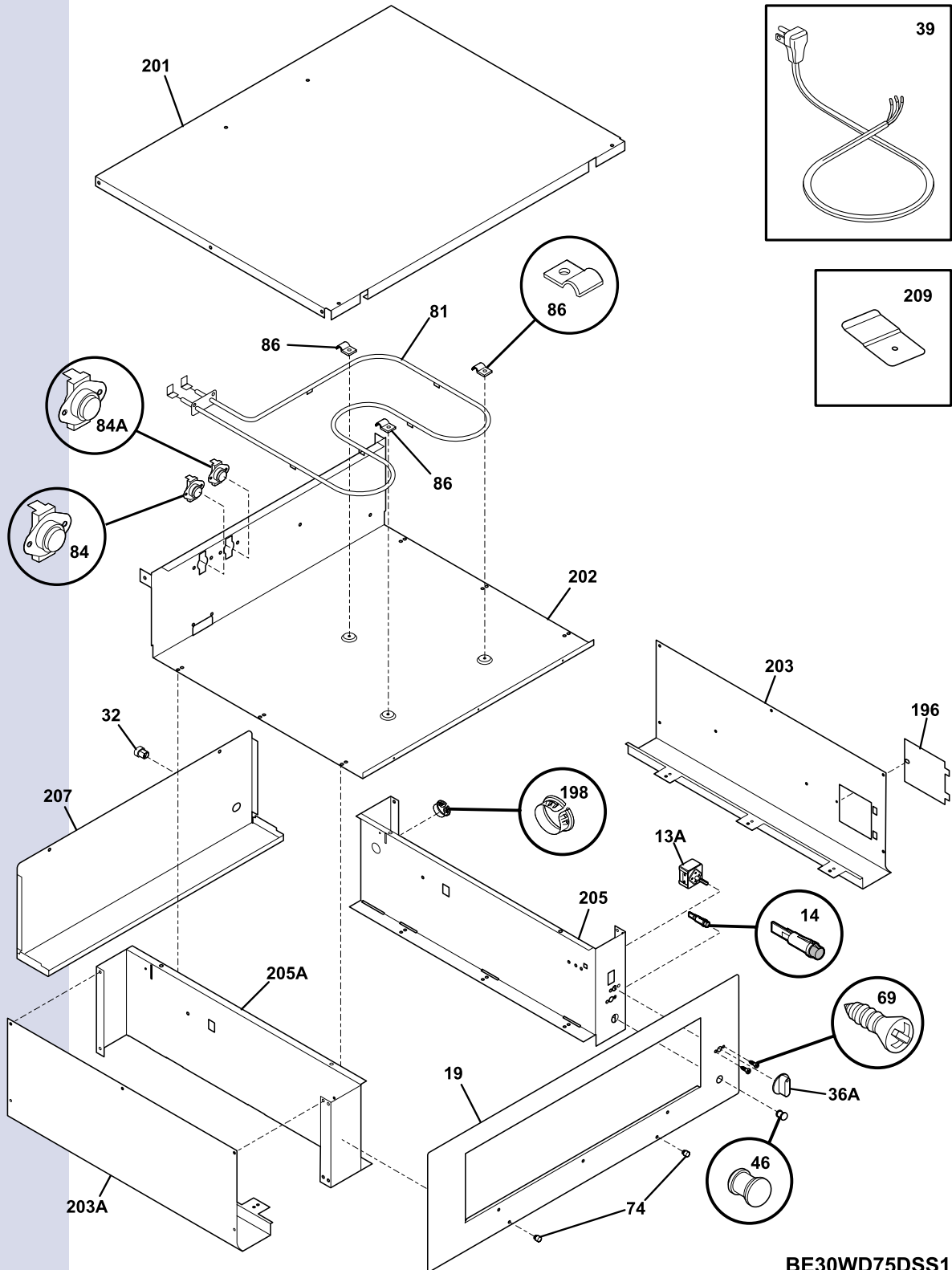
1. Disconnect Warmer Drawer from electrical supply.
2. Remove the drawer from the drawer cavity. (Section 1.0)
3. Remove screws holding the sliding channel you have to replace. (Figure 12)
4. Replace the sliding channel and reassemble in reverse order.

**THIS IS A  
BLANK  
PAGE**

---

# 12 Section C - Exploded view drawings

## BODY EXPLODED VIEW



BE30WD75DSS1



## BODY PARTS DESCRIPTION

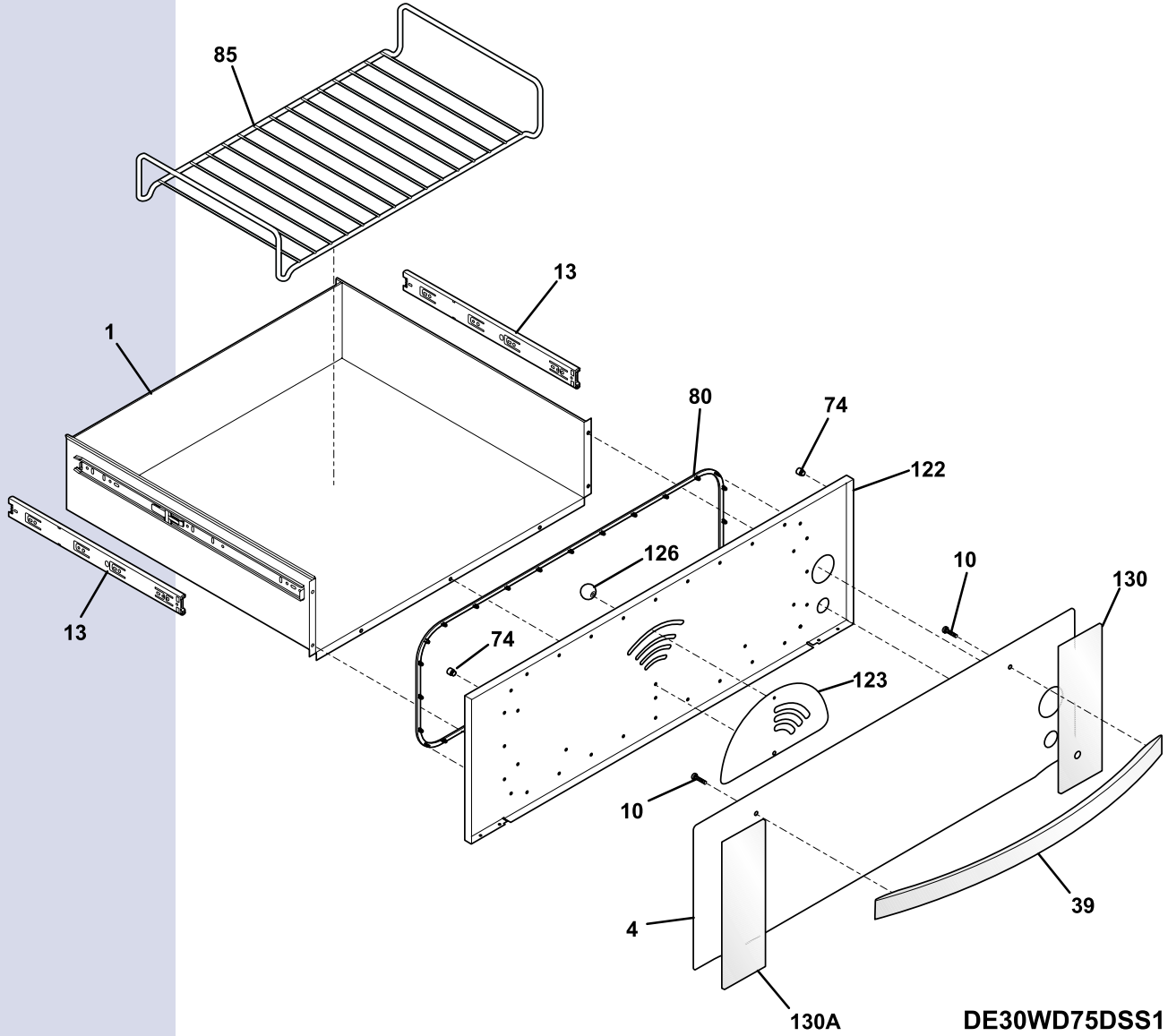
Position No	Part No	Description
13A#	316095500	Switch, Infinite, Warmer
14#	318250400	Light, Indicator, Blue
19	318246900	Panel, Control, Stainless
32	318228100	Strain Relief
36A	318017600	Knob, Warmer
39	318144001	Cord, Service
46	318250500	Lens, Indicator Light
69	5303323134	Screw, Switch Mtg., 8-32 X 0.188
74	318141920	Bumper, Base
81	318251000	Element, Warmer Drawer
84#	318005106	Thermostat, Safety
84A#	318005104	Thermostat, Safety
86	316095800	Clip, Hold Down, Warmer Drawer
196	318100101	Cover, Access
198	08008009	Bushing, Side Panel, Nylon, RH, Snap
201	318145104	Wrapper, Outer
202	318121601	Wrapper, Lower
203	318025711	Bracket, Side Panel, RH
203A	318025701	Bracket, Side Panel, LH
205	318123711	Panel, Side, RH
205A	318123701	Panel, Side, LH
207	318143601	Panel, Wire Cover
209	318247400	Bracket, Wall
209*	5303302745	Screw, 10-16 X 1-1/8, Square Drive
*	318199730	Wiring Harness
*	08067961	Fastener, Clip Cable
*	5303211311	Screw, 8 X 0.500
*	5303300265	Screw, 8-18 X 0.500, Chrome
*	5303311333	Screw, 8-32 X 3/8, (6)
*	5303323140	Screw, Ground, 10-32 X 0.375

# = Fast Moving Part

\* = Non-Illustrated Part

# 14 Section C - Exploded view drawings

## DRAWER EXPLODED VIEW



## DRAWER PARTS DESCRIPTION



Position No	Part No	Description
1	318246400	Drawer, Warmer w/Track
4	318247000	Glass, Drawer Panel, Black
10	5303325168	Screw, 10-32 X 5/8, Handle Mtg
13	318248400	Channel, Drawer Slide, Outer
39	318238900	Handle, Oven Door, Stainless
74	318141920	Bumper, Base
80	318247300	Gasket, Warmer Drawer
85	316093600	Rack, Warmer Drawer
122	318247200	Panel, Drawer, Interior
123	318247100	Panel, Control, Humidity
126	318251100	Handle, Control, Humidity
126*	5304436029	Screw, Handle Mtg
130	318246800	Panel, Drawer Front, Stainless, RH Side
130A	318246801	Panel, Drawer Front, Stainless, LH Side
*	218490900	Cleaner, Stainless Steel
*	5303323175	Adhesive Tape, 1" Long
*	08016432	Screw, Truss Head, 8-18 X 0.375
*	5303311333	Screw, 8-32 X 3/8, (6)

# = Fast Moving Part  
 \* = Non-Illustrated Part

**THIS IS A  
BLANK  
PAGE**