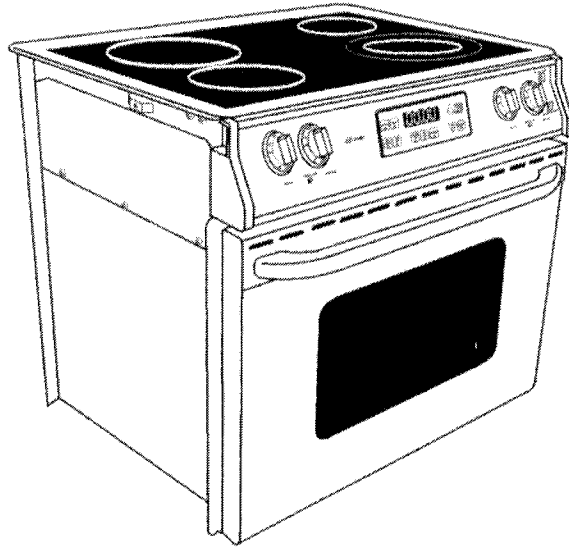




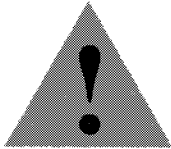
TECHNICAL SERVICE GUIDE

2000 PROFILE SERIES - DROP-IN
ELECTRIC RANGES



MODEL SERIES:
JDP40





IMPORTANT SAFETY NOTICE

The information in this service guide is intended for use by individuals possessing adequate backgrounds of electrical, electronic and mechanical experience. Any attempt to repair a major appliance may result in personal injury and property damage. The manufacturer or seller cannot be responsible for interpretation of this information, nor can it assume any liability in connection with its use.

CAUTION

To avoid personal injury while servicing this unit, disconnect power before servicing. If grounding wires, screws, straps, clips, nuts or washers used to complete a path to ground are removed for service, they must be returned to their original position and properly fastened.

GE Consumer Service Training

Technician Service Guide

Copyright © 2000

All rights reserved. This service guide may not be reproduced in whole or in part in any form without written permission from the General Electric Company.

Table of Contents

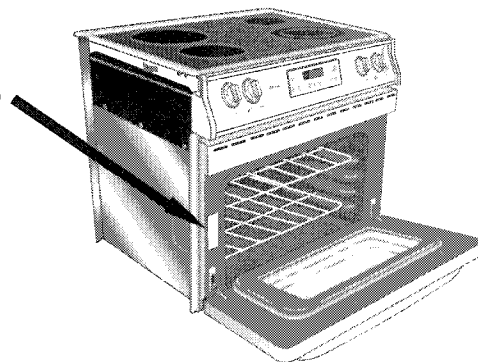
Model and Serial Number Designations	1
Installation Instructions	2
Cooktop Configuration	9
Burner Controls Configuration	9
Electronic Control Configuration	9
Use and Care Information	10
Oven Door Removal	14
Oven Light and Receptacle Removal	14
Oven Temperature Probe Removal	15
Bake Element Removal	15
Broil Element Removal	15
Removing the Infinite Heat Controls	16
Removing the Electronic Oven Control	16
Surface On Indicator Light Removal	17
Coil Size and Oven Light Sw. Removal	17
Door Switch Removal	17
Thermal Circuit Breaker Removal	17
Hot Surface Indicator Light Removal	18
Removing the Cooktop	18
Removing a Surface Burner Element	18
Replacing a Surface Burner Element	19

Removing the Cooling Fan Assembly	19
Removing the Door Latch Motor	20
Electronic Oven Control Fault Codes	21
Wiring Diagram	22
Wiring Schematic	23
Strip Circuits	24
Exploded Parts Views	26

MODEL/SERIAL NUMBER PLATE LOCATOR

The Model/Serial Number Plate is located on the bottom left of the oven cavity front frame behind the oven door.

*Model/Serial
Number Plate*



MODEL NUMBER DESIGNATOR

MODEL NUMBER	J	D	P	40	W	B1
PRODUCT						
J = GE Range						
CONFIGURATION						
D = 30" Drop-In						
FEATURE						
Pyrolytic Self-Clean						
STYLE FEATURE						
COLOR						
W = White B = Black C = Bisque						
ENGINEERING CHANGES						

SERIAL NUMBER DESIGNATOR

SERIAL NUMBER	L	V	294986J
MONTH OF MANUFACTURE			
YEAR OF MANUFACTURE			
V = 1999			
PRODUCT SEQUENCE NUMBER			

Installation Instructions.

Read these instructions completely and carefully.



Before You Begin

IMPORTANT: Save these instructions for the local electrical inspector's use.

IMPORTANT: OBSERVE ALL GOVERNING CODES AND ORDINANCES.

NOTE TO INSTALLER: Leave these instructions with the appliance after installation is completed.

NOTE TO CONSUMER: Keep this Owner's Manual and Installation Instructions for future use.

NOTE: This appliance must be properly grounded.

Remove all tape, packing materials and literature from the range before connecting electrically.



Tools You Will Need

- Phillips screwdriver
- 1/4" hex head nutdriver



Electrical Requirements

CAUTION, FOR PERSONAL SAFETY: DO NOT USE AN EXTENSION CORD WITH THIS APPLIANCE. REMOVE HOUSE FUSE OR OPEN CIRCUIT BREAKER BEFORE BEGINNING INSTALLATION.

This appliance must be supplied with the proper voltage and frequency, and connected to an individual, properly grounded branch circuit, protected by a circuit breaker or time delay fuse, as noted on the rating plate.

Be sure your range is installed and grounded properly by a qualified installer or service technician.

This range must be electrically grounded in accordance with local codes or, in their absence, with the National electrical code ANSI/NFPA No. 70—latest edition.

Make sure the wall coverings around the range can withstand the heat generated by the range.

Wiring must conform to National Electrical codes.

If the electrical service provided does not meet the above specifications, have a licensed electrician install an approved outlet.

Because range terminals are not accessible after range is in position, flexible service conduit must be used.

If local codes permit, you can use a 3-wire, single phase 120/208 or 120/240 Volt, 60 Hz, AC only electrical system. If you connect to aluminum wiring, properly installed connectors approved for use with aluminum wiring must be used.

NOTE: Wire sizes and connections must conform with the fuse size and rating of appliance in accordance with the National Electrical Code ANSI/NFPA No. 70—latest edition, and local codes and ordinance.

WARNING:

ELECTRICAL SHOCK HAZARD

- ELECTRICAL GROUND IS REQUIRED ON THE APPLIANCE.
- DO NOT CONNECT TO AN ELECTRICAL SUPPLY UNTIL APPLIANCE IS PERMANENTLY GROUNDED.
- DISCONNECT POWER TO THE JUNCTION BOX BEFORE MAKING THE ELECTRICAL CONNECTIONS.
- THIS APPLIANCE MUST BE CONNECTED TO A GROUNDED, METALLIC, PERMANENT WIRING SYSTEM, OR A GROUNDING CONNECTOR SHOULD BE CONNECTED TO THE GROUNDING TERMINALS OR WIRE LEAD ON THE APPLIANCE.
- DO NOT USE A GAS SUPPLY LINE FOR GROUNDING THE APPLIANCE.

FAILURE TO DO ANY OF THE ABOVE COULD RESULT IN A FIRE, PERSONAL INJURY OR ELECTRICAL SHOCK.

Safety Instructions

Operating Instructions

Care and Cleaning

Installation Instructions

Troubleshooting Tips

Customer Service

Installation Instructions.

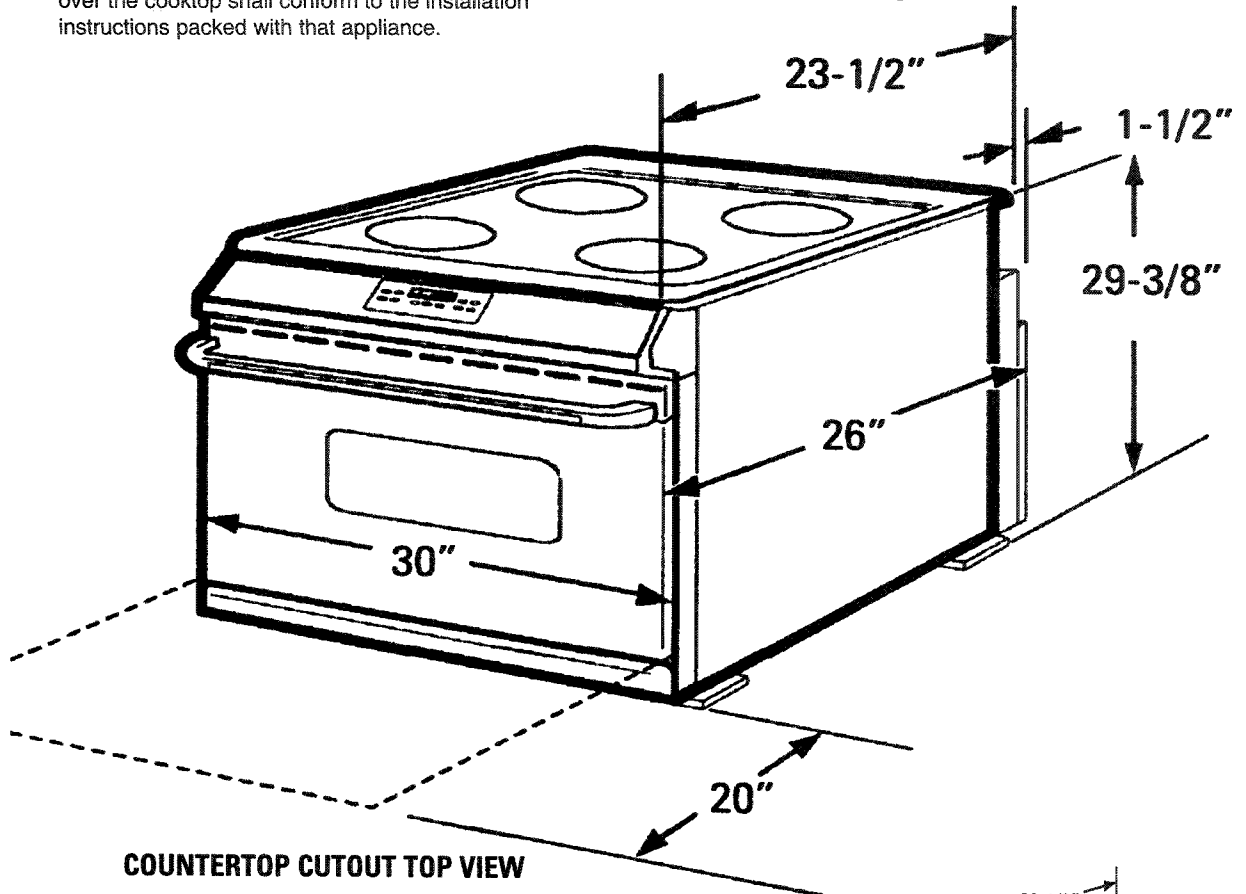
Read these instructions completely and carefully.

1 Preparing the Opening

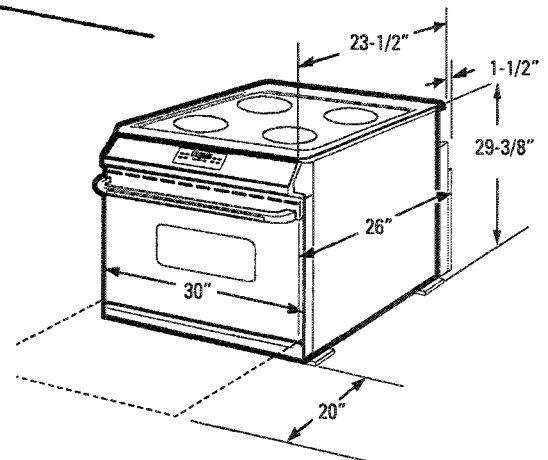
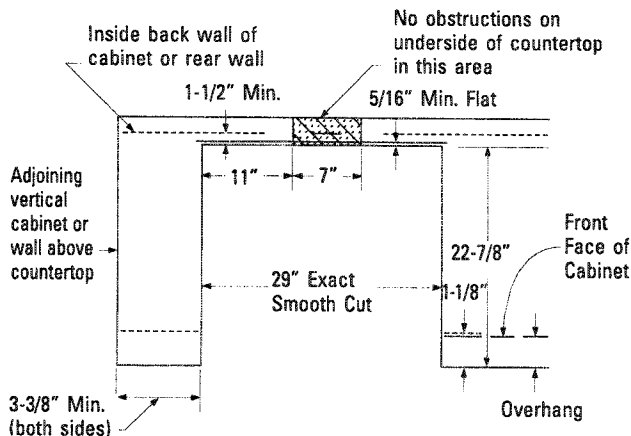
NOTES:

- Installation of a listed microwave oven or cooking appliance over the cooktop shall conform to the installation instructions packed with that appliance.

- To eliminate the hazard of reaching over heated surface units, cabinet storage space located above the surface units should be avoided. If cabinet storage is to be provided, the hazard can be reduced by installing a range hood that projects horizontally a minimum of 5" beyond the bottom front edge of the cabinet.



COUNTERTOP CUTOUT TOP VIEW



****NOTE:** 24" minimum clearance between the cooktop and the bottom of the cabinet when the bottom of wood or metal cabinet is protected less than 1/4" flame retardant millboard covered with not less than No. 28 MSG sheet metal, 0.015" stainless steel, 0.024" aluminum or 0.020" copper.

30" minimum clearance when the cabinet is unprotected.

When replacing an existing GE family drop-in range, the new range and existing cutout may be installed with the supplied end cap filler blocks and the lower filler trim panel.

Do not pinch the power supply cord between range and the wall.

Do not seal the range to the side cabinets.

Installation Instructions.

Read these instructions completely and carefully.

2 Prepare for Electrical Connection

This appliance is manufactured with a neutral (white) power supply wire and a cabinet-connected green (or bare copper) grounding wire.

Connect the appliance cable to the junction box through the U.L.-listed conduit connector. Complete electrical connection according to codes and ordinances. (For preferred junction box location see step 1.)

NOTE: do not use a power cord kit for connection to electrical supply.

⚠ WARNING:

IMPROPER CONNECTION OF ALUMINUM HOUSE WIRING TO COPPER LEADS CAN RESULT IN A SHORT CIRCUIT OR FIRE. USE ONLY CONNECTORS DESIGNED FOR JOINING COPPER TO ALUMINUM, AND FOLLOW THE MANUFACTURER'S RECOMMENDED PROCEDURE CLOSELY.

NOTE TO ELECTRICIAN: the armored cable leads supplied with this appliance are U.L.-recognized for connection to large gauge household wiring. The insulation of the leads is rated at temperatures much higher than temperature rating of household wiring. The current carrying capacity of the conductor is governed by the temperature rating of the insulation around the wire, rather than the wire gauge alone.

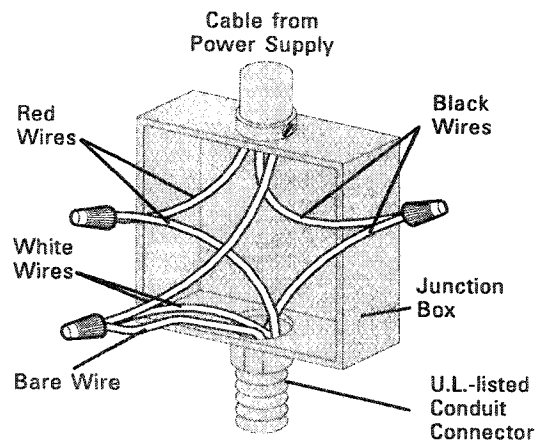
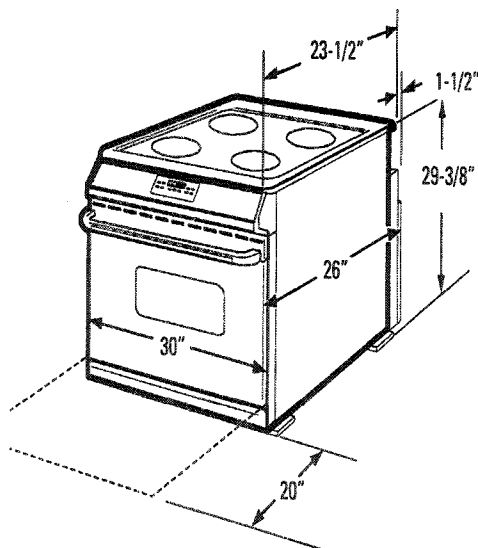
3 Electrical Connection

Where local codes permit, connecting the cabinet-grounding conductor to the neutral (white) junction box wire (see illustration below):

- Disconnect the power supply.
- Connect together the 3 wires: bare copper and white appliance cable wires and the neutral (white) wire in the junction box.
- Connect the two (2) black wires together, then the two (2) red wires together.

When connecting to a 4-wire electrical system, when installing in a mobile home, or when local codes **DO NOT** permit connecting the cabinet-grounding conductor to the neutral (white) junction box wire (see illustration below):

- Disconnect the power supply.
- Separate the bare copper and white wires.
- Connect the white appliance cable wire to the neutral (white) wire in the junction box.
- Connect the two (2) black wires together, then the two (2) red wires together.
- Connect the grounding wire (bare copper) to the grounding wire in the junction box.



GROUNDING NEUTRAL

Safety Instructions

Operating Instructions

Care and Cleaning

Installation Instructions

Troubleshooting Tips

Customer Service

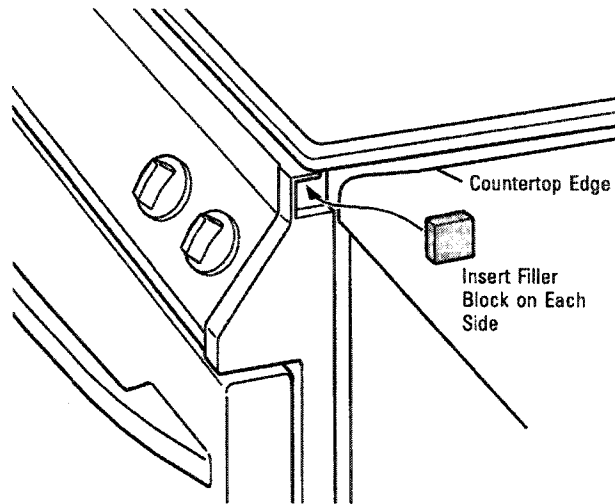
Installation Instructions.

Read these instructions completely and carefully.

4 Install the End Cap Filler Blocks (optional)

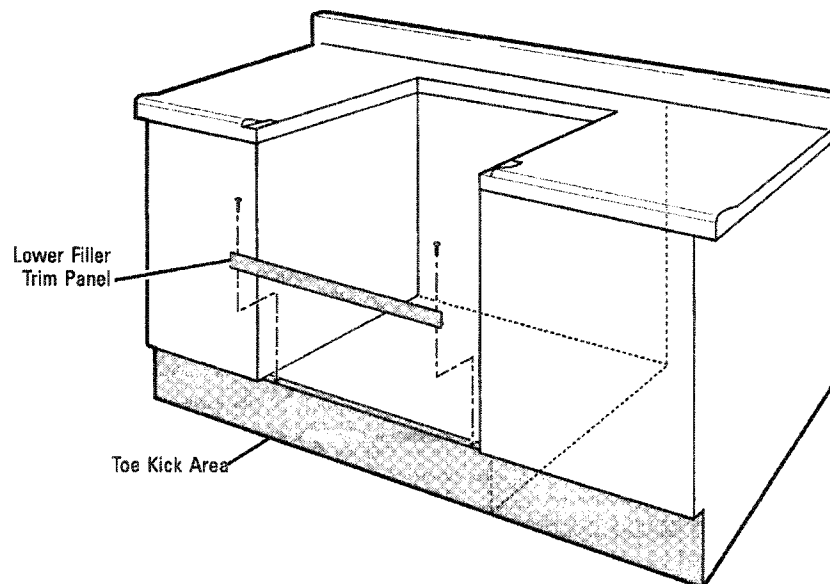
On existing installations that use a GE family drop-in range cutout, there may be a gap on each side of the range once it is installed. To make sure the gaps are filled, install the filler blocks.

Remove the adhesive backing from the filler blocks and press them into place on both sides, with the open side toward the range.



5 Install the Lower Filler Trim Panel (optional)

On existing installations that use a GE family drop-in range cutout, there may be a gap between the range bottom after it is installed and the lower toe kick area.



To make sure this gap is filled, attach the lower filler trim panel to the top of the tow kick panel by using the two (2) screws provided.

Installation Instructions.

Read these instructions completely and carefully.

6 Install the Range

⚠ WARNING:

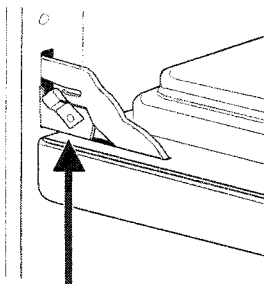
THE ELECTRICAL POWER TO THE RANGE MUST BE SHUT OFF WHILE LINE CONNECTIONS ARE BEING MADE. FAILURE TO DO SO COULD RESULT IN SERIOUS INJURY OR DEATH.

This range is designed to hang from the countertop. It does not rest on the floor.

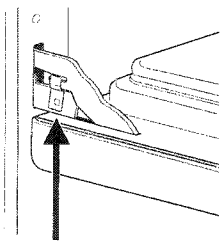
- a Install base cabinets 29" apart and be sure they are plumb and level before attaching to countertop.
- b Cut countertop exactly as shown in step 1. Shave raised edge level to clear 30"-wide rim on rolled edge-style countertops.

- c Install the wiring junction box in an adjacent cabinet or under the floor (rangetop has 48" of conduit). Cut 1/4" hole to bring conduit to the junction box.
- d Push the electric conduit through the hole and attach it to the junction box. Leave enough slack in the conduit to allow the range to be pulled forward several inches for service if necessary.
- e Oven door is heavy. It is advisable to remove the door and eliminate its weight as range is lifted into position. See below if you decide to remove the door. Lift the range into position on the countertop.

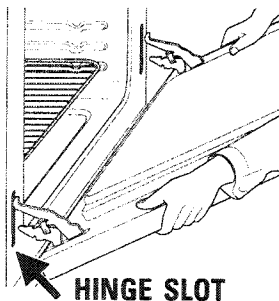
7 To Remove and Replace Oven Door



LOCKED (NORMAL) POSITION



UNLOCKED POSITION FOR DOOR REMOVAL



HINGE SLOT
DOOR REMOVED FROM RANGE

⚠ CAUTION: THE DOOR IS HEAVY. FOR SAFE, TEMPORARY STORAGE, LAY THE DOOR FLAT.

1. Open the door to the fully open position.
2. Pull up the lock located on each hinge support and engage it in the hook of the hinge lever. You may have to apply a little downward pressure on the door to pull the locks fully over the hooks.
3. Grasp the door by the sides, pull the bottom of the door toward you to disengage the hinge supports.
4. Keep pulling the bottom of the door toward you while rotating the top of the door toward the range to completely disengage the hinge levers.
5. To reinstall the oven door, reverse these steps. Make sure the hinge supports are fully engaged before unlocking the hinge levers.

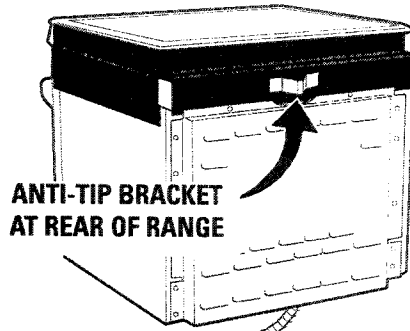
Installation Instructions.

Read these instructions completely and carefully.

8 Anti-Tip Bracket

This range is equipped with an anti-tip bracket attached to the back of the range with two screws. If countertop thickness is greater than $\frac{1}{2}$ ", relocate anti-tip bracket to the lower position $\frac{1}{4}$ " below.

Slide range into position. Make sure the anti-tip bracket is secured under the rear countertop.



WARNING

- Range must be secured by anti-tip bracket supplied.
- Unless properly installed, the range could be tipped by stepping or sitting on the door. Injury might result from spilled hot liquids or from the range itself.

9 Optional Range Retention "L" Brace

When installing this range onto some smooth countertops, it may be necessary to install the Range Retention "L" Brace provided to prevent movement of the range.

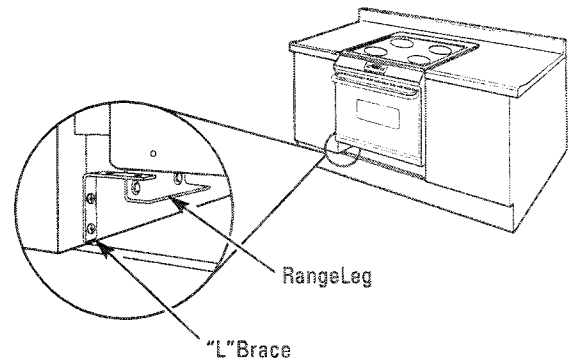
Once the range is securely in position in the cabinet opening, position the "L" brace against the side of the cabinet and flush with the front of the range leg.

Hold the "L" brace in place and mark the two (2) holes on the inside of the cabinet.

Drill two $\frac{1}{8}$ " pilot holes into the cabinet at the two (2) points marked earlier. (**Caution should be used to avoid drilling through the opposite side of the cabinet.**)

Attach the "L" brace to the cabinet with the screws provided.

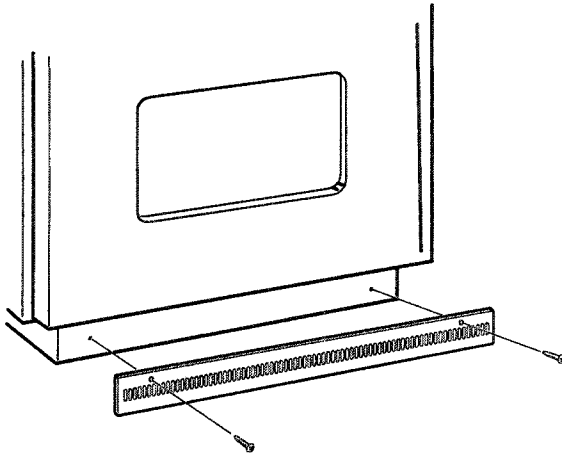
Repeat this procedure on the opposite side.



Installation Instructions.

10 Install the Bottom Grille

Remove any protective wrap from the grille. Attach the grille to the lower front frame of the range with the screws provided.



NOTE: Remove grille before removing range for service.

11 Final Check

Be sure all range controls are in the OFF position before leaving the range.

Safety Instructions

Operating Instructions

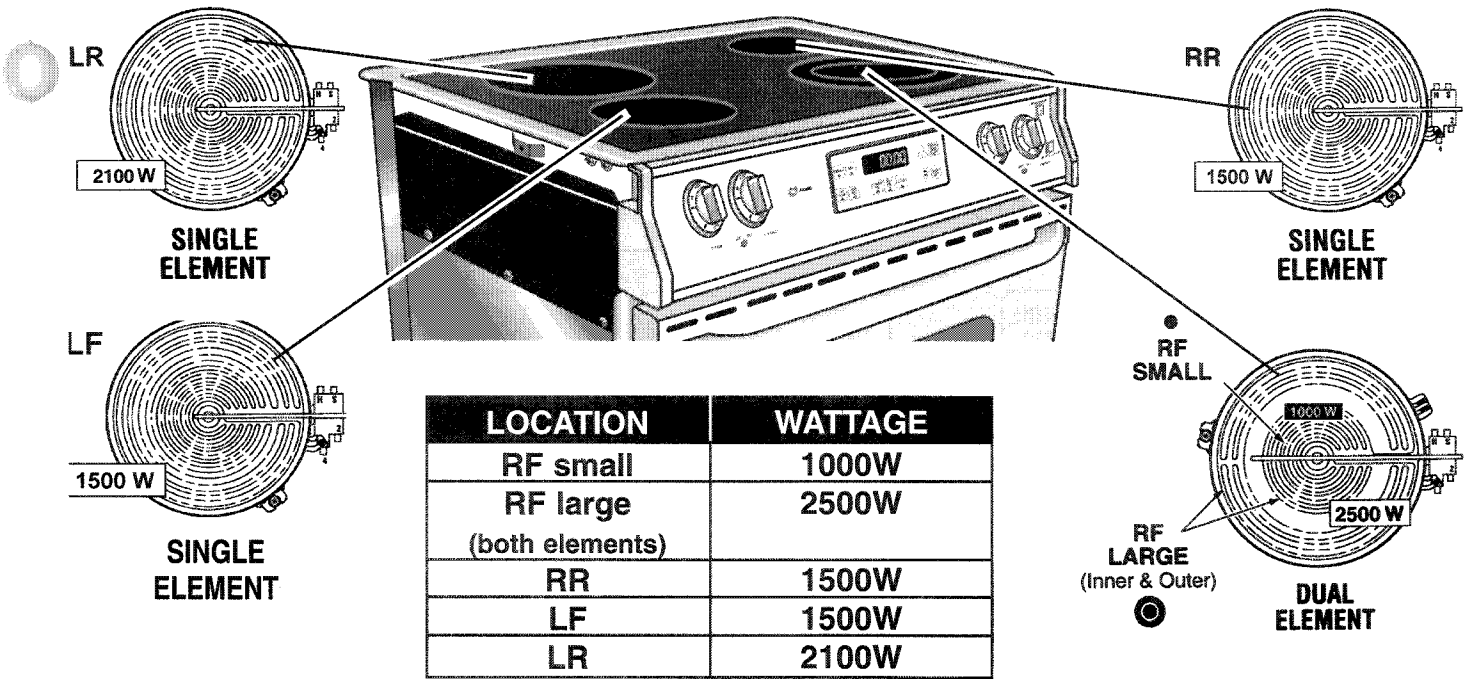
Care and Cleaning

Installation Instructions

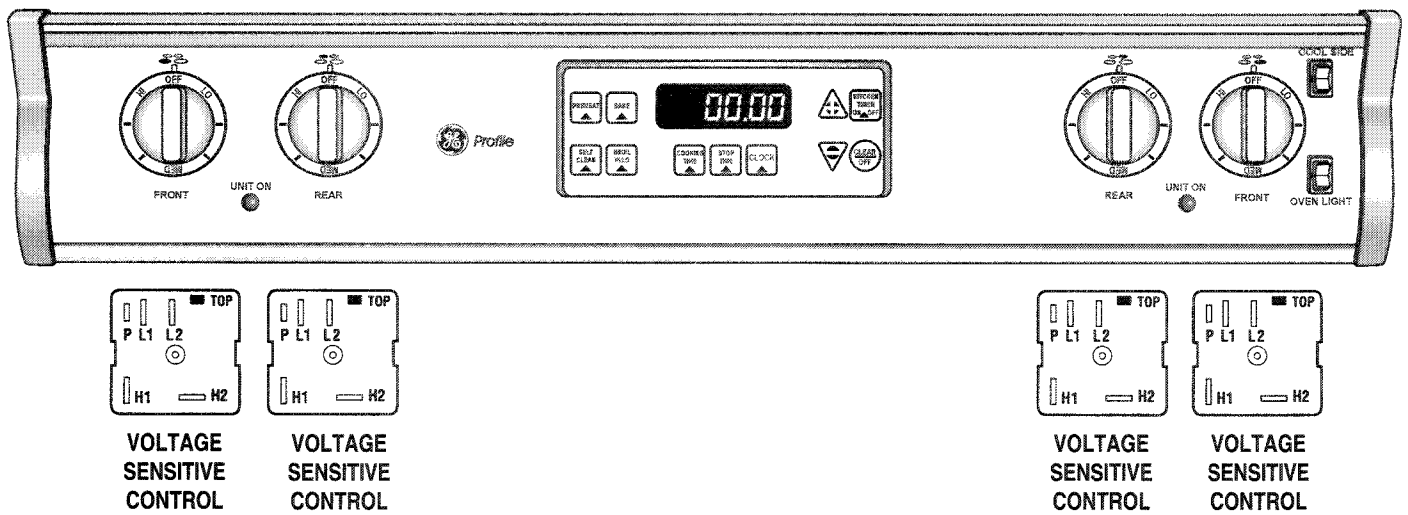
Troubleshooting Tips

Customer Service

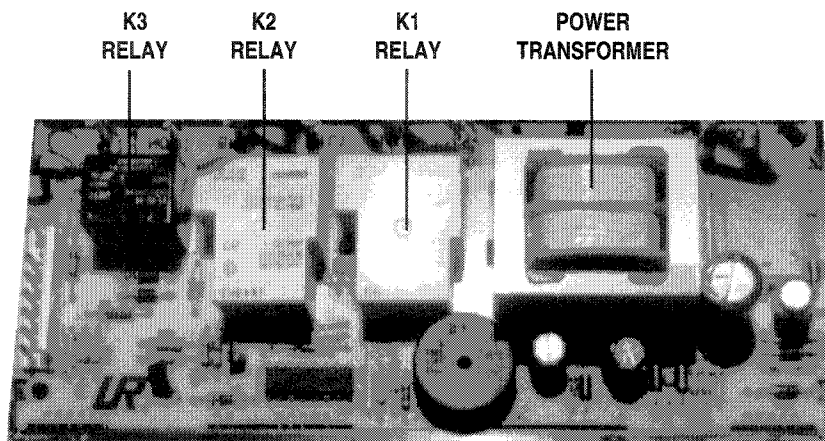
COOKTOP CONFIGURATION



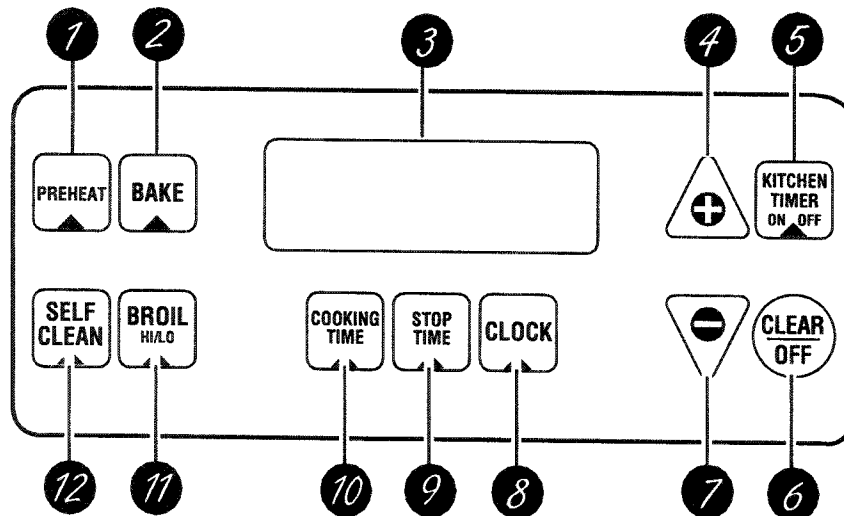
BURNER CONTROLS CONFIGURATION



ELECTRONIC OVEN CONTROL CONFIGURATION



Using the Oven Controls



1. PREHEAT Pad

Press this pad to set automatic preheating.

2. BAKE Pad

Press this pad to select the BAKE function.

3. DISPLAY

Shows the time of day and the time set for the timer.

If "F— and a number or letter" flash in the display and the oven control signals, this indicates a function error code.

If the oven was set for a timed oven operation and a power outage occurred, the clock and all programmed functions must be reset.

The time of day will flash in the display when there has been a power outage.

4. INCREASE Pad

Short taps to this pad will increase the time or temperature by small amounts. Press and hold the pad to increase the time or temperature by larger amounts.

5. KITCHEN TIMER ON/OFF Pad

Press this pad to select the timer feature.

6. CLEAR/OFF Pad

Press this pad to cancel ALL oven operations except the clock and timer.

7. DECREASE Pad

Short taps to this pad will decrease the time or temperature by small amounts. Press and hold the pad to decrease the time or temperature by larger amounts.

8. CLOCK Pad

Press this pad before setting the clock.

9. STOP TIME Pad

Use this pad along with the COOKING TIME or SELF CLEAN pad to set the oven to stop automatically at a time you select.

10. COOKING TIME Pad

Press this pad for Timed BAKE operations.

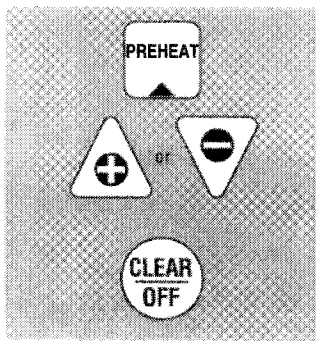
11. BROIL HI/LO Pad

Press this pad to select the BROIL function.

12. SELF CLEAN Pad

Press this pad to select the self-cleaning function.

How to Set the Oven for Baking/Roasting or Broiling



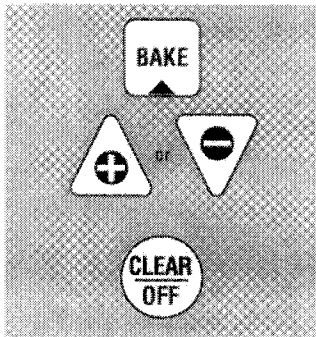
SET PREHEAT

Preheating for BAKING/ROASTING

1. Press the PREHEAT pad.
2. Press the INCREASE or DECREASE pad to set the oven temperature.

Once the oven reaches the preset temperature, it will signal that it is time to place the food in the oven. The oven will automatically continue to bake.

3. Press the CLEAR/OFF pad when baking/roasting is finished.



SET BAKE/ROAST

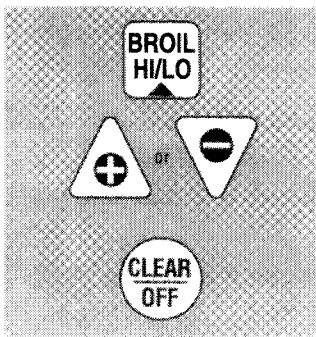
Normal ROASTING/BAKING

1. Press the BAKE pad.
2. Press the INCREASE or DECREASE pad to set the oven temperature.

The oven will start automatically. When the oven starts to heat, the changing temperature will be in the display.

NOTE: To change the oven temperature during the BAKE cycle, press the BAKE pad and set the new temperature by pressing the INCREASE or DECREASE pad.

3. Press the CLEAR/OFF pad when baking/roasting is finished.

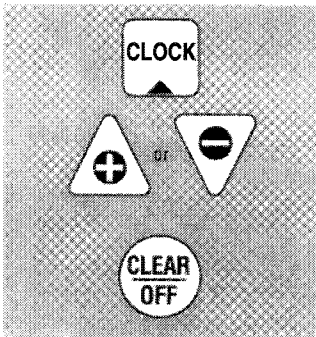


SET BROIL

Normal BROILING

1. Press the BROIL HI/LO pad.
2. Press the INCREASE or DECREASE pad once for HI Broil, then press the DECREASE pad to select the Variable Broil settings.
3. When broiling is finished, press the CLEAR/OFF pad.

Using the Clock and Timer



SET CLOCK

To Set the Clock

The clock must be set for the automatic oven timing function to work properly. The time of day cannot be changed during a timed baking or self-cleaning cycle.

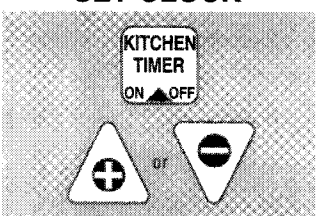
1. Press the CLOCK pad.
2. Press the INCREASE or DECREASE pad to set the time of day.
3. Press the CLEAR/OFF pad to start, or the clock will automatically start after 6 seconds.

To Set the Kitchen Timer

1. Press the KITCHEN TIMER ON/OFF pad.
2. Press the INCREASE or DECREASE pad to set the amount of time on timer.

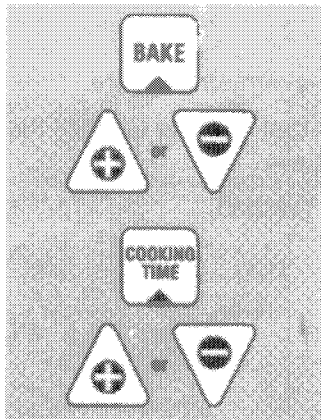
The Kitchen Timer will start automatically within a few seconds of releasing the pad.

The Kitchen Timer, as it is set, will display 5-second increments until 2 minutes is reached. It will display 10-second increments until 10 minutes is reached. It will display 1-minute increments until 1 hour is reached. After 1 hour, it will display 5-minute increments until a maximum time of 9 hours and 55 minutes is reached.



SET KITCHEN TIMER

How to Set Timed Bake and Roasting Features



SET TIMED BAKE

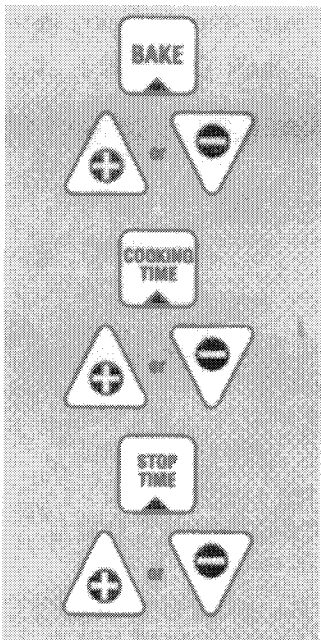
To Set an Immediate Start and Automatic Stop

The oven will turn on immediately and cook for a selected length of time. At the end of the cooking time the oven will turn off automatically.

1. Press the BAKE pad.
2. Using the INCREASE or DECREASE pad, enter the desired temperature.
3. Press the COOKING TIME pad.

NOTE: If the recipe requires preheating, additional time should be added to the length of the cooking time.

4. Using the INCREASE or DECREASE pad, enter the desired cooking time. The oven temperature and the cooking time will be displayed.
5. Press the CLEAR/OFF pad to clear the display.



SET DELAY START
AUTOMATIC STOP
BAKE

To Set a Delayed Start and Automatic Stop

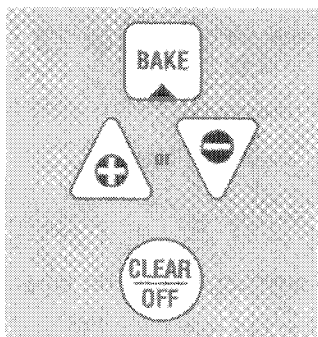
This will set the oven control to delay-start the oven, cook for a specific length of time and then turn off automatically.

1. Press the BAKE pad.
2. Using the INCREASE or DECREASE pad, enter the desired temperature.
3. Press the COOKING TIME pad.

NOTE: If the recipe requires preheating, additional time should be added to the length of the cooking time.

4. Using the INCREASE or DECREASE pad, enter the desired cooking time. The oven temperature and the cooking time will be displayed.
5. Press the STOP TIME pad. The display will show the earliest stop time you can set.
6. Press the INCREASE pad to set the time of day you want the oven to stop cooking.
7. Press the CLEAR/OFF pad to clear the display.

Adjusting the Oven Thermostat



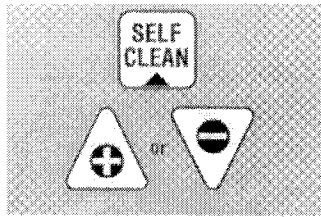
ADJUSTING OVEN
TEMPERATURE

To Adjust the Thermostat

1. Press the BAKE pad.
2. Set the oven temperature at 550°F.
3. Immediately, before "ON" appears, press and hold the BAKE pad for about 5 seconds. The time display will change to the oven adjustment display.
4. To oven temperature can be adjusted up to (+) 35°F hotter or (-) 35°F cooler. Use the INCREASE or DECREASE pad to select the desired change in the display.
5. When you have made the adjustment, press the CLEAR/OFF pad to go back to the time of day display.

NOTE: This adjustment will not affect the broiling or the self-cleaning temperatures. It will be retained in memory after a power failure.

How to Set the Oven for Cleaning



SET OVEN CLEAN

Setting the Oven for Cleaning

1. Press the SELF CLEAN pad.
2. Press the INCREASE or DECREASE pad until the desired clean time is displayed.

Clean cycle time is normally 3 hours. Clean cycle time can be changed to between 2 hours and 4 hours, depending on how dirty the oven is. The door will lock and the self-clean cycle will automatically begin after "CLEAN" is displayed and the time for the clean cycle is set. It will not be possible to open the oven door until the temperature drops below the locking temperature and the **LOCKED** light goes off.

3. Press the CLEAR/OFF pad to stop the clean cycle.

When the LOCKED light goes off and the oven has cooled below the locking temperature, the oven door can be opened.

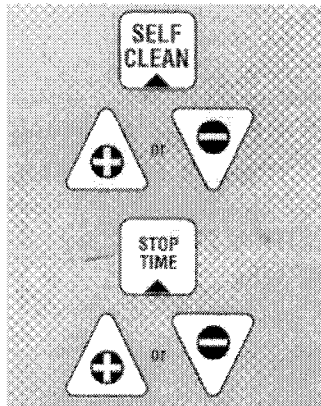
Setting Delay Start of Cleaning

The oven control can be set to delay the start time of the self-cleaning cycle for a specific length of time and then turn off automatically. Be sure the clock shows the correct time of day.

1. Press the SELF CLEAN pad.
2. Using the INCREASE or DECREASE pad, enter the desired clean time.
3. Press the STOP TIME pad. The earliest stop time will appear in the display.
4. Using the INCREASE or DECREASE pad, enter the time of day you want the clean cycle to stop.

The oven control will automatically subtract the amount of cleaning time from the stop time to determine when the cleaning will begin.

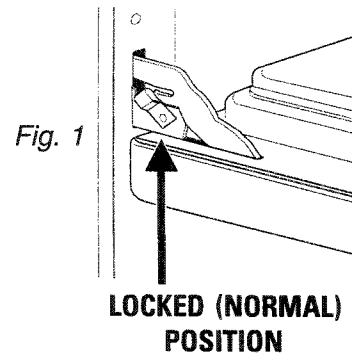
The door locks automatically. It will not be possible to open the oven door until the temperature drops below the locking temperature and the LOCKED light goes off.



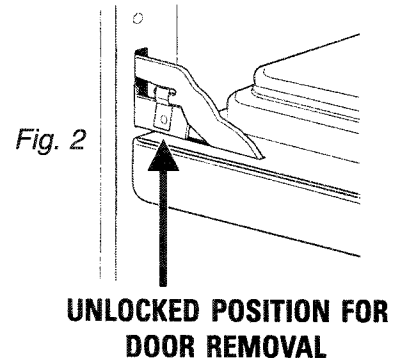
SET DELAY OVEN CLEAN

OVEN DOOR REMOVAL

1. Open the door to the fully opened position.
(Fig. 1)



2. Pull up the lock located on each hinge support and engage it in the hook of the hinge lever. You may have to apply a little downward pressure on the door to pull the locks fully over the hooks. (Fig. 2)

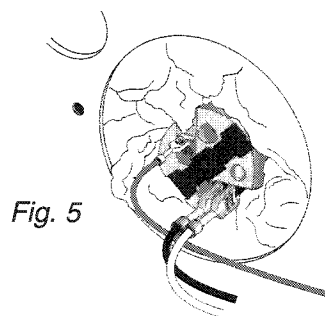
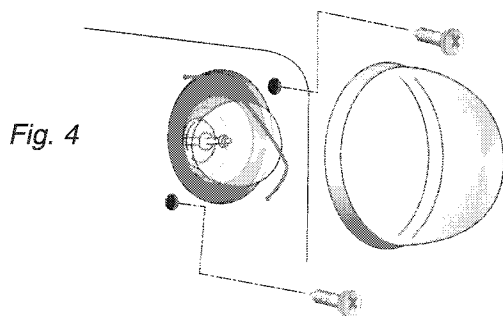


3. Grasp the door by the sides, pull the bottom of the door up and toward you to disengage the hinge supports. (Fig. 3)
4. Keep pulling the bottom of the door toward you while rotating the top of the door toward the range to completely disengage the hinge levers. (Fig. 3)



OVEN LIGHT AND RECEPTACLE REMOVAL

1. Disconnect the electrical power from the unit.
2. Slide the bale arm off of the oven light lens and remove the lens from the oven light assembly. (Fig. 4)
3. Remove the two (2) screws securing the oven light socket assembly to the back wall of the oven. (Fig. 4)
4. Pull the socket assembly forward enough to access the wiring harness connectors on the terminals of the socket and remove the connectors. (Fig. 5)



OVEN TEMPERATURE PROBE REMOVAL

1. Disconnect the electrical power from the unit.
2. Remove the two (2) screws securing the temperature probe to the rear wall of the oven cavity. (Fig. 6)
3. Carefully pull the temperature probe forward far enough to access the wiring harness connector and disconnect the wiring harness connector from the temperature probe plug. (Fig. 7)
4. The temperature probe can now be removed from the oven cavity.

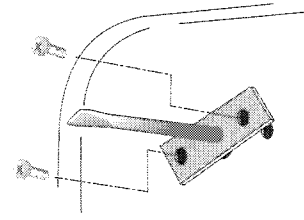


Fig. 6

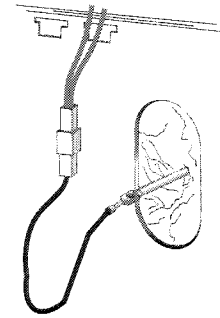


Fig. 7

BAKE ELEMENT REMOVAL

1. Disconnect the electrical power from the unit.
2. Remove the two (2) screws securing the bake element to the rear wall of the oven cavity. (Fig. 8)
3. Carefully pull the bake element forward far enough to access the wiring harness connectors and remove the connectors from the bake element terminals. (Fig. 8)
4. The bake element can now be removed from the oven cavity.

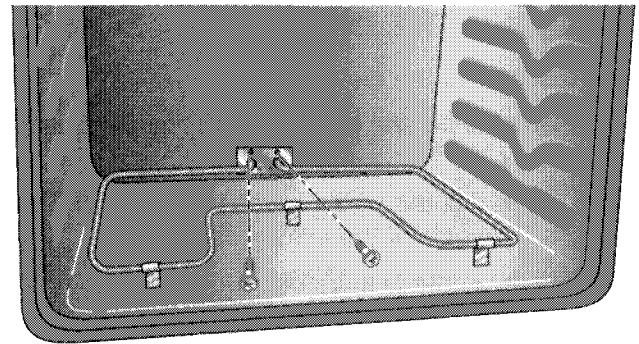


Fig. 8

BROIL ELEMENT REMOVAL

1. Disconnect the electrical power from the unit.
2. Remove the two (2) screws securing the broil element to the rear wall of the oven cavity. (Fig. 9)
3. Lift the broil element slightly and unhook the element from the wire hangers securing it to the oven cavity top. (Fig. 9)
4. Carefully pull the broil element forward far enough to access the wiring harness connectors and remove the connectors from the broil element terminals. (Fig. 9)
5. The broil element can now be removed from the oven cavity.

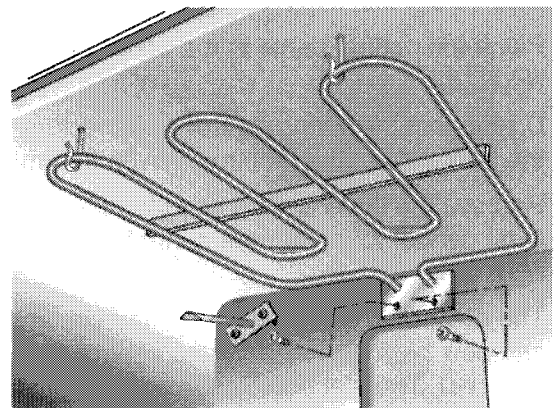


Fig. 9

CONTROL SECTION ACCESS

1. Disconnect the electrical power from the unit.
2. Remove the two (2) screws securing the console panel to the unit side panels. There is one screw on each side of the unit. (Fig. 10)
3. Remove the two (2) screws securing the front of the cooktop to the unit side panels. There is one screw on each side of the unit. (Fig. 10)
4. Open the oven door completely and remove the two (2) screws securing the bottom of the console panel to the oven frame. (Fig. 11)
5. Lift the front of the cooktop up to disengage the lip of the cooktop from the channel in the top of the console panel. (Fig. 11)
6. The control panel can now be tilted down into the service position. This will allow access to the surface unit infinite control switches and the electronic oven control board. (Fig. 13)

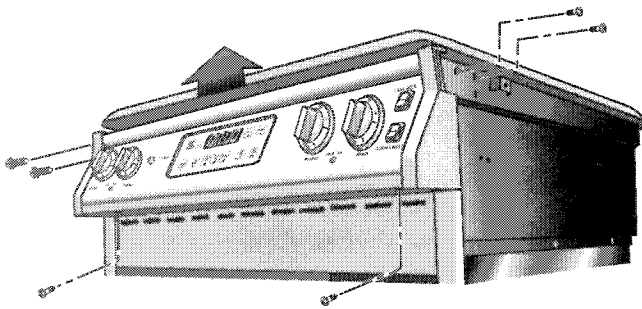


Fig. 10

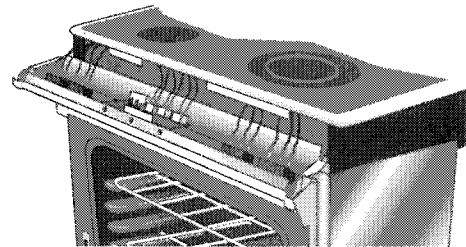


Fig. 11

REMOVING THE INFINITE HEAT CONTROLS

1. Disconnect the electrical power from the unit.
2. Place the control panel in the service position. (Fig. 12)
3. Disconnect the wiring harness connectors from the terminals of the infinite heat control.
4. Pull the control knob from the infinite heat control shaft. (Fig. 12)
5. Remove the two (2) screws securing the infinite heat control to the control panel. (Fig. 12)

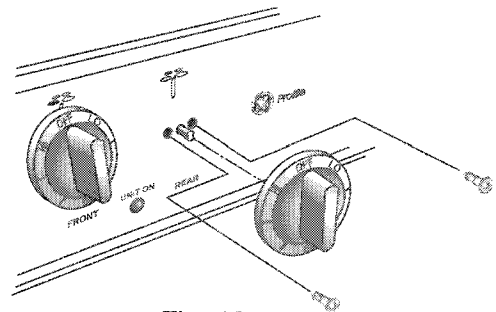


Fig. 12

REMOVING ELECTRONIC OVEN CONTROL

1. Disconnect the electrical power from the unit.
2. Place the control panel in the service position. (Fig. 13)
3. Disconnect the wiring harness connectors from the terminals of the electronic oven control.
4. Remove the three screws securing the electronic oven control to the control panel frame rail. (Fig. 13)
5. The electronic oven control printed circuit board can now be removed from the control console. (Fig. 14) The electronic oven control assembly includes both the printed circuit board and the touch pad controls.

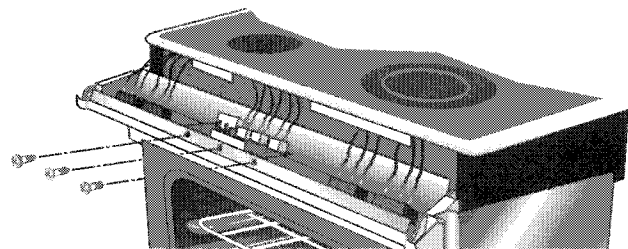


Fig. 13

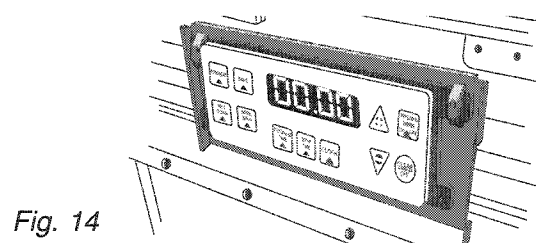
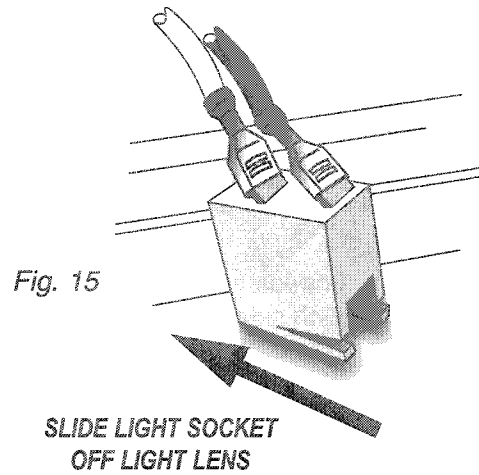


Fig. 14

SURFACE ON INDICATOR LIGHT REMOVAL

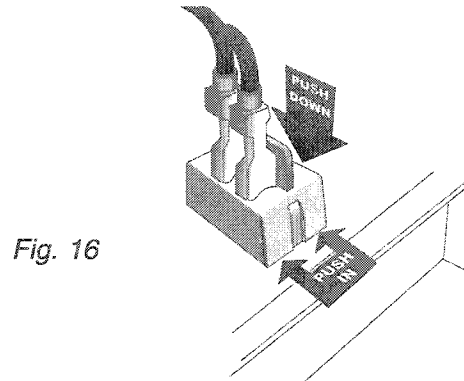
1. Disconnect the electrical power from the unit.
2. Place the control panel in the service position.
3. Disconnect the wiring harness connector from the terminals of the surface element on indicator light socket.
4. Carefully slide the surface element on indicator light socket off the plastic lens. (Fig. 15)

NOTE: The light lens will fall from its position in the control panel. Do not lose it.



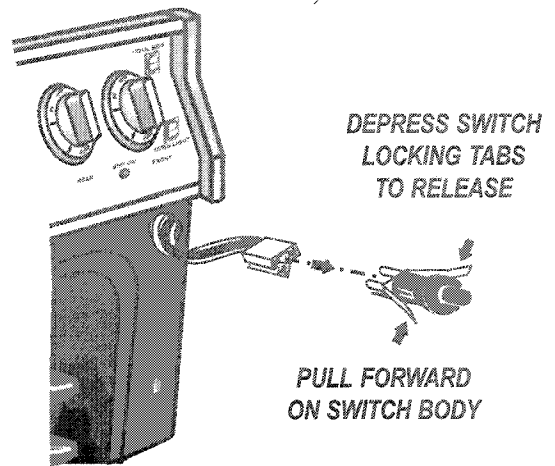
RADIANT COIL SIZE AND OVEN LIGHT SWITCH REMOVAL

1. Disconnect the electrical power from the unit.
2. Place the control panel in the service position.
3. Disconnect the wiring harness connector from the terminals of the switch to be removed.
4. Carefully push in on the two (2) tabs at one end of the switch body. Then, push the switch body through the cutout in the control panel. (Fig. 16)



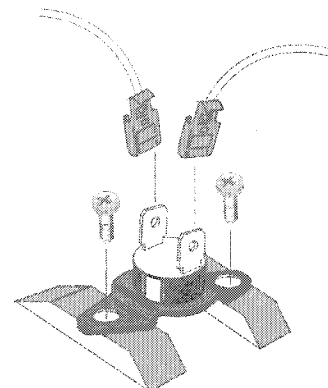
DOOR SWITCH REMOVAL

1. Disconnect the electrical power from the unit.
2. Place the control panel in the service position.
3. Disconnect the wiring harness connector from the terminals of the door switch.
4. Depress inward on the locking tabs while pulling outward on the switch body. (Fig. 17)



THERMAL CIRCUIT BREAKER REMOVAL

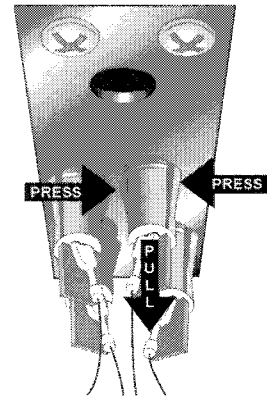
1. Disconnect the electrical power from the unit.
2. Place the control panel in the service position.
3. Disconnect the wiring harness connectors from the terminals of the thermal circuit breaker.
4. Use a short shaft Phillips screwdriver and remove the two (2) screws securing the thermal circuit breaker to the top of the insulation cover. (Fig. 18)



HOT SURFACE INDICATOR LIGHT REMOVAL

1. Disconnect the electrical power from the unit.
2. Place the control panel in the service position.
3. Disconnect the wiring harness connectors from the terminals of the hot surface indicator light socket.
4. Use a pair of needlenose pliers and press in on the tabs on each side of the socket and then pull the light socket out of the mounting bracket. (Fig. 19)

Fig. 19



REMOVING THE COOKTOP

1. Disconnect the electrical power from the unit.
2. Remove the four (4) screws securing the cooktop to the unit frame. (Fig. 20)
3. Lift the rear of the cooktop from the unit and carefully tip it forward until it is upside down for service. The cooktop must be supported when in the service position.
4. The surface elements, hot surface indicator lights and door switch are now accessible.

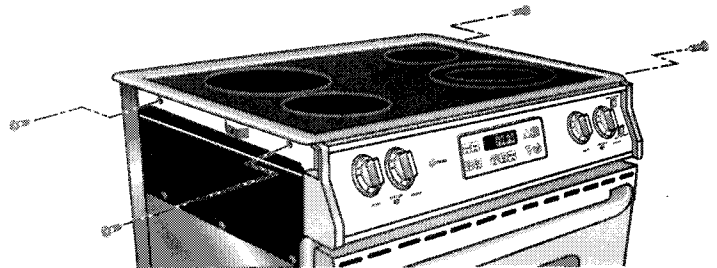


Fig. 20

REMOVING A SURFACE BURNER ELEMENT

1. Disconnect the electrical power from the unit.
2. Place the cooktop in the service position (Fig. 21).
3. At the front of the cooktop, bend the small tab securing the burner mounting bracket to the cooktop. (INSET - Fig. 22)
4. Slide the mounting bracket toward the rear of the cooktop to disengage the large tab from the slot in the cooktop frame. (Fig. 22) The mounting bracket can now be removed.
5. The surface burner element can now be replaced. Remove the wiring harness connectors from the burner element and thermal limiter switches on the element to be replaced and remove the element.

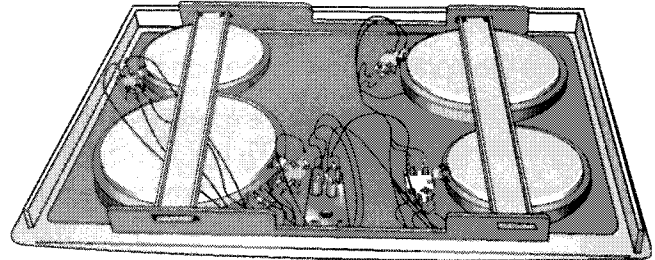


Fig. 21

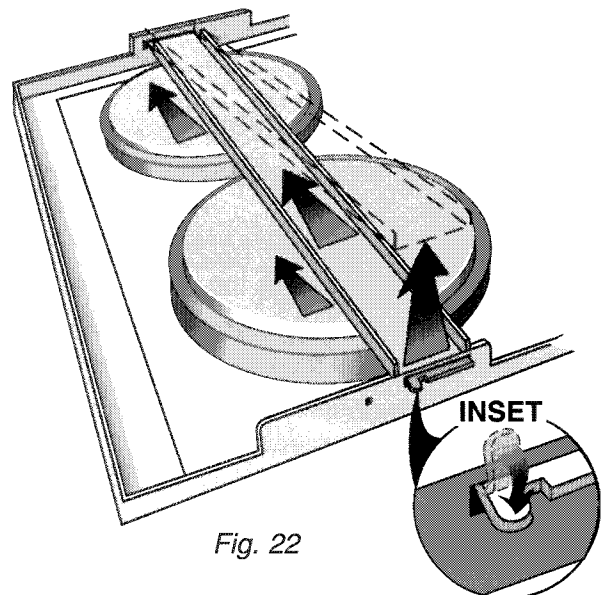


Fig. 22

NOTE: Each surface element has two (2) locator posts. Each post has a spring to hold the element tight to the underside of the cooktop. When removing a surface element, do not lose the spring. It will be reused when installing a replacement surface element. If the spring is lost, it must be ordered separately.

REPLACING A SURFACE BURNER ELEMENT

Each surface burner element has two locator posts that fit into corresponding holes in the mounting bracket. Each locator post has a spring to hold the element tight to the underside of the cooktop. (Fig. 23) When replacing a surface element, be sure the springs are installed properly.

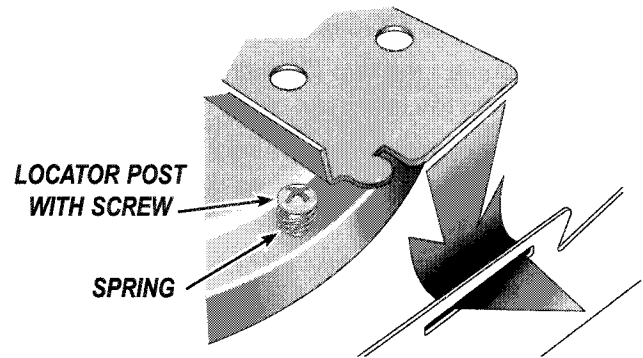


Fig. 23

ACCESSING COMPONENT AT THE BACK OF THE RANGE

Two components, the cooling fan and the door latching motor assembly are accessible from the back of the range. The range must be completely removed from its installed position if either of these components must be serviced.

1. Disconnect the electrical power from the unit.
2. Remove the seven (7) screws securing the oven top rear panel to the range. (Fig. 24)

NOTE: The threads of the four (4) screws securing the oven top rear cover to the side panels are protected by plastic covers. Do not lose these. They must be reinstated when reassembling the range. (Fig. 24)

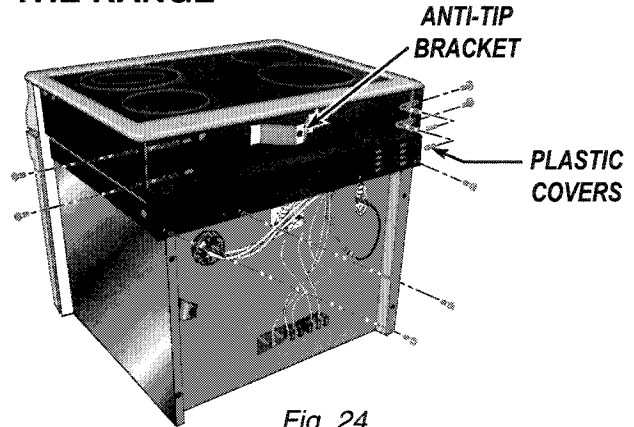


Fig. 24

REMOVING THE COOLING FAN ASSEMBLY

1. Disconnect the two (2) wiring harness connectors from the terminals of the cooling fan motor.
2. Remove the two (2) screws securing the cooling fan assembly to the rear insulation cover. These screws are located underneath the cooling fan assembly. (Fig. 25)

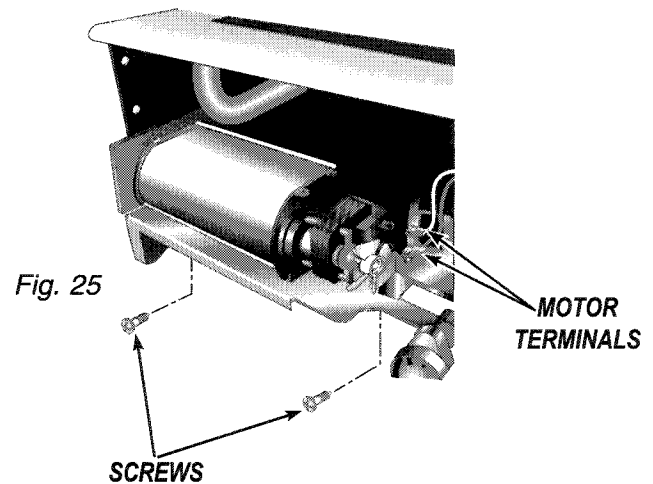


Fig. 25

3. Remove the cooling fan assembly by sliding it back approximately 1/4" to disengage the tabs from the slots in the rear insulation cover and lifting it up and away from the range. (Fig. 26)

ARROW DIRECTION
SHOWS
REASSEMBLY OF TAB

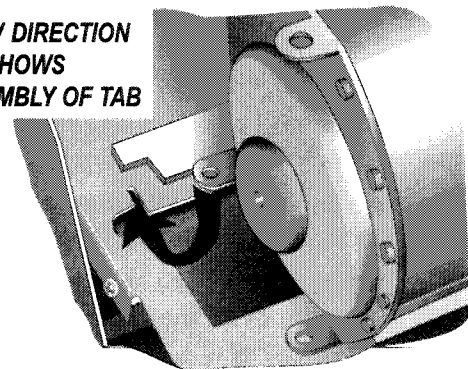


Fig. 26

REMOVING THE DOOR LATCHING MOTOR ASSEMBLY

1. Disconnect the two (2) wiring harness connectors from the terminals of the door latching motor.
2. Remove the two (2) screws securing the door latching motor assembly to the rear insulation cover. (Fig. 27)

NOTE: When installing a replacement door latching motor assembly be sure the cam is in the correct position to accept the latching rod. (Fig. 28) The latching rod has a flat side that must match the receiving hole in the cam. (INSET - Fig. 28)

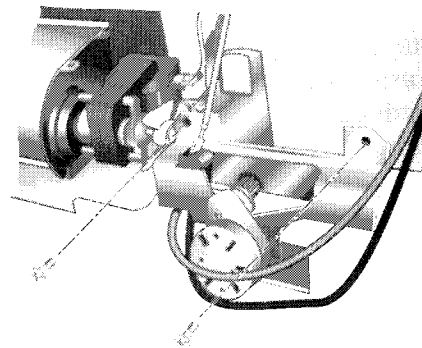


Fig. 27

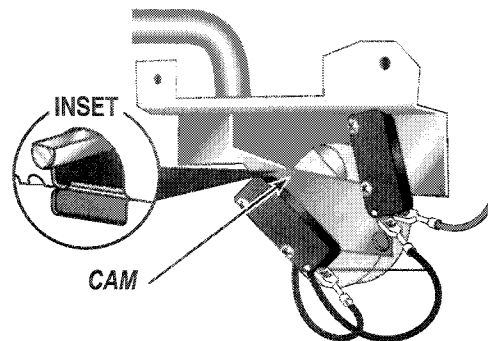


Fig. 28

REMOVING THE OVEN LINER

1. Disconnect the electrical power from the unit.
2. Remove the oven door. (See Page 1)
3. Remove the oven racks.
4. Remove the seven (7) screws securing the service panel to the back of the range. (Fig. 29)
5. Disconnect the wiring harness connector from the oven temperature probe plug.
6. Disconnect the wiring harness connectors from the terminals of the bake and broil elements.
7. Disconnect the wiring harness connector from the oven light socket terminals. (See Page 1)
8. Remove the two (2) screws securing the oven cavity brackets to the back panel of the range. (Fig. 30)
9. Remove the two (2) screws securing the light socket to the oven liner. (See Page 1)
10. Remove the two (2) screws securing the bake element to the oven liner. (See Page 2)
11. Remove the two (2) screws securing the broil element to the oven liner. (See Page 2)
12. Remove the two (2) screws securing the oven temperature probe to the oven liner. (See Pg. 2)
13. Remove the chimney from the top of the oven liner by twisting it and pulling it down.
14. a. From the back: Push the two oven liner brackets to free the oven liner from its position.
b. From the front: Pull the oven liner forward and remove it from the range.

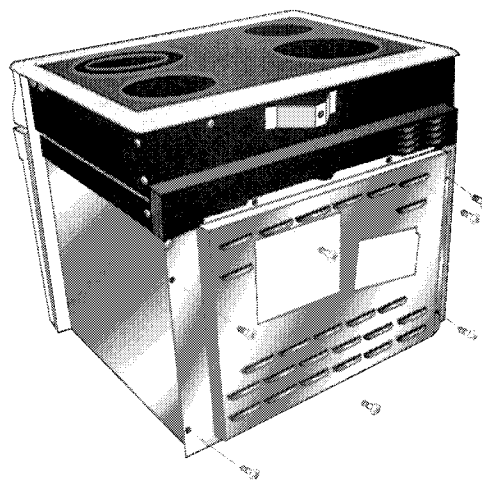


Fig. 29

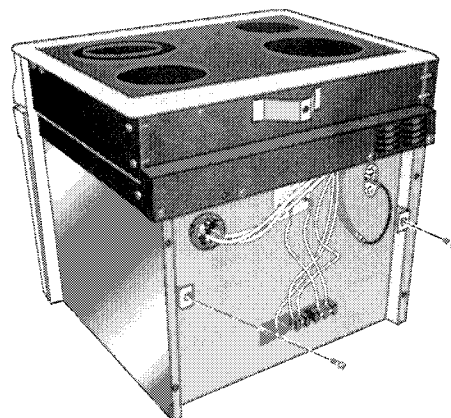


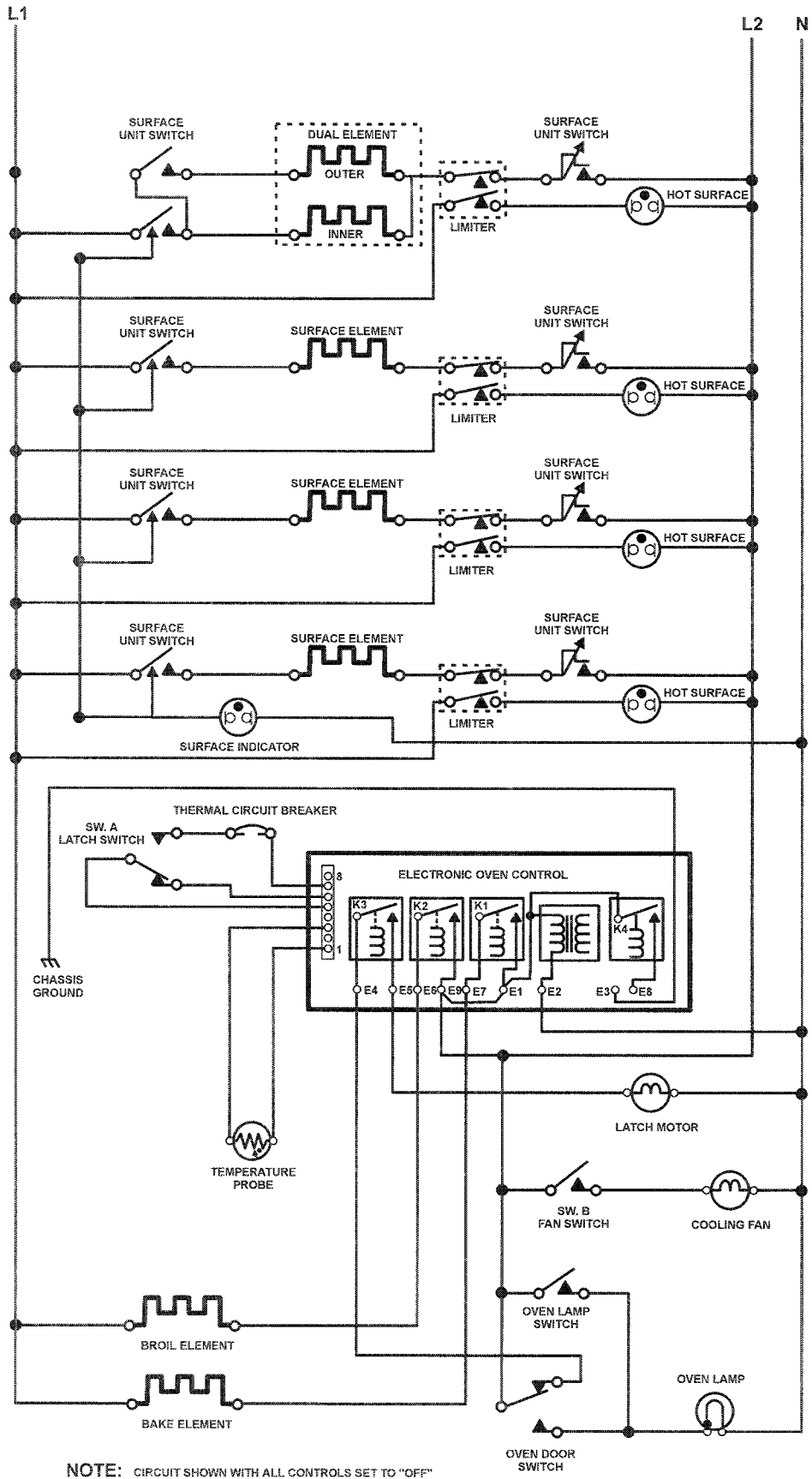
Fig. 30

ERC FAILURE CODES

FAILURE CODE	MEANING	CORRECTION
-F1-	Failed Transistor in Control Board	Replace Electronic Control Board
-F3-	Open Sensor Circuit or Failed Sensor Sensor Lead shorted to the Oven Frame (Grounded Out) Intermittent Sensor Harness connections	Check Sensor for Continuity. If Sensor is open (Infinity), replace Sensor. Inspect Sensor Leads. Adjust as necessary. Check that Sensor Leads are firmly attached to the Sensor and Electronic Control Board

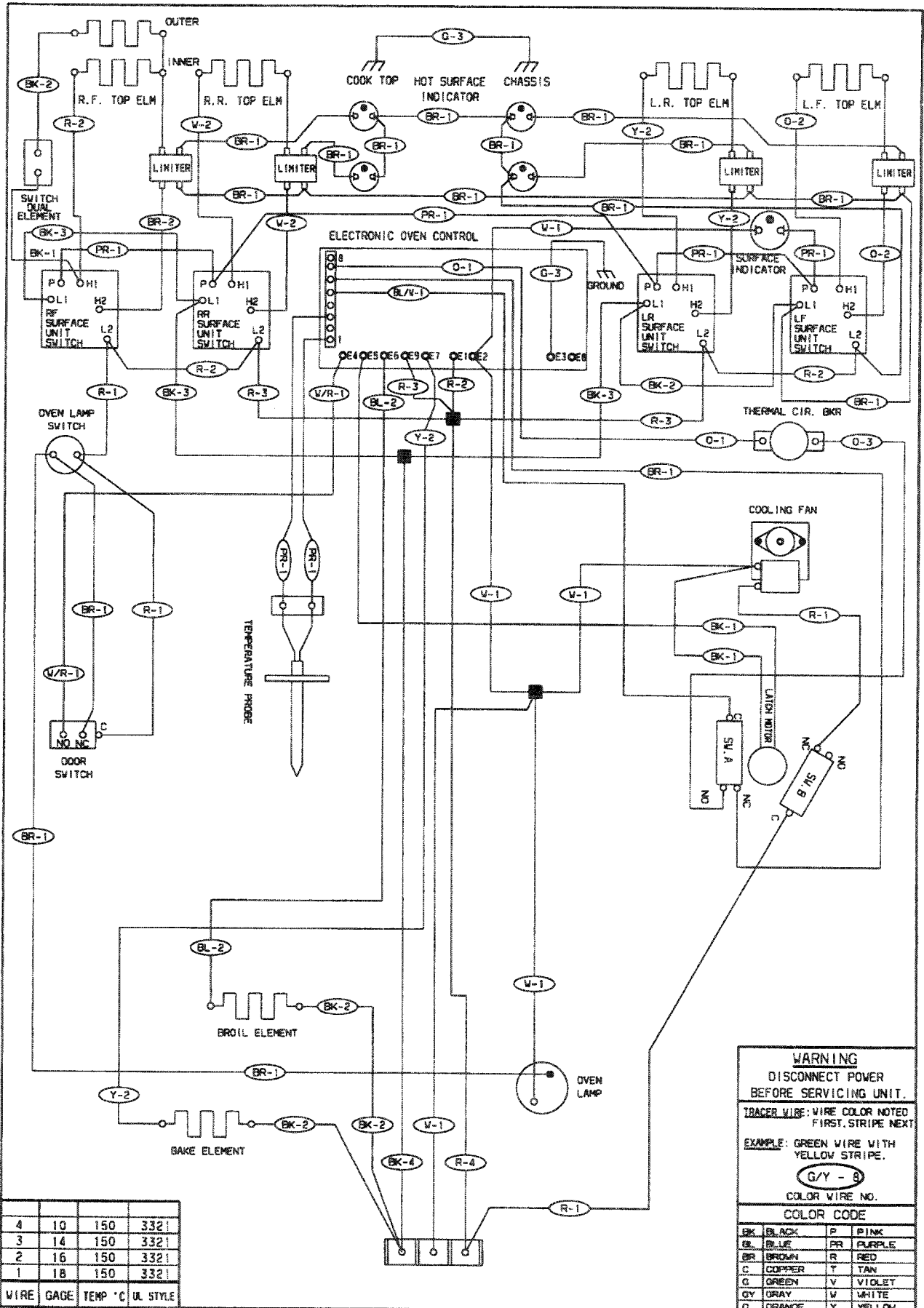
NOTE: Connections can be intermittent due to a corrosive buildup between the connection to the terminal, or by being bent by the insertion of a probe, etc.

WIRING DIAGRAM



NOTE: CIRCUIT SHOWN WITH ALL CONTROLS SET TO "OFF"
OVEN DOOR CLOSED AND UNLOCKED

WIRING SCHEMATIC



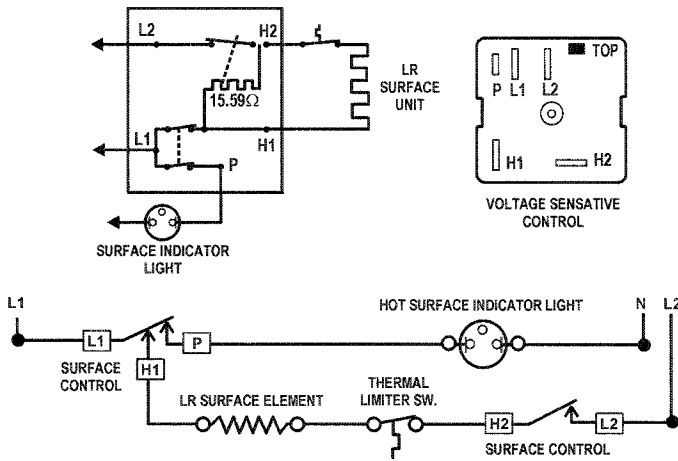
WIRE	GAGE	TEMP °C	UL STYLE
4	10	150	3321
3	14	150	3321
2	16	150	3321
1	18	150	3321

WARNING
DISCONNECT POWER
BEFORE SERVICING UNIT.
TRACER WIRE: WIRE COLOR NOTED
FIRST, STRIPE NEXT
EXAMPLE: GREEN WIRE WITH
YELLOW STRIPE.
G/Y - 8
COLOR WIRE NO.

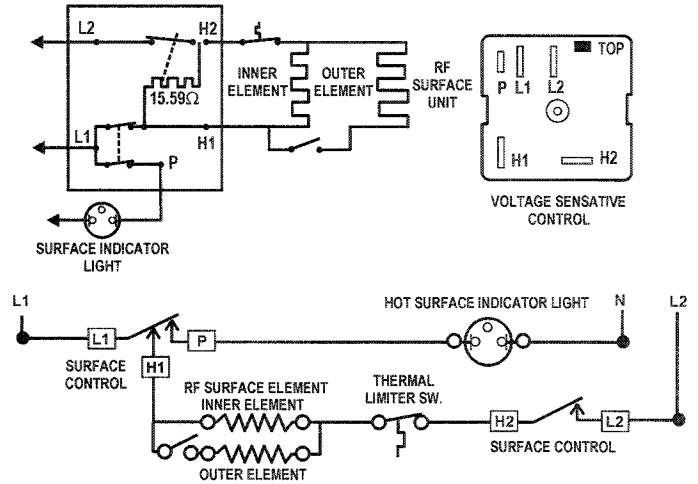
COLOR CODE	
BK	BLACK
BL	BLUE
BR	BROWN
C	COPPER
G	GREEN
GY	GRAY
O	ORANGE
P	PINK
PR	PURPLE
R	RED
T	TAN
V	VIOLET
W	WHITE
Y	YELLOW

STRIP CIRCUITS

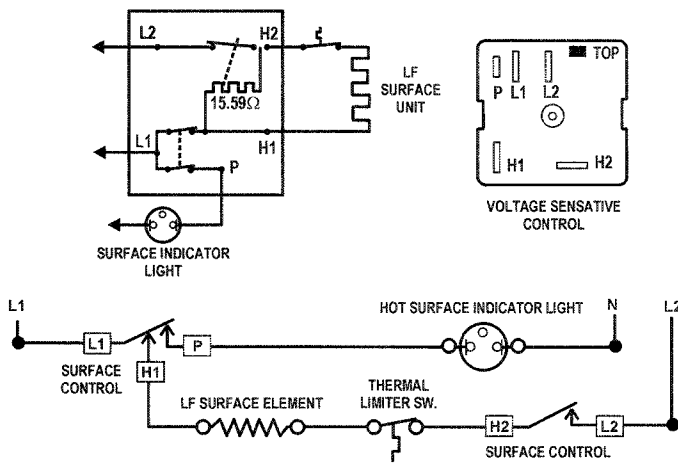
LR SURFACE BURNER



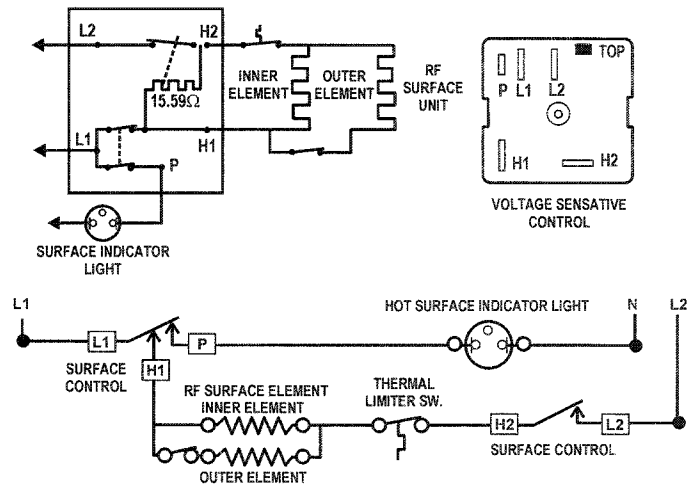
RF SURFACE BURNER INNER ELEMENT ENERGIZED



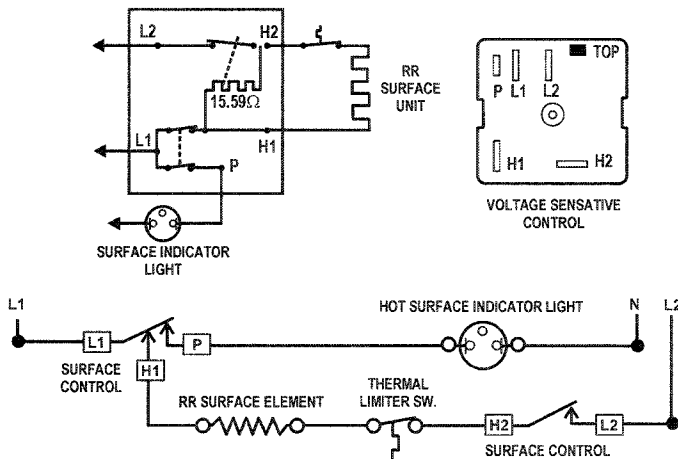
LF SURFACE BURNER



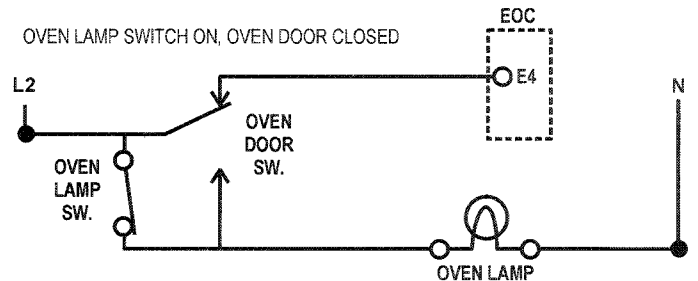
RF SURFACE BURNER BOTH ENERGIZED



RR SURFACE BURNER



OVEN LIGHT CIRCUIT

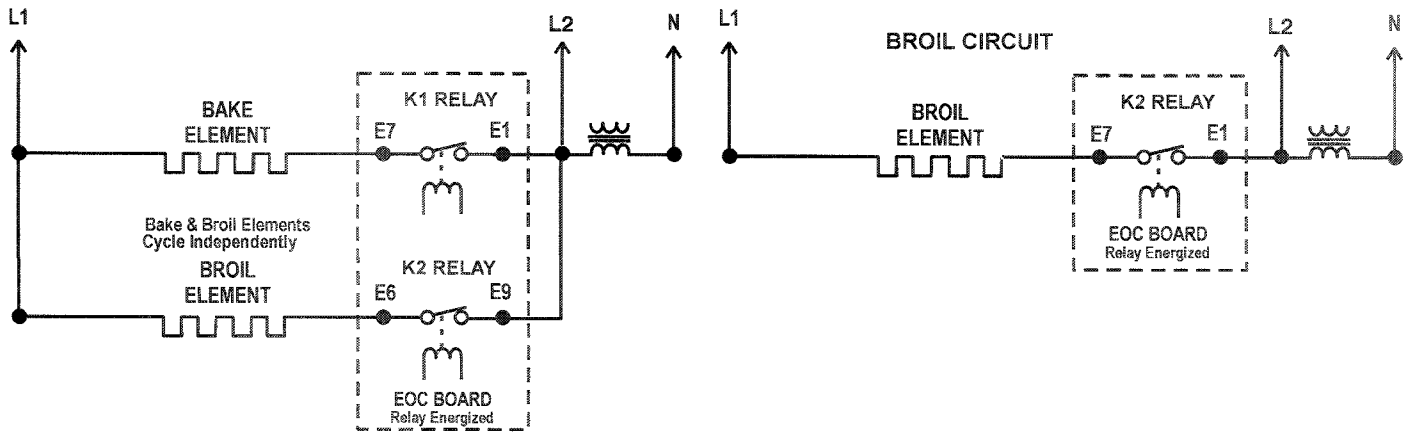


COOLING FAN CIRCUIT



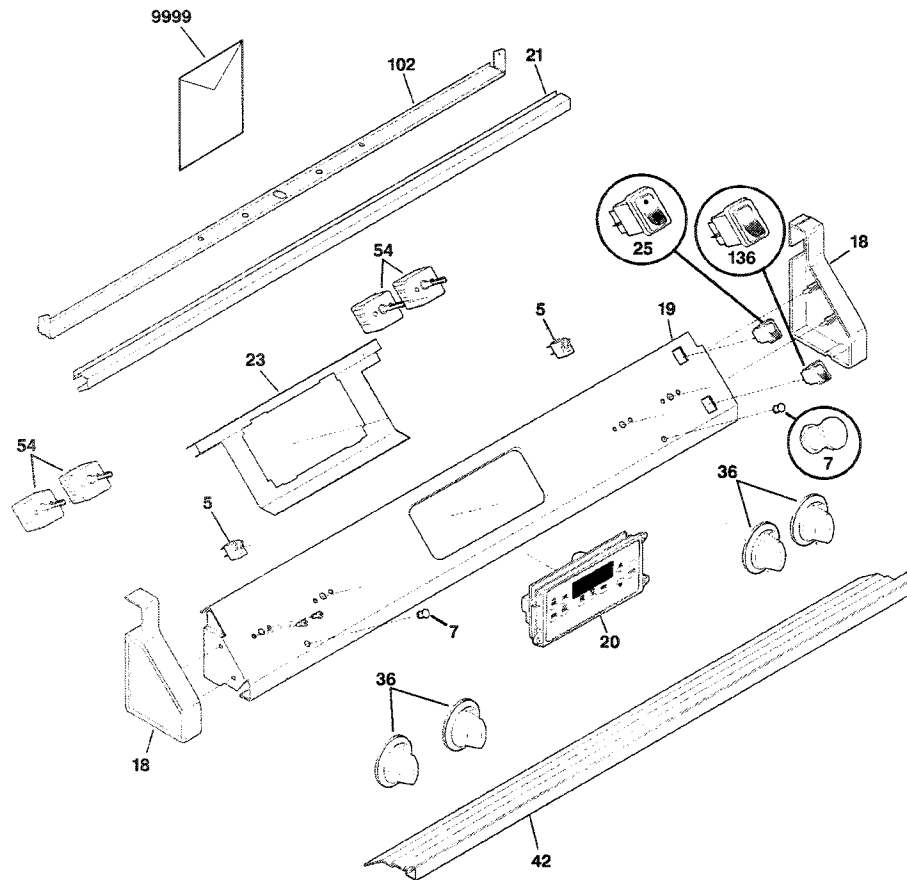
BAKE CIRCUIT

BROIL CIRCUIT



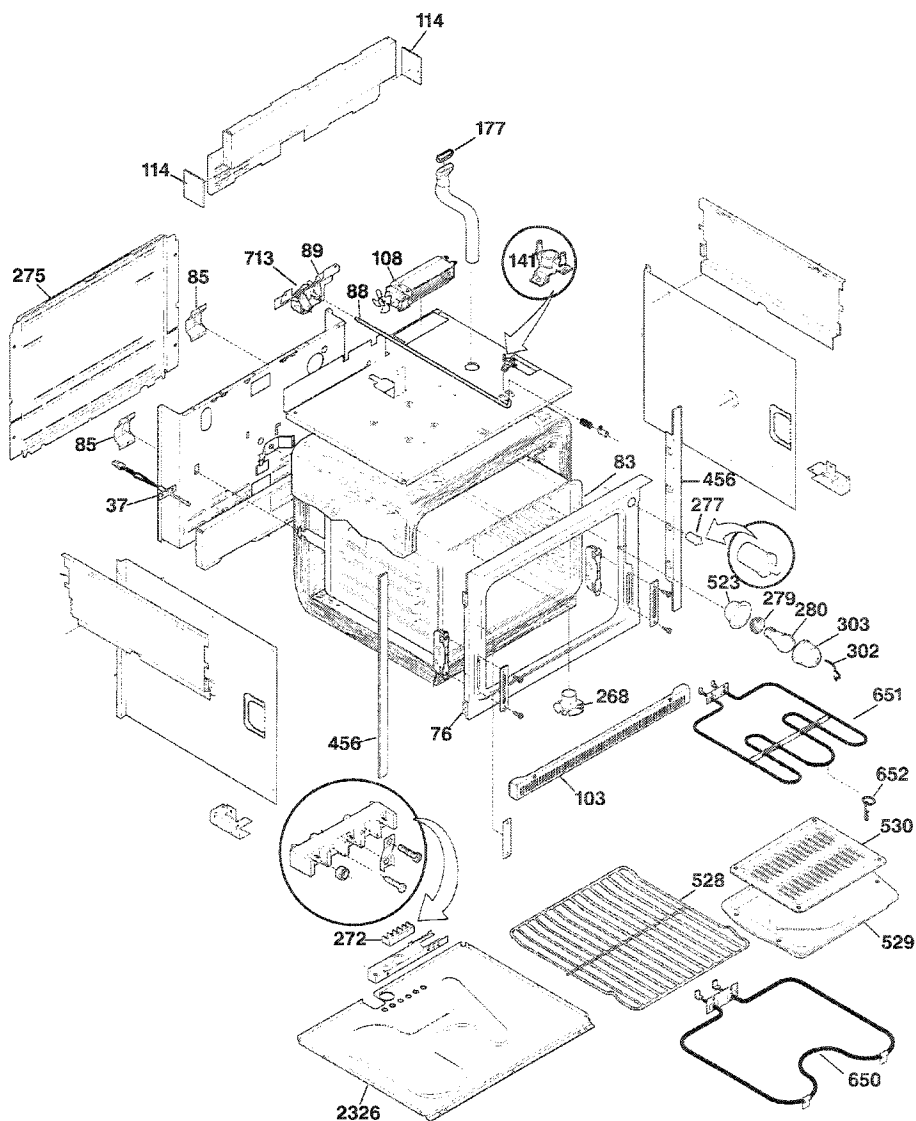
EXPLODED VIEWS

Control Panel



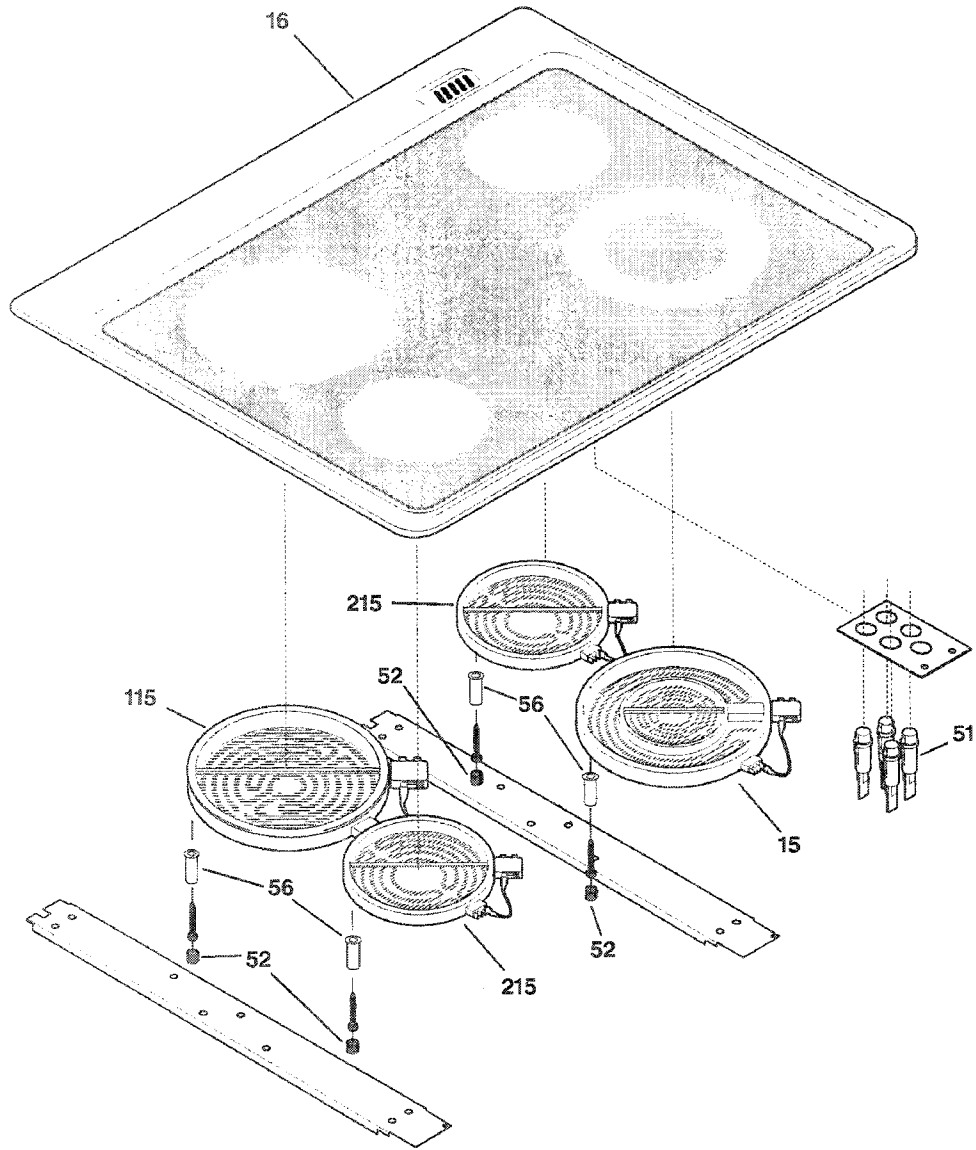
5	WB25X5056	LAMP INDICATOR 125V	2
7	WB02X7457	JEWEL	2
18	WB07X10282	END CAP RH WH	1
18	WBZX10283	END CAP LH WH	1
19	WBO7X10275	PANEL CONTROL WH	1
20	WB19X10012	TIMER WH	1
21	WB07X10276	TRIM BACKGUARD WH	1
23	WB02X10630	BRKT TIMER	1
25	WB25X10001	SWITCH ROCKER WH	1
36	WB03X5358	KNOB SURF UNIT WH	4
42	WB07X10279	TIMR VENT WH	1
54	WB23X10007	SWITCH SURF UNIT	4
102	WB02X10633	BRKT MTNG	1
136	WB24X10043	SWITCH, LIGHT ROCKER WH	1
9999	49-8980	USER/INST INSTR.	1
9999	31-20757	MINI MANUAL	1

Body Parts



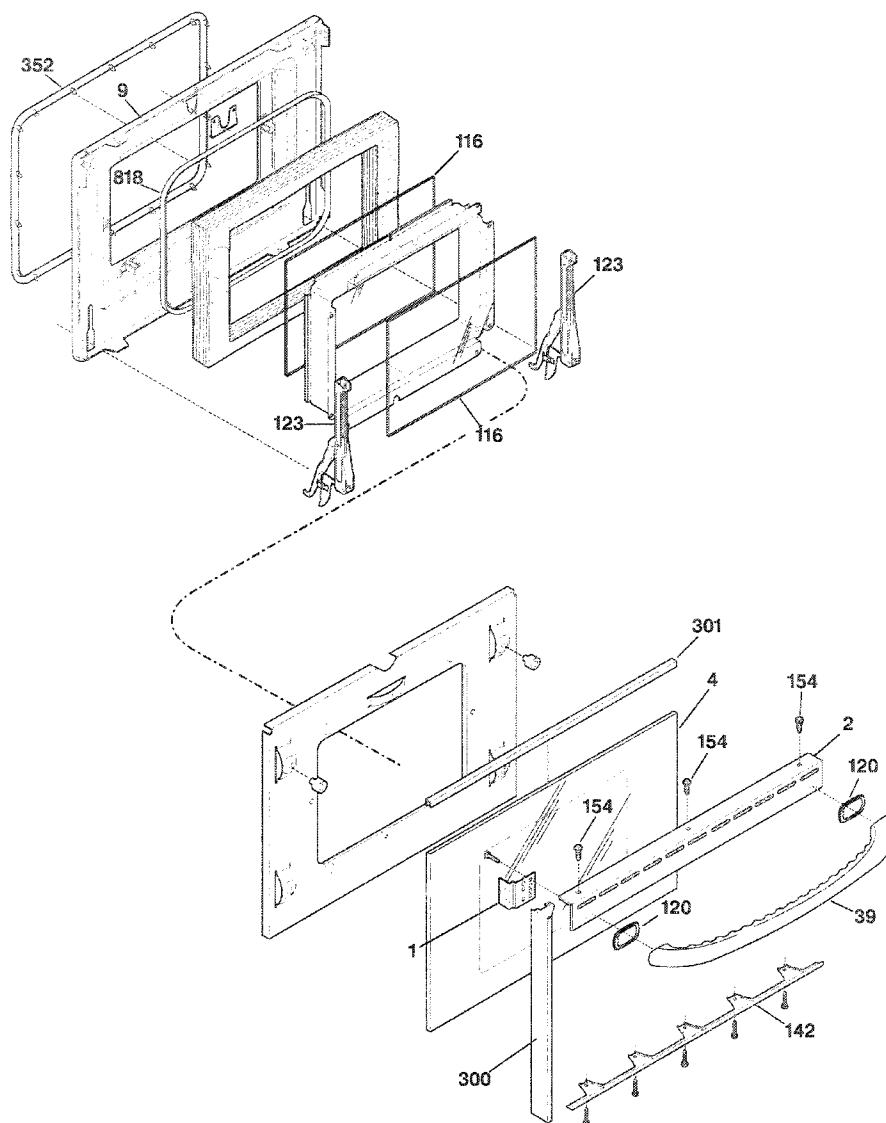
37	WB20X10012	PROBE OVEN TEMP	1	279	WB08X5091	RECEPT LAMP	1
76	WB63X10019	FRONT OVEN	1	280	WX12X1510	LAMP OVEN	1
83	WB53X10011	LINER OVEN	1	302	WB02X10616	RETNR LENS LG OV	1
85	WB02X8576	SPRING-OVEN	2	303	WB36X5799	GLASS OVEN LAMP	1
88	WB02X10614	ROD LATCH	1	456	WB07X10280	TRIM OVEN FRNT WH	1
89	WB26X10066	MOTOR LATCH ASM	1	523	WB02X85552	HSNG OVEN LIGHT	1
103	WB07X10281	TRIM BASE WH	1			LG WH	
108	WB26X10065	MOTOR FAN	1	528	WB48X5111	RACK, OVEN	1
114	WB02X4021	PLATE FILLER	1	529	WB49X5589	PAN BROILER LG OV	1
141	WB21X10047	THERMOSTAT	1	530	WB48X5590	RACK BROILER LG OV	1
177	WB02X10636	GASKET VENT	1	650	WB44X5104	BAKE UNIT 208/240V	1
268	WB02X8569	ADAPTOR VENT	1			LG OV	
		TUBE LG OV		651	WB44XX5105	BROIL UNIT 208/240V	1
272	WB02X10607	GROUND LUG	1			LG OV	
272	WB02X10606	BLOCK TERMINAL	1	652	WB02X10609	SUPT BROIL UNIT	1
275	WB49X10051	COVER WIRING	1			LG OV	
277	WB24X10023	SWITCH OVEN LIGHT	1	713	WB24X10046	SWITCH LATCH	1
		LG OV		2326	WB49X10047	SHEILD-HEAT LOWER	1

Cooktop



15	WB30K5032	SURF UNIT 2500W DUAL	1
16	WB62X10022	TOP MAIN & GLASS WH	1
51	WB25X10002	LITE IND HOT SURF	4
52	WB09X10011	SPRING SURF UNIT MTNG	4
56	WB02X10635	SPACER SURF UNIT	4
115	WB30K5031	SURF UNIT 2100W 8"	1
215	WB30K5033	SURF UNIT 1500W 6"	2

Door



1	WB02X10631	BRKT TRIM HANDLE	2
2	WB07X5476	TRIM OV DR HNDL WH	1
4	WB36X10137	GLASS OV DR WH	1
9	WB55X10302	LINER OV DOOR	1
39	WB15X5226	HANDLE DOOR WH	1
116	WB36X10138	GLASS OVEN DOOR INNER	2
120	WB02X10634	SPACER HNDL WH	2
123	WB10X10024	HINGE ASM OV DOOR	2
142	WB07X10287	TRIM OV DR LOWR WH	1
154	WB01X10094	SCREW 8-18x1/2 WH	3
300	WB07X10278	TRIM OVEN DOOR WH	25
301	WB07X10277	TRIM OCEN DOOR UPPER	1
352	WB02X10605	GASKET DOOR OVEN	1
818	WB02X10632	GASKET SEAL WINDOW	1