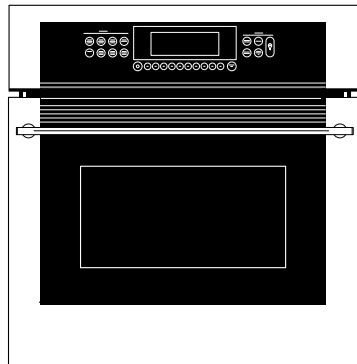




TECHNICAL SERVICE GUIDE

GE and Monogram 27-In. and 30-In. Wall Ovens



MODEL SERIES:

JCKSO6	JTC915
JCKP20	JT952
JCK915	JT955
JK915	JT965
JK955	JTP20
JKP20	JTP28
JKP28	JTP48
JKP48	JTP86
JKP86	ZEK938
JKS06	ZEK958
JT912	ZET938
JT915	ZET958





IMPORTANT SAFETY NOTICE

The information in this service guide is intended for use by individuals possessing adequate backgrounds of electrical, electronic, and mechanical experience. Any attempt to repair a major appliance may result in personal injury and property damage. The manufacturer or seller cannot be responsible for the interpretation of this information, nor can it assume any liability in connection with its use.

WARNING

To avoid personal injury, disconnect power before servicing this product. If electrical power is required for diagnosis or test purposes, disconnect the power immediately after performing the necessary checks.

RECONNECT ALL GROUNDING DEVICES

If grounding wires, screws, straps, clips, nuts, or washers used to complete a path to ground are removed for service, they must be returned to their original position and properly fastened.

GE Consumer Home Services Training
Technical Service Guide
Copyright © 2002

All rights reserved. This service guide may not be reproduced in whole or in part in any form without written permission from the General Electric Company.

Table of Contents

Introduction	3
Nomenclature	4
Warranty	5
Control Panel Features	6
Oven	17
Component Compartment Airflow	19
Control Panel	20
Control Voltage	21
Convection Bake Element and Fan Assembly	36
Door Assembly	17
Door Hinge Assemblies	19
Door Hinge Replacement	19
ERC Failure Codes	26
Electronic Oven Control System	20
Electronic Range Control (ERC)	20
Glass Touch Models Only	25
Key Panel Test	22
Lift-Off Oven Door	17
Lock Thermal Switch	35
Motorized Door Lock	34
Ohmmeter Test	23
Oven Calibration	33
Oven Circuits	32
Oven Door Gasket	18
Oven Sensor and Door Switch Ohmmeter Test	30
Oven Thermal Switch	35
Sensor and Lock Switch Connectors	31
Special Functions	30

Table of Contents

Microwave

Refer to **Pub # 31-9084**, pages 29 through 44, for microwave service information and warranty for these products.

Schematics and Wiring Diagrams

..... 37

Introduction

Model JKP48



Model JK915



Model ZET958



The new series of Built-In Electric Wall Ovens are offered in 27-inch and 30-inch models. They make an eloquent statement of style, convenience, and kitchen planning flexibility. In addition to the single oven and double oven models, a microwave-and-oven combination unit is available.

The Electronic Touch Controls are simple to understand and easy to operate. Just read and touch. It's easy to see how GE's fresh ideas can make anyone more creative in the kitchen!

The information on the following pages will help you service these new 27-inch and 30-inch Built-In Electric Wall Ovens effectively and efficiently.

Nomenclature

Model Number

J K P 8 6 C D 1 C C

GE Cooking Product
ZE = Monogram Electric

Configuration
K = 27-in. Wall Oven
T = 30-in. Wall Oven

Oven Type
P = Self Clean
S = Standard

Feature Pack
Designates features—the higher the number, the more features.

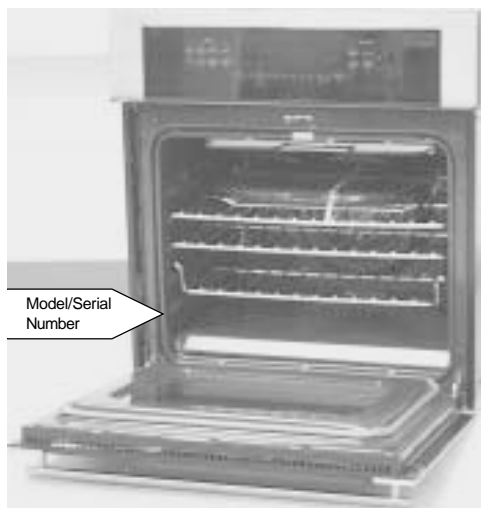
Product Color
CC = Bisque WW = White
BB = Black AA = Almond
SS = Stainless Steel

Indicator for Engineering and Product Service Only

Model Year Designator

Glass Color
C = Bisque W = White
B = Black A = Almond
S = Stainless Steel

Model ZEK938



The model/serial number tag of your built-in oven is located behind the door on the front frame. For the double ovens, the tag is located in the upper oven. In addition to the model and serial numbers, this plate shows the power ratings of the supply circuit for the oven.

Serial Number

The first two characters of the serial number identify the month and year of manufacture.
Example: **AA**123456S = January, 2001

A - JAN	2005 - H
D - FEB	2004 - G
F - MAR	2003 - F
G - APR	2002 - D
H - MAY	2001 - A
L - JUN	2000 - Z
M - JUL	1999 - V
R - AUG	1998 - T
S - SEP	1997 - S
T - OCT	1996 - R
V - NOV	1995 - M
Z - DEC	1994 - L

The letter designating the year repeats every 12 years.

Example:

T - 1974
T - 1986
T - 1998

Note: The technical sheet is located under the control panel.

Warranty

Built-In Electric Oven Warranty

For The Period Of:	GE Will Replace:
One Year <i>From the date of the original purchase</i>	Any part of the oven which fails due to a defect in materials or workmanship. During this full one-year warranty , GE will also provide, free of charge , all labor and in-home service to replace the defective part.

What GE Will Not Cover:

- Service trips to your home to teach you how to use the product.
- Improper installation.
- Failure of the product if it is abused, misused, or used for other than the intended purpose or used commercially.
- Replacement of house fuses or resetting of circuit breakers.
- Damage to the product caused by accident, fire, floods or acts of God.
- Incidental or consequential damage caused by possible defects with this appliance.

Microwave Cooking Center Warranty

For The Period Of:	GE Will Replace:
One Year <i>From the date of the original purchase</i>	Any part of the microwave cooking center which fails due to a defect in materials or workmanship. During this full one-year warranty , GE will also provide, free of charge , all labor and in-home service to replace the defective part.
Limited Additional Four Years <i>For the second through the fifth year from date of the original purchase</i>	A replacement magnetron tube if the magnetron tube fails because of a manufacturing defect. During this limited additional four-year warranty , you will be responsible for any labor or in-home service.

What GE Will Not Cover:

- Service trips to your home to teach you how to use the product.
- Improper installation.
- Failure of the product if it is abused, misused, or used for other than the intended purpose or used commercially.
- Replacement of house fuses or resetting of circuit breakers.
- Damage to the product caused by accident, fire, floods or acts of God.
- Incidental or consequential damage caused by possible defects with this appliance.

This warranty is extended to the original purchaser and any succeeding owner for products purchased for home use within the USA. In Alaska, the warranty excludes the cost of shipping or service calls to your home.

Some states do not allow the exclusion or limitation of incidental or consequential damages. This warranty gives you specific legal rights, and you may also have other rights which vary from state to state. To know what your legal rights are, consult your local or state consumer affairs office or your state's Attorney General.

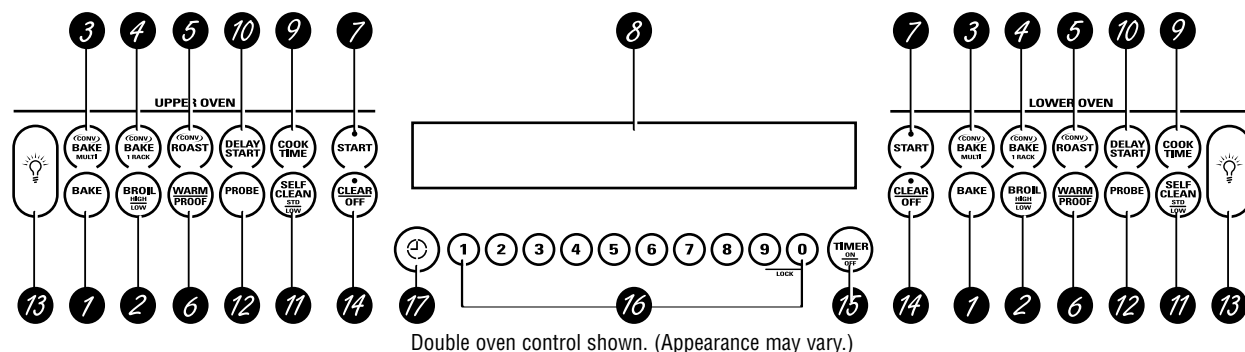
Warrantor: General Electric Company. Louisville, KY 40225

Control Panel Features

Oven Controls

Models ZEK938, ZEK958, ZET938, and ZET958

Throughout this manual, features and appearance may vary from your model.

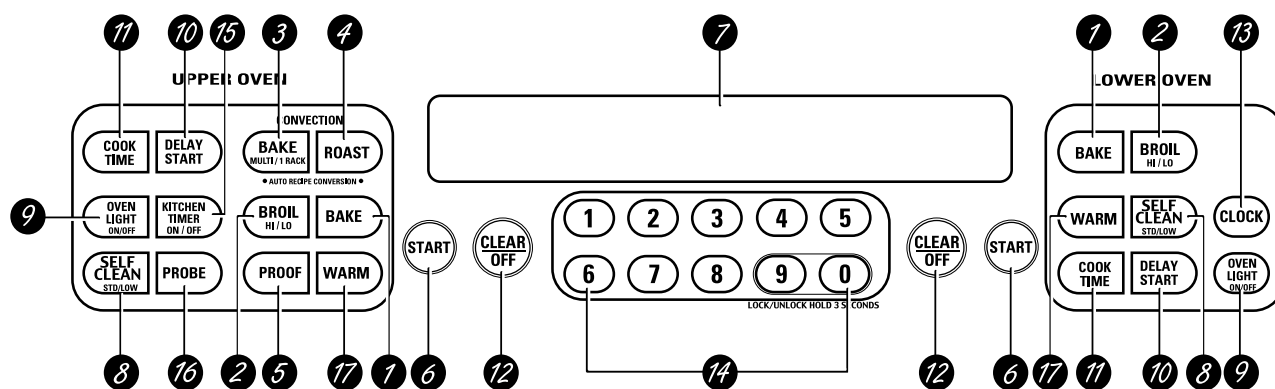


- 1 **BAKE.** Press to select the bake function.
- 2 **BROIL HIGH/LOW.** Press to select the broil function.
- 3 **CONV BAKE/MULTI.** Press to select baking with convection on multiple racks.
- 4 **CONV BAKE/1 RACK.** Press to select baking with convection on one rack.
- 5 **CONV ROAST.** Press to select roasting with convection.
- 6 **WARM/PROOF.** Press once for warming or twice for proofing. See the How to Set the Oven for Warming section and the How to Set the Oven for Proofing section.
- 7 **START.** Must be pressed to start any cooking or cleaning function.
- 8 **DISPLAY.** Shows the operations you have selected, the time of day and the cooking or cleaning status.
- 9 **COOK TIME.** Use for Timed Bake, Timed Convection Bake and Timed Convection Roast operations.
- 10 **DELAY START.** Use along with the **COOK TIME** or **SELF CLEAN STD/LOW** pads to set the oven to start and stop automatically at a time you select.
- 11 **SELF CLEAN STD/LOW.** Press to select the self-cleaning function. See the Using the Self-Cleaning Oven section.
- 12 **PROBE.** Press when using the probe to cook food.
- 13 **OVEN LIGHT ON/OFF.** Press to turn the oven lights on or off.
- 14 **CLEAR/OFF.** Press to cancel any oven operation except the clock and timer.
- 15 **TIMER ON/OFF.** Press to select the timer function. The timer does not control oven operations. The timer can time up to 9 hours and 59 minutes.
- 16 **NUMBER PADS.** Use to set any function requiring numbers—for example, the time of day on the clock, the timer, the oven temperature, the internal food temperature, the starting and length of cooking time for Timed Bake and the starting and length of cleaning time for Self-Clean.
- 17 **CLOCK.** Press to enter the time of day.

If “F – and a number or letter” flash in the display and the oven control signals, this indicates function error code. Press the **CLEAR/OFF** pad. Allow oven to cool for one hour. Put the oven back into operation. If function error code repeats, disconnect power to the oven

Oven Controls Models JK915, JK955, JT915, and JT955

Throughout this manual, features and appearance may vary from your model.



Double oven control shown.



Oven Control, Clock and Timer Features and Settings

- 1 BAKE Pad**
Press to select the bake function.
- 2 BROIL HI/LO Pad**
Press to select the broil function.
- 3 CONVECTION BAKE MULTI/1 RACK Pad**
Press *once* to select convection baking with multiple racks.
Press *twice* to select convection baking with one rack.
- 4 CONVECTION ROAST Pad**
Press to select roasting with the convection function.
- 5 PROOF Pad**
Press to select a warm environment useful for rising yeast-leavened products.
- 6 START Pad**
Must be pressed to start any cooking or cleaning function.
- 7 Display**
Shows the time of day, oven temperature, whether the oven is in the bake, broil or self-cleaning mode and the times set for the timer or automatic oven operations.
- 8 SELF CLEAN STD/LOW Pad**
Press to select self-cleaning function. See the *Using the self-cleaning oven* section.
- 9 OVEN LIGHT ON/OFF Pad**
Press to turn the oven light on or off.
- 10 DELAY START Pad**
Use along with **COOK TIME** or **SELF CLEAN STD/LOW** pads to set the oven to start and stop automatically at a time you set.
- 11 COOK TIME Pad**
Press and then press the number pads to set the amount of time you want your food to cook. The oven will shut off automatically when the cooking time has run out, unless the **WARM** feature was set.
- 12 CLEAR/OFF Pad**
Press to cancel **ALL** oven operations except the clock and timer.
- 13 CLOCK Pad**
Press before setting the clock.
- 14 Number Pads**
Use to set any function requiring numbers such as the time of day on the clock, the timer, the oven temperature, the internal food temperature, the start time and length of operation for timed baking and self-cleaning.
- 15 KITCHEN TIMER ON/OFF Pad**
Press to select the timer feature.
- 16 PROBE Pad**
Press when using the probe to cook food.
- 17 WARM Pad**
Press to keep cooked foods warm. See the *How to Set the Oven for Warming* section.

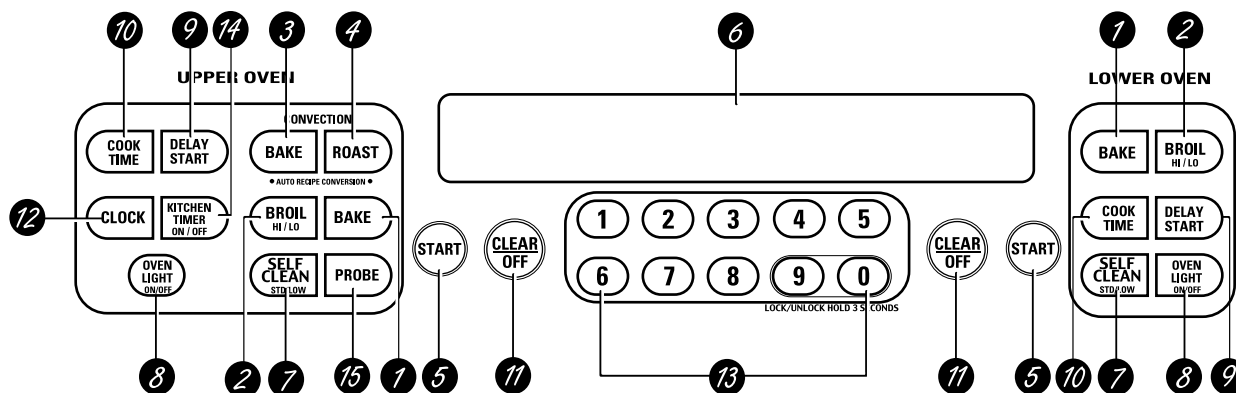
If "F- and a number or letter" flash in the display and the oven control signals, this indicates a function error code. Press the **CLEAR/OFF** pad. Allow the oven to cool for one hour. Put the oven back into operation. If the function error code repeats, disconnect the power to the oven.

If your oven was set for a timed oven operation and a power outage occurred, the clock and all programmed functions must be reset.

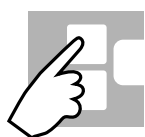
The time of day will flash in the display when there has been a power outage.

Oven Controls Models JT912 and JT952

Throughout this manual, features and appearance may vary from your model.



Double oven control shown.

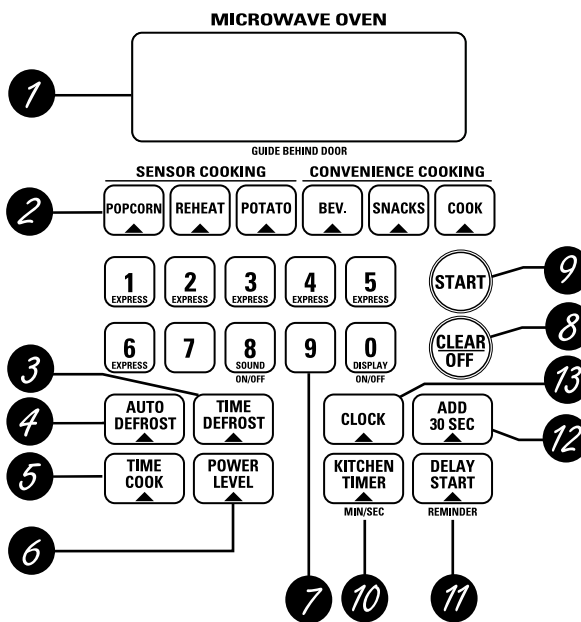
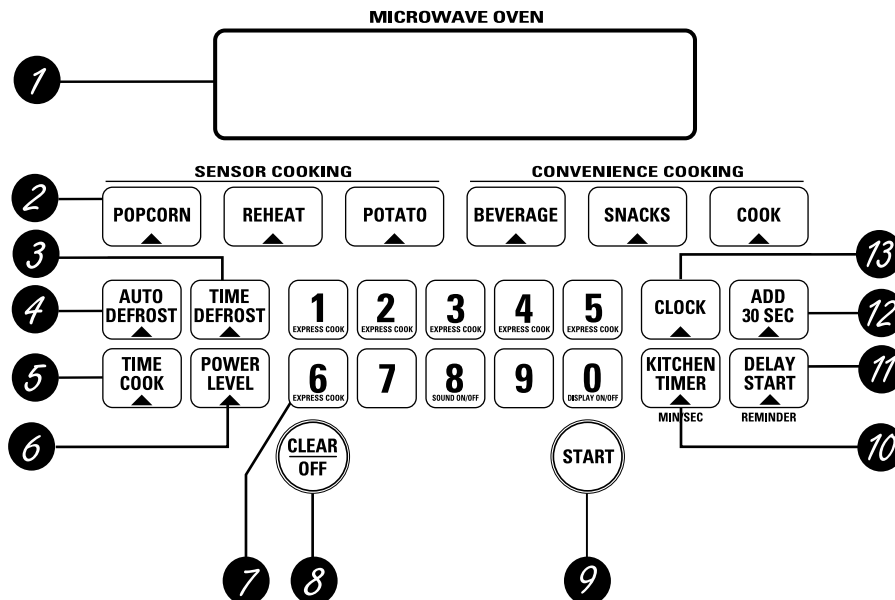


Oven Control, Clock and Timer Features and Settings

- 1 BAKE Pad**
Press to select the bake function.
 - 2 BROIL HI/LO Pad**
Press to select the broil function.
 - 3 CONVECTION BAKE Pad**
Press to select baking with the convection function.
 - 4 CONVECTION ROAST Pad**
Press to select roasting with the convection function.
 - 5 START Pad**
Must be pressed to start any cooking or cleaning function.
 - 6 Display**
Shows the time of day, oven temperature, whether the oven is in the bake, broil or self-cleaning mode and the times set for the timer or automatic oven operations.
- If “F– and a number or letter” flash in the display and the oven control signals, this indicates a function error code.** Press the **CLEAR/OFF** pad. Allow the oven to cool for one hour. Put the oven back into operation. If the function error code repeats, disconnect the power to the oven.
- If your oven was set for a timed oven operation and a power outage occurred, the clock and all programmed functions must be reset.**
- The time of day will flash in the display when there has been a power outage.**
- 7 SELF CLEAN STD/LOW Pad**
Press to select self-cleaning function. See the *Using the self-cleaning oven* section.
 - 8 OVEN LIGHT ON/OFF Pad**
Press to turn the oven light on or off.
 - 9 DELAY START Pad**
Use along with **COOKING TIME** or **SELF CLEAN STD/LOW** pads to set the oven to start and stop automatically at a time you set.
 - 10 COOK TIME Pad**
Press and then press the number pads to set the amount of time you want your food to cook. The oven will shut off automatically when the cooking time has run out, unless the Cook and Hold feature was set.
 - 11 CLEAR/OFF Pad**
Press to cancel **ALL** oven operations except the clock and timer.
 - 12 CLOCK Pad**
Press before setting the clock.
 - 13 Number Pads**
Use to set any function requiring numbers such as the time of day on the clock, the timer, the oven temperature, the internal food temperature, the start time and length of operation for timed baking and self-cleaning.
 - 14 KITCHEN TIMER ON/OFF Pad**
Press to select the timer feature.
 - 15 PROBE Pad**
Press when using the probe to cook food.

Microwave Oven Controls Models JKP86 and JTP86

Throughout this manual, features and appearance may vary from your model.



Note: The time on the microwave display is shown in minutes and seconds (1:30 is one minute, 30 seconds). On the lower oven, time is shown in hours and minutes (1:30 is one hour, 30 minutes).



Microwave Oven Control Features and Settings

- 1** **Display**

Displays the time during cooking functions, the power level being used, the Auto Codes, the Auto Defrost food weights, the cooking mode and instructions.

NOTE: The time on the microwave display is shown in minutes and seconds (1:30 is one minute, 30 seconds). On the lower oven, time is shown in hours and minutes (1:30 is one hour, 30 minutes).
- 2** **AUTO SENSOR AND CONVENIENCE CONTROLS**

The top row of pads lists specific items you may choose to heat or cook.

POPCORN
Use to pop popcorn.

REHEAT
Use when foods need a quick warm up.

POTATO
Use when cooking whole potatoes.

BEVERAGE
Use to heat a cup of coffee or other beverage.

SNACKS
Use to warm a variety of snack foods.

COOK
Use to automatically set the cooking times and power levels for a variety of foods.
- 3** **TIME DEFROST**

Use Time Defrost for most other foods.
- 4** **AUTO DEFROST**

Use Auto Defrost for meat, poultry and fish.
- 5** **TIME COOK**

Allows you to microwave for any time up to 99 minutes and 59 seconds.
- 6** **POWER LEVEL**

Press to choose the power level you want to set. Watch the display while pressing this pad to select the power level you want to set. You will also see a defrost level. This setting will allow you to choose your own defrost power level by using the number pads.
- 7** **Number Pads**

After pressing a function pad, press the number pads to set the exact amount of time you want to cook. For example, if you press the **1**, **2** and **5** pads, you have set 1 minute and 25 seconds.
- 8** **CLEAR/OFF**

Pressing the **CLEAR/OFF** pad cancels all microwave cooking functions. It does not cancel the Kitchen Timer.
- 9** **START**

After all selections are made, press this pad to start the oven. The **START** pad must be pressed to turn on any function.
- 10** **KITCHEN TIMER MIN/SEC**

Press to set the timer up to 99 minutes and 59 seconds. Press the number pads to set the time. Press the **KITCHEN TIMER MIN/SEC** pad again to start. Press the **KITCHEN TIMER MIN/SEC** pad twice to clear the display.

Does not turn on microwave energy.
- 11** **DELAY START**

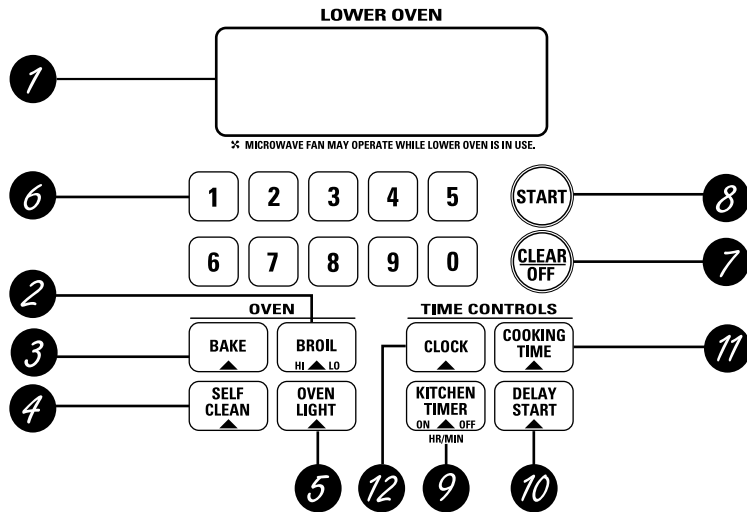
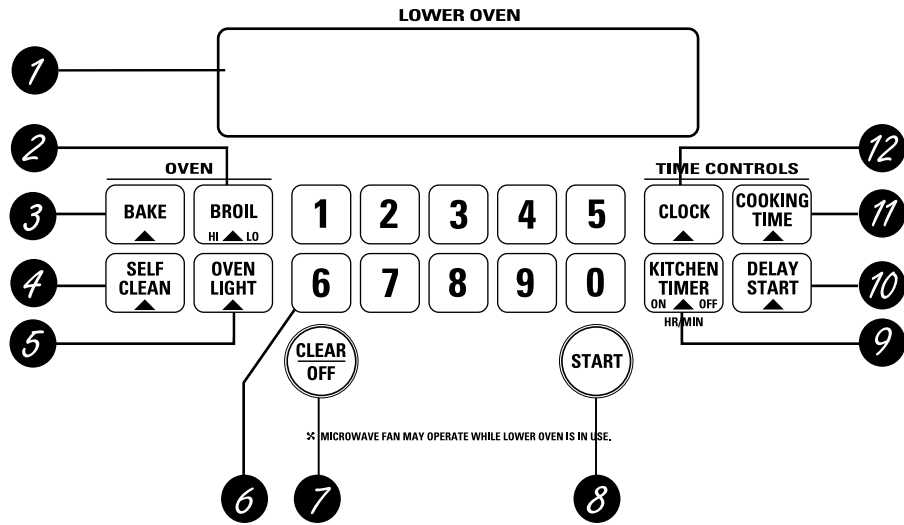
Allows you to set the microwave to delay cooking up to 12 hours.
- 12** **ADD 30 SEC**

Each time you press this pad the set time is increased 30 seconds.
- 13** **CLOCK**

Press this pad before setting the clock.

Lower Oven Controls Models JKP86 and JTP86

Throughout this manual, features and appearance may vary from your model.





Lower Oven Control, Clock and Timer Features and Settings

- 1** **Display**

Shows the time of day, oven temperature, whether the oven is in the bake, broil or self-cleaning mode and the times set for the timer or automatic oven operations.

NOTE: The time on the lower oven display is shown in hours and minutes (1:30 is one hour, 30 minutes). On the microwave oven, time is shown in minutes and seconds (1:30 is one minute, 30 seconds).

If “F– and a number or letter” flash in the display and the oven control signals, this indicates a function error code. Press the **CLEAR/OFF** pad. Allow the oven to cool for one hour. Put the oven back into operation. If the function error code repeats, disconnect the power to the oven.

If your oven was set for a timed oven operation and a power outage occurred, the clock and all programmed functions must be reset.

The time of day (may be incorrect) will flash in the display when there has been a power outage.
- 2** **BROIL HI/LO Pad**

Press to select the broil function.
- 3** **BAKE Pad**

Press to select the bake function.
- 4** **SELF CLEAN Pad**

Press to select the self-cleaning function. See the *Using the self-cleaning lower oven* section.
- 5** **OVEN LIGHT Pad**

Press to turn the oven light on or off.
- 6** **Number Pads**

Use to set any function requiring numbers such as the time of day on the clock, the timer, the oven temperature, the start time and length of operation for timed baking and self-cleaning.
- 7** **CLEAR/OFF Pad**

Press to cancel **ALL** oven operations except the clock and timer.
- 8** **START Pad**

Must be pressed to start any cooking or cleaning function.
- 9** **KITCHEN TIMER ON/OFF Pad**

Press to select the timer feature.
- 10** **DELAY START Pad**

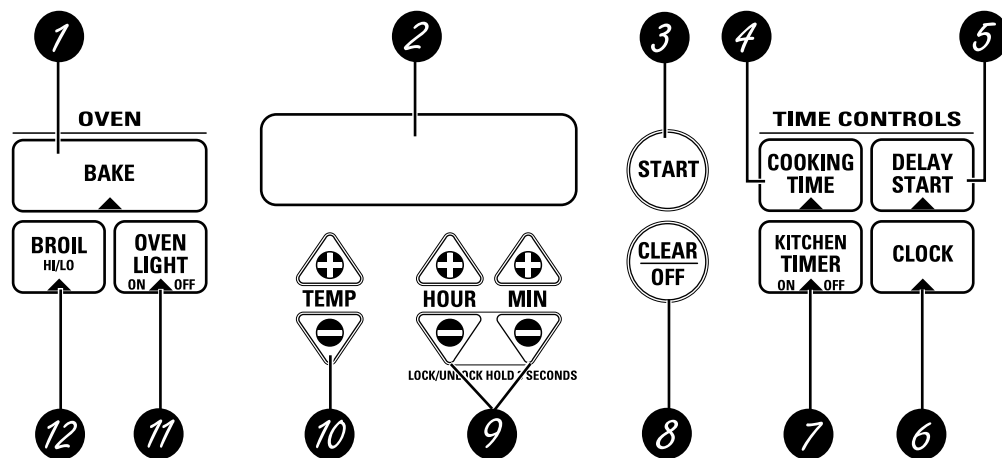
Use along with **COOKING TIME** or **SELF CLEAN** pads to set the oven to start and stop automatically at a time you set.
- 11** **COOKING TIME Pad**

Press and then press the number pads to set the amount of time you want your food to cook. The oven will shut off automatically when the cooking time has run out, unless the Cook and Hold feature was set.
- 12** **CLOCK Pad**

Press before setting the clock.

Oven Controls Model JKS06

Throughout this manual, features and appearance may vary from your model.



Oven Control, Clock and Timer Features and Settings

- 1** **BAKE Pad**
Press this pad to select the bake function.
- 2** **Display**
Shows the time of day, oven temperature, whether the oven is in the bake or broil mode and the times set for the timer or automatic oven operations.

If "F— and a number or letter" flash in the display and the oven control signals, this indicates a function error code. Press the **CLEAR/OFF** pad. Allow the oven to cool for one hour. Put the oven back into operation. If the function error code repeats, disconnect the power to the oven.

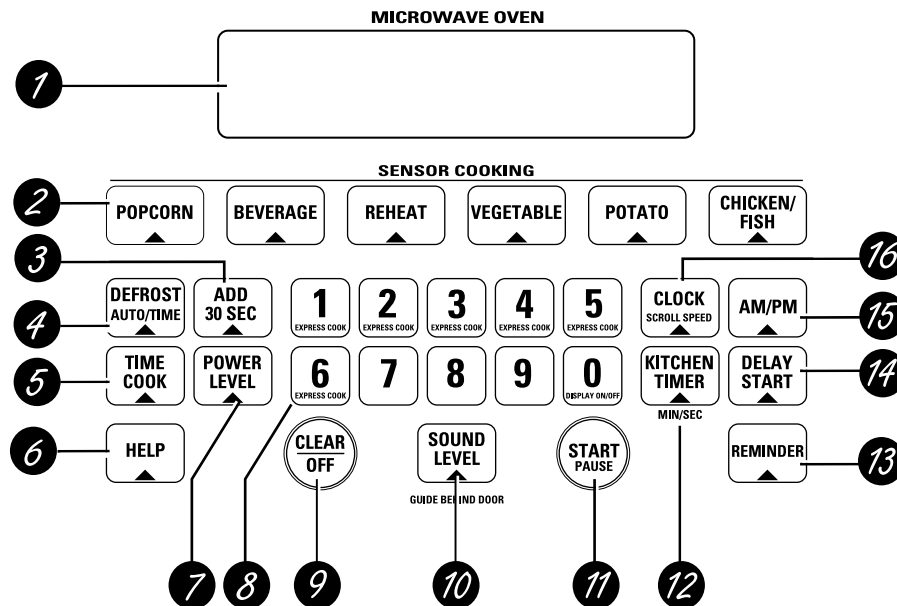
If your oven was set for a timed oven operation and a power outage occurred, the clock and all programmed functions must be reset.

The time of day will flash in the display when there has been a power outage.
- 3** **START Pad**
Must be pressed to start any cooking function.
- 4** **COOKING TIME Pad**
Press this pad and then press the **HOUR** and **MIN +** or **-** pads to set the amount of time you want your food to cook. The oven will shut off automatically when the cooking time has run out, unless the Cook and Hold feature was set.
- 5** **DELAY START Pad**
Use along with **COOKING TIME** pad to set the oven to start and stop automatically at a time you set.
- 6** **CLOCK Pad**
Press this pad before setting the clock.
- 7** **KITCHEN TIMER ON/OFF Pad**
Press this pad to select the timer feature.
- 8** **CLEAR/OFF Pad**
Press this pad to cancel **ALL** oven operations except the clock and timer.
- 9** **HOUR and MIN + and – Pads**
Press these pads to set times up to 9 hours and 59 minutes—for example, the time of day on the clock, the timer, the starting and length of cooking time for timed bake.
- 10** **TEMP + and – Pads**
Press these pads to set the cooking temperature you want to use.
- 11** **OVEN LIGHT ON/OFF Pad**
Press this pad to turn the oven light on or off.
- 12** **BROIL HI/LO Pad**
Press this pad to select the broil function.

Microwave Oven Controls

Model JT965

Throughout this manual, features and appearance may vary from your model.



Microwave Oven Control Features and Settings

- 1** **Display**
Displays the time during cooking functions, the power level being used, the Auto Codes, the Auto Defrost food weights, the cooking mode and instructions.

NOTE: The time on the microwave display is shown in minutes and seconds (1:30 is one minute, 30 seconds). On the lower oven, time is shown in hours and minutes (1:30 is one hour, 30 minutes).
- 2** **AUTO SENSOR CONTROLS**
The top row of pads lists specific items you may choose to heat or cook.

POPCORN
Use to pop popcorn.

BEVERAGE
Use to heat a cup of coffee or other beverage.

REHEAT
Use when foods need a quick warm up.

VEGETABLE
Use when cooking fresh, frozen or canned vegetables. Be sure to remove all vegetables from airtight and metal containers before placing them in the microwave.

POTATO
Use when cooking whole potatoes.

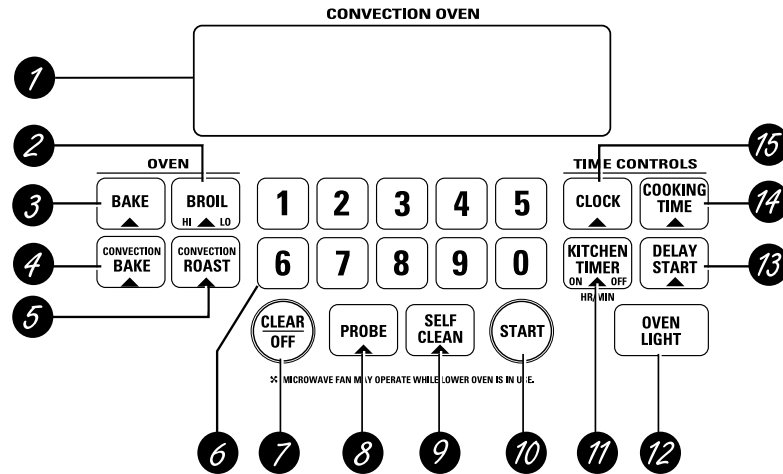
CHICKEN/FISH
Use when cooking chicken pieces or fish fillets.
- 3** **ADD 30 SEC**
Each time you press this pad the set time is increased 30 seconds.
- 4** **DEFROST AUTO/TIME**
The Defrost Auto/Time feature gives you two ways to defrost frozen foods. Press the **DEFROST AUTO/TIME** pad once for Auto Defrost or twice for Time Defrost.

Use Auto Defrost for meat, poultry and fish.

Use Time Defrost for most other foods.
- 5** **TIME COOK**
Allows you to microwave for any time up to 99 minutes and 99 seconds.
- 6** **HELP**
The help pad displays feature information and helpful hints. Press the **HELP** pad, then press a feature pad.

Lower Oven Controls Model JT965

Throughout this manual, features and appearance may vary from your model.



Lower Oven Control, Clock and Timer Features and Settings

- 1 Display**
Shows the time of day, oven temperature, whether the oven is in the bake, broil or self-cleaning mode and the times set for the timer or automatic oven operations.

NOTE: The time on the lower oven display is shown in hours and minutes (1:30 is one hour, 30 minutes). On the microwave, time is shown in minutes and seconds (1:30 is one minute, 30 seconds).

If "F- and a number or letter" flash in the display and the oven control signals, this indicates a function error code. Press the **CLEAR/OFF** pad. Allow the oven to cool for one hour. Put the oven back into operation. If the function error code repeats, disconnect the power to the oven and call for service.

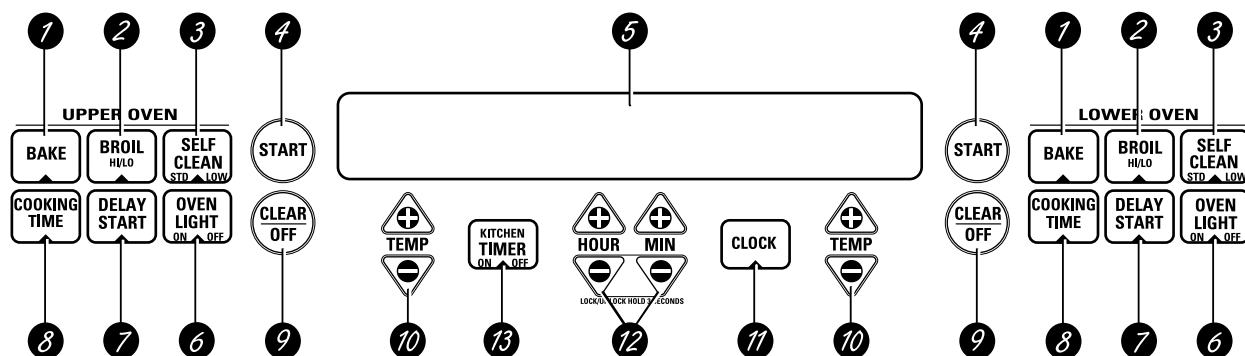
If your oven was set for a timed oven operation and a power outage occurred, the clock and all programmed functions must be reset.

The time of day (may be incorrect) will flash in the display when there has been a power outage.
- 2 BROIL HI/LO Pad**
Press to select the broil function.
- 3 BAKE Pad**
Press to select the bake function.
- 4 CONVECTION BAKE Pad**
Press to select baking with convection.
- 5 CONVECTION ROAST Pad**
Press to select roasting with convection.
- 6 Number Pads**
Use to set any function requiring numbers such as the time of day on the clock, the timer, the oven temperature, the internal food temperature, the start time and length of operation for timed baking and self-cleaning.
- 7 CLEAR/OFF Pad**
Press to cancel **ALL** oven operations except the clock and timer.
- 8 PROBE Pad**
Press when using the probe to cook food to the desired internal temperature. (For use in the lower oven only.)
- 9 SELF CLEAN Pad**
Press to select the self-cleaning function. See the *Using the self-cleaning lower oven* section.
- 10 START Pad**
Must be pressed to start any cooking or cleaning function.
- 11 KITCHEN TIMER ON/OFF Pad**
Press to select the timer feature.
- 12 OVEN LIGHT Pad**
Press to turn the oven light on or off.
- 13 DELAY START Pad**
Use along with **COOKING TIME** or **SELF CLEAN** pads to set the oven to start and stop automatically at a time you set.
- 14 COOKING TIME Pad**
Press and then press the number pads to set the amount of time you want your food to cook. The oven will shut off automatically when the cooking time has run out, unless the Cook and Hold feature was set.
- 15 CLOCK Pad**
Press before setting the clock.

Oven Controls

Models JKP20, JTP20, JKP28, JTP28, JKP48,

Throughout this manual, features and appearance may vary from your model.



Double oven control shown



Oven Control, Clock and Timer Features and Settings

- 1 BAKE Pad**
Press this pad to select the bake function.
- 2 BROIL HI/LO Pad**
Press this pad to select the broil function.
- 3 SELF CLEAN STD/LOW Pad**
Press this pad to select the self-cleaning function. See the *Using the self-cleaning oven* section.
- 4 START Pad**
Must be pressed to start any cooking or cleaning function.
- 5 Display**
Shows the time of day, oven temperature, whether the oven is in the bake, broil or self-cleaning mode and the times set for the timer or automatic oven operations.

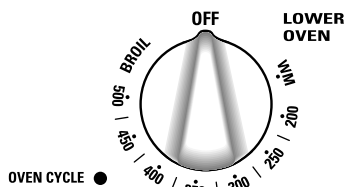
If "F— and a number or letter" flash in the display and the oven control signals, this indicates a function error code. Press the **CLEAR/OFF** pad. Allow the oven to cool for one hour. Put the oven back into operation. If the function error code repeats, disconnect the power to the oven

If your oven was set for a timed oven operation and a power outage occurred, the clock and all programmed functions must be reset.

The time of day will flash in the display when there has been a power outage.
- 6 OVEN LIGHT ON/OFF Pad**
Press this pad to turn the oven light on or off.
- 7 DELAY START Pad**
Use along with **COOKING TIME** or **SELF CLEAN** pads to set the oven to start and stop automatically at a time you set.
- 8 COOKING TIME Pad**
Press this pad and then press the **HOUR** and **MIN +** and **-** pads to set the amount of time you want your food to cook. The oven will shut off automatically when the cooking time has run out unless the Cook and Hold feature was set.
- 9 CLEAR/OFF Pad**
Press this pad to cancel **ALL** oven operations except the clock and timer.
- 10 TEMP + and - Pads**
Press these pads to set the cooking temperature you want to use.
- 11 CLOCK Pad**
Press this pad before setting the clock.
- 12 HOUR and MIN + and - Pads**
Press these pads to set times up to 9 hours and 59 minutes—for example, the time of day on the clock, the timer, the starting and length of cooking time for timed bake and the starting and length of cleaning time for self-clean.
- 13 KITCHEN TIMER ON/OFF Pad**
Press this pad to select the timer feature.

Lower Oven Control Settings on models with a knob

OVEN Knob
Turn this knob to the temperature setting you want.



The **OVEN CYCLE** light glows until the oven reaches your selected temperature, then goes off and on with the oven element(s) during cooking.

Oven

Lift-Off Oven Door

To remove the door:

1. Fully open the door.
2. Pull the hinge locks down toward the door frame, to the unlocked position. This may require a flat-blade screwdriver to start the hinge locks moving.
3. Firmly grasp both sides of the door at the top.
4. Close the door to the door removal position, which is halfway between the broil stop position and fully closed.

Caution: Do not lift the door by the handle.

5. Lift the door up and out until the hinge arm is clear of the slot.

To replace the door:

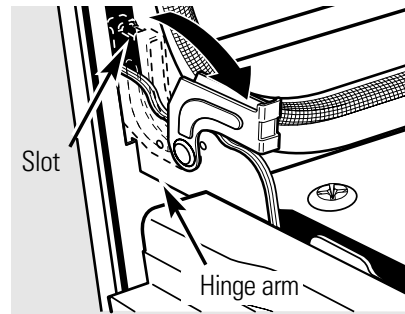
1. Firmly grasp both sides of the door at the top.
2. With the door at the same angle as the removal position, seat the indentation of the hinge arm into the bottom edge of the hinge slot. **The notch in the hinge arm must be fully seated into the bottom of the slot.**
3. Fully open the door. If the door cannot be fully opened, the hinge is not properly seated.
4. Push the hinge locks up against the front frame of the oven cavity, to the locked position.
5. Close the oven door and check for proper alignment (rubbing, etc.).

Door Assembly

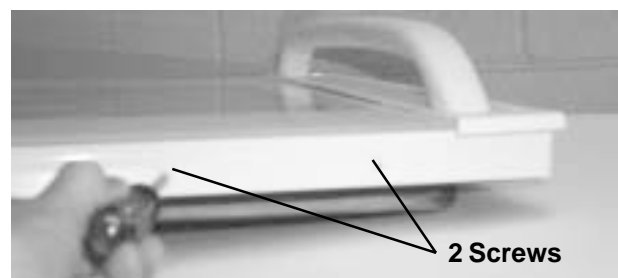
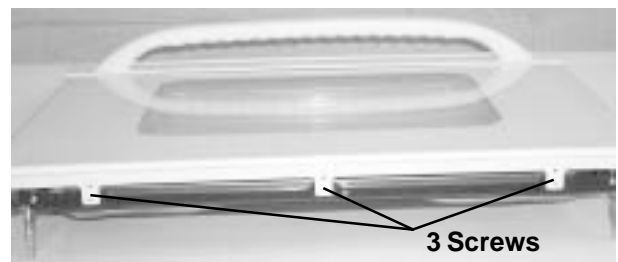
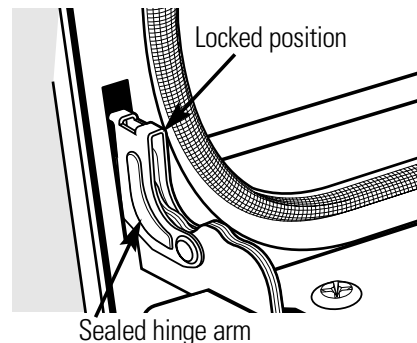
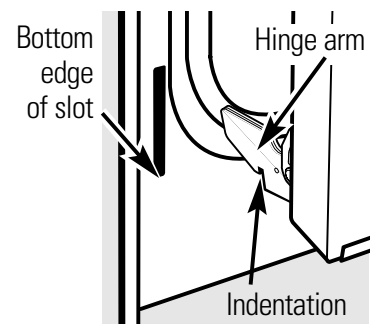
The door assembly can be broken down into 2 basic assemblies: 1) The outer assembly consists of the door handle, vent trim, outer glass, bottom trim, and frame and 2) The inner assembly is made up of the inner panel, gasket, 2 or 3 glass panels (depending on model), and insulation. The assemblies are held together by 2 screws on each side and 3 (or 4) screws across the bottom.

To replace outer door assembly:

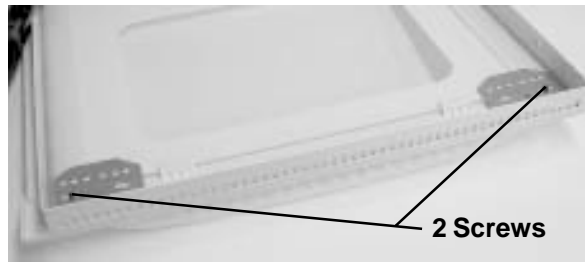
1. Remove the door. Refer to **Lift-Off Oven Door**.
2. Remove 3 (or 4) screws from the bottom door frame.



Hinge lock (unlocked position)

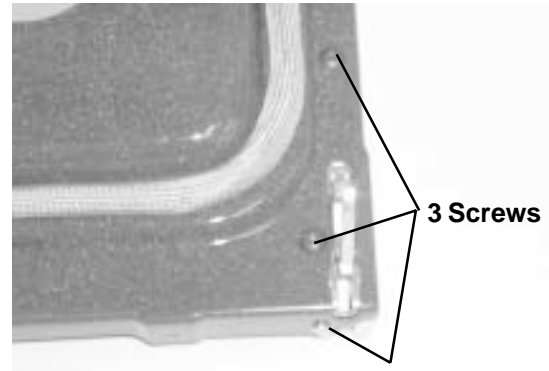


3. Remove 2 screws from each side of the door on the liner.
4. Separate the liner assembly and the outer glass assembly.
5. Remove 2 screws from the door handle near the door vent trim.
6. Reassemble in reverse order.



To replace liner assembly:

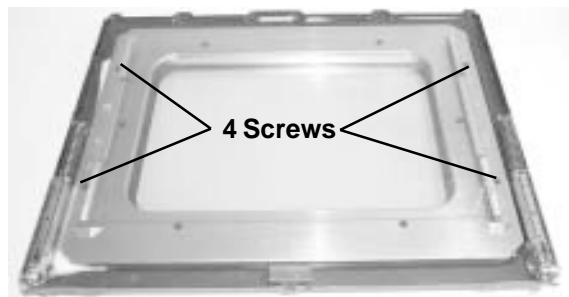
1. Remove 3 screws on each side of the door liner to remove the door hinge assembly.
2. Remove 4 screws from the insulation retainer.
3. Remove 6 screws and the insulation retainer. The window pack and window gasket are now accessible on units with a window door.



Caution: Care must be taken when mounting door handle not to overtighten screws. Overtightening screws can strip the threads in the plastic handle. **Hand-tighten ONLY.** Make sure handle fits snug to door panel.

Oven Door Gasket

The gasket forms a seal around the front edge of the oven liner and the inner door panel, except for approximately a 6-in. opening at the center bottom. The gasket is attached to the inner door panel by a chain of spring clips.



To remove door gasket:

1. Open the door completely.
2. Pull the end of the gasket out of the slots at the bottom of the door.
3. Finish removing the gasket by placing a finger under the gasket beside the clip and pulling straight up.



To install gasket:

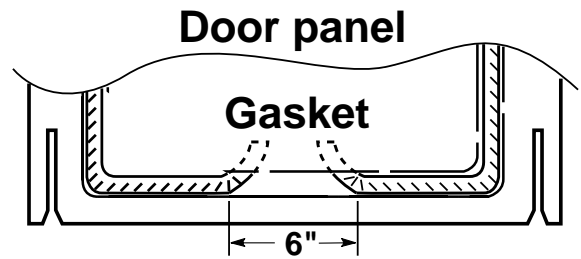
1. Locate the 2 clips on the gasket just right and left of center.

Note: The gasket will go on easier if folded 90 degrees at the clip being inserted.

2. Place a finger on top of the spring clip and press into the 2 center top holes in the inner door panel.



3. Continue this process all the way around the inner panel until all clips have been inserted.
4. With a small screwdriver, tuck the loose ends of the gasket into the slots at the center bottom of the door panel. **Be sure to leave a 6-in. gap in the gasket at the bottom of the door.**
5. After the gasket has been installed, wipe a finger around the outer perimeter of the gasket, pressing it up against the side of the inner panel. This will assure that the gasket is fully seated.

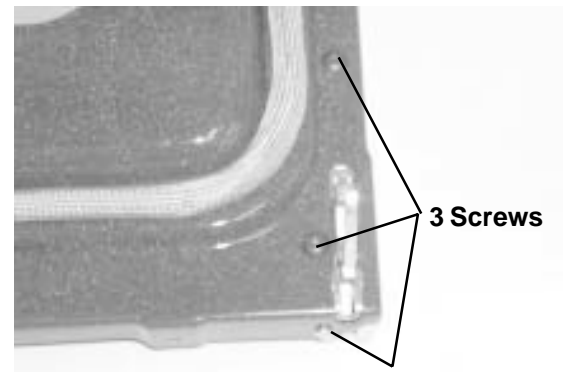
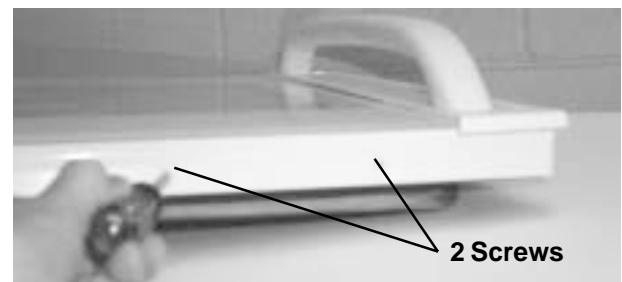
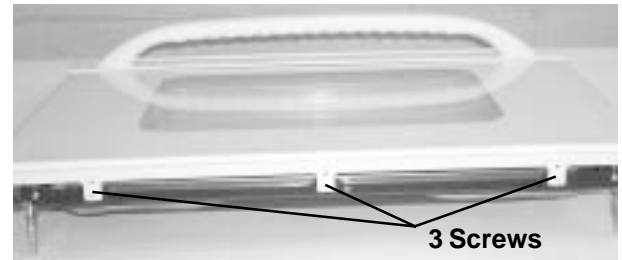


Door Hinge Assemblies

The door hinge comes as a complete assembly. For the hinges to operate properly, the hinge arms must be perpendicular to the door liner and parallel to each other with the door in the open position.

Door Hinge Replacement

1. Remove the door. Refer to **Lift-Off Oven Door**.
2. Remove 3 or 4 screws (depending on model) from the bottom door frame.
3. Remove 2 screws from each side of the door, and separate the door liner and the outer glass assembly.
4. Remove 3 or 4 screws (depending on model) from the door liner to remove each door hinge assembly.



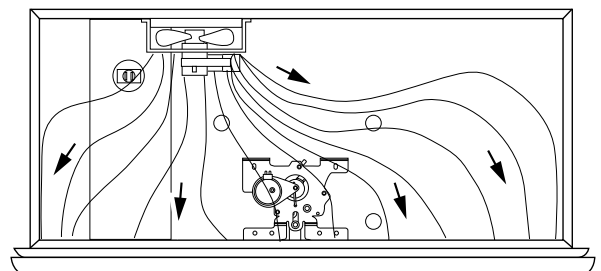
Note: When assembling, make sure the hinge arms are parallel to each other and perpendicular to the door liner. If not, the hinge may bind on the receiving channel of the door.

Note: If the new hinge is not in the cocked and locked position after installing, place the bottom of the door against a firm surface and push the hinge arm down to the cocked position. Pull the hinge lock back against the door liner surface to lock the hinge in this position.

Component Compartment Airflow

The component compartment contains a fan located on the rear wall of the compartment. Fan blades pull air in from the back of the unit, circulate it in the compartment area to cool the components, and exhaust it through the louvers below the control panel.

The fan turns ON when the START pad is depressed after selecting a cook mode. It turns OFF when the CLEAR/OFF pad is depressed or when the COOK TIME has ended.



Electronic Oven Control System

The Electronic Oven Control System consists of the electronic control (ERC), key panel, oven sensor, and door lock assembly.

Control Panel

There are 8 basic control panel assemblies. They can be found listed by model number in the Control Panel Features section on pages 6 through 16.

Control Panel Access

1. Disconnect the power and open the oven door.
2. Remove 3 screws from across the bottom of the control panel.
3. Push up on the control panel assembly to release the top catches.

Note: See special instructions for Glass Touch Models Only, page 25.

Electronic Range Control (ERC)

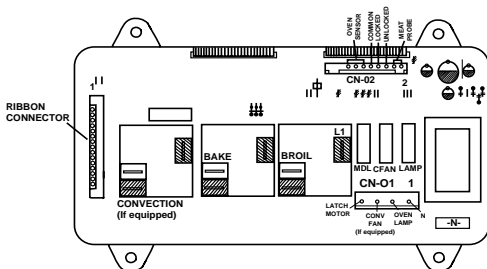
Caution: Components are electronically hot on ERC when voltage is connected to range.

Note: Temperature/Mode Selection is necessary for operation of relay contacts.

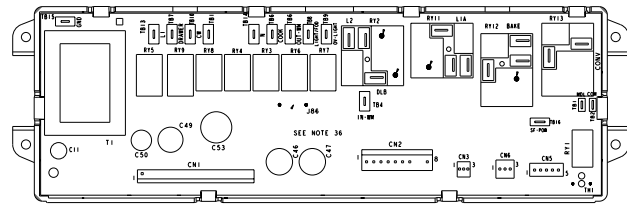
Note: Voltage must be present across terminals L1 to N for ERC to operate.

There are 7 basic ERC configurations (see illustrations). The ERC contains the bake and broil relays, convection relay (some models), control transformer, lock motor relay (some models), sensor, and lock motor connector (some models), along with a series of 1/4-in. terminals for connecting power to the control and heating units.

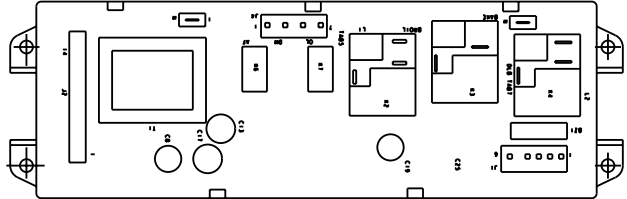
Models JT965 and JTP86



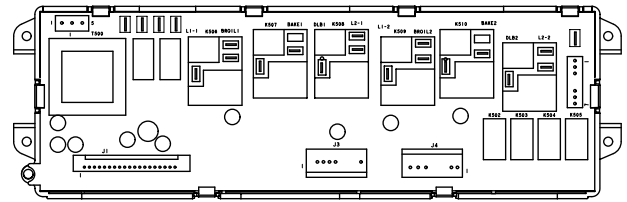
Models ZEK938, ZET938, JK915, JT915, JCK915, JCT915, and JT912



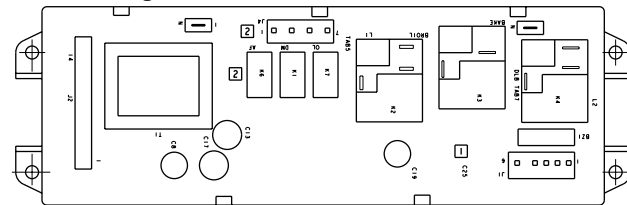
Models JKP20, JCKP20, JKS06, and JCKS06



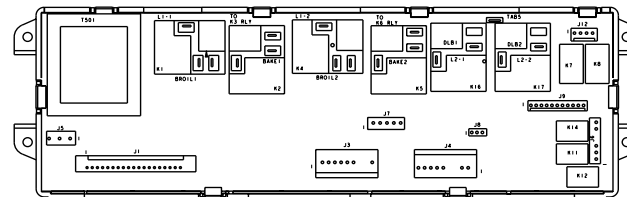
Models JKP48, and JTP48



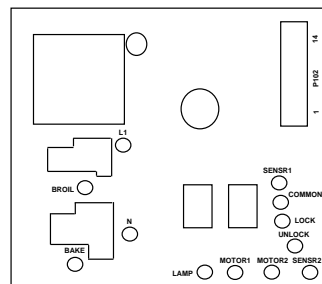
Models JPT20 and JKP28



Models ZEK958, ZET958, JK955, JT953, and JT955



Model JKP86



Models ZEK958, ZET958, JK955, JT952, and JT955 Daughter Board



Control Voltage

Models ZEK938, ZET938, JK915, JT915, JCK915, JCT915, and JT912

TERMINALS	VOLTAGE
L1-N	120 VAC ALL THE TIME
COM TO N	120 VAC ALL THE TIME
L1-L2	240 VAC ALL THE TIME
L1-BA, L1-BR, L1-CV	240 VAC oven on, not calling for heat. DLB relay K9 closed.
*LIGHT-L1	120 VOLTS when light is on.
COM TO MDL	120 VOLTS not locking or unlocking, door closed.
**L1-CF	120 VOLTS when oven door is closed, fan off.

Models JKP20, JCKP20, JKS06, and JCKS06

TERMINALS	VOLTAGE
L1A & B TO N	120 VAC ALL THE TIME
DLB TO BAKE DLB TO BROIL	240 VOLTS when oven is calling for heat (BAKE and BROIL relay contacts closed).
*OVL1-OVL2	120 VAC when light is off.
AUX1-N	120 VAC locking or unlocking.

Models JKP48 and JTP48

TERMINALS	VOLTAGE
L1-N	120 VAC ALL THE TIME
N to COM, COM 0,C	120 VAC ALL THE TIME
L1-1 & 2-BAKE 1 & 2 L1-1 & 2-BROIL 1 & 2 L1-1 & 2 CONV 1 & 2	240 VOLTS when oven is not calling for heat (BAKE, CONV. , & BROIL relay contacts open).
L1 to Con J6 Term, 1 & 3	120 VOLTS when light is on.
L1 TO MDL 1 & 2	120 VOLTS locking or unlocking
L1-to CON J6 Term 6	120 VOLTS when cooling fan is not running, 0 VOLTS when cooling fan is running.

Model JKP28

TERMINALS	VOLTAGE
L1 & B - N	120 VAC ALL THE TIME.
AUX1	120 VAC ALL THE TIME.
DLB TO BAKE DLB TO BROIL	240 VOLTS when oven is not calling for heat (BAKE and BROIL relay contacts open).
*OVL2-L1	120 VAC when light is on.
AUX2-N	120 VAC locking or unlocking.

Model JKP28

TERMINALS	VOLTAGE
L1-N	120 VAC ALL THE TIME
AUX1	120 VAC ALL THE TIME
DLB TO BAKE DLB TO BROIL	240 VOLTS when oven is not calling for heat (BAKE and BROIL relay contacts open).
J4 5 to 7	120 VAC when light is off.
AUX2 - N	120 VAC locking or unlocking.

Models ZEK958, ZET958, JK955, JT953, and JT955

TERMINALS	VOLTAGE
L1-N	120 VAC ALL THE TIME
N to COM, COM 0, C	120 VAC ALL THE TIME
L1-1 & 2-BAKE 1 & 2 L1-1 & 2-BROIL 1 & 2 L1-1 & 2 CONV 1 & 2	240 VOLTS when oven is not calling for heat (BAKE, CONV. , and BROIL relay contacts open).
*L1 to Con J6 Term, 1 & 3	120 VOLTS when light is on.
L1 TO MDL 1 & 2	120 VOLTS locking or unlocking.
**L1-to CON J6 Term 5 & 6 (See Conv. Fan Assy.)	120 VOLTS when oven door is closed and Conv. Bake, Conv. Roast not operating.

Model JKP86

TERMINALS	VOLTAGE
L1 TO N	120 VAC ALL THE TIME
L1 TO BAKE L1 TO BROIL	240 VOLTS when oven is not calling for heat (BAKE and BROIL relay contacts open).
*LAMP-L1	120 VAC when light is on.
MOTOR 1-MOTOR 2	120 VAC not locking or unlocking, door closed.

Models ZEK958, ZET958, JK955, JT953, and JT955

TERMINALS	VOLTAGE
L1-N (CN01-1)	120 VAC ALL THE TIME
L1 TO BAKE L1 TO BROIL L1 TO CONVECT	240 VOLTS when oven is not calling for heat (BAKE and BROIL relay contacts open).
*CN01-2 TO L1	120 VAC when light is on.
N TO CN01-4	120 VOLTS not locking or unlocking, door closed.
L1 TO CN01-3	120 VOLTS when oven door is closed, fan off.

*If oven light is not working, make the following checks:

- Check oven light bulb.
- Light is to come on when the door is opened—check voltage across light socket. Terminals should read 120 VAC. If 0 volts, check jamb switch and wiring.
- Light is to come on when control light pad is pressed. K11 or K12 should click. Check voltage from N to J6-3 (upper) or N to J6-1 (lower). Should read 120 VAC. If 0 volts, check oven light keypad using Ohmmeter Test. If keypad is good, replace the control.

**If convection fan not running, make the following checks:

- Check the voltage from terminal CN01-3 to N on control—it should read 120 V in Conv. Bake or Roast mode.
- If voltage OK, check convection fan motor. It should read approx. 15-20 Ω at room temp. Check to make sure the fan shaft is not rubbing on the oven liner.
- Check Door Switch.

Key Panel Test

The key panel (control panel) and Electronic Range Control (ERC) are separate components and must be tested individually.

The key panel is connected to the ERC by a ribbon connector. The ERC will sound a tone when any of the pads are depressed except for the +/- pads or number pads (unless another pad is pressed first).

To help isolate a problem to either the ERC or key panel, depress each pad on the key panel followed by the Clear / Off pad and observe the following:

- Bake, Broil, Clean, Timer, Clock, Convection, Warm, and Cook Time Pads - Audible tone plus display showing mode of operation selected.
- Clear / Off - Audible tone and display shows time of day.
- Oven Light - Oven light turns on - Audible tone and relay click.
- Temp, Hour, Min, +/- or Number Pads - No audible tone. Can only be used after another function pad has been selected.

If some of the pads work and some don't, the problem is probably with the key panel. To verify that the key panel is the problem for Membrane Control Models, check the connector for proper insertion of the ribbon cable and perform the Ohmmeter Test.

Note: See special instructions for Glass Touch Models Only, page 25.



Ohmmeter Test

Note: The Ohmmeter Test can be performed on **Membrane Control Models ONLY**. **Glass Touch Models** should read infinitely high resistance between ALL pins.

If some of the pads work and some don't, the problem is probably the key panel. To verify that the key panel is the problem, perform the Ohmmeter Test. If the ohmmeter reads infinite ohms when depressing the pad, or shows less than 1 MEG OHM without depressing the pad, the key panel is bad. The ohmmeter should read under 300 Ω when pressing a pad.

Set the ohmmeter on the scale that reads approximately 500 Ω. Connect leads to the ribbon cable as indicated in the chart for each function. Depress the function pad. Meter should read less than infinity ohms if the switch contact is working.

Note: See special instructions for Glass Touch Models, page 25.

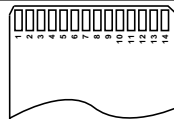
Note: Replacement touch pads come as part of the control panel.

Note: Conductors are not all on the same side.

Models JT912

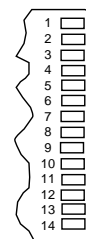
FUNCTION	HP DIGI MEMBRANE PINS
Bake	1 to 8
Broil	2 to 5
Clean	2 to 9
Oven Light	3 to 6
Cooking Time	2 to 8
Delay Start Time	1 to 6
Kitchen Timer	2 to 6
Clock	1 to 5
Clear/Off	2 to 11
Start	2 to 7
Conv. Bake	4 to 8
Conv. Roast	3 to 8
Probe	2 to 10
Proofing	1 to 10
Warm	1 to 9

FUNCTION	HP DIGI MEMBRANE PINS
1	3 to 9
2	4 to 9
3	3 to 11
4	4 to 11
5	4 to 6
6	3 to 7
7	4 to 7
8	3 to 10
9	4 to 10
0	4 to 5
Short	1 to 11 2 to 12

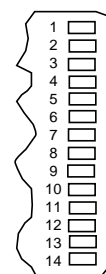


Model JKP28 and JTP28

FUNCTION	CONDUCTORS
BAKE	12 to 14
BROIL	11 to 14
CLEAN	9 to 14
OVEN LIGHT	9 to 13
COOKING TIME	11 to 13
DELAY START TIME	12 to 13
KITCHEN TIMER	10 to 14
CLOCK	10 to 13
CLEAR/OFF	3 to 4
START	1 to 2
UP TEMP	6 to 13
DN TEMP	6 to 14
UP HOUR	7 to 13
DN HOUR	7 to 14
UP MIN	8 to 13
DN MIN	8 to 14



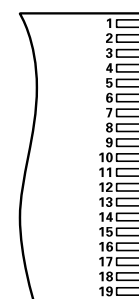
Models JKP20, JCKP20, and JTP20



Function	Conductors
Bake	12 to 14
Broil	11 to 14
Oven Light	9 to 13
Cooking Time	11 to 13
Delay Start Time	12 to 13
Kitchen Timer	10 to 14
Clock	10 to 13
Clear/Off	3 to 4
Clean	9 to 14
Start	1 to 2
Up Temp	6 to 13
Dn Temp	6 to 14

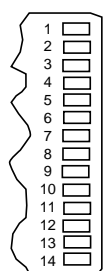
Up Hour	7 to 13
Dn Hour	7 to 14
UP Min	8 to 13
Dn Min	8 to 14

Model JKP48 and JTP48



FUNCTION	DD SLEW MEMBRANE UPPER PINS	DD SLEW MEMBRANE LOWER PINS
Bake	2 to 14	10 to 14
Broil	2 to 13	10 to 13
Clean	3 to 14	11 to 14
Oven Light	3 to 13	11 to 13
Cooking Time	1 to 13	9 to 13
Delay Start Time	1 to 14	9 to 14
Kitchen Timer	4 to 13	-----
Clock	4 to 14	-----
Clear/Off	15 to 19	17 to 19
Start	16 to 19	18 to 19
Up Temp	6 to 14	8 to 14
Dn Temp	5 to 14	8 to 12
Up Hour	6 to 13	-----
Dn Hour	5 to 13	-----
UP Min	6 to 12	-----
Dn Min	5 to 12	-----
Short	7 to 12	

Models JKS06 and JCKS06



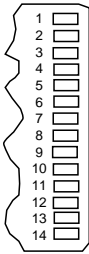
Function	Conductors
Bake	12 to 14
Broil	11 to 14
Oven Light	9 to 13
Cooking Time	11 to 13
Delay Start Time	12 to 13
Kitchen Timer	10 to 14
Clock	10 to 13
Clear/Off	3 to 4
Start	1 to 2
Up Temp	6 to 13
Dn Temp	6 to 14

Up Hour	7 to 13
Dn Hour	7 to 14
UP Min	8 to 13
Dn Min	8 to 14

Ohmmeter Test *continued*

Model JKP86

NOTE: Replacement touch pads come as part of the Control panel.



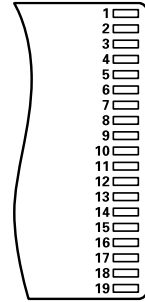
Function	Pins
Bake	11 to 13
Broil	10 to 13
Oven Light	11 to 14
Cooking Time	12 to 10
Delay Start Time	11 to 12
Kitchen Timer	9 to 13
Clock	9 to 12
Clear/Off	3 to 4

Start	1 to 2
1	14 to 9
2	8 to 14
3	5 to 13
4	5 to 12
5	6 to 13
6	6 to 12
7	7 to 14
8	7 to 12
9	7 to 13
0	10 to 14

Model JT952

FUNCTION	UPPER OVEN	LOWER OVEN
	CONDUCTOR	CONDUCTOR
BAKE	5-10	4-8
BROIL	4-10	3-9
CONV. BAKE	6-10	—
CONV. ROAST	2-11	—
COOKING TIME	5-11	3-8
DELAY START TIME	1-10	1-9
CLEAN	3-11	2-8
OVEN LIGHT	1-11	6-9
START	2-10	2-9
CLEAR	2-13	5-14

COMMON FUNCTIONS			
Timer	2-12	5	6-13
Clock	4-11	6	4-9
1	3-13	7	5-9
2	4-12	8	6-12
3	5-12	9	3-12
4	4-13	0	5-13
Short	1-13	Digit pad type only	
	7-5		
	2-14		

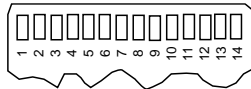


NOTE: Conductors are on either side but not on both.

Models JT965 and JTP86

FUNCTION	CONDUCTORS
BAKE	3 to 4
BROIL	1 to 4
CLEAN	2 to 11
OVEN LIGHT	1 to 11
COOKING TIME	1 to 10
DELAY START TIME	3 to 10
KITCHEN TIMER	1 to 9
CLOCK	3 to 9
CLEAR/OFF	13 to 14
START	12 to 14

FUNCTION	CONDUCTORS
PROBE	3 to 11
1	3 to 6
2	3 to 5
3	3 to 8
4	3 to 7
5	1 to 6
6	1 to 5
7	1 to 8
8	2 to 6
9	2 to 5
0	2 to 8



Glass Touch Models ONLY

Touch Control

Check the touch control panel for delamination to make sure the touch board is not separating from the glass. Next, check to **make sure the resistance is infinitely high between ALL pins**. Any impedance implies a faulty touch control.

Attention: The new glass touch models maintain a constant exchange of information between the touch control and the main board through a ribbon cable. These signals have an upper and lower value limit for the ERC to interpret them correctly. Any interruption to this connection will break the continuity, and possibly push the parameters outside the limits. This will issue an F0 fault code, and cause the controls to **not** function.

When any service is performed that requires moving, or removing, the touch control or main board, the glass touch parameters must be set.

Setting Touch Control Parameters

Note: After installing the control, the glass touch parameters **must** be set. **If they are not set, the control will not operate.**

To set these parameters on a new part installation:

- 1) Reassemble the control panel and return the oven to its normal installation.
- 2) Reset circuit breaker to apply power to the oven. The control will briefly display all LED segments, briefly display "LOC REF," then display all segments again for 30 seconds, and finally display "LOC REF" continuously. After this sequence is completed, proceed to step 3.
- 3) For digital keypads, press the "6" and "8" keys simultaneously.
For slew keypads, press the "Hour Down" and "Minute Up" keys simultaneously.
- 4) The control will then display the time of day and operate.

Steps to Follow if the Control IS Replaced			
Step	Key presses (Digi-pad)	Key presses (Slew-pad)	Action
3	6 & 8	Hour Down & Minute Up	Acknowledge LOCK REF

- 5) If steps 2 through 4 do not occur as described, repeat the process.
- 6) Check the control for operation, especially the "Clear/Off" and/or "Cancel" keys.

Note: If for any reason the control panel is opened, or if the new control still does not operate as described above, complete the following steps:

- 1) Press the "Bake" and "Broil" keys simultaneously.
- 2) For digital keypads, press the "9" and "0" keys simultaneously for 5 seconds.
For slew keypads, press the "Hour Down" and "Minute Down" keys simultaneously for 5 seconds.
- 3) Wait approximately 20 seconds after the time of day is displayed.
- 4) For digital keypads, press the "1" and "5" keys simultaneously.
For slew keypads, press the "Temp Up" and "Minute Up" keys simultaneously.
- 5) The control will briefly go blank, briefly display all LED segments, briefly display "LOC REF," then display all segments for 30 seconds, and finally display "LOC REF."
- 6) For digital keypads, press the "6" and "8" keys simultaneously.
For slew keypads, press the "Hour Down" and "Minute Up" keys simultaneously.
- 7) The control will then display the time of day and operate.
- 8) Check the control for operation, especially the "Clear/Off" and/or "Cancel" keys.

Steps to Follow if the Control NOT Replaced			
Step	Key presses (Digi-pad)	Key presses (Slew-pad)	Action
1	Bake & Broil	Bake & Broil	Enter SF
2	9 & 0	Hour Down & Minute Down	Reset Control
4	1 & 5	Temp Up & Minute Up	Reset LOCK REF
6	6 & 8	Hour Down & Minute Up	Acknowledge LOCK REF

ERC Failure Codes

The oven may stop operating but not give an F-code on the display immediately. F-codes are stored in nonvolatile EEPROM. After 2 identical faults occur consecutively, most F-codes will be displayed (some are never displayed). If displayed,

they can be recalled by pressing together:

1. TIMER, 2. CLOCK, and 3. MIN DOWN (or 9). While displayed, pressing MIN UP or 8 and HR DOWN or 6 together will clear them. A fault must exist continuously for 5 minutes before an F-code is recorded (F2, F8 are sooner).

Models JKP28, JTP28, JKS06, JCKS06, JKP20, JCKP20, and JTP20

FAILURE CODE	MEANING	CORRECTION
F0	Shorted OFF key	Determine if problem is with Key Panel or Control by disconnecting ribbon cable and measuring flat cable 3 to 4. Should be to probe side with conductor. Should be 125–1750 ohms while pressing OFF key.
F2	Oven temperature inside oven cavity as measured by sensor over 650°F unlatched or 915°F latched	<ul style="list-style-type: none"> • Welded relay contacts • Airflow to rear of unit • High resistance in oven sensor leads/connectors (especially at sensor in rear)
F3	Open oven sensor (over 3000 ohms)	<ul style="list-style-type: none"> • Disconnect power. Disconnect sensor harness from control. Measure sensor resistance (white leads) to be ~1080 ohms at room temperature with 2 ohms per deg change. • Look for damaged harness terminals if not a bad sensor.
F4	Shorted oven sensor (under 950 ohms)	<ul style="list-style-type: none"> • Disconnect power. Disconnect sensor harness from control. Measure sensor resistance (white leads) to be ~1080 ohms at room temperature with 2 ohms per deg change. • Separate sensor from harness to determine fault.
F5	Sensor Circuit supervisor failure	Replace Control.
F7	Shorted matrix or START key	Determine if problem is with Key Panel or Control by disconnecting flat cable and measuring cable pins using pinout chart. Allow up to 1000 ohms when pressing a key.
F8	EEPROM data shift failure	If repeated, replace control.
F9	Cooling fan stall or other cause of open thermal switches in yellow or blue latch leads	Suspect cooling fan (between ovens) or airflow.

Models JCK915, JCT915, JK915, JT915, JK955, JT955, ZEK938, ZET938, ZEK958, and ZET958

FAILURE CODE	MEANING	CORRECTION
F0	Shorted OFF key	
F2	Oven temperature Inside oven cavity as measured by sensor over 650°F unlatched or 915°F latched	<ul style="list-style-type: none"> • Welded relay contacts • Cooling fan stalled or blocked • Airflow to rear of unit • High resistance in oven sensor leads/connectors (especially at sensor in rear)
F3	Open oven sensor (Over 2900 ohms)	<ul style="list-style-type: none"> • Disconnect power. Disconnect sensor harness from control. Measure sensor resistance (white leads) to be ~1080 ohms at room temperature with 2 ohms per degree change. • Look for damaged harness terminals if not a bad sensor.
F4	Shorted oven sensor (under 950 ohms)	<ul style="list-style-type: none"> • Disconnect power. Disconnect sensor harness from control. Measure sensor resistance (white leads) to be ~1080 ohms at room temperature with 2 ohms per degree change. • Separate sensor from harness to determine fault.
F5	Sensor circuit supervisor failure	Replace control.
F7	Shorted matrix or START key	Determine if problem is with Key Panel or Control by disconnecting ribbon cable and power up control. If no F code, problem is with key circuit.
F8	EEPROM data shift failure	If repeated, replace control.
F9	Cooling fan stalls while oven above 650°F—open thermal switch in yellow or blue latch leads.	Cooling fan or airflow to control area.

Model JT912

FAILURE CODE	MEANING	CORRECTION
-F0-	Shorted OFF key or open short.	Determine if problem is with Key Panel or Control by disconnecting ribbon cable and measuring flat cable pins 2 - 11. Should be open. Should be <300 Ω while pressing OFF key.
-F2-	Over temperature 1. Inside oven cavity as measured by sensor over 650°F unlatched or 915°F latched, or 2. Cooling fan stalls while oven above 650°F—open thermal switch in yellow leads	<ul style="list-style-type: none"> • Welded relay contacts • Cooling fan stalled or blocked • Airflow to rear of unit • High resistance in oven sensor leads/connectors (especially at sensor in rear)
-F3-	Open oven sensor (over 2900 ohms)	<ul style="list-style-type: none"> • Disconnect power. Disconnect sensor harness from control. Measure sensor resistance (white leads) to be -1080 ohms at room temperature with 2 ohms per degree change. • Look for damage harness terminals if not a bad sensor.
-F4-	Shorted oven sensor (under 950 ohms)	<ul style="list-style-type: none"> • Disconnect power. Disconnect sensor harness from control. Measure sensor resistance (white leads) to be -1080 ohms at room temperature with 2 ohms per degree change. • Separate sensor from harness to determine fault.
-F7-	Shorted matrix or START key	Determine if problem is with Key Panel or Control by disconnecting ribbon cable and measuring flat cable using pinout chart. Allow up to 1000 ohms when pressing a key.
-F8-	EEPROM data shift failure	If repeated, replace control.
-F9-	Cooling fan stalls while oven above 650°F—open thermal switch in yellow or blue leads.	Cooling fan or airflow to control area.
-FF-	Loss of latch motor safety circuit	Replace control.

Model JT952

FAILURE CODE	MEANING	CORRECTION
-F0-	Shorted OFF key or open short.	Determine if problem is with Key Panel or Control by disconnecting ribbon cable and measuring flat cable pins 5 - 14. Should be open. Should be <300 Ω while pressing OFF key.
-F2-	Over temperature 1. Inside oven cavity as measured by sensor over 650°F unlatched or 915°F latched, or 2. Cooling fan stalls while oven above 650°F—open thermal switch in yellow leads	<ul style="list-style-type: none"> • Welded relay contacts • Cooling fan stalled or blocked • Airflow to rear of unit • High resistance in oven sensor leads/ connectors (especially at sensor in rear)
-F3-	Open oven sensor (over 2900 ohms)	<ul style="list-style-type: none"> • Disconnect power. Disconnect sensor harness from control. Measure sensor resistance (white leads) to be -1080 ohms at room temperature with 2 ohms per degree change. • Look for damage harness terminals if not a bad sensor.
-F4-	Shorted oven sensor (under 950 ohms)	<ul style="list-style-type: none"> • Disconnect power. Disconnect sensor harness from control. Measure sensor resistance (white leads) to be -1080 ohms at room temperature with 2 ohms per degree change. • Separate sensor from harness to determine fault.
-F7-	Shorted matrix or START key	Determine if problem is with Key Panel or Control by disconnecting ribbon cable and measuring flat cable using pinout chart. Allow up to 1000 ohms when pressing a key.
-F8-	EEPROM data shift failure	If repeated, replace control.
-F9-	Cooling fan stalls while oven above 650°F—open thermal switch in yellow or blue leads.	Cooling fan or airflow to control area.
-FF-	Loss of latch motor safety circuit	Replace control.

Models JT965 and JTP86

FAILURE CODE	MEANING	CORRECTION
-F0-	Shorted OFF key or open short.	Determine if problem is with Key Panel or Control by disconnecting ribbon cable and measuring flat cable pins 13-14. Should be open. Should be <300 Ω while pressing OFF key.
-F2-	Over temperature 1. Inside oven cavity as measured by sensor over 650°F unlatched or 915°F latched, or 2. Cooling fan stalls while oven above 650°F—open thermal switch in yellow leads	<ul style="list-style-type: none"> • Welded relay contacts • Cooling fan stalled or blocked • Airflow to rear of unit • High resistance in oven sensor leads/ connectors (especially at sensor in rear)
-F3-	Open oven sensor (over 2900 ohms)	<ul style="list-style-type: none"> • Disconnect power. Disconnect sensor harness from control. Measure sensor resistance (white leads) to be -1080 ohms at room temperature with 2 ohms per degree change. • Look for damage harness terminals if not a bad sensor.
-F4-	Shorted oven sensor (under 950 ohms)	<ul style="list-style-type: none"> • Disconnect power. Disconnect sensor harness from control. Measure sensor resistance (white leads) to be -1080 ohms at room temperature with 2 ohms per degree change. • Separate sensor from harness to determine fault.
-F7-	Shorted matrix or START key	Determine if problem is with Key Panel or Control by disconnecting ribbon cable and measuring flat cable using pinout chart. Allow up to 1000 ohms when pressing a key.
-F8-	EEPROM data shift failure	If repeated, replace control.
-F9-	Cooling fan stalls while oven above 650°F—open thermal switch in yellow or blue leads.	Cooling fan or airflow to control area.
-FF-	Loss of latch motor safety circuit	Replace control.

Model JKP86

FAILURE CODE	MEANING	CORRECTION
-F0- -F7-	Stuck key pad may mean relay is turned on.	Determine if problem is with the Key Panel or Control by: 1. Pushing CLEAR/OFF pad, 2. Disconnecting Ribbon Cable from control and waiting at least 3 minutes to see if Code recurs. • If code recurs, problem is in the control. Replace control. • If code does not recur, problem is with the Key Panel.
-F2-	Indicates that oven is over temperature in one of the following modes within either a cooking or clean mode of operation. • Control senses oven temperature above 615°F with the door circuit in the unlock mode. • Control senses oven temperature above 915°F with the door in the door locked mode.	<ul style="list-style-type: none"> Look for welded relay contacts. (Heating elements on in off mode.) Look for high resistance in the sensor circuit due to high contact resistance (poor terminal crimp, deformed terminals, loose connection inside sensor tube) or intermittent solder joint. Electrical noise interference in the sensor circuit (ham radio, cordless phone, etc.).
-F3- -F4-	Open or shorted sensor (circuit). Could be a result of contamination on terminals or pinched wire in sensor circuit, cold solder joint on control.	<ul style="list-style-type: none"> Disconnect power to range. Disconnect sensor connector from control. Measure sensor resistance at control connector (take care not to damage terminals). Should read 1100Ω at room ambient (approx. 72°F). Measure each sensor lead from connector block to ground. If shorted, look for pinched or cut wire in sensor circuit. Check connector terminals – Look for deformed or corrosion on terminals. Repair or replace. If all above is OK, replace control.
-FF-	Loss of door motor safety circuit.	Replace control.

Models JTP48 and JKP48

FAILURE CODE	MEANING	CORRECTION
F0	Shorted OFF key	Determine if problem is with Key Panel or Control by disconnecting ribbon cable and measuring flat cable pins 7–12. Should be to probe side with conductor. Should be 125–1750 ohms while pressing OFF key.
F2	Oven temperature inside oven cavity as measured by sensor over 650°F unlatched or 915°F latched	<ul style="list-style-type: none"> Welded relay contacts Airflow to rear of unit High resistance in oven sensor leads/connectors (especially at sensor in rear)
F3	Open oven sensor (over 3000 ohms)	<ul style="list-style-type: none"> Disconnect power. Disconnect sensor harness from control. Measure sensor resistance (white leads) to be ~1080 ohms at room temperature with 2 ohms per degree change. Look for damaged harness terminals if not a bad sensor.
F4	Shorted oven sensor (under 950 ohms)	<ul style="list-style-type: none"> Disconnect power. Disconnect sensor harness from control. Measure sensor resistance (white leads) to be ~1080 ohms at room temperature with 2 ohms per degree change. Separate sensor from harness to determine fault.
F5	Sensor circuit supervisor failure	Replace control.
F7	Shorted matrix or START key	Determine if problem is with Key Panel or Control by disconnecting flat cable and measuring cable pins using pinout chart. Allow up to 1000 ohms when pressing a key.
F8	EEPROM data shift failure	If repeated, replace control.
F9	Cooling fan stalls or other cause of open thermal switches in yellow or blue latch leads	Suspect cooling fan (between ovens) or airflow.

Special Functions

The control has a section that can be entered to change how the control will work. To enter this section, press and hold **BAKE and BROIL** pads for 2 seconds. **SF** appears in the display. Select the area to change. When the change has been made, press **START** to return to Time of Day.

- **End-of-Cycle Tone** - Press **TIMER** pad. Display shows **Con Beep** when control is set for Continuous End-of-Cycle Tone or **Beep** when set for Noncontinuous.
- **°F or °C** - Press **Broil** pad. Display will show either **F** (Fahrenheit) or **C** (Celsius). Press **Broil** pad again to change.
- **12 hour, 24 hour, or blank out Time of Day Clock** - Press **Clock** pad. Display will show **12 hr, 24 hr, OFF** for blank clock. Press again to change.
- **Cook & Hold** (used only with Time Bake or Delay Bake functions) - Press **Cooking Time** pad. Display will show either **Hld On** or **Hld Off**. Press again to change.
- **12-hour shutdown** comes set to shut down after 12 hours of continuous operations; this can be eliminated - Press **Delay Start** pad. Display will show **No Shdn**. To turn back on, press **Delay Start** pad again and display will show **Sabbath**; press again and display will show **12 Shdn**.
- **Sabbath Mode** (GE models only) disables all but Bake and Timed Bake, disables beeps, overrides 12-hour shutdown, and puts symbols on red display during bake. Access by pressing **Delay Start** pad until display shows **Sabbath**. Exit by pressing **Delay Start** pad until **No Shdn** or **12 Shdn** shows.
- **Sales Mode** (special feature added for sales floor demonstration) - Press **Clock** and **Timer** pads at the same time. Display will start to cycle through the different modes of operation.
- **Control Lockout** makes all keys inactive when the control is locked. Press the **9 & 0** pad or **down arrow time** slew key for 3 seconds. Display will show **Loc On**. To unlock the controls, press the **9 & 0** pad or **down arrow time** slew key for 3 seconds. Display will show **Loc Off**. The display will show **Loc On** if a pad is pressed while the control is locked.

- **Auto Recipe™ Conversion** (convection models) converts baking temperatures to convection baking temperatures. Press **Conv Bake 1 Rack** or **Conv Bake** pad. The display will show **CON OFF**. Press **Conv Bake 1 Rack** or **Conv Bake** pad again and display will show **CON ON**.

Oven Sensor and Door Switch Ohmmeter Test

See *Motorized Door Lock Operation*, page 34, for door switch function explanation.

Disconnect power to range. Make resistance measurement from side of sensor and lock switch connector with exposed terminals disconnected from control.

Models ZEK958, ZET958, JK955, and JT955

CIRCUIT	TERMINALS		OHMS
	UPPER OVEN	LOWER OVEN	
Oven Sensor	6 to 8	3 to 4	*1100Ω@Rm Temp.
Door Unlatched	3 to 5	6 to 8	0Ω
	4 to 5	6 to 7	Open
Door Latched	4 to 5	6 to 7	0Ω
	3 to 5	6 to 8	Open

Models ZEK938, JCK915, JTP86, JK915 and JT965

CIRCUIT	TERMINALS	OHMS
Oven Sensor	6 to 8	1100Ω @ Rm Temp.* 2562Ω @ 825°F
Door Unlatched	3 to 5	0Ω
	4 to 5	open
Door Latched	4 to 5	0Ω
	3 to 5	open

Model JKP28, JTP28, JTP20, and JKP28

CIRCUIT	TERMINALS	OHMS
Oven Sensor	J1 4 to 6	*1100Ω@Rm Temp. 2562Ω@ 825°F . Clean
Door Unlatched	J1 1 to 3	0Ω
	J1 2 to 3	open
Door Latched	J1 2 to 3	0Ω
	J1 1 to 3	open

* If abnormal reading is observed, remove sensor from oven and check at disconnect block. Wiggle leads while checking resistance. If more than 10Ω fluctuation in resistance occurs, replace sensor.

Model JKP86

CIRCUIT	TERMINALS	OHMS
Oven Sensor		*1100Ω @ Rm Temp. 2562Ω @ 825°F Clean
Door Unlatched	Common-unlock Common-lock	0Ω Open
Door Latched	Common-lock Common-unlock	0Ω Open

Models JTP48

CIRCUIT	TERMINALS		OHMS
	UPPER OVEN	LOWER OVEN	
Oven Sensor	6 to 8	1 to 2	1100Ω @ Rm Temp.*
Door Unlatched	3 to 5 4 to 5	4 to 6 4 to 5	0Ω Open
Door Latched	4 to 5 3 to 5	4 to 5 4 to 6	0Ω Open

Models ZET938, JCT915, JT915, and JT912

CIRCUIT	TERMINALS	OHMS
Oven Sensor	6 to 8	1100Ω @ Rm Temp. 2650Ω @ 865°F
Door Unlatched	3 to 5 4 to 5	0Ω open
Door Latched	4 to 5 3 to 5	0Ω open

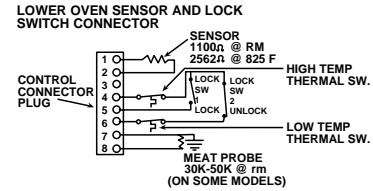
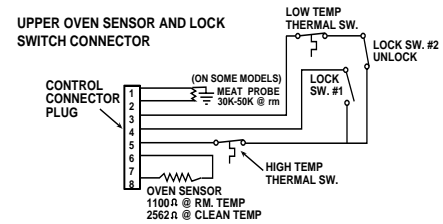
Models JKS06 and JCKS06

CIRCUIT	TERMINALS	OHMS
Oven Sensor	4 to 6	*1100Ω @ Rm Temp.

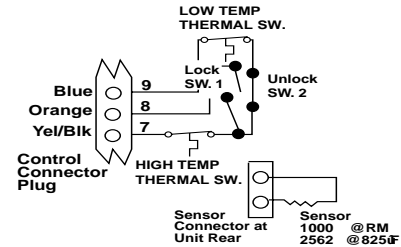
* If abnormal reading is observed, remove sensor from oven and check at disconnect block. Wiggle leads while checking resistance. If more than 10Ω fluctuation in resistance occurs, replace sensor.

Sensor and Lock Switch Connectors

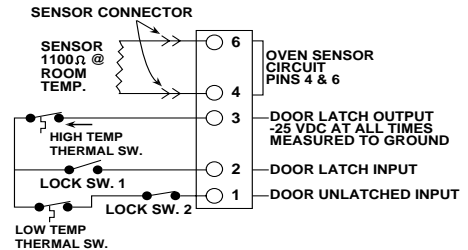
Models ZET958, JK955, JT952, JT955, JKP48, JKT48, and JTP48



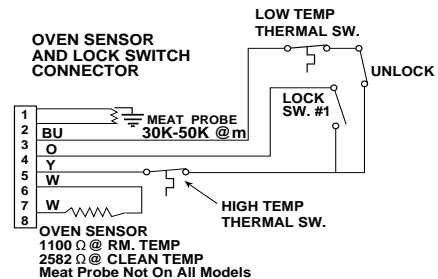
Model JKP86



Models JKP28, JKP20, and JKCP20



Models ZEK938, ZET938, ZEK958, JTP86, JCK915, JCT915, JK915, JT915, and JT912



Oven Circuits

Note: Bake and broil units cannot be on at the same time.

Bake and Time Bake

Bake and Broil units operate sequentially during Preheat. Broil unit is on approximately 25% of the time during the balance of the Bake operation, with approximately 1 minute of dead time between units.

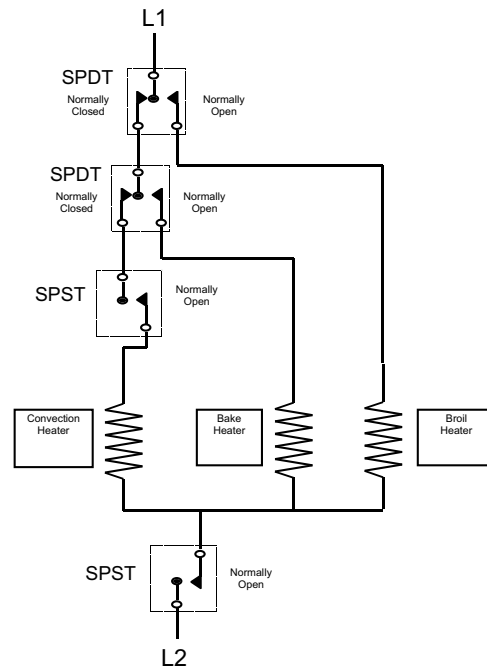
Clean

Broil unit is only on during the first 30 minutes or until oven reaches 750 °F. During the balance of the Clean operation, the oven will cycle between the bake and broil units, with 1 second of dead time between units while calling for heat.

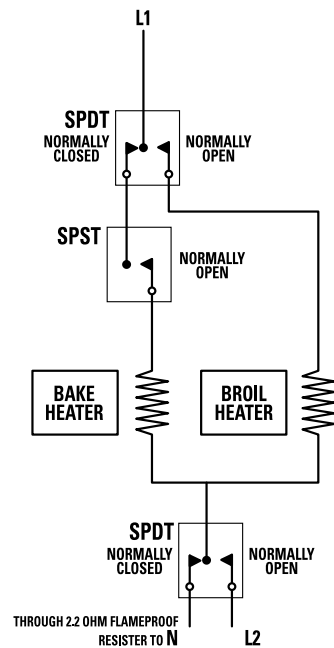
Convection fan not running

See page 36 for troubleshooting the convection fan assembly.

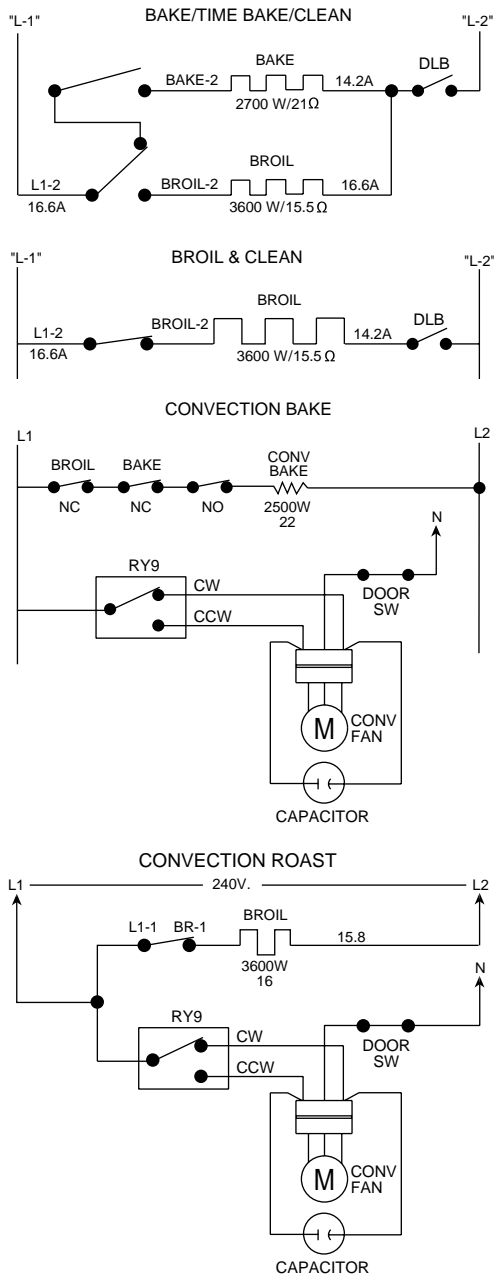
Models JT912, JT952, JT915, JT955, JK915, and JK955



Models JKP28, JTP28, JKP20, JCKP20, JTP20, JKP48, and JTP48



Model JT965



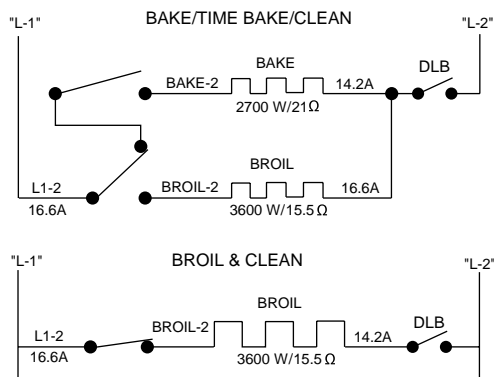
Oven Calibration

Testing has shown that this oven has the best cooking performance at a control setting of 350 °F (177 °C) when the **AVERAGE** center oven temperature is between 340 °F and 380 °F (171 °C and 193 °C), depending on model. Customers may change the average center oven temperature by +/- 35 °F (+/- 20 °C) to satisfy their own cooking needs. This change will effect only the **Bake** mode.

To change:

- Press and hold **Bake & Broil** pads until **SF** appears in display.
 - Press **Bake** pad to enter oven calibration mode (separate for upper and lower). "00" or a number between +35 °F and -35 °F (+20 °C and -20 °C) will be displayed.
 - Press number pads (depending on model) to change average oven temperature. (Use **Bake** pad to switch between + or - settings, if using digit pads.)
- or
- Press **Arrow** pads to change average oven temperature.
 - Press **START** to return to Time of Day.

Models JKP86 and JTP86



Motorized Door Lock

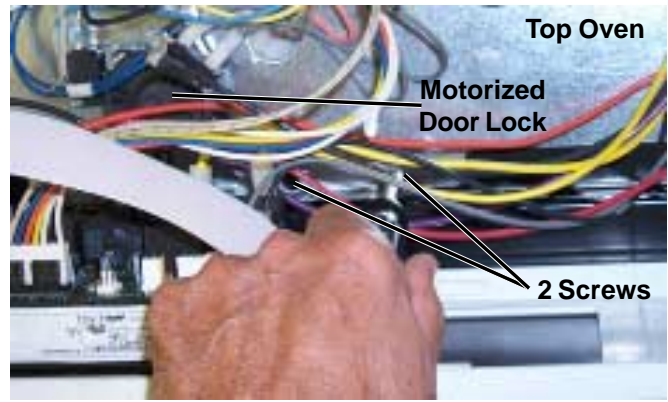
The motorized door lock assembly is located above the oven. The assembly consists of a lock motor cam and switch assembly, lock hook, heat barrier, and mounting plate.

Access to this assembly, for single and upper ovens, is behind the control panel. For lower ovens, access is behind the trim cover between the 2 ovens.

Motorized Door Lock Operation

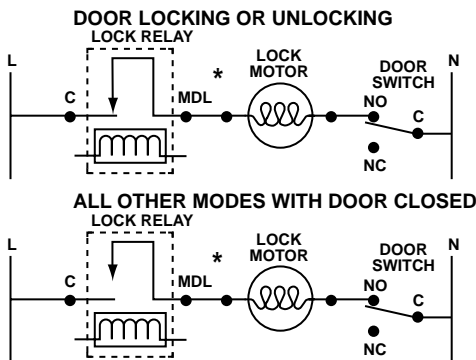
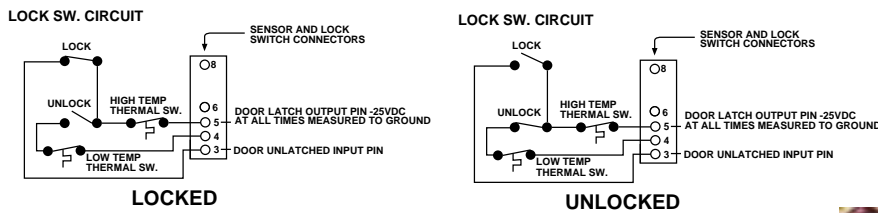
The lock motor is energized when the control is set for Clean and Clean Time selected. The relay contact will close and complete the circuit that supplies the voltage to the lock motor. (See table for relay identification.)

Models, Single Oven	Relay	
JKP20, JKP28, JCKP20, JTP20, JTP28, JTP86, and JTP965	K1	
JK915, JCK915, JT912, JT915, JCT915, ZEK938, and ZET938	RY1	
Models, Double Oven	Relay Upper	Relay Lower
JK955, JT952, JT955, ZEK958, and ZET958	K7	K8
JKP48 AND JTP48	K500	K501

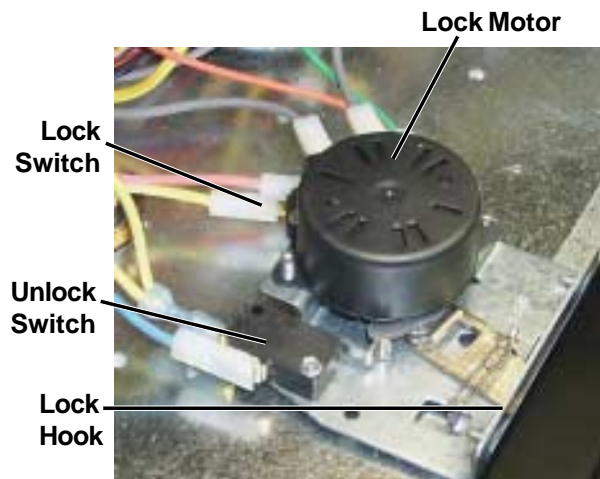


Note: The display of the Control will flash LOCK if the door switch is in the C (common) to NC

(normally closed) position (Door open). Closing the door completes the circuit through the door



*CN-01-4 used on JT965 and JTP86



switch, C to NO (normally open) and enables the power to be delivered to the door lock.

The words LOCKED will flash on and off in the display while the lock motor is in motion. When the door is locked the words LOCKED remains illuminated in the display.

The cam on the motor performs two functions:

1. Positions the lock hook in the door to prevent

opening during Clean operation.

2. Operates the lock switches that tell the control if the door is unlocked or locked and ready for Clean operation.

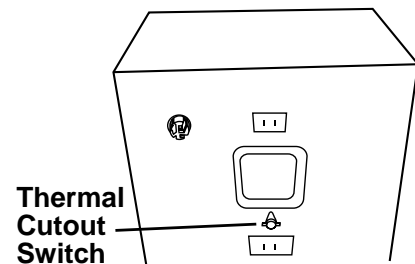
Note: When door is either being locked or unlocked, both lock switches will be in the open position.

Oven Thermal Switch

Note: Oven thermal switch is used **only** on the 27-in. wall oven models.

A self-resetting, disc-type thermal cutout switch is mounted to the rear of the oven. The switch will open L2 to the heating elements in the event of an overtemperature condition. Single, lower oven, and microwave/oven combination switch opens at 284 °F (140 °C) and closes at 254 °F (123 °C). Upper oven switch opens at 302 °F (150 °C) and closes at 272 °F (133 °C).

There is no indication to the customer when the switch opens or closes.



Note: Oven must be removed from installation for access to the thermal cutout switch.

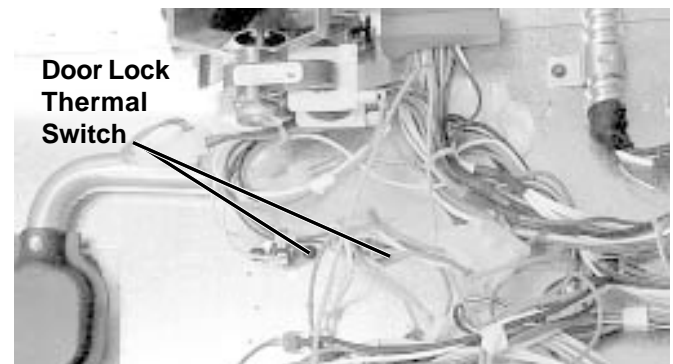
Lock Thermal Switch

The thermal switches are located in the component compartment (see photo). The lock thermal switch circuit is in the normally closed position.

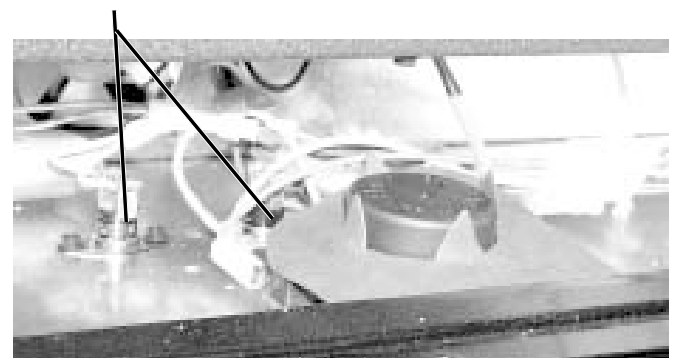
There are two thermal limit switches. One is for thermal protection during selfclean mode (located in the yellow neutral wire of the door lock circuit). It opens between 240 °F (116 °C) and 365 °F (185 °C), and closes between 190 °F (88 °C) and 293 °F (145 °C), depending on model.

The other thermal switch is for sensing cooling fan operation during non-selfclean modes only (located in unlock switch side of door lock motor circuit). It opens between 176 °F (80 °C) and 212 °F (100 °C) and closes between 149 °F (65 °C) and 185 °F (85 °C), depending on model.

If the thermal switch opens in any mode of operation, the control will go to -F9- failure code. When this condition exists, check the fan operation (look for obstructions) and inspect oven installation (make sure grill areas are not blocked), oven insulation, and lock circuit.



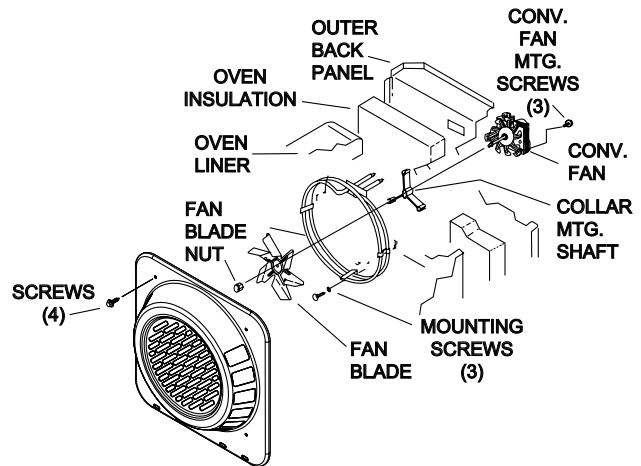
Lower Oven
Door Lock
Thermal Switch



Convection Bake Element and Fan Assembly

For more even baking, the new convection fan rotates in both directions depending on mode (see table).

Convection Mode	Counter-Clockwise Rotation Time	Rest Time Between Directions	Clockwise Rotation Time
Convection Roast	ONLY Counter-Clockwise	NONE	NONE
Convection Multi-Rack	40 Seconds	10 Seconds	20 Seconds
Convection Single Rack	3 Minutess	10 Seconds	3 Minutes
Proof	1 Minute	10 Minutes	1 Minute



The convection bake element and fan assembly are located on the back wall of the oven liner behind the panel with the screen in the center.

To access convection bake element:

1. Disconnect the power to range; remove the oven door and the oven racks.
2. Remove 4 screws from the mounting panel (2 on each side) and pull forward.

To remove convection bake element:

Remove 3 screws mounting the element to the back wall and pull forward. Disconnect the wires.

To service fan:

Note: Convection fan blade nut has left-handed threads.

Fan blade can be replaced from inside oven. **Oven must be removed from installation to access convection fan motor.**

Troubleshooting:

Convection fan not running.

Make the following checks:

Assumptions :

1. Checked relays are providing corrected voltage outputs.
2. Control Compartment connectors are connected properly.
3. Capacitor will fail as an open or short.

Point 1	CW Windings
Point 2	CCW Windings
Point 3	Conv Fan Neutral



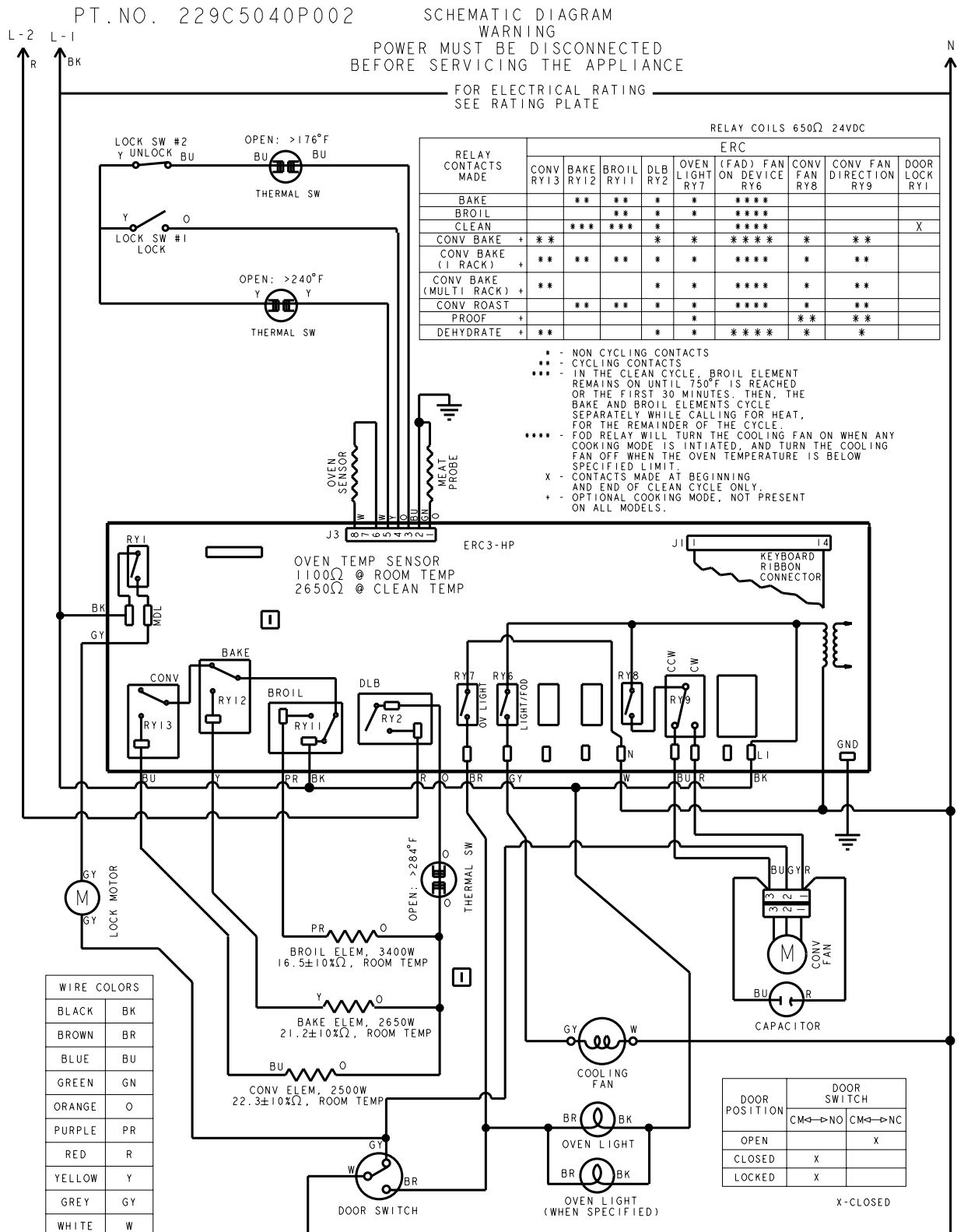
Note: Oven must be removed from installation for access to the convection motor shown above. Refer to the schematic in the back of this manual for circuitry for your specific model.

No Power Applied Possible Failure Modes	Measure Resistance		
	Pt 1 to 3	Pt 2 to 3	Pt 1 to 2
Conv. Fan CW winding Open	Infinite	n/a	n/a
Conv. Fan CCW winding Open	n/a	Infinite	n/a
Capacitor Short	n/a	n/a	0

Power Applied Possible Failure Modes	Measure Voltage		
	Pt 1 to 3	Pt 2 to 3	Pt 1 to 2
Capacitor Open	= Pt 2 to 3	= Pt 1 to 3	n/a

Schematics and Wiring Diagrams

Models JCK915, JK915, and ZEK938 Schematic

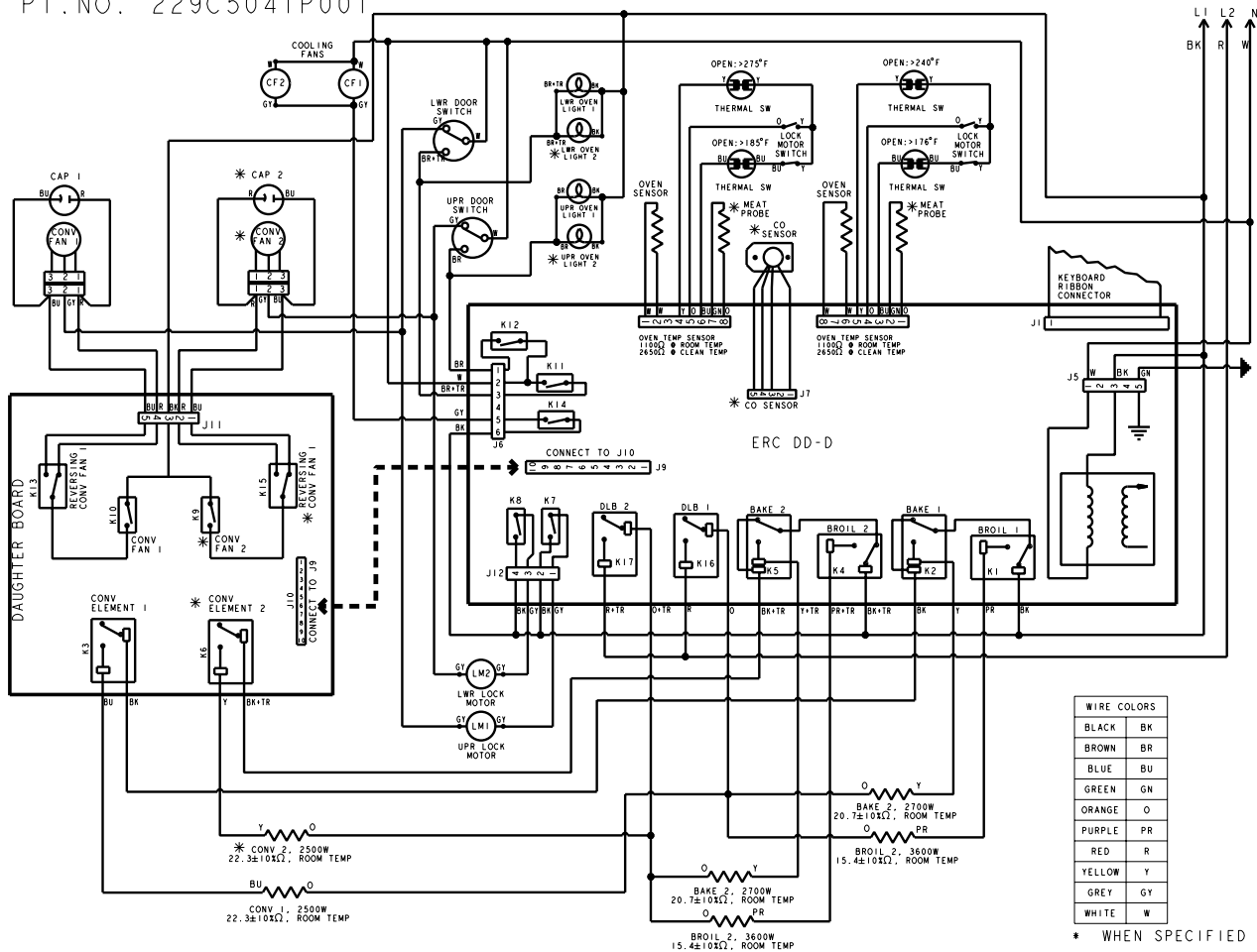


Models JT952, JT955, and ZET958 Schematic

RELAY CONTACTS MADE	ERC																
	BROIL UPPER K1	BAKE UPPER K2	BROIL LOWER K4	BAKE LOWER K5	DLB UPPER K16	DLB LOWER K17	LWR LOCK MOTOR K7	UPR LOCK MOTOR K8	LOWER LIGHT K12	UPPER LIGHT K11	COOLING FAN K14	CONV UPPER K3	CONV LOWER K6	CONV FAN UPPER K10	CONV FAN UPPER DIRECTION K15	CONV FAN LOWER K10	CONV FAN LWR DIRECTION K13
BAKE	**	**	**	**	*	*			*	*	****						
BROIL	**		**		*	*			*	*	****						
CLEAN	***	***	***	***	*	*	X	X			****						
CONV BAKE (1 RACK) +	**	**	**	**	*	*			*	*	****	*	*	*	*	*	*
CONV BAKE (MULTI RACK) +					*	*			*	*	****	*	*	*	*	*	*
CONV ROAST	**	**	**	**	*	*			*	*	****			*	*	*	*
PROOF +									*	*				*	*	*	*
DEHYDRATE +					*	*			*	*	****	*	*	*	*	*	*
WARM / SERVE WARM	**	**	**	**	*	*			*	*	****						

- NON CYCLING CONTACTS
- CYCLING CONTACTS
- IN THE CLEAN CYCLE, BROIL ELEMENT REMAINS ON UNTIL 750°F IS REACHED OR THE FIRST 30 MINUTES. THEN, THE BAKE AND BROIL ELEMENTS CYCLE SEPARATELY WHILE CALLING FOR HEAT, FOR THE REMAINDER OF THE CYCLE.
- **** - FOD RELAY WILL TURN THE COOLING FAN ON WHEN ANY COOKING MODE IS INITIATED, AND TURN THE COOLING FAN OFF WHEN THE OVEN TEMPERATURE IS BELOW SPECIFIED LIMIT.
- X - CONTACTS MADE AT BEGINNING AND END OF CLEAN CYCLE ONLY.
- + - OPTIONAL COOKING MODE, NOT PRESENT ON ALL MODELS.

PT. NO. 229C5041P001

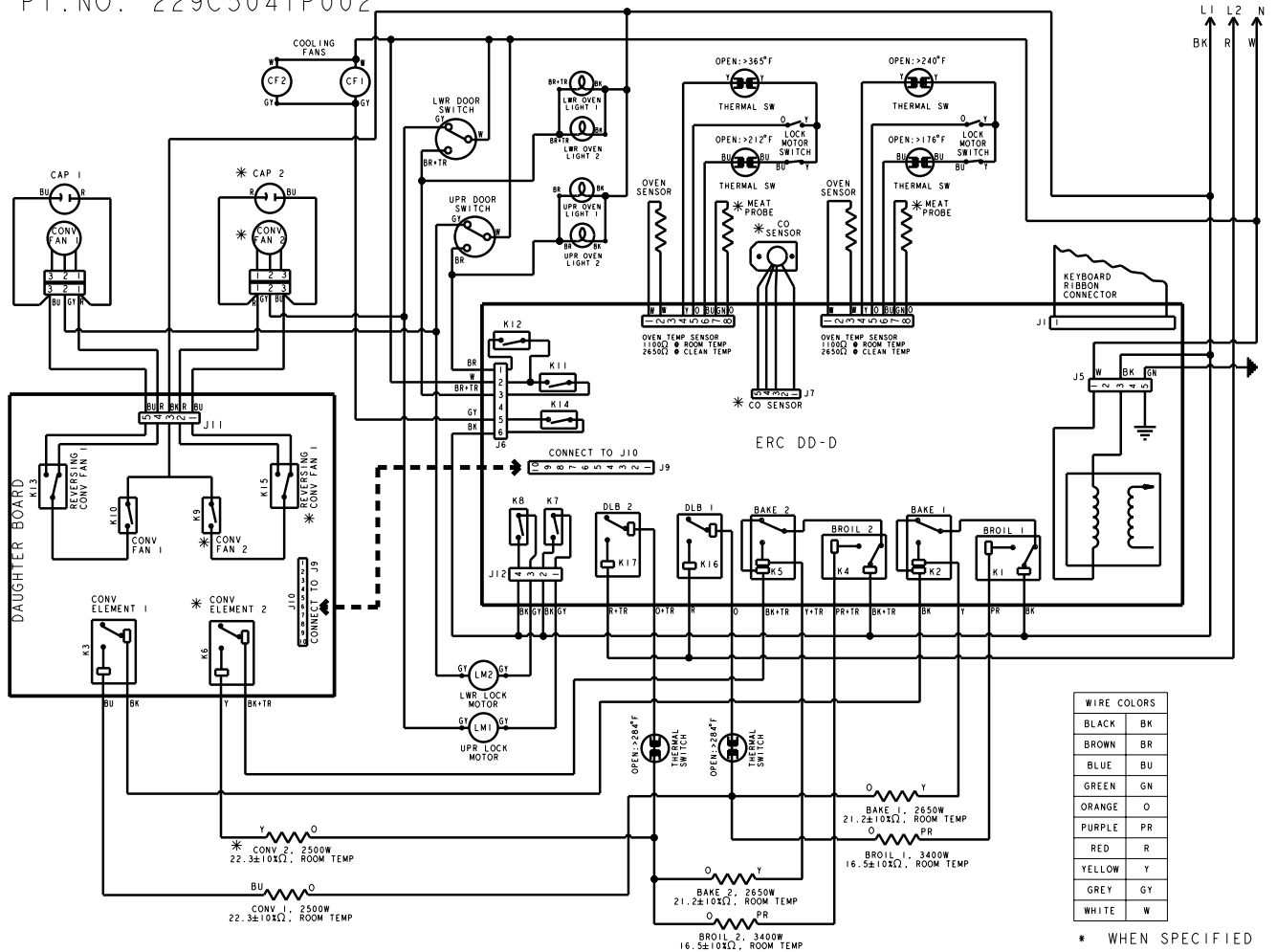


Models JK955 and ZEK958 Schematic

RELAY CONTACTS MADE	ERC															
	BROIL UPPER K1	BAKE UPPER K2	BROIL LOWER K4	BAKE LOWER K5	DLB UPPER K16	DLB LOWER K17	LWR LOCK MOTOR K7	UPR LOCK MOTOR K8	LOWER LIGHT K12	UPPER LIGHT K11	COOLING FAN K14	CONV UPPER K3	CONV LOWER K6	CONV FAN UPPER K10	CONV FAN UPR DIRECTION K15	CONV FAN LWR DIRECTION K13
BAKE	**	**	**	**	*	*			*	*	****					
BROIL	**		**		*	*			*	*	****					
CLEAN	***	***	***	***	*	*	X	X			****					
CONV BAKE (1 RACK) +	**	**	**	**	*	*			*	*	****	**	**	*	**	**
CONV BAKE (MULTI RACK) +					*	*			*	*	****	**	**	*	**	**
CONV ROAST	**	**	**	**	*	*			*	*	****			*	**	**
PROOF +									*	*				*	**	**
DEHYDRATE +					*	*			*	*	****	**	**	*	*	*
WARM / SERVE WARM	**	**	**	**	*	*			*	*	****					

- * - NON CYCLING CONTACTS
- ** - CYCLING CONTACTS
- *** - IN THE CLEAN CYCLE, BROIL ELEMENT REMAINS ON UNTIL 750°F IS REACHED OR THE FIRST 30 MINUTES. THEN, THE BAKE AND BROIL ELEMENTS CYCLE SEPARATELY WHILE CALLING FOR HEAT, FOR THE REMAINDER OF THE CYCLE.
- **** - FOD RELAY WILL TURN THE COOLING FAN ON WHEN ANY COOKING MODE IS INITIATED, AND TURN THE COOLING FAN OFF WHEN THE OVEN TEMPERATURE IS BELOW SPECIFIED LIMIT.
- X - CONTACTS MADE AT BEGINNING AND END OF CLEAN CYCLE ONLY.
- + - OPTIONAL COOKING MODE, NOT PRESENT ON ALL MODELS.

PT. NO. 229C5041P002



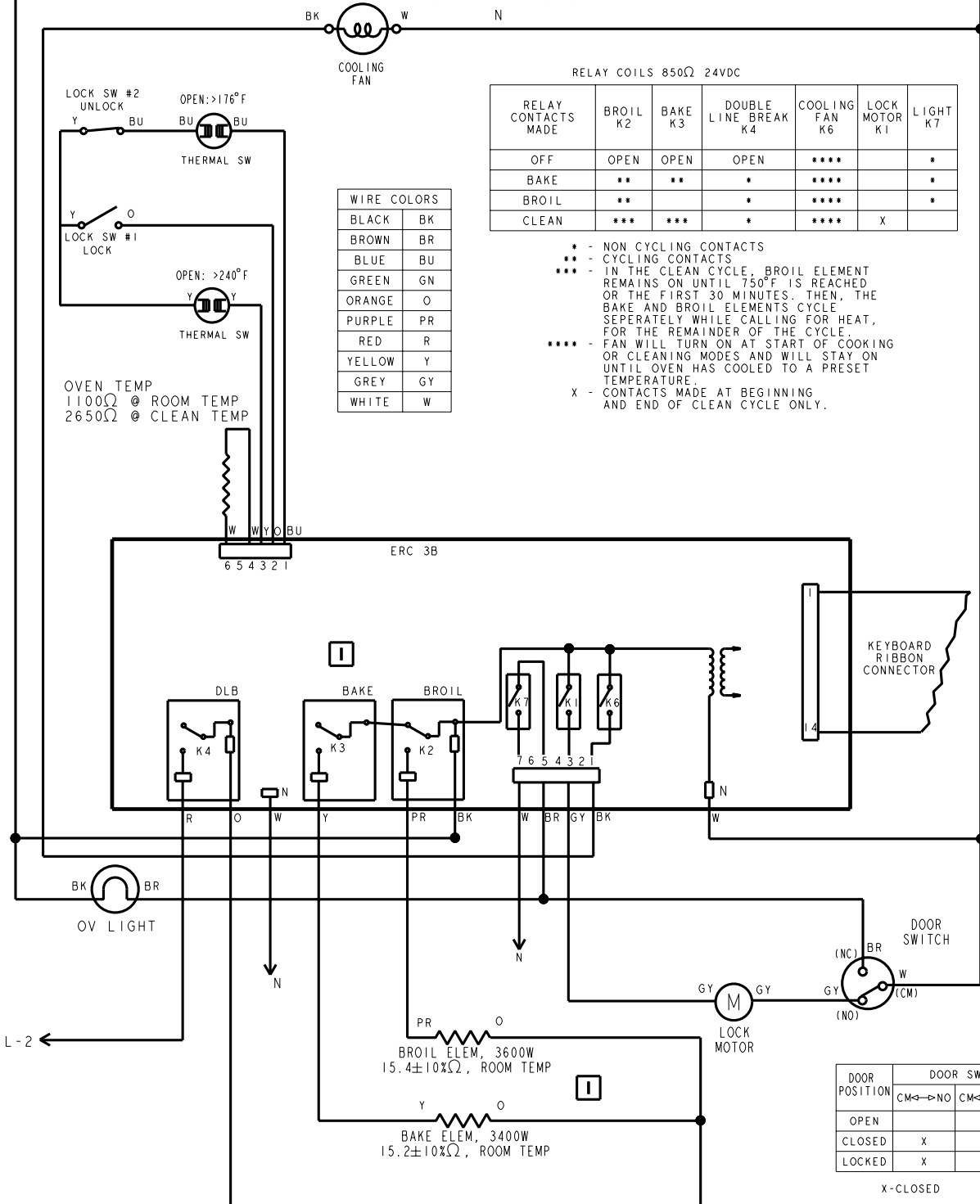
Model JTP20 Schematic

PT. NO. 229C5042P001

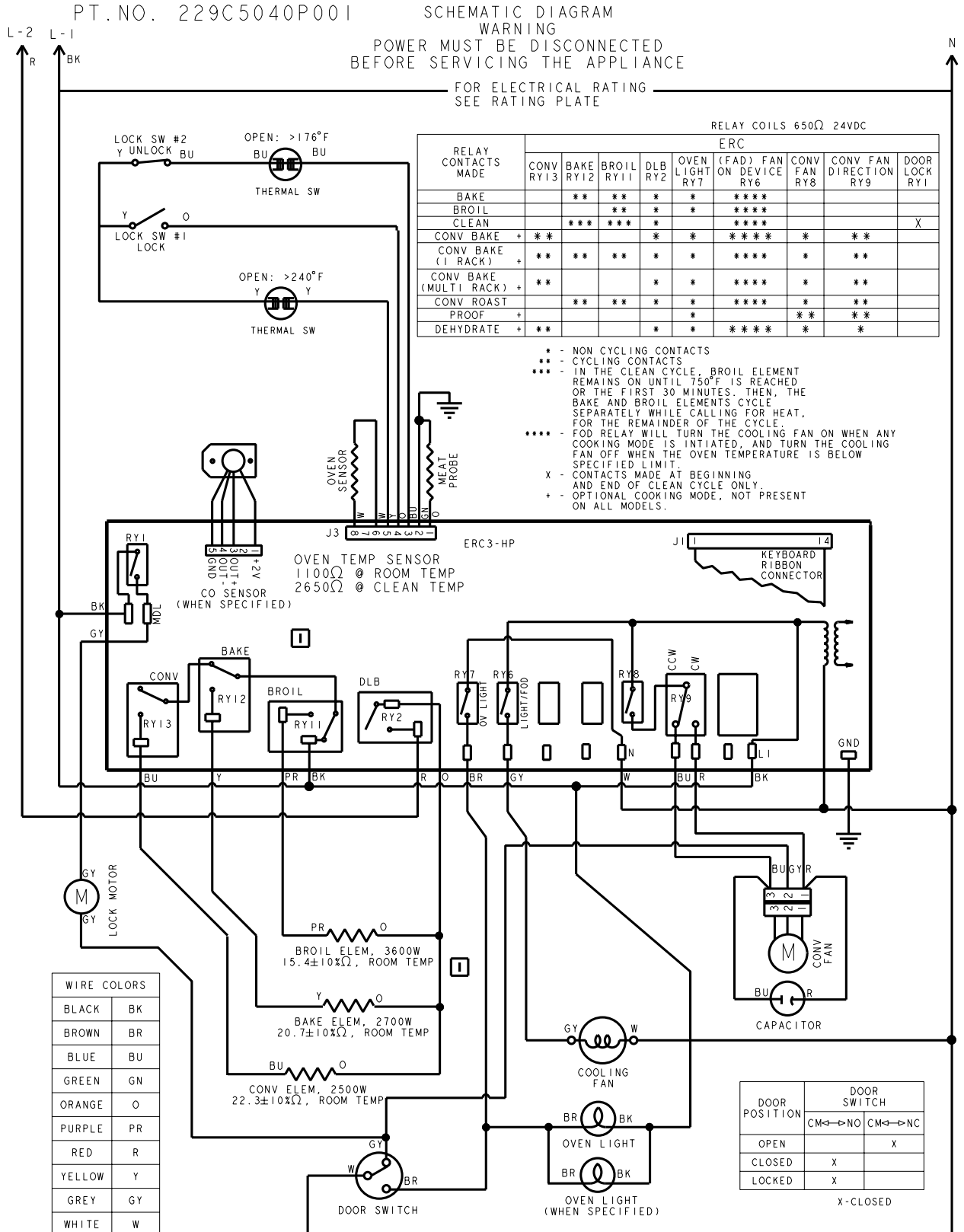
L-1 WIRING DIAGRAM WARNING

POWER MUST BE DISCONNECTED BEFORE SERVICING THE APPLIANCE

FOR ELECTRICAL RATING SEE RATING PLATE



Models JT912, JTC915, JT915, and ZET938 Schematic



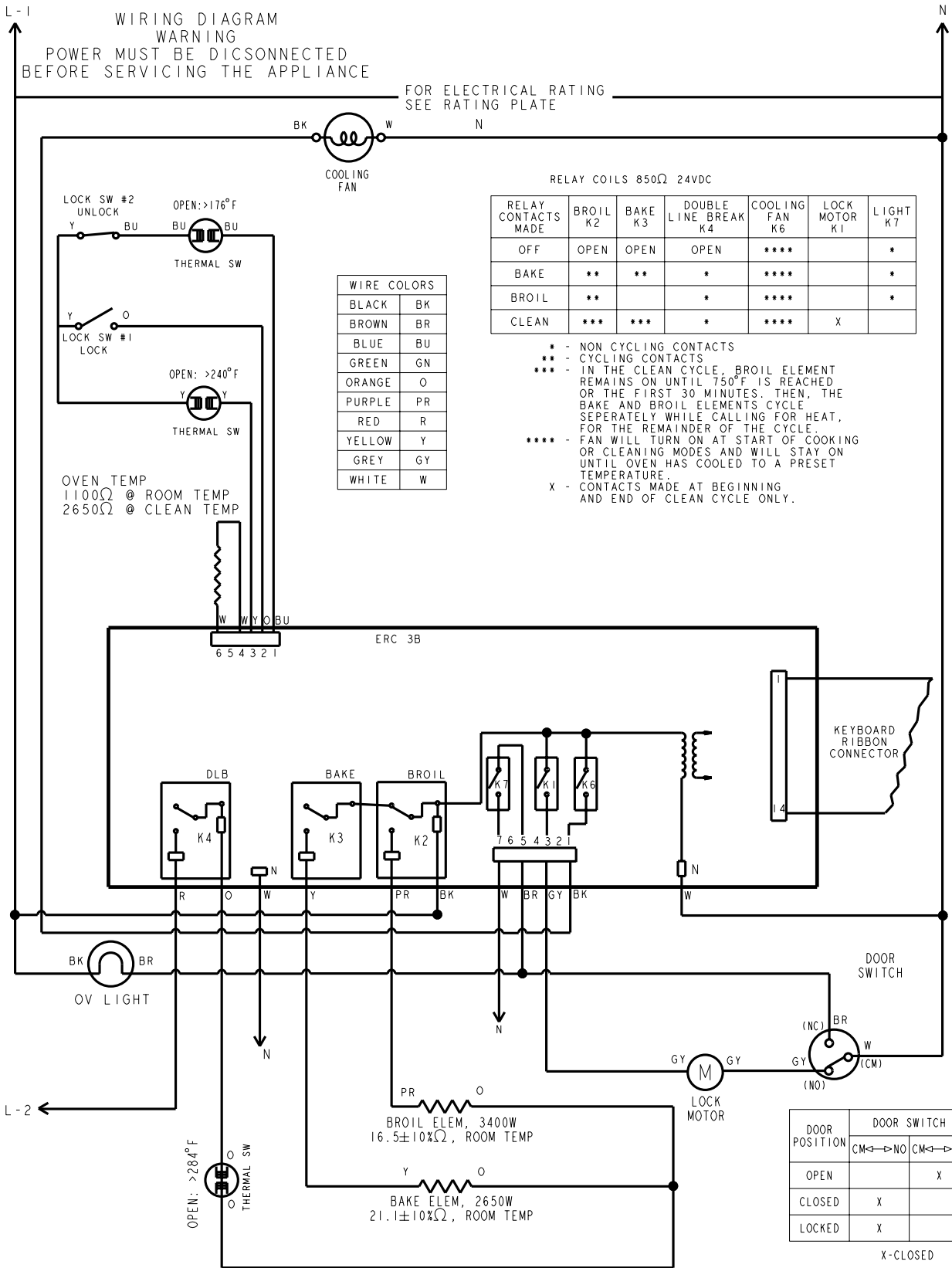
Models JCKP20, and JKP20 Schematic

PT. NO. 229C5042P002

WIRING DIAGRAM

WARNING
POWER MUST BE DISCONNECTED
BEFORE SERVICING THE APPLIANCE

FOR ELECTRICAL RATING
SEE RATING PLATE



WIRE COLORS

BLACK	BK
BROWN	BR
BLUE	BU
GREEN	GN
ORANGE	O
PURPLE	PR
RED	R
YELLOW	Y
GREY	GY
WHITE	W

RELAY COILS 850Ω 24VDC

RELAY CONTACTS MADE	BROIL K2	BAKE K3	DOUBLE LINE BREAK K4	COOLING FAN K6	LOCK MOTOR K1	LIGHT K7
OFF	OPEN	OPEN	OPEN	****		*
BAKE	**	**	*	****		*
BROIL	**		*	****		*
CLEAN	***	***	*	****	X	

- * - NON CYCLING CONTACTS
- ** - CYCLING CONTACTS
- *** - IN THE CLEAN CYCLE, BROIL ELEMENT REMAINS ON UNTIL 750°F IS REACHED OR THE FIRST 30 MINUTES. THEN, THE BAKE AND BROIL ELEMENTS CYCLE SEPERATELY WHILE CALLING FOR HEAT, FOR THE REMAINDER OF THE CYCLE.
- **** - FAN WILL TURN ON AT START OF COOKING OR CLEANING MODES AND WILL STAY ON UNTIL OVEN HAS COOLED TO A PRESET TEMPERATURE.
- X - CONTACTS MADE AT BEGINNING AND END OF CLEAN CYCLE ONLY.

DOOR POSITION	DOOR SWITCH	
	CM ← → NO	CM ← → NC
OPEN		X
CLOSED	X	
LOCKED	X	

X-CLOSED

Models JCKS06 and JKS06 Schematic

PT. NO. 229C5042P003

L-1
 WIRING DIAGRAM
 WARNING
 POWER MUST BE DISCONNECTED
 BEFORE SERVICING THE APPLIANCE

FOR ELECTRICAL RATING
 SEE RATING PLATE

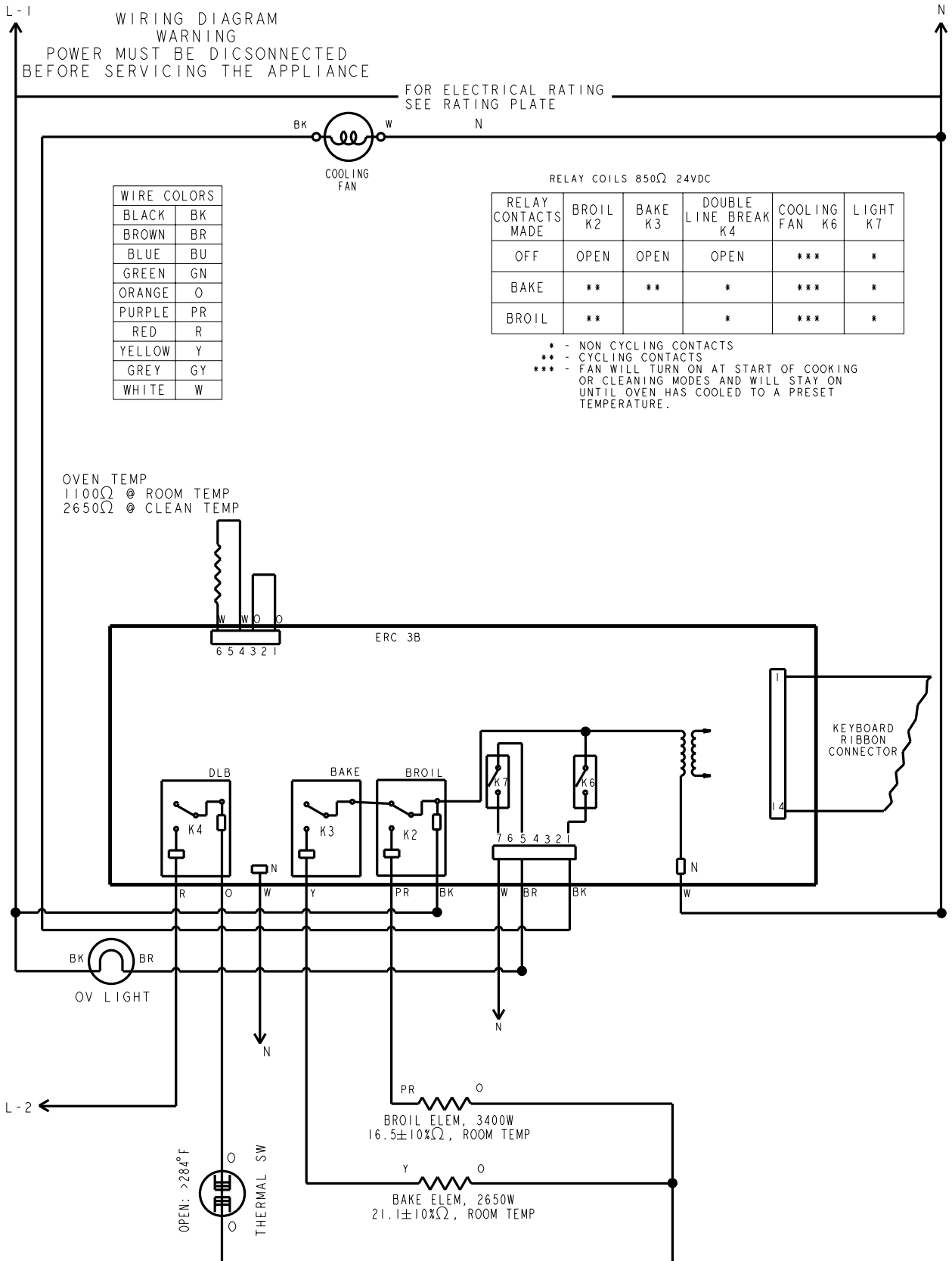
WIRE COLORS	
BLACK	BK
BROWN	BR
BLUE	BU
GREEN	GN
ORANGE	O
PURPLE	PR
RED	R
YELLOW	Y
GREY	GY
WHITE	W

RELAY COILS 850Ω 24VDC

RELAY CONTACTS MADE	BROIL K2	BAKE K3	DOUBLE LINE BREAK K4	COOLING FAN K6	LIGHT K7
OFF	OPEN	OPEN	OPEN	***	*
BAKE	**	**	*	***	*
BROIL	**		*	***	*

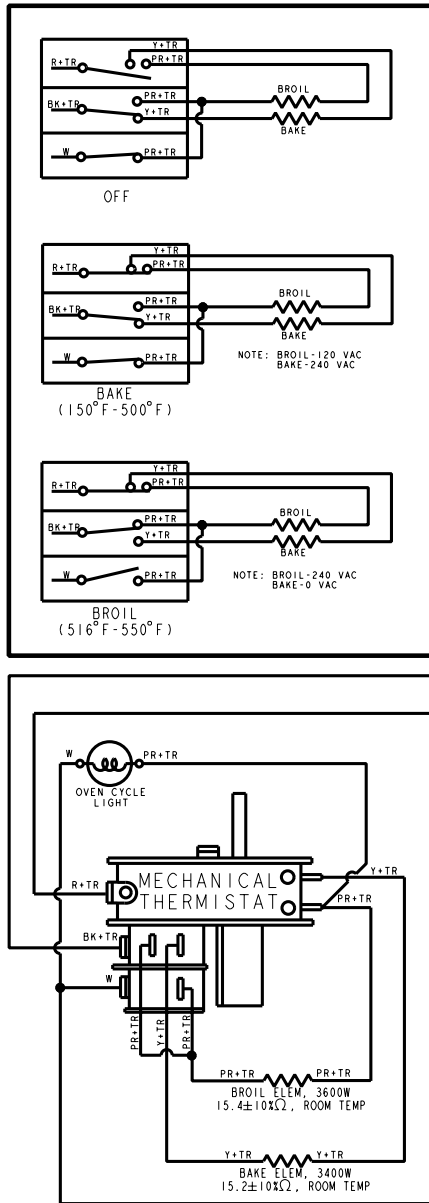
- * - NON CYCLING CONTACTS
- ** - CYCLING CONTACTS
- *** - FAN WILL TURN ON AT START OF COOKING OR CLEANING MODES AND WILL STAY ON UNTIL OVEN HAS COOLED TO A PRESET TEMPERATURE.

OVEN TEMP
 1100Ω @ ROOM TEMP
 2650Ω @ CLEAN TEMP



Model JTP28 Schematic

MECH. THERM. DIAGRAM

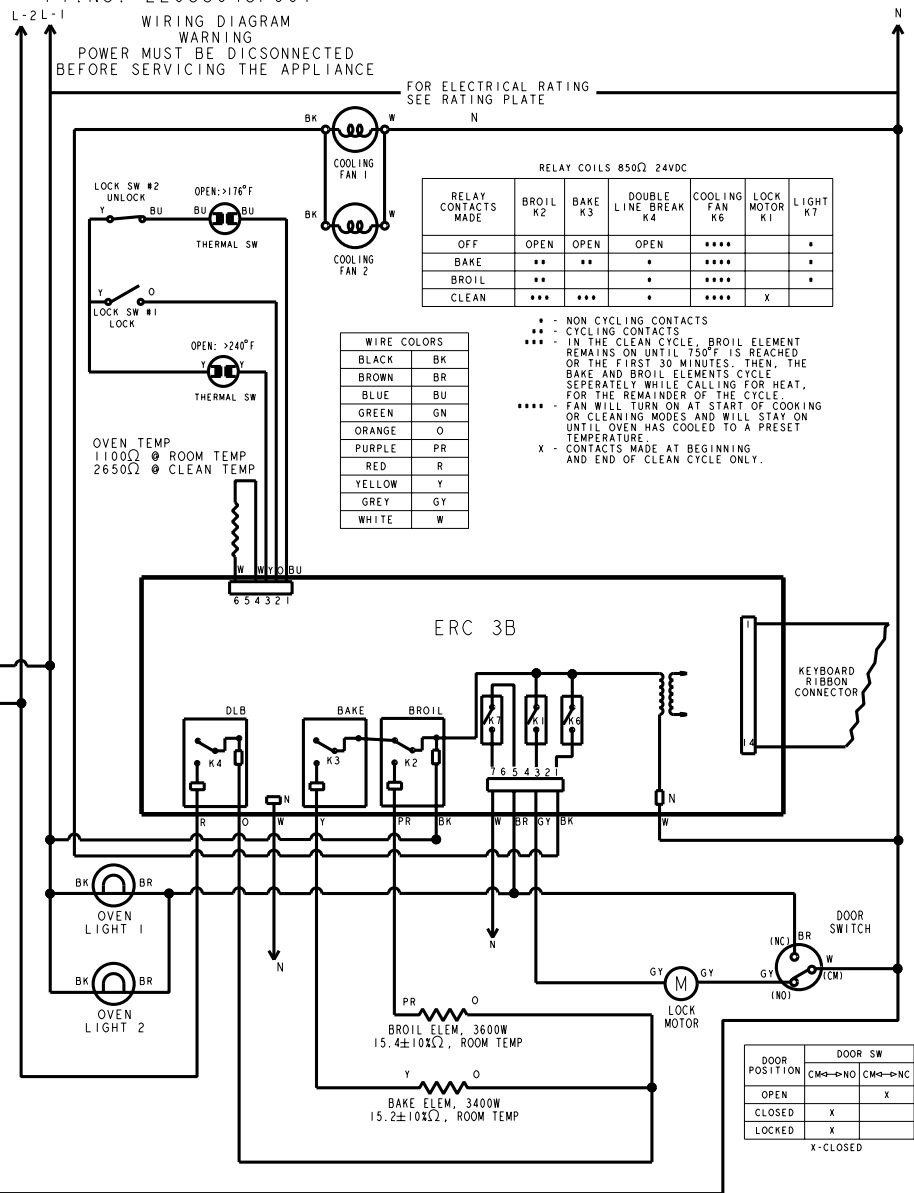


PT. NO. 229C5043P001

WIRING DIAGRAM

WARNING
POWER MUST BE DISCONNECTED
BEFORE SERVICING THE APPLIANCE

FOR ELECTRICAL RATING
SEE RATING PLATE



RELAY COILS 850Ω 24VDC

RELAY CONTACTS MADE	BROIL K2	BAKE K3	DOUBLE LINE BREAK K4	COOLING FAN K6	LOCK MOTOR K1	LIGHT K7
OFF	OPEN	OPEN	OPEN	****		*
BAKE	**	**	*	****		*
BROIL	**	*	*	****		*
CLEAN	***	***	*	****	X	*

WIRE COLORS

BLACK	BK
BROWN	BR
BLUE	BU
GREEN	GN
ORANGE	O
PURPLE	PR
RED	R
YELLOW	Y
GREY	GY
WHITE	W

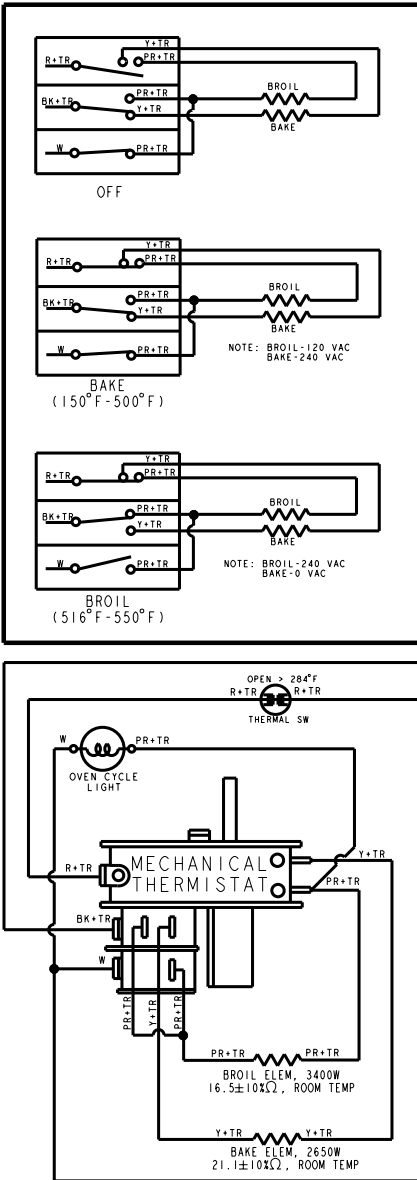
- * - NON CYCLING CONTACTS
- ** - CYCLING CONTACTS
- *** - IN THE CLEAN CYCLE, BROIL ELEMENT REMAINS ON UNTIL 750°F IS REACHED OR THE FIRST 30 MINUTES, THEN THE BAKE AND BROIL ELEMENTS CYCLE SEPARATELY WHILE CALLING FOR HEAT, FOR THE REMAINDER OF THE CYCLE.
- **** - FAN WILL TURN ON AT START OF COOKING OR CLEANING MODES AND WILL STAY ON UNTIL OVEN HAS COOLED TO A PRESET TEMPERATURE
- X - CONTACTS MADE AT BEGINNING AND END OF CLEAN CYCLE ONLY.

DOOR POSITION	DOOR SW	
	CM→NC	CM→NC
OPEN		X
CLOSED	X	
LOCKED	X	

X-CLOSED

Model JKP28 Schematic

MECH. THERM. DIAGRAM

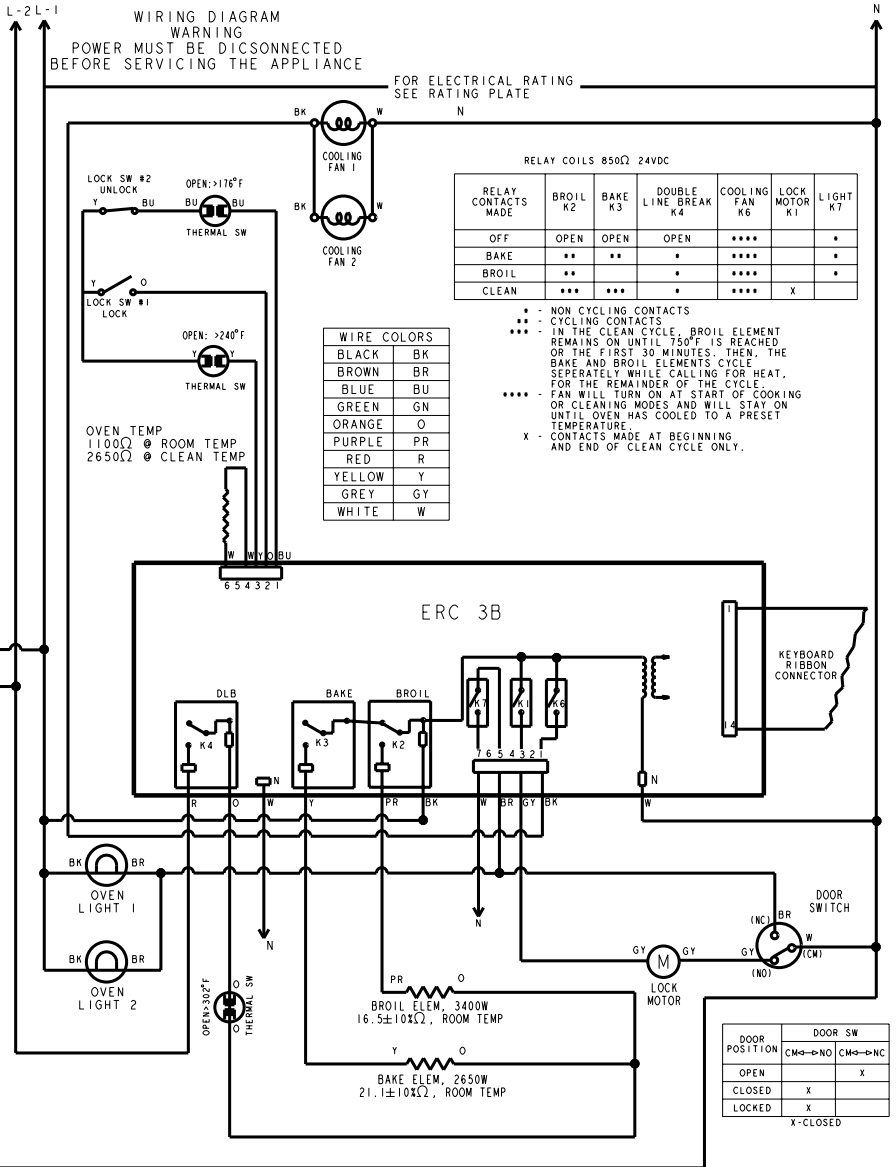


PT. NO. 229C5043P002

WIRING DIAGRAM

WARNING
POWER MUST BE DISCONNECTED
BEFORE SERVICING THE APPLIANCE

FOR ELECTRICAL RATING
SEE RATING PLATE



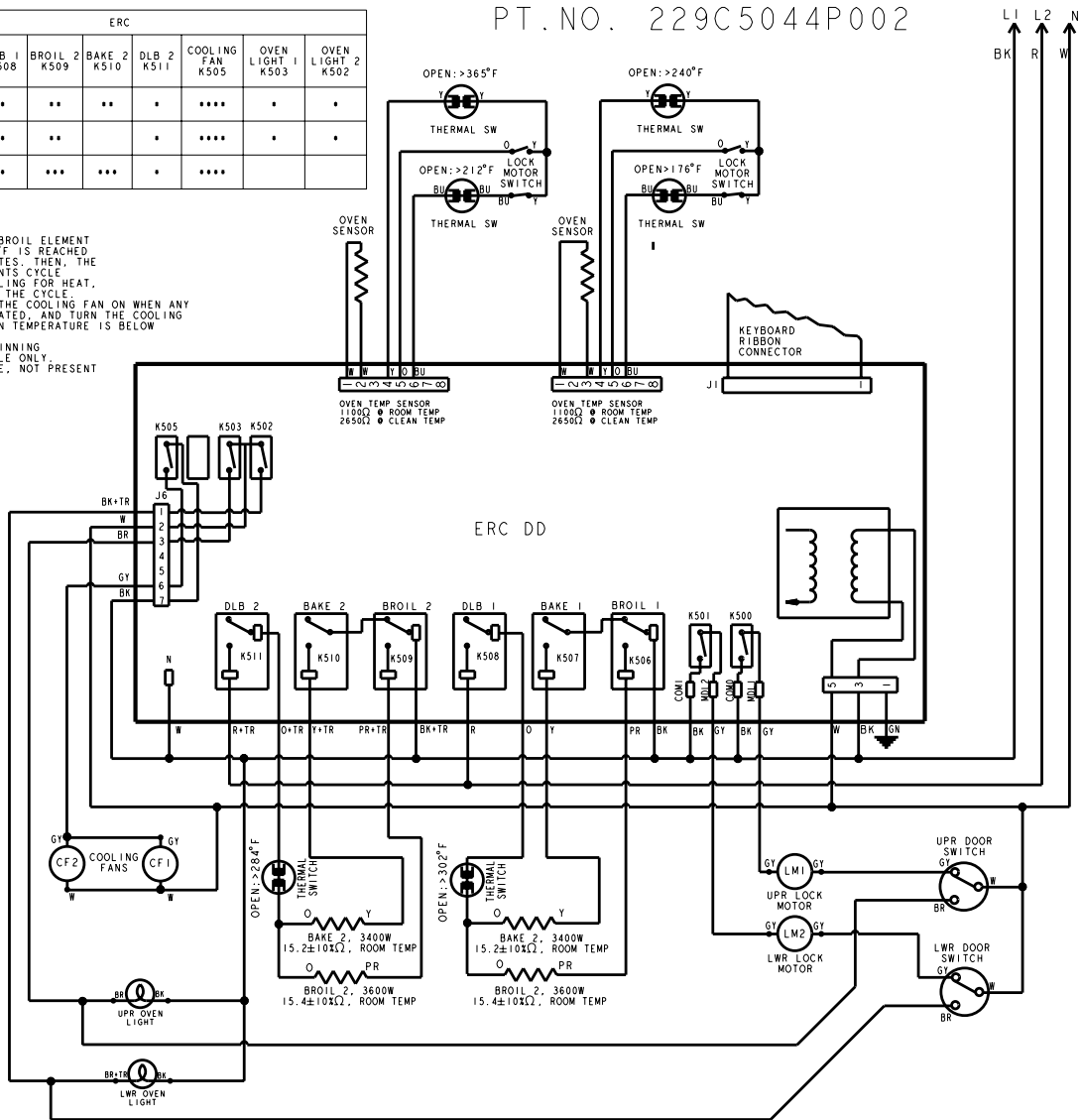
Models JKP48 and JTP48 Schematic

PT. NO. 229C5044P002

RELAY CONTACTS MADE	ERC								
	BROIL 1 K506	BAKE 1 K507	DLB 1 K508	BROIL 2 K509	BAKE 2 K510	DLB 2 K511	COOLING FAN K505	OVEN LIGHT 1 K503	OVEN LIGHT 2 K502
BAKE	**	**	*	**	**	*	****	*	*
BROIL	**		*	**		*	****	*	*
CLEAN	***	***	*	***	***	*	****		

- * - NON CYCLING CONTACTS
- ** - CYCLING CONTACTS
- *** - IN THE CLEAN CYCLE, BROIL ELEMENT REMAINS ON UNTIL 750°F IS REACHED OR THE FIRST 30 MINUTES. THEN, THE BAKE AND BROIL ELEMENTS CYCLE SEPARATELY WHILE CALLING FOR HEAT. FOR THE REMAINDER OF THE CYCLE.
- **** - FOD RELAY WILL TURN THE COOLING FAN ON WHEN ANY COOKING MODE IS INITIATED, AND TURN THE COOLING FAN OFF WHEN THE OVEN TEMPERATURE IS BELOW SPECIFIED LIMIT.
- X - CONTACTS MADE AT BEGINNING AND END OF CLEAN CYCLE ONLY
- OPTIONAL COOKING MODE, NOT PRESENT ON ALL MODELS.

WIRE COLORS	
BLACK	BK
BROWN	BR
BLUE	BU
GREEN	GN
ORANGE	O
PURPLE	PR
RED	R
YELLOW	Y
GREY	GY
WHITE	W

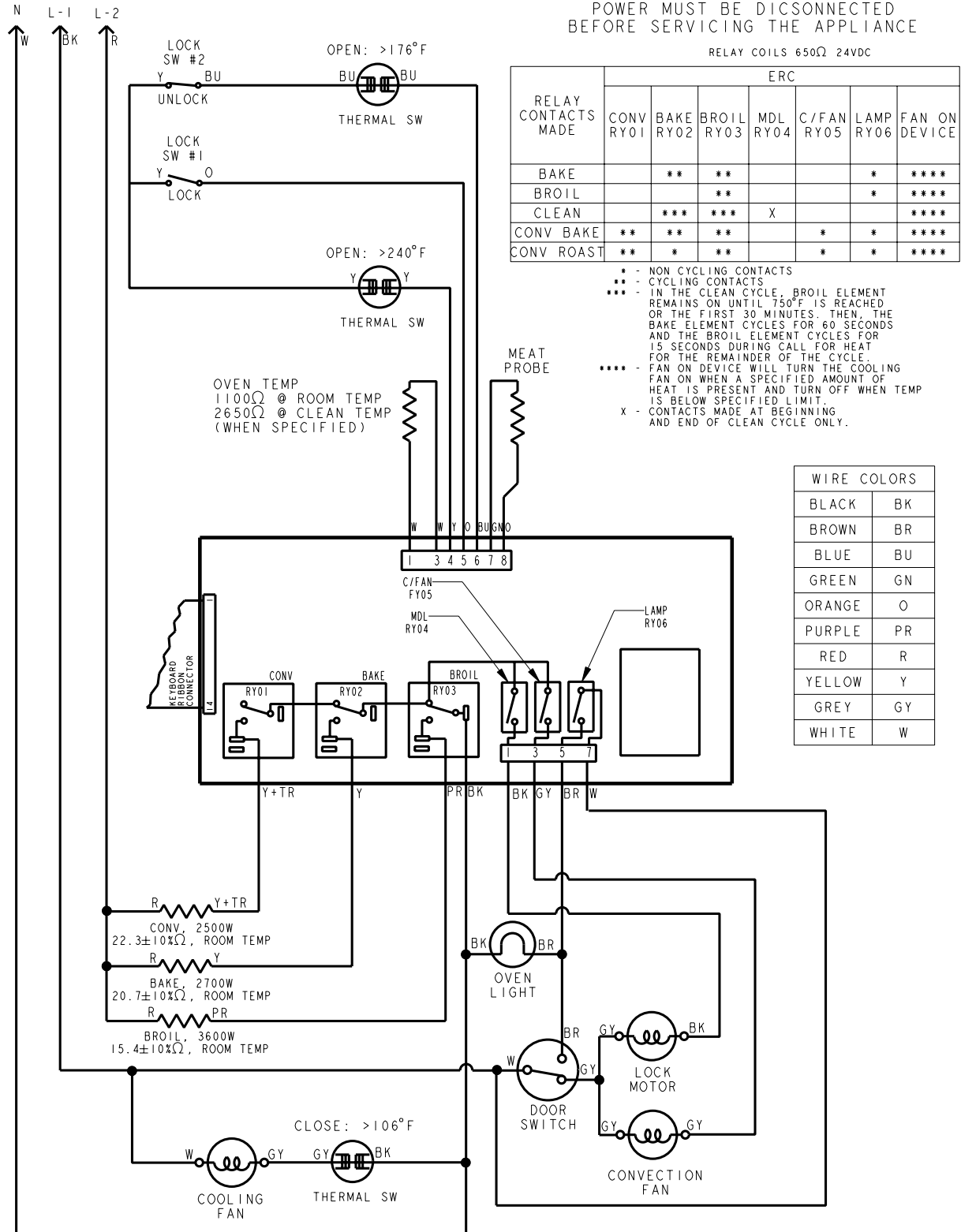


Model JT965 Schematic

PT. NO. 229C5051P001

SCHEMATIC DIAGRAM
WARNING
POWER MUST BE DISCONNECTED
BEFORE SERVICING THE APPLIANCE

RELAY COILS 650Ω 24VDC



Model JTP86 Schematic

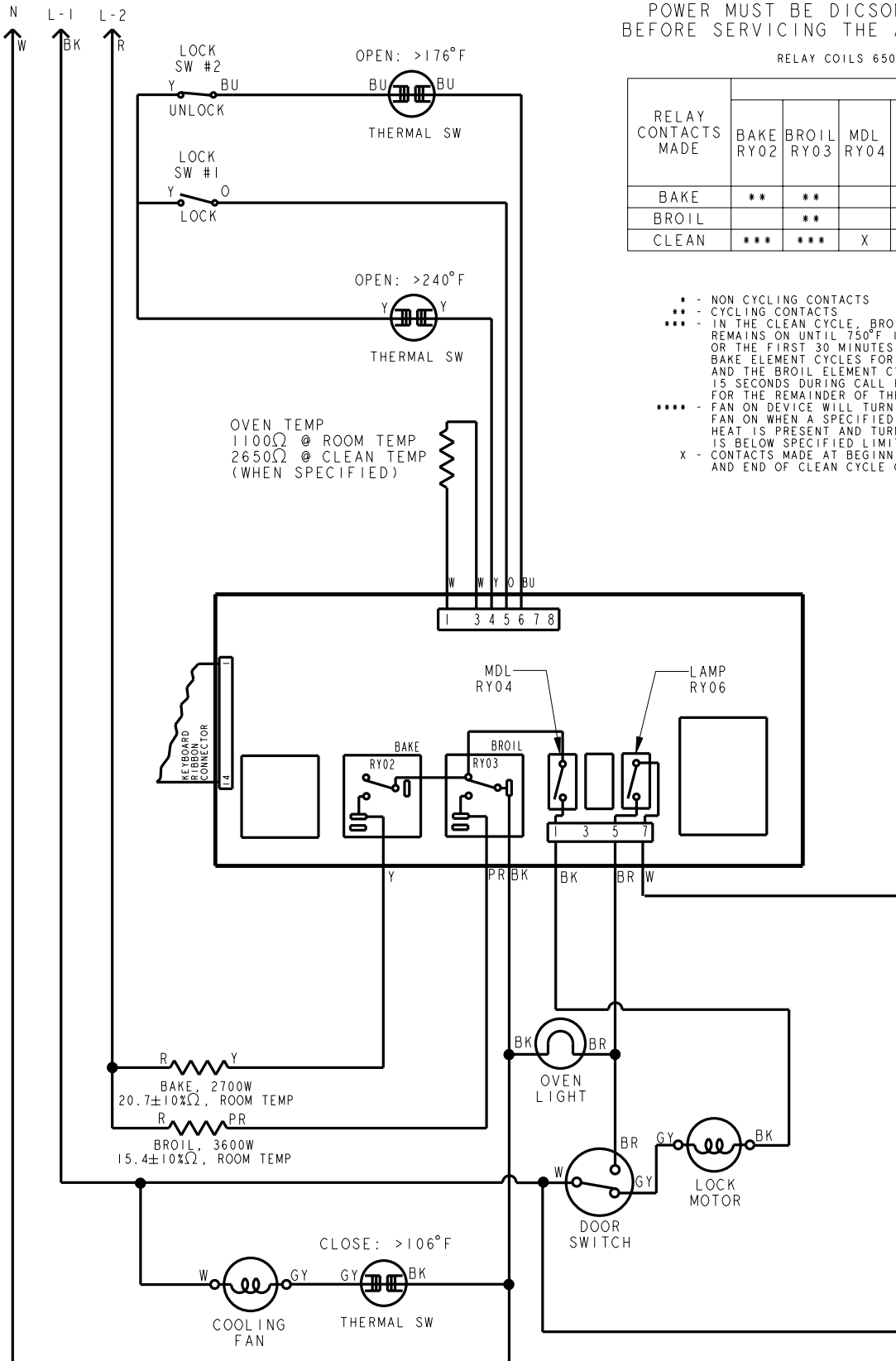
PT. NO. 229C5051P002

SCHEMATIC DIAGRAM
WARNING
POWER MUST BE DISCONNECTED
BEFORE SERVICING THE APPLIANCE

RELAY COILS 650Ω 24VDC

RELAY CONTACTS MADE	BAKE RY02	BROIL RY03	MDL RY04	LAMP RY06	FAN ON DEVICE
BAKE	**	**		*	****
BROIL		**		*	****
CLEAN	***	***	X		****

- * - NON CYCLING CONTACTS
- ** - CYCLING CONTACTS
- *** - IN THE CLEAN CYCLE, BROIL ELEMENT REMAINS ON UNTIL 750°F IS REACHED OR THE FIRST 30 MINUTES. THEN, THE BAKE ELEMENT CYCLES FOR 60 SECONDS AND THE BROIL ELEMENT CYCLES FOR 15 SECONDS DURING CALL FOR HEAT FOR THE REMAINDER OF THE CYCLE.
- **** - FAN ON DEVICE WILL TURN THE COOLING FAN ON WHEN A SPECIFIED AMOUNT OF HEAT IS PRESENT AND TURN OFF WHEN TEMP IS BELOW SPECIFIED LIMIT.
- X - CONTACTS MADE AT BEGINNING AND END OF CLEAN CYCLE ONLY.



Model JKP86 Schematic

PT. NO. **2295152P001**

SCHEMATIC DIAGRAM
WARNING
POWER MUST BE DISCONNECTED
BEFORE SERVICING THE APPLIANCE

RELAY COILS 650Ω 24VDC

WIRE COLORS	
BLACK	BK
BROWN	BR
BLUE	BU
GREEN	GN
ORANGE	O
PURPLE	PR
RED	R
YELLOW	Y
GREY	GY
WHITE	W

RELAY CONTACTS MADE	ERC				
	BAKE RLY103	BROIL RLY102	LIGHT RLY105	LOCK MOTOR RLY101	FAN ON DEVICE
BAKE +	**	**	*		****
BROIL		**	*		****
CLEAN	***	***		X	****

- NON CYCLING CONTACTS
- CYCLING CONTACTS
- IN THE CLEAN CYCLE, BROIL ELEMENT REMAINS ON UNTIL 750°F IS REACHED OR THE FIRST 30 MINUTES. THEN, THE BAKE ELEMENT CYCLES FOR 60 SECONDS AND THE BROIL ELEMENT CYCLES FOR 15 SECONDS DURING CALL FOR HEAT FOR THE REMAINDER OF THE CYCLE.
- FAN ON DEVICE WILL TURN THE COOLING FAN ON WHEN A SPECIFIED AMOUNT OF HEAT IS PRESENT AND TURN OFF WHEN TEMP IS BELOW SPECIFIED LIMIT.
- X - CONTACTS MADE AT BEGINNING AND END OF CLEAN CYCLE ONLY.

