

Service Bulletin

FEBRUARY 2005

COOKING PRODUCTS
ADVANTIUM 120 OVENS
MODELS SCA1000 AND SCA1001

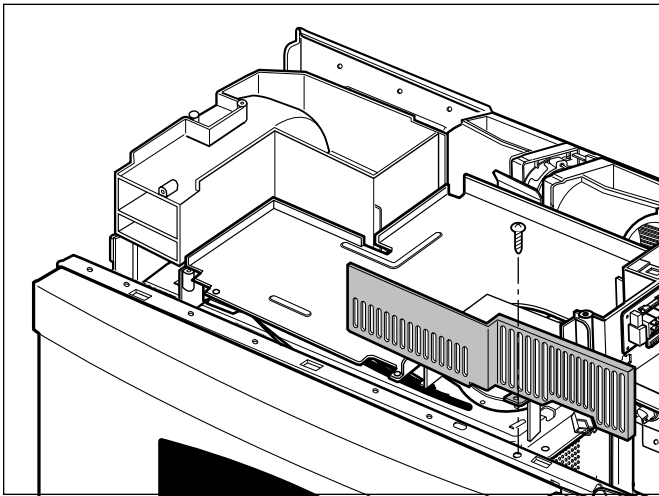
RA 01-05

CAVITY TCO OPENING AFTER LONG USE OF HIGH HEAT

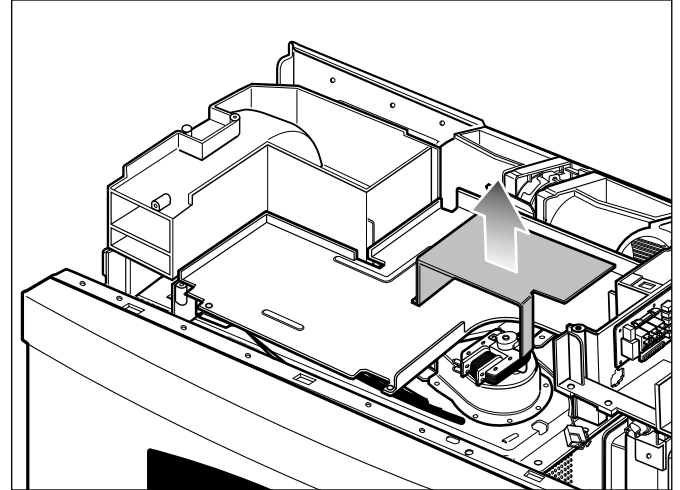
Calls have been reported concerning the 120 volt Advantium ovens stopping in the middle of cooking. During long bake or high heat cycles, the cavity TCO can open causing the unit to stop functioning.

To prevent this from reoccurring install kit WB49X10149. The kit contains a new wave guide cover and outlet duct. This new design helps to insulate the thermostat from external temperatures and provides a more accurate measurement of cavity temperature.

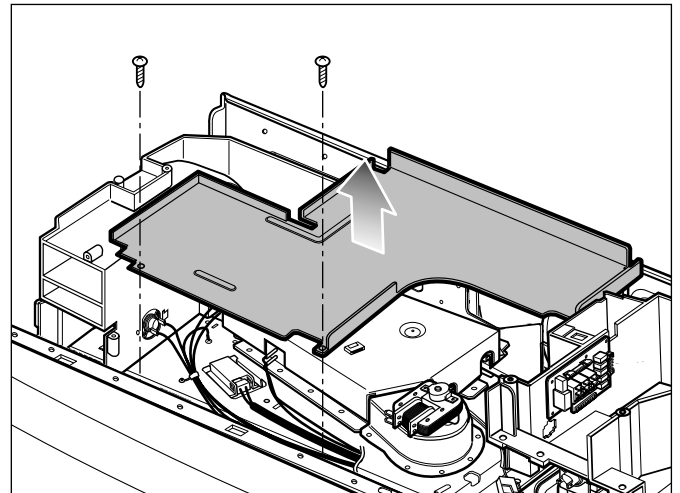
1. Remove the outer case and grille.



2. Remove the stirrer motor cover.

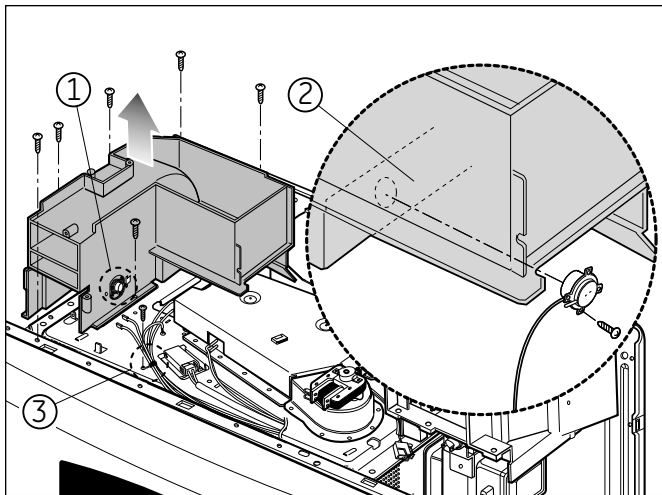


3. Remove the wave guide cover and discard.

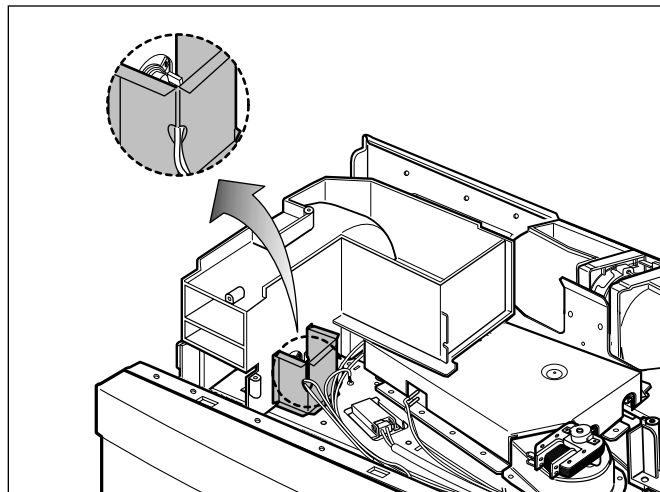


4. Remove the outlet duct.

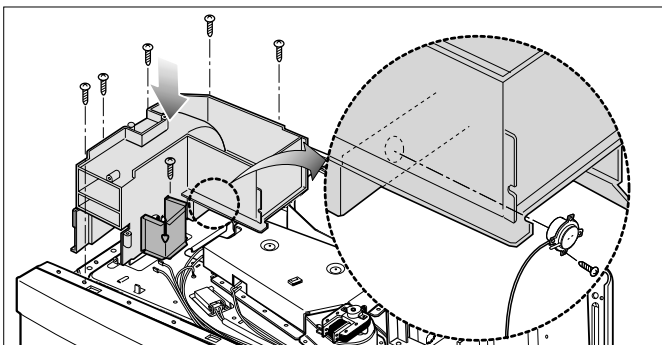
- Disconnect the thermostat wiring from the thermostat (1).
- Remove the humidity sensor from the duct (2).
- Unfasten the hold-down for the humidity sensor ground wire (3).
- Discard the old outlet duct and thermostat.



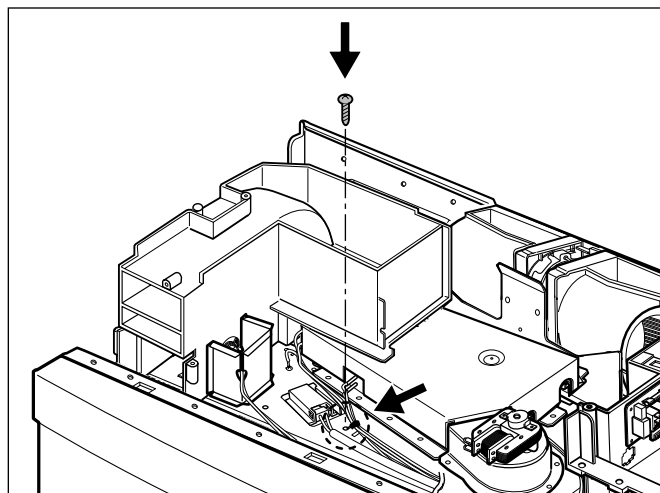
6. Reconnect the thermostat wiring on the new thermostat, placing the wires through the insulated cover exactly as shown in the illustration below.



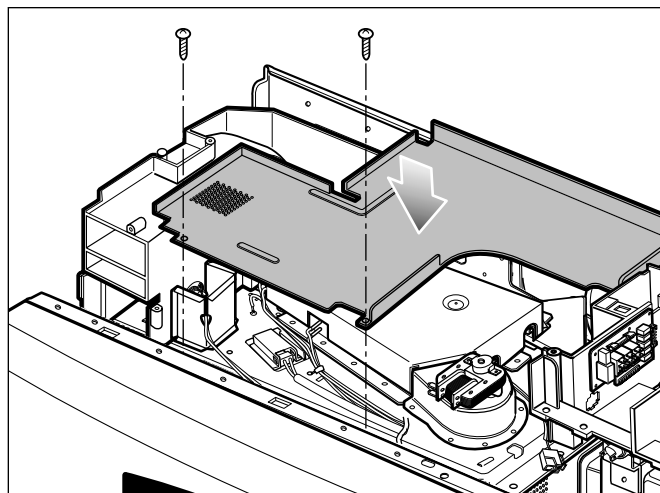
5. Mount the humidity sensor on the new outlet duct and install the duct.



7. Relocate the hold-down for the humidity sensor ground wire as shown below.



8. Install the new wave guide cover and reassemble the unit. Test for proper operation.



GE Appliances
General Electric Company
Louisville, Kentucky 40225