

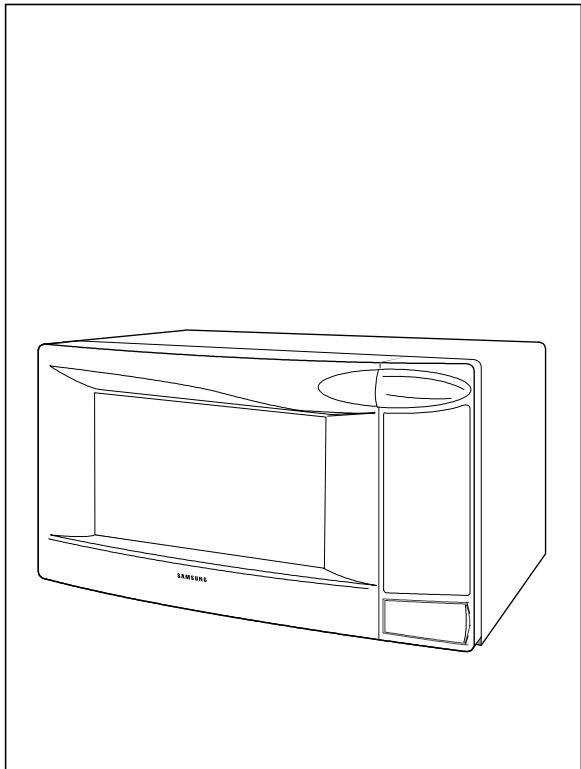


# MICROWAVE OVEN

ME1260SB

# SERVICE *Manual*

## MICROWAVE OVEN



SEA

## CONTENTS

- 1. Precaution
- 2. Specifications
- 3. Operating Instructions
- 4. Disassembly and Reassembly
- 5. Alignment and Adjustments
- 6. Troubleshooting
- 7. Exploded Views and Parts List
- 8. PCB Diagrams
- 9. Schematic Diagrams

## **PRECAUTIONS TO BE OBSERVED BEFORE AND DURING SERVICING TO AVOID POSSIBLE EXPOSURE TO EXCESSIVE MICROWAVE ENERGY**

- (a) Do not operate or allow the oven to be operated with the door open.
  - (b) Make the following safety checks on all ovens to be serviced before activating the magnetron or other microwave source, and make repairs as necessary:
    - (1) Interlock operation,
    - (2) proper door closing,
    - (3) seal and sealing surfaces (arcing, wear, and other damage),
    - (4) damage to or loosening of hinges and latches.
    - (5) evidence of dropping or abuse.
  - (c) Before turning on microwave power for any service test or inspection within the microwave generating compartments, check the magnetron, wave guide or transmission line, and cavity for proper alignment, integrity, and connections.
  - (d) Any defective or misadjusted components in the interlock, monitor, door seal, and microwave generation and transmission systems shall be repaired, replaced, or adjusted by procedures described in this manual before the oven is released to the owner.
  - (e) A microwave leakage check to verify compliance with the Federal performance standard should be performed on each oven prior to release to the owner.
-

---

# 1. Precaution

---

Follow these special safety precautions. Although the microwave oven is completely safe during ordinary use, repair work can be extremely hazardous due to possible exposure to microwave radiation, as well as potentially lethal high voltages and currents.

## 1-1 Safety precautions (⚠)

---

1. All repairs should be done in accordance with the procedures described in this manual. This product complies with Federal Performance Standard 21 CFR. Subchapter J (DHHS).
  2. Microwave emission check should be performed prior to servicing if the oven is operative.
  3. If the oven operates with the door open : Instruct the user not to operate the oven and contact the manufacturer and the center for devices and radiological health immediately.
  4. Notify the Central Service Center if the microwave leakage exceeds 5 mW/cm<sup>2</sup>
  5. Check all grounds.
  6. Do not power the MWO from a "2-prong" AC cord. Be sure that all of the built-in protective devices are replaced. Restore any missing protective shields.
  7. When reinstalling the chassis and its assemblies, be sure to restore all protective devices, including: nonmetallic control knobs and compartment covers.
  8. Make sure that there are no cabinet openings through which people -- particularly children -- might insert objects and contact dangerous voltages. Examples: Lamp hole, ventilation slots.
  9. Inform the manufacturer of any oven found to have emission in excess of 5 mW/cm<sup>2</sup> , Make repairs to bring the unit into compliance at no cost to owner and try to determine cause. Instruct owner not to use oven until it has been brought into compliance.
- CENTRAL SERVICE CENTER**
10. Service technicians should remove their watches while repairing an MWO.
  11. To avoid any possible radiation hazard, replace parts in accordance with the wiring diagram. Also, use only the exact replacements for the following parts: Primary and secondary interlock switches, interlock monitor switch.
  12. If the fuse is blown by the Interlock Monitor Switch: Replace all of the following at the same time: Secondary, door sensing switch and power relay, as well as the Interlock Monitor Switch. The correct adjustment of these switches is described elsewhere in this manual. Make sure that the fuse has the correct rating for the particular model being repaired.
  13. Design Alteration Warning: Use exact replacement parts only, i.e., only those that are specified in the drawings and parts lists of this manual. This is especially important for the Interlock switches, described above. Never alter or add to the mechanical or electrical design of the MWO. Any design changes or additions will void the manufacturer's warranty. Always unplug the unit's AC power cord from the AC power source before attempting to remove or reinstall any component or assembly.
  14. Never defeat any of the B+ voltage interlocks. Do not apply AC power to the unit (or any of its assemblies) unless all solid-state heat sinks are correctly installed.
  15. Some semiconductor ("solid state") devices are easily damaged by static electricity. Such components are called Electrostatically Sensitive Devices (ESDs). Examples include integrated circuits and field -effect transistors. Immediately before handling any semiconductor components or assemblies, drain the electrostatic charge from your body by touching a known earth ground.
  16. Always connect a test instrument's ground lead to the instrument chassis ground before connecting the positive lead; always remove the instrument's ground lead last.

## 1-2 Special Servicing Precautions (Continued)

17. When checking the continuity of the witches or transformer, always make sure that the power is OFF, and one of the lead wires is disconnected.

18. Components that are critical for safety are indicated in the circuit diagram by shading, ⚠ or ⚡ .

19. Use replacement components that have the same ratings, especially for flame resistance and dielectric strength specifications. A replacement part that does not have the same safety characteristics as the original might create shock, fire or other hazards.

NOTE : Connect the oven to a 20A. When connecting the oven to a 15A, make sure that circuit breaker can operate.

## 1-3 Special High Voltage Precautions

### 1. High Voltage Warning

Do not attempt to measure any of the high voltages -- this includes the filament voltage of the magnetron. High voltage is present during any cook cycle.

Before touching any components or wiring, always unplug the oven and discharge the high voltage capacitor (See Figure 1-1)

2. The high-voltage capacitor remains charged about 30 seconds after disconnection. Short the negative terminal of the high-voltage capacitor to the oven chassis. (Use a screwdriver.)

3. High voltage is maintained within specified limits by close-tolerance, safety-related components and adjustments. If the high voltage exceeds the specified limits, check each of the special components.

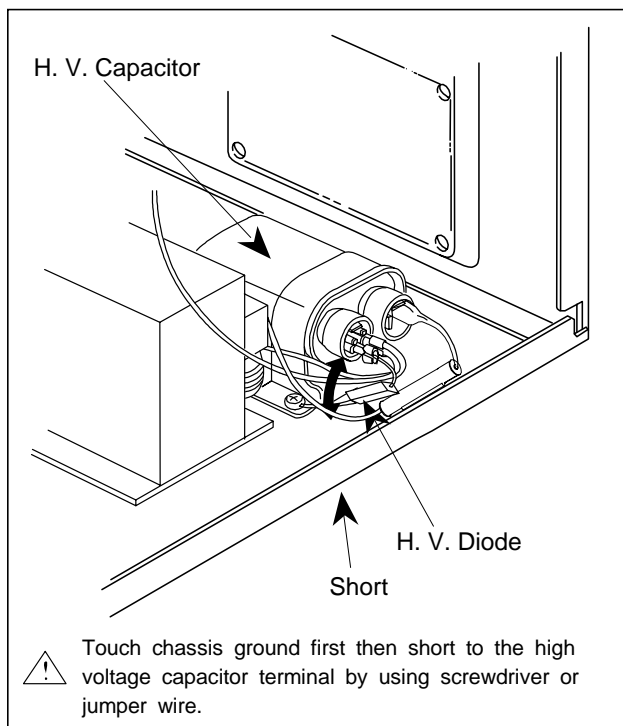


Fig. 1-1 Discharging High Voltage Capacitor

### PRECAUTION

There exists HIGH VOLTAGE ELECTRICITY with high current capabilities in the circuits of the HIGH VOLTAGE TRANSFORMER secondary and filament terminals. It is extremely dangerous to work on or near these circuits with the oven energized.

DO NOT measure the voltage in the high voltage circuit including filament voltage of magnetron.

### PRECAUTION

Never touch any circuit wiring with your hand nor with uninsulated tool during operation.

### PRECAUTION

Servicemen should remove their watches whenever working close to or replacing the magnetron.

---

## 2. Specifications

---

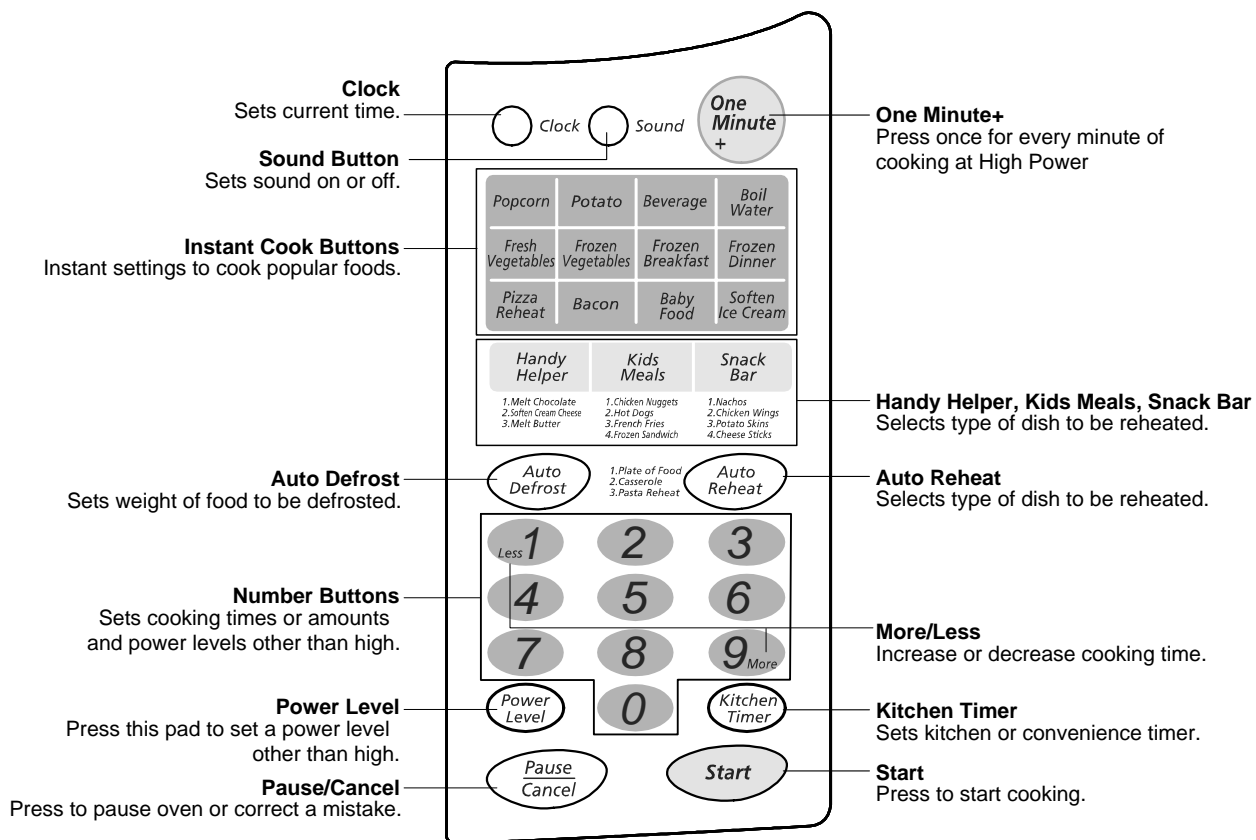
### 2-1 Table of Specifications

---

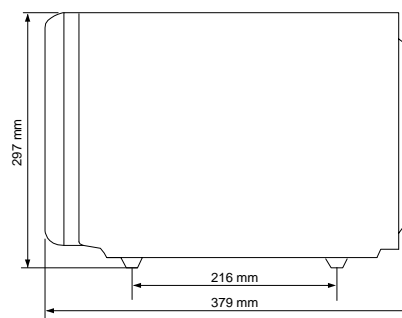
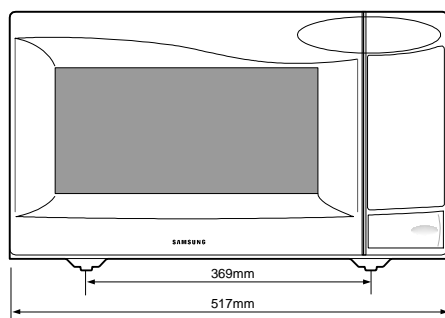
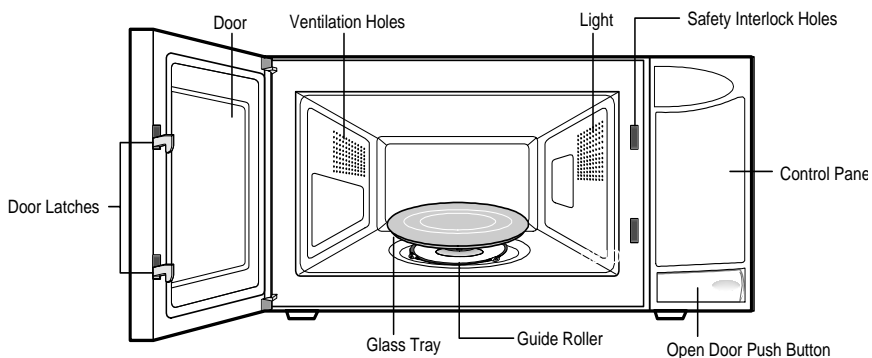
TIMER	99 MINUTES 99SECONDS
POWER SOURCE	120V 60Hz, AC
POWER CONSUMPTION	MICROWAVE : 1,550W
OUTPUT POWER	1050W ( 10 LEVEL POWER )
OPERATING FREQUENCY	2,450MHz
MAGNETRON	OM75PH(31)ESS
COOLING METHOD	COOLING FAN MOTOR
OUTSIDE DIMENSIONS	20 <sup>19/32</sup> (W) x 11 <sup>45/64</sup> (H) x 16 <sup>1/4</sup> (D)
NET WEIGHT	33 lbs.
SHIPPING WEIGHT	36 lbs.

## 3. Operating Instructions

### 3-1 Control Panel



### 3-2 Features & External Views



---

## 4. Disassembly and Reassembly

---

### 4-1 Replacement of Magnetron, Motor Assembly and Lamp

---

Remove the magnetron including the shield case, permanent magnet, choke coils and capacitors (all of which are contained in one assembly).

1. Disconnect all lead wires from the magnetron and lamp.
2. Remove a screw securing air cover.
3. Remove the air cover.
4. Remove screws securing the magnetron to the wave guide.
5. Take out the magnetron very carefully.
6. Remove tow from the back panel of fan motor assembly.
7. Take out the fan motor assembly.
8. Remove the oven lamp by rotating to pull out from hole of air cover.

NOTE1: When removing the magnetron, make sure that its antenna does not hit any adjacent parts, or it may be damaged.

NOTE2: When replacing the magnetron, be sure to remount the magnetron gasket in the correct position and make sure the gasket is in good condition.

### 4-2 Replacement of High Voltage Transformer

---

1. Discharge the high voltage capacitor.
2. Disconnect all the leads.
3. Remove the mounting bolts.
4. Reconnect the leads correctly and firmly.

**PRECAUTION**

Servicemen should remove their watches whenever working close to or replacing the magnetron.

**PRECAUTION**

There exists HIGH VOLTAGE ELECTRICITY with high current capabilities in the circuits of the HIGH VOLTAGE TRANSFORMER secondary and filament terminals. It is extremely dangerous to work on or near these circuits with the oven energized.  
DO NOT measure the voltage in the high voltage circuit including filament voltage of magnetron.

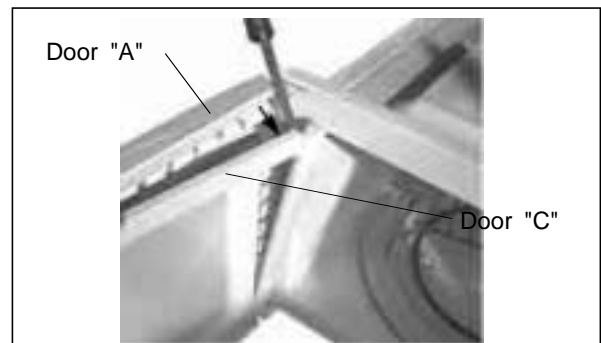
---

## 4-3 Replacement of Door Assembly

---

### 4-3-1 Removal of Door "C"

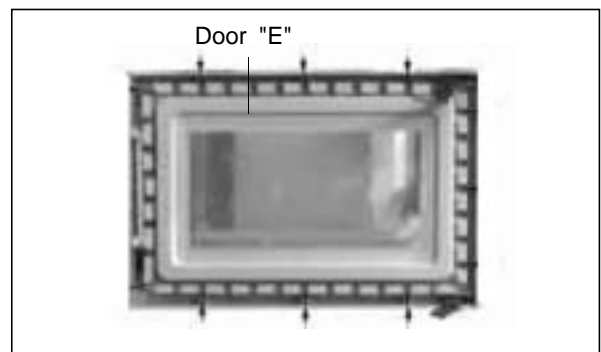
Insert flat screw driver into the gap between Door "A" and Door "C" to remove Door "C". Be careful when handling Door "C" because it is fragile. Then remove the door assembly.



### 4-3-2 Removal of Door "E"

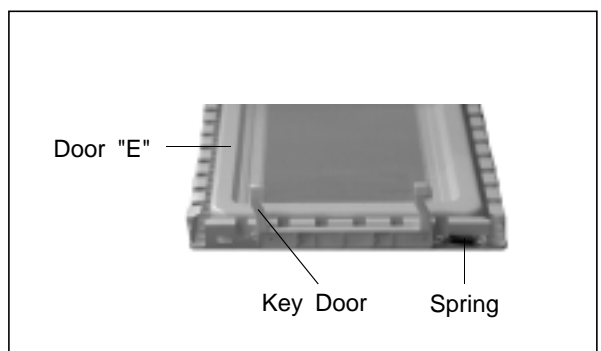
Following the procedure as shown in the figure, insert and bend a thin metal plate between Door "E" and Door "A" until you hear the 'tick' sound.

1. Insertion depth of the thin metal plate should be 0.5mm or less.



### 4-3-3 Removal of Key Door & Spring

Remove pin hinge from Door "E"  
Detach spring from Door "E" and key door.





---

## 4-3-4 Reassembly Test

---

After replacement of the defective component parts of the door, reassemble it and follow the instructions below for proper installation and adjustment so as to prevent an excessive microwave leakage.

1. When mounting the door to the oven, be sure to adjust the door parallel to the bottom line of the oven face plate by moving the upper hinge and lower hinge in the direction necessary for proper alignment.
2. Adjust so that the door has no play between the inner door surface and oven front surface. If the door assembly is not mounted properly, microwave energy may leak from the space between the door and oven.
3. Do the microwave leakage test.

---

## 4-4 Replacement of Fuse

---

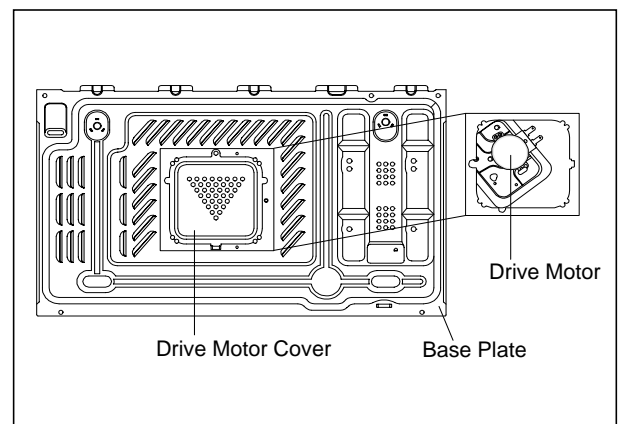
1. Disconnect the oven from the power source.
2. When 20A fuse blows out by the operation of interlock monitor switch failure, replace the primary interlock switch, door sensing switch, monitor switch and power relay.
3. When the above three switches operate properly, check if any other part such as the control circuit board, blower motor or high voltage transformer is defective.

---

## 4-5 Replacement of Drive Motor

---

1. Take out the glass tray, guide roller from cavity.
2. Turn the oven upside down to replace the drive motor.
3. Remove a screw securing the drive motor cover or disconnect the drive motor cover from base plate by nipper.
4. Disconnect all the lead wires from the drive motor.
5. Remove screws securing the drive motor to the cavity.
6. Remove the drive motor and the coupler.
7. When replacing the drive motor, be sure to remount it in the correct position with the coupler.
8. Connect all the leads to the drive motor.
9. Screw the drive motor cover to the base plate with a screw driver.



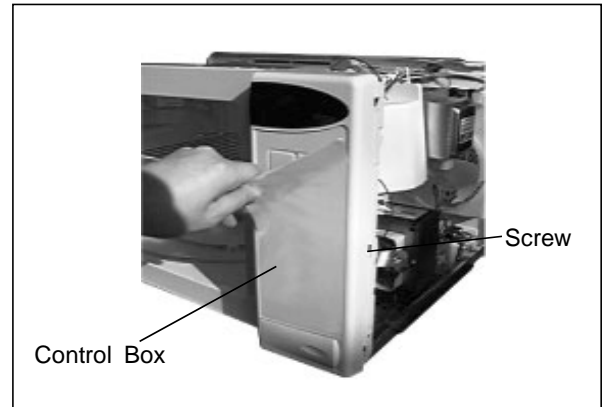
---

## 4-6 Replacement of Control Circuit Board

---

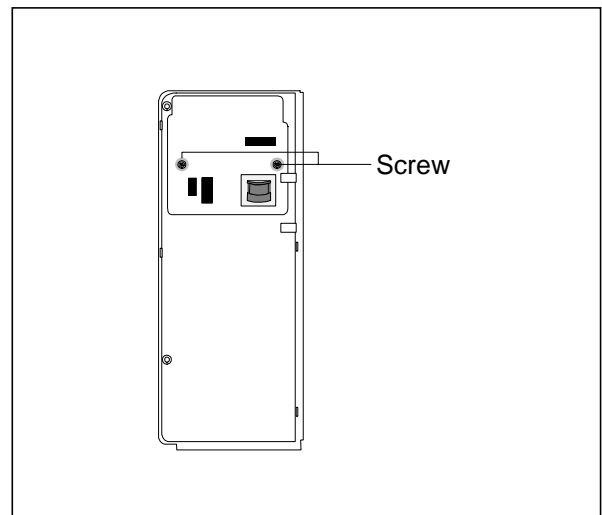
### 4-6-1 Removal of Control Box

1. Be sure to ground any static electric charge in your body and never touch the control circuit.
2. Disconnect the connectors from the control circuit board.
3. Remove screws securing the control box assembly.
4. Remove the screw securing the ground tail of the keyboard.



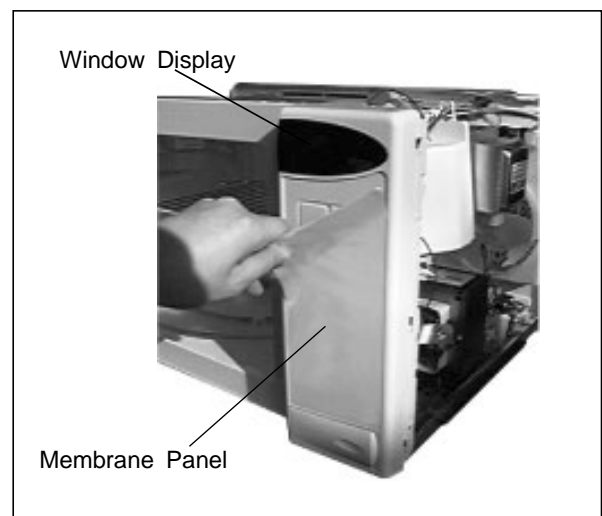
### 4-6-2 Removal of P.C.B Assembly

1. Pull the lever end of the plastic fastener and remove the Flexible Printed Circuit(FPC) of membrane panel.
2. Remove screws securing the control circuit board.
3. Lift up the control circuit board from the Ass'y control box.
4. When reconnecting the FPC connector, make sure that the holes on the connector are properly engaged with the hooks on the Plastic Fastener.



### 4-6-3 Removal of Window Display & Membrane Panel

1. Window display should not be disassembled as its mounting tabs will be broken. If repair work is difficult, replace with Ass'y control panel.
2. The membrane key board is attached to the escutcheon base with double faced adhesive tape. Therefore, applying hot air such as using of hair dryer is recommended for smoother removal.
3. When installing new membrane key board, make sure that the surface of escutcheon base is cleaned sufficiently so that any problems (shorted contacts or uneven surface) can be avoided.



## 5. Alignment and Adjustments

### PRECAUTION

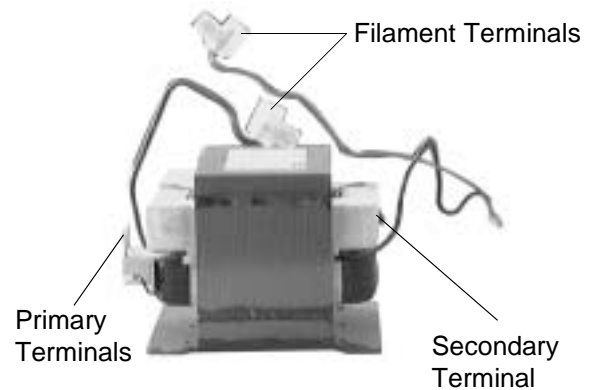
1. High voltage is present at the high voltage terminals during any cook cycle.
2. It is neither necessary nor advisable to attempt measurement of the high voltage.
3. Before touching any oven components or wiring, always unplug the oven from its power source and discharge the high voltage capacitor.

### 5-1 High Voltage Transformer

1. Remove connectors from the transformer terminals and check continuity.
2. Normal resistance readings are as follows:

	SHV-U11KA
Secondary	$99\Omega \pm 5\%$
Filament	Shows Continuity
Primary	$0.32\Omega \pm 5\%$

(Room temperature = 20°C)



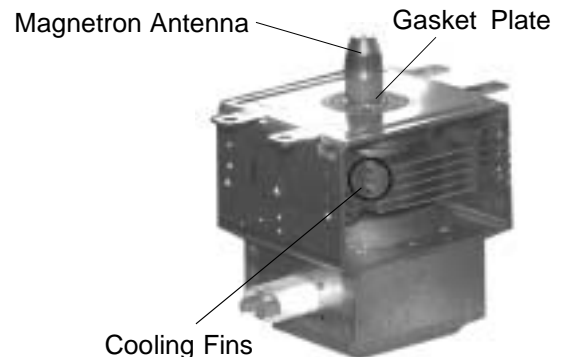
### 5-2 Low Voltage Transformer

1. The low voltage transformer is located on the control circuit board.
2. Remove the low voltage transformer from the PCB Ass'y and check continuity.
3. Normal resistor reading is shown in the table.

Terminals	Resistance
	SLV-5896U
1~2(Input)	$379\Omega$
3~4(Output7V)	$10.23\Omega$
5~6(Output17V)	$31.91\Omega$

### 5-3 Magnetron

1. Continuity checks can indicate only an open filament or a shorted magnetron. To diagnose an open filament or shorted magnetron :
2. Isolate the magnetron from the circuit by disconnecting its leads.
3. A continuity check across the magnetron filament terminals should indicate one ohm or less.
4. A continuity check between each filament terminal and magnetron case should read open.



## 5-4 High Voltage Capacitor

1. Check continuity of the capacitor with the meter set at the highest resistance scale.
2. Once the capacitor is charged, a normal capacitor shows continuity for a short time, and then indicates  $9M\Omega$ .
3. A shorted capacitor will show continuous continuity.
4. An open capacitor will show constant  $9M\Omega$ .
5. Resistance between each terminal and chassis should read infinite.

## 5-5 High Voltage Diode

1. Isolate the diode from the circuit by disconnecting its leads.
2. With the ohm-meter set at the highest resistance scale, measure across the diode terminals. Reverse the meter leads and read the resistance. A meter with 6V, 9V or higher voltage batteries should be used to check the front-to back resistance of the diode (otherwise an infinite resistance may be read in both directions). The resistance of a normal diode will be infinite in one direction and several hundred  $K\Omega$  in the other direction.

## 5-6 Main Relay and Power Control Relay

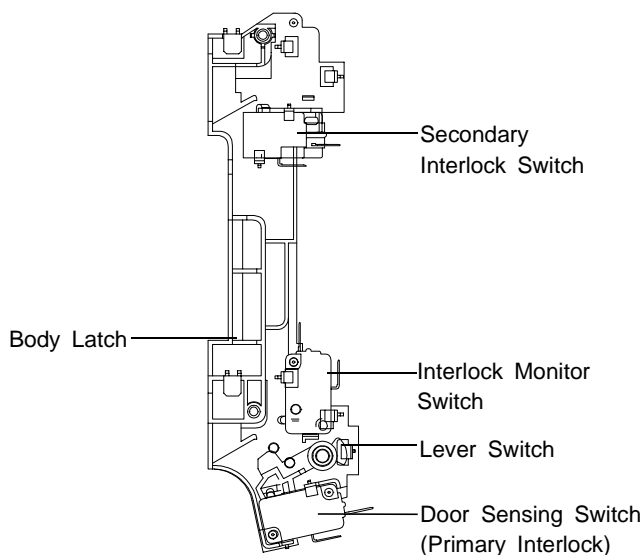
1. The relays are located on the PCB Ass'y. Isolate them from the main circuit by disconnecting the leads.
2. Operate the microwave oven with a water load in the oven. Set the power level set to high.
3. Check continuity between terminals of the relays after the start pad is pressed.

## 5-7 Adjustment of Secondary Switch, Door Sensing Switch and Monitor Switch

### Precaution

For continued protection against radiation hazard, replace parts in accordance with the wiring diagram and be sure to use the correct part number for the following switches: Primary and secondary interlock switches, and the interlock monitor switch (replace all together). Then follow the adjustment procedures below. After repair and adjustment, be sure to check the continuity of all interlock switches and the interlock monitor switch.

1. When mounting Primary switch and Interlock Monitor switch to Latch Body, consult the figure.
2. No specific adjustment during installation of Primary switch Secondary switch and Monitor switch to the latch body is necessary.
3. When mounting the Latch Body to the oven assembly, adjust the Latch Body by moving it so that the oven door will not have any play in it. Check for play in the door by pulling the door assembly. Make sure that the latch keys move smoothly after adjustment is completed. Completely tighten the screws holding the Latch Body to the oven assembly.
4. Reconnect to Monitor switch and check the continuity of the monitor circuit and all latch switches again by following the components test procedures.
5. Confirm that the gap between the switch housing and the switch actuator is no more than 0.5mm when door is closed.
6. **Interlock Switch Replacement** - When replacing faulty switches, be sure switch mounting tabs are not bent, broken or otherwise deficient in their ability to secure the switches in place.



	Door Open	Door Closed
Secondary Interlock switch	$\infty$	0
Monitor switch (COM-NC)	0	$\infty$
Door Sensing switch (Primary Interlock)	$\infty$	0

---

## 5-8 Output Power of Magnetron

---

### CAUTION

#### MICROWAVE RADIATION

PERSONNEL SHOULD NOT ALLOW EXPOSURE TO MICROWAVE RADIATION FROM MICROWAVE GENERATOR OR OTHER PARTS CONDUCTING MICROWAVE ENERGY.

The output power of the magnetron can be measured by performing a water temperature rise test.

Equipment needed :

\* Two 1-liter cylindrical borosilicate glass vessel (Outside diameter 190 mm)

\* One glass thermometer with mercury column

NOTE: Check line voltage under load. Low voltage will lower the magnetron output. Make all temperature and time tests with accurate equipment.

1. Fill the one liter glass vessel with water.
2. Stir water in glass vessel with thermometer, and record glass vessel's temperature ("T1", 10±1°C).
3. After moving the water into another glass vessel, place it in the center of the cooking tray. Set the oven to high power and operate for 41seconds exactly. (3 seconds included as a holding time of magnetron oscillation:)
4. When heating is finished, stir the water again with the thermometer and measure the temperature ("T2").
5. Subtract T1 from T2. This will give you the water temperature rise. ( $\Delta T$ )
6. The output power is obtained by the following formula;

$$\text{Output Power} = \frac{4.187 \times 1000 \times \Delta T + 0.55 \times Mc \times (T_2 - T_0)}{38}$$

41 : Heating Time (sec)

38 : Counting Time (sec)

4.187 : Coefficient for Water

1000 : Water (cc)

$\Delta T$  : Temperature Rise (T1-T2)

To : Room Temperature

Mc : Cylindrical borosilicate glass weight

7. Normal temperature rise for this model is 9.3°C to 10.5°C at 'HIGH'.

NOTE 1: Variations or errors in the test procedure will cause a variance in the temperature rise.

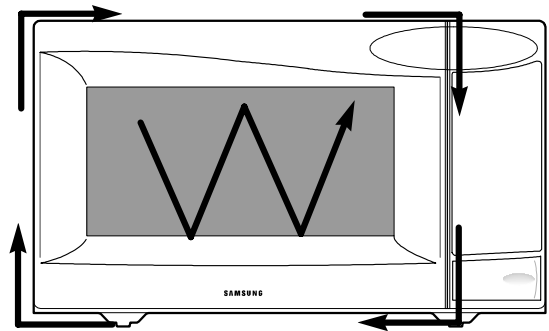
Additional power test should be made if temperature rise is marginal.

---

## 5-9 Procedure for Measurement of Microwave Energy Leakage

---

- 1) Pour 275±15cc of 20±5°C(68±9°F) water in a beaker which is graduated to 600cc, and place the beaker in the center of the oven.
- 2) Start to operate the oven and measure the leakage by using a microwave energy survey meter.
- 3) Set survey meter with dual ranges to 2,450MHz.
- 4) When measuring the leakage, always use the 2 inch spacer cone with the probe. Hold the probe perpendicular to the cabinet door. Place the spacer cone of the probe on the door and/or cabinet door seam and move along the seam, the door viewing window and the exhaust openings moving the probe in a clockwise direction at a rate of 1 inch/sec. If the leakage testing of the cabinet door seam is taken near a corner of the door, keep the probe perpendicular to the areas making sure that the probe end at the base of the cone does not get closer than 5cm to any metal. If it gets closer than 5cm, erroneous readings may result.
- 5) Measured leakage must be less than 4mW/cm<sup>2</sup>, after repair or adjustment.



Maximum allowable leakage is 5mW/cm<sup>2</sup> .  
4mW/cm<sup>2</sup> is used to allow for measurement and meter accuracy

---

## 5-10 Check for Microwave Leakage

---

1. Remove the outer panel.
2. Pour 275±15cc of 20±5°C(68±9°F) water in a beaker which is graduated to 600cc, and place the beaker in the center of the oven.
3. Start the oven at the highest power level.
4. Set survey meter dual ranges to 2,450MHz.
5. Using the survey meter and spacer cone as described above, measure near the opening of magnetron, the surface of the air guide and the surface of the wave guide as shown in the following photo.( but avoid the high voltage components.) The reading should be less than 4mW/cm<sup>2</sup> .



---

## 5-11 Note on Measurement

---

- 1) Do not exceed the limited scale.
- 2) The test probe must be held on the grip of the handle, otherwise a false reading may result when the operator's hand is between the handle and the probe.
- 3) When high leakage is suspected, do not move the probe horizontally along the oven surface; this may cause damage to the probe.
- 4) Follow the recommendation of the manufacturer of the microwave energy survey meter.

---

## 5-12 Leakage Measuring Procedure

---

### 5-12-1 Record keeping and notification after measurement

- 1) After adjustment and repair of a radiation preventing device, make a repair record for the measured values, and keep the data.
- 2) If the radiation leakage is more than 4mW/cm<sup>2</sup> after determining that all parts are in good condition, functioning properly and the identical parts are replaced as listed in this manual notify that fact to ;

### CENTRAL SERVICE CENTER

- 5-12-2 At least once a year have the microwave energy survey meter checked for accuracy by its manufacturer.
-

## 6. Troubleshooting

### PRECAUTION

1. CHECK GROUNDING BEFORE CHECKING FOR TROUBLE.
2. BE CAREFUL OF THE HIGH VOLTAGE CIRCUIT.
3. DISCHARGE THE HIGH VOLTAGE CAPACITOR.
4. WHEN CHECKING THE CONTINUITY OF THE SWITCHES OR TRANSFORMER, DISCONNECT ONE LEAD WIRE FROM THESE PARTS AND THEN CHECK CONTINUITY WITHOUT THE POWER SOURCE ON. TO DO OTHERWISE MAY RESULT IN A FALSE READING OR DAMAGE TO YOUR METER.
5. DO NOT TOUCH ANY PART OF THE CIRCUIT OR THE CONTROL CIRCUIT BOARD, SINCE STATIC DISCHARGE MAY DAMAGE IT.  
ALWAYS TOUCH GROUND WHILE WORKING ON IT TO DISCHARGE ANY STATIC CHARGE BUILT UP.

### 6-1 Electrical Malfunction

SYMPTOM	CAUSE	CORRECTIONS
Oven is dead. Fuse is OK. No display and no operation at all .	<ol style="list-style-type: none"> <li>1. Open or loose lead wire harness</li> <li>2. Open thermal cutout (Magnetron)</li> <li>3. Open low voltage transformer</li> <li>4. Defective Ass'y PCB</li> </ol>	<p>Check fan motor when thermal cutout is defective. Check Ass'y PCB when L.V.T is defective.</p>
No display and no operation at all. Fuse is blown.	<ol style="list-style-type: none"> <li>1. Shorted lead wire harness</li> <li>2. Defective Secondary latch switch (NOTE 1)</li> <li>3. Defective monitor switch (NOTE1)</li> <li>4. Shorted H.V.Capacitor</li> <li>5. Shorted H.V.Transformer (NOTE2)</li> </ol> <p>NOTE 1: All of these switches must be replaced at the same time. (refer to adjustment instructions) Check continuity of power relay contacts and if it has continuity, replace power relay also.</p> <p>NOTE 2: When H.V.Transformer is replaced, check diode and magnetron also.</p>	<p>Check adjustment of , Secondary interlock monitor, power relay, door sensing switch.</p>
Oven does not accept key input (Program)	<ol style="list-style-type: none"> <li>1. Key input is not in-Sequence</li> <li>2. Open or loose connection of membrane key pad to Ass'y PCB</li> <li>3. Shorted or open membrane panel</li> <li>4. Defective Ass'y PCB</li> </ol>	<p>Refer to operation procedure.</p> <p>Replace PCB main.</p>
Timer starts countdown but no microwave oscillation. (No heat while oven lamp and fan motor turn on.)	<ol style="list-style-type: none"> <li>1. Off-alignment of latch switches</li> <li>2. Open or loose connection of high voltage circuit especially magnetron filament circuit</li> </ol> <p>NOTE: Large contact resistance will bring lower magnetron filament voltage and cause magnetron to lower output and/or intermittent oscillation.</p> <ol style="list-style-type: none"> <li>3. Defective high voltage components H.V.Transformer H.V. Capacitor H.V.Diode, Magnetron</li> <li>4. Open or loose wiring of power relay</li> <li>5. Defective Secondary latch switch</li> <li>6. Defective power relay or Ass'y PCB</li> </ol>	<p>Adjust door and latch switches.</p> <p>Check high voltage component according to component test procedure and replace if it is defective.</p> <p>Replace PCB main.</p>

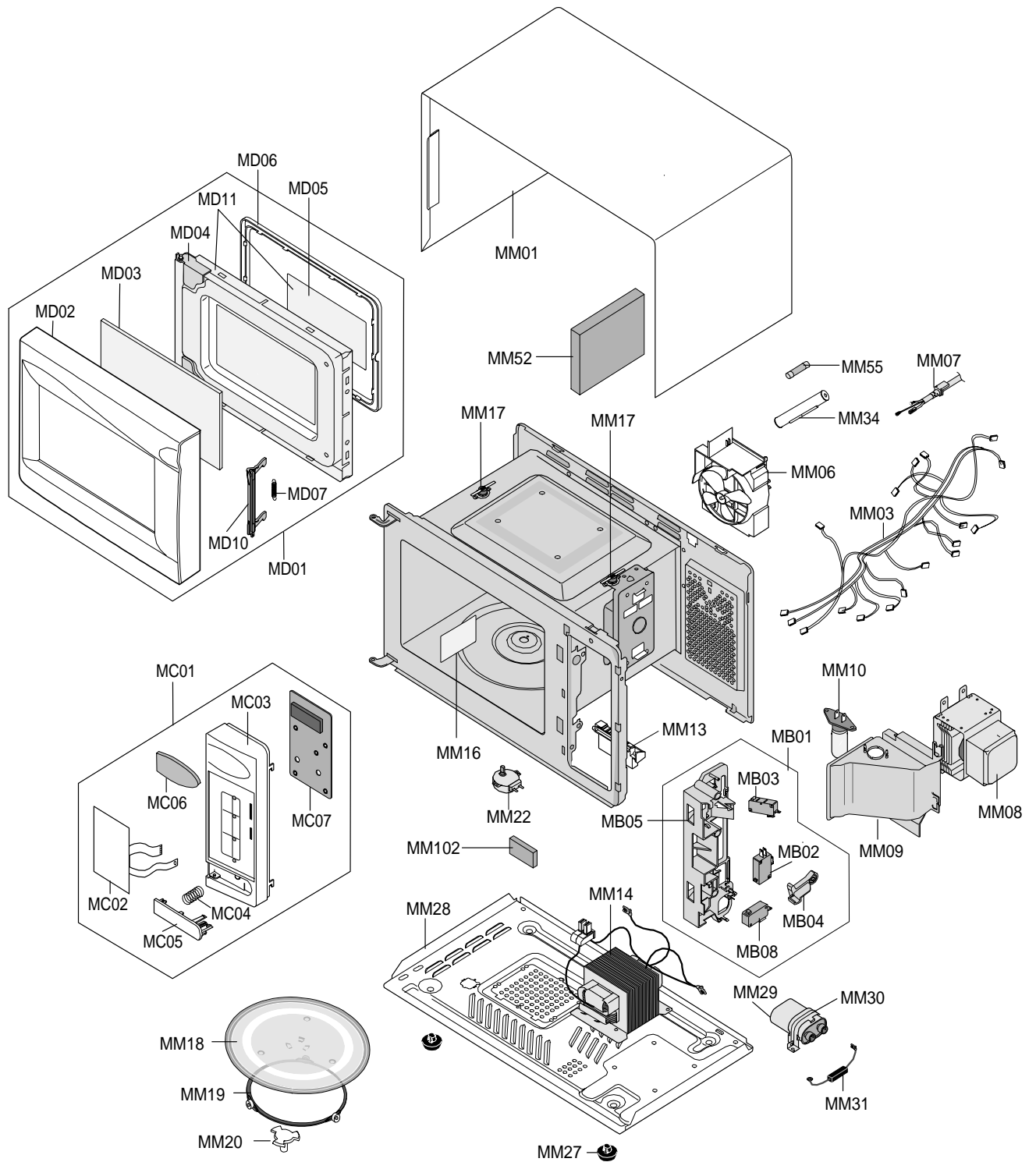
## 6-1 Electrical Malfunction(continued)

SYMPTOM	CAUSE	CORRECTIONS
Oven lamp and fan motor turn on	<ol style="list-style-type: none"> <li>Misadjustment or loose wiring of secondary latch switch</li> <li>Defective Secondary latch switch</li> </ol>	Adjust door and latch switches.
Oven can program but timer does not start.	<ol style="list-style-type: none"> <li>Open or loose wiring of secondary interlock switch</li> <li>Off-alignment of Secondary interlock</li> <li>Defective secondary interlock S/W</li> </ol>	Adjust door and interlock switches.
Microwave output is low;. Oven takes longer time to cook food.	<ol style="list-style-type: none"> <li>Decrease in power source voltage.</li> <li>Open or loose wiring of magnetron filament circuit. (Intermittent oscillation))</li> <li>Aging of magnetron</li> </ol>	Consult electrician.
Fan motor turns on when plugged in	Loose wiring of door sensing switch	Check wire of door sensing switch.
Oven does not operate and return to the plugged in mode.	Defective Ass'y PCB	Replace PCB main.
Loud buzzing noise can be heard.	<ol style="list-style-type: none"> <li>Loose fan and fan motor</li> <li>Loose screws on H.V.Transformer</li> <li>Shorted H.V.Diode</li> </ol>	Tighten screws of fan motor. Tighten screws of H.V.Transformer. Replace H.V.Diode.
Turntable motor does not rotate.	<ol style="list-style-type: none"> <li>Open or loose wiring of turntable motor.</li> <li>Defective turntable motor.</li> </ol>	Replace turntable motor.
Oven stops operation during cooking	<ol style="list-style-type: none"> <li>Open or loose wiring of Secondary interlock switch</li> <li>Operation of thermal cutout(Magnetron)</li> </ol>	Adjust door and latch switches.
Sparks	<ol style="list-style-type: none"> <li>Metallic ware or cooking dishes touching on the oven wall.</li> <li>Ceramic ware trimmed with gold or silver powder also causes sparks.</li> </ol>	Inform the customer. Do not use any type of cookware with metallic trimming.
Uneven cooking	Uneven intensity of microwave due to its characteristics.	Wrap thinner parts of the food with aluminum foil. Use plastic wrap or cover with a lid. Stir once or twice while cooking foods such as soup, cocoa, or milk.
Noise from the turntable motor when it starts to operate.	Noise may result from the motor.	Replace turntable motor.



# 7. Exploded Views and Parts List

## 7-1 Exploded Views



## 7-2 Main Parts List

No.	Code No.	Description	Specification	Q'ty	Remark
MB01	DE96-00115D	ASSY BODY LATCH	MW1255WA,NC2000(BUTTON)	1	
MB02	3405-001033	SWITCH-MICRO	125/250VAC,16A,200GF,SPST-N	1	MONITOR
MB03	3405-001034	SWITCH-MICRO	125/250VAC,16A,200GF,SPST-N	1	DOOR-S/W
MB04	DE66-00088A	LEVER-SWITCH	NC2000(0.6/0.8/1.2),PP,-,-,	1	
MB05	DE72-00138A	BODY-LATCH	NC2000(0.6/0.8/1.2),PP,-,-,-,	1	
MB08	3405-001055	SWITCH-MICRO	125/250VAC,16A,200GF,SPST-N	1	PRI-S/W
MM01	DE70-00185G	PANEL-OUTER	ME1260SA/XAA,PET-PCM,T0.6,-,	1	
MM03	DE39-00278A	WIRE HARNESS-A	MW1255WA,-,-,-,-,-,-,-,-,	1	
MM06	DE96-00100A	ASSY-MOTOR FAN	SMF-NC2UA1,120V60HZ,2800R	1	
MM07	DE39-20146E	ASSY POWER CORD	MSP-36,-,-,-,-,-,SPT-2 3	1	
MM08	OM75P(31)ESS	ASSY-MAGNETRON	OM75P(31)ESS	1	
MM09	DE71-00164A	COVER-AIR	MW1250WA(NC-12),PP(TB53),T1.7,	1	
MM10	4713-001012	LAMP-INCANDESCENT	130V,-,40W,ORG,B/L,-,2	1	
MM102	DE63-00021A	CUSHION-HVT	MW6693G,EPDM,EPDM,T10.5,W30,	1	
MM13	DE66-90113A	LEVER-DOOR	PP(TB53-GH41),T2.5,-,-,12g,NT	1	
MM14	DE26-00061B	TRANS-H.V	SHV-U11KA_R,120V,60HZ,2300V/3.	1	
MM16	DE71-00015A	COVER-CEILING	CE2933,-,T0.3,W114.2,L121.	1	
MM17	DE47-20033A	THERMOSTAT	PW-2N,80/70,125V15A/250V7.5A,	1	CAVITY
MM17	DE47-20173A	THERMOSTAT	PW-2N(90/60)30,187Y,250V7.5A,	1	MGT
MM18	DE74-20015G	TRAY-COOKING	-,T6,-,-	1	
MM19	DE97-00222A	ASSY-GUIDE ROLLER	NC-1.2CUFT,SPS(C832) B	1	
MM20	DE67-00106A	COUPLER	PPS,-,8g,BRN,MW1250WA,NC-1.2	1	
MM22	DE31-10154A	MOTOR SYNCHRONOUS	M2HJ49ZR02,ST-16,50/60	1	
MM27	DE61-40066A	FOOT	-,PP,-,BLK,-,-,-	2	
MM28	DE80-00024D	BASE-PLATE	ME1260SB/XAA,SGCC1,T0.6,ENAME	1	
MM29	2501-001015	C-OIL	1.0uF,2100V,BK,35X54X80,20mm	1	
MM30	DE61-50106A	BRACKET-HVC	-,SECC,T0.8,W31,L125.8,-,-	1	
MM31	DE59-40001A	DIODE-H.V	HVR-1X-32B-12,-,-,-,-,-	1	
MM34	DE47-40025A	HOLDER-FUSE	KFSN-L-16,15A,NYLON#66,5G,-,	1	
MM52	DE63-90035G	CUSHION-RUBBER	-,DFA20,T2,W190,L100,-,-	1	
MM55	3601-001198	FUSE-CARTRIDGE	250V,20A,SLOW-BLOW,CERAMIC,6.35x31.3mm	1	

## 7-3 Control and Door Parts List

No.	Code No.	Description	Specification	Q'ty	Remark
MC01	-	ASSY CONTROL-BOX	-,ME1260SB(NC-12),SILVE	1	S.N.A
MC02	DE34-00125D	SWITCH MEMBRANE	ME1260SB/XAA,S2 LED-BAR	1	
MC03	DE72-70209H	CONTROL-PANEL	MW1060SA,ABS(VH0812),-,-,-	1	
MC04	DE61-70076A	SPRING-BUTTON	-,HSWR,PI0.6,PI0.6,-,-,-,-	1	
MC05	DE66-20281G	BUTTON-PUSH	MB7696S,ABS,-,-, SILVER,DOME	1	
MC06	DE67-40175A	WINDOW-DISPLAY	5G,SAN,-,-,-,-,SMG,-	1	
MC07	RA-N2LED1-32	ASSY PCB PARTS	ME1030SB,120V60HZ	1	
MD01	-	ASSY DOOR	ME1260SA/XAA,SILVER,S2-DESIGN	1	S.N.A
MD02	DE64-00185C	DOOR-A	ME1260SA/XAA,ABS,-,-,-,-,SILVER,1	1	
MD03	DE63-00042A	SCREEN-DOOR	CLEAR,MW1250WA(NC-12),PET,T0	1	
MD04	DE94-00428A	ASSY DOOR-E(COATING)	MW1250WA(NC-12),BLK	1	
MD05	DE64-00248A	FILM-DOOR	-,PE/PC,T0.15,178.5*306,-,-,-,	1	
MD06	DE64-00184A	DOOR-C	MW1250WA,PP,-,BLK,-,1.2CUFT,NC200	1	
MD07	DE61-00193A	SPRING-KEY	MW1255,HSWR,D5.5,-,-,L19,-,T0	1	
MD10	DE64-00210A	KEY-DOOR	NC2000(0.6/0.8/1.2),PP,-,BLK,-,	1	
MD11	DE94-00427A	ASSY DOOR-SUB	MW1250WA(NC-12),BLK,DOOR-E	1	

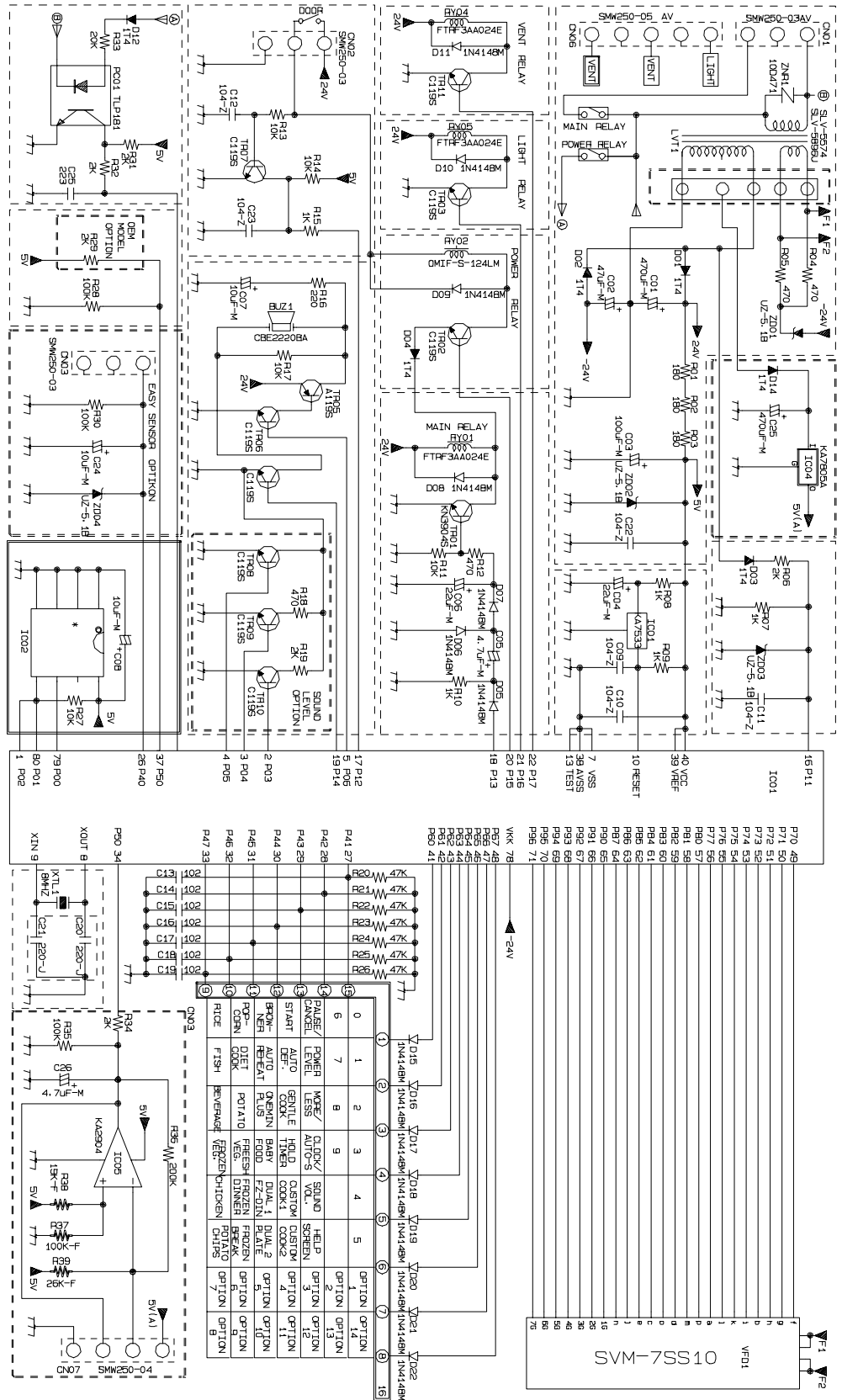
S.N.A : SERVICE NOT AVAILABLE

## 7-4 Standard Parts List

Code No.	Description	Specification	Q'ty	Remark
DE60-10063A	SCREW-TAP TH	-,FEFN,-,TH,M4,-,L12,-,-	1	O/PANEL
DE60-10070A	SCREW-TAP TH	-,FEFZY,2-SLOT,TH,M4,-,L12,-,-	4	B-PLTE
DE60-10070A	SCREW-TAP TH	-,FEFZY,2-SLOT,TH,M4,-,L12,-,-	1	CN-BOX
DE60-10070A	SCREW-TAP TH	-,FEFZY,2-SLOT,TH,M4,-,L12,-,-	1	CV/AIR
DE60-10070A	SCREW-TAP TH	-,FEFZY,2-SLOT,TH,M4,-,L12,-,-	1	CVT-TCO
DE60-10070A	SCREW-TAP TH	-,FEFZY,2-SLOT,TH,M4,-,L12,-,-	2	MO-FAN
DE60-10070A	SCREW-TAP TH	-,FEFZY,2-SLOT,TH,M4,-,L12,-,-	1	TCO
DE60-10080B	SCREW-WASHER	-,2S,SWRCH18A,ZP2,PH,PI5,-,L10,-,-	4	MGT
DE60-10080B	SCREW-WASHER	-,2S,SWRCH18A,ZP2,PH,PI5,-,L10,-,-	4	TNS-HV
DE60-10082H	SCREW-A	-,,-,2S-4X12,TOOTHED,-,-,-,-	2	BD-LT
DE60-10082H	SCREW-A	-,,-,2S-4X12,TOOTHED,-,-,-,-	1	P-C-EA
DE60-10082H	SCREW-A	-,,-,2S-4X12,TOOTHED,-,-,-,-	2	PN/OUT
DE60-10082H	SCREW-A	-,,-,2S-4X12,TOOTHED,-,-,-,-	1	S-M-EA
DE60-10098A	SCREW-ASSY TAP TITE	-,GLD,SWRCH18A,ZPC2,PH,TC,-,M4X8,WT,-	1	M/DRIV
DE60-10195A	SCREW-STAR POLE	-,SWCH18A,4,12,TH,*,-,2,ZNC,-	2	O/PANEL
DE60-10088A	SCREW-TAP PH	-,FEFZY,PLAIN,PH,M3,-,L8,-,-	2	
DE60-10098A	SCREW-ASSY TAP TITE	-,GLD,SWRCH18A,ZPC2,PH,TC,-,M4X8,WT,-	1	HVC

# 8. P.C.B Diagrams

## 8-1 P.C.B Diagrams



S22USA  
SCHEMATIC

## 8-2 P.C.B Parts List

Code No.	Description	Specification	Q'ty	Remark
3501-001155	RELAY-MINIATURE	24VDC,200MW,3000MA,1FORMA,10MS,10MS	2	RY01,04
3501-001188	RELAY-POWER	24V DC,0.53W,-,1FormA,9.3ms,10mS	1	RY02
3708-001511	CONNECTOR-FPC/FC/PIC	16P,1.25mm,STRAIGHT,SN	1	CN03
DE07-00004A	V.F.DISPLAY	SVM-07SS10L,3-RD,74.8*29.0*8.0MM,-,1/6.25,-	1	VFD1
DE09-00071A	IC MICOM	TMP87PM74F,OTP-32K,QFP 8BIT-80PIN,-,-,-,-	1	IC01
DE26-00037B	TRANS-L.V	SLV-5896U,120V,60Hz,AC18V/2.7V,-,35*10,PIN,-	1	LVT1
DE30-20016A	BUZZER	CBE2220BA,STICK,-,-,-,-,-,-,-	1	BUZ1
DE61-00005A	HOLDER-DIGITRON	NYLON,-,82X33X24,8G,BLK,3RD-W,-	1	
DE92-00815A	ASSY PCB AUTO	120V60HZ,VFD,RA-S22USA-06,MW1060SA	1	
0401-001083	DIODE-SWITCHING	MM4148,100V,150MA,LL-34,TP	14	D05~10,14~21
0402-001103	DIODE-RECTIFIER	1T4,400V,1A,TS-1,TP	4	D01~04
0403-001288	DIODE-ZENER	ZMM55C5V1,4.8-5.4V,500MW,LL-34,TP	3	ZD01,02,03
0501-000465	TR-SMALL SIGNAL	MMBT3904,NPN,350mW,SOT-23,TP,100-300	1	TR01
0504-000159	TR-DIGITAL	KSR2105,PNP,200MW,4.7K/10K,SOT-23,TP	1	TR05
0504-001080	TR-DIGITAL	KRC246S,NPN,200mW,2.2K/10K,SOT-23,TP	8	TR02~04,06~10
1202-000141	IC-VOLTAGE COMP.	7033,SOT-89,3P,-,SINGLE,0V,-,P	1	IC02
1404-001194	THERMISTOR-PTC	39ohm,20%,220/240V,270Vac,1.2A,-,TP	1	PTC1
1405-000001	VARISTOR	470V,1250A,14x7.5mm,TP	1	ZNR1
2001-000118	R-CARBON(S)	180OHM,5%,1/2W,AA,TP,2.4X6.4MM	3	R01,02,03
2007-000033	R-CHIP	0OHM,5%,1/8W,DA,TP,3216	2	J10,11
2007-000282	R-CHIP	100KOHM,5%,1/10W,DA,TP,2012	1	R28
2007-000300	R-CHIP	10KOHM,5%,1/10W,DA,TP,2012	4	R11,13,14,17
2007-000468	R-CHIP	1KOHM,5%,1/10W,DA,TP,2012	5	R06,08~10,15
2007-000572	R-CHIP	220OHM,5%,1/10W,DA,TP,2012	1	R16
2007-000671	R-CHIP	2KOHM,5%,1/10W,DA,TP,2012	2	R07,19
2007-000931	R-CHIP	470OHM,5%,1/10W,DA,TP,2012	4	R04,05,12,18
2007-000941	R-CHIP	47KOHM,5%,1/10W,DA,TP,2012	7	R20~26
2203-000444	C-CERAMIC,CHIP	1nF,10%,50V,X7R,TP,2012,-	7	C13~19
2203-001608	C-CERAMIC,CHIP	22nF,+80-20%,50V,Y5V,TP,2012	6	C09~12,22,23
2401-000244	C-AL	100uF,20%,10V,GP,TP,6.3x7,5	1	C03
2401-000466	C-AL	10uF,20%,35V,GP,TP,5x7,5	1	C07
2401-000911	C-AL	22uF,20%,16V,GP,TP,5x7,5	2	C04,06
2401-001415	C-AL	470uF,20%,35V,GP,TP,10x20,5	1	C01
2401-001573	C-AL	47uF,20%,50V,GP,TP,6.3x11,2.5	1	C02
2401-002075	C-AL	4.7uF,20%,50V,GP,TP,5x11,5	1	C05
2802-000188	RESONATOR-CERAMIC	8MHz,0.5%,TP,10.0x5.0x8.0mm	1	XTL1
3711-000881	CONNECTOR-HEADER	BOX,3P,1R,2.5mm,STRAIGHT,SN	1	CN02
3711-004143	CONNECTOR-HEADER	BOX,2P/3P,1R,5mm/2.5mm,STRAIGH	1	CN01
DE39-60001A	WIRE-SO COPPER	PI0.6,SN,T,52MM,TAPING_WIRE,-,	8	J01~07,15
DE41-00141A	P.C.B-MAIN	RA-S22USA-**,FR-1,1,-,-,123*88*1.6,-,4ARRAY,-	1	
DE60-60012A	PIN-EYELET	ID2.1,OD2.5,L3.0,SN,BSP,T0.25,	2	

# 9. Schematic Diagrams

## 9-1 Schematic Diagrams

NOTE: CIRCUIT SHOWN WITH DOOR IS OPENED POSITION.  
 NOTE: FOR SERVICE REPLACEMENT USE 16 GA 105° C  
 THERMOPLASTIC COVERED WIRE EXCEPT  
 FOR HIGH VOLTAGE LEADS OR AS NOTED ON SPECIAL LEADS.

**WARNING**  
 POWER MUST BE DISCONNECTED  
 BEFORE SERVICING THIS APPLIANCE

