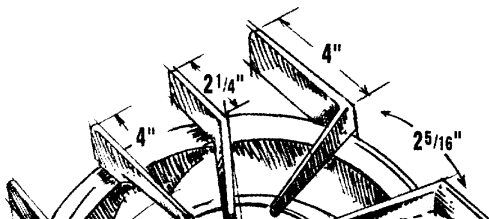




**VIKING PREFERRED SERVICE**

# SERVICE BULLETINS

FROM #98-01



**VIKING**<sup>®</sup>  
Preferred Service

**SerBul A General**  
**SerBul B Ranges**  
**SerBul C Rangetops/Cooktops**  
**SerBul D Wall Ovens**  
**SerBul E Micro Chamber/Warming Drawer**  
**SerBul F Disposer/Compactor**  
**SerBul G Dishwasher**  
**SerBul H Ventilation**  
**SerBul I Refrigeration**  
**SerBul J Outdoor Grills**

### **SerBul A-General Index**

Service Bulletin #98-01 (Damage to Cosmetic, Trim and Painted Surface)

Service Bulletin #99-14P (New Products)

Service Bulletin #99-16 (Parts Dept. "E" Mail Address)

Service Bulletin #2000 -08 (Service Parts Manual)

Service Bulletin #2001-07 (New Phone #s for Technical Assistance / Product / Parts)

## **Service Bulletin**

No: 98-01

Date: 1/02/98

### **DAMAGE TO COSMETIC , TRIM AND PAINTED SURFACES**

Extreme care is taken to insure that Viking products are packaged in such a way as to prevent damage. Stainless steel components are covered with a protective coating, corner posts have been added to minimize shifting within the carton and finally, most products are completely wrapped in plastic.

Freight and delivery damages are the total responsibility of the freight company, distributor, or the selling dealer. Products or accessories must be inspected when they are unboxed and any damages reported immediately to the responsible firm. Viking Range Corporation will not be responsible for any damages of cosmetic, trim or painted surfaces.

Authorization from Viking Preferred Service may be obtained for legitimate factory defects. Every effort should be made to report any defects within the first 30 days after delivery of a Viking product.

## **Parts Bulletin**

No: 9914P

Date: 12/06/99

### **NEW PRODUCTS**

#### **Model Number**

VGSC306	Gas Self Clean
VEDO273\VGDO271	27" W. Wall Oven
VESO176\VEDO276	27" W. Thermal Electric Wall Oven
VEWD172	27" Warming Drawer
VEV/VIV/VWH	Ventilation Products
VUAR140	24" W. Undercounter Refrigerator
VCBB360	36" Bottom Mount Refrigerator

#### **Suggested Stock**

Attached is a list of suggested stocking inventory for new Viking products. Please issue a purchase order for the suggested stocking inventory for each of the new products.

## **Service Bulletin**

No: 99-16

Date: 01/25/00

### **Parts Department**

Viking Range Corporation now has a new email address for parts:

[Parts@vikingrange.com](mailto:Parts@vikingrange.com)

NO: 2000-08

Date: November 6, 2000

RE: Service Parts Manual

The following changes have been made to the Viking Service Part Manual and need to be updated in your parts book:

**Existing Tab/Book: VCBB 360 REFRIGERATOR/FREEZER  
REPLACE WITH TAB/BOOK:  
VCBB360/362REFRIGERATOR/FREEZER (F90036)**

**Existing Book: VCSB 480 REFRIGERATOR/FREEZER  
REPLACE WITH VCSB 480 REFRIGERATOR/FREEZER(F90032)**

**Newly Created Book: VIPR101/161/181, VIDV500, VEDV900, VEDV1200  
INSERT IN SECTION OF PARTS BOOK LABELED  
VENTILATION PRODUCTS. (F90035)**

If you have any questions contact:

Viking Range Corporation  
Service Department  
Stan Dorroh – Technical Writer  
P.O. Drawer 956  
Greenwood, MS 38930

E-mail: [sdorroh@vikingrange.com](mailto:sdorroh@vikingrange.com)

## *Viking Preferred Service*

Viking Range Corporation • 5601 Viking Road-CR525 • Greenwood, Mississippi (MS) • 38930 • (662) 451-4133 • Fax: (662) 451-4386

### \*\*\*\*\*IMPORTANT NOTICE\*\*\*\*\*

#### **Service Bulletin**

**No:** 2001-07  
**Date:** 04/17/2001  
**TO:** Service Companies, Parts / Product Distributors  
**RE:** New Phone Numbers for Technical Assistance and Product / Parts Support

Viking Preferred Service now has two new phone numbers for our authorized service companies as well as for our product and parts distributors.

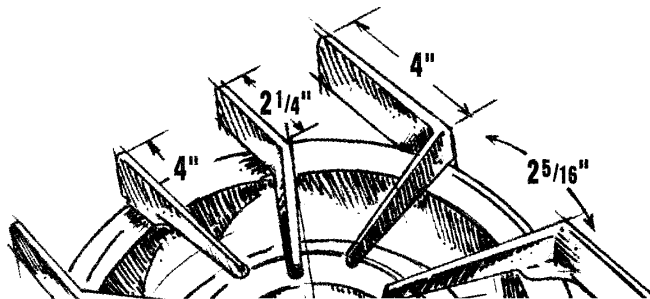
**Technical Support**  
**(800)-914-4799**

***This number is only for service technicians and technical assistance only.***

**Parts Support**  
**(800)-314-3502**

This new number allows our parts and product distributors to contact Viking directly. It needs to be stressed that neither of these numbers are published and should be reserved for the authorized persons listed above. We are pleased to announce the addition of a new toll free service for customers to contact Viking Preferred Service.

**Customer Support**  
**(866) 451-4133**



**VIKING**  
*Professional Performance for the Home*

## **SerBul B Ranges**

Service Bulletin **#98-02** (VGIS Ranges Equipped with Auto-Re-Ignition)

Service Bulletin **#99-03** (Griddle Burner Flashback)

Service Bulletin **#99-15P** (Parts Return-Thermostats VGSC306)

Service Bulletin **#2000-6** (24" vented Griddle Assembly)

Service Bulletin **#2000-9** (VGRC-VGRT-VDSC Griddle Tubing Relocation)

Service Bulletin **#2001-01E** (Replace Spark Module)

Service Bulletin **#2001-08** (VGRC / VGRT Lifting Flames 24" Griddles)

Service Bulletin **#2001-10** (VGSC306/366 Check Polarity – DSI Board)

Service Bulletin **#2001-11** (Obsolete T-stat/Broil Knob-Replacement Kit)

Service Bulletin **#2001-21A** (New Top Spark Ignitor)

Service Bulletin **#2001-33** (New Grill Grates)

Service Bulletin **#2001-41** (Replacement Convection Fan Motor)

Service Bulletin **#2001-44** (Replacement Door Hinge-VDSC36"-VGSC306/366)

Service Bulletin **#2002-04** (Obsolete)

Service Bulletin **#2002-04a** (Obsolete)

Service Bulletin **#2002-04b** (Obsolete)

Service Bulletin **#2002-04c** (Obsolete)

Service Bulletin **#2002-06** (New Burner Kit/welded Ignitor Bracket-8" Burner)

Service Bulletin **#2002-07** (New Burner Kit/welded Ignitor Bracket-10" Burner)

Service Bulletin **#2002-09** (Return Defective Spark Module)

Service Bulletin **#2002-10** (Return Defective Thermostats)

Service Bulletin **#2002-29** (New Brass Valve and Knobs)

Service Bulletin **#2003-06S** (Self-Clean High Limit Switch)

Service Bulletin **#2003-01CE** (Ghost Arching)

Service Bulletin **#2003-F90715** (New Spark Module Substitution)



# Service Bulletin

No: 98-02

Date: 1/02/98

## **VGIS RANGES EQUIPPED WITH AUTOMATIC RE-IGNITION**

VGIS series ranges are now being produced with automatic electric spark re-ignition. This new improvement will allow surface burners to light in any position on the knob and re-light if extinguished, even on the lowest setting.

## **MODEL NUMBERS**

MODEL VGIS300, VGIS360 AND VGIS480 beginning with serial number R11079714480.

## **NEW PARTS**

The following parts were changed in production for re-ignition on the VGIS model:

OLD PART NUMBER	NEW PART NUMBER	DESCRIPTION
PA010003	PA010024	Top Burner Valve
PA020011	PA020015	Spark Ignition Switch
PA020016	PA020013	Spark Module
PA010037	PA010034	Knob, Top Burner-Black
PA010038	PA010035	Knob, Top Burner-White
PA010041	PA010039	Knob, Grill Valve- Black
PA010042	PA010040	Knob, Grill Valve-White

Please change the attached pages in parts book.

PART BOOK	PRODUCT	PAGE NUMBER
F1337	VGSS\VGSC\VGIS 30" W.GAS	5 & 7
F1481	VGIS\VGSS 36"\48" W.GAS	5,9 & 11

## Service Bulletin

No: 99-03

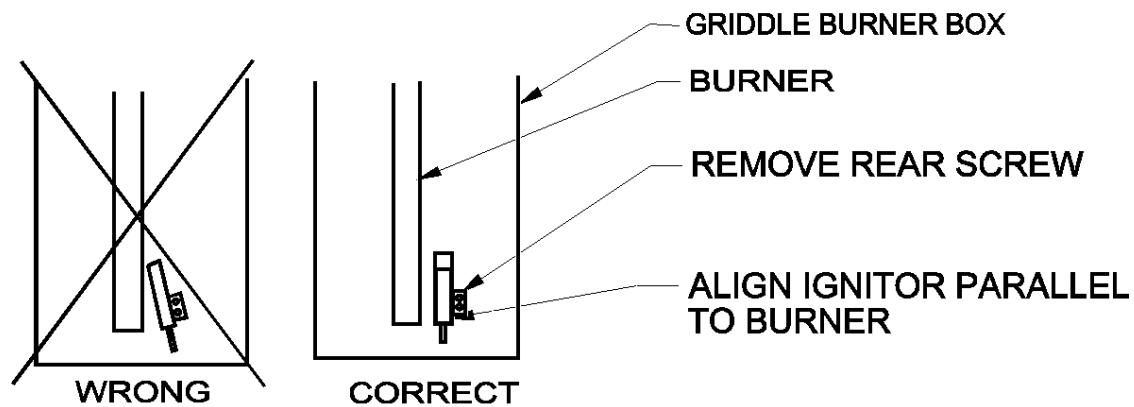
Date: 4/12/99

### GRIDDLE BURNER FLASHBACK

We have received complaints from the field about flashback in griddle burners adjusted for LP gas. The flame ignites inside the burner creating a blowing or puffing sound. Tests have shown the igniter is installed at an angle when replaced after removed for LP adjustments.

### CORRECTION

Align the igniter parallel with the griddle burner to eliminate the flashback and blowing sound.



- A. Remove rear screw from igniter mounting bracket.
- B. Align igniter parallel to griddle burner.
- C. Tighten front screw to secure mounting bracket.

## **Parts Bulletin**

No: 9915P

Date: 01/05/00

### **Model Number**

VGSC306 – Viking Gas Self Clean Range

### **Return Part**

Viking Preferred Service is requesting all PB010186 EK39 Thermostats (self-clean) to be returned to Viking Range Corporation for inspection to receive credit.

Please return to the following address:

Viking Preferred Service  
Attn: Service  
5601 County Road #525  
Greenwood, MS 38930

**Thermostat must be returned to receive credit until further notice.**

## **Service Bulletin**

No: 2000-6

Date: 04/13/00

24" Vented Griddle Assembly

**Primary complaint:** Flames lifting on top burners when griddle is in use.

### **Correction**

Replace griddle with Service part number G3005641 (24" vented griddle assembly).

**NOTE: CHECK BURNER FOR PROPER AIR MIXTURE AND ADJUST SHUTTERS AS NEEDED BEFORE REPLACING GRIDDLE.**

## **Service Bulletin**

No: 2000-9

Date: 12/21/00

### **Model Number**

VGRC, VGRT, VDSC

### **Action Taken**

Changes have been made to move the tubing for the 24" griddles away from the thermostats.

### **Instructions**

1. Shutoff Valve (PB030002) location rotates 90° clockwise on the manifold.
2. Gas Control Valve (PB010004) location rotates 180° clockwise on Thermal Valve Bracket (A1001198).

*Viking Preferred Service*

Viking Range Corporation • 5601 Viking Road-CR525 • Greenwood, Mississippi (MS) • 38930 • (662) 451-4133 • Fax: (662) 451-4386

**Service Bulletin**

No: 2001-01E

Date: 9/28/01

RE: Replacement spark module

Complaint: Continuous Ignition

Correction: Replace defective spark module with

Please communicate this to all personnel in your organization.

## Service Bulletin

No: 2001-08

Date: 3/8/01

**Models: VGRC / VGRT with 24" griddles**

### Complaint

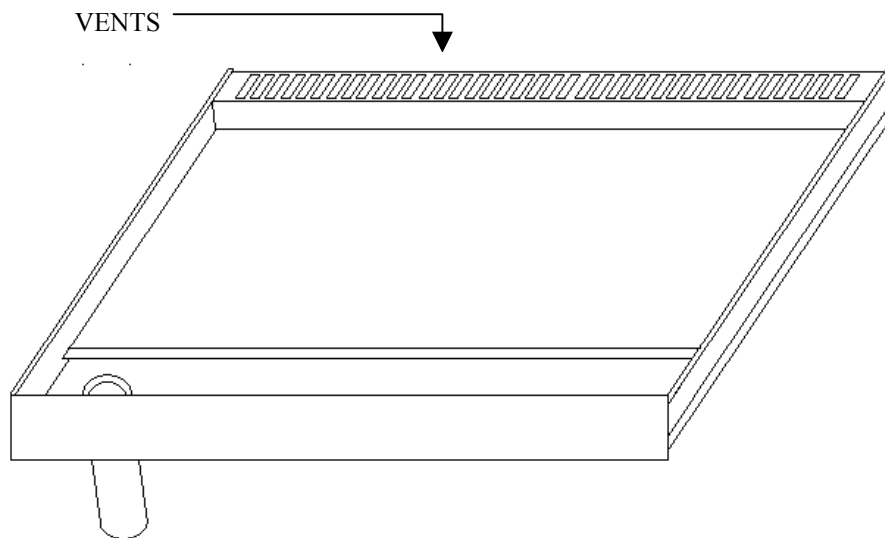
Flames lift on top burners when griddle is in use.

### Correction

Remove and replace griddle with new 24" vented griddle (part #G3005641 24" vented griddle).

G3005641 vented griddle is available from your local parts distributor.

This griddle is the same as the standard 24" griddle but has vents in the rear cover similar to the Island Trim.



24" VENTED GRIDDLE (G3005641)



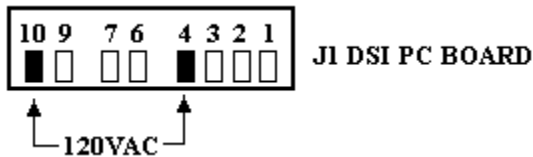
**SERVICE BULLETIN**  
**NO: 2001-10**  
**DATE: 2/19/01**

### VGSC 306/366 SELF-CLEAN

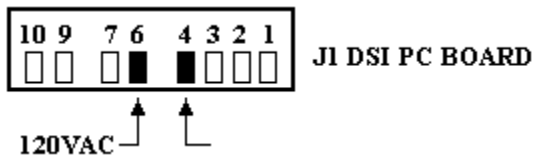
**(PRODUCT MANUFACTURED BETWEEN JANUARY 4, 2000 – MAY 12, 2000**

Symptoms: Range will not come on. Intermittent sparking. No sparking,

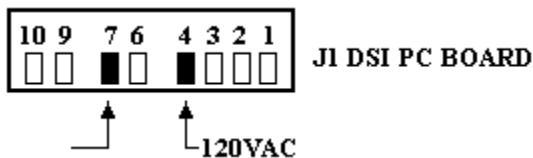
Check POLARITY.



Check for 120VAC between J1 – 4 and J1 – 10. There should always be 120VAC at this point.  
Check for power between pin 4 and 6 (J1 connector on DSI PC board).



If power is not present, check wiring and/or Thermostat.



If power is present, check power between 4 and 7. The module will lock out if a call for bake and broil exists simultaneously.

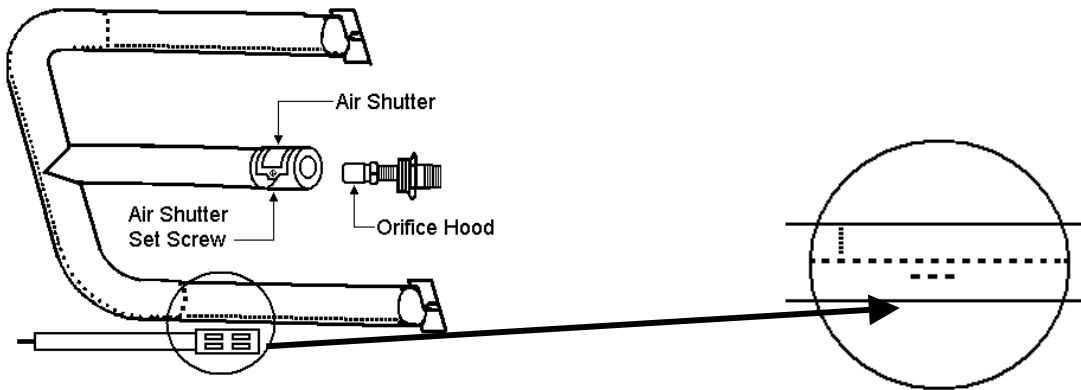
**CORRECTION:** When all voltages are correct to the board, check the part number for the board.  
Part #PA020025 is the part number used before May 12, 2000. Replace board with new board PA020035.

**SYMPTOM:** Range cycles off during bake and will not re-ignite.





**CORRECTION:** Check for the three ports added opposite the spark igniter. If the three ports are not there, replace the bake burner with part #PB050059.



## *Viking Preferred Service*

Viking Range Corporation • 5601 Viking Road-CR525 • Greenwood, Mississippi (MS) • 38930 • (662) 451-4133 • Fax: (662) 451-4386

### **Service Bulletin**

No: 2001-11

Date: 5/14/01

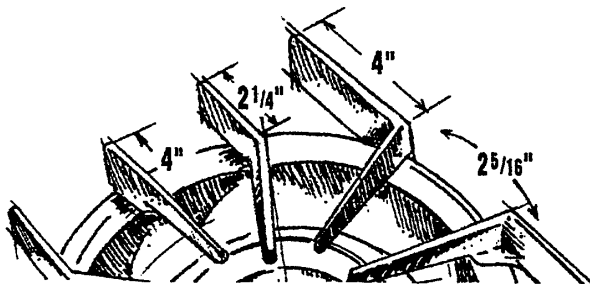
**TO: All Product and Part Distributors**

**RE: Obsolete Part Number**

The part number PB010006 (Thermostat Knob Bake / Broil) has been discontinued. We have now upgraded to an improved knob and bezel kit. You must now order kit number G5007213 (Knob and Bezel Kit). This kit contains the following items:

- 8 – PA010037 Top Burner Knobs
- 1 – PB010103 Griddle Knob
- 1 – PB010099 Thermostat Bake / Broil Knob
- 1 – PB010101 Thermostat Bake Knob
- 11 - PB010020 Knob Bezels

The cost for the new knob and bezel kit will be \$129.00 and will be available from your local parts distributor.



**VIKING**  
Professional Performance for the Home

## Viking Preferred Service

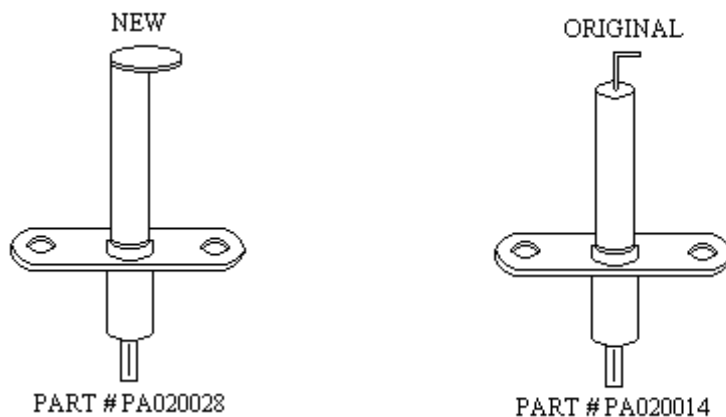
Viking Range Corporation • 5601 Viking Road-CR525 • Greenwood, Mississippi (MS) • 38930 • (662) 451-4133 • Fax: (662) 451-4386

Date: 9/19/01

No: 2001-21A

### RE: TOP BURNER SPARK IGNITER

Beginning with Model Number VGIC305-4BSS, Serial Number RO601011134 the top burner **SPARK IGNITER** has been replaced with spark igniter # PA020028, replacing spark igniter # PA020014. This change is now completed throughout the entire gas range/rangetop cooking product line.



The new igniter is shipped as a kit (G5007447) including six PA020028 igniters. The G5007447 igniter kit will automatically replace PA020014 and PA020028 when ordered from your parts distributor.

Replace all original PA020014 top burner igniters with new igniters included in kit when replacing a defective igniter.

**Please note that kit includes six igniters and unit may only require four.**

The new PA020028 igniter is not adjustable. With this change **WARRANTY SERVICE WILL NO LONGER PAY FOR TOP BURNER IGNITER ADJUSTMENTS** for products that use the new PA020028 spark igniter.

Please communicate this to all personnel within your organization.

*Viking Preferred Service*

Viking Range Corporation • 5601 Viking Road-CR525 • Greenwood, Mississippi (MS) • 38930 • (662) 451-4133 • Fax: (662) 451-4386

**Service Bulletin**

No: 2001-33

Date: 8/14/01

**Models:** All VGSC, VGIC, VGRC, VDSC, and VGRT model ranges and range tops equipped with the char-grill option.

**Re:** New grill grates

Viking now uses a heavier and thicker grill grate to reduce warping. Orders for old grill numbers will be automatically substituted. The sub is as follows:

New number **PA060058** (Black) Replaces PA060028 (Black)

New number **PA060059** (Gray) Replaces PA060029 (Gray)

Please communicate this to all personnel in your organization.

*Viking Preferred Service*

Viking Range Corporation • 5601 Viking Road-CR525 • Greenwood, Mississippi (MS) • 38930 • (662) 451-4133 • Fax: (662) 451-4386

**Service Bulletin**

No: 2001-41

Date: 10/11/01

**Re:** Replacement Convection Fan Motor

**Models:** All Gas, Electric, and Dual Fuel Ranges

**New Part Number**  
PE050057

**Replaces**  
Replaces

**Old Part Number**  
PE050005

This new convection fan motor will automatically replace the original equipment convection motor when ordered from your parts distributor.

Please communicate this to all personnel in your organization.

## *Viking Preferred Service*

Viking Range Corporation • 5601 Viking Road-CR525 • Greenwood, Mississippi (MS) • 38930 • (662) 451-4133 • Fax: (662) 451-4386

### **Service Bulletin**

**No:** 2001-44

**Date:** 12/04/01

**Re:** Replacement Door Hinge

**Models:** VDSC 36" W. Dual Fuel, VGSC 306/366 Gas Self-Clean Ranges

**Complaint:** Door hinge failure

**Correction:** Replace defective hinge with new PC020126 improved hinge.

<b>New Part Number</b>	<b>Description</b>	<b>Replaces</b>	<b>Old Part Number</b>	<b>Description</b>
PC020126	Hinge	Replaces	PC020013	Hinge

The new replacement hinge will automatically replace the original equipment hinge when ordered from your local parts distributor. Please order and replace both hinges when replacing a defective hinge. Products manufactured after 12/01/01 include the new (part number PC020126) hinge.

A service bulletin will follow announcing changes to VDSC305/485 Dual Fuel, VGSC306 Gas Self Clean range hinges. Replacement hinges for VDSC305/485, VGSC306 Gas Self Clean range hinges will be a running change in production with the part number remaining the same. The new hinge is scheduled for production change 03/01/02.

Please communicate this information to all applicable personnel within your organization.

# Viking Preferred Service

Viking Range Corporation - 5601 Viking Road - CR525 - Greenwood, Mississippi (MS) - 38930 - (662) 451-4133 - Fax (662) 451-4386

## Service Bulletin:

No: 2002-04

Date: 2/18/02

Re: Model: VGSC366 Self-Clean Gas Range

To Correct Burner Shut-down During Normal Operation.

- Correction:**
- (1). Replace the Orifice mounting bracket "C".
  - (2). Add another mounting hole in oven bottom for burner bracket "A".
  - (3) Add new Brackets "B" from kit.

Alignment of the igniter electrode in the blue tips of the inner cone at the three burner ports (located below the regular burner ports) will keep the gas valve open, preventing shutdown.

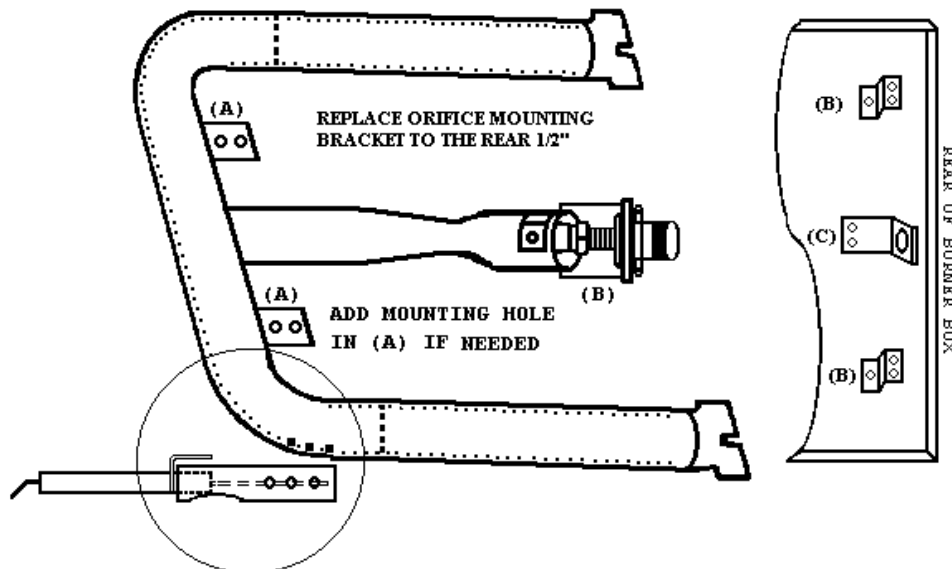
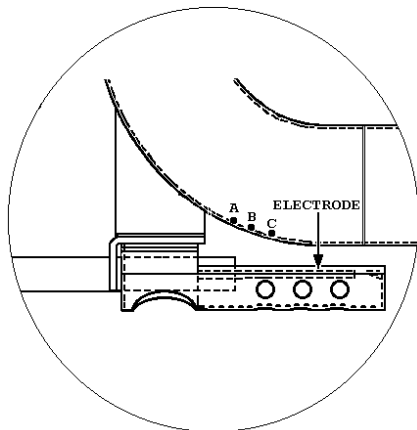


ILLUSTRATION #3



THE IGNITOR ELECTRODE MUST BE IN THE TIPS OF THE INNER BLUE CONE AT PORTS "A" "B" & "C"

ILLUSTRATION #1  
INCORRECT

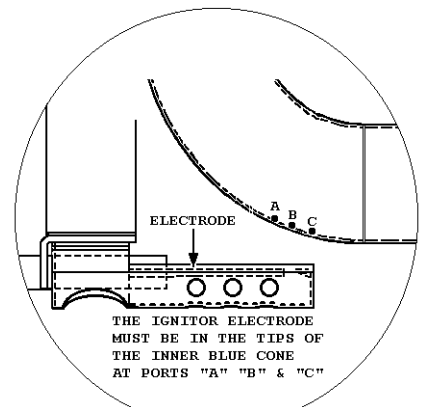


ILLUSTRATION #2  
CORRECT

# Viking Preferred Service

Viking Range Corporation – 5601 Viking road – CR525 – Greenwood, Mississippi (MS) – 38930 – (662)451-4133 – Fax: (602) 451-4386

## Service Bulletin:

No:

Date:

## Re: Model: VGSC306 Self-Clean Gas Range

To Correct Burner Shut-down During Normal Operation.

- Correction:** (1). Reverse the burner mounting “Z” brackets (B).  
(2) Add another mounting hole in bottom of oven to mount bracket (A).

Alignment of the igniter electrode in the blue tips of the inner cone at the three burner ports (located below the regular burner ports) will keep the gas valve open, preventing shutdown.

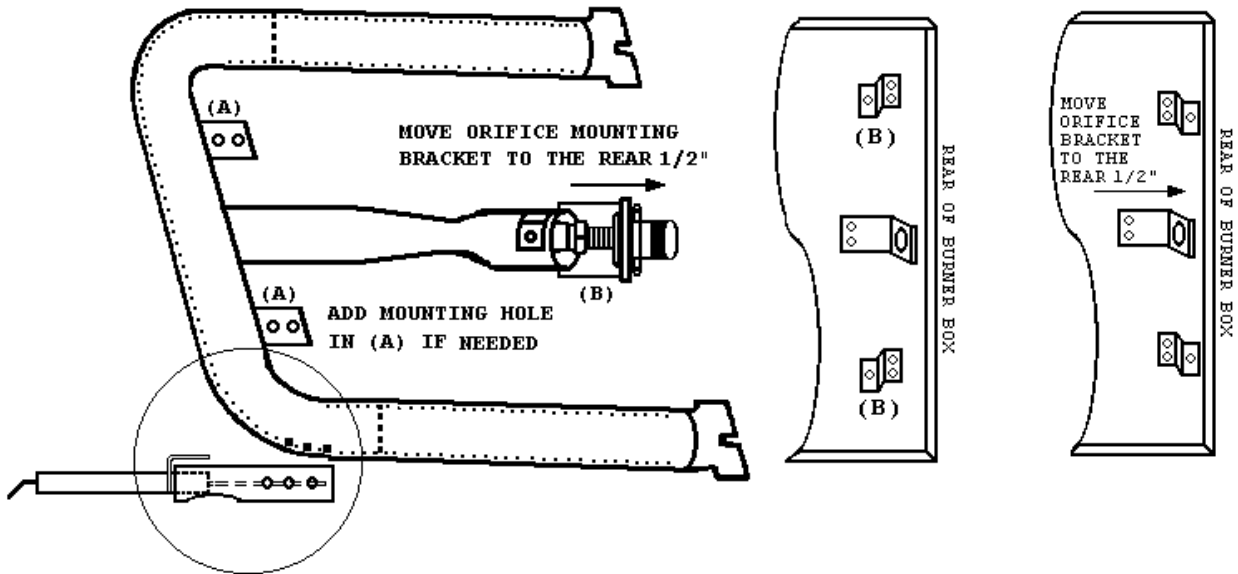


ILLUSTRATION #3

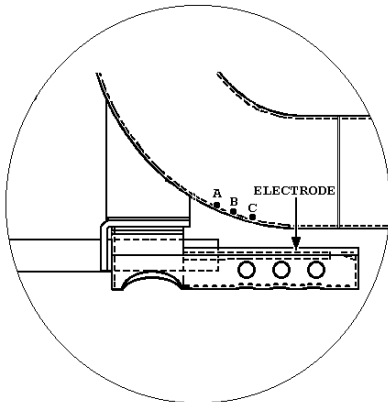


ILLUSTRATION #1  
INCORRECT

THE IGNITOR ELECTRODE MUST BE IN THE TIPS OF THE INNER BLUE CONE AT PORTS "A" "B" & "C"

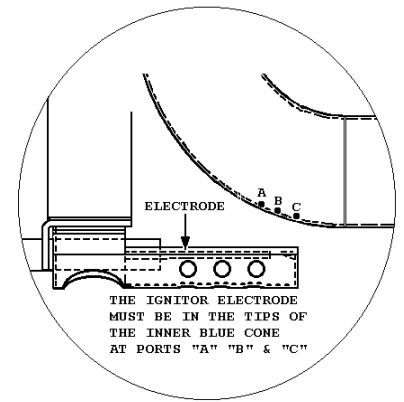


ILLUSTRATION #2  
CORRECT



# Viking Preferred Service

Viking Range Corporation - 5601 Viking Road - CR525 - Greenwood, Mississippi (MS) - 38930 - (662) 451-4133 - Fax (662) 451-4386

## Service Bulletin

No: 2002-04 (Revised)

Date: 2/18/02

Re: Model: VGSC366 Self-Clean Gas Range

To Correct Burner Shut-down during Normal Operation.

- Correction:**
- (1) Inspect the position of the igniter electrode to the burner ports (A, B, & C). Illustration #1 is incorrect. Illustration #2 is the correct position.
  - (2) Reverse the burner mounting "Z" bracket (See Illustration #3 Below).
  - (3) Move the Orifice mounting bracket toward the rear 1/2" and remount.
  - (4) Add another mounting hole in bracket (A) if needed.

These corrections will move the burner onto the orifice hood for better gas/air adjustment. Alignment of the igniter electrode in the blue tips of the inner cone at the three burner ports (located below the regular burner ports) will keep the gas valve open, preventing shutdown.

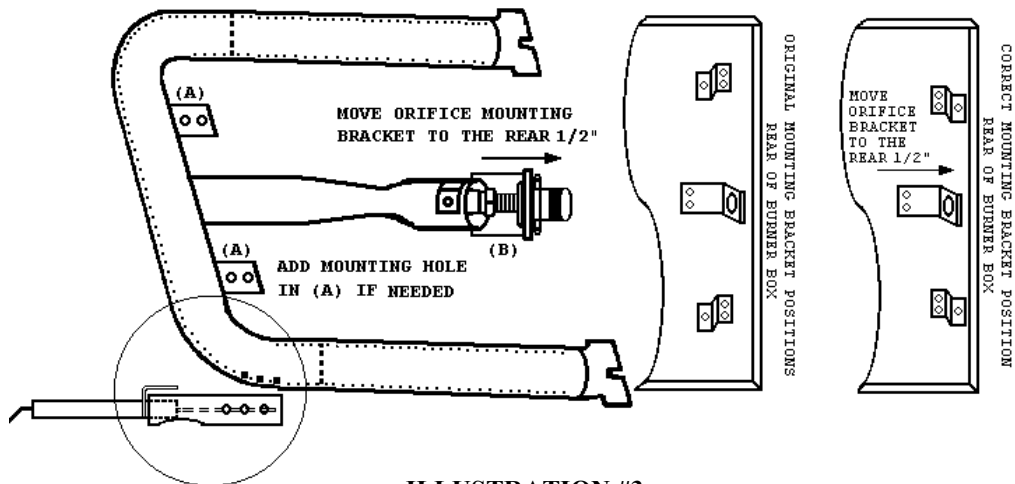


ILLUSTRATION #3

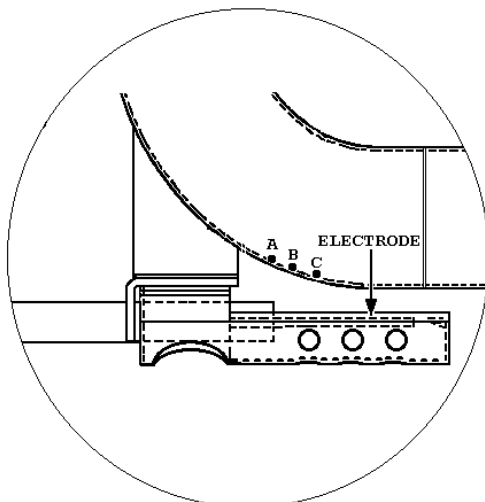


ILLUSTRATION #1  
INCORRECT

**THE IGNITER ELECTRODE MUST BE IN THE TIPS OF THE INNER BLUE CONE AT PORTS : "A", "B" & "C"**

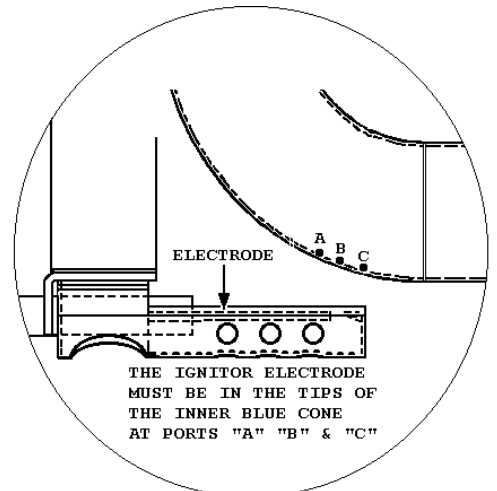


ILLUSTRATION #2  
CORRECT

**Service Bulletin**

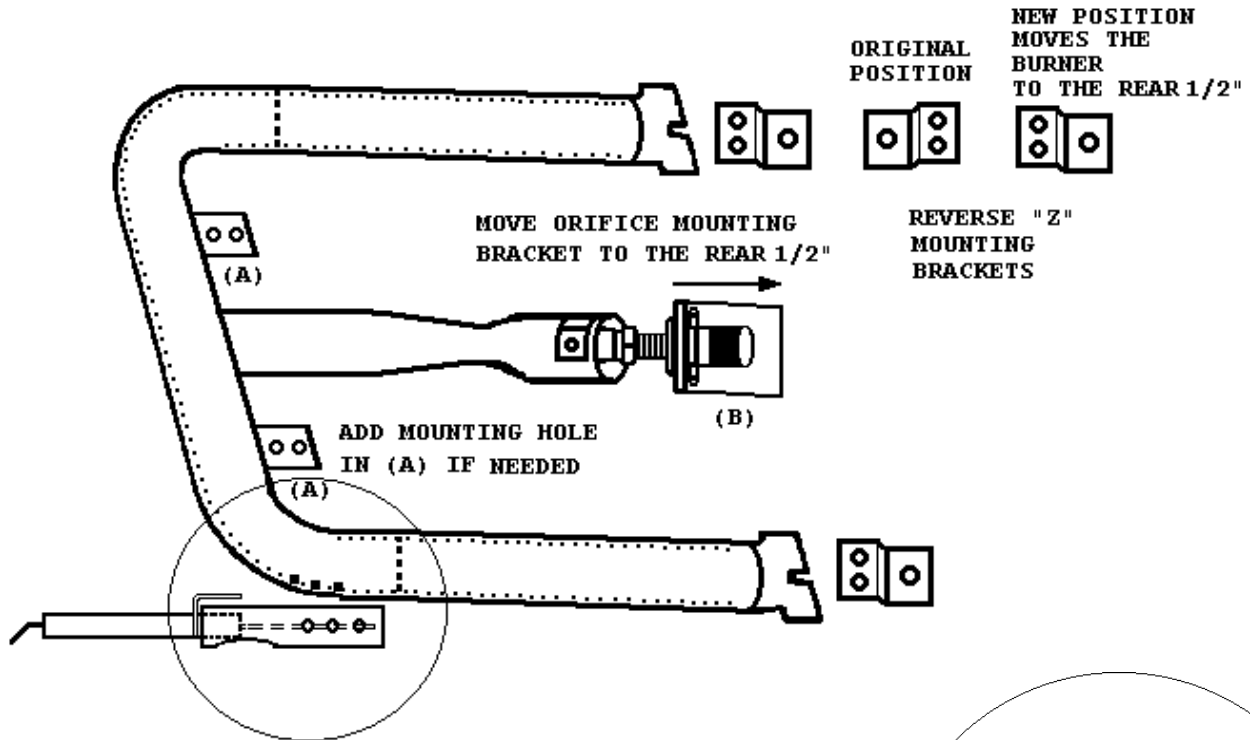
**No:**

**Date:**

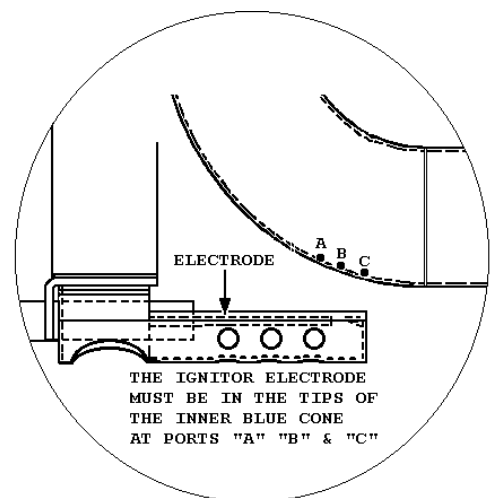
**Re:** To Correct Burner Shut-down during Normal Operation.

- Correction:**
- (1) Reverse the burner mounting "Z" bracket (See Illustration below).
  - (2) Move the Orifice mounting bracket toward the rear 1/2" and remount.
  - (3) Add another mounting hole in bracket (A) if needed.

These corrections will move the burner onto the orifice hood for better gas/air adjustment. Alignment of the ignitor electrode in the blue tips of the inner cone at the three burner ports (located below the regular burner ports) will keep the gas valve open, preventing shutdown.



**THE IGNITOR ELECTRODE MUST BE IN THE TIPS OF THE INNER BLUE CONE AT PORTS "A", "B" & "C".**



## Service Bulletin

No: 2002-06

Date: 03/12/02

Re: Models – VGSC306 30" W. Self-Clean Gas Range

**Complaint:** Burner shutdown during normal bake operation and self-clean operation.

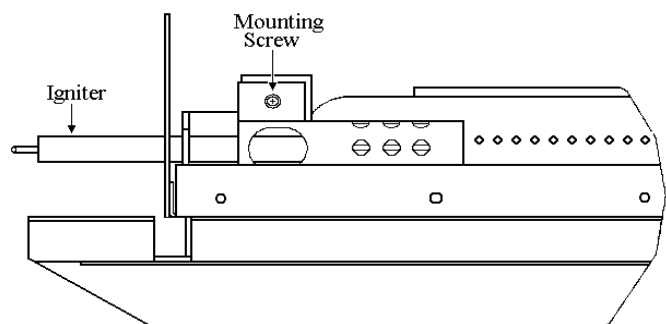
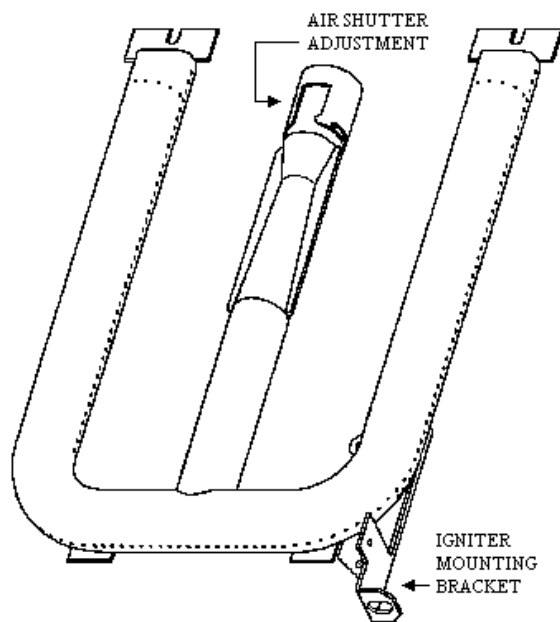
**Correction:** Install new Burner with welded igniter bracket:

### VGSC306 (30") Part # G5008216 8" Bake Burner Kit

1. Remove oven racks and rack supports.
2. Remove oven bottom pan assembly.
3. Remove burner cover.
4. Remove and save igniter for later installation.
5. Install new burner (with welded igniter bracket).
6. Re-install the saved igniter.
7. Replace burner cover and oven bottom pan assembly to check and adjust the air/gas mixture.

Gas Self-Clean ranges manufactured after March 1, 2002 include the new welded burner assembly.

Please communicate this to all applicable personnel within your organization.



## Service Bulletin



No: 2002-07

Date: 03/15/02

Re: VGSC366 36" W. Gas Self-Clean Range

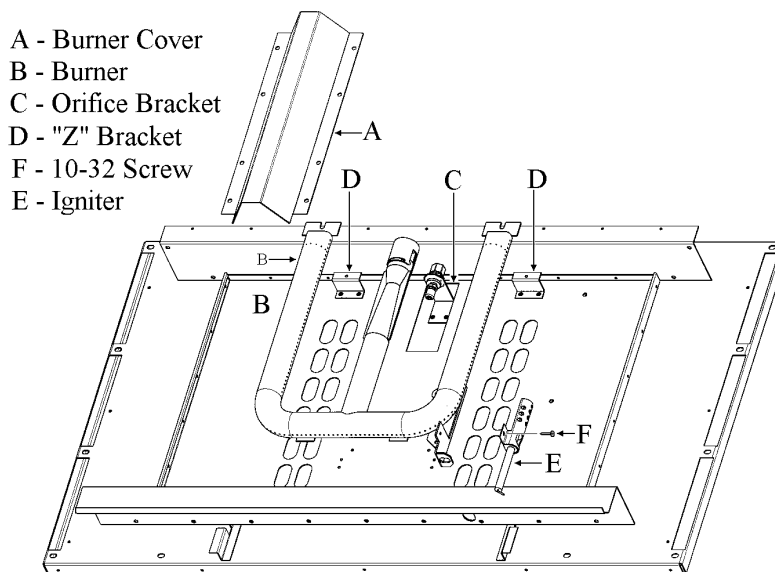
**Complaint:** Burner shutdown during normal bake operation and self-clean operation.

**Correction:** Install new burner with welded igniter bracket:

### VGSC366 (36") Part # G5008217 10" Bake Burner

1. Remove racks and rack supports.
2. Remove bottom pan assembly.
3. Remove burner cover (A).
4. Remove old burner (B).
5. Remove igniter and igniter bracket (E) - (retain igniter for later use.)
6. Remove (2) rear "Z" brackets (D).
7. Remove orifice bracket (C)
8. Install new orifice bracket.
9. Install (2) new "Z" brackets.
10. Place new burner in position (**DO NOT MOUNT**).
11. Install igniter on burner using supplied SS 10-32 screw (F)
12. Mount rear of burner to "Z" brackets.
13. Drill 2 new holes in burner bottom for front brackets.
14. Re-install burner cover (A), bottom pan assembly, rack supports and racks.

Gas Self-Clean ranges manufactured after March 1, 2002 include the new welded burner assembly.



## *Viking Preferred Service*

Viking Range Corporation • 5601 Viking Road-CR525 • Greenwood, Mississippi (MS) • 38930 • (662) 451-4133 • Fax: (662) 451-4386

### **Service Bulletin**

No: 2002-09

Date: 1/30/02

### **Request for return of defective spark modules**

PA020020 – Spark Module

PA020021 – Spark Module

PA020013 – Spark Module

### **Return Part**

Viking Preferred Service is requesting return of defective spark modules to Viking Range Corporation for inspection. Please include a copy of warranty claim with returned part listing model, serial number, customer complaint, and reason for replacement.

Please return to the following address:

Viking Preferred Service  
Attn: Service Department  
5601 Viking Road #25  
Greenwood, MS 38930

## *Viking Preferred Service*

Viking Range Corporation • 5601 Viking Road-CR525 • Greenwood, Mississippi (MS) • 38930 • (662) 451-4133 • Fax: (662) 451-4386

### **Service Bulletin**

No: 2002-10

Date: 1/30/02

### **Request for return of defective thermostats**

PJ030003 – Thermostat  
PJ030012 – Thermostat  
PB010035 – Thermostat  
PB010036 – Thermostat

### **Return Part**

Viking Preferred Service is requesting return of defective thermostats to Viking Range Corporation for inspection. Please include a copy of warranty claim with returned part listing model and serial number.

Please return to the following address:

Viking Preferred Service  
Attn: Service Department  
5601 Viking Road #25  
Greenwood, MS 38930

## *Viking Preferred Service*

Viking Range Corporation • 5601 Viking Road-CR525 • Greenwood, Mississippi (MS) • 38930 • (662) 451-4133 • Fax: (662) 451-4386

### **Service Bulletin**

**No: 2002-29**

**Date: 9/03/02**

**Release: Parts Manual Updates**

**Re: New Brass Valve and Knobs**

**Models: VGRC / VGIC / VDSC / VGSC / VGRT**

VGRC / VGIC beginning serial number R08090218539

VDSC / VGSC beginning serial number R08090218249

VGRT beginning serial number T12280110091

For products manufactured before the serial number break, the top burner valve (PA010024) is replaced with the G5008434 valve and knob kit (includes new brass valve and replacement knobs).

Orders received for PA010024 will automatically substitute to the G5008434 Valve knob kit. G5008434 Valve knob kit includes both black and white knob.

The list price for the G5008434 kit is \$36.00.

Please find the attached updates for the parts manuals for the following models:

VGSC306 – Pages 5 & 7

VGSC366 – Pages 2, 6 & 12

VGIC305 – Pages 2, 6 & 8

VGIC365/485 – Pages 2, 6, & 13

VGRC36"/48"/60" – Pages 5 & 12

VDSC305 – Pages 5 & 7

VDSC365 – Pages 5 & 11

VDSC485 – Pages 7 & 13

VGRT30"/36"/48"/60" – Pages 5 & 7

VGRT420 – Pages 5 & 7

Please communicate this information to all applicable personnel within your organization.

*Viking Preferred Service*

Viking Range Corporation • 5601 Viking Road-CR525 • Greenwood, Mississippi (MS) • 38930 • (662) 451-4133 • Fax: (662) 451-4386

**Service Bulletin:2003-1-CE**

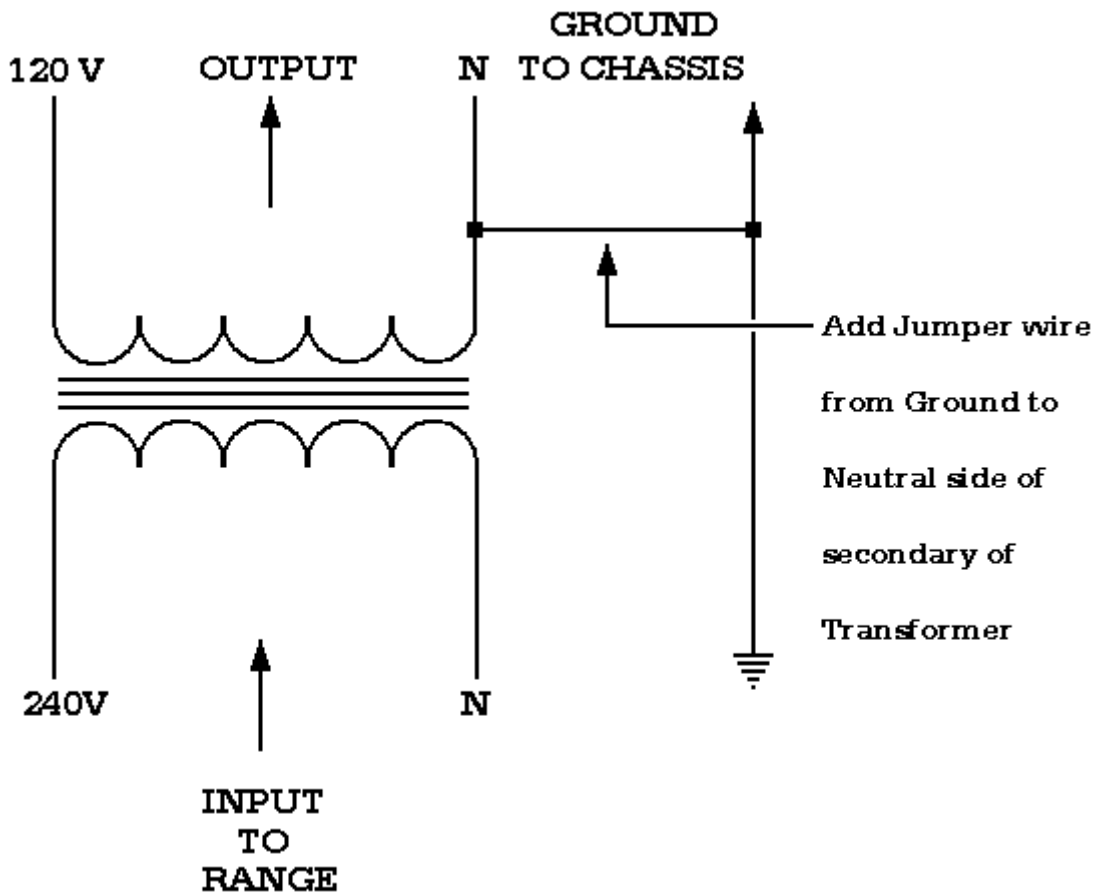
**Date: July 02,2003**

**Subject: Ghost Arching**

**Models: CE Gas, E and D models**

**Complaint: Intermittent Sparking of the Surface igniters when in the off position.  
This occurs while the oven is in use.**

**Correction: Add jumper wire from ground to Neutral side of Secondary of Transformer (See Diagram below).**





**Service Bulletin:**

No: 2003-06S

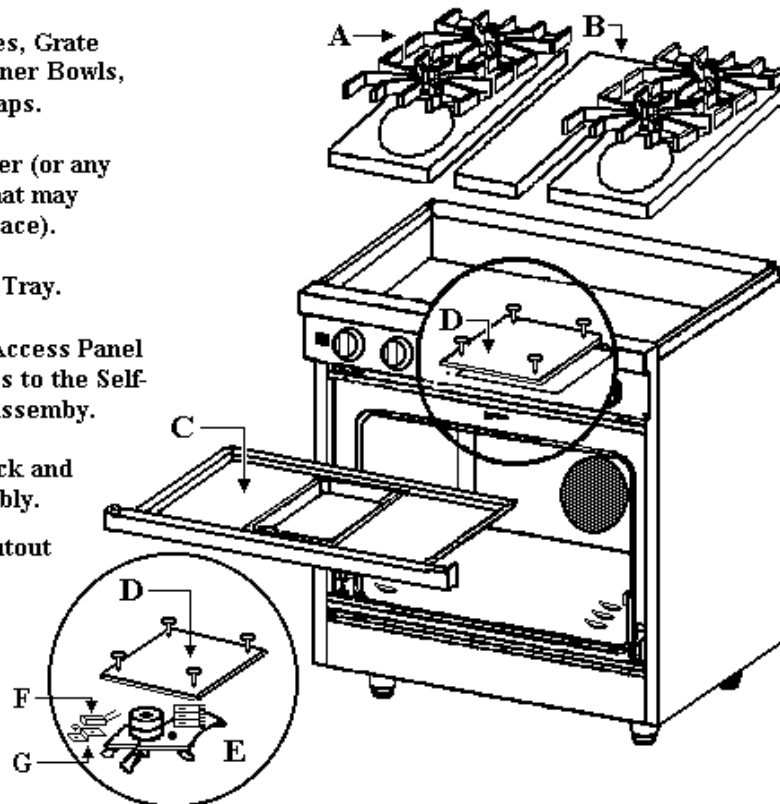
Date: 01/15/03

Models:VGSC306/366 Gas Self-clean Ranges

**Complaint: All power to range goes out, including Top Burners. High Limit Switch opening due to radiated heat from the metal that it is mounted on.  
IF TOP BURNERS OPERATES, THE HIGH LIMIT SWITCH IS OK**

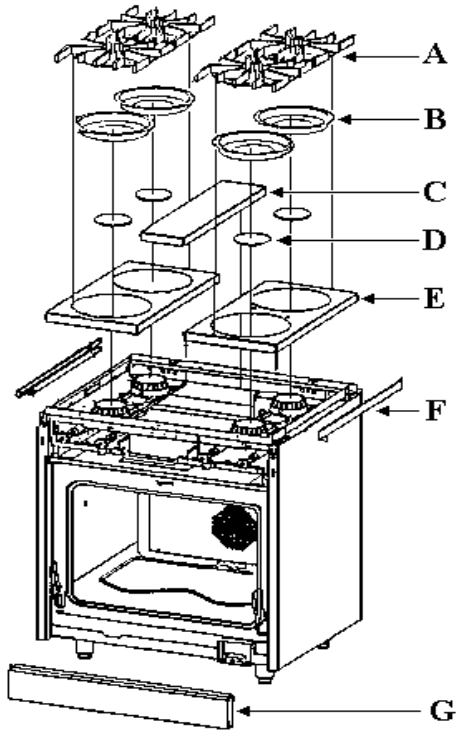
**Correction:** To eliminate this transfer of heat install the "Z" bracket.  
Follow the instruction in illustration 1 for current productions.  
Follow the instruction in illustration 2 for early productions.

- A. Remove Grates, Grate Supports, Burner Bowls, and Burner Caps.
- B. Remove Spacer (or any Component that may occupy this space).
- C. Remove Drip Tray.
- D. Remove the Access Panel to Gain Access to the Self-Clean Lock Assembly.
- E. Self-Clean Lock and Motor Assembly.
- F. High Limit Cutout
- G. "Z" Bracket



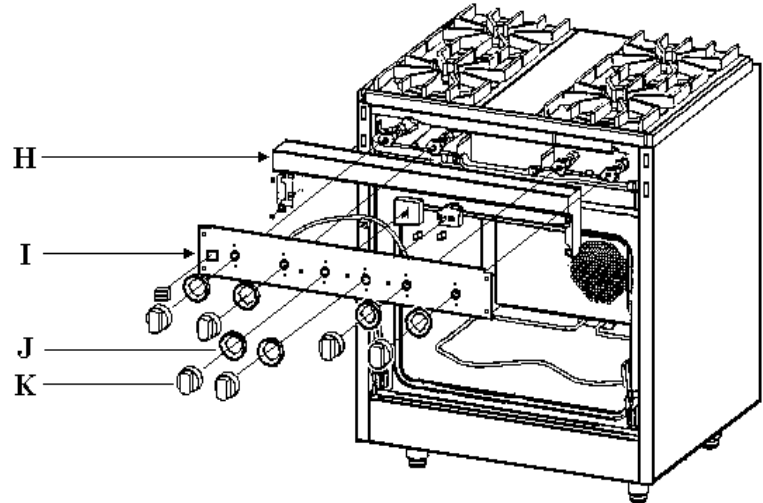
Remove the High Limit Cutout and mount the "Z" bracket in the existing hole. Mount the High Limit Cutout on the "Z" bracket and reverse the disassembly process.

ILL. 1

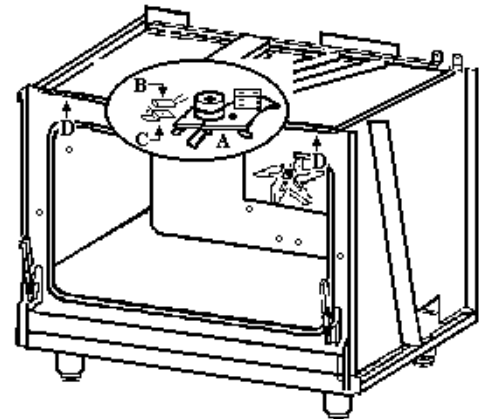
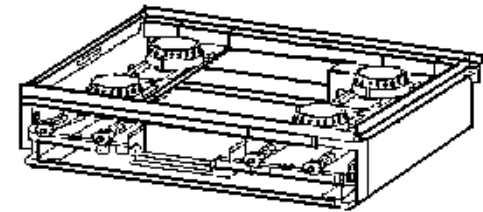
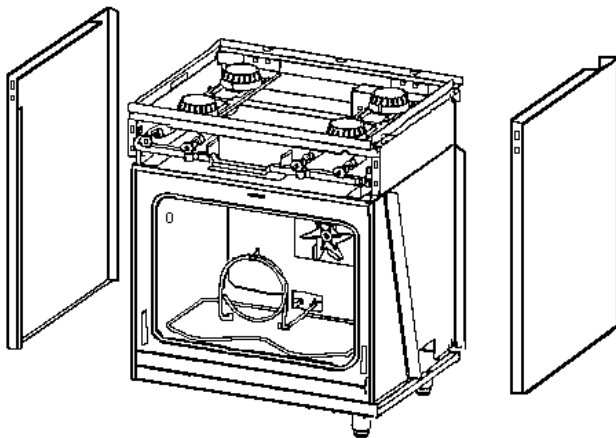


To replace the self clean lock mechanism you will need to remove:

- |                        |                  |
|------------------------|------------------|
| A. Burner Grates       | G. Access Panel  |
| B. Burner bowls        | H. Landing Ledge |
| C. Center Work Space   | I. Control Panel |
| D. Burner Caps         | J. Knob Bezels   |
| E. Grate Supports      | K. Knobs         |
| F. Grate Support Trims |                  |



Remove both side panels and insulation



Remove the six (6) screws (D) along the upper frame above the door that hold the burner box assembly to the oven body. Lift the front of the burner box high enough to gain access to the self-clean lock (A) and associated components [High Limit Switch (B) and Cooling Fan Switch (C)]. Use a block, approximately 6" high, to hold the burner box in place while working on the lock. Remove the High Limit Switch and install the "Z" bracket. Reinstall the High Limit Switch on the "Z" bracket. Reverse the disassembly procedures to restore the range to operating condition.

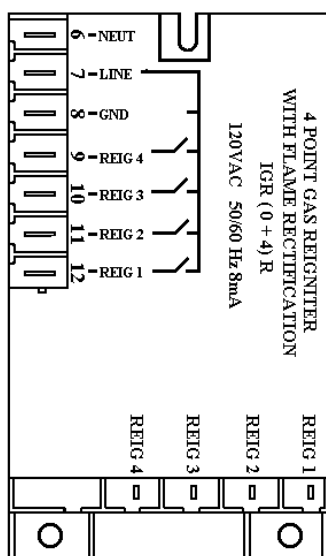
## Instruction Sheet

### Substitution of the 4 + 0 (4-Point Gas Igniter)

Original Spark Module (A) Part Number: PA200040

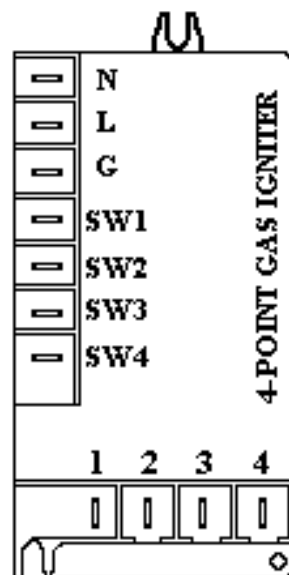
Replacement Spark Module (B) Part Number: PA200041

The differences is the location of the Switch (SW) numbers and the Sensor numbers. They are in reverse order. See the illustrations below.



PA020040

ORIGINAL (A)



PA020041

REPLACEMENT (B)

**Note the sequence of the numbers, the original (A) SW 4 terminal is at the top of the column. The SW 4 terminal is at the bottom of the column on the replacement module (B).**

When replacing the module, place the wire from terminal SW 1 from the original (A) to terminal SW 1 on the replacement module (B), connecting designated terminals to the same terminal on the replacement module.

**The procedure is the same for the 4 sensor terminals, 1 to 1, 2 to 2, 3 to 3, and 4 to 4.**

## **SerBul C RANGETOPS/COOKTOPS**

Service Bulletin #98-06 (VGSU Glow-coil Ignitor)

Service Bulletin #2001-17 (DECU/DGCU Installation Instruction)

Service Bulletin #2001-20 (DGCU Regulator Missing)

Service Bulletin #2001-29 (VGSU101/161 Flames Lifting)

Service Bulletin #2001-29 Revised

Service Bulletin #2002-04 (DECU/DGCU Warranty Replacement Tops)

Service Bulletin #2002-22 (VGRT300/360/420/480 Brass Valves/Knobs)

Service Bulletin #2002-27 (DGCU165 Manifold Parts Correction)

# Service Bulletin

No: 98-06

Date: 1/02/98

## MODEL NUMBER

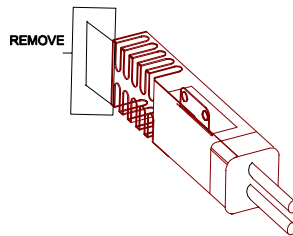
VGSU160 Cooktop

## SPARKMODULE

The spark module PG220021

## CORRECTION

The end of the igniter can be removed by bending forward and removing metal end cap. When replacing the igniter, part number PB040028 is the correct part number to order and will improve ignition.



## PARTS

Part number PB040028 can be ordered from the local parts distributor. Please change the attached page in parts book.

PART BOOK  
F1346

PRODUCT  
VGSO165

PAGE NUMBER  
4 & 5

## *Viking Preferred Service*

Viking Range Corporation • 5601 Viking Road-CR525 • Greenwood, Mississippi (MS) • 38930 • (662) 451-4133 • Fax: (662) 451-4386

### **Service Bulletin**

**No: 2001-17**

**Date: 5/23/01**

**RE: Cooktop installation**

**Models: DECU\DGCU Designer Cooktop**

#### **Complaint:**

Cooktop not holding flush to countertop

#### **Correction:**

Mounting brackets and bolts included with unit must be used to pull unit flush with countertop (added to installation instructions-page 7).

- There must be a 1" (2.5 cm) clearance under counter on all 4 sides of the cooktop for pull down brackets to be attached.
- Eyebolts included with installation brackets have been changed to hex bolts to allow room for tightening brackets and securing cooktop to countertop.

Please order replacement bolts from your local parts distributor.

#### **G5007247 Cooktop Bolt Kit**

Four (4) to six (6) hold brackets will be provided with the unit depending upon the size of the cooktop. It is important after the cooktop is installed into the countertop, to locate the slots on the front, rear and sides of the burner box. Place a bracket in the slots and lower until the bracket catches.

**NOTE:** If counter top is less than 1 1/2" (3.8 cm) thick, a filler block must be used for bolt to push against.

New installation instructions attached.

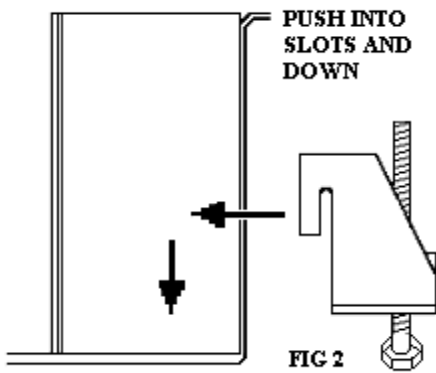
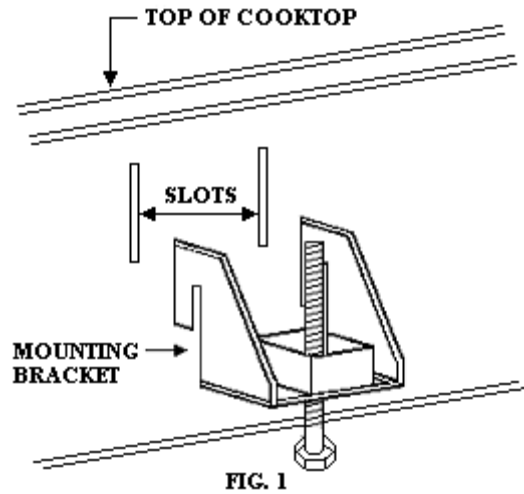
Post Office Drawer 956 • 111 Front Street • Greenwood, Mississippi 38930 USA • Telephone (662) 455-1200 • FAX (662) 453-7939

website: <http://www.vikingrange.com>.

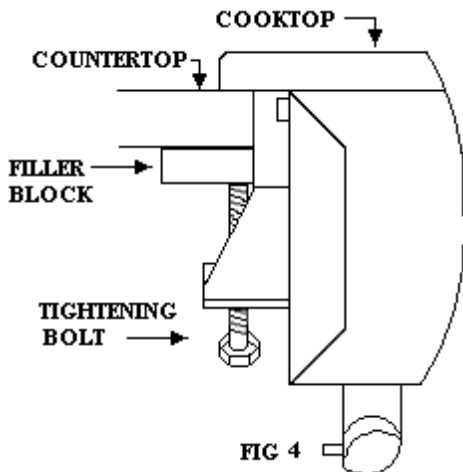
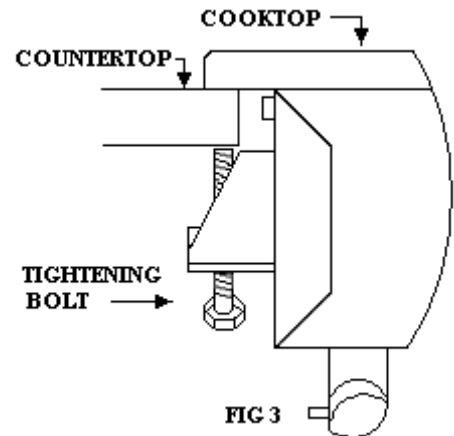
### DESIGNER COOKTOP

DECU / DGCU105-4B (30")  
DECU / DGCU165-6B (36")  
DECU / DGCU155-6B (45")

Four (4) to six (6) hold brackets will be provided with your unit depending upon the size of the cooktop. After cooktop has been installed into the countertop, locate the slots on the front, rear, and sides of the burner box (Figure 1). Place a bracket in the slots and lower until the bracket catches (Figure 2). Use to tighten the cooktop to the countertop (Figure 3).



**NOTE:** If countertop is less than 1 1/2" (3.8cm) thick a filler block will have to be used for bolt to push against. (See Figure 4)



- There must be a 1" (2.5cm) clearance under counter on all 4 sides of the cooktop for pull down brackets to be attached.

*Viking Preferred Service*

Viking Range Corporation • 5601 Viking Road-CR525 • Greenwood, Mississippi (MS) • 38930 • (662) 451-4133 • Fax: (662) 451-4386

**Service Bulletin**

No: 2001-20

Date: 6/07/01

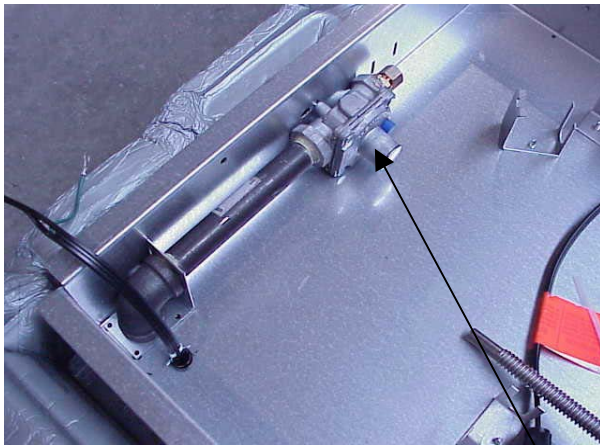
**RE:** Regulator missing in carton

**Models:** DGCU Cooktop

We are experiencing an increase in complaints the regulator is missing from the carton on DGCU Cooktop.

**PLEASE NOTE:**

DGCU Cooktops are shipped with the regulator installed inside the cooktop from the factory.



Regulator

**REGULATOR INSTALLED  
INSIDE UNIT AT FACTORY.  
EXTERNAL REGULATOR NOT  
REQUIRED.**

PF030561

Label added to bottom of cooktop next to gas connection.

Please inform all personnel within your company of this matter.



## *Viking Preferred Service*

Viking Range Corporation • 5601 Viking Road-CR525 • Greenwood, Mississippi (MS) • 38930 • (662) 451-4133 • Fax: (662) 451-4386

### **Service Bulletin**

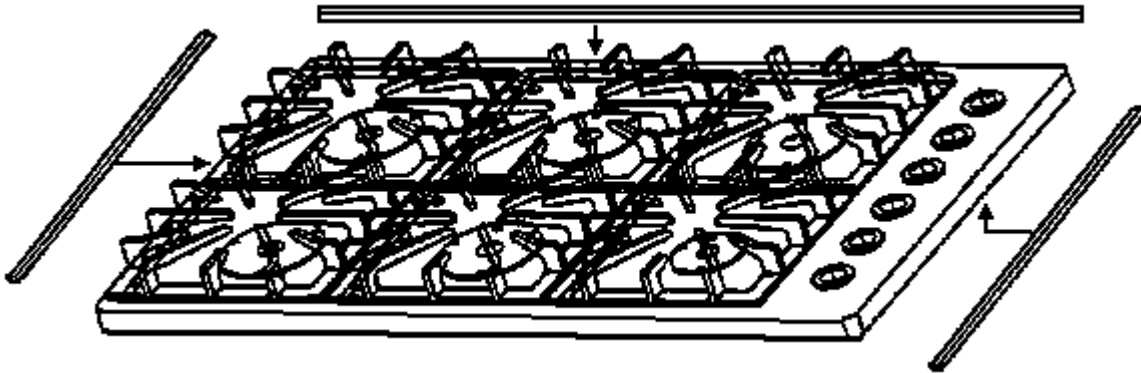
No: 2001-29 (Revised 11/04/02)

Date: 7/25/01

**Complaint:** Flames lift on burner when downdraft is used.

**Models:** VGSU 101/161

**Correction:** A foam gasket strip has been added inside the cooktop surface to improve the seal.



The part number for the VGSU Cooktop gasket assembly:

VGSU 101 (G5007420) – Cut to size one (1) foam strips cut to size at 30.5”(rear) and two (2) foam strips cut to size at 19.375”(left and right).

VGSU 161 (G5007420) – Cut to size one (1) foam strips cut to size at 36.5” (rear) and two (2) foam strips cut to size at 19.375” (left and right).

These new kits will be available from your local parts distributor.

## Viking Preferred Service

Viking Range Corporation • 5601 Viking Road-CR525 • Greenwood, Mississippi (MS) • 38930 • (662) 451-4133 • Fax: (662) 451-4386

### Service Bulletin

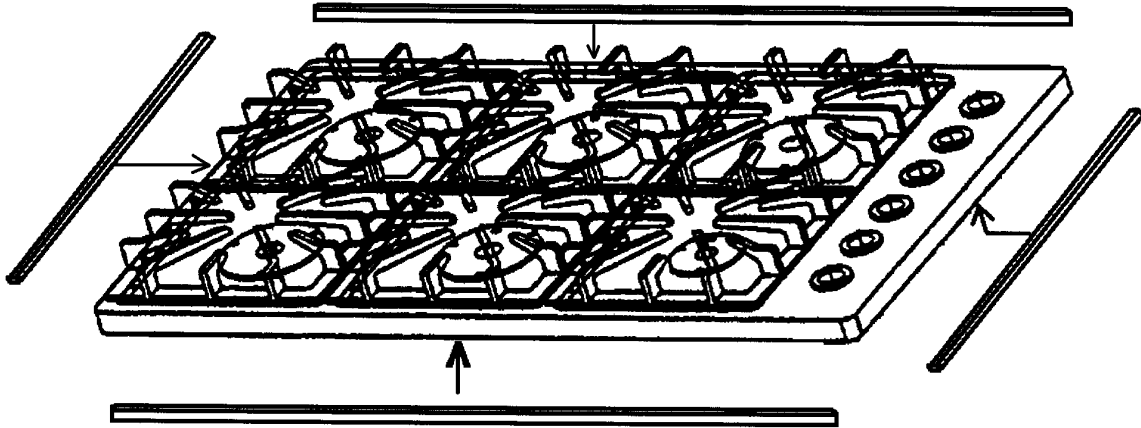
No: 2001-29

Date: 7/25/01

**Complaint:** Flames lift on burner when downdraft is used.

**Models:** VGSU 101/161

**Correction:** A foam gasket strip has been added inside the cooktop surface to improve the seal.



The part number for the VGSU Cooktop gasket assembly:

VGSU 101 (G5007420) – Cut to size two (2) foam strips cut to size at 30.5”(front and rear) and two (2) foam strips cut to size at 19.375”(left and right).

VGSU 161 (G5007420) – Cut to size two (2) foam strips cut to size at 36.5” (front and rear) and two (2) foam strips cut to size at 19.375” (left and right).

These new kits will be available from your local parts distributor.

## Service Bulletin



No: 2002-04

Date: March 12, 2002

Re: 12 Month Warranty for replacement tops

Model: DECU/DGCU Designer Series cooktop

The cooktop surface for the Designer Series cooktops is warranted to be free from defective materials and workmanship in normal household use for a period of twelve (12) months from the date of original retail purchase. Viking Range Corporation agrees to repair or replace, at its option, any defective cooktop surface during the warranty period.

Please communicate this to all applicable personnel within your organization.

## Viking Preferred Service

Viking Range Corporation • 5601 Viking Road-CR525 • Greenwood, Mississippi (MS) • 38930 • (662) 451-4133 • Fax: (662) 451-4386

### Service Bulletin

No: 2002-22

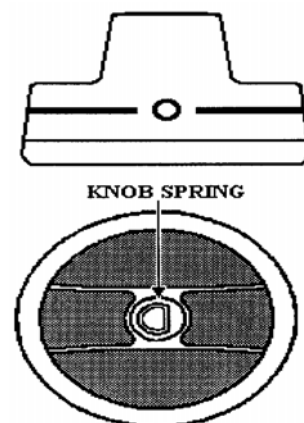
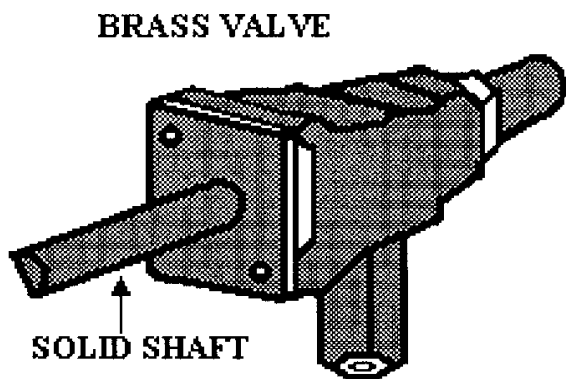
Date: 06/27/02

Re: New brass valves and knobs

Models: VGRT300/360/420/480

New Part Number	Description	Replaces	Old Part Number
PA010096	Top Burner Valve	Replaces	PA010024
PA010119	Grill Valve	Replaces	PA010030
PA020029	Switch Spacer	N/A	N/A
PB010206	Top Burner Knob – BK	Replaces	PB010034
PB010122	Grill Knob – BK	Replaces	PB010039
PB010207	Top Burner Knob – WH	Replaces	PB010035
PB010123	Grill Knob – WH	Replaces	PB010040
PC010007	Knob Spring	N/A	N/A

These changes are in effect for all models manufactured after serial T12280110091.



Please communicate this to all applicable personnel within your organization.

## *Viking Preferred Service*

Viking Range Corporation • 5601 Viking Road-CR525 • Greenwood, Mississippi (MS) • 38930 • (662) 451-4133 • Fax: (662) 451-4386

### **Service Bulletin:**

No: 2002-27

Date: 7/31/02

Re: Incorrect Part Number

Model: DGCU165

The part number for the manifold was listed incorrectly in the replacement parts catalog for the above model. The part number originally listed is for the 45" Designer Cooktop (DGCU155). See below for the correct part number and replace the existing page in your catalog with the attached corrected page.

<b>Incorrect Part #</b>	<b>Incorrect Part # Desc.</b>	<b>Correct Part #</b>	<b>Correct Part # Desc.</b>
PA050075	45" Manifold	PA050074	36" Manifold

Please communicate this to all personnel in your organization.

## **SerBul D WALL OVENS**

Service Bulletin #98-03 (Infrared Broil Burner Ignitor)

Service Bulletin #99-05 Revised (VESO105/VEDO205 Condensation on Control Panel)

Service Bulletin #99-06 (VGDO270/VEDO275 Electronic Timer)

Service Bulletin #99-11 VEDO205/VEDO276 Electric Wall Ovens Man./Timed Switch)

Service Bulletin #2000-1PA (VGSO166 Clock/Timer Discontinued)

Service Bulletin #2000-1CE (EVGSO166 Clock/Timer Discontinued)

Service Bulletin #2000-7 (VGSO166 36" Gas Wall Oven Replacement Clock/Timer)

Service Bulletin #2001-01 (VESO/VEDO 208Volt Elements)

Service Bulletin #2001-01P (VESO/VEDO/VDSC/VESC 208Volt Elements)

Service Bulletin #2001-19 (VGSO165 Knob and Bezel Kit)

Service Bulletin #2001-35 (VEDO/VESO Replacement Relay)

Service Bulletin #2002-12 (DESO100/170 DEDO200/270 Complete Door Assembly)

Service Bulletin #2002-19 (VESO105/VEDO205 Clock Set Knobs Correction)

Service Bulletin #2002-24 (DESO100/105/170/175 and DEDO200/205/270/275  
Complete Door Assemblies)

Service Bulletin #2002-25R (DESO100/105/170/175 and DEDO200/205/270/275  
Complete Door Assemblies)

Service Bulletin #2002-31 (VEDO273 Electronic Timer Parts Correction)

Service Bulletin #2003-12S (Noisy Cooling Fan)

# Service Bulletin

No: 98-03

Date: 1/02/98

## MODEL NUMBER

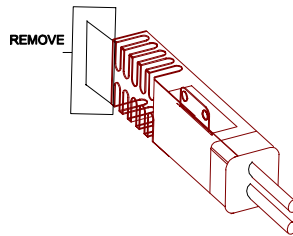
VGSO165 Wall Oven

## INFRARED BROIL BURNER

It has been brought to our attention that "delayed ignition" may occur in our infrared burner if the incorrect igniter is used in repairs. We have discovered the PB040001 oven igniter has been used as the replacement igniter on the infrared broil burner on model VGSO165 wall ovens. The PB040001 oven igniter is designed with a cover on the end for ignition on the top rather than the end.

## CORRECTION

The end of the igniter can be removed by bending forward and removing metal end cap. When replacing the igniter, part number PB040028 is the correct part number to order and will improve ignition.



## PARTS

Part number PB040028 can be ordered from the local parts distributor. Please change the attached page in parts book.

PART BOOK  
F1346

PRODUCT  
VGSO165

PAGE NUMBER  
4 & 5

# Service Bulletin

No: 99-05 - Revised

Date: 8/03/99

## **MODEL NUMBER**

VESO105\VEDO205

## **CONDENSATION**

Customer complains of condensation on the control panel when the upper oven is in use.

Please be advised of modifications to the wiring for the fan motor on the VESO105\VEDO205 30" Electric Wall Ovens. A condensation repair kit is now available to eliminate condensation in the control area.

## **CORRECTION**

The fan motor is connected with the addition of a resistor block to the thermostat to run at a low speed when the thermostat is in the on position.

## **PARTS**

Part number G5004549 can be ordered from the local parts distributor.



# Service Bulletin

No: 99-06

Date: 8/03/99

## **MODEL NUMBER**

VGDO270/VEDO275

## **ELECTRONIC TIMER**

Please be advised part number PE110001 Clock/Timer for models VGDO270/VEDO275 is discontinued.

Please refer all requests for this part to Viking Preferred Service including the following information:

Model number: \_\_\_\_\_

Serial number: \_\_\_\_\_

Customer name: \_\_\_\_\_

Street Address: \_\_\_\_\_

City: \_\_\_\_\_

State: \_\_\_\_\_

Phone number: \_\_\_\_\_

Date of Purchase: \_\_\_\_\_

If you have any questions, please contact Viking Preferred Service at 800-467-2665.

## **Service Bulletin**

No: 99-11

Date: 11/04/99

### **Model Number**

VEDO205\VEDO276 Electric Wall Oven

### **Complaint**

Both ovens come on when the upper or lower oven is turned on.

### **Correction**

Replace the MANUAL/TIMED selector switch.

### **Parts**

Part number PJ030010 Selector Switch (3 position) can be ordered from the local parts distributor.

## Parts Bulletin

No: 2000-1PA

Date: 04/17/00

### Model Number

VGSO166 36" W. Gas Wall Oven

### Clock/Timer Discontinued

The (PE050018) clock\timer for the VGSO wall oven is no longer available.

### Replacement Clock/Timer

Models manufactured after 11/10/99 order part number PE050061 Clock/Timer.

Models manufactured before 11/10/99 use the kit numbers listed below. The replacement Clock / Timer No. PE050061 requires the control panel to retrofit and replace part number PE050018. The new replacement Clock / Timer assembly listed below includes the clock, control panel and replacement set buttons.

<b><u>*G5004598BK</u></b>	<b>VGSO166 BK CTRL PAN CLOCK ASSY</b>	1
PE050061	WORLDTRONIC TIMER CLOCK	1
PE040097	VGSO166 BK GLASS CTRL PANEL	1
PB010203	SET BUTTONS	8
<b><u>*G5004599WH</u></b>	<b>VGSO166 WH CTRL PAN CLOCK ASSY</b>	1
PE050061	WORLDTRONIC TIMER CLOCK	1
PE040098	VGSO166 WH GLASS CTRL PANEL	1
PB010195	SET BUTTONS	8

\* **Note: New clock/timer replacement kits are available with black or white control panels. Must specify number to receive kit with black or white control panel.**

\*\* **Note: It may be necessary to change both clocks on multiple unit installations.**

## Parts Bulletin

No: 2000-1CE

Date: 04/17/00

### Model Number

EVGSO166 36" W. Gas Wall Oven

### Clock/Timer Discontinued

The (PE050018) clock\timer for the EVGSO wall oven is no longer available.

### Replacement Clock/Timer

Models manufactured after 11/10/99 order part number PE050061 Clock/Timer.

Models manufactured before 11/10/99 use the kit numbers listed below. The replacement Clock / Timer No. PE050061 requires the control panel to retrofit and replace part number PE050018. The new replacement Clock / Timer assembly listed below includes the clock, control panel and replacement set buttons.

<b><u>*G5004596BK</u></b>	<b>EVGSO166 BK CTRL PAN CLOCK ASSY</b>	1
PE050061	WORLDTRONIC TIMER CLOCK	1
PE040099	EVGSO166 BK GLASS CTRL PANEL	1
PB010203	SET BUTTONS	8
<b><u>*G5004597WH</u></b>	<b>EVGSO166 WH CTRL PAN CLOCK ASSY</b>	1
PE050061	WORLDTRONIC TIMER CLOCK	1
PE040100	EVGSO166 WH GLASS CTRL PANEL	1
PB010195	SET BUTTONS	8

\* **Note: New clock/timer replacement kits are available with black or white control panels. Must specify number to receive kit with black or white control panel.**

\*\* **Note: It may be necessary to change both clocks on multiple unit installations.**

## Parts Bulletin

No: 2000-7

Date: 04/14/00

### Model Number

VGSO166 36" W. Gas Wall Oven

### Clock/Timer Discontinued

The (PE050018) clock/timer for the VGSO wall oven is no longer available.

### Replacement Clock/Timer

Models manufactured after 11/10/99 order part number PE050061 Clock/Timer.

Models manufactured before 11/10/99 use the kit numbers listed below. The replacement Clock / Timer No. PE050061 requires the control panel to retrofit and replace part number PE050018. The new replacement Clock / Timer assembly listed below includes the clock, control panel and replacement set buttons.

<b><u>*G5004598BK</u></b>	<b>VGSO166 BK CTRL PAN CLOCK ASSY</b>	1
PE050061	WORLDTRONIC TIMER CLOCK	1
PE040097	VGSO166 BK GLASS CTRL PANEL	1
PB010203	SET BUTTONS	8
<b><u>*G5004599WH</u></b>	<b>VGSO166 WH CTRL PAN CLOCK ASSY</b>	1
PE050061	WORLDTRONIC TIMER CLOCK	1
PE040098	VGSO166 WH GLASS CTRL PANEL	1
PB010195	SET BUTTONS	8

\* **Note: New clock\timer replacement kits are available with black or white control panels. Must specify number to receive kit with black or white control panel.**

\*\* **Note: It may be necessary to change both clocks on multiple unit installations.**

## *Viking Preferred Service*

Viking Range Corporation • 5601 Viking Road-CR525 • Greenwood, Mississippi (MS) • 38930 • (662) 451-4133 • Fax: (662) 451-4386

### **Service Bulletin**

No: 2001-01

Date: 1/04/01

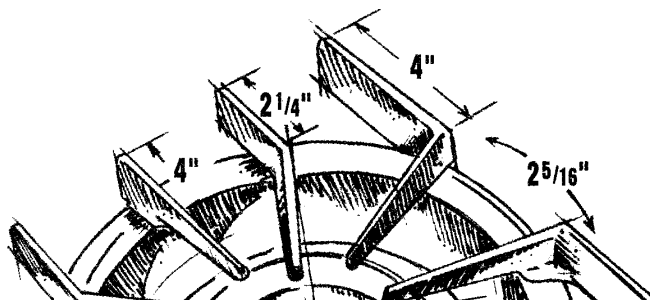
#### **Model Number**

VESO/VEDO Electric Wall Ovens- VDSC Dual Fuel Ranges \ VESC Electric Ranges

#### **208 Volt Elements**

208-Volt Elements are now available for installations with low voltage supply. The elements are available through your local parts distributor.

<b><u>Part Number</u></b>	<b><u>Description</u></b>
PJ010013	– Center Broil Element, 208-Volts
PJ010014	– Outside Broil Element, 208-Volts
PJ010015	– Convection Element, 208-Volts
PJ010016	– VDSC 305 Bake Element, 208-Volts
PJ010017	– VDSC 485 LH Oven Bake Element, 208-Volts
PJ010018	– VDSC 365 Bake Element, 208-Volts
PJ010020	– Outside Broil Element-27", 208-Volts
PJ010021	– Bake Element-27", 208-Volts



**VIKING**  
Professional Performance for the Home

## Viking Preferred Service

Viking Range Corporation • 5601 Viking Road-CR525 • Greenwood, Mississippi (MS) • 38930 • (662) 451-4133 • Fax: (662) 451-4386

### Service Bulletin

No: 2001-01P

To: Parts Distributors

Date: 1/04/01

#### Model Number

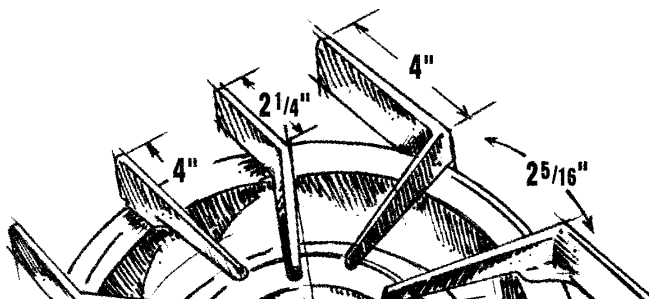
VESO/VEDO Electric Wall Ovens- VDSC Dual Fuel Ranges \ VESC Electric Ranges

#### 208 Volt Elements

208-Volt Elements are now available for installations with low voltage supply.

Suggested stocking inventory. Please issue a PO for the following parts:

Part Number	Description	Stock	List Price	Cost	Total
PJ010013	Center Broil Element, 208-Volts	6	\$17.00	\$8.50	\$51.00
PJ010014	Outside Broil Element, 208-Volts	6	\$19.00	\$9.50	\$57.00
PJ010015	Convection Element, 208-Volts	6	\$20.00	\$10.00	\$60.00
PJ010016	VDSC 305 Bake Element, 208-Volts	6	\$30.00	\$15.00	\$90.00
PJ010017	VDSC 485 LH Oven Bake Element, 208-Volts	6	\$20.00	\$10.00	\$60.00
PJ010018	VDSC 365 Bake Element, 208-Volts	6	\$33.00	\$16.50	\$99.00
PJ010020	Outside Broil Element-27", 208-Volts	6	\$17.00	\$8.50	\$51.00
PJ010021	Bake Element-27", 208-Volts	6	\$28.00	\$14.00	\$84.00
					<b>\$552.00</b>



**VIKING**  
Professional Performance for the Home

## *Viking Preferred Service*

Viking Range Corporation • 5601 Viking Road-CR525 • Greenwood, Mississippi (MS) • 38930 • (662) 451-4133 • Fax: (662) 451-4386

### **Service Bulletin**

No: 2001-19

Date: 6/04/01

**RE:** Sub Number for Knob and Bezel Kit

**Models:** VGSO 165

There is now a new kit number for white knobs for the VGSO 165. The new kit number is G5007248 and will be substituted for PB010041. This new knob kit will include the following items:

<u>Part Number</u>	<u>Description</u>	<u>Qty.</u>
PB010118	Selector Knob (WH)	1
PB010100	Thermostat Knob BK/BR (WH)	1
PB010209	Bezel (Brass)	2
PB010208	Bezel (Chrome)	2

The price for this new knob kit is \$38.00 and will be available from your local parts distributor.



*Viking Preferred Service*

Viking Range Corporation • 5601 Viking Road-CR525 • Greenwood, Mississippi (MS) • 38930 • (662) 451-4133 • Fax: (662) 451-4386

**Service Bulletin**

No: 2001-35

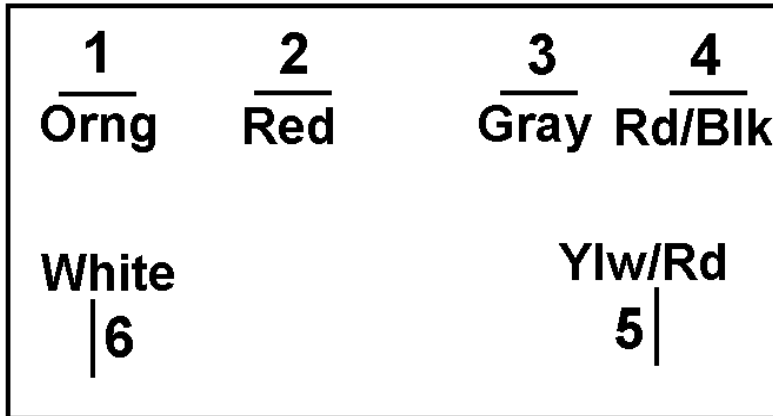
Date: 9/19/01

**Models:** VEDO/VESO Electric Wall Ovens, VESC Electric Ranges and VDSC Dual Fuel Ranges

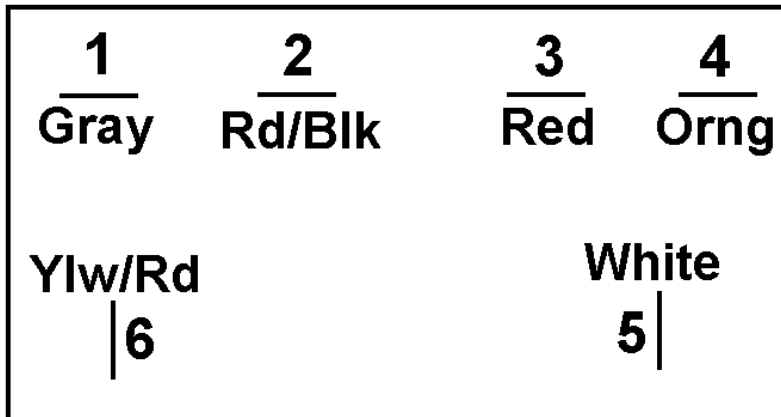
**Re:** New replacement relay – wiring instructions

New relay (PM010129) replaces relay PM010026 and will automatically replace the original equipment relay when ordered from your parts distributor.

**Solution:** See diagrams below for proper installation of new relay:



**VDSC Dual Fuel Ranges (LH and RH Ovens) and VESC Electric Ranges.**



**VESO/VEDO Electric Wall Ovens**

## Viking Preferred Service

Viking Range Corporation • 5601 Viking Road-CR525 • Greenwood, Mississippi (MS) • 38930 • (662) 451-4133 • Fax: (662) 451-4386

### Service Bulletin

No: 2002-12

Date: 6/27/02

Re: New complete door assemblies and subs to these assemblies

Models: DESO100/170 DEDO200/270

Part numbers for the complete door assemblies for the designer series wall ovens have changed for units manufactured after 2/15/02.

<u>Model</u>	<u>New Part #</u>	<u>Replaces</u>	<u>Old Part Number</u>
DESO100	G3207970**	Replaces	G3206012**
DESO170	G3207968**	Replaces	G3206000**

<u>Model</u>	<u>New Part # (Upper Door)</u>	<u>Replaces</u>	<u>Old Part Number (Upper Door)</u>
DEDO200	G3207970**	Replaces	G3206012**
DEDO270	G3207968**	Replaces	G3206000**

<u>Model</u>	<u>New Part # (Lower Door)</u>	<u>Replaces</u>	<u>Old Part Number (Lower Door)</u>
DEDO200	G3207969**	Replaces	G3206019**
DEDO270	G3207967**	Replaces	G3206010**

Due to component changes with the new door assemblies, a complete door assembly must be ordered to replace the following parts:

<u>Component Part</u>	<u>Description</u>	<u>subs to</u>	<u>Complete Door Assy.</u>	<u>Model(s)</u>
G5007230**	O/S Skin Assy.	subs to	G3207970***^	DESO100/DEDO200
G5007231**	O/S Skin Assy.	subs to	G3207969***^	DEDO200
G5007232**	O/S Skin Assy.	subs to	G3207968***^	DESO170/DEDO270
G5007233**	O/S Skin Assy.	subs to	G3207967***^	DEDO270
H9106014	I/S Liner Assy.	subs to	G3207970***^ or G3207969***^	DESO100/DEDO200
H9106002	I/S Liner Assy.	subs to	G3207968***^ or G3207967***^	DESO170/DEDO270

\*\*BK,BT,GG,SG,SS,WH

^Add "BR" for Brass Option if applicable.

*Viking Preferred Service*

Viking Range Corporation • 5601 Viking Road-CR525 • Greenwood, Mississippi (MS) • 38930 • (662) 451-4133 • Fax: (662) 451-4386

**Service Bulletin**

**No:** 2002-19

**Date:** 06/27/02

**Models:** VESO105 / VEDO205 Electric Wall Ovens

**Re:** Parts incorrectly labeled in parts manuals

The clock set knobs and the clock set buttons were incorrectly labeled in the parts manuals for the VESO105 and VEDO 205. Replace the incorrect pages with the attached corrected pages.

Please communicate this to all personnel in your organization.

# Viking Preferred Service

Viking Range Corporation • 5601 Viking Road-CR525 • Greenwood, Mississippi (MS) • 38930 • (662) 451-4133 • Fax: (662) 451-4386

## Service Bulletin

No: 2002-24

Date: 7/19/02

Re: Correct complete door assembly part numbers

Models: DESO100/105/170/175 and DEDO200/205/270/275

<u>Model</u>		<u>Old Part Number</u>	<u>Current Part Number</u>
DESO100		G3206012**^	G3207970**^
DESO170		G3206000**^	G3207968**^
DEDO200	Upper Door	G3206012**^	G3207970**^
	Lower Door	G3206019**^	G3207969**^
DEDO270	Upper Door	G3206000**^	G3207968**^
	Lower Door	G3206010**^	G3207967**^
DESO105		N/A	G3207983**^
DESO175		N/A	G3207284**^
DEDO205	Upper Door	N/A	G3207283**^
	Lower Door	N/A	G3207277**^
DEDO275	Upper Door	N/A	G3207284**^
	Lower Door	N/A	G3027250**^

**All of the old part numbers were discontinued effective 2/15/02.**

\*BK,BT,GG,SG,SS,WH

^Add "BR" for Brass Option

Please communicate this information to all applicable personnel within your organization.

## Viking Preferred Service

Viking Range Corporation • 5601 Viking Road-CR525 • Greenwood, Mississippi (MS) • 38930 • (662) 451-4133 • Fax: (662) 451-4386

### Service Bulletin

No: 2002-24R

Date: 7/19/02

Re: Correct complete door assembly part numbers

Models: DESO100/105/170/175 and DEDO200/205/270/275

<u>Model</u>		<u>Old Part Number</u>	<u>Current Part Number</u>
DESO100		G3206012**^	G3207970**^
DESO170		G3206000**^	G3207968**^
DEDO200	Upper Door	G3206012**^	G3207970**^
	Lower Door	G3206019**^	G3207969**^
DEDO270	Upper Door	G3206000**^	G3207968**^
	Lower Door	G3206010**^	G3207967**^
DESO105		N/A	G3207983**^
DESO175		N/A	G3207284**^
DEDO205	Upper Door	N/A	G3207283**^
	Lower Door	N/A	G3207277**^
DEDO275	Upper Door	N/A	G3207284**^
	Lower Door	N/A	G3027250**^

**All of the old part numbers were discontinued effective 2/15/02.**

\*BK,BT,GG,SG,SS,WH

^Add "BR" for Brass Option

Please communicate this information to all applicable personnel within your organization.

*Viking Preferred Service*

Viking Range Corporation • 5601 Viking Road-CR525 • Greenwood, Mississippi (MS) • 38930 • (662) 451-4133 • Fax: (662) 451-4386

**Service Bulletin**

**No:** 2002-31

**Date:** 10/30/02

**Re:** **F1794 Parts book correction**

**Model:** **VEDO273 Electric Wall Oven**

**Complaint:** Replacing the electronic control for VEDO273 Electric Wall Ovens with part number PE110053 will not allow the convection fan to operate in convection mode.

Item number 26 on page 9 lists the incorrect part number for the electronic timer for this model.

**Please note the correct part number is PE110056 Electronic Timer for model VEDO273 Electric Wall Ovens.** Please replace page 9 in catalog number F1794 with the attached page, which contains the corrected information.

<u>Page #</u>	<u>Item #</u>	<u>Incorrect Part #</u>	<u>Correct Part #</u>	<u>Description</u>
9	26	PE110053*	PE110056	Electronic Timer

\* PE110053 Electronic Timer is a current replacement part for VGDO271 Gas Wall Oven.

Please communicate this information to all applicable personnel within your organization.

Thank you.

# Viking Preferred Service

Viking Range Corporation • 5601 Viking Road-CR525 • Greenwood, Mississippi (MS) • 38930 • (662) 451-4133 • Fax: (662) 451-4386

## Service Bulletin

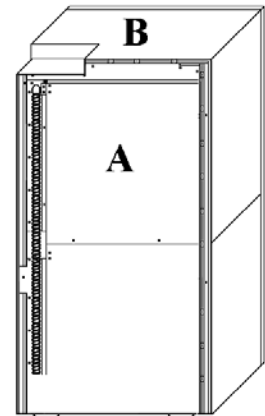
No: 2003 – 12S

Date: 8/25/03

Models: VESO105/VEDO205 30" W. Professional Electric Wall Ovens  
VESO176/VEDO276 27" W. Professional Electric Wall Ovens

Complaint: Noisy Cooling Fan Motors

Correction: Rewire Fan Motor (To reduce fan motor noise)  
For single oven refer to page 2.



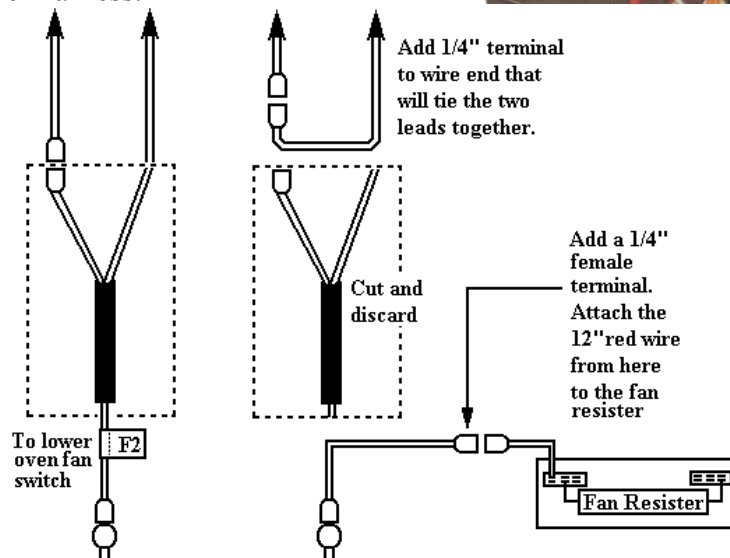
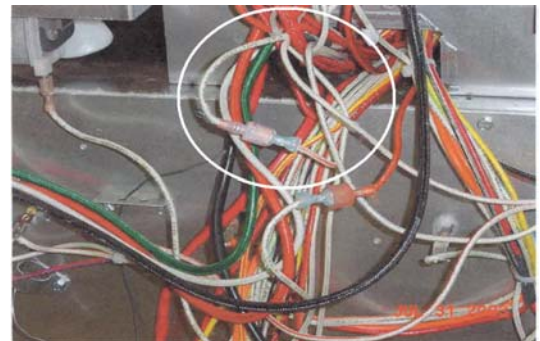
The wiring kit G50010103 consists of:

- 1—18 gauge Red 25" wire with 1/4" female and 3/16" female terminal.
- 1—18 gauge Red 12" wire with 1/4" male and 1/4" female terminal.
- 1—Wire tie
- 2—1/4 female terminals.
- 1—3/16" male terminal.

1. Remove the Wall Oven from the enclosure.
2. Remove the top panel (B).
3. Remove the back panel (A)

## Instructions;

For the lower oven, disconnect white/red wire and cut the splice of the white/red wire out of the harness. Attach the 1/4" female terminals to the two ends of the white/red wires. Connect the disconnected white/red wire to the upper wire harness and connect the 12" red wire to the lower harness.

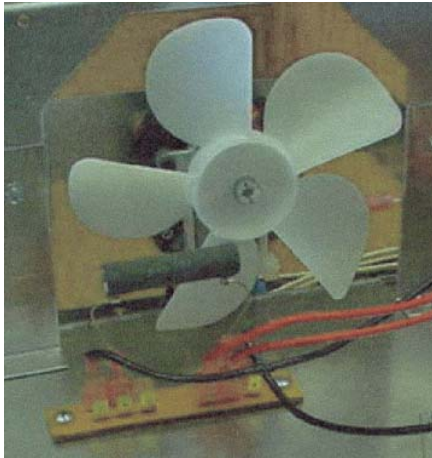


## Upper Oven / Single Oven

For the upper (single) oven, follow the steps below to gain access to the fan switch.

Locate the white/red wire (4) that attaches to the black jumper on the upper fan switch.

Disconnect the white/red wire from the jumper and attach the 20" red wire in its place. Thread the 20" red wire back under the removable component mounting plate and attach to the resistor board.



Cap the disconnected wires with the appropriate terminals. Use wire tie to insure wires do not get into the fan blades.

### TO GAIN ACCESS TO UPPER (TOP) FAN SWITCH:

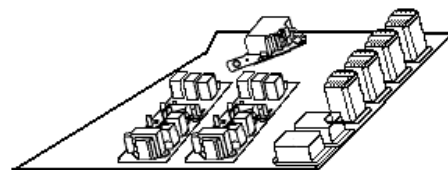
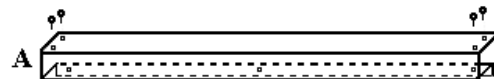
Remove the **Top Trim (A)**. Two screws at each corner attaching the top trim to the side trims and three screws along the bottom of the trim piece.

Remove the **Lower Control Panel Trim (B)**. Three Screws along the

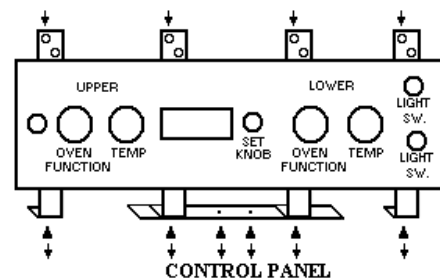
bottom of the trim piece behind the oven door.

Remove the **Control Panel**. Four screws at the top and six screws across the bottom (see drawing of the control panel.) Pull the **Control Panel** carefully forward and tilt up. Being careful not to disconnect wires attached to the components on the reverse of the panel.

The **Component Panel** is now accessible. Pull the **Component Panel** forward to release the panel from the slide. Lift the **Component Panel** up to gain access to the **upper (top) fan switch**.



COMPONENT PANEL



CONTROL PANEL





## **Service Bulletin E MICRO-CHAMBER/WARMING DRAWER**

Service Bulletin #2001-24 (DEWD100/170 Field Repair Rough Sliding Door)

Service Bulletin #2002-05 (VEWD172/102/162 and DEWD170/100 Field Repair Warped Bottom)

## Viking Preferred Service

Viking Range Corporation • 5601 Viking Road-CR525 • Greenwood, Mississippi (MS) • 38930 • (662) 451-4133 • Fax: (662) 451-4386

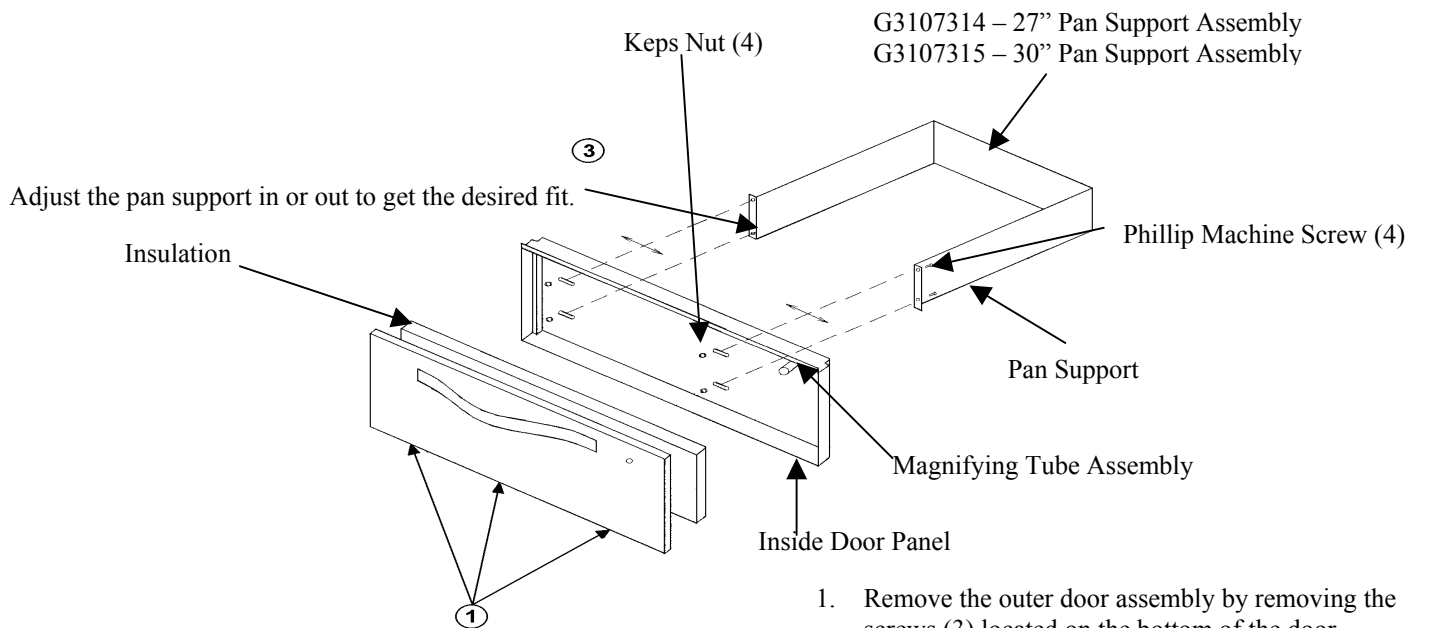
### Service Bulletin

No: 2001-24

Date: 6/25/01

### Models: DEWD 100 / 170 Electric Warming Drawers

Re: Field repair instructions for rough sliding door. Changes completed in production May 1, 2001.



B3006049 - 27" Welded Pan

B3006050 - 30" Welded Pan

1. Remove the outer door assembly by removing the screws (3) located on the bottom of the door.
2. Carefully remove the door panel without damaging the slide knob and magnifying tube for the indicator light.
3. Loosen the four keys nuts and adjust the pan support. Be sure to slide the assembly in and out to get the desired fit before reattaching the door.
4. Make sure insulation is put back in place and the magnifying tube lines up with the indicator light.
5. If the above steps do not work, the pan and support should be replaced. See part numbers in bulletin.

Post Office Drawer 956 • 111 Front Street • Greenwood, Mississippi 38930 USA • Telephone (662) 455-1200 • FAX (662) 453-7939

website: <http://www.vikingrange.com>.

## Service Bulletin

No: 2002-05

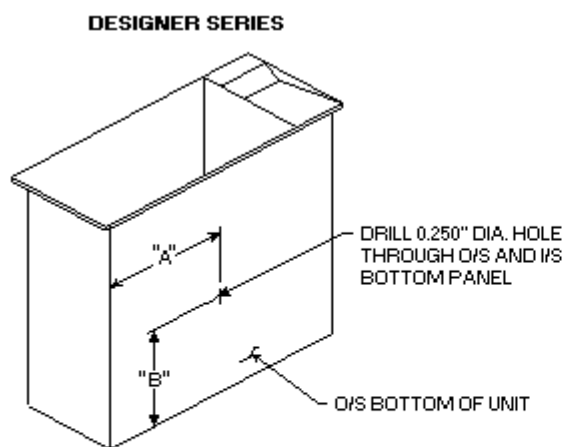
Date: 03/12/02

**Re: Field repair for warped inside bottom panels on Warming Drawer, which causes the drawer to rub the thermal bulb bracket when opening and/or closing.**

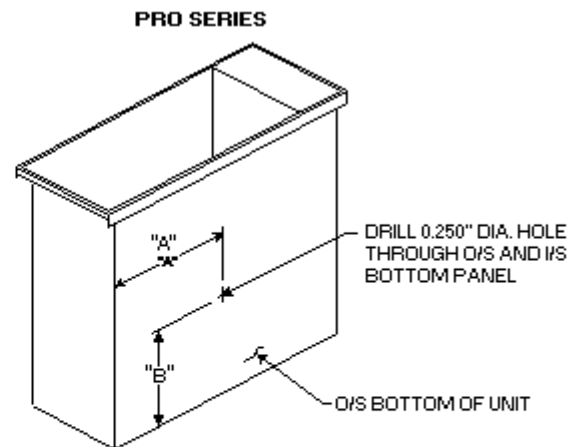
Model: VEWD172/102/162 and DEWD170/100

### Correction:

1. Disconnect the electrical power from the unit and remove from the cabinet.
2. Remove the door and/or pan assemblies.
3. Drill 0.250-diameter hole through the outside and inside bottom panel (see the attached drawing for dimensions).
4. Insert a #10-24 x 0.750" machine screw from the bottom of the unit and use a #10-24 nut on the inside of the unit to pull the two panels together.
5. Install the unit in cabinet and connect electrical power.



MODEL	"A"	"B"
DEWD170	11"	8"
DEWD100	12 1/2"	8"



MODEL	"A"	"B"
VEWD172	8 1/2"	10 1/2"
VEWD102	10"	10 1/2"
VEWD162	12"	10 1/2"

## **SerBul F DISPOSAL / COMPACTOR**

Service Bulletin #2000-4 (VCHW/VBHW/VCFW/VBFW Replace Batch Feed Cover Assembly).

## **Service Bulletin**

No: 2000-4

Date: 03/21/00

### **Model Number**

VCHW/VBHW/VCFW/VBFW – Disposal

### **Complaint**

Water will not run through disposer with batch feed cover assembly inserted in disposer.

### **Correction**

Replace with part number G5002393 Batch Feed Cover Assembly.

## **SerBul G DISHWASHER**

Service Bulletin #2001-03 (Sub List for Dishwasher-Vax Motor/Cir. Pump/Spray Arm)

Service Bulletin #2001-26 (D/W Installation/Drain Connection)

Service Bulletin #2001-37 (DFUD Full Overlay Door Panel)

Service Bulletin #2003 – 01S (New Check Valve Kit #PD140027)

## *Viking Preferred Service*

Viking Range Corporation • 5601 Viking Road-CR525 • Greenwood, Mississippi (MS) • 38930 • (662) 451-4133 • Fax: (662) 451-4386

### **Service Bulletin**

No: 2001-03

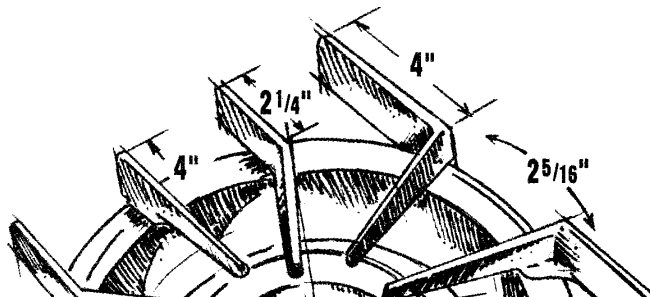
Date: 3/05/01

RE: Sub List for Dishwashers

**PD140004** (Vax Motor) replaces PD140023 and PD360008.

**PD140016** (Circulation Pump) replaces PD310028 and PD310039

**PD130016** (Spray Arm, Lower) replaces PD130024



**VIKING**  
Professional Performance for the Home

## Viking Preferred Service

Viking Range Corporation • 5601 Viking Road-CR525 • Greenwood, Mississippi (MS) • 38930 • (662) 451-4133 • Fax: (662) 451-4386

Date: 7/11/01

Bulletin: 2001-26

### RE: Dishwasher Installation / Drain Connection

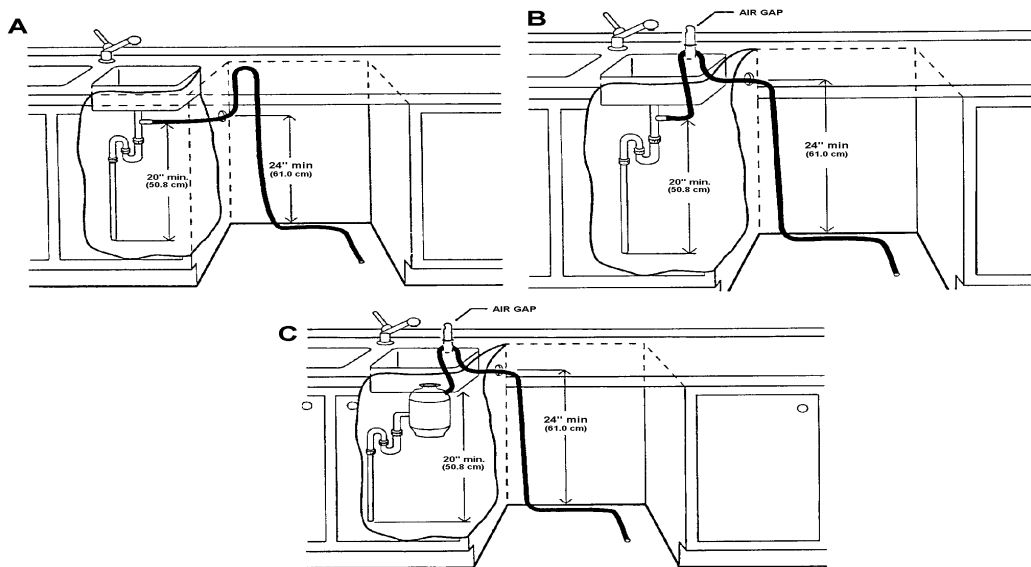
**The number one reported claim for dishwasher repairs is due to improper installation. Please note changes and additions to the dishwasher installation instructions to eliminate installation problems and service repairs.**

A rubber drain hose (7/8" [2.2 cm]) is provided with the dishwasher. The access hole for the drain line should be 1 1/2" (3.8 cm) at a minimum of 24" (61.0 cm) from the floor. If the hose provided is not long enough, extend it with a 7/8" (2.2 cm) copper tube. Do not use any fittings anywhere in the drain line that are less than 7/8" (2.2 cm) ID. If the drain is going to be connected to a food waste disposer, be sure to remove the knockout or plug from the fitting on the disposer before connecting the drain line. The dishwasher must not be connected to a check valve.

**Note:** The end of the drain hose is 1/2" (1.3 cm) but is adjustable to 7/8", 3/4", or 5/8" (2.2 cm, 1.9 cm, or 1.6 cm). If the drain connection is larger than 1/2" (1.3 cm), the drain hose can easily be cut to fit the connection.

Different ways to connect the drain line:

- Typical drain connections to sink plumbing before trap (high loop drain).
- Connection to an air gap, then to the trap.
- Connection to a waste disposer with the air gap.



**CAUTION:** Failure to provide either the proper drain connection height (24" [61.0 cm] above floor level) or a 24" (61.0 cm) high loop will result in improper draining of the dishwasher, which will cause damage to the dishwasher.

**NOTE:** The drainage hose can be extended to a maximum length of 10 ft. (3 meters). Joints and jointed tubes, if any, must have an ID of at least 7/8" (2.2 cm). No part of the drain hose must have a position higher than 35" (88.0 cm) above the floor. The hose must not be drawn straight to a floor well or equivalent. The hose might then function as a siphon-emptying the dishwasher. When the installation is ready, open the supply valve and let the pressure become equalized. Then check that all connections are tight and there are no leaks. The drain hose is attached to the drain pump and fastened to the back of the unit. The drain hose is fastened at the best high loop height with a plastic zip tie. **To eliminate potential drain problems, simply leave this hose attached to the back of the unit.**



## *Viking Preferred Service*

Viking Range Corporation • 5601 Viking Road-CR525 • Greenwood, Mississippi (MS) • 38930 • (662) 451-4133 • Fax: (662) 451-4386

### **Service Bulletin**

No: 2001-37

Date: 8/30/01

**Models:** DFUD140 Dishwasher with Full Overlay Door Panel

**Re:** Installation Hardware for Full Overlay Dishwashers

The hardware kit contains the items needed to install the full overlay wood panels on the DFUD140 dishwasher.

The assembly number is G5007441 and contains the following items:

<b>Part Number</b>	<b>Description</b>	<b>Qty</b>
PD100072	1½" Phil. Head Screw	4
PD100073	1" Phil. Head Screw	2
PD110028	Adhesive Black Grommet	4
PD100074	Steam Blocking Strip	1

Please communicate this to all personnel within your organization.

## Service Bulletin



6/23/2003

No: 2003-01S

Re: Dishwashers, water in lower tank of dishwasher

Models affected: VUD141, DFUD140 and VUD040

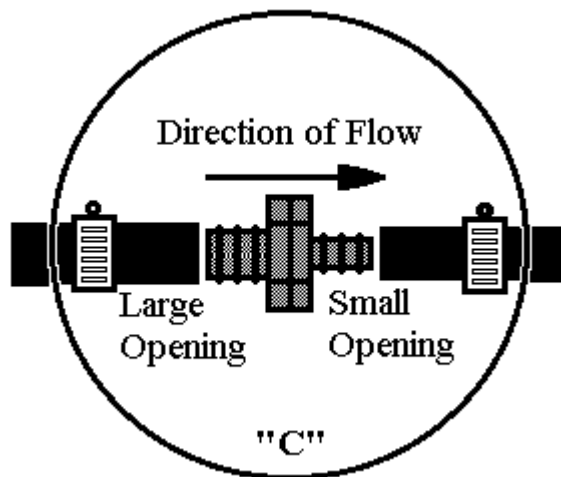
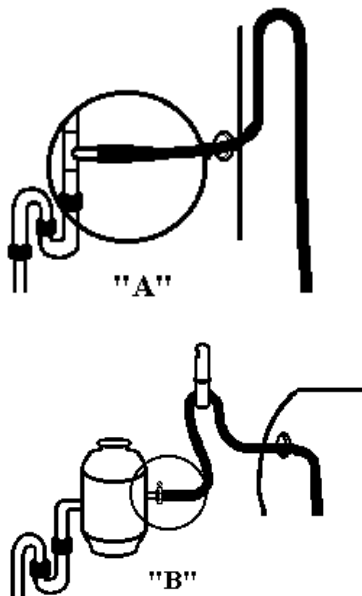
To eliminate the water from back-flushing into the dishwasher from the drain hose attached to the plumbing beneath the sink, the "Check Valve Kit" will need to be installed.

**The "Check Valve Kit" number is PD140027. The kit consists of:**

QTY	DESCRIPTION
1	CHECK VALVE
1	HOSE
2	CLAMPS

All units ending in serial number 8541444 and higher will have a factory installed check valve. **DO NOT INSTALL A SECOND CHECK VALVE.**

Locate the drain hose connection attached to the plumbing (A) or to a waste disposer (B) beneath the sink. Cut the drain hose to install the check valve. **NOTE THE DIRECTION OF WATER FLOW.** Install the check valve using the clamps provided. Secure the check valve (C) and check for water leaks.



## **SerBul H VENTILATION**

Service Bulletin #99-04 (Ventilation Systems)

Service Bulletin #99-04 (VWH6648/VWH6678/VIH6608 Cutout Dimension)

Service Bulletin #99-09 (18" H./24"/27" Hood Recommendation)

Service Bulletin #99-10 (VIPR Downdraft-Intake/Plenum)

Service Bulletin #99-12P (VWH Range Hood – Return Part)

Service Bulletin #99-13P (VIPR Electrical PC Board—Recall)

Service Bulletin #2000-1 (VWH3010 Filter Removal)

Service Bulletin #2001-02 (VWH3010/VWH3610-Filter Clips)

Service Bulletin #2001-38 (VIPR Downdraft-No Serial Plate)

Service Bulletin #2001-42 (DCWL5144/DCWH4844-Power Cord)

Service Bulletin #2001-43 (VIPR101/161/181 Plastic Filter Tabs Melting)

Service Bulletin #2002-03 (DEV900/DEV1200 – Fan Operates High Speed Only)

Service Bulletin #2002-11 (VWH3648/3678/4248/4278 Filter Spacers)

Service Bulletin #2002-20 (VWH3010/3610 New Logos)

Service Bulletin #2003 – 03S (Fan Speed Control #PE050033)

# Service Bulletin

No: 98-04

Date: 1/02/98

## VENTILATION SYSTEMS

Viking Range Corporation is continuously striving for outstanding product performance and total consumer satisfaction. These goals are jeopardized when products are installed in an inappropriate application and performance does not meet consumer expectations. To avoid any decline in consumer satisfaction as a result of this situation, it is important to ensure that all Viking products are used in appropriate applications. This especially applies to the Viking downdraft ventilation system.

The powerful high performance Viking gas char-grill can result in situations where the downdraft will not properly vent the smoke and odors from the char-grill. The installation of a downdraft with a char-grill is considered an improper installation. Therefore, any costs resulting from such an installation would be the responsibility of the distributor, dealer, or installer as applicable.

Please inform all applicable personnel in your organization, that downdrafts should NOT be installed with surface cooking units that include a grill. Viking Range Corporation does not warrant the performance of the downdraft when installed with any surface cooking units that include a grill. The warranty for downdraft ventilation will be changed to reflect this statement and a similar statement will be included in the installation instructions. This will further support the following previous communication from Viking on this subject: The Oct. 10, 1995, Bulletin on ventilation recommendations which clearly states that overhead ventilation is recommended for use with surface cooking units that contain a grill; the caution label on downdraft unit cartons; and the corrected ventilation brochure (F1271MB, M497) indicating downdrafts units should not be used with char-grill units.

One other area should be addressed concerning Viking downdraft ventilation. Viking downdrafts work very well with Viking surface units with surface burners and griddles under normal operating conditions. The performance of Viking downdrafts with other brands has not been tested and is not recommended. Please also communicate this information to the field as well.

Everything possible must be done to work together to ensure consumer satisfaction is not compromised because of improper application of the downdraft ventilation system. The cooperation of all dealers, builders, designers, architects and service agencies in assuring that this important information is thoroughly addressed will be greatly appreciated.

## Service Bulletin

No: 99-04

Date: 7/01/99

### VWH6648\VWH6678\VIH6608 CUTOOT DIMENSION-REVISION

A mistake has been found in the VWH6648\VWH6678\VIH6608 66" island hood installation instructions. The current instructions state the distance to center "B" page 13 and "D" page 15 as 39 15/16"-this is INCORRECT. **THE CORRECT MEASUREMENT FOR "B" PAGE 13 AND "D" PAGE 15 IS 32 15/16"**.

Please copy all necessary personnel - installers, customer service reps., etc.

## **Service Bulletin**

### **“WARNING”**

No: 99-09

Date: 10/25/99

#### **Model Number**

Viking 18” H. \24”\27” D. Ventilation

#### **HOOD RECOMMENDATION**

Viking Range Corporation highly recommends the use of a 1200 CFM ventilator kit (VIV1200 or VEV1200) for all 36” and 42” wide hoods that are installed over ranges or rangetops that have a gas grill, i.e. VGIC365-4Q. New tests on “production hoods”(not prototypes) proved this installation provides better performance when the hood is installed over a range/rangetop that has a powerful 18,000 BTU Viking gas grill.

Please make sure all distributor and dealer sales representatives are advised of this very important installation requirement.

## **Service Bulletin**

No: 99-10

Date: 10/25/99

### **Model Number**

VIPR REAR DOWNDRAFT

### **INTAKEPLENUM**

**Primary complaint:** Power to unit intermittently lost when turning off blower with vent in the up position.

### **Correction**

Replace the PCB control to eliminate the intermittent loss of power to unit with the intake plenum in the up position.

Our vendors has provided an improvement to the PCB by optimizing the capacitor (150mf instead of 100mf) and by addition of a resistor to the PCB control in order to completely suppress a random noise coming from the motor relay.

### **Parts**

Part number PD210002 (PCB) control board can be ordered from the local parts distributor.

### **Parts Return**

**All defective PD210002 (PCB) control boards must be returned to the parts distributor for credit.**

## **Parts Bulletin**

No: 9912P

Date: 11/29/99

### **Model Number**

VWH – Rangehood

### **Return Part**

Viking Preferred Service is requesting all PE050033 Light Motor Controllers to be returned to Viking Range Corporation for inspection to receive credit.

Please return to the following address:

Viking Preferred Service  
Attn: Service  
5601 County Road #525  
Greenwood, MS 38930

**Switch must be returned to receive credit until further notice.**



## **Parts Bulletin**

No: 9913P

Date: 12/03/99

### **Model Number**

VIPR – Downdraft

### **Part Number**

PD210002 Electrical PC Board

### **Parts Recall**

Viking Preferred Service is requesting return of all current inventories on part number PD210002 Electric PC Boards.

### **Please remove all stock from inventory and return immediately for credit to:**

Viking Preferred Service  
Attn: Parts Return  
5601 County Road #525  
Greenwood, MS 38930

### **New Replacement Electronic PC Boards**

Please issue a purchase order for 10 each of the PD210002 Electric PC Boards for stock upon receipt of this parts bulletin.

## **Service Bulletin**

No: 2000-1

Date: 01/17/00

### **Model Number**

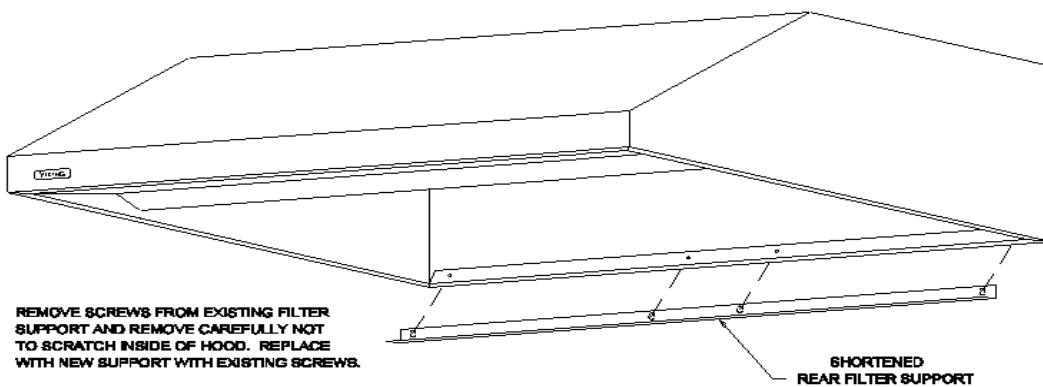
VWH3010\3610 Ventilation

### **Filter Removal**

**Primary complaint:** Filters are difficult to remove from hood on VWH3010\3610 hoods manufactured before serial number H010000428.

### **Correction**

Replace filters and rear filter support with new size replacement filters (Qty-2) and rear filter support.



**VWH3010/3610  
FILTER FIT REPAIR**

### **New Replacement Filters and Rear Filter Support**

B2005024 Rear Filter Support (VWH3010)

B2005025 Rear Filter Support (VWH3610)

G3105023 Filter (VWH3010/3610)

Replacement parts can be ordered from local parts distributors.



VIKING RANGE CORPORATION®

## Parts Bulletin

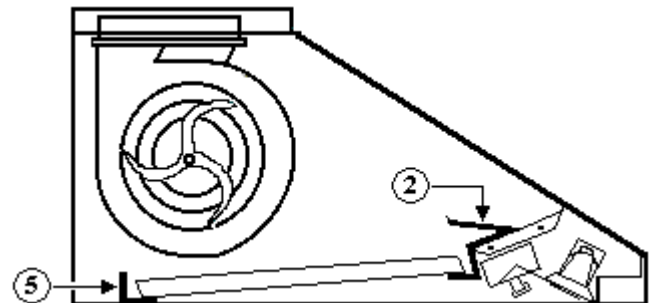
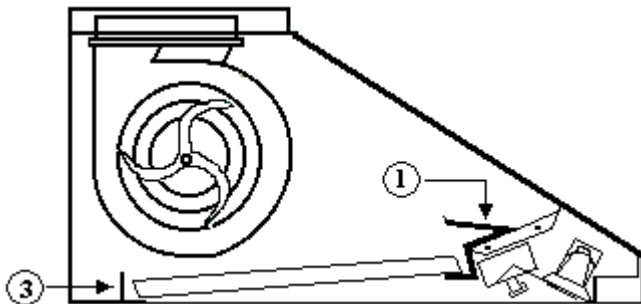
NO: 2001-02

Date: 1/16/01

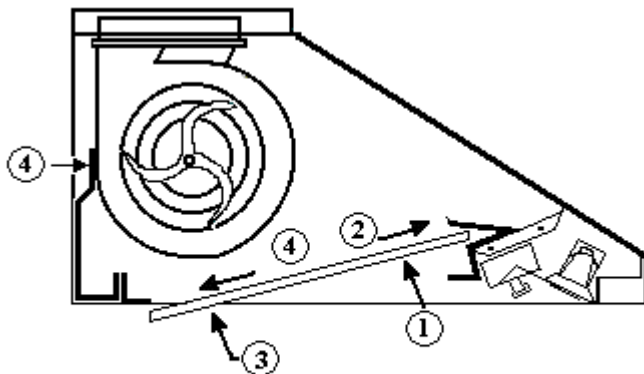
MODEL NUMBER: VWH3010/VWH3610

EFFECTIVE PRIOR TO SERIAL #H02160103041

### INSTRUCTIONS FOR REPLACING LD FILTER CLIPS WITH NEWLY DESIGNED CLIPS



1. REMOVE EXISTING WIRE CHANNEL BRACKET
2. REPLACE WITH NEW WIRE CHANNEL BRACKET (SUPPLIED)
3. REMOVE EXISTING REAR FILTER SUPPORT
4. PLACE MOTOR STAND-OFF BRACKET (SUPPLIED) MAKING SURE HOLES ARE ALIGNED. (1/S HOLES FOR 3010, O/S HOLES FOR 3610)
5. REPLACE WITH NEW REAR FILTER SUPPORT (SUPPLIED)



#### G3203142 FILTER SUPPORT ASSEMBLY-VWH3010

B2006286 BLOWER SPACER  
B2006287 REAR FILTER SUPPORT  
B2006289 WIRE CHANNEL BRACKET

#### G3203143 FILTER SUPPORT ASSEMBLY-VWH3610

B2006286 BLOWER SPACER  
B2006288 REAR FILTER SUPPORT  
B2006289 WIRE CHANNEL BRACKET

TO REPLACE FILTER PUSH FRONT OF FILTER UP (1)  
AND FORWARD (2) PUSH REAR OF FILTER UP(3)  
AND SLIDE BACK (4) ONTO REAR FILTER SUPPORT.

Post Office Drawer 956 • 111 Front Street • Greenwood, Mississippi 38930 USA • Telephone (662) 455-1200 • FAX (662) 453-7939

website: <http://www.vikingrange.com>.

*Viking Preferred Service*

Viking Range Corporation • 5601 Viking Road-CR525 • Greenwood, Mississippi (MS) • 38930 • (662) 451-4133 • Fax: (662) 451-4386

**Service Bulletin**

No: 2001-38

Date: 9/27/01

**Re:** Serial numbers on downdrafts

**Models:** VIPR101/VIPR101R, VIPR161/VIPR161R, VIPR181/VIPR181R

Please note that the new VIPR/101/161/181 downdrafts products do not have serial numbers.

Please submit warranty claims in the standard format without a serial number. Claims will be processed and paid without a serial number.

Please communicate this to all personnel within your organization.

*Viking Preferred Service*

Viking Range Corporation • 5601 Viking Road-CR525 • Greenwood, Mississippi (MS) • 38930 • (662) 451-4133 • Fax: (662) 451-4386

**Service Bulletin**

No: 2001-42

Date: 10/15/01

**Re:** Longer power cord

**Models:** DCWL5144 and DCWH4844

**Complaint:** Power cord from interior blower to hood is too short.

**Correction:** Use replacement power cord.

The replacement power cord will keep the same part number (PE070205) and will be a running production change. All DCWL5144 hoods with a serial number after H09210118727 and DCWH hoods with a serial number after H09280119345 will be equipped with the longer power cord. All orders placed for the PE070205 power cord will automatically receive the longer cord too.

Please communicate this to all personnel in your organization.

## *Viking Preferred Service*

Viking Range Corporation • 5601 Viking Road-CR525 • Greenwood, Mississippi (MS) • 38930 • (662) 451-4133 • Fax: (662) 451-4386

### **Service Bulletin**

No: 2001-43

Date: 12/04/01

**Re:** Replacement Filters with Metal Tabs

**Models:** VIPR101, VIPR161, VIPR181

**Complaint:** Plastic Filter tabs melting

**Correction:** Replace filter assembly with plastic tab with new filter assembly with metal tab.

<b>New Part Number</b>	<b>Description</b>	<b>Replaces</b>	<b>Old Part Number</b>	<b>Model</b>
PV300185	Filter Assy.	Replaces	PV300112	VIPR101
PV300186	Filter Assy.	Replaces	PV300113	VIPR161
PV300187	Filter Assy.	Replaces	PV300114	VIPR181

Please communicate this to all personnel in your organization.



*Viking Preferred Service*

Viking Range Corporation • 5601 Viking Road-CR525 • Greenwood, Mississippi (MS) • 38930 • (662) 451-4133 • Fax: (662) 451-4386

**Service Bulletin**

**No:** 2002-11

**Date:** 6/27/02

**Re:** New Filter Spacer

**Models:** VWH 3648/3678/4248/4278

**Complaint:** Filters are lifting when unit is in use.

**Correction:** Replace filter spacers with new B2008134 filter spacers.

Old Filter Spacer		New Filter Spacer
B2003864 Filter Spacer	Sub	B2008134 Filter Spacer

VWH3648/3678 require one B2008134 filter spacer.

VWH4248/4278 require two B2008134 filter spacers.

The new service replacement filter spacers will automatically replace the original equipment filter spacer when ordered from your parts distributor.

Please communicate this to all personnel in your organization.



*Viking Preferred Service*

Viking Range Corporation • 5601 Viking Road-CR525 • Greenwood, Mississippi (MS) • 38930 • (662) 451-4133 • Fax: (662) 451-4386

**Service Bulletin**

**No:** 2002-20

**Date:** 06/27/02

**Models:** VWH3010/3610

**Re:** New logos for consistent look

Effective immediately, all Professional Series 10" high wall hoods will be produced with a die cast name plate instead of the previously used "dome" version. This change ensures a consistent family/brand look across the entire Professional Series hood line.

The original "dome" logos will still be available for service needs as they arise. The serial number breaks for this change are as follows:

VWH3010 – H05100209198

VWH3610 – H05100209256

Below are the new logo part numbers for hoods with the **Viking logo**:

PE010142 Logo – Black / Chrome  
PE010143 Logo – Black / Brass  
PE010144 Logo – White / Chrome  
PE010145 Logo – White / Brass

Below are the new logo part numbers for hoods with the **Ultraline logo**:

PE010151 Logo – Black / Chrome  
PE010152 Logo – Black / Brass  
PE010153 Logo – White / Chrome  
PE010154 Logo – White / Brass

Please communicate this to all applicable personnel within your organization.

## Viking Preferred Service

Viking Range Corporation • 5601 Viking Road-CR525 • Greenwood, Mississippi (MS) • 38930 • (662) 451-4133 • Fax: (662) 451-4386

### Service Bulletin

No: 2003-03S

Date: 1/25/03

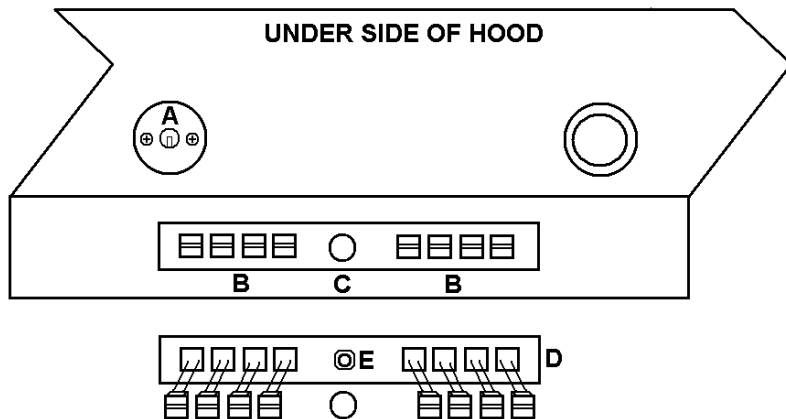
Fan Speed Control: (Part number: PE050033)

**Complaint: Fan will not start with the control in the low position.**

**Models: VWH/VIH Vent Hoods**

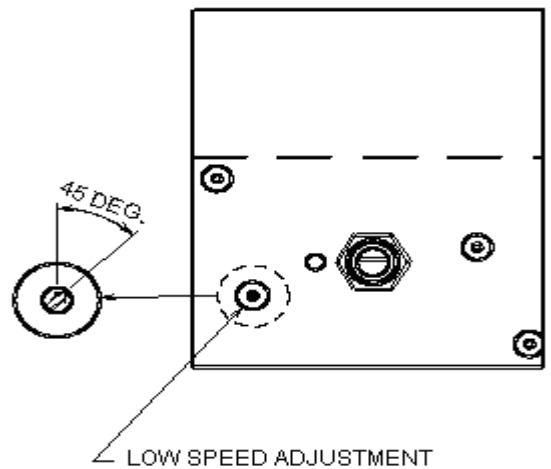
#### Correction:

- 1) Disconnect the power to the hood.
- 2) Remove the filters.
- 3) Remove the heat lamp
- 4) Remove the heat lamp cowling to access inside the control panel. (A)
- 5) Remove the control switches from the control panel. (B)
- 6) Remove the speed control knob. ©
- 7) Lower the control panel (D) to gain access the speed control-mounting nut. (E)
- 8) Remove the speed control from the control panel. Once removed, follow the instructions below.



1. Turn Arrow CLOCKWISE to INCREASE voltage to 58VAC on low speed setting.
2. FACTORY SETTING is 58VOLTS ( $\pm 3$  VOLTS) or ARROW POINTING TO 45° CLOCKWISE ROM THE 12 O'CLOCK POSITION. BLOWER MUST BE PLUGGED IN AND RUNNING WHEN VOLTAGE IS MEASURED.

Please communicate this information to all applicable personnel within your organization.



## **SerBul I REFRIGERATION**

Service Bulletin # 2001-04P (VCBB360/362-VCSB481/482 Part # Change)  
Service Bulletin #2001-06P (Return Defective Evaporator Fan Motor)  
Service Bulletin #2001-9 (VUAR140L/VUAR140R-Outside Door Panel Change)  
Service Bulletin #2001-13 (VRBD140/VUBD140 Power Cord Rework)  
Service Bulletin #2001-14 (VCBB362/VCSB482-Hinge Screw)  
Service Bulletin #2001-16 (VUIM150 Incorrect Handle Screws)  
Service Bulletin #2001-18 (VCSB482/DDSB482.DTSB482.DFSB482 Door Alignment)  
Service Bulletin #2001-23 (VCBB/DDBB.DTBB/DFBB Freezer Basket Repair)  
Service Bulletin #2001-27 (VCBB/DDBB.DTBB/DFBB Freezer Basket Repair)  
Service Bulletin #2001-28 (New Evaporator Fan Assembly)  
Service Bulletin #2001-30 (Replacement Top Grills for Refrigerators)  
Service Bulletin #2001-32 (New Electronic Solid State AC Control)  
Service Bulletin #2001-34 (VCBB362L&R/VCSB482 Door Panel Spacer Blocks)  
Service Bulletin #2001-36 (Installation Hardware for Full Overlay Door Panels)  
Service Bulletin #2001-39 (Replacement Refrigerator Door Gaskets)  
Service Bulletin #2002-01 (New Deli Top for 362 Bottom Mounts)  
Service Bulletin #2002-02 (Replacement Door Gasket for VCSB360/420/480)  
Service Bulletin #2002-13 (VCBB363/VCSB483 Rating Plate Refrigerant Change)  
Service Bulletin #2002-14 (VUIM Parts Book Correction)  
Service Bulletin #2002-15 (DDBB363/DDSB483 Door Skin Bowing Correction)  
Service Bulletin #2002-16 (New Deli Top for Refrigerators)  
Service Bulletin #2002-17 (New Bale Arm for Icemakers)  
Service Bulletin #2002-21 (Part # Sub for SS Ref./Freezer. Door Panels)  
Service Bulletin #2002-23 (Icemaker Molex Connection)  
Service Bulletin #2002-25 (Ref and Freezer Light Overheat)  
Service Bulletin #2002-26 (VUWC/VUAR150 Part Number Change)  
Service Bulletin #2002-28 (New Axle Kit for Refrigerator/freezers)  
Service Bulletin #2002-30 (DDBB362 Refrigerator/Freezer Parts Book Correction)  
Service Bulletin #2002-32 (VUIM Parts Book Correction)  
Service Bulletin #2003-2S ( Ice Maker Bin Switch)  
Service Bulletin #2003-2P (Obsolete Control Board)  
Service Bulletin #2003-4S (Bottom Mount Deli Control Service Kit #G5099024)  
Service Bulletin #2003-5S (PE970345 Controller Kit)  
Service Bulletin #2003-7S (Condensation 362/363/482/483)  
Service Bulletin #2003-8S (Deli-Drawer Kit G5099284)  
Service Bulletin #2003-9S (363BM/423SXS/483SXS Condensation)  
Service Bulletin #2003-10S (Mullion Heater Hook-up)  
Service Bulletin #2003-10S [2] (Mullion Heater Hook-up)  
Service Bulletin #2003-02P (Obsolete Control Board)  
Service Bulletin #2003-F90208 (Low Voltage Check)  
Service Bulletin #2003-F90583 (SxS Deli Control Instruction Sheet)  
Service Bulletin #2003-F90712 (Controller Service Kit G5099919)

## *Viking Preferred Service*

Viking Range Corporation • 5601 Viking Road-CR525 • Greenwood, Mississippi (MS) • 38930 • (662) 451-4133 • Fax: (662) 451-4386

### **Service Bulletin**

No: 2001-04P

Date: 02/27/2001

#### **Model Number**

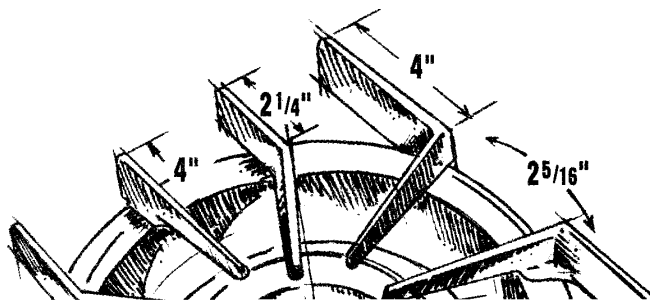
VCBB360/362 VCSB481/482

#### **Part Number Changes**

Viking Refrigeration has completed the part numbering change from PR2 numbers to current manufacturing numbers as listed on attached file.

Please load attached file to reflect changes in your inventory system.

Please change all current inventory to the new SUB NUMBER.



**VIKING**  
Professional Performance for the Home

## *Viking Preferred Service*

Viking Range Corporation • 5601 Viking Road-CR525 • Greenwood, Mississippi (MS) • 38930 • (662) 451-4133 • Fax: (662) 451-4386

### **Parts Bulletin**

No: 2001-06P

Date: 02/28/2001

#### **Request for return of defective evaporator fan motor**

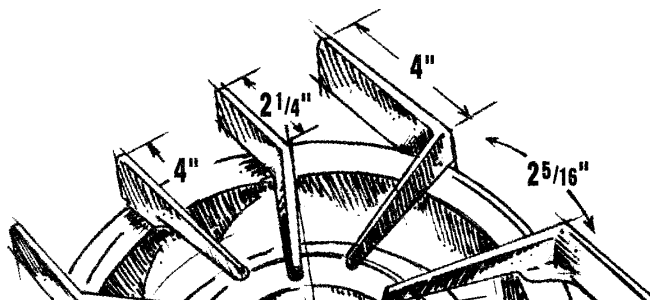
G5096492 Evaporator fan motor assembly  
V10654207 Evaporator fan motor  
V10654206 Evaporator fan motor

#### **Return Part**

Viking Preferred Service is requesting return of defective evaporator fan motors to Viking Range Corporation for inspection. Please include a copy of warranty claim with returned part listing model and serial number.

Please return to the following address:

Viking Preferred Service  
Attn: Service Department  
5601 Viking Road #525  
Greenwood, MS 38930



**VIKING**  
Professional Performance for the Home

## Viking Preferred Service

Viking Range Corporation • 5601 Viking Road-CR525 • Greenwood, Mississippi (MS) • 38930 • (662) 451-4133 • Fax: (662) 451-4386

### Service Bulletin

No: 2001-9

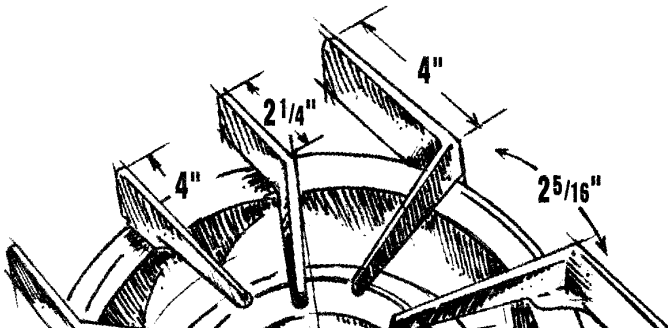
Date: 3/16/01

**Models:** VUAR 140L & VUAR 140R

**Action Taken:** The part number for the outside door skin for the VUAR 140 (left swing and right swing) has been changed. Please see the sub list below. The attached file is a new copy of the page that has had the changes made. Please discard your existing page and replace it with the attached file.

B2004896	Sub B2004884
B2004895	Sub B2004884
B2004899	Sub B2004884
C9005406	Sub C9004884*
C9005407	Sub C9004884*

\* Add color designation



**VIRING**  
Professional Performance for the Home

## *Viking Preferred Service*

Viking Range Corporation • 5601 Viking Road-CR525 • Greenwood, Mississippi (MS) • 38930 • (662) 451-4133 • Fax: (662) 451-4386

### Service Bulletin

No: 2001-13

Date: 5/14/01

### Models

VRBD140/VUBD140

### Power Cord Rework Procedure

Tools Required:     Phillips Screwdriver  
                          5/16" Nut Driver  
                          Wire Diagonal Cutter

- 1.) Put carton in workable area.
- 2.) Cut bottom metal carton band with diagonal cutters and dispose of band.
- 3.) Gently lift carton tube up and off of bottom carton pad. Be sure and fold bottom carton pad flaps back to allow carton tube to be lifted off.
- 4.) Set carton tube aside, keeping all Styrofoam carton pads for reuse later. Make note of where the Styrofoam pads are placed on the unit.
- 5.) Using a Phillips head screwdriver, remove the two screws holding the front grille to the cabinet. Set aside for re-assembly later.
- 6.) Using the Phillips head screwdriver, remove the two screws holding the thermostat to the cabinet-mounting bracket and allow the thermostat to rest on metal bottom of refrigerator.
- 7.) Remove black and red thermostat wires from plastic wire clamp mounted to the top of the bottom from the interior section of the refrigerator. This will give the wires slack for pulling wires to the back of the unit.
- 8.) Using a 5/16" nut driver, remove all screws from the back panel of the unit and set aside for re-assembly.
- 9.) Gently pull the black and red wires connected to thermostat from the back of the unit until heat shrink is accessible for review and testing (Do not disconnect wires from thermostat).
- 10.) Look to see if heat shrink tubing completely covers the metal wire splice on the black wire. If heat shrink tubing covers the metal wire splice, gently grab the

black wire ahead of the tubing towards the front of cabinet with one hand and with the other hand gently, but snugly pull on the heat shrink tube to see if it holds in place.

- 11.) If the heat shrink covers metal wire splice and tubing can not be pulled loose, everything is ok and no further work is needed to secure tubing. Proceed to step (13).
- 12.) Use a heat gun to secure heat shrink tubing to wire. Snugly pull on heat shrink tubing to see if it holds in place. If heat shrink-wrap holds then no further repairs are necessary.
- 13.) Gently push the black and red thermostat wiring back towards the front of the cabinet and route them away from the mechanical components.
- 14.) Route and place the black and red thermostat wiring back into the plastic wire clamp mounted on the ceiling of the bottom interior section of the refrigerator.
- 15.) Reassemble the thermostat to the cabinet.
- 16.) Reassemble the grille to the cabinet.
- 17.) Reassemble the metal back panel to the cabinet while making sure all wiring is routed and located properly.
- 18.) Press stainless steel countertop down in the back of the unit and secure it to the back panel flange with the original screws.
- 19.) Place Styrofoam door support pad under the bottom of the door and on top of the carton bottom pad.
- 20.) Place the Styrofoam corner pads in the proper location of carton tube.
- 21.) Holding the corner pads in place, lift and turn the carton tube over to come down and cover the refrigerator. Make sure the front of the carton is matched up with the front of the refrigerator.
- 22.) Interlock the bottom pad flaps over the carton tube bottom flaps.
- 23.) Secure carton bottom flaps with metal or fiberboard tape.
- 24.) Rework is complete.



## Viking Preferred Service

Viking Range Corporation • 5601 Viking Road-CR525 • Greenwood, Mississippi (MS) • 38930 • (662) 451-4133 • Fax: (662) 451-4386

### Service Bulletin

No: 2001-14

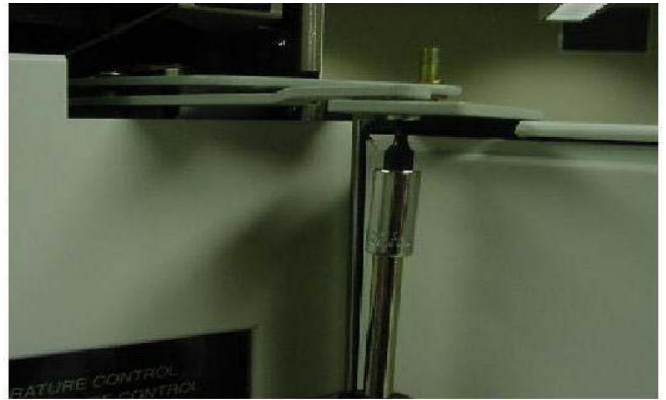
Date: 5/17/01

**RE:** Preventing Hinge Screw from coming loose over time.

**Models:** VCBB 362 and VCSB 482



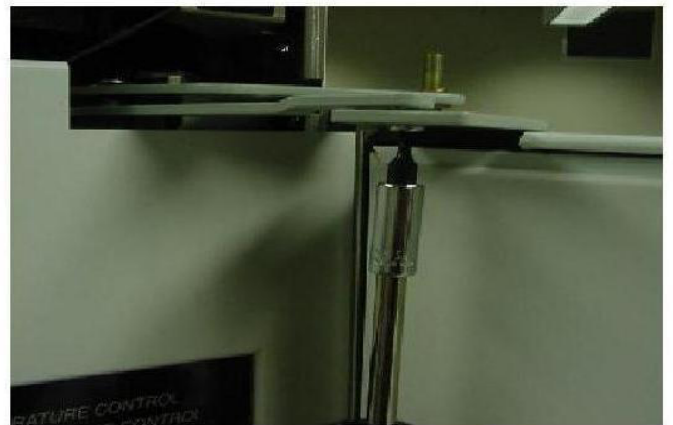
G5007240 Screw Repair Kit



1. Loosen torx (T-15) screw one full turn.



2. Add Loctite (non-hardening) to top of screw.



3. Tighten screw.

Post Office Drawer 956 • 111 Front Street • Greenwood, Mississippi 38930 USA • Telephone (662) 455-1200 • FAX (662) 453-7939

website: <http://www.vikingrange.com>.

*Viking Preferred Service*

Viking Range Corporation • 5601 Viking Road-CR525 • Greenwood, Mississippi (MS) • 38930 • (662) 451-4133 • Fax: (662) 451-4386

**Service Bulletin**

No: 2001-16

Date: 5/23/01

**RE:** Incorrect handle screws packed with product

**Models:** VUIM150 Ice machine

We have discovered some models of the new VUIM150 Ice machine may have the incorrect handle mounting screws packed with the product.

We are shipping screw kits (G5007246) to product distributors to add to each carton. The screw kits are packaged in a labeled envelope (handle screws enclosed). Please tape one envelope to each carton in inventory before shipping.

## Viking Preferred Service

Viking Range Corporation • 5601 Viking Road-CR525 • Greenwood, Mississippi (MS) • 38930 • (662) 451-4133 • Fax: (662) 451-4386

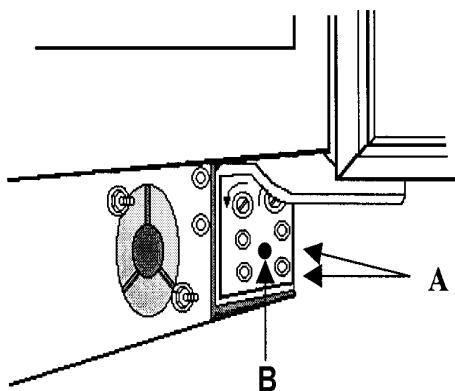
### Service Bulletin

No: 2001-18

Date: 7/10/01

Models: VCSB 482, DDSB 482, DTSB 482, DFSB 482

RE: Door Alignment and Hinge Locking Screw



1. To raise the fresh food door, loosen the (4) bolts (A) on the lower hinge mounting plate.
2. Support the weight of the door while lifting up to align with the other freezer door.  
Note: It may be helpful to use two 6" 2 x 4 blocks as a fulcrum for a 4' 2 x 4 lever to support the door while the adjustment is being performed. After the screws have been loosened, use the lever to raise the door 1/8" higher than the door you are trying to match. After the screws have been tightened the lever can be lowered and the door drops into place.
3. Tighten the (4) bolts.
4. Drill 7/32 hole in center of plate (B). Insert 1 1/4" hinge locking screw (PD920127) and tighten.
5. To adjust the freezer door, repeat steps 1 through 4.

Hinge locking assembly (G5096973) can be ordered through your local parts distributor and contains the following items:

- (2) PD920127 Locking Screw
- (1) F90101 Instruction Bulletin

The hinge locking screws will be added to 48" refrigeration products as a running change beginning in mid-July.

## Viking Preferred Service

Viking Range Corporation • 5601 Viking Road-CR525 • Greenwood, Mississippi (MS) • 38930 • (662) 451-4133 • Fax: (662) 451-4386

### Service Bulletin

No: 2001-23

Date: 6/07/01

**Models: VCBB\DDBB\DTBB\DFBB**

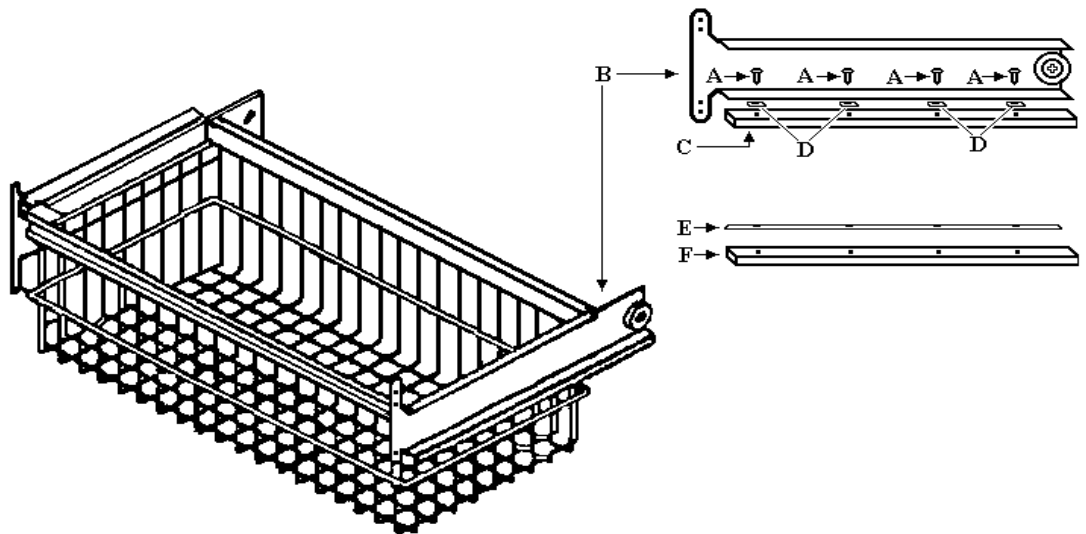
### G5007408 FREEZER BASKET REPAIR KIT

The Kit contains:

(8) PD920125 #8 x 3/8" x 4 x HD Type B screws

(2) PK930042 Glide Spacers (Item #E)

(2) 12189101 Glides (Item #F)



1. Remove freezer drawer from the refrigerator.
2. Remove 4 screws (Item "A")
3. Remove and discard plastic spacers (Item "D")
4. Remove guide rail on left side (Item "C")
5. Insert guide rail spacer [(Item "E")] (PK930042)  
Between guide bottom (Item "F") to basket rail (Item "B")
6. Attach ("F" & "E") to basket (Item "B") with the (8)  
Supplied screws.
7. Repeat steps 2 through 6 for the right side.

## Viking Preferred Service

Viking Range Corporation • 5601 Viking Road-CR525 • Greenwood, Mississippi (MS) • 38930 • (662) 451-4133 • Fax: (662) 451-4386

### Service Bulletin

No: 2001-27

Date: 6/07/01

**Models: VCBB\DDBB\DTBB\DFBB**

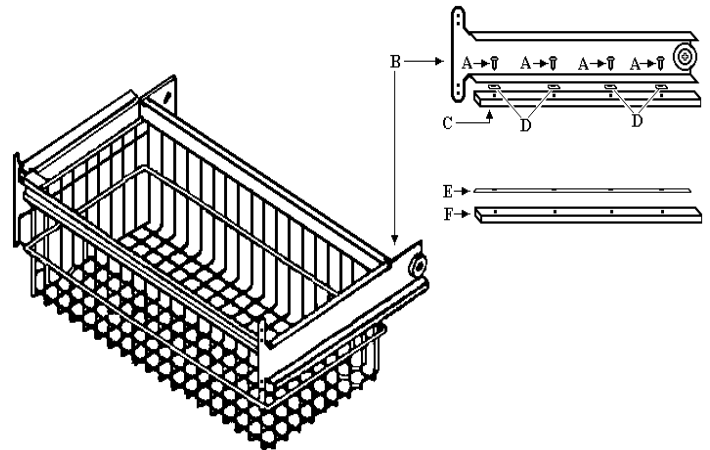
### G5007408 FREEZER BASKET REPAIR KIT

The Kit contains:

- (8) PD920125 #8 x 3/8" x 4 x HD Type B screws
- (2) PK930042 Glide Spacers (Item #E)
- (2) 12189101 Glides (Item #F)

To repair the freezer basket:

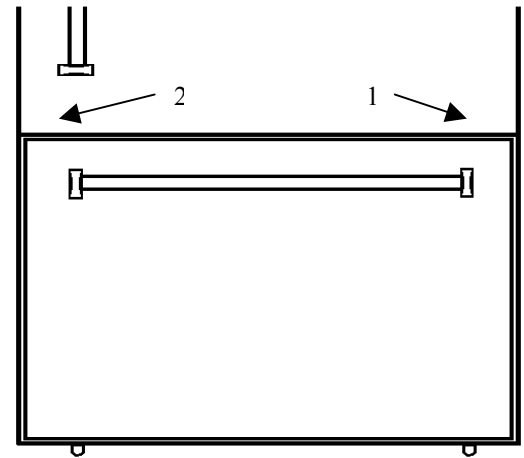
1. Remove freezer drawer from the refrigerator.
2. Remove 4 screws (Item "A")
3. Remove and discard nylon washers (Item "D")
4. Remove guide rail on left side (Item "C")
5. Insert guide rail spacer [(Item "E") (PK930042)]
6. Attach ("F" and "E") to basket (Item "B") with the (8) supplied screws.
7. Repeat steps 2 through 6 for the right side.



To square the freezer drawer door to the refrigerator frame:

1. To move the top of the door to the right, remove the nylon washer (item E) from the right hand guide rail and discard.
2. To move the top of the door to the left, remove the nylon washer (item E) from the left hand guide rail and discard.

1 U  
1.00



*Viking Preferred Service*

Viking Range Corporation • 5601 Viking Road-CR525 • Greenwood, Mississippi (MS) • 38930 • (662) 451-4133 • Fax: (662) 451-4386

**Service Bulletin**

No: 2001-28

Date 7/25/01

**Models: VCSB/DDSB/DTSB/DFSB 482**

**G5096970 EVAPORATOR FAN ASSEMBLY**

This new assembly replaces the following parts and will be automatically substituted for the following parts:

G5096492 – Evaporator Fan Motor Assembly

V10654206 – Motor, ECM Evaporator Fan

## Viking Preferred Service

Viking Range Corporation • 5601 Viking Road-CR525 • Greenwood, Mississippi (MS) • 38930 • (662) 451-4133 • Fax: (662) 451-4386

### Service Bulletin

No: 2001-30

Date: 7/25/01

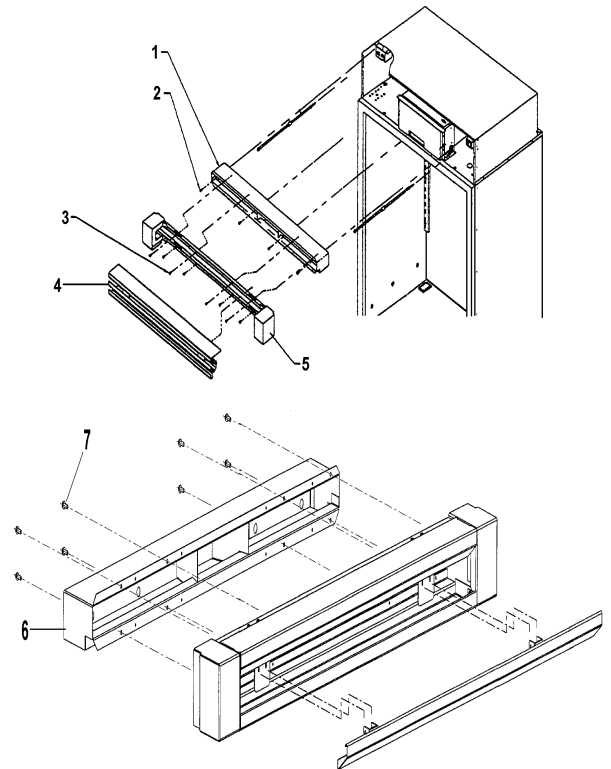
**RE:** Replacement top grill for refrigerators

**Models:** VCBB362L, VCBB362R, VCSB 482, 72" Stainless Steel Top Grill Kit

We have received complaints that the top grill is difficult to install on refrigerators after the unit has been installed. Viking now offers replacement top grills for improved installation. The part numbers for these replacement grills are as follows and will be used in production beginning August 1, 2001:

VCBB362L	G3296944	Grille Assembly (LH)
VCBB362R	G3296945	Grille Assembly (RH)
VCSB482	G3296946	Grille Assembly (48" S X S)
72" Btm. Mnt. Mount)	G3296947	Grille Assembly (72" Bottom

1. Remove louver assembly (item 4) by lifting up and raising out.
2. Remove end cap and rail assembly (item 5) from black air plenum (item 1) by removing the eight screws (item 3).
3. Remove black air plenum (item 1) by removing the four screws (item 2).
4. Remove center louver from new grille assembly. (Bottom illustration)
5. Attach black air plenum (item 1) to new grille (item 6) assembly with the eight screws (item 7).
6. Reattach plenum and grille assembly to product with four screws (item 2) in reverse order of removal from black plenum.  
**Note: Start reattachment with utmost left hand screw.**
7. If necessary, realign product in opening, fasten LAG bolts, and install center louver.



*Viking Preferred Service*

Viking Range Corporation • 5601 Viking Road-CR525 • Greenwood, Mississippi (MS) • 38930 • (662) 451-4133 • Fax: (662) 451-4386

**Service Bulletin**

No: 2001-32

Date: 8/17/01

**Models:** VUAR140, VUAR150, VUWC140, VUWC150, VRBD140, VUBD140

**Re:** New electronic solid state AC control (PW240028)

**Complaint:** Ice accumulation on evaporator plate or frozen drinks in unit.

**Solution:** Replace thermostat with solid state AC control (PW240028). The solid state AC control (PW240028) will sub for (PW240019) thermostat and (PW240015) thermostat.

Please be sure that this information is communicated to all applicable personnel within your organization.



## Viking Preferred Service

Viking Range Corporation • 5601 Viking Road-CR525 • Greenwood, Mississippi (MS) • 38930 • (662) 451-4133 • Fax: (662) 451-4386

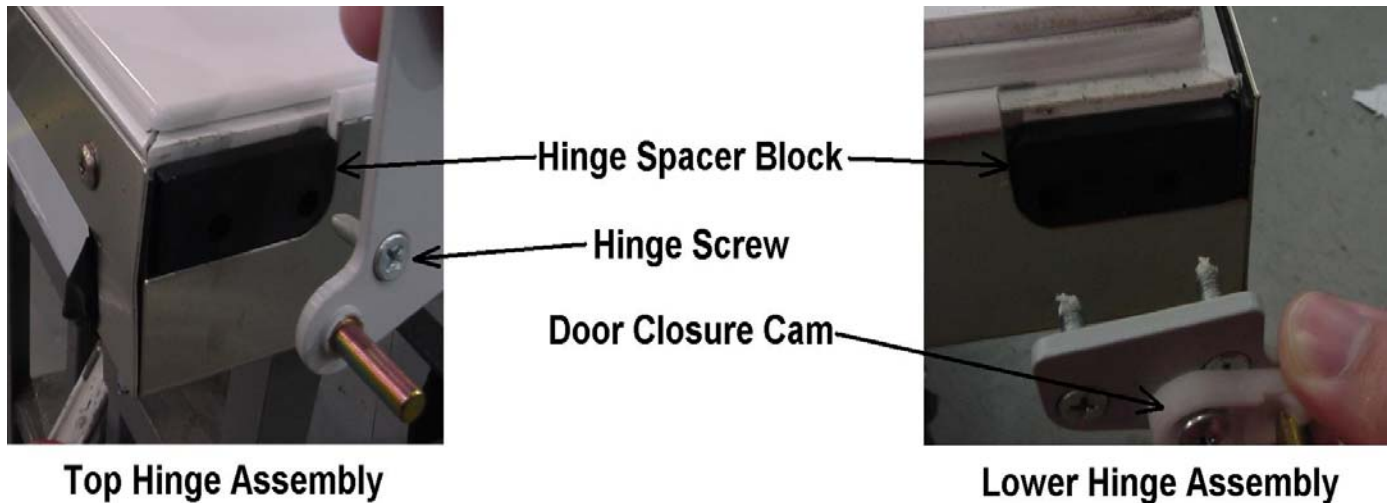
### Service Bulletin

No: 2001-34

Date: 8/28/01

**Subject:** Change in refrigerator door panel spacer blocks.

**Models:** VCBB362L / VCBB362R and VCSB482



**RE: VCBB362L/R 36" W. Bottom Mount Refrigerator/Freezer**

- Handle shortened on current production. (SS Handles Only)
- Hinge spacer block cutout changed to smaller size on upper door panel at top and bottom hinge positions.
- Door panel requires replacement of both upper and lower spacer blocks.

New Assy. Number	Replaces	Old Assy. Number
G5096971* (Bottom Mount, LH)	Replaces	B209/L209/C9096527*
G5096972* (Bottom Mount, RH)	Replaces	B209/L209/C9096528*

The assembly for the VCBB362 Bottom Mount (LH / RH) contains the following items (SS models only):

Item	Qty
Door Skin	1
Door Handle** (SS Handle Only)	1
Brace, Refrigerator Door Handle**	1
Capped Washer Pal Nut**	2
Hinge Spacer	2
Installation Instructions	1

**RE: Model VCSB482 48" W. Side by Side Refrigerator/Freezer**

<b>New Assy. Number</b>	<b>Replaces</b>	<b>Old Assy. Number</b>
G5097512* (S X S, Ref. Door)	Replaces	B209/L209/C9096409*
G5097513* (S X S, Frz. Door)	Replaces	B209/L209/C9096410*

- Hinge spacer cutouts changed to accommodate smaller spacers.
- Replacement of either fresh food or freezer doors requires installation of new upper and lower spacer blocks.

The assembly for the VCSB 482 contains the following items"

<b>Item</b>	<b>Qty</b>
Door Skin	1
Hinge Spacer	2
Capped Washer for Pal Nut	2
Installation Instructions	1

New door panel assemblies will automatically replace the original door panel when ordered from your parts distributor.

Please communicate this to all personnel within your organization.

**\*AL,BK,BT,BU,CB,EP,FG,GG,LE,MJ,SG,SS,VB,WH**

**\*\* Kit includes new handle for current production models.**

*Viking Preferred Service*

Viking Range Corporation • 5601 Viking Road-CR525 • Greenwood, Mississippi (MS) • 38930 • (662) 451-4133 • Fax: (662) 451-4386

**Service Bulletin**

No: 2001-36

Date: 8/30/01

**Models:** DFSB482 and DFBB362R/L

**Re:** Installation hardware and brackets for full overlay door panels

These assemblies contain the brackets and screws used to mount wood overlay panels on designer series refrigerators. Part numbers for the assemblies are listed below:

G5097514 – Installation hardware for the DFSB482

G5097515 – Installation hardware for the DFBB362L/R

Please communicate this to all personnel within your organization.

## *Viking Preferred Service*

Viking Range Corporation • 5601 Viking Road-CR525 • Greenwood, Mississippi (MS) • 38930 • (662) 451-4133 • Fax: (662) 451-4386

### **Service Bulletin**

No: 2001-39

Date: 10/15/01

**Re:** Replacement Door Gasket for improved door seal

**Models:** All 48" W. Side by Side Refrigerator/Freezers and 36" W. Bottom Mount Refrigerator/Freezers

**Complaint:** Door is not closing and sealing.

**Correction:** Replace door gasket with new improved door gasket.

### **VCSB482/DDSB482/DTSB482/DFSB482**

<b>New Part Number</b>	<b>Replaces</b>	<b>Old Part Number</b>	<b>Description</b>
PB0970122	Replaces	V10933003	Refrigerator Door Gasket
PB0970123	Replaces	V10933004	Freezer Door Gasket

### **VCBB362/DDBB362/DTBB362/DFBB362**

<b>New Part Number</b>	<b>Replaces</b>	<b>Old Part Number</b>	<b>Description</b>
PB970120	Replaces	V10933001	Refrigerator Door Gasket
PB970121	Replaces	V10933002	Freezer Door Gasket

The new replacement gaskets will automatically replace the original equipment gaskets when ordered from your parts distributor.

Please communicate this to all personnel in your organization.

*Viking Preferred Service*

Viking Range Corporation • 5601 Viking Road-CR525 • Greenwood, Mississippi (MS) • 38930 • (662) 451-4133 • Fax: (662) 451-4386

**Service Bulletin**

No: 2002-01

Date: 1/10/02

**Models:** VCBB362L/R, DDBB362L/R, DTBB362L/R, and DFBB362L/R

**Complaint:** Deli drawer is hitting the deli top when opened and closed

**Correction:** Replace existing deli top with new improved deli top.

<b>New Deli Top</b>	<b>Replaces</b>	<b>Old Deli Top</b>
PK930043	Replaces	V12223303

The new PK930043 deli top is included in production for VCBB363, DDBB363, DTBB363, and DFBB363 refrigeration products.

The new replacement deli top will automatically replace the original equipment deli top when ordered from your parts distributor.

Please communicate this to all personnel in your organization.

## *Viking Preferred Service*

Viking Range Corporation • 5601 Viking Road-CR525 • Greenwood, Mississippi (MS) • 38930 • (662) 451-4133 • Fax: (662) 451-4386

### **Service Bulletin**

No: 2002-02

Date: 01/22/02

**Re:** Replacement Door Gasket for improved door seal

**Models:** VCSB360/420/480 Refrigerator

**Complaint:** Door is not closing and sealing.

**Correction:** Replace door gasket with new improved door gasket.

<b>New Part Number</b>	<b>Description</b>	<b>Model</b>	<b>Old Part Number</b>
PR150082	Fresh Food Gasket	VCSB360	PR150010
PR150082*	Freezer Door Gasket	VCSB480	PR150010
PR150083	Fresh Food Door Gasket	VCSB420	PR150047
PR150084	Fresh Food Door Gasket	VCSB480	PR150048
PR150085	Freezer Door Gasket	VCSB360	PR150011
PR150086	Freezer Door Gasket	VCSB420	PR150049

The new replacement gaskets will automatically replace the original equipment gaskets when ordered from your parts distributor.

\* PR150082 replaces PR150010 fresh food gasket for VCSB360 and freezer door gasket for VCSB480.

Please communicate this to all personnel in your organization.

*Viking Preferred Service*

Viking Range Corporation • 5601 Viking Road-CR525 • Greenwood, Mississippi (MS) • 38930 • (662) 451-4133 • Fax: (662) 451-4386

**Service Bulletin**

**No:** 2002-13

**Date:** 6/27/02

**Re:** Correction to the refrigerant charge on serial rating plate.

**Models:** VCBB363 and VCSB483

The correct refrigerant charge for the VCSB483 is 5.5 oz.

The correct refrigerant charge for the VCBB363 is 4.6 oz.

Please communicate this to all personnel in your organization.

*Viking Preferred Service*

Viking Range Corporation • 5601 Viking Road-CR525 • Greenwood, Mississippi (MS) • 38930 • (662) 451-4133 • Fax: (662) 451-4386

**Service Bulletin**

**No:** 2002-14

**Date:** 6/27/02

**Re:** Parts book correction

**Model:** VUIM150 Ice Machine

The following part numbers were incorrect in the parts book for the above model. Please replace the existing pages with the following pages which contain the corrected information.

<u>Page #</u>	<u>Item #</u>	<u>Incorrect Part #</u>	<u>Correct Part #</u>	<u>Description</u>
4	5	G3096974*	G9096974*	Grille Assy.
11	11	PE010101	PE010058	Black/Chrome Logo
11	11	PE010102	PE010059	White/Chrome Logo

**\*AL,BT,BU,CB,EP,FG,GG,LE,MJ,SG,VB**

Please communicate this to all personnel in your organization.



## *Viking Preferred Service*

Viking Range Corporation • 5601 Viking Road-CR525 • Greenwood, Mississippi (MS) • 38930 • (662) 451-4133 • Fax: (662) 451-4386

### **Service Bulletin**

No: 2002-15

Date: 6/27/02

Re: Door skins bowing after assembly.

Model: DDBB363 Left/Right Hinge, DDSB483

Correction: Door skins have holes added to hinge side to eliminate bowing.

<b><u>Part Number</u></b>	<b><u>Description</u></b>	<b><u>Model Used</u></b>	<b><u>Effective Date</u></b>
B2096937 (SS)	Ref. Door Skin	DDBB363L	3/22/02
C9096937*	Ref. Door Skin	DDBB363L	3/22/02
B2096938 (SS)	Ref. Door Skin	DDBB363R	3/22/02
C9096938*	Ref. Door Skin	DDBB363R	3/22/02
B2096941 (SS)	Frz. Door Skin	DDSB483	3/22/02
C9096941*	Frz. Door Skin	DDSB483	3/22/02
B2096942 (SS)	Ref. Door Skin	DDSB483	3/22/02
C9096942*	Ref. Door Skin	DDSB483	3/22/02

**\*BK,BT,GG,SG,WH**

*Viking Preferred Service*

Viking Range Corporation • 5601 Viking Road-CR525 • Greenwood, Mississippi (MS) • 38930 • (662) 451-4133 • Fax: (662) 451-4386

**Service Bulletin**

**No:** 2002-16

**Date:** 6/27/02

**Models:** VCSB482, DDSB482, DTSB482, and DFSB482

**Complaint:** Deli drawer is hitting the deli top when being opened and closed

**Correction:** Replace the existing deli top with a new, improved deli top.

<b>New Deli Top</b>	<b>Replaces</b>	<b>Old Deli Top</b>
PK930044	Replaces	V12223208

The new PK930044 deli top is being used in the production of the VCSB483, DDSB483, DTSB483, and DFSB483 refrigeration products.

The new replacement deli top will automatically replace the original equipment deli top when ordered from your parts distributor.

Please communicate this to all personnel in your organization.

## *Viking Preferred Service*

Viking Range Corporation • 5601 Viking Road-CR525 • Greenwood, Mississippi (MS) • 38930 • (662) 451-4133 • Fax: (662) 451-4386

### **Service Bulletin**

**No:** 2002-17

**Date:** 6/27/02

**Models:** Designer Series and Professional Series 360/362/363 bottom-mount models.

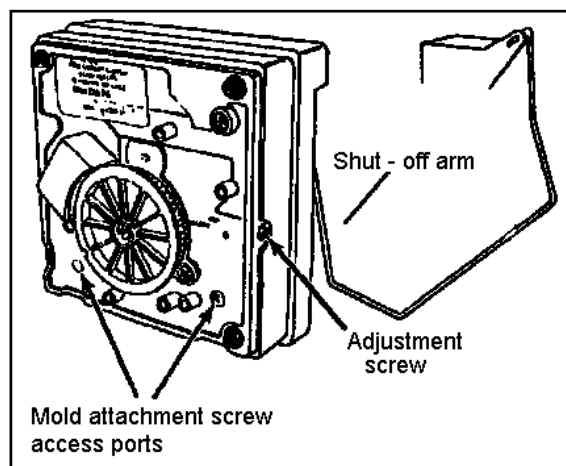
**Complaint:** The bale arm remains in the “up” or “off” position.

**Correction:** Replace the bale arm.

Original Ice Maker Assembly – G5096547  
Original Ice Maker Bale Arm – PM910205

New Ice Maker Assembly – G5097704  
New Ice Maker Bale Arm – PM910220

The original icemaker bale arm, part number PM910205, should be replaced in all instances with the new bale arm, part number PM910220.



Please communicate this to all personnel in your organization.

## *Viking Preferred Service*

Viking Range Corporation • 5601 Viking Road-CR525 • Greenwood, Mississippi (MS) • 38930 • (662) 451-4133 • Fax: (662) 451-4386

### **Service Bulletin**

No: 2002-21

Date: 06/27/02

**Re:** Part number substitutes for stainless steel refrigerator/freezer door panels

**Models:** VCSB360/420/480 Refrigerators

<b>New Part Number</b>	<b>Description</b>	<b>Model</b>	<b>Old Part Number</b>
B2002831	Refrigerator Door Skin	VCSB360	PK010036
B2002830	Freezer Door Skin	VCSB360	PK010035
B2002829	Refrigerator Door Skin	VCSB420	PK010034
B2002828	Freezer Door Skin	VCSB420	PK010033
B2002827	Refrigerator Door Skin	VCSB480	PK010032
B2002826	Freezer Door Skin	VCSB480	PK010031

The new door skins will automatically replace the original equipment door skins when ordered from your parts distributor.

Please communicate this to all applicable personnel within your organization.

## Viking Preferred Service

Viking Range Corporation • 5601 Viking Road-CR525 • Greenwood, Mississippi (MS) • 38930 • (662) 451-4133 • Fax: (662) 451-4386

### Service Bulletin:

No: 2002-23

Date: 5/30/02

Re: Icemaker Molex Connection

Models:

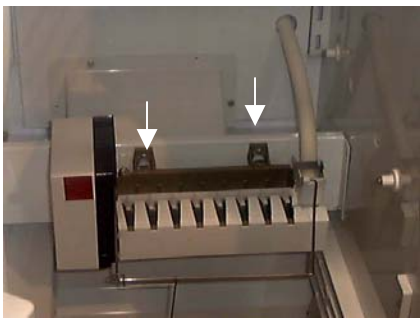
When installing or reinstalling an icemaker, the male plug may have a bent pin in one of the connections causing the pin to push the receptacle from the mating plug.

Correction: Disconnect power to the refrigerator/freezer.

Remove the ice bucket and shelves below the icemaker.

- 1.) Remove the icemaker (Ill. 1).
- 2.) Clip the nylon tie that holds the molex connector in place (Ill. 2).
- 3.) Remove the icemaker support (Ill. 3).
- 4.) Remove the evaporator fan cover (Ill. 4).
- 5.) Remove the molex connector from the back wall (Ill. 5).
- 6.) Reinsert the pin receptacle in the plastic housing (Ill. 6).

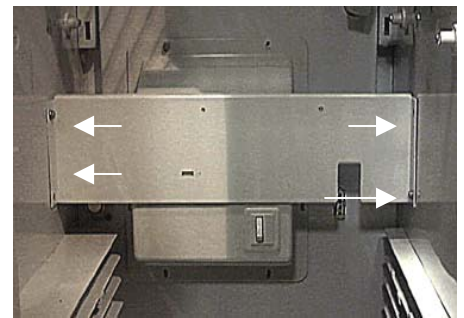
Restore all components in their proper place.



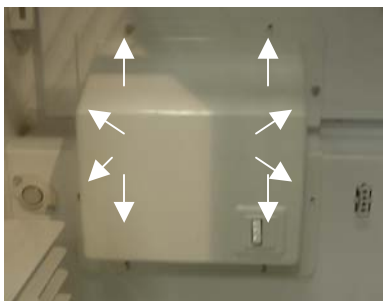
ILL. 1



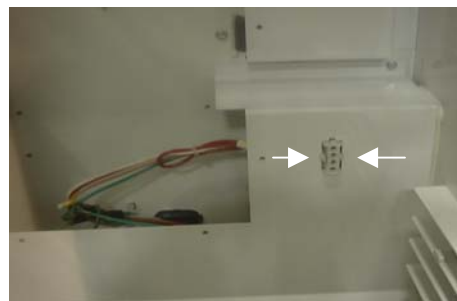
ILL. 2



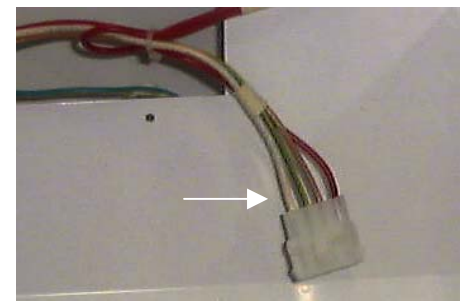
ILL. 3



ILL. 4



ILL. 5



ILL. 6

Please communicate this to all personnel in your organization.

# Service Bulletin



No: 2002-25

Date: 07/18/02

**Complaint:** Refrigerator and freezer lights overheat causing light shield and control panel to warp.

**Models affected:** \*\*\*\*362/482 Bottom Mount and Side-by-Side refrigerator/freezers  
 \*\*\*\*363/483 Bottom Mount and Side-by-Side refrigerator/freezers (products manufactured before 05/09/02. Light Thermal Kit installed in products manufactured on/after 05/09/02)

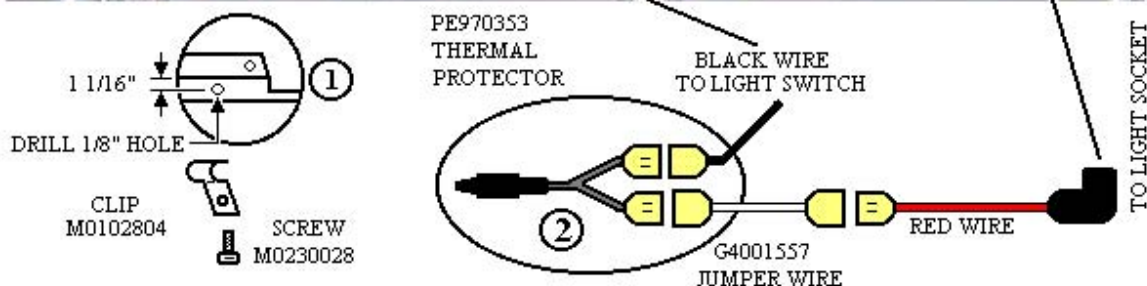
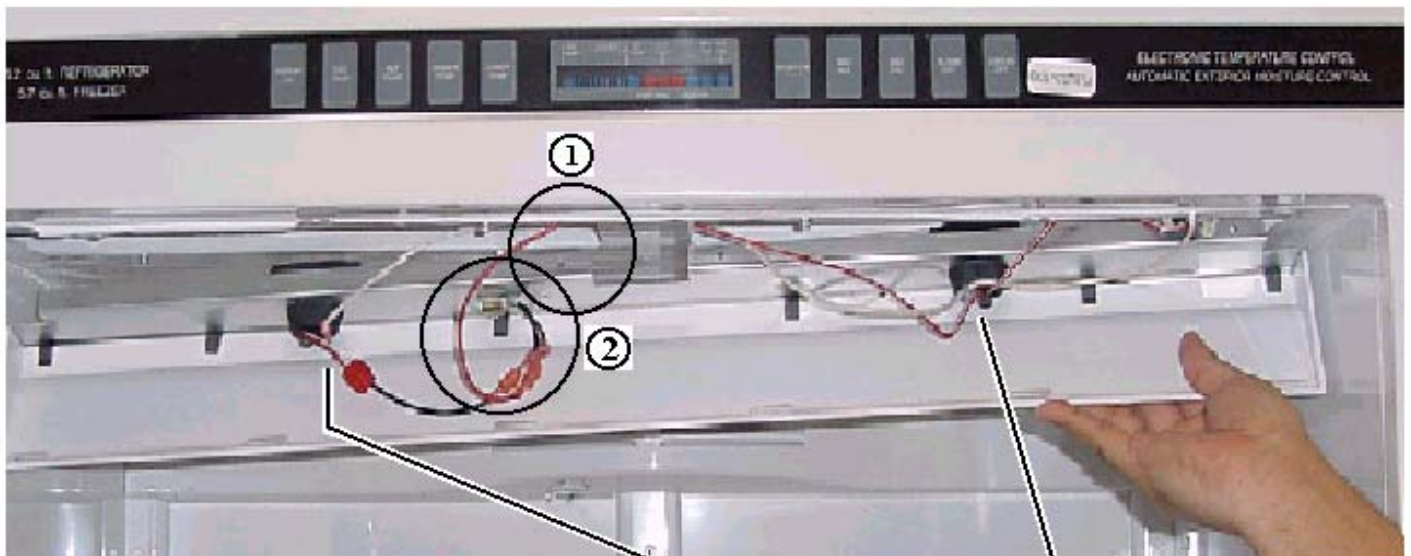
**Correction:** Install Light Thermal Kit (#G5098071) as shown in illustrations below:

Kit consists of:

QTY	PART NUMBER	DESCRIPTION
1	PE970353	Thermal Protector
1	M0102804	Bracket (Clip)
1	M0230028	Screw
1	G4001557	Jumper Wire
1	F90158	Installation Instructions

**Installation Steps:**

1. Remove the light shield to expose the wiring to the light socket and light switch.
2. Drill a mounting hole for the Bracket (clip) as shown in ①
3. Install Thermal Protector using the Bracket (clip) and Screw provided.
4. Connect the Thermal Protector between the light socket and the light switch as shown below. ②



## *Viking Preferred Service*

Viking Range Corporation • 5601 Viking Road-CR525 • Greenwood, Mississippi (MS) • 38930 • (662) 451-4133 • Fax: (662) 451-4386

### **Service Bulletin:**

No: 2002-26

Date: 6/12/02

Re: Part number changes

Models: VUWC/VUAR150

The following parts component parts have changed on the 15" undercounter refrigerator and wine cooler. Replace the existing pages in your parts manual with the updated pages included with this bulletin. The new part numbers replace the original equipment for all units manufactured after February 1, 2002.

<b>Part #</b>	<b>Description</b>
PW220014	Striker Plate
PW230054	Solid Door w/Frame
PW230052	Clear Door w/Frame
PW230056	Glass Door Frame
PW230053	Fluted Door w/Frame
B2098306	Door Skin – SS
L2098306*	Door Skin
C9098306**	Door Skin

\*BK, WH

\*\*AL,BT,BU,CB,EP,FG,GG,LE,MJ, SG,VB

Please communicate this to all personnel in your organization.

## Service Bulletin

**No:** 2002-28

**Date:** August 6, 2002

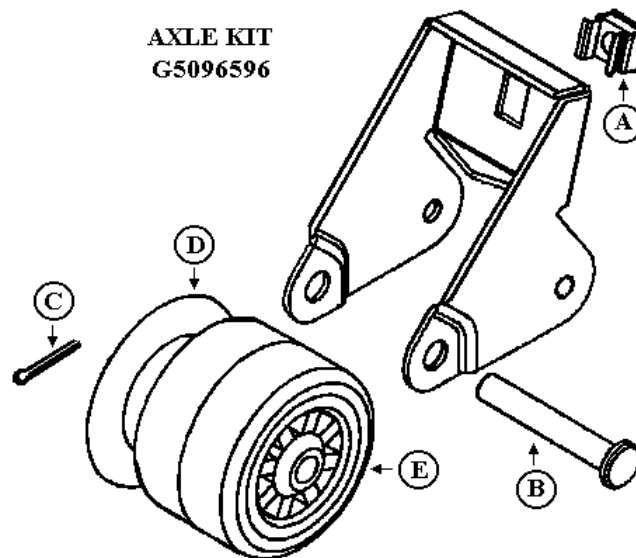
**Re:** New Axle Kit for VCBB363 Bottom Mount and VCSB483 Side by Side Refrigerator/Freezers.

A new axle assembly for the built-in refrigerator/freezers' leveling/roller system was placed in production 7/11/ 02 with **Serial Number F06280205326**.

The new axle incorporates a washer and a cotter pin, which is inserted into a hole that is located opposite the axle "head". The washer serves as a bearing surface for the cotter pin in lieu of it contacting the roller bracket.

The kit consists of the following parts:

Part number	Quantity	Description
M0286708	1	(A) Nut, Speed Grip
PC920167	1	(B) Pin, Clovis
PC920167	1	(C) Pin, Cotter
PD940076	1	(D) Washer, Brass





## *Viking Preferred Service*

Viking Range Corporation • 5601 Viking Road-CR525 • Greenwood, Mississippi (MS) • 38930 • (662) 451-4133 • Fax: (662) 451-4386

### **Service Bulletin**

**No:** 2002-30

**Date:** 10/22/02

**Re:** Parts book correction

**Model:** DDBB362 Refrigerator / Freezer

The following part numbers were incorrect in the parts book for the above model. Please replace the existing pages with the following pages which contain the corrected information.

<u>Page #</u>	<u>Item #</u>	<u>Incorrect Part #</u>	<u>Correct Part #</u>	<u>Description</u>
23	17	B2096527	B2096937	Ref. Door Skin-SS (LH)
23	17	L2096527*	C9096537***	Ref. Door Skin (LH)
23	17	C9096527**	C9096537***	Ref. Door Skin (LH)
23	17	B2096528	B2096538	Ref. Door Skin-SS (RH)
23	17	L2096528*	C9096538***	Ref. Door Skin (LH)
23	17	C9096528**	C9096538***	Ref. Door Skin (LH)
23	19	B2096531	B2096936	Frz. Door Skin-SS
23	19	L2096531*	C9096936***	Frz. Door Skin
23	19	C9096531**	C9096936***	Frz. Door Skin

**\*BK,WH**

**\*\*BT,GG,SG**

**\*\*\*BK,BT,GG,SG,WH**

Please communicate this to all personnel in your organization.

*Viking Preferred Service*

Viking Range Corporation • 5601 Viking Road-CR525 • Greenwood, Mississippi (MS) • 38930 • (662) 451-4133 • Fax: (662) 451-4386

**Service Bulletin**

**No:** 2002-32

**Date:** 11/14/02

**Re:** F1632 Parts book correction

**Model:** VUIM180 Under Counter Ice Machine

Item number 1 on page 8 lists the incorrect part number for the water valve for this model.

**Please note the correct part number is PW300102 (Water Valve) for model VUIM180 Under Counter Ice Machine.** Please replace page 8 in catalog number F1632 with the attached page, which contains the corrected information.

<u>Page #</u>	<u>Item #</u>	<u>Incorrect Part #</u>	<u>Correct Part #</u>	<u>Description</u>
8	1	PW300101	PW300102	Water Valve

Please communicate this information to all applicable personnel within your organization.

Thank you.

# Viking Preferred Service

Viking Range Corporation • 5601 Viking Road-CR525 • Greenwood, Mississippi (MS) • 38930 • (662) 451-4133 • Fax: (662) 451-4386

## Service Bulletin:

No: 2002- 35

Date: 12/05/02

Re: Icemaker Bin Switch

Models: All Side by Side Refrigerator/Freezers

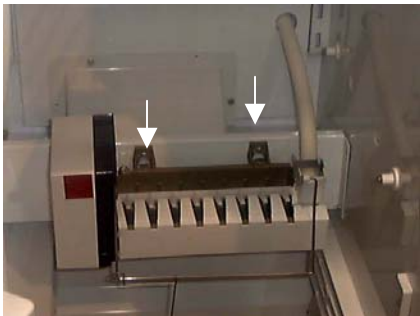
Complaint: Icemaker will not make ice.

Correction: Disconnect power to the refrigerator/freezer.

Remove the ice bucket and shelves below the icemaker.

- 1.) Remove the icemaker (Ill. 1).
- 2.) Clip the nylon tie that holds the molex connector in place (Ill. 2).
- 3.) Remove the icemaker support (Ill. 3).
- 4.) Remove the evaporator fan cover (Ill. 4).
- 5.) Locate the Bin Switch on the underside of the evaporator fan cover. (Ill. 5).
- 6.) Remove the wires from the bin switch and tie together with a wire nut. (Ill. 6).

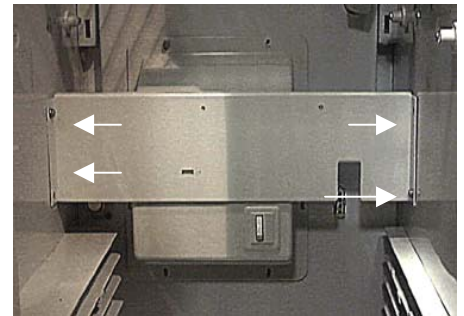
Restore all components in their proper place.



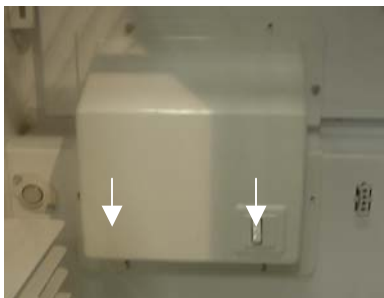
ILL. 1



ILL. 2



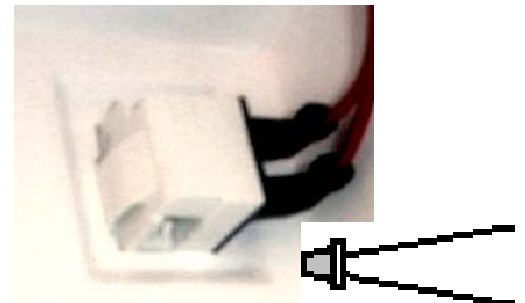
ILL. 3



ILL. 4



ILL. 5



ILL. 6

# Viking Preferred Service

Viking Range Corporation • 5601 Viking Road-CR525 • Greenwood, Mississippi (MS) • 38930 • (662) 451-4133 • Fax: (662) 451-4386

## Parts Bulletin

No: 2003-02P (Revision 2)

Date: 7/21/03

### Model Number

VCBB360/361/362/363/363 “G” 36” Bottom Mount Refrigerator  
VCSB481/482/483/483 “G” 48” SXS Refrigerator

### Obsolete Control Board

The PJ934000 Low Voltage Board is obsolete, no longer available and replaced with new control board G5099919 low voltage controller kit.

**The PJ934000 will not retrofit the “G” series 36” Bottom Mount / 48” Side by Side Refrigerators.**

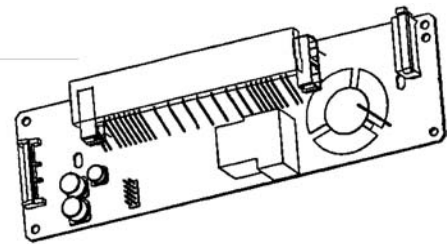
### Replacement Low Voltage Board

Models manufactured after 7/07/03 include Low Voltage Board and wire harness.

Check inventory and use the current stock for replacements. All orders for PJ934000, PE970345 and PE970450 Low Voltage Board will be substituted to the G5099919 Low Voltage Controller Kit..

PJ934000 Low Voltage Board

Obsolete



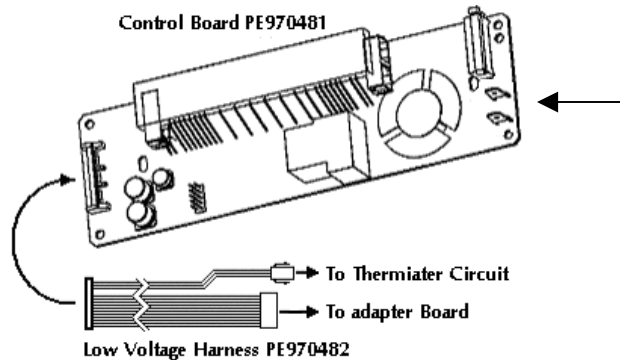
Old Low Voltage Board –No Terminals

G5099919 Low Voltage Board

Suggested List (\$122.00)

Replaces PJ934000, PE970345, PJ970450

Control Board PE970481



New Low Voltage Board – with light terminal and low voltage harness.

# Viking Preferred Service

Viking Range Corporation • 5601 Viking Road-CR525 • Greenwood, Mississippi (MS) • 38930 • (662) 451-4133 • Fax: (662) 451-4386

## Service Bulletin:

**No:** 2003- 2S

**Date:** 01/05/03

**Re:** Icemaker Bin Switch

**Models:** 481/482/483 Side-by-Side Refrigerator/Freezers

**Complaint:** Icemaker will not make ice.

**Correction:** Disconnect and by pass the ice bin switch.

Disconnect power to the refrigerator/freezer.

Remove the ice bucket and shelves below the icemaker.

- 1.) Remove the icemaker (Ill. 1).
- 2.) Clip the nylon tie that holds the molex connector in place (Ill. 2).
- 3.) Remove the icemaker support (Ill. 3).
- 4.) Remove the evaporator fan cover (Ill. 4).
- 5.) Locate the Bin Switch on the underside of the evaporator fan cover. (Ill. 5).
- 6.) Remove the wires from the bin switch and tie together with a wire nut. (Ill. 6).

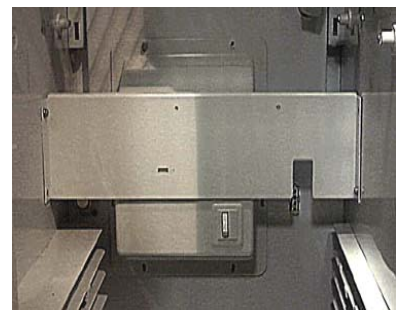
Restore all components to their proper place.



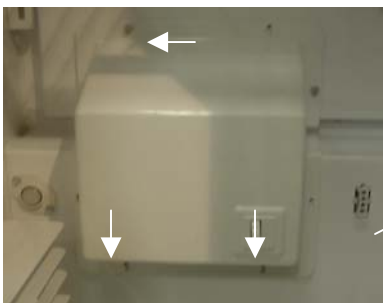
ILL. 1



ILL. 2



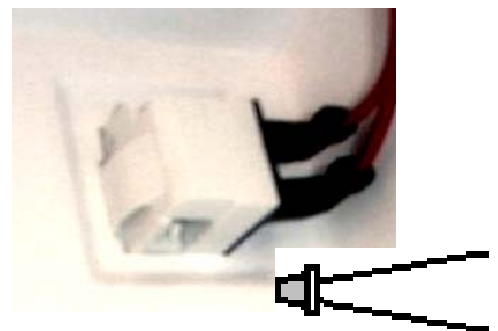
ILL. 3



ILL. 4



ILL. 5



ILL. 6

Post Office Drawer 956 • 111 Front Street • Greenwood, Mississippi 38930 USA • Telephone (662) 455-1200 • FAX (662) 453-7939

website: <http://www.vikingrange.com>.

# Viking Preferred Service

Viking Range Corporation • 5601 Viking Road-CR525 • Greenwood, Mississippi (MS) • 38930 • (662) 451-4133 • Fax: (662) 451-4386

## Service Bulletin

No: 2003-04S

Date: 01/27/03

**Models:** 360/362/363 Bottom Mount Refrigerator (**Bottom Mount Models Only**)

### BTM Deli Control Service Kit-G5099024

<u>Part #</u>	<u>Description</u>	<u>Quantity</u>
PB970161	Gasket, Drawer Support, BTM, R	1
PB970162	Gasket, Drawer Support, BTM, L	1
PM910292	Restrictor, Deli Control, BTM	1
M0275166	Tape-Aluminum	1.5 ft
M0215704	Screw, Countersink	4
F90201	Sheet, Instruction, Deli Control, BTM	1

- 1) Open Refrigerator Door



Crisper Pan Assembly-12056902

- 2) Remove Produce Drawers (Crisper Pan Assembly-12056902)



Deli Lid Assy-12223207 and Deli To

- 3) Remove Meat Savor Lid and Shelf (Deli Lid Assembly-12223207 and Deli Top Assembly-12223303).



- 4) Remove Deli Control Cover (Cover-Deli Control-12073701)



Slide-Deli Control-12073601

- 5) Disassembly Deli Control Slide from Deli Control Cover (Slide-Deli Control-12073601)



Duct Crisper Air - 10931801



- 6) Place Deli Control Restrictor (PM910292) onto Duct Crisper Air (10931801) using four screws (M0215704).



Deli Control Restrictor-PM910292

- 7) Place Aluminum tape along edges of Restrictor. Use 1.5" to 2" wide tape on the left and right sides and have 5/8" covering the sides. Use 1" wide tape on the top and bottom sides and have 1/4" covering the Top and Bottom.



- 8) Place gasket material (PB970161 & PB970162) along edge of Meat Savor Glides.



Left Hand Side



Right Hand Side

(PLEASE NOTE: Service Fix will have white gaskets)

- 9) Replace Deli Control Cover and Slide  
(PLEASE NOTE: Picture same as Step 3)
- 10) Replace MeatSavor Lid and Shelf  
(PLEASE NOTE: Picture same as step 2)
- 11) Replace Produce Drawers  
(PLEASE NOTE: Picture same as Step 1)

# Viking Preferred Service

Viking Range Corporation • 5601 Viking Road-CR525 • Greenwood, Mississippi (MS) • 38930 • (662) 451-4133 • Fax: (662) 451-4386

Service Bulletin: 2003-05S

Date: 2/17/03

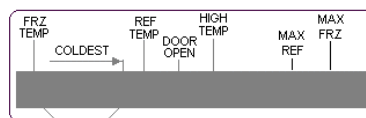
**Complaint:** Frost build-up on evaporator / incomplete defrost because of Adaptive Defrost cycles.

**Models:** Bottom Mount Refrigerator Freezers 360/362/363

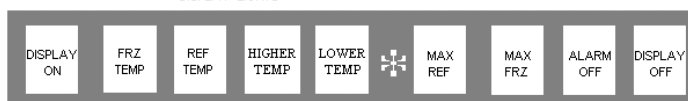
Side-by-Side Refrigerator Freezers 481/482/483

**Solution:** Replace the Controller with part number PE970345 Controller Kit

Follow the instructions below.



TEMPERATURE DISPLAY LIGHTS



DISPLAY PANEL KEYBOARD

## A. Mode A entry

While keyboard is enabled and the refrigerator and or freezer door open, press the (hidden) vacation key once, and within five (5) seconds press Max refriq, Max. Freeze, Max Refrig. and Max Freeze. The controller will be in Mode A and an audio confirmation is to sound, three (3) beeps of duration 300ms on and 300ms off.

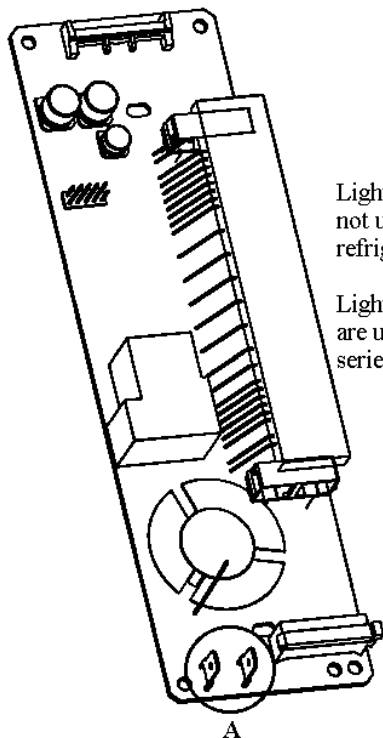
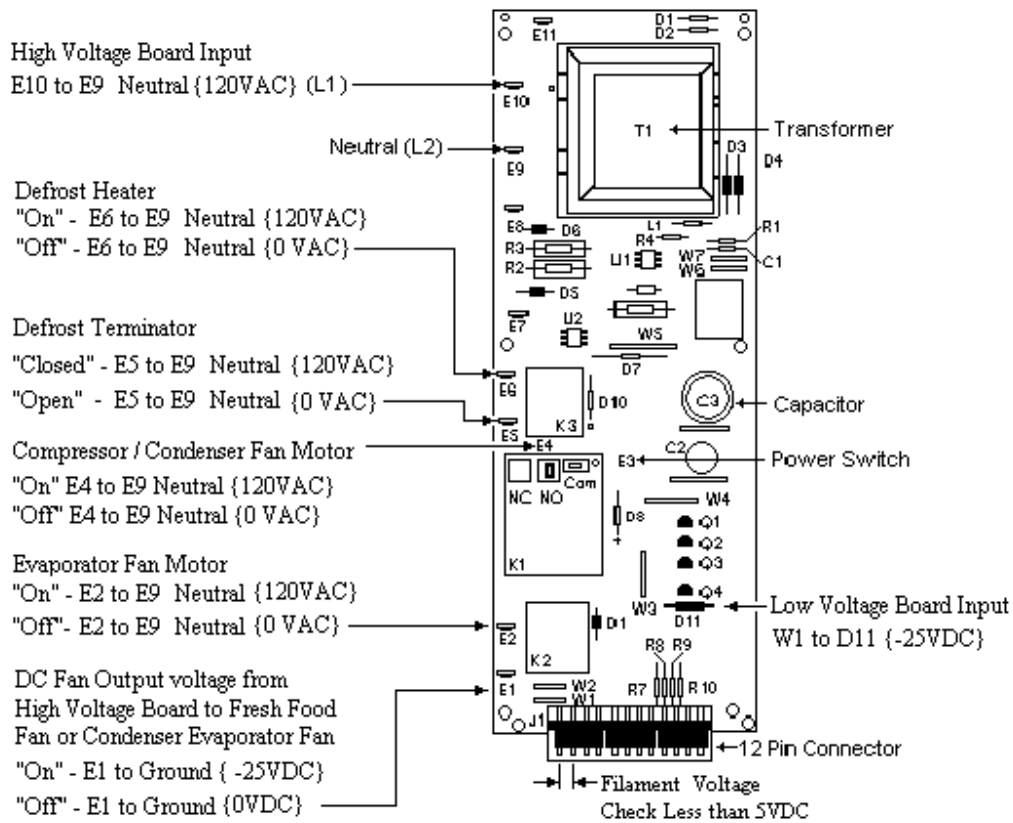
## B. Adjustable Conventional Defrost – setting time between defrosts

1. **Access:** While in Mode A, press and hold Display Off key for 3 seconds. 1 audio confirmation beep will be heard.
2. **Display:** The conventional Defrost time will be displayed in one of the temperature indicators (one of nine temperature indicators) are to be lit.
3. **Defrost Times:** The indicator light and corresponding Defrost Times is listed below.
4. **Changing Levels:** The defrost times are changed by using the Higher Temp and Lower Temp keys. Pressing the Higher Temp key once will decrease the defrost time by one level; pressing the Lower Temp key once will increase the defrost time by one level. The new compressor stays on longer which means less compressor cycles between defrosts. To maintain temperature stability (prevention of freezing/thawing of food) a minimum of 6 hours (indicator 3) & an optimum setting of 8 hours (indicator 4), are recommended.

Indicator	Defrost Time	Indicator	Defrost Time	Indicator	Defrost Time
1	4 hours	4	8 hours	7	18 hours
2	5 hours	5	12 hours	8	20 hours
3	6 hours	6	16 hours	9	24 hours

5. **Exit Modifying Conventional Defrost – time between defrost:** To exit adjustable Conventional Defrost, press Display On key. (Note: Press Display On key only. Do not hold Display On or you will be taken out of programming mode. If this occurs, re-enter Mode A according to Section A above, then proceed to Section B-6 of this bulletin. The changed value will be written to the EEPROM and will remain that value until it has been changed again in Mode A.
6. **Selecting Conventional Defrost:** Press Display On and make sure you are in Mode B (the Clean Condenser Indicator will be off – red square to the far right). You should see the Vacation Indicator lit – blue square to the far left (group of 3 blue squares). When the Vacation Indicator is lit, you are in Adaptive Defrost, when it is not lit, you are in Conventional Defrost. Toggle from Adaptive to Conventional Defrost by selecting the Vacation Keypad.
7. **Exiting Programming Mode –** Press and hold Display On Key for 3 seconds.

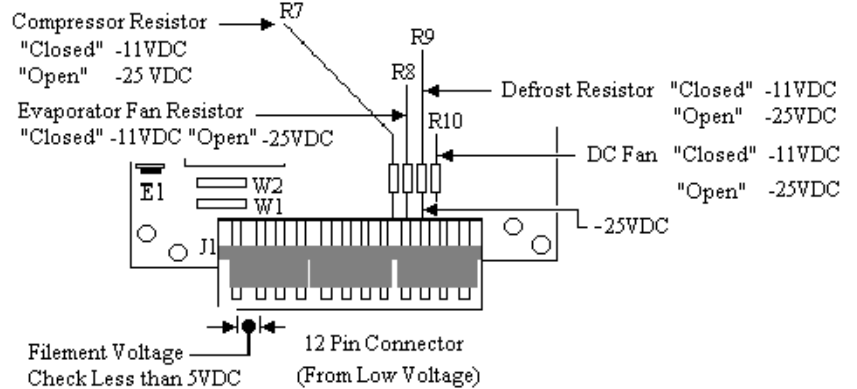
## Low Voltage Check Points



A

Light Relay Terminals not used on "F" series refrigerators.

Light Relay Terminals are used on all "G" series refrigerators



**Service Bulletin: 2003-07S**

**Date: 01/15/03**

**Complaint:** Condensation – Drain pan overflow in High Humidity Areas.

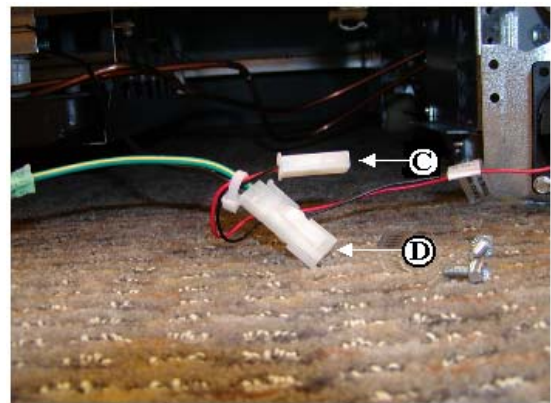
**Models:** Bottom Mount Refrigerators 362/363  
Side by Side Refrigerators 482/483

- Remedy: 362/363**
- 1) Remove the lower kick panel
  - 2) Follow the Red and Black wires from the condensate motor to the left. (Ill #2)
  - 3) Locate the Molex Connectors on the left side of the refrigerator and mate the two (C&D) together.
  - 4) Making sure the Green Ground Wire is secured in place.
  - 5) Replace the kick panel.

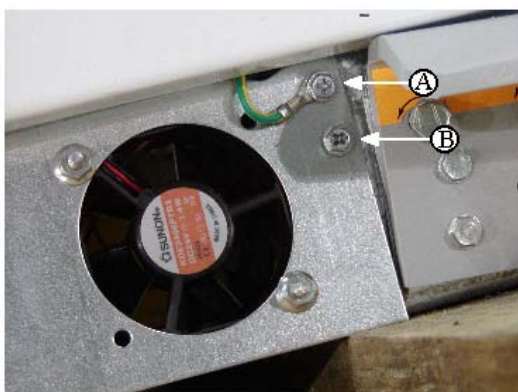
- Remedy: 482/483**
- 1) Remove the lower kick panel
  - 2) Remove the Condensate motor bracket screws A and B (Ill#3)
  - 3) Locate the Molex connectors (C and D) behind the motor bracket and mate them together. (Ill#4)
  - 4) Replace the Condensate Motor bracket making sure the Green Ground Wire is properly secured.
  - 5) Replace the kick panel.



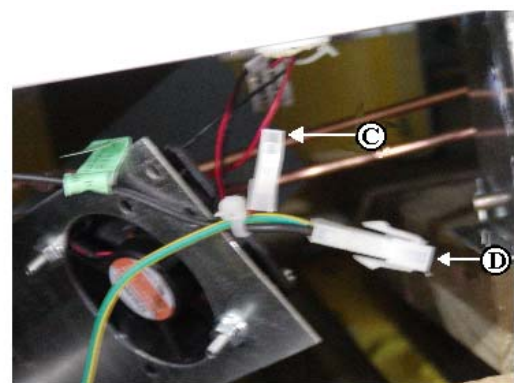
III 1



III 2



III 3



III 4

*Viking Preferred Service*

Viking Range Corporation • 5601 Viking Road-CR525 • Greenwood, Mississippi (MS) • 38930 • (662) 451-4133 • Fax: (662) 451-4386

**Service Bulletin**

**No:** 2003-08S

**Date:** 4/17/03

**Models:** 483 48" SXS Refrigerator

**Complaint:** Produce freezing in deli drawer

**Correction:** Install Deli Control Service Kit

**SXS Deli Control Service Kit-G5099284**

Kit includes:

<u>Part #</u>	<u>Description</u>	<u>Quantity</u>
PB970161	Gasket, DrawerSupport, BTM, R	1
PB970162	Gasket, DrawerSupport, BTM, L	1
A3189348	Gasket Foam	50 inches
F90583	Sheet, Instruction, Deli Control, BTM	1

Installation instruction sheet F90583 attached.

Please communicate this to all personnel in your organization.

## Viking Preferred Service

Viking Range Corporation • 5601 Viking Road-CR525 • Greenwood, Mississippi (MS) • 38930 • (662) 451-4133 • Fax: (662) 451-4386

### Service Bulletin: 2003-09S (Revised)

**Date:** 7/15/03

**Complaint:** Condensation – Drain pan overflow in High Humidity Areas.

**Models:** 363 Bottom Mount Refrigerators / 423 Side by Side Refrigerator / 483 Side by Side Refrigerators

### Solution: Connect condensate fan

#### Solution 363

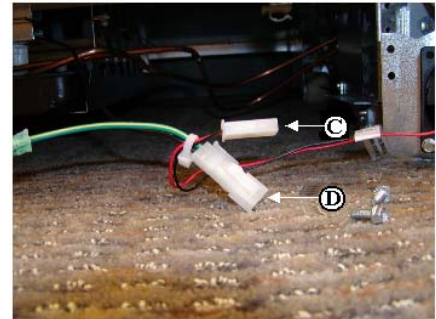
- 1) Remove the lower kick panel.
- 2) Follow the Red and Black wires from the condensate motor to the left. (Ill #2)
- 3) Locate the Molex Connectors on the left side of the refrigerator and mate the two (C and D) together.
- 4) Making sure the Green Ground Wire is secured in place.
- 5) Replace the kick panel.

#### Solution: 423/483

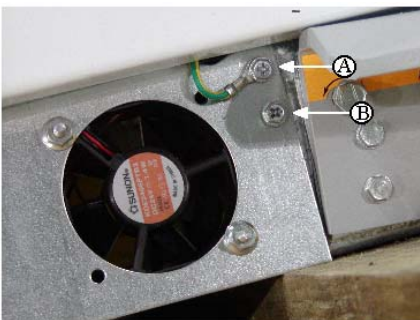
- 1) Remove the lower kick panel.
- 2) Remove the Condensate motor bracket screws A and B (Ill #3)
- 3) Locate the Molex Connectors (C and D) behind the motor bracket and mate them together. (Ill #4)
- 4) Replace the Condensate Motor bracket making sure the Green Ground Wire is properly secured.
- 5) Replace the kick panel.



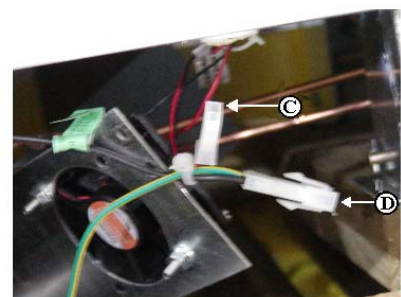
Ill #1



Ill #2



Ill #3



Ill #4

## Viking Preferred Service

Viking Range Corporation • 5601 Viking Road-CR525 • Greenwood, Mississippi (MS) • 38930 • (662) 451-4133 • Fax: (662) 451-4386

### Service Bulletin 2003-10S (Update)

Date 07/15/03

The Viking 360/362/363 and 483 “G” Series refrigeration products have a mullion heater foamed in place **For Service Only**, not powered from the factory.

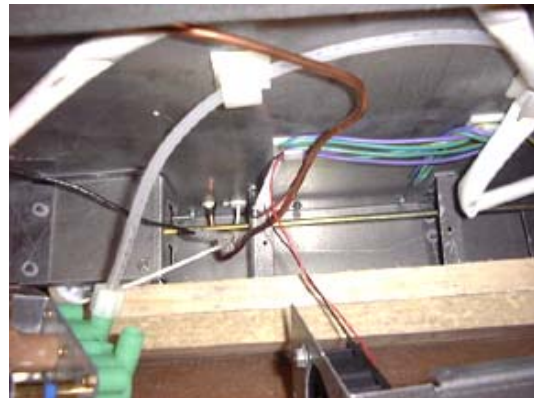
#### 360/362/363 Bottom Mount Refrigerator

Heater – 120VAC – 20 Watts –  $661 \pm 7.5 \Omega$ .

#### 483 “G” Series 48 & 42 “S x S Refrigerator

Heater – 120VAC – 28 Watts –  $661 \pm 7.5 \Omega$ .

1. Disconnect power to the unit using power switch.
2. Remove the toe grille (kick plate).
3. Remove the two (2) screws holding the water valve in place for access to the water valve wiring harness.
4. Remove the “L” shaped cover behind the water valve for easy access to the mullion heater wires (black and white).
5. Carefully slit water valve wiring harness vinyl sleeve to expose one black and one white lead with bullet terminals.
6. Locate mullion heater leads at the left side of cabinet and connect to black and white leads of the water valve terminators.
7. Wrap vinyl sleeve with electrical tape to close slit.
8. Reinstall “L” shaped cover the water valve.
9. Replace toe grille (kick plate).





## Viking Preferred Service

Viking Range Corporation • 5601 Viking Road-CR525 • Greenwood, Mississippi (MS) • 38930 • (662) 451-4133 • Fax: (662) 451-4386

### Service Bulletin 2003-10S

Date 07/15/03

The Viking 360/362/363 and 483 “G” Series refrigeration products have a mullion heater foamed in place **For Service Only**, not powered from the factory.

#### 360/362/363 Bottom Mount Refrigerator

Heater – 120VAC – 20 Watts –  $662 \pm 40 \Omega$ .

#### 483 “G” Series 48 & 42 “SxS Refrigerator

Heater – 120VAC – 28 Watts –  $514 \pm 30 \Omega$ .

1. Disconnect power to the unit using power switch.
2. Remove the toe grille (kick plate).
3. Remove the two (2) screws holding the water valve in place for access to the water valve wiring harness.
4. Remove the “L” shaped cover behind the water valve for easy access to the mullion heater wires (black and white).
5. Carefully slit water valve wiring harness vinyl sleeve to expose one black and one white lead with bullet terminals.
6. Locate mullion heater leads at the left side of cabinet and connect to black and white leads of the water valve terminators.
7. Wrap vinyl sleeve with electrical tape to close slit.
8. Reinstall “L” shaped cover the water valve.
9. Replace toe grille (kick plate).



## Viking Preferred Service

Viking Range Corporation • 5601 Viking Road-CR525 • Greenwood, Mississippi (MS) • 38930 • (662) 451-4133 • Fax: (662) 451-4386

Service Bulletin: 2003-11S

Date: 07/14/03

Models: 42" S x S Refrigerators

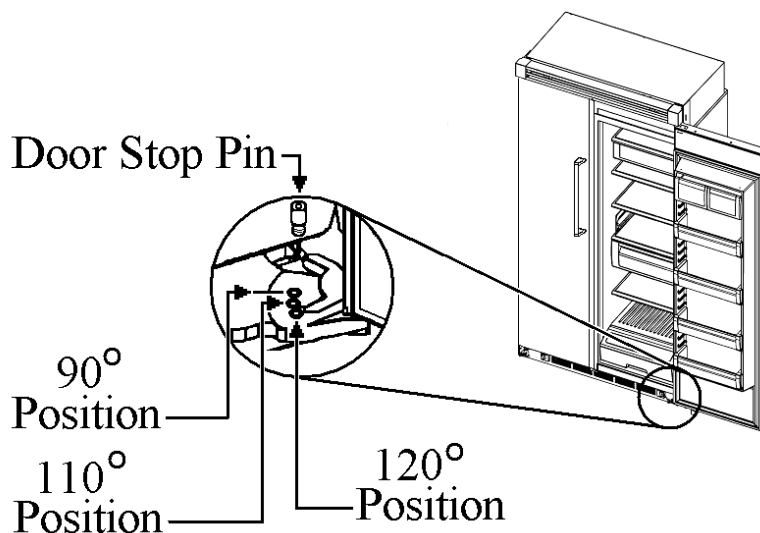
Complaint: Refrigerator door not closing properly

Cause: Return Arm interferes with the Leveling Let Block

Correction: Adjust the lower Hinge.

### HINGE ADJUSTMENT

1. Using a 3/16" allen wrench, remove the door stop pin located in bottom hinge.
2. Check the white nylon bushing at the front end of the return arm. The bushing should be beneath the return arm.
3. Using the height adjustment shim as a wrenching device, rotate the height adjustment bushing counterclockwise to raise the location of the door. Check the clearance after each half turn until the hinge clears, then one more turn for good measure not to exceed the point where more than one full thread is visible above the hinge plate (approximately 3 turns, that will depend on where the bearing was at the start, so stopping after one thread is visible is a better guide.)
4. When proper adjustment is reached, align shim with door stop pin holes and replace door stop pin. Firmly tighten pin in place.
5. Check and adjust the Freezer door height to match the Refrigerator door.



### DOOR STOP ADJUSTMENT

1. Using a 3/16" allen wrench, remove the door stop pin located in bottom hinge.
2. The pin is factory set 110°, For 120° swing, move the pin to the utmost forward stop hole, For 90° swing, move the pin to the utmost rear stop hole.

## Viking Preferred Service

Viking Range Corporation • 5601 Viking Road-CR525 • Greenwood, Mississippi (MS) • 38930 • (662) 451-4133 • Fax: (662) 451-4386

### Parts Bulletin

No: 2003-02P (Revision 1)

Date: 5/22/03

#### Model Number

VCBB360/361/362/363/363 “G” 36” Bottom Mount Refrigerator

VCSB481/482/483/483 “G” 48” SXS Refrigerator

#### Obsolete Control Board

The PJ934000 Low Voltage Board is obsolete, no longer available and replaced with new control board PE970469 Low Voltage Board.

**The PJ934000 will not retrofit the “G” series 36” Bottom Mount / 48” Side by Side Refrigerators.**

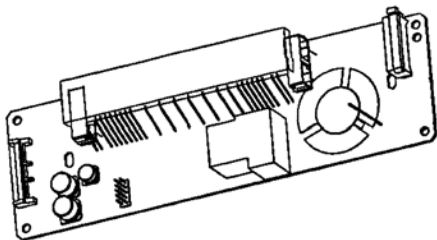
#### Replacement Low Voltage Board

Models manufactured after 5/22/03 include PE970469 Low Voltage Board.

Check inventory and use the current stock for replacements. All orders for PJ934000, PE970345 and PE970450 Low Voltage Board will be substituted to the PE970469 Low Voltage Board.

PJ934000 Low Voltage Board

(Obsolete)

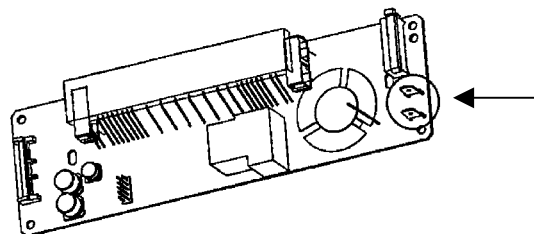


Old Low Voltage Board – No Terminals

PE970469 Low Voltage Board

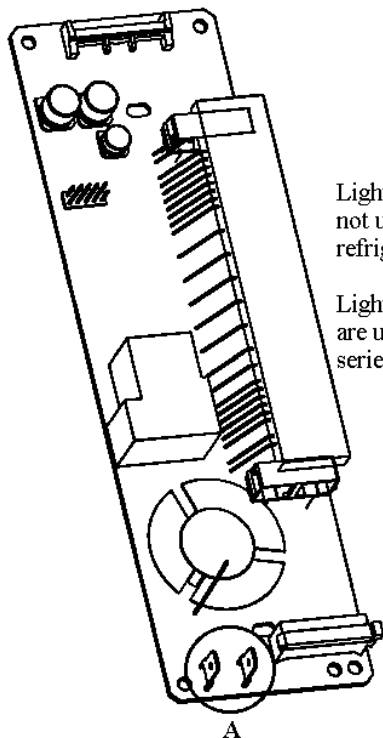
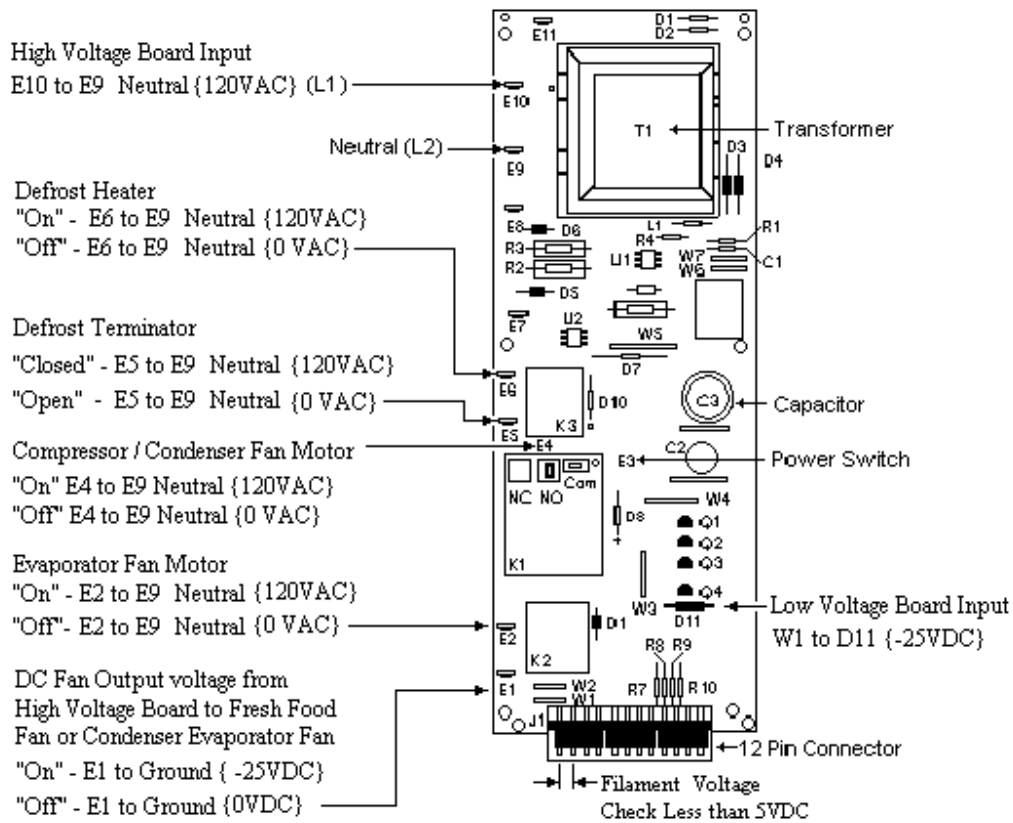
Suggested List (\$122.00)

Replaces PJ934000, PE970345, PJ970450



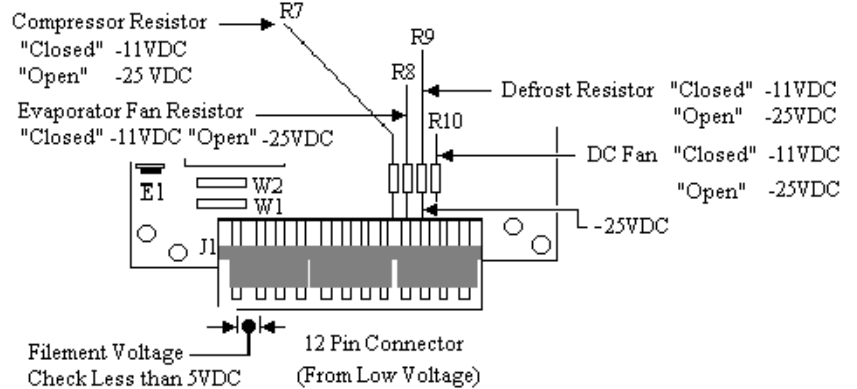
New Low Voltage Board – With Terminals

## Low Voltage Check Points



Light Relay Terminals not used on "F" series refrigerators.

Light Relay Terminals are used on all "G" series refrigerators



# SxS Deli Control Instruction Sheet

## Viking Part Number

### G5099284 SxS Deli Control Service Kit

<u>Part #</u>	<u>Description</u>	<u>Quantity</u>
PB970161	Gasket, DrawerSupport, BTM, R	1
PB970162	Gasket, DrawerSupport, BTM, L	1
A3189348	Gasket Foam	50 inches
F90583	Instructions	1

#### 1) Open Refrigerator Door



Crisper Pan Assembly-12144302

#### 2) Remove Produce Drawers (Crisper Pan Assembly-12144302)

## SxS Deli Control Instruction Sheet

### Viking Part Number



Deli Lid Assy-12223208 and Deli Top Assy-PK930044

- 3) Remove MeatSavor Lid and Shelf (Deli Lid Assembly-12223208 and Deli Top Assembly-PK930044).



Cover-Air Control-12231201

- 4) Remove Air Control Cover (Cover-Air Control-12231201)

# SxS Deli Control Instruction Sheet

## Viking Part Number



Gasket Foam-A3189348



Gasket Foam-A3189348

- 5) Place Gasket Foam (Gasket Foam-A3189348) around the perimeter of Air Control Cover (Cover-Air Control-12231201)

## SxS Deli Control Instruction Sheet

### Viking Part Number



Cover Air Control-12231201

- 6) Reattach Air Control Cover (Cover-Air Control-12231201) to back of fresh food cabinet. Be sure to position Air Control Cover as far to the left as possible and tighten screws all the way so that gasket around perimeter of Air Control Cover compresses.



## SxS Deli Control Instruction Sheet

### Viking Part Number



Gasket Foam-A3189348

- 7) If air is still leaking or you see a gap on the left hand side of Air Control Cover, place Gasket Foam (Gasket Foam-A3189348) around the outside perimeter of Air Control Cover (Cover-Air Control-12231201)



Left Hand Side

## SxS Deli Control Instruction Sheet

### Viking Part Number



Right Hand Side

(PLEASE NOTE: Service Fix will have white gaskets)

- 8) Place gasket material (PB970161 & PB970162) along edge of Meat Savor Glides.
- 9) Replace Air Control Cover  
(PLEASE NOTE: Picture same as Step 3)
- 10) Replace MeatSavor Lid and Shelf  
(PLEASE NOTE: Picture same as step 2)
- 11) Replace Produce Drawers  
(PLEASE NOTE: Picture same as Step 1)

# Viking Preferred Service

Viking Range Corporation • 5601 Viking Road-CR525 • Greenwood, Mississippi (MS) • 38930 • (662) 451-4133 • Fax: (662) 451-4386

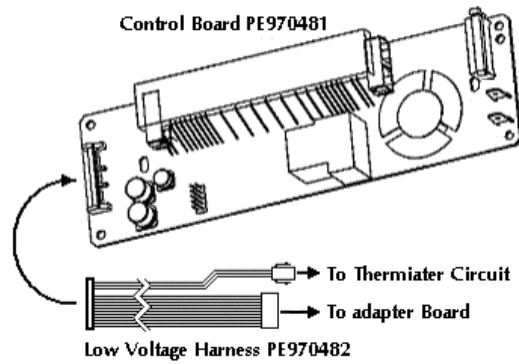
Service Bulletin: F90712

Date: 07/14/03

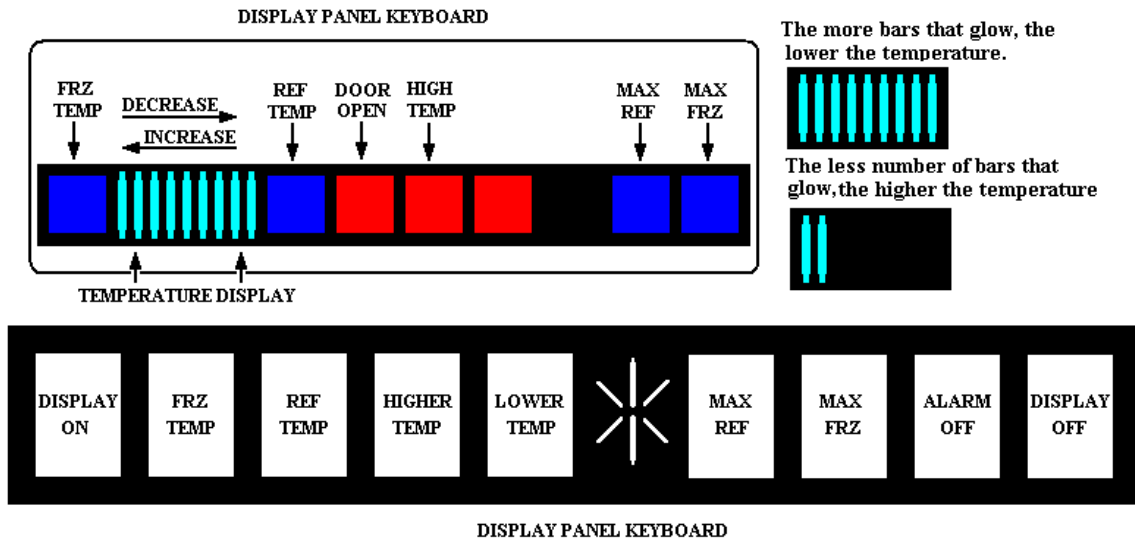
Refrigeration Controller Service Kit G5099919

**Models:** Bottom Mount Refrigerator Freezers 363 "G"  
Side-by-Side Refrigerator Freezers 483 "G"

**When replacing the G5099919 Controller Kit in the refrigerator-freezer the Temperature Offsets will have to be checked and reset if necessary.**



Kit consists of: **Control board PE970481** and **Low voltage Harness PE970482**



**TO ACCESS DISPLAY PANEL OPERATION:**

To check the setting of the **Freezer** and **Fresh Food** offsets follow the instructions below to confirm the correct settings

**\*Hidden Button\*** (See control panel above.)

**To activate Program Mode:** Two programming modes are available. Mode A allows reading refrigerator and freezer thermister temperatures. Mode B is used for all other programming functions.

1. Open refrigerator door.
2. Press Display On pad
3. Press Hidden (\*) pad
4. Within 6 seconds press the following pads in this sequence; Max Ref., Max Frz., Max Ref., Max Frz.
5. When access is granted, tone will sound 3 times and control will be in program mode A, unmarked indicator light will illuminate.

**Mode B Functions:**

Automatic Keyboard Functions

Door Alarm Delay

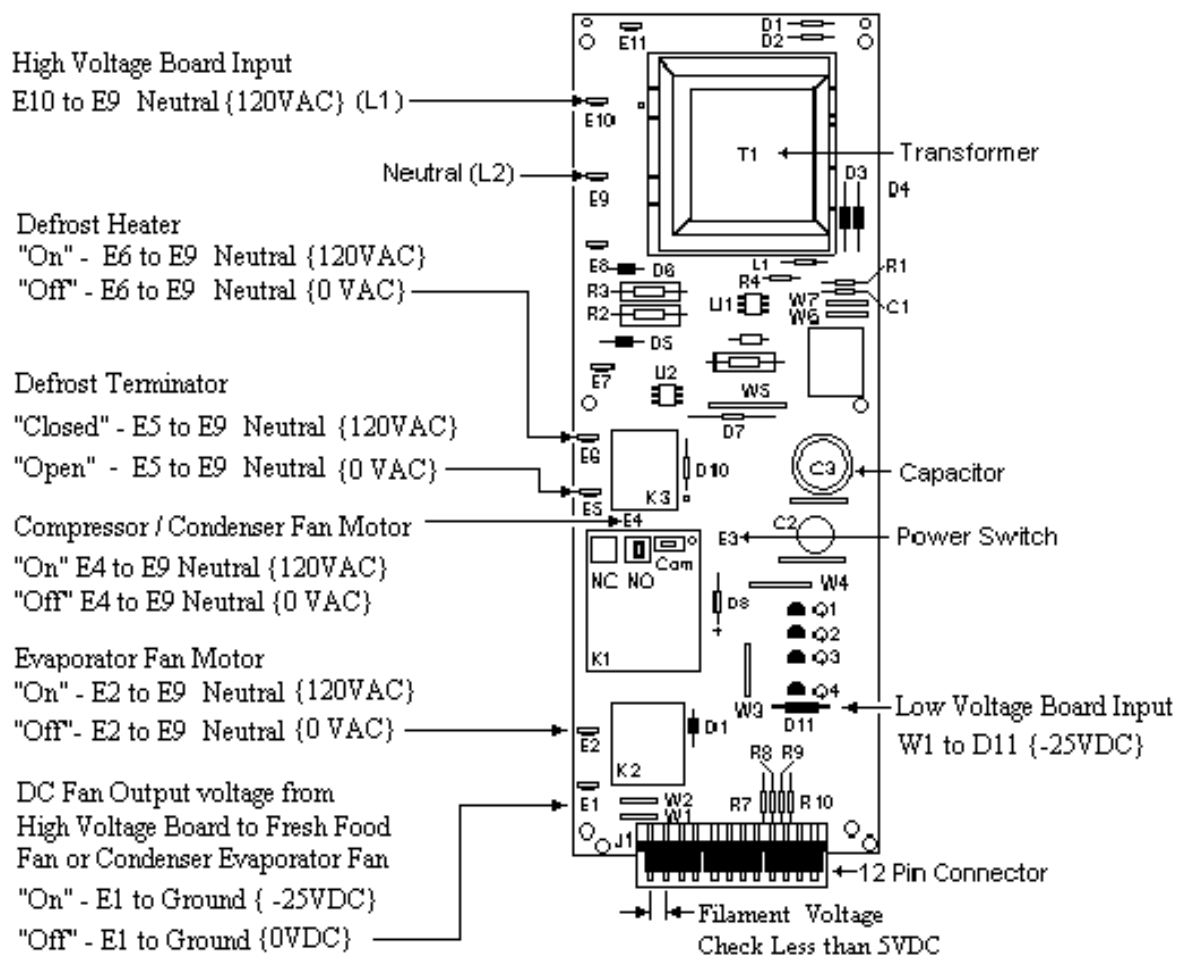
Max Ref. Run Time Duration

Max Frz. Run Time Duration

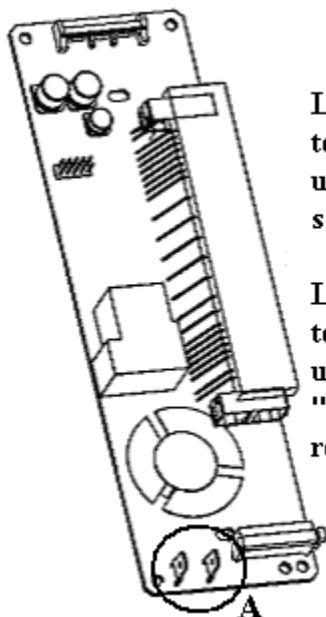
**Temperature Offset Calibration** Offset amount adjusts temperatures for refrigerator cut-in and cut-outs by the amount of offset. The chart below shows the indicator and the amount of offset from the factory default setting.

**Temperature Calibration Offset**

<b>Models</b>	<b>Description</b>	<b>Frz Offset</b>	<b>FF Offset</b>
<b>361 / 362 / 363 / 363G</b>	<b>36" BM</b>	<b>5</b>	<b>8</b>
<b>481 / 482 / 483 / 483G</b>	<b>48" S x S</b>	<b>4</b>	<b>6</b>
<b>423G</b>	<b>42" S x S</b>	<b>4</b>	<b>7</b>

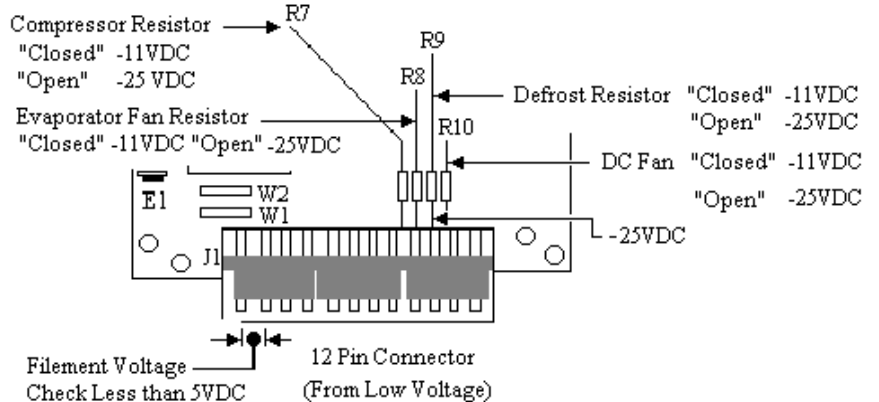


### Low Voltage Board Check Points



**A**  
Light relay terminals not used on "F" series refers.

Light relay terminals are used on all "G" series refrigerators



## **SerBul J OUTDOOR GRILLS**

Service Bulletin #98-05 (Modification to Burner Box)

Service Bulletin #99-01 (Replacement Rotis Mounting Bracket)

Service Bulletin #99-02 (Modification to SC30"/41"/53" Grill Carts)

Service Bulletin #99-07 (VGGQ Wind Break)

Service Bulletin #2000-03 (Grill Head and Cart Installation)

Service Bulletin #2000-59 (Replacement Stainless Steel Burner Kits)

Service Bulletin #2001-05 ("T" Series Installing on Carts)

Service Bulletin #2001-12 (Change "T" Installing on Carts)

Service Bulletin #2001-22 (Flavor Generator Grids "S" Series)

Service Bulletin #2001-25 (Misordered Parts for "S" and "T" Grills)

Service Bulletin #2001-31 ("T" Grill I/R Burner not Staying Lit Due to Knob)

Service Bulletin #2001-40 (Slow or Delayed Ignition for "S" Series Grill)

Service Bulletin #2001-45 (Grill Burners Go Out Between Low and Medium)

Service Bulletin #2002-08 (VGBQ "T" Spark Module Change)

Service Bulletin #2002-18 (I/R Burner for Rotis Not Staying Lit)

# Service Bulletin

No: 98-05

Date: 5\19\98

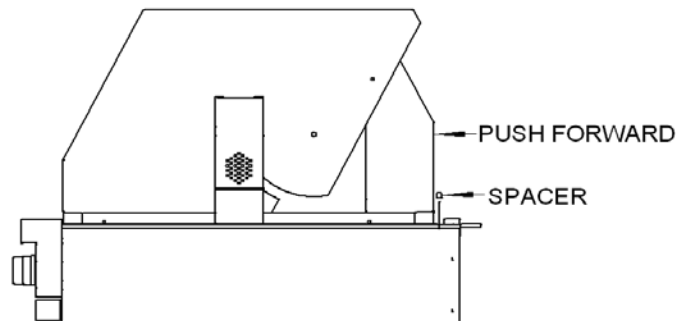
## MODEL NUMBER

VGBQ OUTDOOR GAS GRILLS

## MODIFICATION TO BURNER BOX

We have discovered some of the burner boxes on outdoor gas grills may move from back to front. To eliminate the possibility of this occurring we recommend installing the repair kit listed below. Please contact the Viking Parts Department at (800) 467-2665 to order repair kit.

## CORRECTION



1. Push Grill Forward.
2. Insert 1/4" Spacer (One On Each Side) between Grill Head and Rear Trim.

## PARTS

Use two PD040048 1/4 x 2" stainless steel key stock.

## Service Bulletin

No: 99-01

Date: 3/09/99

### REPLACEMENT ROTIS MOUNTING BRACKET

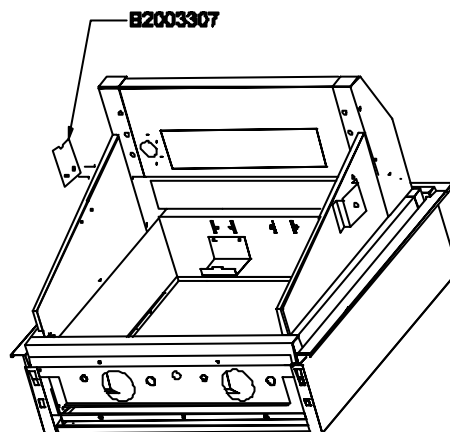
The rotis rod mounting bracket located on the left side of the new "S" Series grill is not adjusted for the proper height.

The bracket has been changed to correct the height adjustment. The part number for the replacement bracket is B2003307.

**All products manufactured and shipped after 3/07/99 will include the new B2003307 mounting bracket.**

The Viking Parts Department is shipping replacement brackets to each distributor for all "S" Series Grills manufactured and shipped before 3/07/99.

### CORRECTION



1. Remove old bracket (discard)
2. Mount new bracket with screws included



# Service Bulletin

No: 99-02

Date: 4/12/99

## MODIFICATION TO SC30"41"53" GRILL CARTS

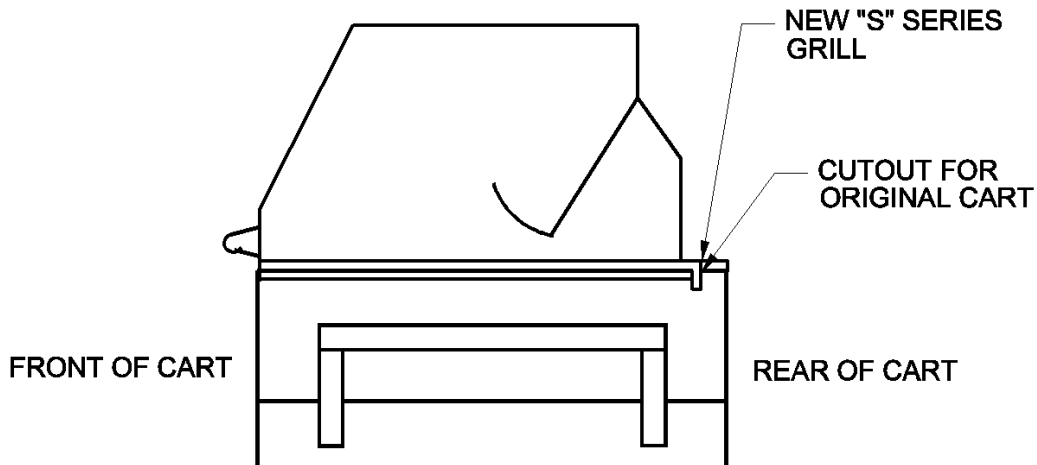
In order to improve the stability of grill/cart installations, modifications have been made to the "S" Series grill and cart. Extra support has been added to the outside trim of the grill head to provide more stability around the perimeter of the unit. A slot has been added to the cart to provide a positive fit/location for the grill head. This gives the grill head a more secure seat and provides solid support.

**IMPORTANT:** Both grills (non-"S" model and "S" model) will fit on the new "S" Series carts; the "S" Series grills (manufactured before 3/05/99) will fit non-"S" carts when modified as illustrated below.

**All "S" Series 30" grills manufactured after 3/19/99 and all 41"/53" grills manufactured after 3/05/99 will fit both carts without modifications.**

## MODIFICATIONS

Attached are copies of templates for the 30" and 41"/53" carts. Attach the template to the rear corner, cutting the slot in cart to allow for the added support to the outside trim.



# Service Bulletin

No: 99-07

Date: 8/25/99

## MODEL NUMBER

VGBQ GAS GRILLS

## WIND BREAK

Please be advised that in the Use and Care Manual for Outdoor Gas Grills on page 5, item 18 it states "When Cooking in windy conditions, provide a wind break.

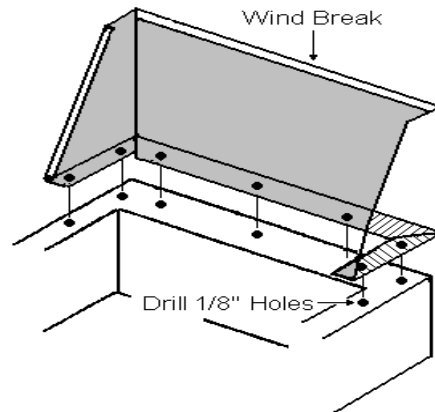
A wind break is now available for 30" W. \41" W. \53" W. models.

## PARTS

Parts can be ordered from your local parts distributor.

### WIND BREAK ASSEMBLIES

- |          |  |
|----------|--|
| G5004562 | Wind Break Assembly<br>30" W. Models                   |
| G5004563 | Wind Break Assembly<br>41"W. with/without side burner  |
| G5004564 | Wind Break Assembly<br>53" W. with/without side burner |



1. Mount windbreak to rear of grill.
2. Drill (7) holes on each side.
3. Install screws securing windbreak to grill.

# Service Bulletin

No: 2000-03

Date: 3/08/00

## MODEL NUMBER

SCS32-SS 30" Grill Cart

## GRILL HEAD AND CART INSTALLATION

Please note the following modifications required for installing 1997-1998 model and 1999 "S" Series grill heads on the new SCS32-SS 30" grill cart.

## MODIFICATIONS

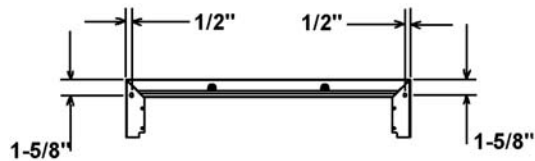


Figure 1

Drill 1/4" hole in left and right rear side of landing ledge to dimensions in Figure 1.

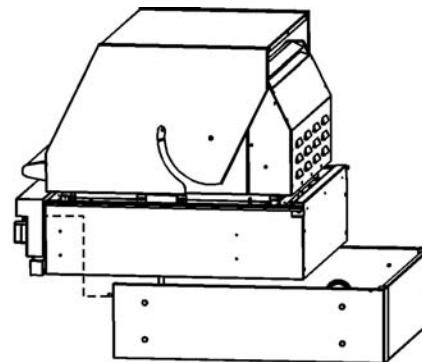


Figure 2

With a minimum of two (2) people, place the grill in the cart with about 3 to 4 inches hanging out the front. Push the cart back making sure the pins in the cart align with the slots on the backside of the landing ledge.

## Parts Bulletin

No: 2000-5

Date: 07/12/00

### Model Number

VGBQ30"/41"/53"/60" Gas Grill

### Replacement Stainless Steel Burner Kit

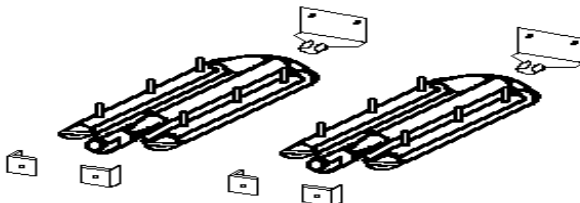
The cast iron (PA080035) Cast "H" burner is now obsolete. All orders for PA080035 Cast "H" burner will substitute to G3204548 stainless burner kit.

Order stainless burner kit number G3204548 from your local parts distributor.

### Replacement Instructions

#### STAINLESS STEEL BURNER KIT

Stainless Burner Replacement Assembly (G3204548)  
includes Burner, Mounting Brackets and hardware.



Instructions for installing stainless steel burner kit.

1. Remove cast iron burners and rear burner bracket.
2. Install new rear burner bracket using original screw holes.
3. Position left front bracket at upper left of orifice opening at front inside of grill box, with clearance hole in bracket positioned up. The smaller hole would face up, with angle toward rear of grill.
4. Holding bracket in position, mark hole location and drill hole using 1/8" drill bit suitable for stainless steel. Or you can use TEK screw provided in kit for drilling hole.
5. Repeat for right side front bracket.
6. Install burner resting on top of all 3 brackets.
7. Install screws through front burner holes, securing burner to brackets.
8. Position burner shield over burner studs and secure with nuts provided.
9. Repeat for each burner.

CHECK EACH BURNER FOR PROPER AIR MIXTURE AND ADJUST SHUTTERS AS NEEDED.

## Viking Preferred Service

Viking Range Corporation • 5601 Viking Road-CR525 • Greenwood, Mississippi (MS) • 38930 • (662) 451-4133 • Fax: (662) 451-4386

### Service Bulletin

No: 2001-05

Date: 5/15/2001

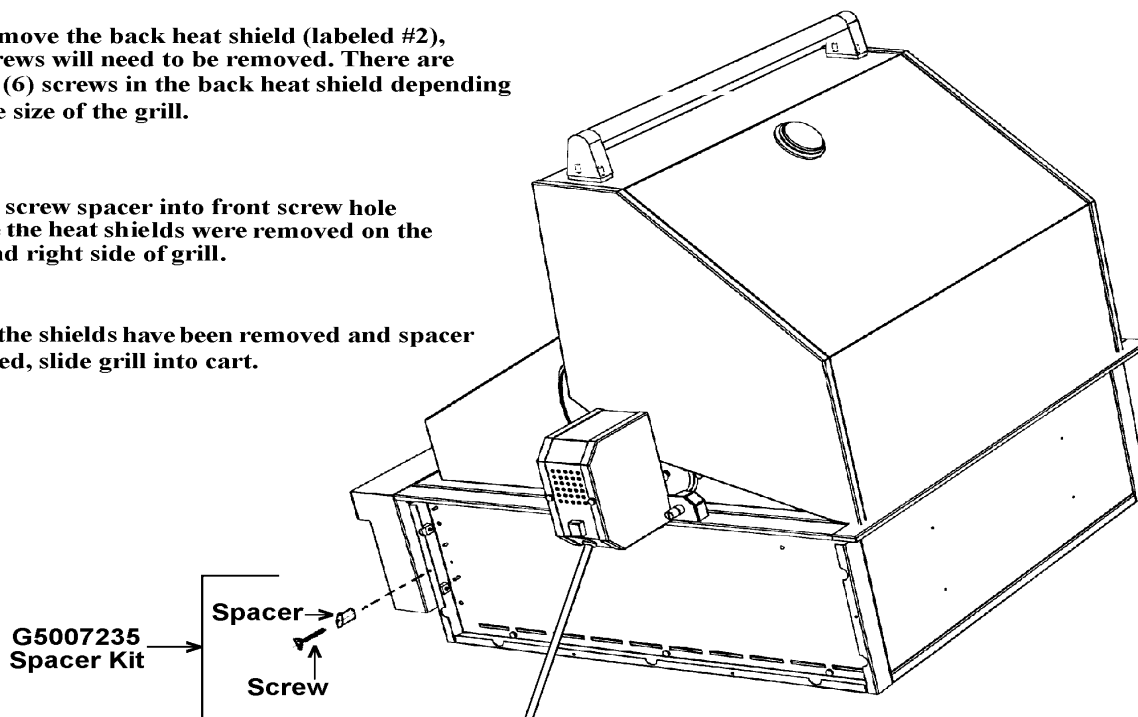
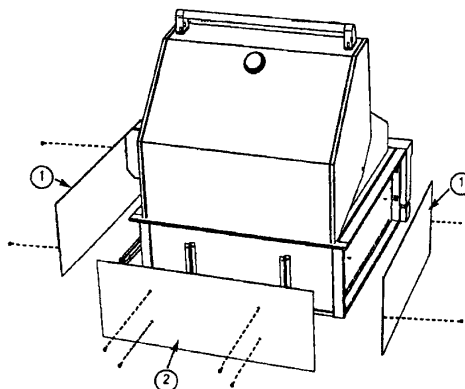
#### Model Numbers

All VGBQ "T" Series Grills

#### Installation of the grills onto the carts

To install the grill on the cart, remove the side heat shields and back heat shield on the grill as illustrated below.

1. To remove the side heat shields (Labeled #1), remove the two (2) screws - one in front and one in back.
2. To remove the back heat shield (labeled #2), all screws will need to be removed. There are (4) to (6) screws in the back heat shield depending on the size of the grill.
3. Insert screw spacer into front screw hole where the heat shields were removed on the left and right side of grill.
4. After the shields have been removed and spacer installed, slide grill into cart.



## *Viking Preferred Service*

Viking Range Corporation • 5601 Viking Road-CR525 • Greenwood, Mississippi (MS) • 38930 • (662) 451-4133 • Fax: (662) 451-4386

### **Service Bulletin**

No: 2001-12

Date: 5/14/01

### **Changes to installation instructions for “T” Series Outdoor Gas Grill and Cart**

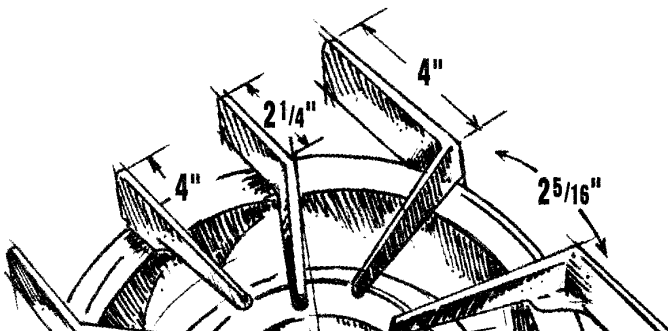
Attached are copies of pages with changes and additions to the installation instructions for outdoor gas grills and carts.

F20054-7 – Page 7 of grill installation instructions including changes for built-in applications.  
**\*\*\* Important: Cabinet cutout must have a solid bottom to support the full weight of the unit.**

F20074-2 – Page 2 of cart installation instructions including instructions to level side shelves.

To level the side shelves, lift the shelf so the shelf adjustment screw is visible between the two supports on the shelf brackets. Turn the screw with a  $3/32$ " (.2 cm) allen wrench counter clockwise to raise the shelf and clockwise to lower the shelf.

2001-05 Service Bulletin – To install the grill on the cart, remove the side shields and back shields on the grill. Insert screw and spacer (G5007235) into front screw hole where the heat shields were removed on the left and right side of grill. Slide grill into cart.



**VIKING**  
Professional Performance for the Home

## *Viking Preferred Service*

Viking Range Corporation • 5601 Viking Road-CR525 • Greenwood, Mississippi (MS) • 38930 • (662) 451-4133 • Fax: (662) 451-4386

### **Service Bulletin**

No: 2001-22

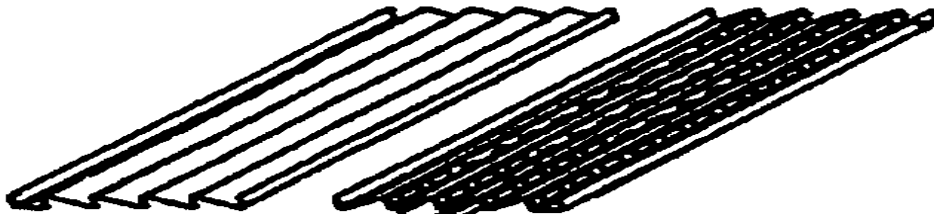
Date: 6/07/01

**RE:** Flavor Generator Grids

**Models:** VGBQ "S" Series Gas Grill

Please note replacement flavor generator plates for "S" Series Gas Grills have changed from porcelain coating to stainless steel. The parts department will substitute the new stainless steel flavor grid (B2007409) for all orders received for the old style (E9102871) porcelain grid.

The new B2007409 stainless steel flavor grids can be ordered from your local parts distributor.



## Viking Preferred Service

Viking Range Corporation • 5601 Viking Road-CR525 • Greenwood, Mississippi (MS) • 38930 • (662) 451-4133 • Fax: (662) 451-4386

### Service Bulletin

No: 2001-25

Date: 7/12/01

### Models: All "S" and "T" Series Grills

It has come to our attention there is some confusion on ordering parts for our outdoor grill products and which models that they fit. This has been primarily noticed with the canopy assemblies, canopy skins, warming racks, and spit rods for the rotisseries. The "S" and "T" series grills have three different size possibilities for these parts that fit the entire model line. The chart below illustrates which model each part fits and should eliminate any future confusion.

#### "S" Series

	<b>Canopy Assy.</b>	<b>Canopy Skin</b>	<b>Warming Rack</b>	<b>Spit Rod</b>
VGBQ3002RS / VGBQ4122RS	G3204933**	B2004931(SS) or B9004931*	PB060032	PB060033
VGBQ4103RS / VGBQ5323RS	G3204916**	B2004917(SS) or B9004917*	PB060027	PB060031
VGBQ5304RS	G3204932**	B2004930(SS) or B9004930*	PB060037	PB060036

#### "T" Series

	<b>Canopy Assy.</b>	<b>Canopy Skin</b>	<b>Warming Rack</b>	<b>Spit Rod</b>
VGBQ3002RT / VGBQ4122RT	G3205304**	B2005298(SS) or B9005298*	PB060057	PB060054
VGBQ4103RT / VGBQ5323RT	G3205303**	B2005297(SS) or B9005297*	PB060056	PB060053
VGBQ5304RT	G3205302**	B2005296(SS) or B9005296*	PB060050	PB060052

\* FG,GG,VB

\*\* FG,GG,SS,VB

Post Office Drawer 956 • 111 Front Street • Greenwood, Mississippi 38930 USA • Telephone (662) 455-1200 • FAX (662) 453-7939

website: <http://www.vikingrange.com>.



*Viking Preferred Service*

Viking Range Corporation • 5601 Viking Road-CR525 • Greenwood, Mississippi (MS) • 38930 • (662) 451-4133 • Fax: (662) 451-4386

**Service Bulletin**

No: 2001-31

Date: 8/1/01

**Complaint:** infrared burner for rotisserie will not stay lit when knob released.

**Models:** VGBQ 30" / 41" / 53" T Grills

**Correction:** Continue to order the originally assigned part number – **PA010088**. The knob for this burner has been modified to resolve this issue.

We are shipping a quantity of these knobs to our product distributors as a means to resolve any immediate customer issues.

## Viking Preferred Service

Viking Range Corporation • 5601 Viking Road-CR525 • Greenwood, Mississippi (MS) • 38930 • (662) 451-4133 • Fax: (662) 451-4386

### Service Bulletin

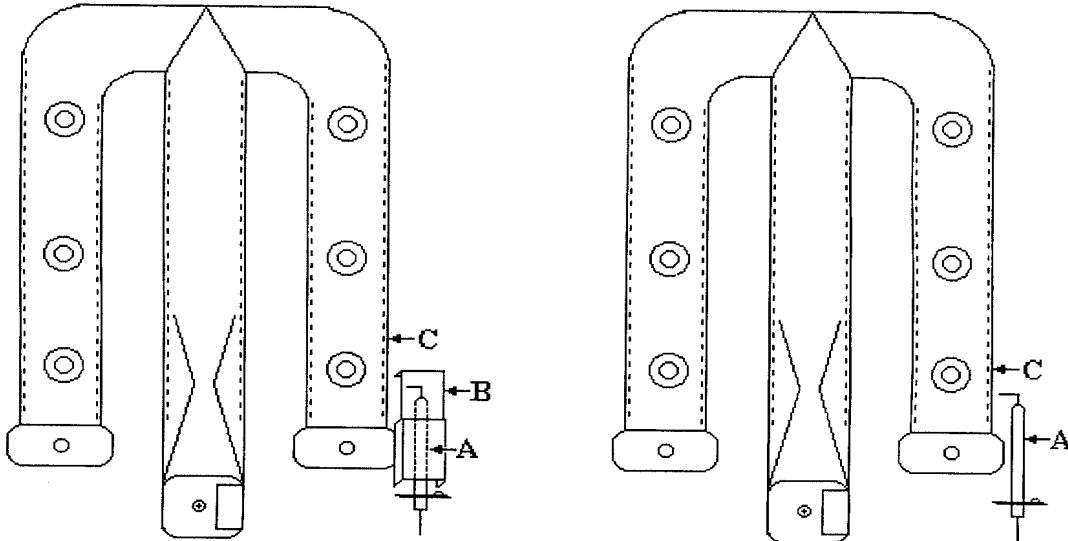
No: 2001-40

Date: 9/28/01

**Models:** VGBQ3002RS, VGBQ4103RS, VGBQ4122RS, VGBQ5304RS,  
VGBQ5323RS

**Complaint:** Slow or delayed ignition

**Correction:** Adjust the electrode to the burner.



### Instructions for adjustment:

1. Remove the grill grates.
2. Remove the flavor grids.
3. Locate the igniter electrodes and shield.
4. Remove the shield (B) and discard (Removing shield improves spark ignition direct to burner).
5. Adjust the electrode (A) toward an open port on the burner (C).
6. Reassemble the flavor grids and the grill grates.
7. Relight each burner several times to be sure that the burner relights each time.

Please communicate this to all personnel in your organization.

*Viking Preferred Service*

Viking Range Corporation • 5601 Viking Road-CR525 • Greenwood, Mississippi (MS) • 38930 • (662) 451-4133 • Fax: (662) 451-4386

**Service Bulletin**

No: 2001-45

Date: 12/17/01

**Models:** VGBQ3002RS, VGBQ4103RS, VGBQ4122RS, VGBQ5304RS, VGBQ5323RS

**Complaint:** Grill burners go out between low and medium settings.

**Correction:** Use replacement grill valve.

The replacement grill valve (PA010112) will automatically be subbed for the original valve (PA010070) for all orders.

Please communicate this to all personnel in your organization.

## Service Bulletin

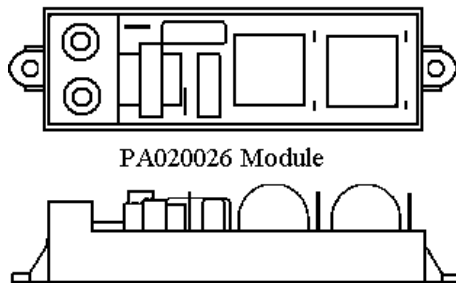
No: 2002-08

Date: 03/15/02

Re: BBQ Spark Module

Model: VGBQ "T" Series Gas Grill

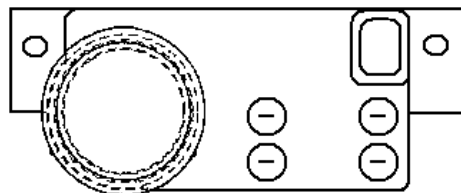
The spark module was changed in production to part #PA020036 beginning January 1, 2002. The PA020036 spark module requires a different mounting bracket and will not fit the "T" series products manufactured before Jan. 1, 2002.



PA020026 Module

Original spark module  
Part # PA020026.

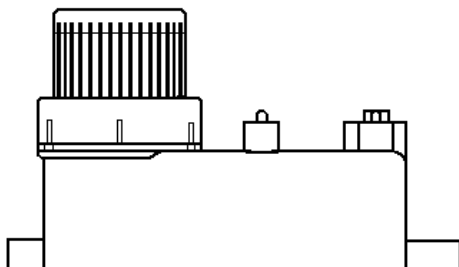
Fits all "T" Series grills  
manufactured before  
and after Jan. 1, 2002.



PA020036 Module

Current spark module  
Part # PA020036.

Fits all "T" Series  
grills manufactured  
after Jan. 1, 2002



*Viking Preferred Service*

Viking Range Corporation • 5601 Viking Road-CR525 • Greenwood, Mississippi (MS) • 38930 • (662) 451-4133 • Fax: (662) 451-4386

**Service Bulletin**

**No:** 2002-18

**Date:** 06/27/02

**Complaint:** Infrared burner for rotisserie will not stay lit when knob released.

**Models:** VGBQ 30" / 41" / 53" T Grills

**Correction:** Continue to order the originally assigned part number – **PA010088**. The knob for this burner has been modified to resolve this issue.

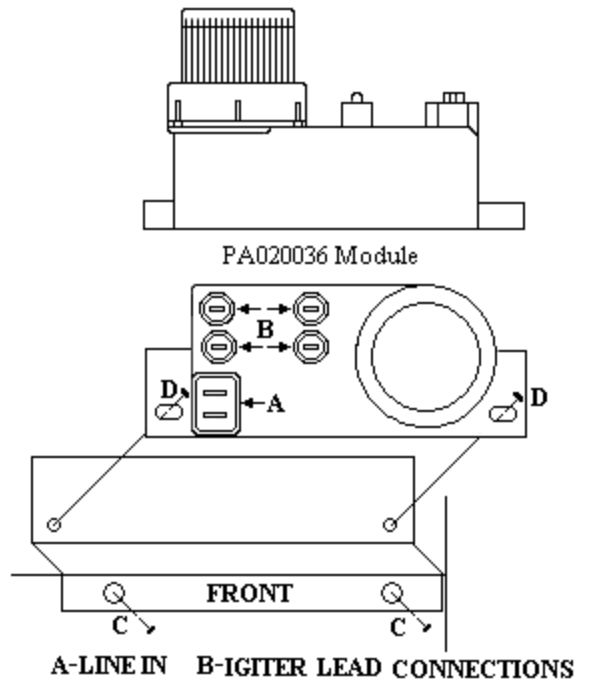
Please communicate this to all members of your organization.

**OUTDOOR GRILLE “T” MODEL  
KIT # 5007971**

**Kit consists of:**

<b>PA020036 Module</b>	<b>1</b>
<b>B2009896 Bracket – Spark Module</b>	<b>1</b>
<b>PD020055 Mounting Screws</b>	<b>2</b>
<b>F90134 Instruction Sheet</b>	<b>1</b>

1. Remove burner control knobs.
2. Remove the four (4) screws that hold the control panel in place.
3. Remove the lower bezel screw that aligns the control panel to the manifold.
4. Disconnect the wires to the push button igniter switch.
5. Lay aside the control panel being careful not to scratch the panel or mar the customers property.



6. For easy access to the Spark module and bracket, remove the drip tray.
7. Remove the two (2) screws holding the Spark module to the mounting bracket. Pull the module toward you and disconnect the wires.
8. Bend the existing mounting bracket down toward the front of the BBQ to gain access to the screws that hold the bracket to the burner box.
9. Using a stubby Phillips screwdriver or an offset Phillips screwdriver to remove the two (2) screws. Remove the bracket and discard.
10. Mount the new bracket in the same location as the discarded bracket. Drill two (2) holes ( C ) to secure the bracket to the burner box.
11. Mount the new Spark module on the bracket using the longer screws packed with the kit.
12. Place the igniter wires on the new Spark module. (B) Spark igniter lead connection and (A) Line connection. (Pressing any Spark button causes all igniters to spark.)
13. To restore grille to working condition. Reverse disassembly procedures.

**Note: The green ground wire must be attached beneath one of the screws that mount the module to the mounting bracket.**