

Smart Drive[®] Electronic Washing Machine

Model

GWL11
IWL12

ecosmart



PRODUCTS

Brand Fisher & Paykel

Voltage 110-115V 60Hz

Model **Code** **(Phase 6 - Series 11)**

GWL11 96151

IWL12 96154

Fisher & Paykel Customer Services
27 Hubble
Irvine
California
CA92618 USA
Tel: 888-936-7872
Fax: 949-790-8913
Email: parts.order@FisherPaykel.com

CONTENTS

TOP DECK AND ELECTRONICS.....	5
WRAPPER.....	9
AGITATOR AND HOSES.....	11
INNER AND OUTER BOWLS AND PUMP.....	13
MOTOR.....	15
NOTES.....	18

GUIDE TO USING THIS MANUAL

The model(s) and/or series covered by this manual are listed on the front cover.

The information detailed in this manual is subject to change without notice, the latest version is indicated by the reprint date and replaces any earlier editions.

The front cover picture shows the type of product and may not necessarily be an exact image of the models covered by the manual.

Part References

Where a Model is shown, the part is exclusive to the Model(s) stated. Common parts relating to a part reference are applicable to all other Model(s) which use the particular item.

Kit Parts

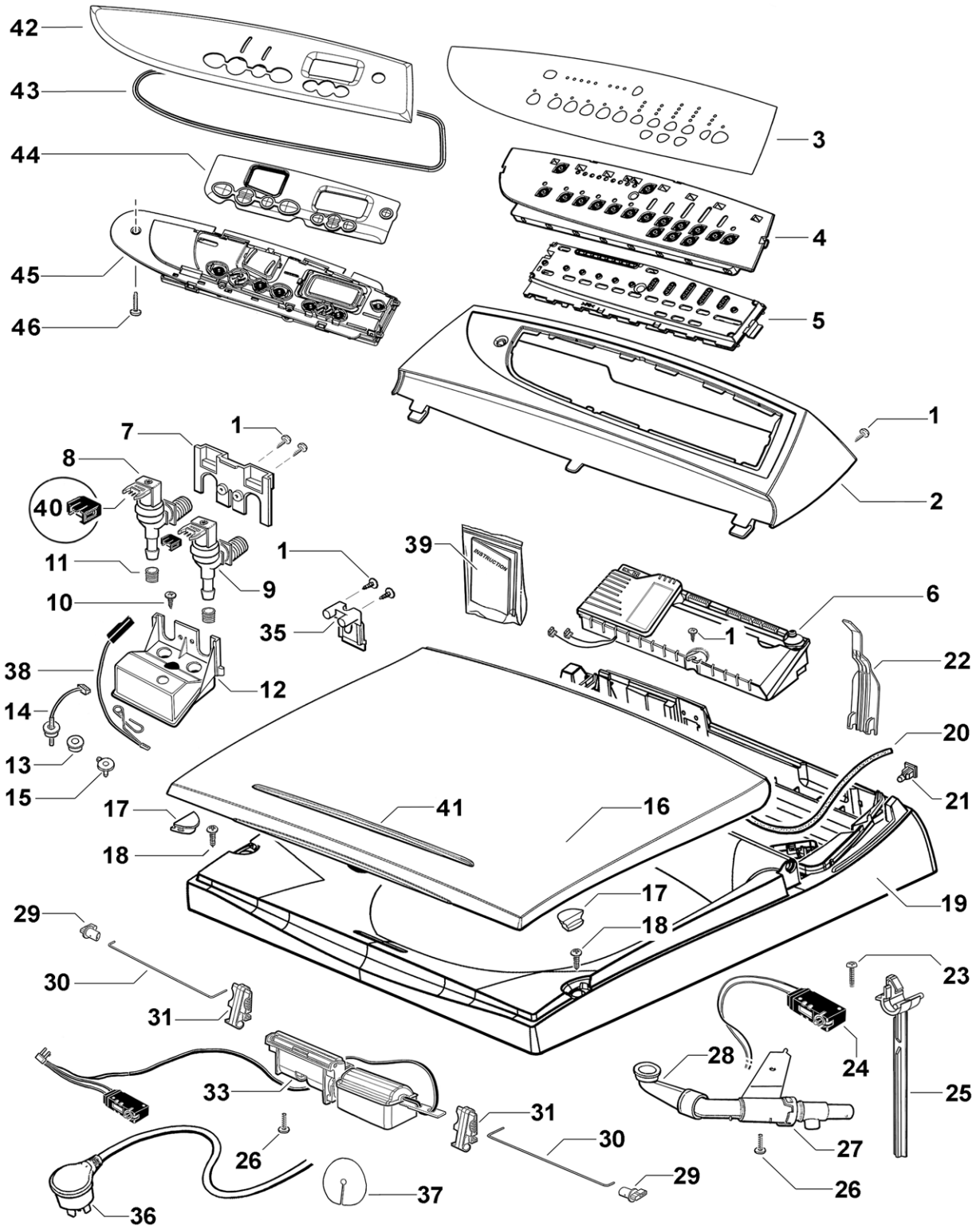
The components shown in *italics with a part number* are those parts in the kit which are available also as separate items. In addition, some parts may be supplied with this kit which are not available as separate items and are therefore either not listed or a part number is not shown against the part description this manual.

All details relating to Technical Bulletins or Notes are shown on a dedicated page. The Technical Bulletin Number shown relates to the bulletin version which is produced for the Service Centres.

Parts List Key

NOT USED	As a part, indicates the diagram part reference is not used in this manual.
#	Beside the part number, indicates the part is no longer available.
<i>italics</i>	Kit components shown in <i>italics</i> are with some exceptions also available separately.
*	Indicates a technical bulletin or note exists for the part or part reference.
NI	As a part reference, indicates the part is not illustrated on the diagram.

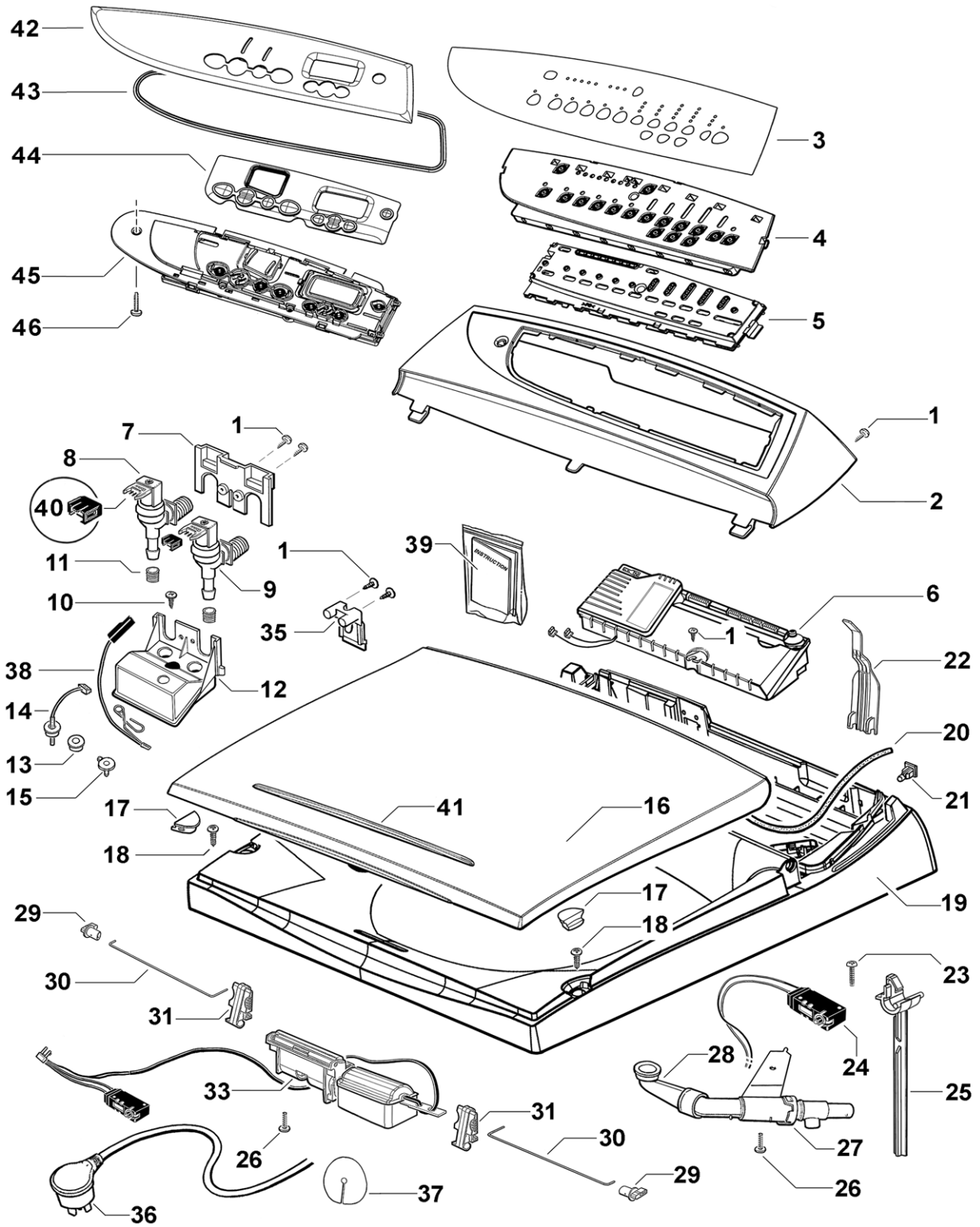
TOP DECK AND ELECTRONICS



TOP DECK AND ELECTRONICS

REF	PART	DESCRIPTION	MODEL GWL11, IW12
1	611933P	SCREW ST 8X5/8 TA MTS PH ZNPL (PKT 10)	
2	420115	CONSOLE PRINTED GWL11	
3	420068	PANEL TOUCH GWL11 US FP WH ecosmart	
4	426819	INSERT CONSOLE GW11	
5	420090P	DISPLAY GW11	
6	420094USP	CONTROLLER SD11 120V ECO (Will Supersede To 420377USP)	
	420377USP	CONTROLLER SD12 120V ECO	Phase 6 Series 11
7	425339	BRACKET VALVE SD2	
8	420238P	VALVE INLET PROPORTIONAL 24V 16L NH	(Yellow Body)
	<i>Includes 425251</i>	<i>SEAL INLET VALVE</i>	
9	420237P	VALVE INLET DIGITAL 24V 10L NH	(Yellow Body)
	<i>Includes 425251</i>	<i>SEAL INLET VALVE</i>	
10	* 611986P	SCREW ST 8X20MM HILO PAN PH X1(PKT 10)	
11	425251	SEAL INLET VALVE	
12	426464	CHAMBER INLET ASSY SD200	
13	426752	SEAL THERMISTOR SS	
14	479193P	KIT THERMISTOR & SEAL UL	
	<i>Includes 426949</i>	<i>THERMISTOR ASSY SD200 UL</i>	
	<i>426752</i>	<i>SEAL THERMISTOR SS, 479165 LEAFLET THERMISTOR SD200</i>	
15	420416	SEAL CHAMBER INLET BLANKING (Replaces 479181)	
	479181	KIT THERMISTOR BLANK	
	<i>Includes 426752</i>	<i>SEAL THERMISTOR SS, 426759 BLANK THERMISTOR 4.0/4.5mm (SS by 420416)</i>	
16	426796P	LID L11 WHITE PKD	
17	426793P	BUFFER LID SD11 (PKT 2)	
18	611810P	SCREW ST 8X5/8 MSH PAN PH SS430 (PKT 10)	
19	426778	TOP DECK L11 WHITE	
20	426273	GASKET CONSOLE FOAM CUT	
21	422402P	NUT SNAP IN SPIRE P0071/05/01/00	
22	420133	COVER WIRING TOPDECK SD11	
23	611801P	ST M3X18 PLASTITE PAN PH ZNPL (PKT 10)	
24	420429	LIDLOCK & HARNESS ASSY <i>Includes SEALED MICROSWITCH</i>	
25	426474	LEVER BALANCE CUPPED	
26	611808P	SCREW ST 8X1/2 PAN PH SS 403S (PKT 10)	
27	420143	NOZZLE ASSY SD11	
28	425974	ELBOW NOZZLE SD11	
29	426825	HINGE LID SD11	
30	No Longer Required	SPRING LID TORSION SD11 (was 420040)	
31	No Longer Required	RETAINER TORSION LID SD11 (was 420039)	
33	420429	LIDLOCK & HARNESS ASSY	
35	426113	CLAMP MAINS HARNESS UL LT GREY	
36	426699	CORD SET UL SD200	
37	420262	SHIELD MAINS HARNESS	
38	426975	HARNESS EARTH THERMISTOR 4.0	
39	420600	LEAFLET SERVICE SUMMARY US-CA Replaces 420354	GWL11, IWL12
40	420479P	CLIP RETAINING RAST CONNECTOR INLET VALVE (PKT 2)	
41	420109	GRIP LID SD11	

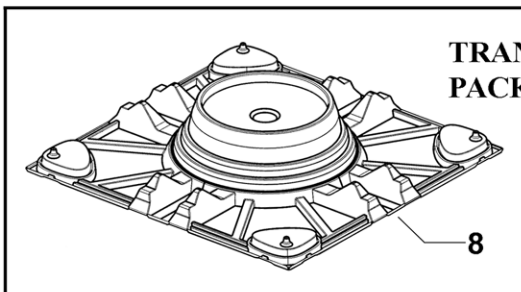
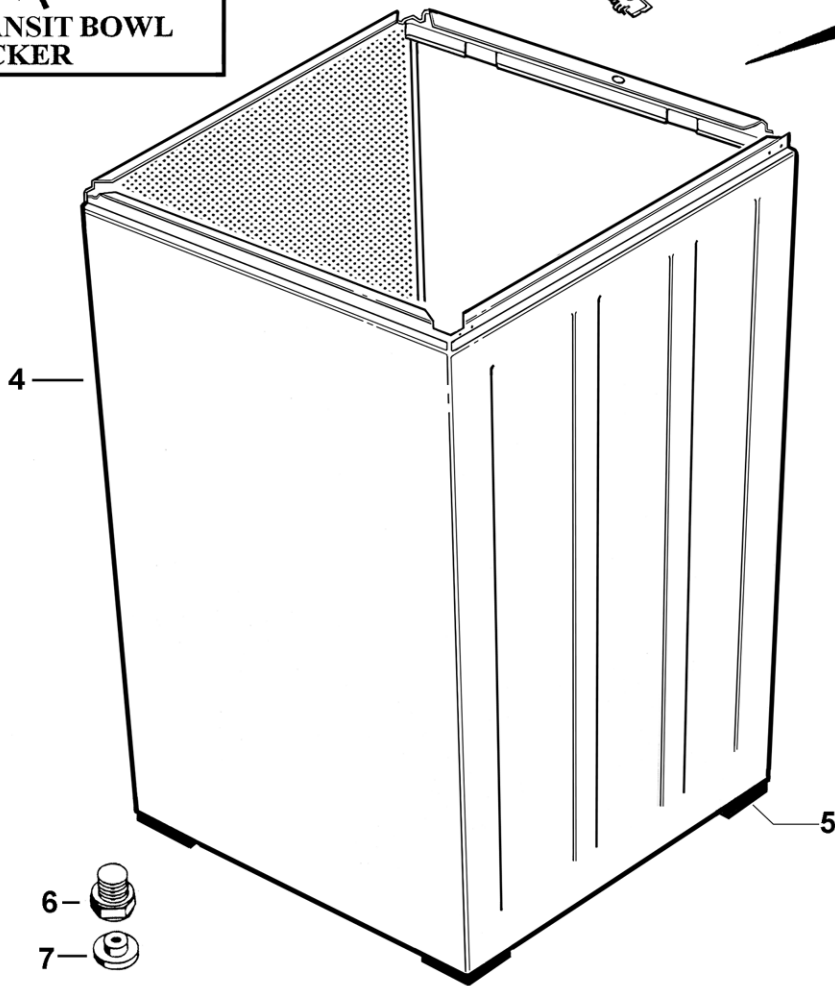
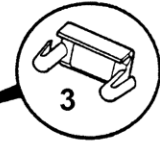
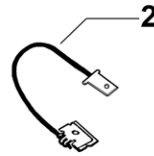
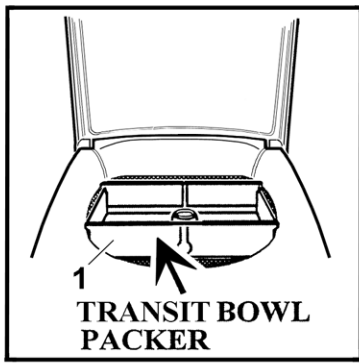
TOP DECK AND ELECTRONICS



TOP DECK AND ELECTRONICS

REF	PART	DESCRIPTION	MODEL IWL12
42	420155	FACIA ASSY PRINTED IW11, IWL12 ECO	
43	420099	SEAL FACIA IWL12	
44	426785	BUTTONS IWL12	
45	420374P	DISPLAY IWL12	
46	611803P	SCREW ST 8X25 T25 PAN PH (PKT 10)	

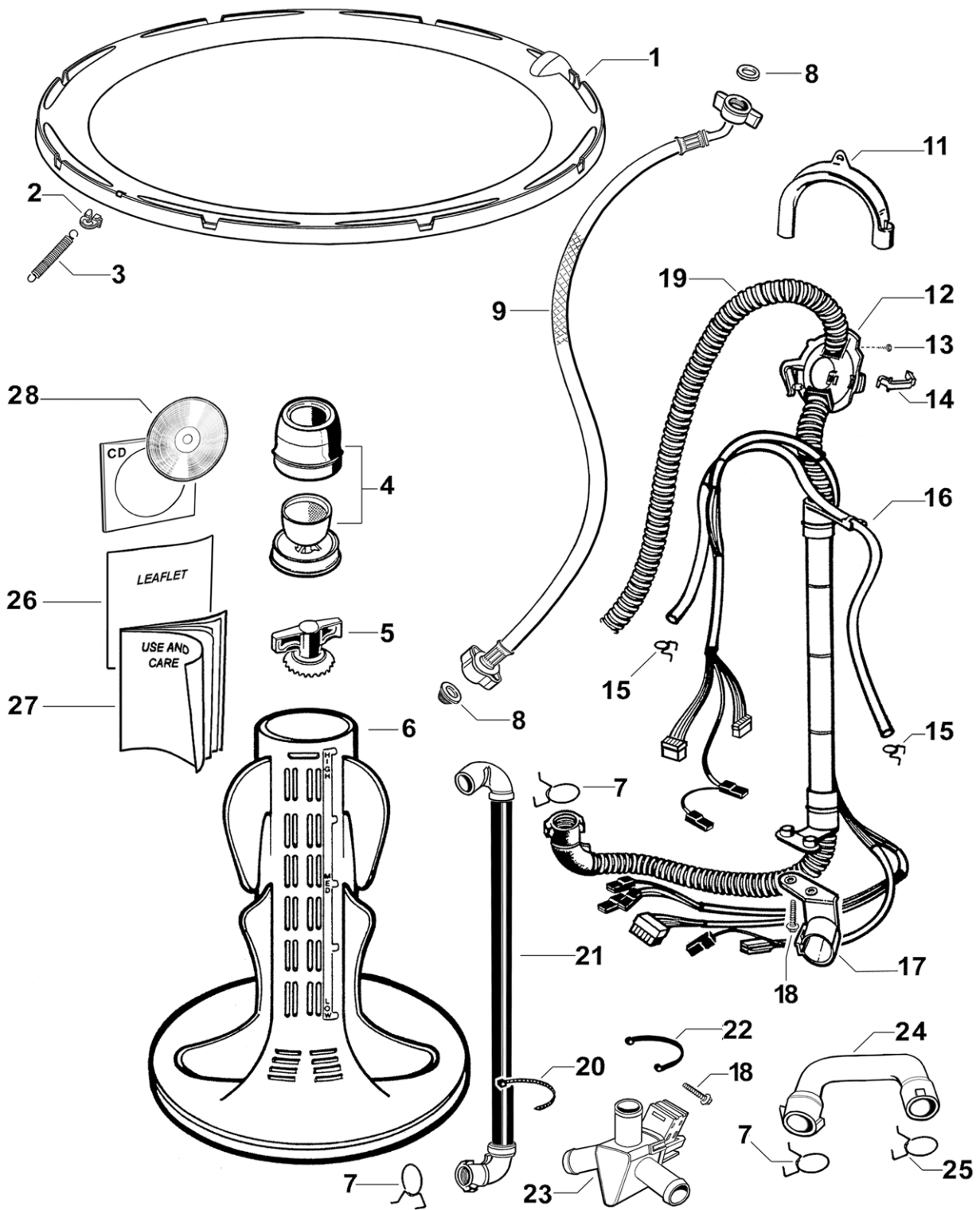
WRAPPER



WRAPPER

REF	PART	DESCRIPTION	MODEL GWL11, IW12
1	420071	PACKER BOWL L11	
2	426512	WIRE CABINET EARTH SD200	
3	426058	COVER EARTH CLIP	
4	426663P	WRAPPER ASSY 7 PKD	
	<i>426058</i>	<i>COVER EARTH CLIP</i>	
	<i>426153</i>	<i>FOOT LEVELLING</i>	
	<i>426621</i>	<i>WIRE CABINET EARTH CLIP</i>	
	<i>426657</i>	<i>CORNER CABINET BOTTOM</i>	
5	426657	CORNER CABINET BOTTOM	
6	472969P	KIT FOOT & INSERT	
	<i>426153</i>	<i>FOOT LEVELLING</i>	
	<i>426154</i>	<i>INSERT FOOT</i>	
7	479183	INSERT FOOT (PKT X4)	
	<i>426154</i>	<i>INSERT FOOT</i>	
8	420051	PACKER BOTTOM L VAC FORMED	

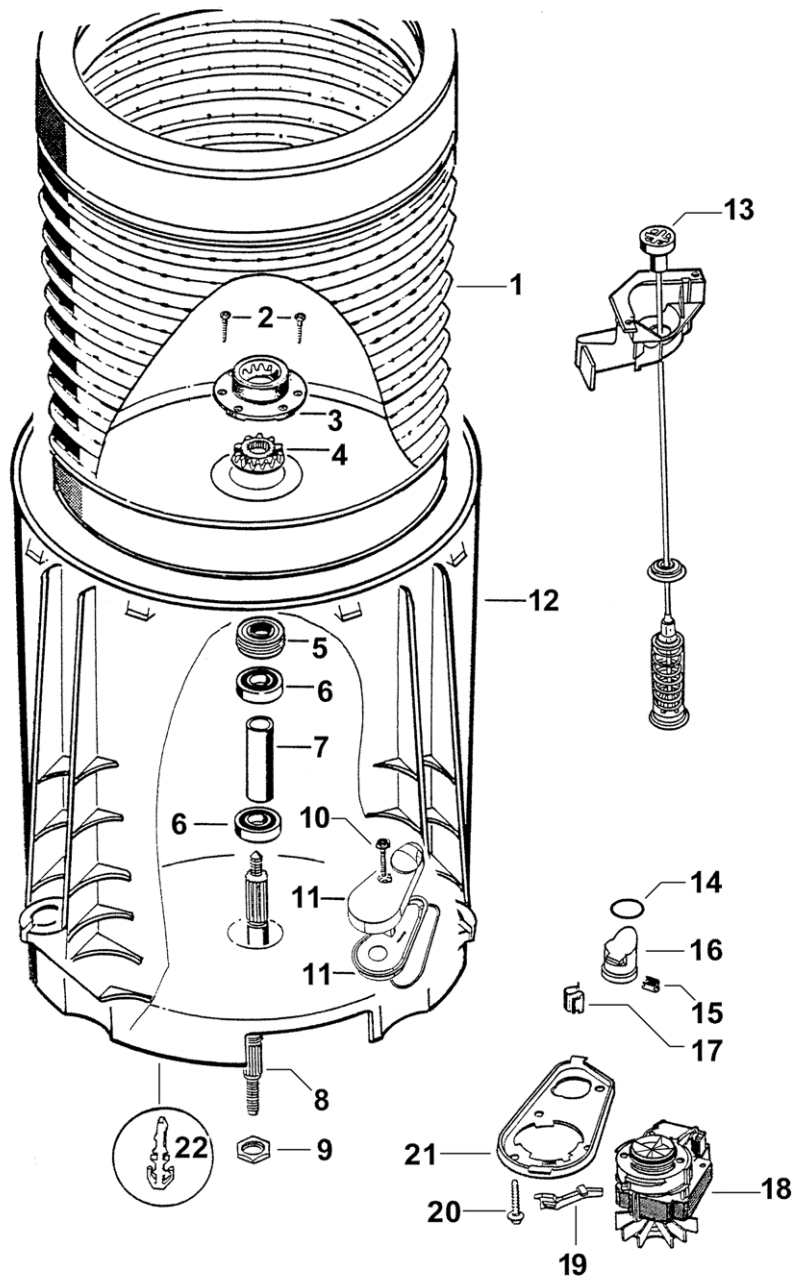
AGITATOR AND HOSES



AGITATOR AND HOSES

REF	PART	DESCRIPTION	MODEL GWL11, IW12
1	426809P	NECK RING ASSY L11	
	<i>426812</i>	<i>NECK RING L11 LT GREY</i>	
	<i>420197</i>	<i>CLIP BIAS SPRING</i>	
	<i>420122</i>	<i>SPRING BIAS</i>	
2	420197	CLIP BIAS SPRING SD11	
3	420122	SPRING BIAS SD11	
4	426993P	DISPENSER ASSY WHITE	
5	425059	NUT AGITATOR	
6	425025P	AGITATOR PKD	
7	422500	CLAMP HOSE 031.5	
8	420016P	KIT FILTER / CONNECTOR SEAL (2 EACH)	
	<i>420016</i>	<i>FILTER INLET MIFLEX</i>	
	<i>420017</i>	<i>CONNECTOR SEAL MIFLEX (2)</i>	
9	420079	HOSE INLET ASSY USA NH	
	<i>420016</i>	<i>FILTER INLET MIFLEX</i>	
	<i>420017</i>	<i>CONNECTOR SEAL MIFLEX (2)</i>	
11	422808	GUIDE OUTLET HOSE	
12	426455	FIXTURE DRAIN HOSE	
13	611933P	SCREW ST 8X5/8 TA MTS PH (PKT 10)	
14	425487	CLIP FIXTURE DRAIN HOSE	
15	425611	CLAMP HOSE 08.5 TALL GRIP	
16	425299	TUBE PRESSURE SENSOR SD2	
17	425503	BRACKET DRAIN HOSE	
18	425150P	SCREW ST 1/4 X 1"PLASTITE (PKT 10)	
19	420126	HOSE & HARNESS ASSY SD11 ECO	
20	621954	TIE T30R 150X3.5 HAMER	
21	426863	HOSE RECIRC ASSY SD10	
22	426958	CLAMP DIVERter VALVE	
23	426862P	VALVE DIVERter SD10	
	<i>420301</i>	<i>COVER DIVERter VALVE</i>	
	<i>420311</i>	<i>LABEL – "DO NOT REMOVE COVER FROM VALVE"</i>	
24	426695	HOSE PUMP DIVERter	
25	422503	CLAMP HOSE 028	
26	Part of 420590	LEAFLET INSTALLATION US (Replaces 420264)	
27	420590	BOOK USE & CARE US-CA,GW-IW Replaces 420350, 420294	
28	420353	COMPACT DISC GW-IW12 US	
NI	479314	CARD WARRANTY REGISTRATION ALL PRODUCTS & MKTS	

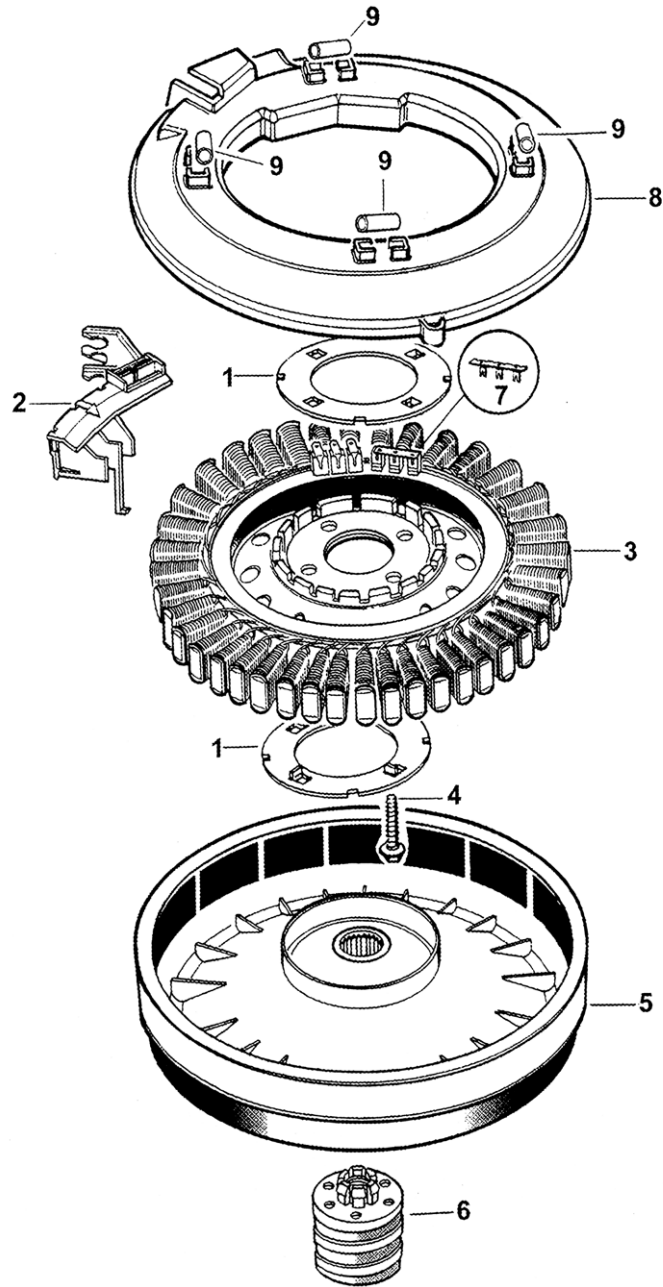
INNER AND OUTER BOWLS AND PUMP



INNER AND OUTER BOWLS AND PUMP

REF	PART	DESCRIPTION	MODEL GWL11, IW12
1	426099P	BOWL (BASKET) INNER 700 ASSY PKD	
	<i>425080</i>	<i>SPLINE DRIVEN</i>	
	<i>425131P</i>	<i>SCREW CLUTCH X10 PKD</i>	
	<i>425596</i>	<i>SPLINE DRIVE ASSY</i>	
2	425131P	SCREW CLUTCH X10 PKD	
3 & 4	479318	KIT SPLINE DRIVE	
	<i>425080</i>	<i>SPLINE DRIVEN</i>	
	<i>425596</i>	<i>SPLINE DRIVE ASSY</i>	
5	425009P	LIPSEAL PKD	
6	425006P	BEARING 6005LLU PKD	
7	425007	SPACER BEARING	
8	425013P	SHAFT PACKED	
9	425171	NUT BEARING	
10	425162P	SCREW COVER X10 PKD	
11	479188P	KIT DRAIN CAP HOOD & IMPELLOR	
	<i>425115</i>	<i>SEAL PUMP CAP</i>	
	*	<i>420319</i>	<i>IMPELLOR INSERT ASSY</i>
		<i>426939</i>	<i>CAP PUMP RIBBED</i>
		<i>426940</i>	<i>HOOD PUMP</i>
12	425925P	BOWL (BASKET) OUTER ASSY 700 PKD (Notch to be cut out for Recirculating Hose)	
	<i>425006</i>	<i>BEARING 6005LLU</i>	
	<i>425007</i>	<i>SPACER BEARING</i>	
	<i>425009</i>	<i>LIP SEAL</i>	
	<i>425115</i>	<i>SEAL PUMP CAP</i>	
	<i>425162</i>	<i>SCREW COVER</i>	
	<i>426939</i>	<i>CAP PUMP RIBBED</i>	
	<i>426940</i>	<i>HOOD PUMP</i>	
13	426750P	SUSPENSION ASSY SQUASHED 4 PACK	
14	425149	SEAL O RING PRESSURE CHAMBER	
15	613710	CLIP EDGE	
16	425097	PLUG PRESSURE CHAMBER	
17	613709	CLIP PIPE UNITED CARR FT19280-ZNPL	
18	420325P	PUMP DRAIN 110V 60Hz	
	*	<i>420319</i>	<i>IMPELLOR INSERT ASSEMBLY</i>
19	425128	CLIP PUMP RETAINING	
20	425150P	SCREW ST 1/4 X 1"PLASTITE X 10 PKD	
21	425028	BRACKET PUMP	
22	472867	CLIP WIRING OUTER BOWL	

MOTOR



MOTOR

REF	PART	DESCRIPTION	MODEL GWL11, IW12
1	426174P	CLAMP PLATE STATOR LANCED (PAIR)	
2	420296P	SENSOR ROTOR POSITION MK 2	
	<i>472867</i>	<i>CLIP WIRING OUTER BOWL</i>	
3	426454P	STATOR SD200 PKD	
4	426835P	SCREW STATOR PKT 10	
5	425620P	ROTOR FERRITE PKD	
6	425016	NUT ROTOR	
7	425104	BRIDGE TERMINAL	
8	425961	SHIELD MOTOR SD UL	
9	426145	TUBE BUFFER SHIELD UL	

NOTES

Notes

TOP DECK AND ELECTRONICS Technical Bulletins

611986P	WM030
420305	WM033

AGITATOR AND HOSES

Technical Bulletins

INNER AND OUTER BOWLS AND PUMP

Technical Bulletins

420319	WM033
--------	-------